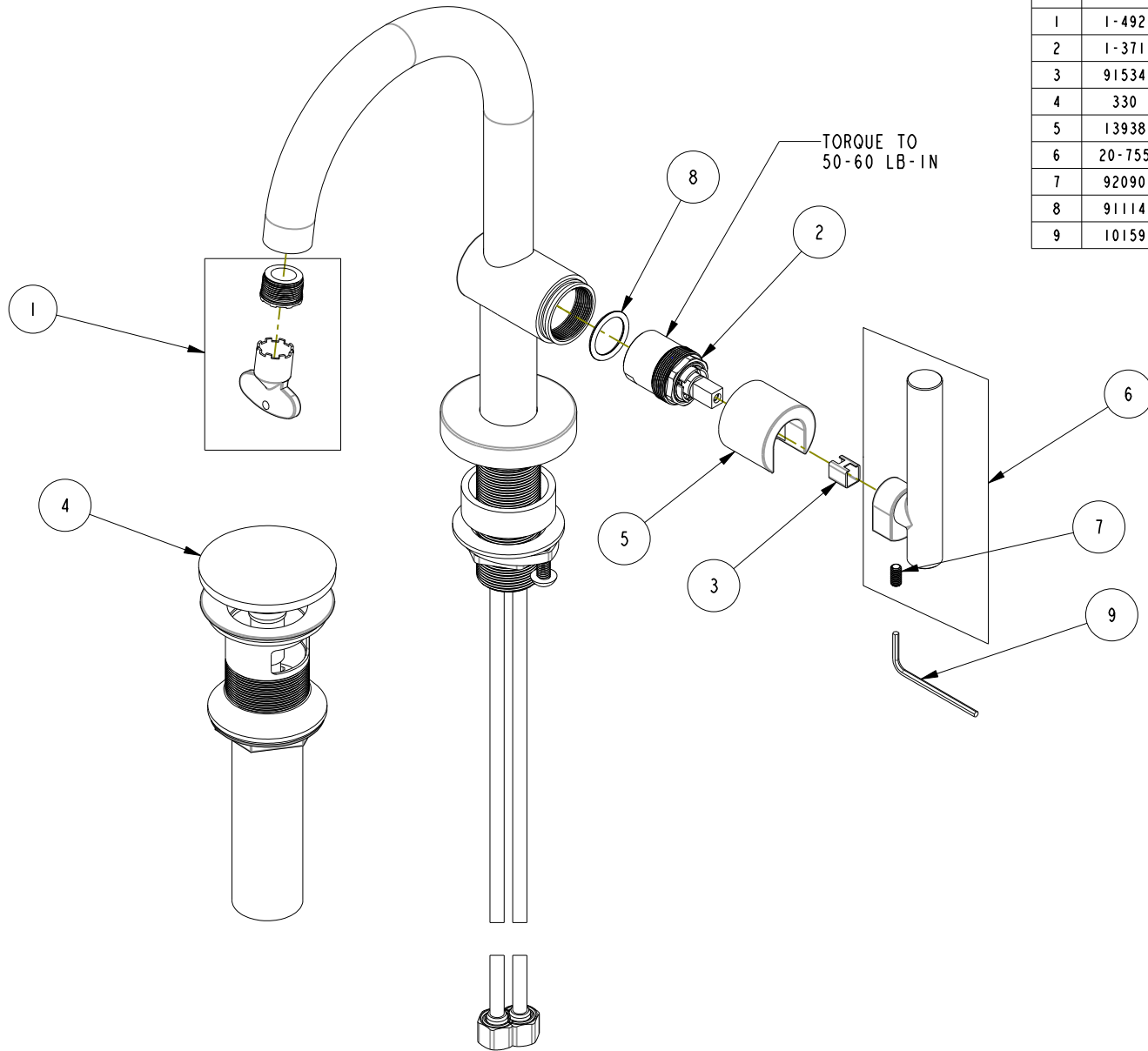


# REPLACEMENT PARTS

ITEM	PT/ASSY	SPECIFY FINISH	DESCRIPTION
1	1-492		AERATOR 1.2 GPM WITH KEY
2	1-371		CARTRIDGE
3	91534		CARTRIDGE STEM INSERT
4	330	YES	DRAIN, PUSH DOWN, W/ OVERFLOW
5	13938	YES	HANDLE HUB
6	20-755	YES	LEVER ASM
7	92090		SCRW, 10-32 X 3/8 SKT HD W/ SELF LOC
8	91114		O-RING, #2- 116, EPDM, 65-75 DURO, NSF 61
9	10159		HEX KEY, 3/32 ALLOY STEEL



**N. SANTOS**  
**3103**

REV A EN-4666 06/03/22 APPROVED RS

**NEWPORT BRASS.**

t: 949.417.5207 | [www.newportbrass.com](http://www.newportbrass.com)