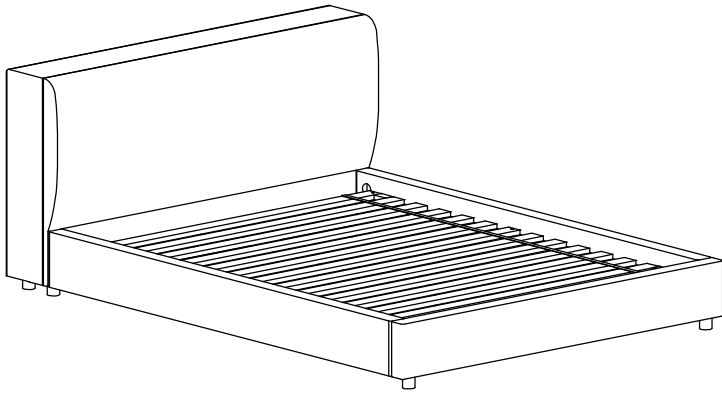






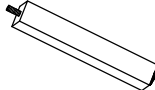


# ASSEMBLY INSTRUCTION

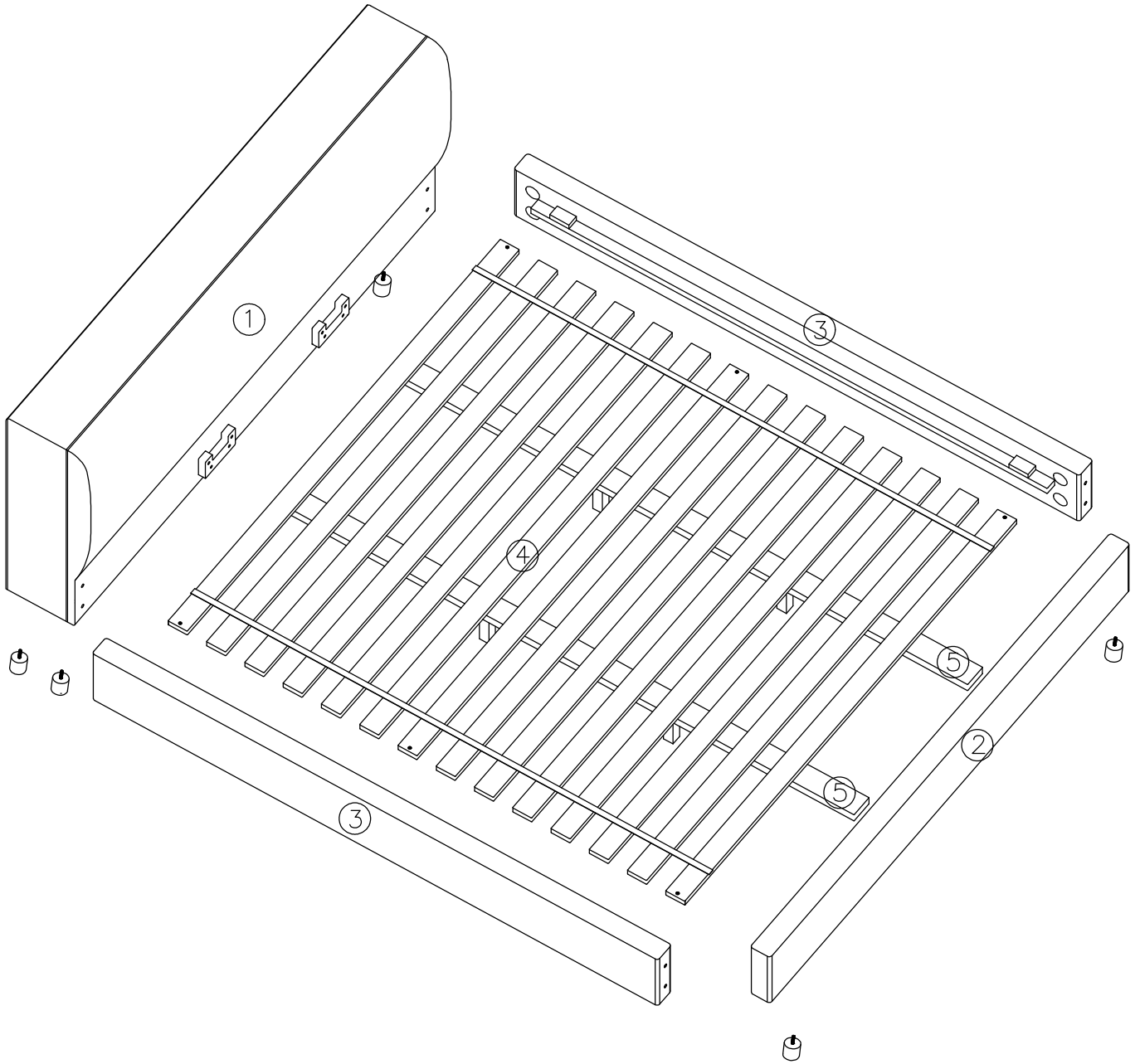
## KING BED

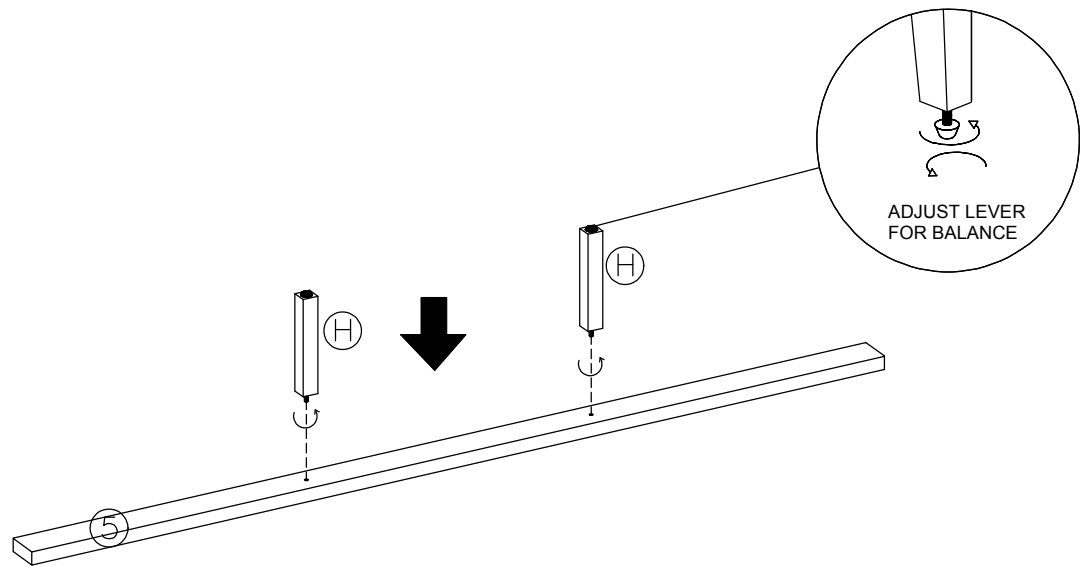
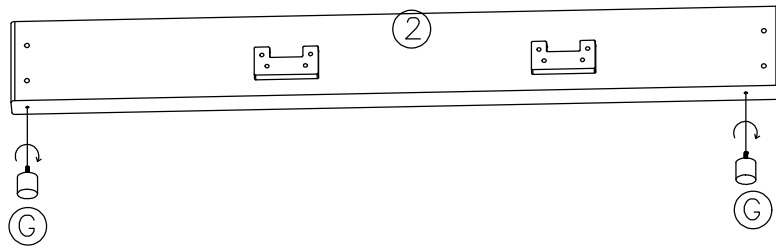
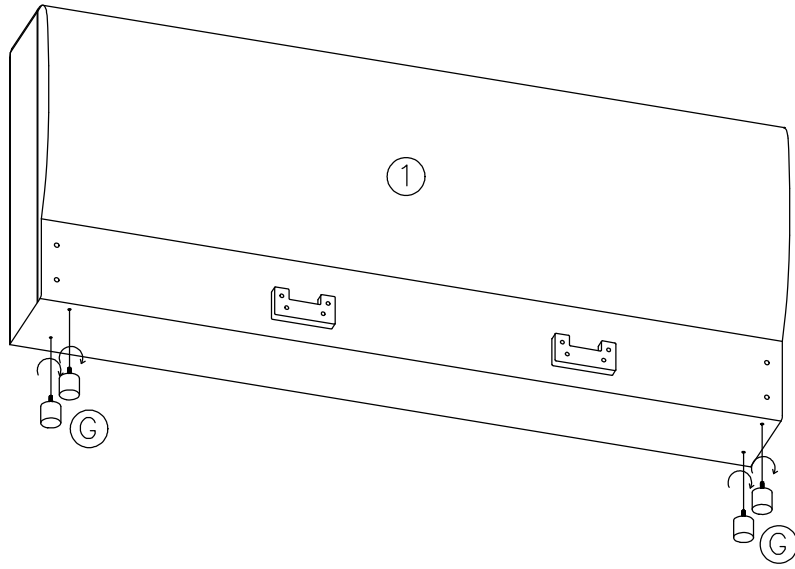


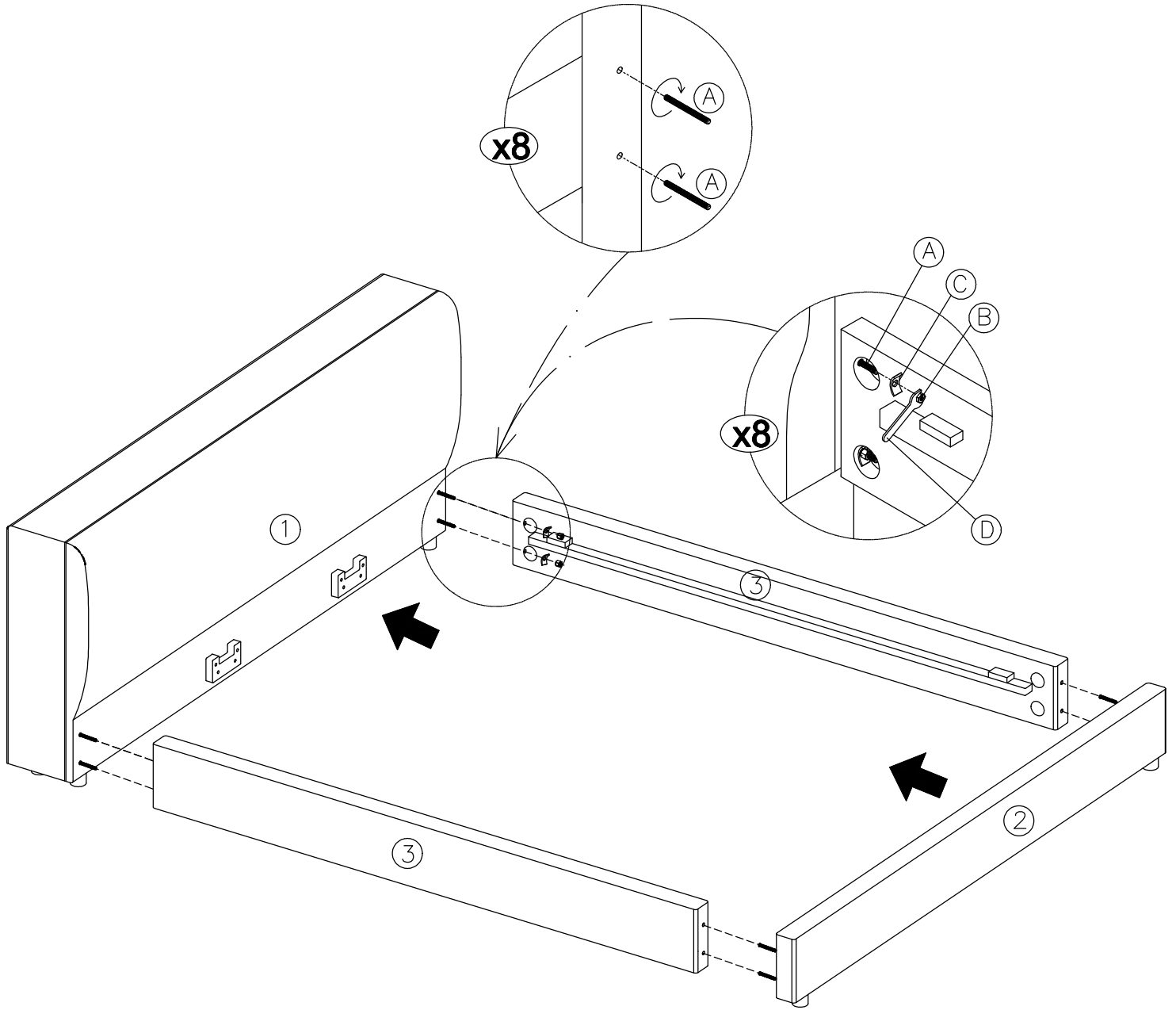
### HARDWARE LIST

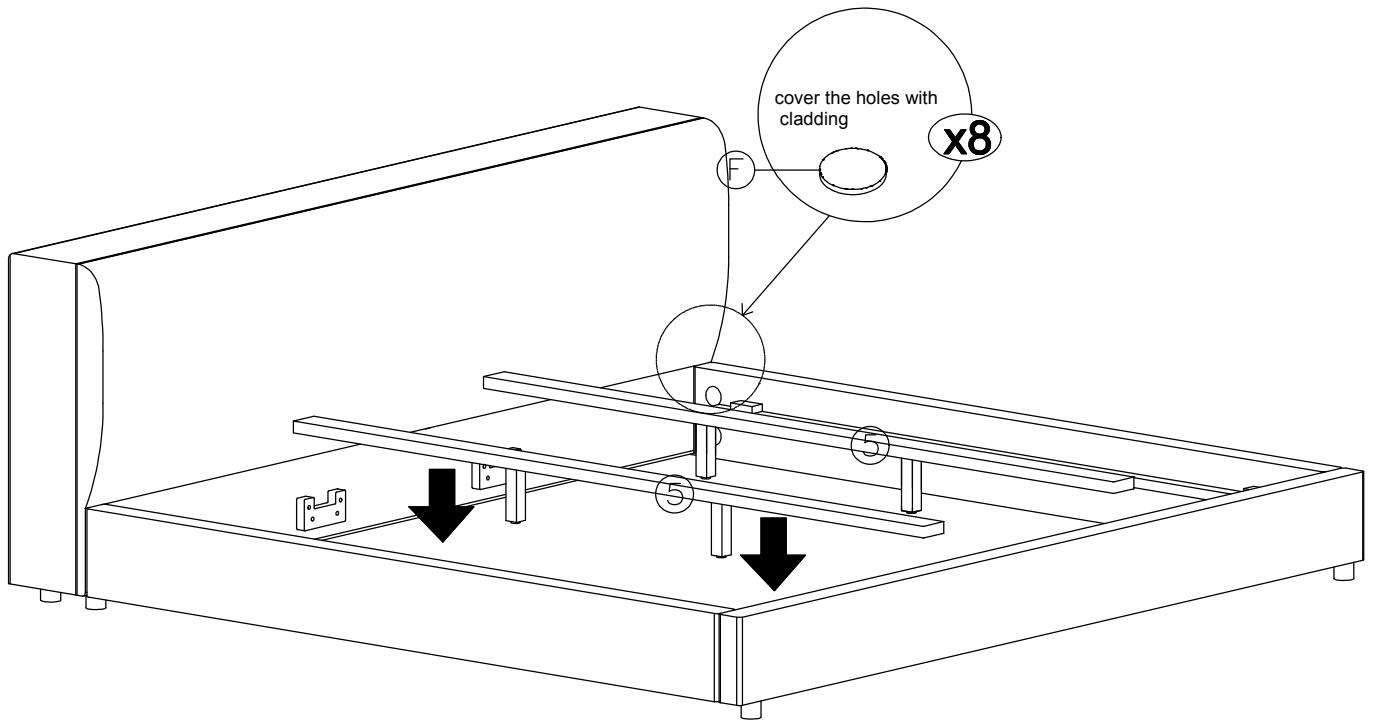
A		BOLT Ø8 x100mm	8
B		HEXAGON NUT Ø8 x 13mm	8
C		ACR WASHER 15 x30mm	8
D		WRENCH	1
E		WOOD SCREW Ø4 x25mm	6
F		SIDE COVER	8
G		FOOT LEGS	6
H		CENTER LEGS	4

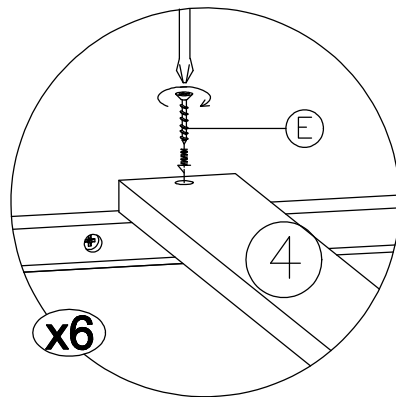
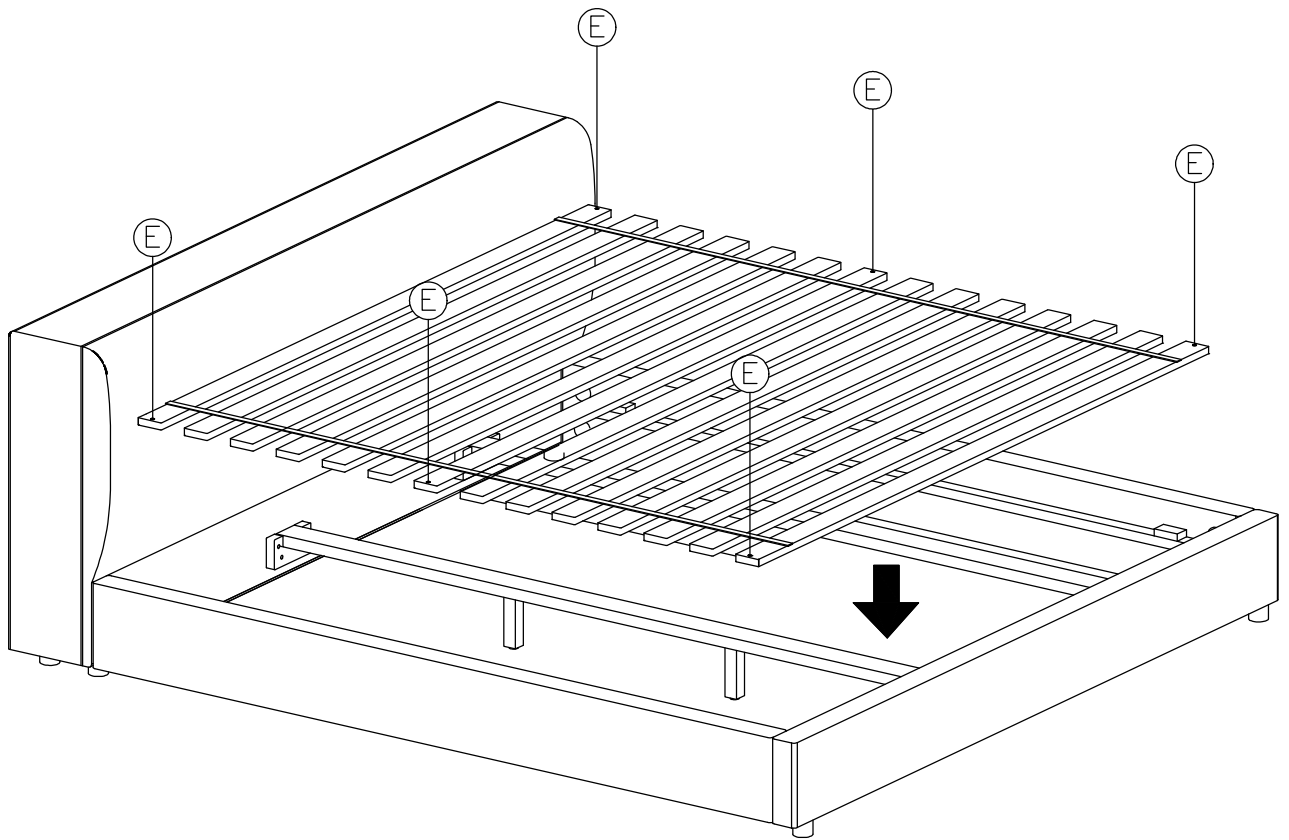
# COMPONENTS











6

