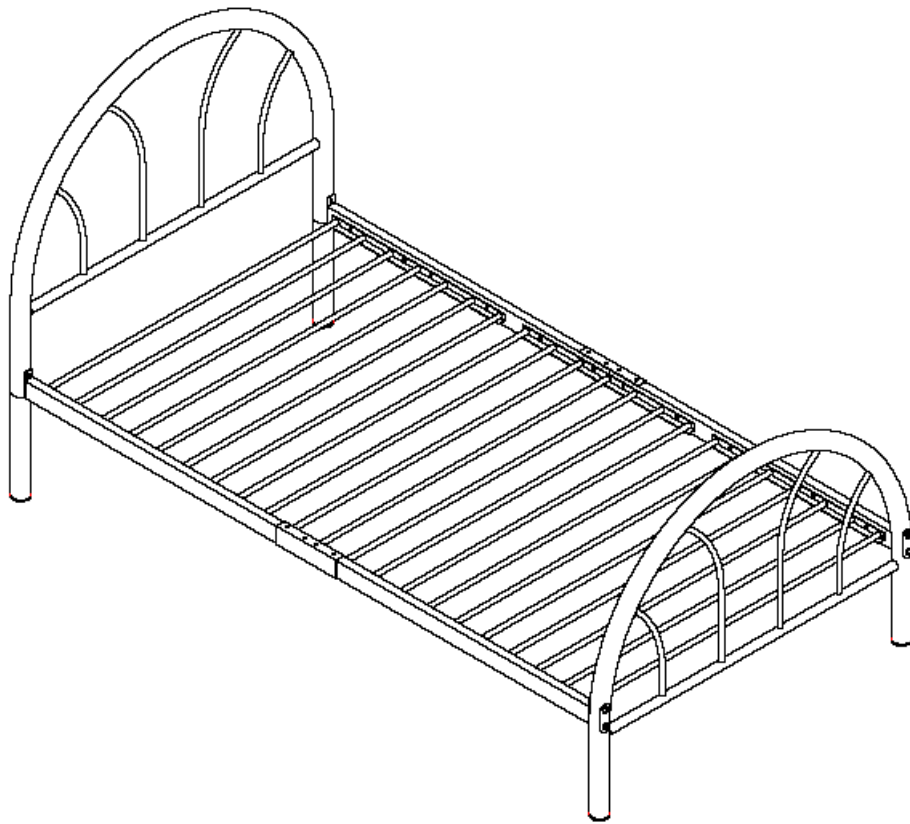


Assembly Instructions



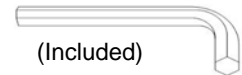
ASSEMBLY RATING

The Assembly Rating is a 5-point system that shows the degree of effort needed in assembling a specific product (with 1 being easy and 5 being difficult). For some products, two persons are recommended.

EASY  DIFFICULT

Tools Required for Assembly:

Allen Wrench

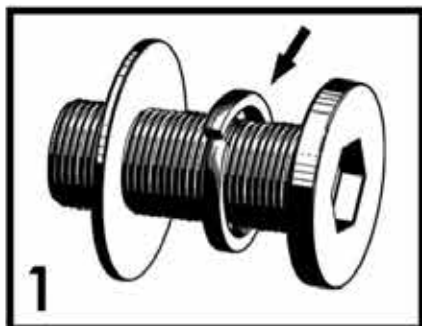


2 PERSONS RECOMMENDED

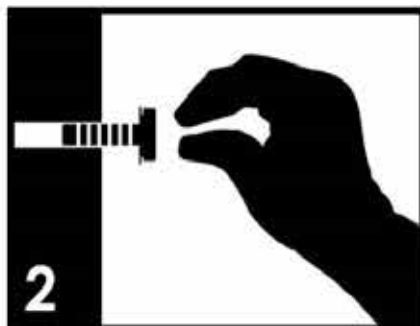
ASSEMBLY & CARE ADVICE

FOR YOUR FURNITURE TO LAST, CORRECT ASSEMBLY AND PROPER MAINTENANCE ARE NECESSARY. PLEASE FOLLOW THE INFORMATION PROVIDED BELOW TO FULLY ENJOY YOUR FURNITURE.

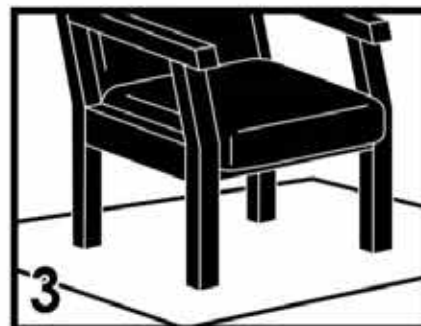
BASIC ASSEMBLY TECHNIQUES



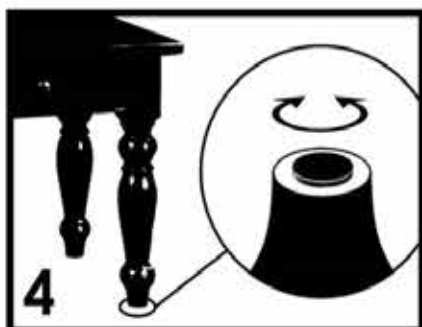
1 When lock or spring washer is used in an assembly, please make sure the lock or spring washer is placed between the larger flat washer and the head of the screw or bolt.



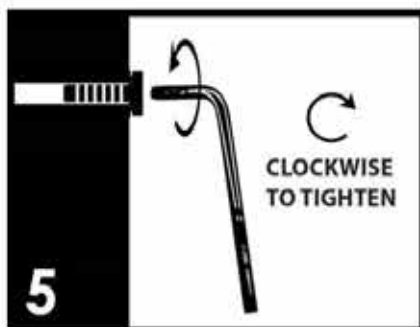
2 Position each part correctly and insert screws or bolts into their respective holes by hand tighten or using the proper hand tool. Only tighten when step is completed or when instructed to do so.



3 Use cardboard or carpet area when assembling furniture to prevent scratches. Make sure the furniture rests on a flat and level surface with each leg evenly touching the floor.



4 Some furniture comes with height adjustment knobs underneath each leg. To lower or to raise each leg, you need to turn clockwise or counterclockwise, respectively.



5 Make sure all parts are properly aligned, then use the appropriate hand tool to completely tighten the bolts or screws. Do not use power tools and do not overtighten.



6 Save the instructions and store the Allen wrench or any supplied tool for later maintenance. After two weeks, check and tighten any loose hardware and repeat again every six months thereafter.

IT IS THE USER'S RESPONSIBILITY TO MAINTAIN THE FURNITURE. THE HARDWARE MAY LOOSEN OVER TIME AND MAY CAUSE THE FURNITURE TO BE WOBBLY AND UNABLE TO SUPPORT ITS INTENDED WEIGHT CAPACITY. THIS MAY LEAD TO COLLAPSE AND MAY CAUSE SERIOUS INJURY.



FAILURE TO FOLLOW THE GUIDELINES ABOVE MAY RESULT IN INJURY AND/OR PROPERTY DAMAGE.






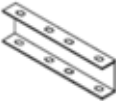




Before you begin, please read Page 2 of "Assembly and Care Advice".









And remember, do not tighten until each step is completed or instructed.

MD

Parts List

	#1 x 1 pc Headboard
	#2 x 1 pc Footboard
	#3 x 2 pcs Leg
	#4 x 2 pcs Side Rail A
	#5 x 2 pcs Side Rail B
	#6 x 2 pcs Outer Bracket
	#7 x 2 pcs Inner Bracket
	#8 x 3 pcs Slat Section

Hardware List

	#A x 20 pcs Bolt 1/4"x5/8"
	#B x 4 pcs Bolt 1/4"x1-1/2"
	#C x 4 pcs Bolt 1/4"x3"
	#D x 4 pcs Barrel Nut
	#E x 2 pcs Allen Wrench M4
	#F x 1 pc Allen Wrench M5
	#G x 16 pcs Bolt 5/16"x5/8"
	#H x 4 pcs Spacer



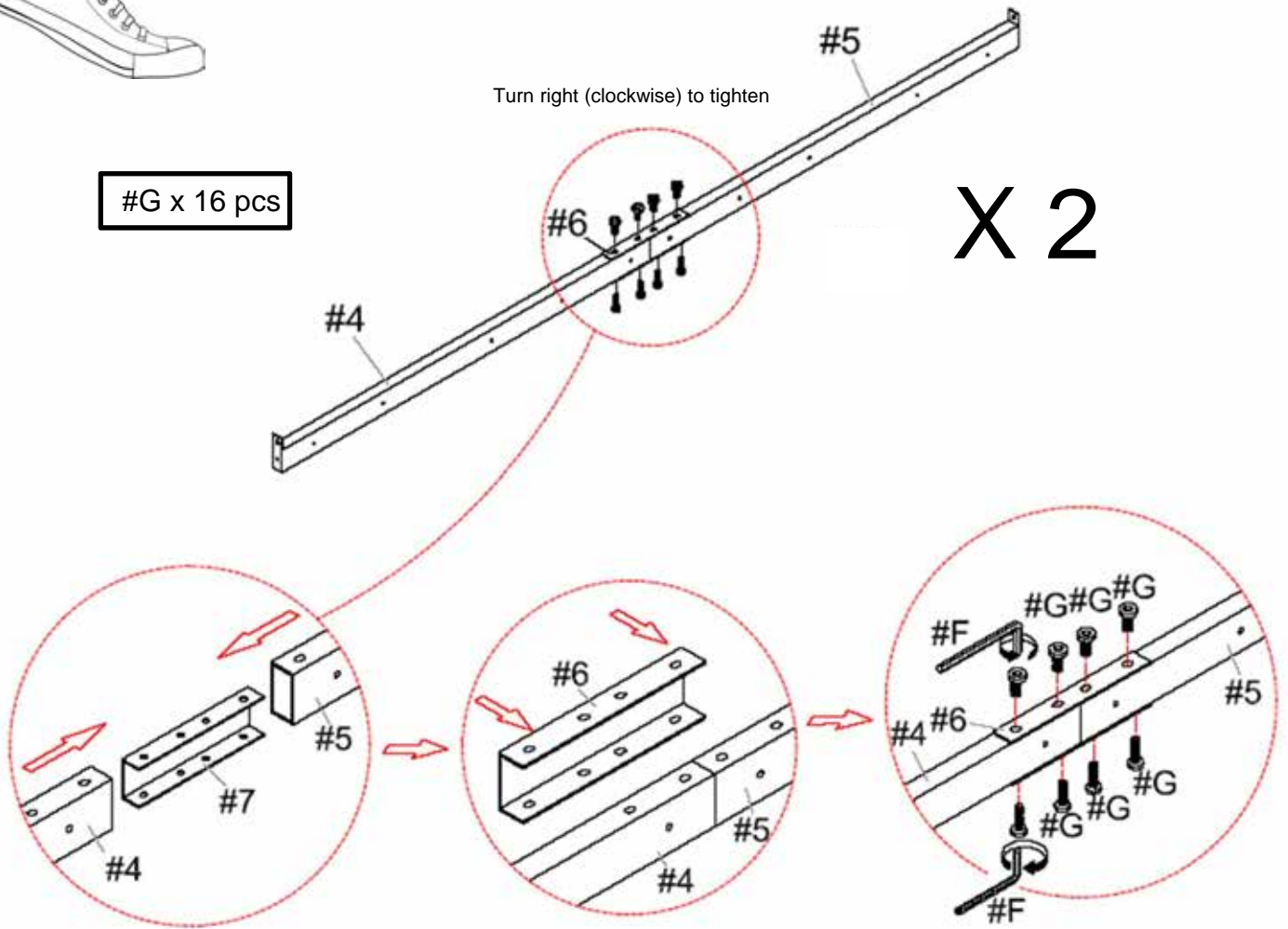
Due to the size and/or weight of this product, it is highly recommended that the assembly should be done near the area of its intended location. Make sure you have enough space to move around during the assembly. ALWAYS have at least two people to help with transporting and assembling of the product to avoid any potential injury and/or damage.



#G x 16 pcs

Turn right (clockwise) to tighten

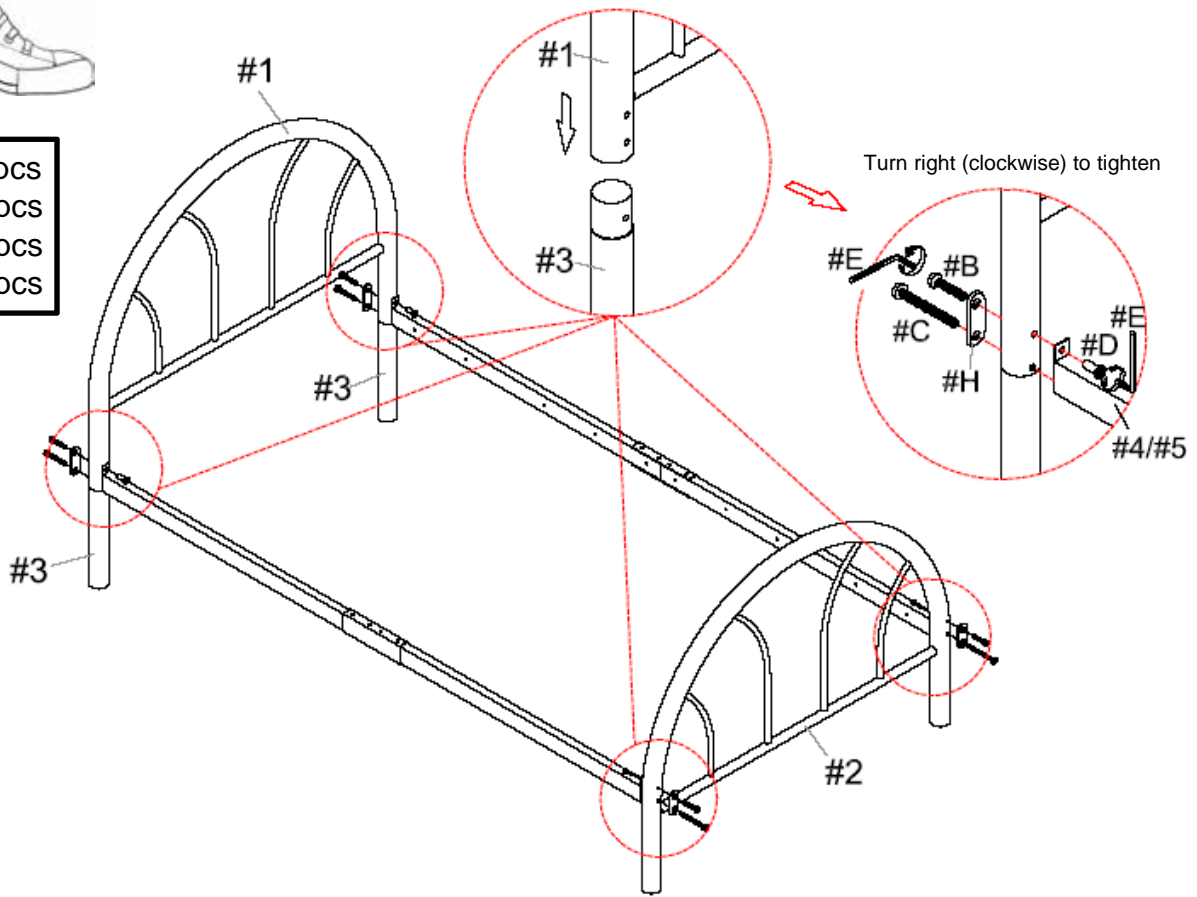
X 2





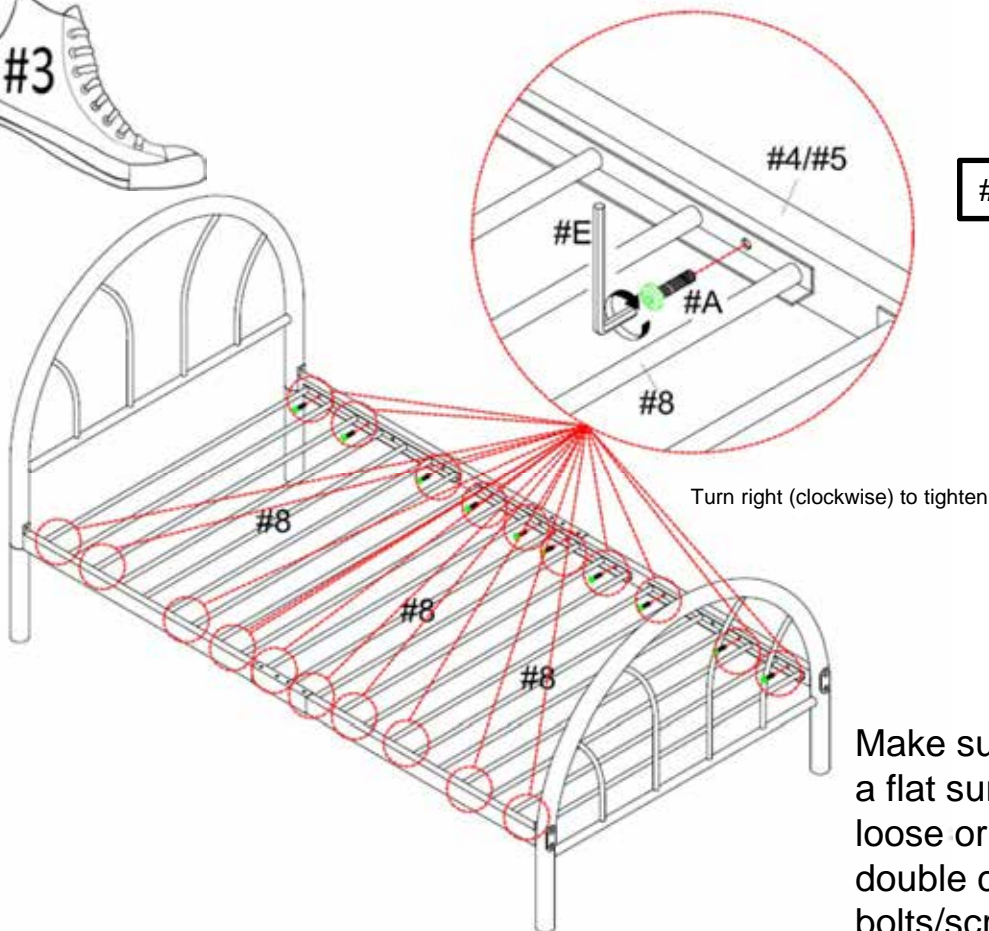
#2

- #B x 4 pcs
- #C x 4 pcs
- #D x 4 pcs
- #H x 4 pcs



#3

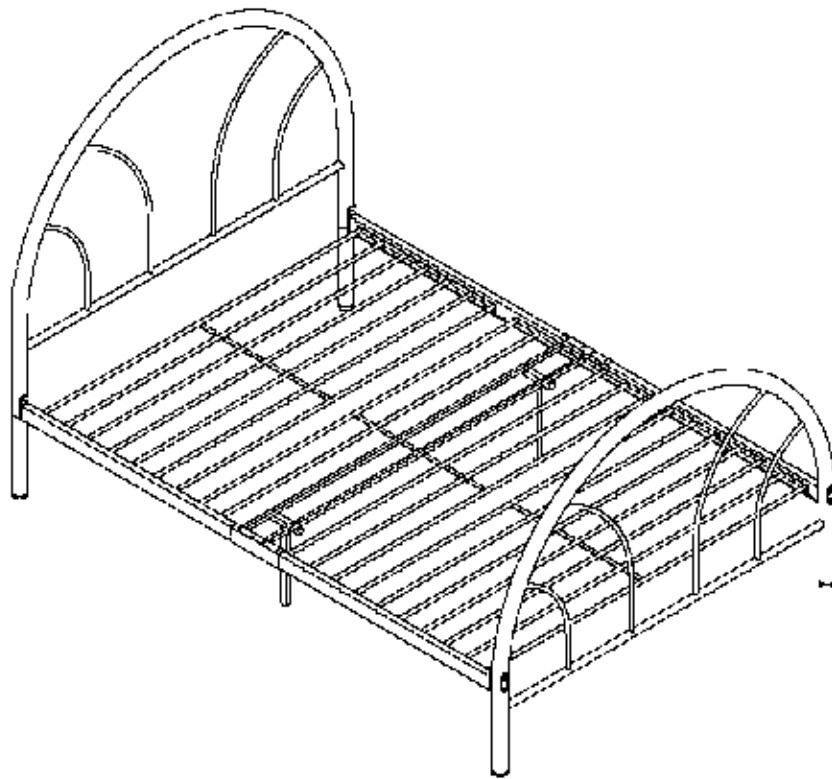
- #A x 20 pcs



Make sure the bed is rested on a flat surface and does not feel loose or wobbly. If it does, double check that the bolts/screws are secured and properly tightened.

ASSEMBLY IS COMPLETED

Assembly Instructions



ASSEMBLY RATING

The Assembly Rating is a 5-point system that shows the degree of effort needed in assembling a specific product (with 1 being easy and 5 being difficult). For some products, two persons are recommended.

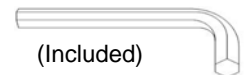
EASY



DIFFICULT

Tools Required for Assembly:

Allen Wrench



(Included)

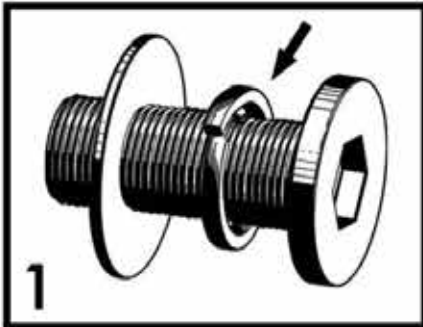


2 PERSONS RECOMMENDED

ASSEMBLY & CARE ADVICE

FOR YOUR FURNITURE TO LAST, CORRECT ASSEMBLY AND PROPER MAINTENANCE ARE NECESSARY. PLEASE FOLLOW THE INFORMATION PROVIDED BELOW TO FULLY ENJOY YOUR FURNITURE.

BASIC ASSEMBLY TECHNIQUES



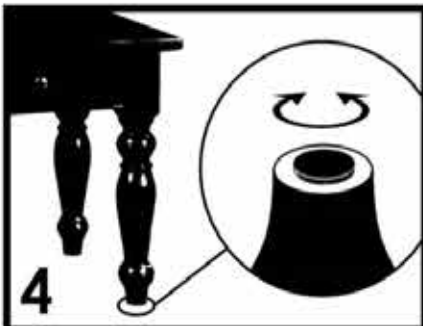
1 When lock or spring washer is used in an assembly, please make sure the lock or spring washer is placed between the larger flat washer and the head of the screw or bolt.



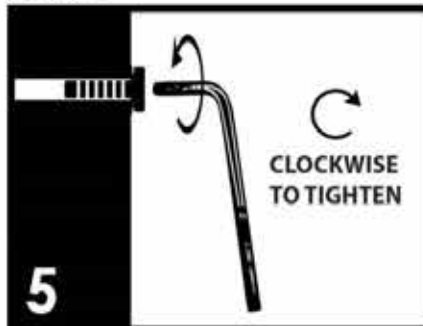
2 Position each part correctly and insert screws or bolts into their respective holes by hand tighten or using the proper hand tool. Only tighten when step is completed or when instructed to do so.



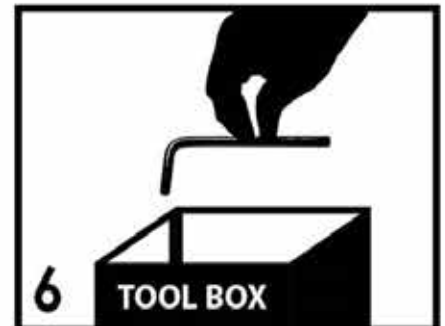
3 Use cardboard or carpet area when assembling furniture to prevent scratches. Make sure the furniture rests on a flat and level surface with each leg evenly touching the floor.



4 Some furniture comes with height adjustment knobs underneath each leg. To lower or to raise each leg, you need to turn clockwise or counterclockwise, respectively.



5 Make sure all parts are properly aligned, then use the appropriate hand tool to completely tighten the bolts or screws. Do not use power tools and do not overtighten.



6 Save the instructions and store the Allen wrench or any supplied tool for later maintenance. After two weeks, check and tighten any loose hardware and repeat again every six months thereafter.

IT IS THE USER'S RESPONSIBILITY TO MAINTAIN THE FURNITURE. THE HARDWARE MAY LOOSEN OVER TIME AND MAY CAUSE THE FURNITURE TO BE WOBBLY AND UNABLE TO SUPPORT ITS INTENDED WEIGHT CAPACITY. THIS MAY LEAD TO COLLAPSE AND MAY CAUSE SERIOUS INJURY.



FAILURE TO FOLLOW THE GUIDELINES ABOVE MAY RESULT IN INJURY AND/OR PROPERTY DAMAGE.



Before you begin, please read Page 2 of "Assembly and Care Advice".

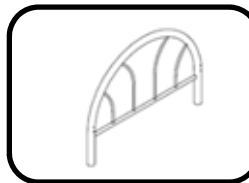
And remember, do not tighten until each step is completed or instructed.

MD

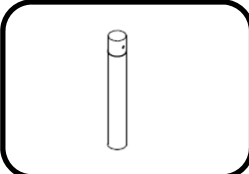
Parts List



#1 x 1 pc
Headboard



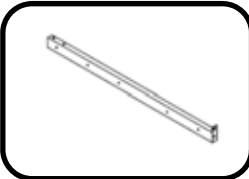
#2 x 1 pc
Footboard



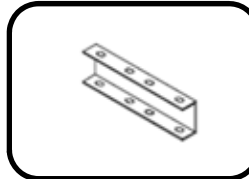
#3 x 2 pcs
Leg



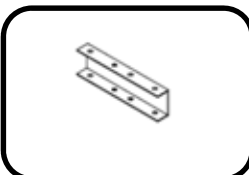
#4 x 2 pcs
Side Rail A



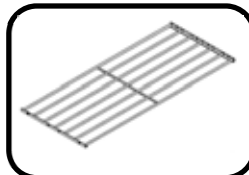
#5 x 2 pcs
Side Rail B



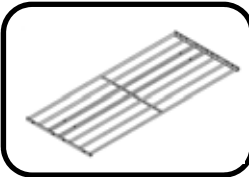
#6 x 2 pcs
Outer Bracket



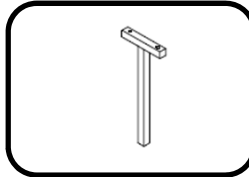
#7 x 2 pcs
Inner Bracket



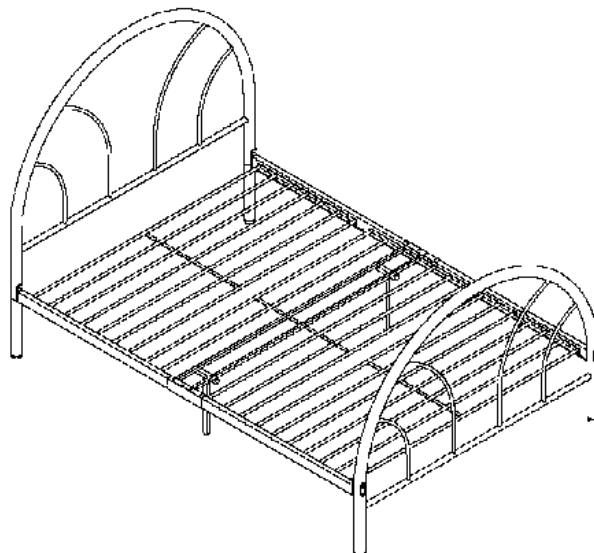
#8 x 2 pcs
Outer Slat Section



#9 x 1 pc
Center Slat Section



#10 x 2 pcs
Center Support Leg





Due to the size and/or weight of this product, it is highly recommended that the assembly should be done near the area of its intended location. Make sure you have enough space to move around during the assembly. ALWAYS have at least two people to help with transporting and assembling the product to avoid any potential injury and/or damage.

Hardware List



#A x 20 pcs
Bolt 1/4"x5/8"



#B x 4 pcs
Bolt 1/4"x1-1/2"



#C x 4 pcs
Bolt 1/4"x3"



#D x 4 pcs
Barrel Nut



#E x 2 pcs
Allen Wrench M4



#F x 1 pc
Allen Wrench M5



#G x 16 pcs
Bolt 5/16"x5/8"



#H x 4 pcs
Spacer

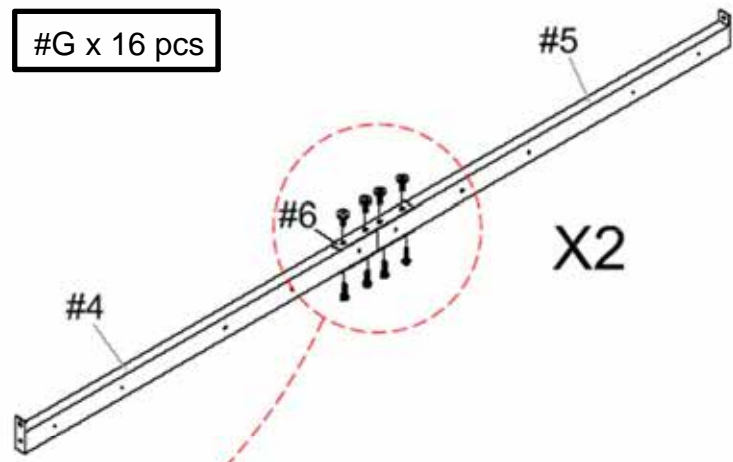


#I x 4 pcs
Bolt 1/4"x1"

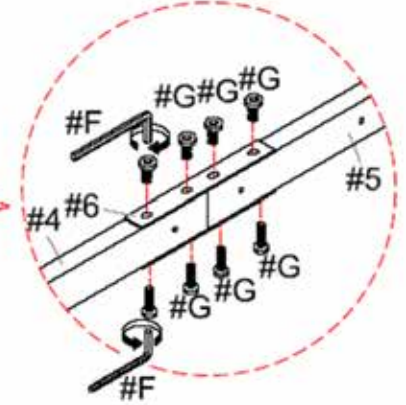
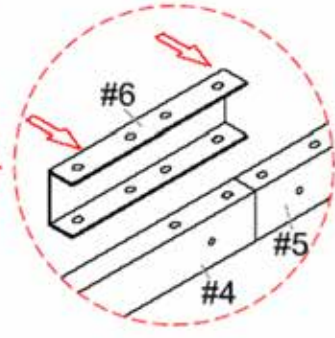
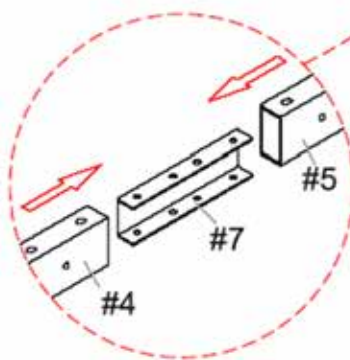


#1

#G x 16 pcs



X2

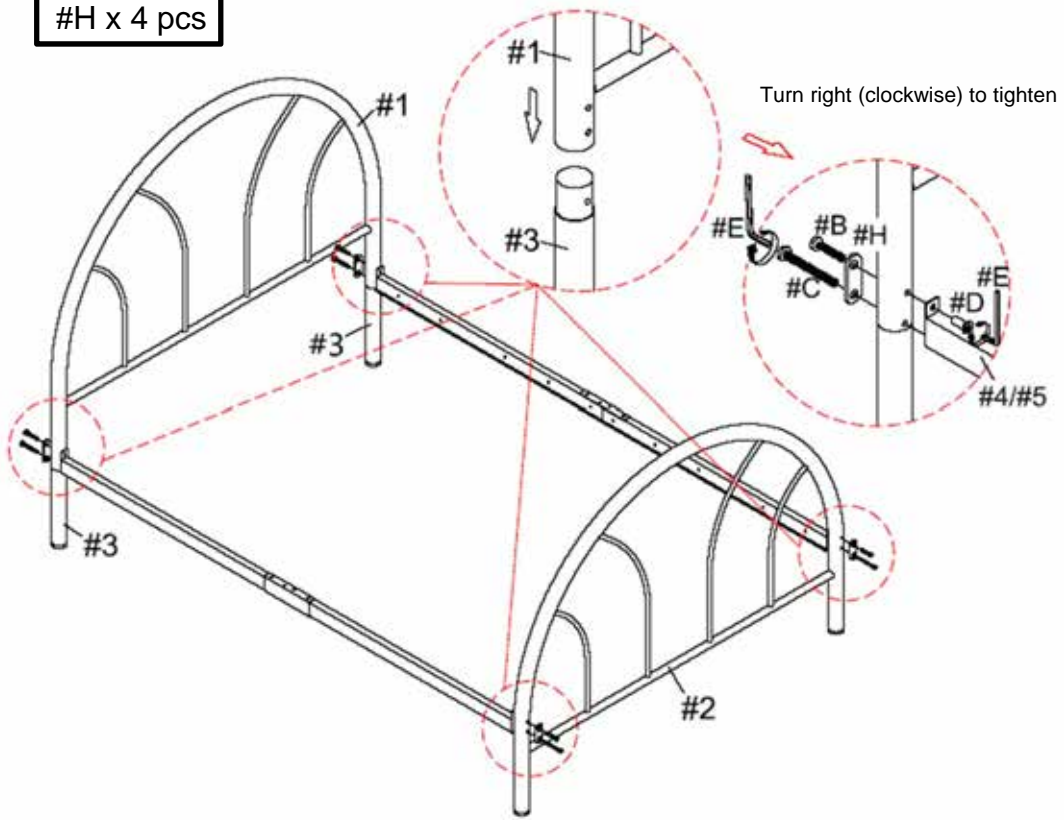


Turn right (clockwise) to tighten



#2

#B x 4 pcs
 #C x 4 pcs
 #D x 4 pcs
 #H x 4 pcs

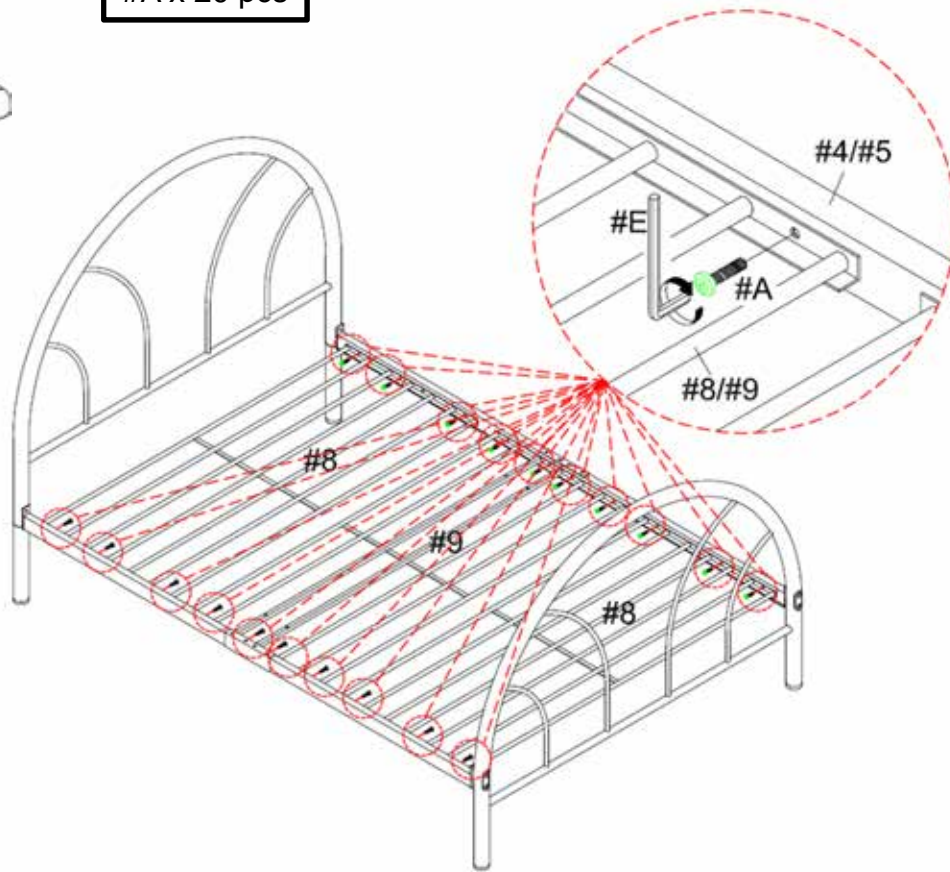


Turn right (clockwise) to tighten



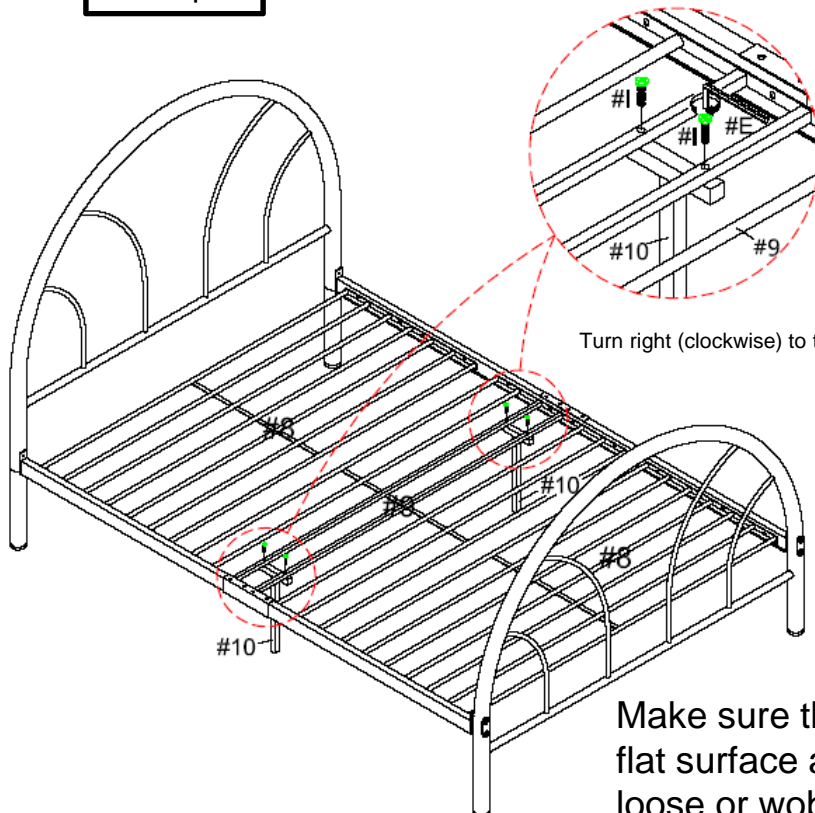
#A x 20 pcs

Turn right (clockwise) to tighten



#I x 4 pcs

Turn right (clockwise) to tighten



Make sure the bed is rested on a flat surface and does not feel loose or wobbly. If it does, double check that the bolts/screws are secured and properly tightened.

ASSEMBLY IS COMPLETED