

## CARE AND MAINTENANCE

Store outdoor furniture indoors or cover well when not in use.

Remove wooden furniture from standing water. Dust regularly with small brush or vacuum

Spills should be taken care of immediately before they harden or stain with a slightly dampened sponge.

## NOTICE

- \* Please make sure that you have all parts indicated before you begin assembly of this item
- \* This item should be assembled on a soft surface to prevent scratching the finish during assembly
- \* This item may require periodic tightening


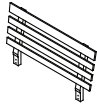
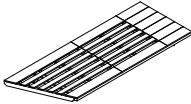
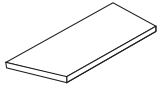
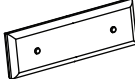
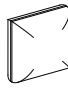




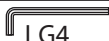
**Weight Capacity : 600 Ibs**

**Warning : Do not stand on chair**

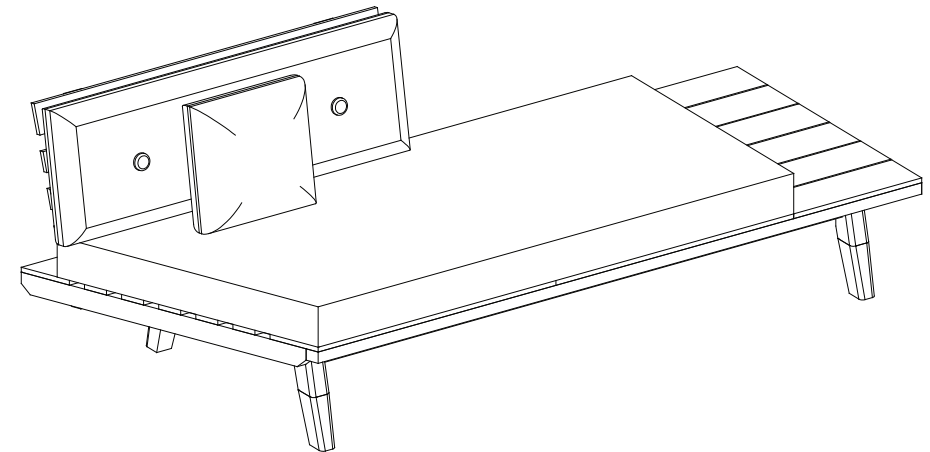
**Warning : Do not over torque bolts / screws**



## Part List and Hardware List

PIECE	DESCRIPTION	PICTURE	QUANTITY
A	Leg Frame		4X
B	Back frame		1X
C	Seat Frame		1X
D	Cushion Seat		1X
E	Cushion Back		1X
E1	Pillow		1X
F	Bolt	 M8x60	8X
G	Bolt	 M6X40	4X
H	Inset Nut	 M6X15	4X
I	Washer	 M8.5/20X2	8X
K	Allen key	 LG4	2X

Product Dimensions: 29.13" W x 71.23" D x 26.77" H

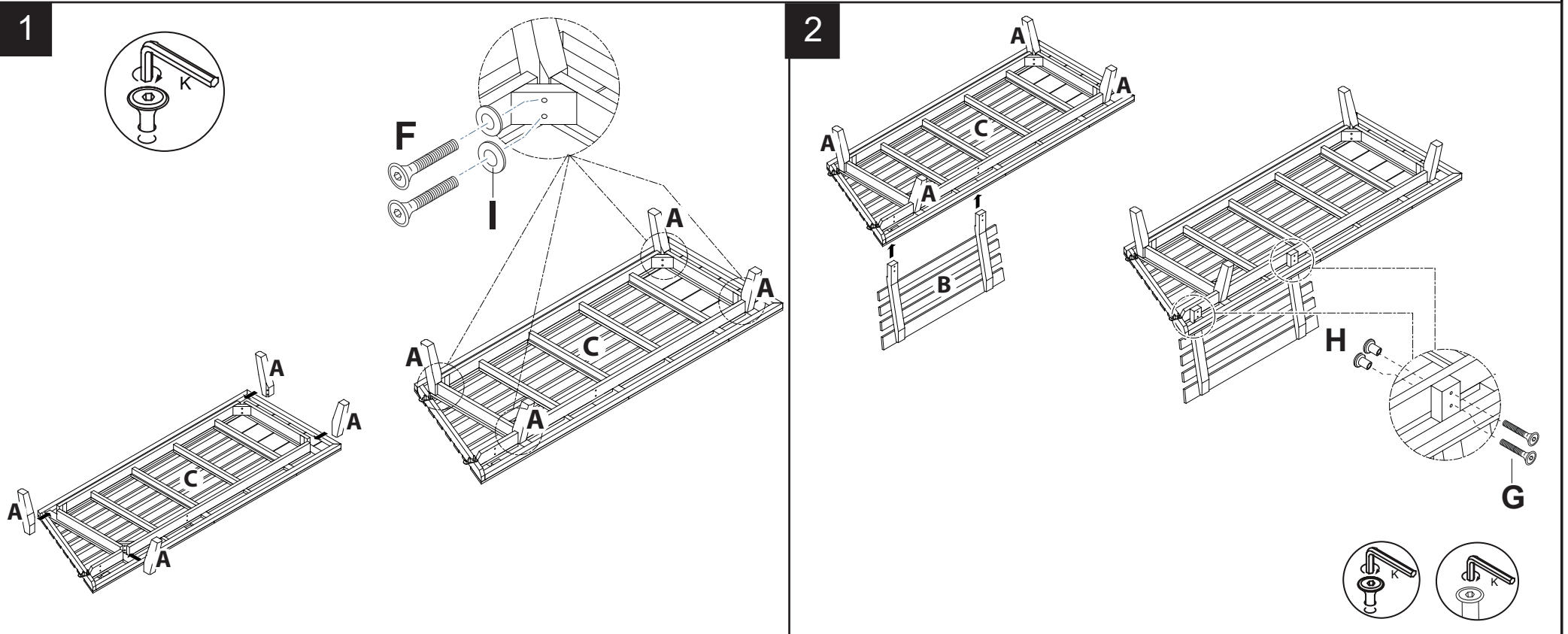


## PREPARATION

Before beginning assembly of product, make sure all parts are present. Compare parts with package contents list and hardware contents list. If any part is missing or damaged, do not attempt to assemble the product.

Estimated Assembly Time: 10 minutes.

Tools Required for Assembly (included): Allen Key



### Step 1

Attach leg frame (A) to Frame seat (C), use Bolt (E) and Washer (I), tighten with allen key (K).

### Step 2

Tighten Bolt (G) and Insert nut (H) with allen key (K) to attach seat frame (C) and back frame (B).

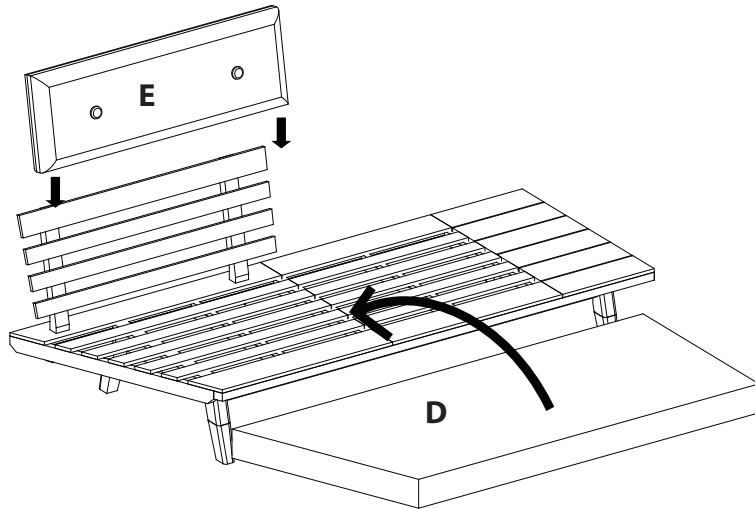
## PREPARATION

Before beginning assembly of product, make sure all parts are present. Compare parts with package contents list and hardware contents list. If any part is missing or damaged, do not attempt to assemble the product.

Estimated Assembly Time: 10 minutes.

Tools Required for Assembly (included): Allen Key

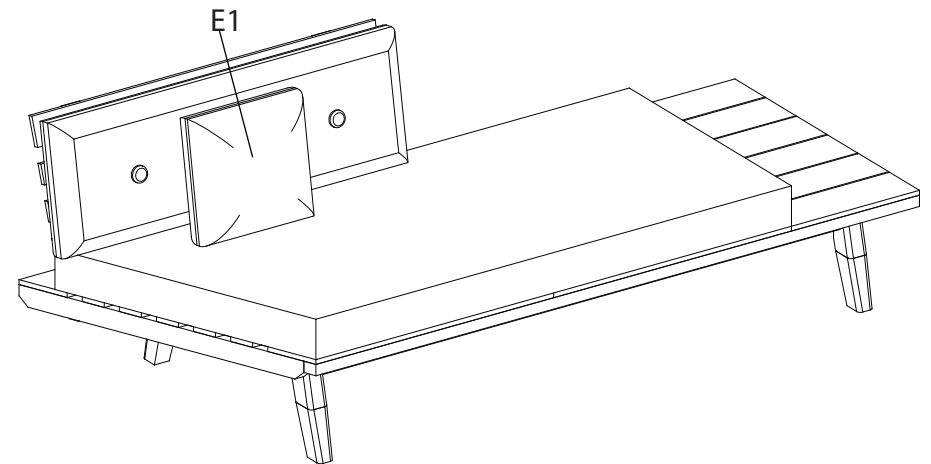
3



Step 3

Attach cushion seat and cushion back.

4



Step 4

Complete

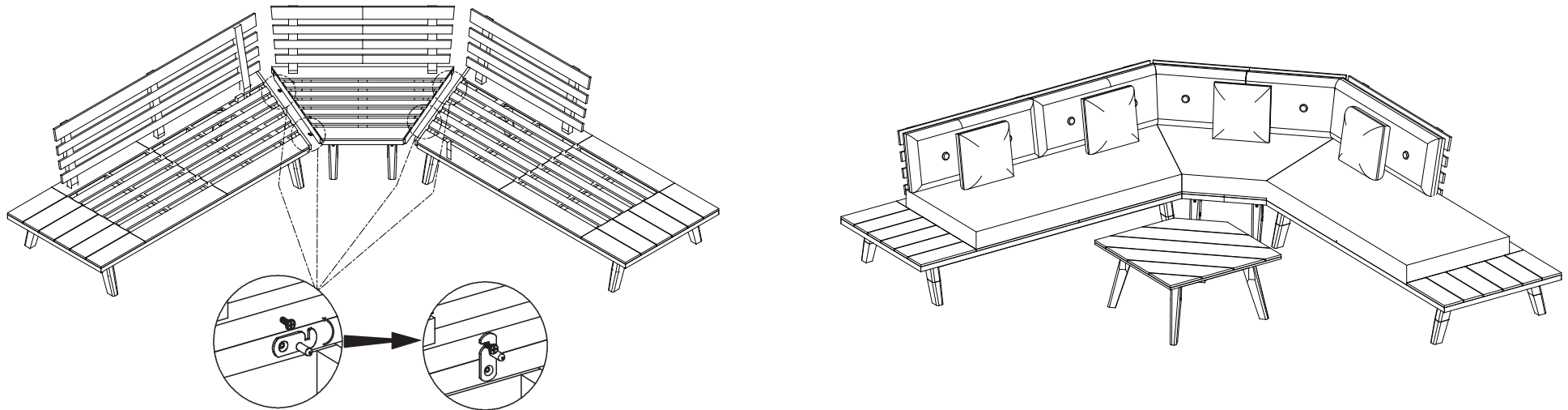
## PREPARATION

Before beginning assembly of product, make sure all parts are present. Compare parts with package contents list and hardware contents list. If any part is missing or damaged, do not attempt to assemble the product.

Estimated Assembly Time: 10 minutes.

Tools Required for Assembly (included): Allen Key

5



Step 5

**Note: This is an optional step in case you want to connect the Corner Chair and Loveseats. It should be done before securing Cushions.**

With assistance from your adult partners, rotate the latches onto the pre-fixed clips to connect the items together.