

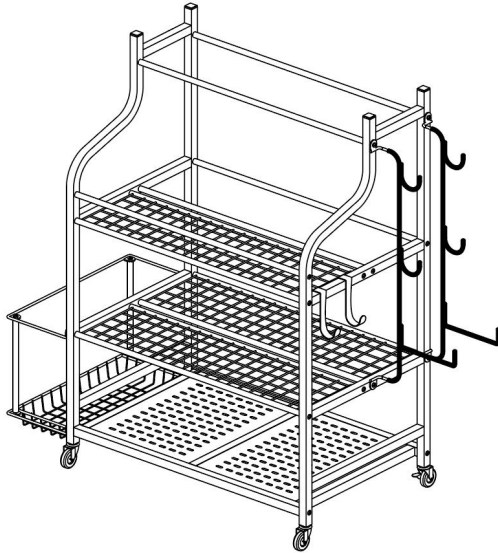
TOUGH TOOLS, HALF PRICE

Technical Support and E-Warranty Certificate

STANDING YOGA STAND WITH BASKET

We continue to be committed to provide you tools with competitive price. "Save Half", "Half Price" or any other similar expressions used by us only represents an estimate of savings you might benefit from buying certain tools with us compared to the major top brands and does not necessarily mean to cover all categories of tools offered by us. You are kindly reminded to verify carefully when you are placing an order with us if you are actually Saving Half in comparison with the top major brands.

STANDING YOGA STAND WITH BASKET



NEED HELP? CONTACT US!

Have product questions? Need technical support? Please feel free to contact us:

Technical Support and E-Warranty Certificate

This is the original instruction, please read all manual instructions carefully before operating. We reserve a clear interpretation of our user manual. The appearance of the product shall be subject to the product you received. Please forgive us that we won't inform you again if there are any technology or software updates on our product.

SAFETY PRECAUTIONS



WARNING: Read this material before using this product. Failure to do so can result in serious injury.

Assembly precautions

1. Assemble only according to these instructions. Improper assembly can create hazards.
2. Wear ANSI-approved safety goggles and heavy-duty work gloves during assembly.
3. Keep assembly area clean and well lit.
4. Keep bystanders out of the area during assembly.
5. Do not assemble when tired or when under the influence of alcohol, drugs or medication.

Use precautions

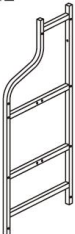
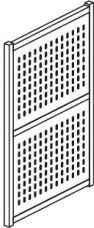
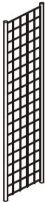

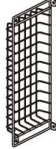









1. Over load is strictly prohibited.
2. Don't move too fast when passing potholes areas.
3. This product is not a toy. Do not allow children to play with or near this item.
4. Do not lift while loaded.
5. Use as intended only.
6. Inspect before every use; do not use if parts are loose or damaged.
7. Do not wash products or put it in any damp place.

SAVE THESE INSTRUCTIONS

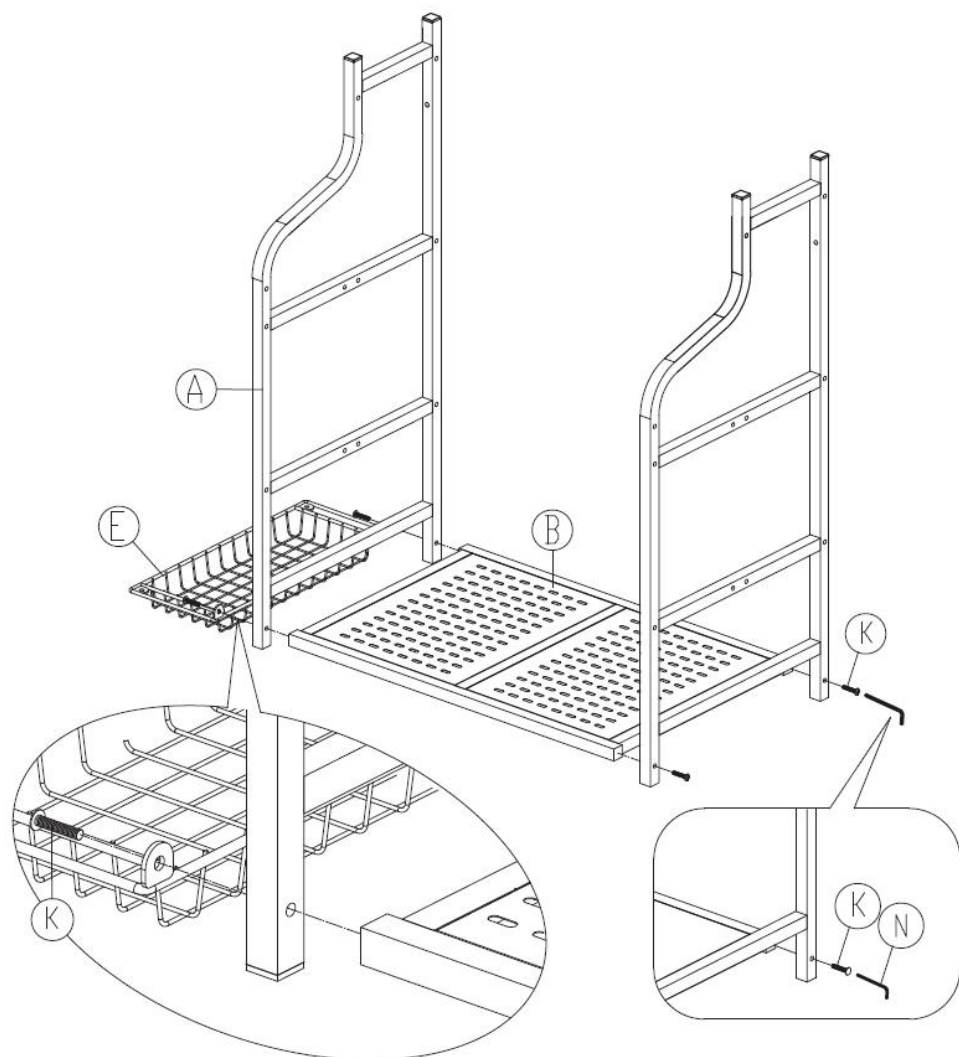
PARAMETER

Model	Product Size	Product layers and load-bearing capacity
RK007	1035*405*885±10mm	Bottom: 80(lbs); Middle: 40(lbs); Top layer: 40(lbs)

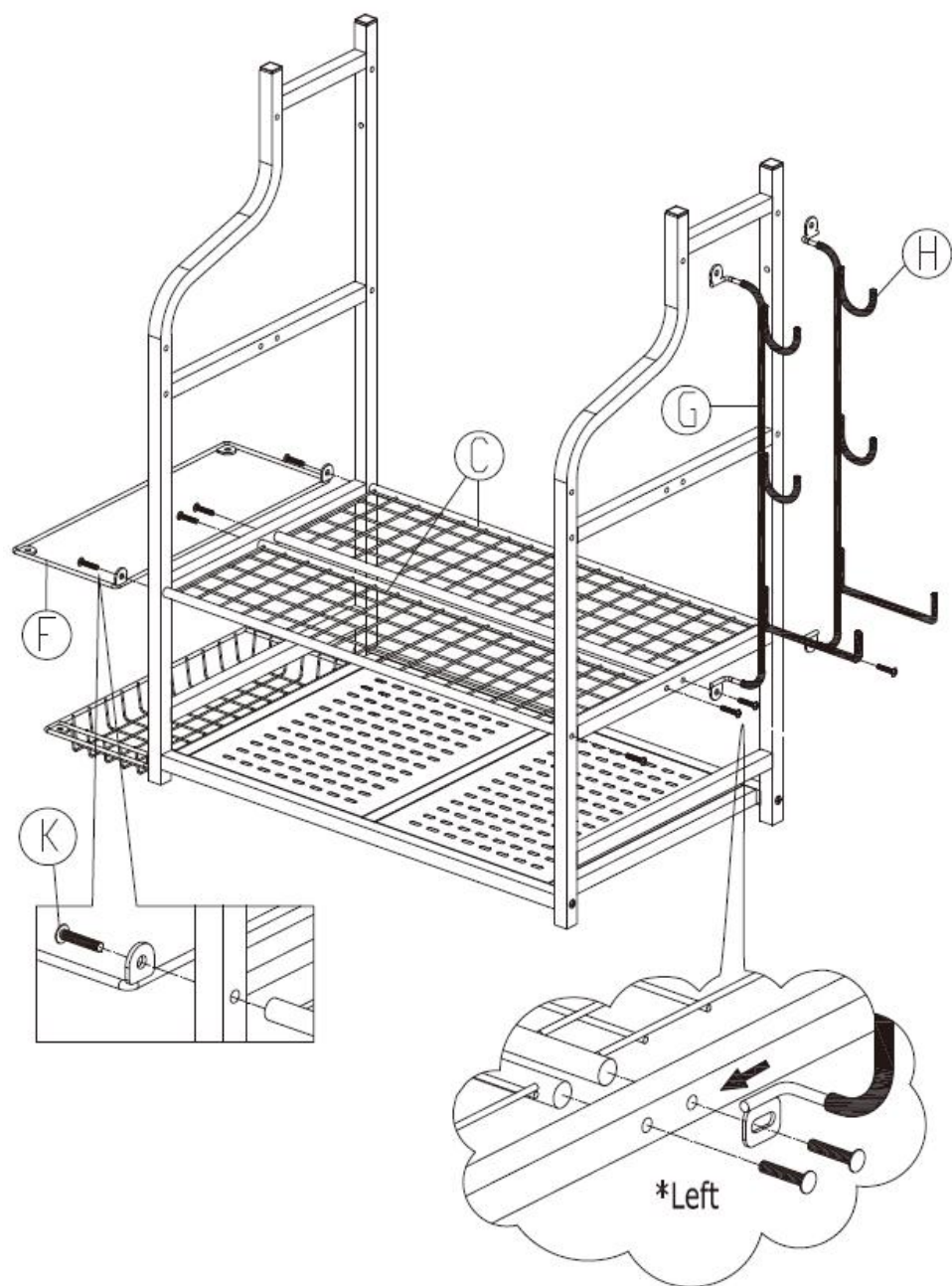
ACCESSORIES

Ax2 	Bx1 	Cx3 	Dx5 	Ex1 	Fx1 	Gx1 *Left 	Hx1 *Right 
Ix2 	Jx2 	Kx30 	Lx2 	Mx2 	Nx1 		

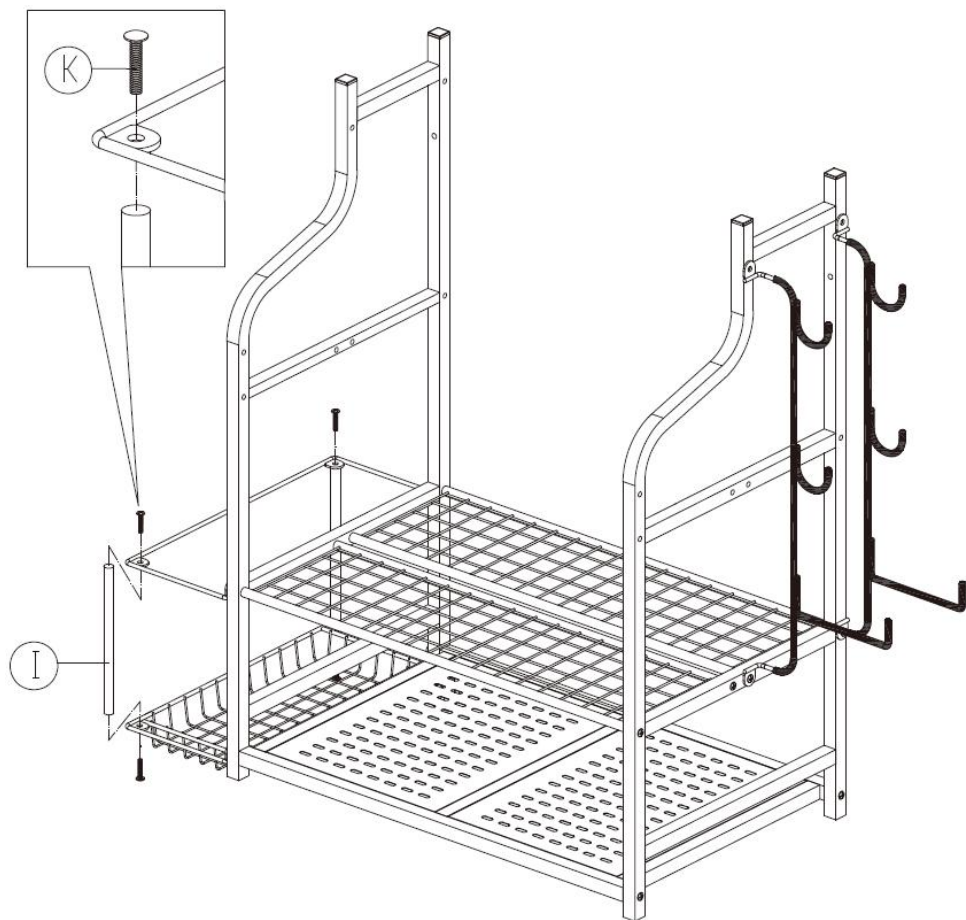
STEP 1



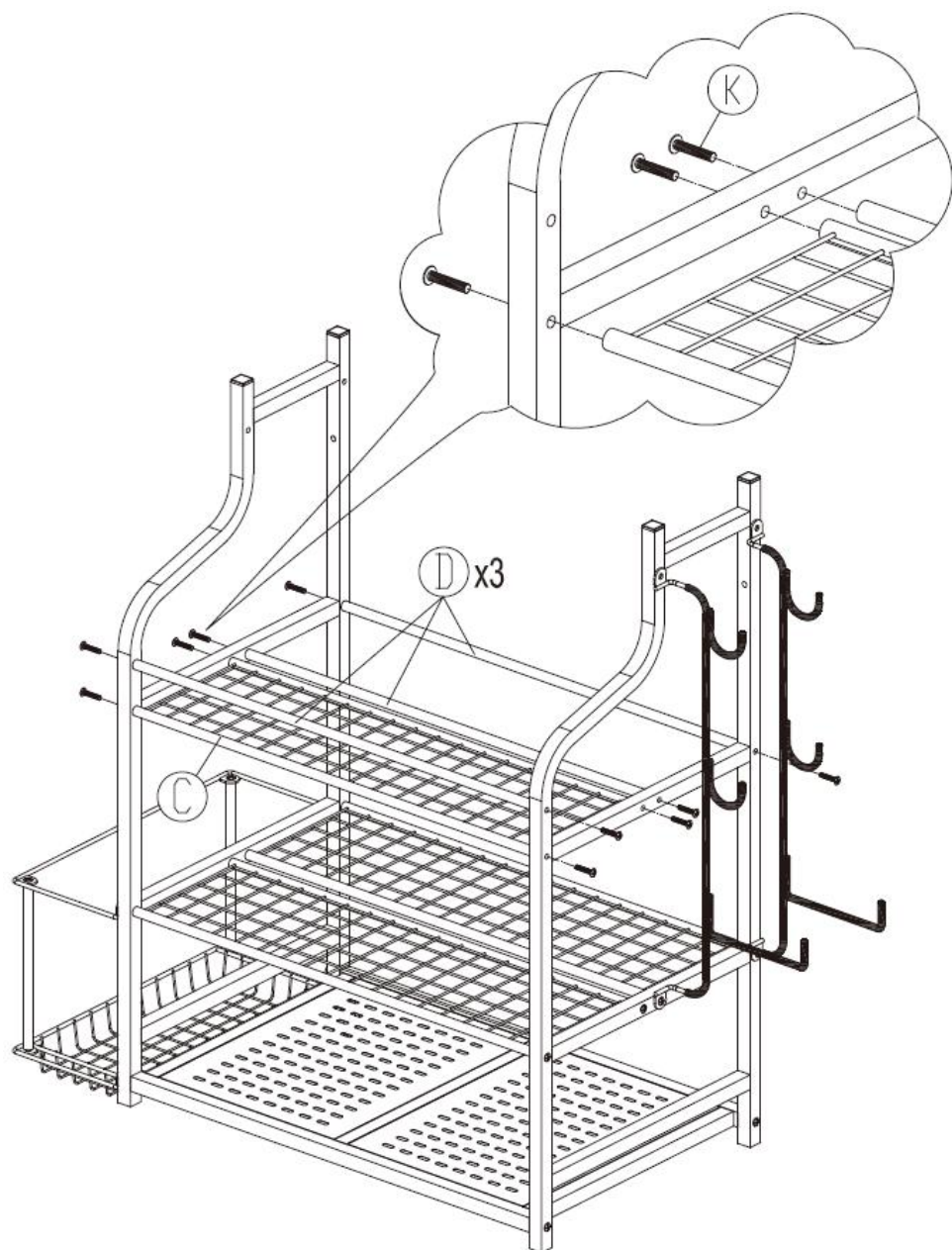
STEP 2



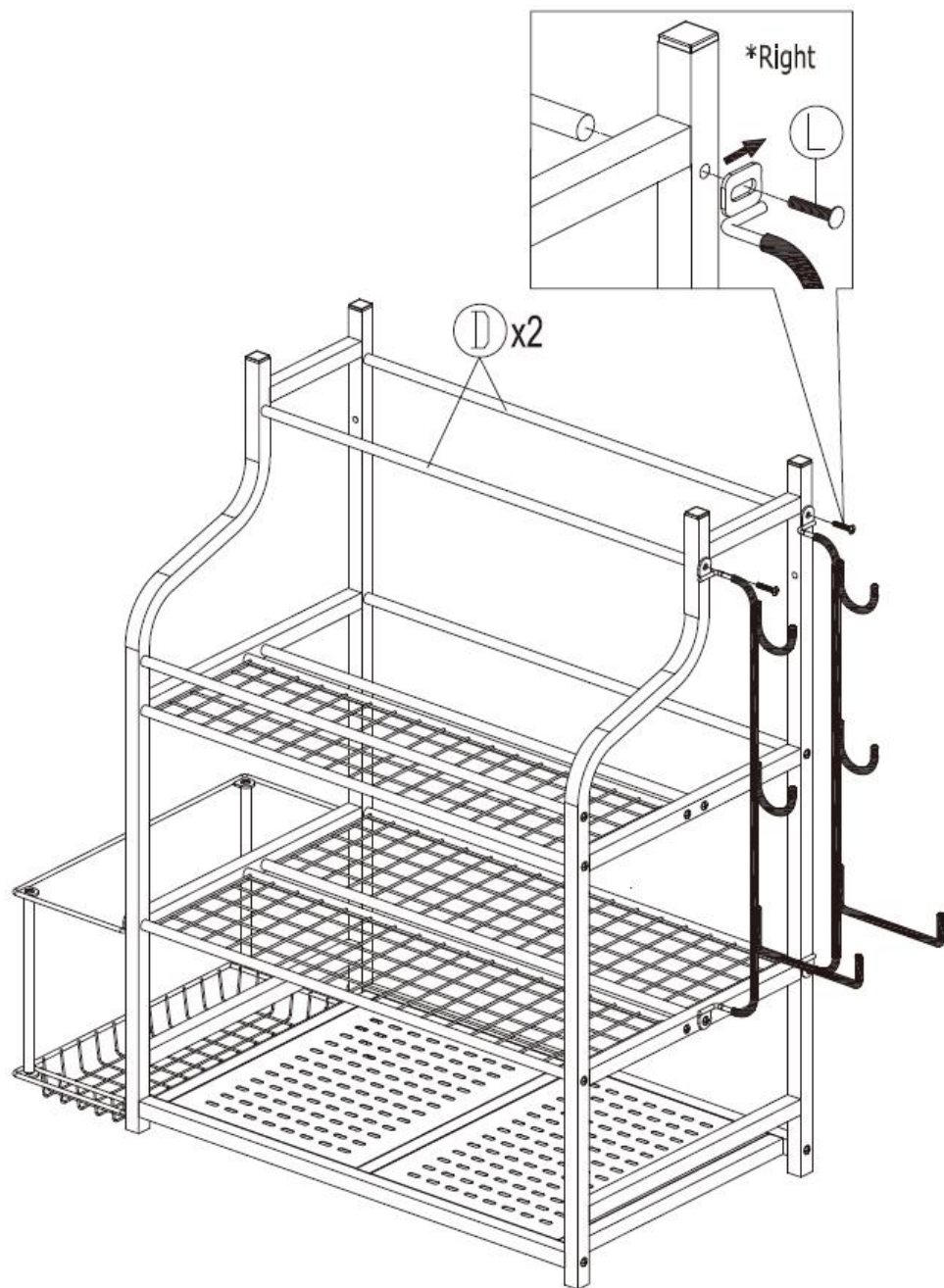
STEP 3



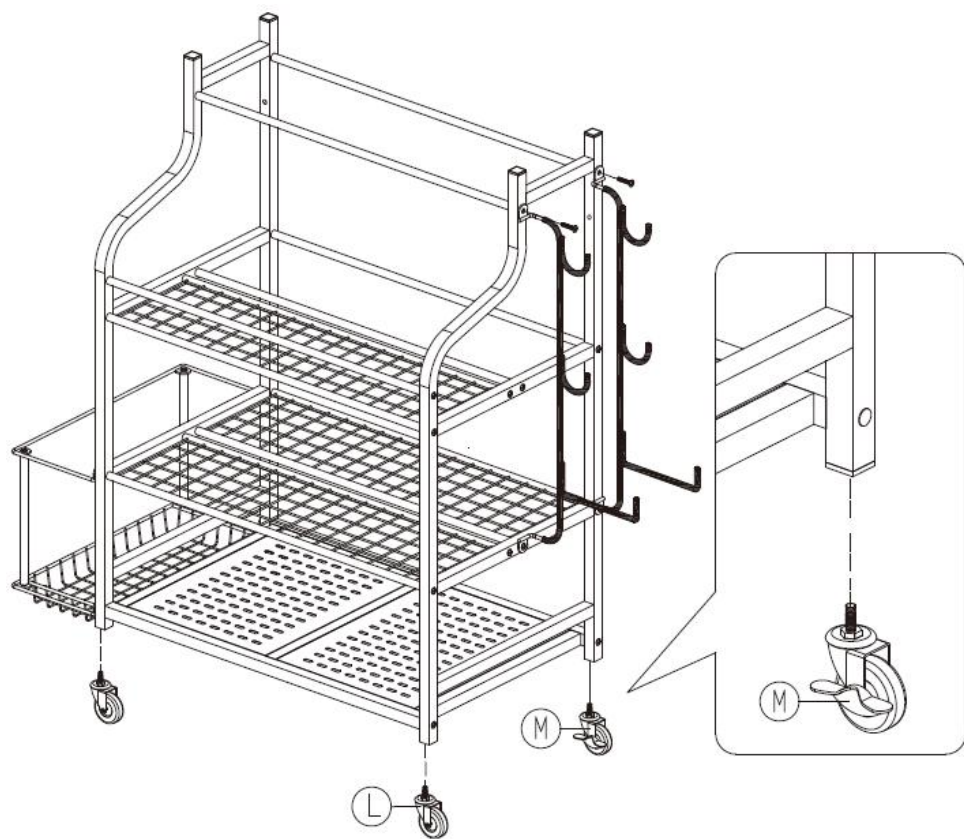
STEP 4



STEP 5



STEP 6



STEP 7

