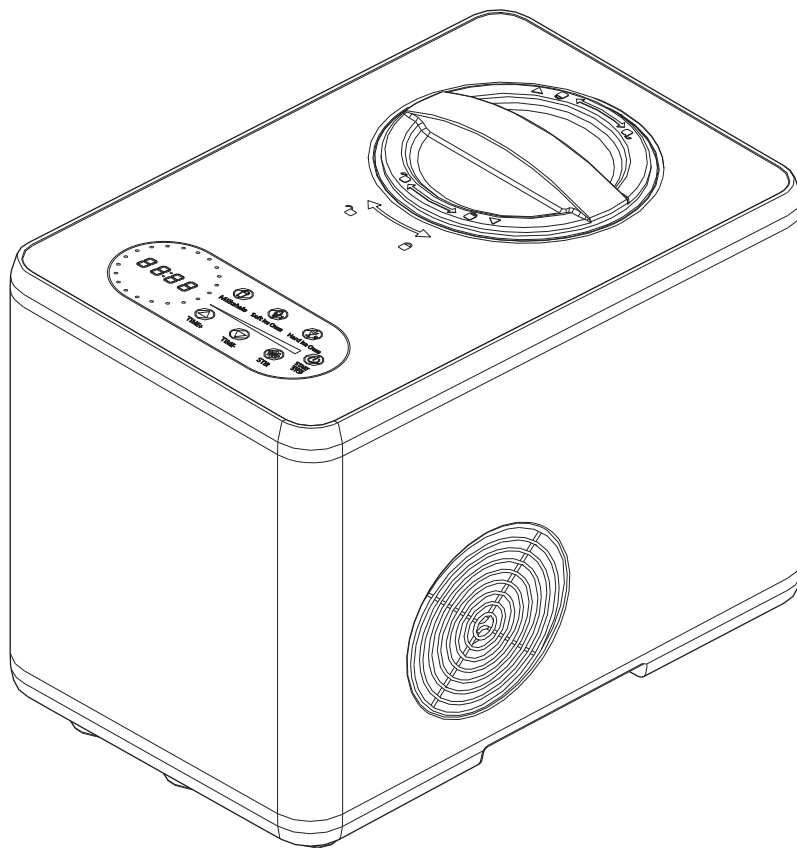


User Manual

Compact Ice-cream Maker

SKU:VH762



It is important that you read these instructions before using your compact ice-cream maker and we strongly recommend that you keep them in a safe place for future reference.

IMPORTANT SAFETY INSTRUCTIONS.....2

PREPARING YOUR ICE MAKER FOR USE

IMPORTANT SAFETY TIPS.....3

GETTING TO KNOW YOUR UNIT.....4

OPERATING PROCEDURES & MAINTENANCE

UNPACKING YOUR ICE MAKER.....6

CONNECTING YOUR ICE MAKER.....6

CLEANING AND MAINTAINING YOUR ICE MAKER.....6

USING YOUR ICE MAKER.....7

TROUBLESHOOTING.....10

PREPARING YOUR ICE MAKER FOR USE

Your safety and the safety of others are very important.

We have provided many important safety messages manual and your appliance.
Always read and obey all safety messages.

This is the safety alert symbol:



All safety messages will follow the safety alert symbol and the word “DANGER” or “WARNING”.

 **DANGER**

 **WARNING**

These words mean:

You can be killed or seriously injured if you don't immediate follow instructions.

All safety messages will tell you what the potential hazard is, tell you how to reduce the chance of injury, and tell you what can happen if the instructions are not followed.

NOTE:

To continuously improve its products, VIVOHOME reserves the right to modify this information without prior notification.

Please contact customer service via support@vivohome.com with any questions, comments, or concerns. Thank you for using VIVOHOME products in your home!

**Thank You For Purchasing From
VIVOHOME**

✉ support@vivohome.com

www.vivohome.com

MADE IN CHINA

When using electrical appliances, basic safety precautions should be followed to reduce the risk of fire, electric shock, and injury to persons or property. Read all instructions before using any appliance.

- This appliance can be used by children aged from 8 years and above and persons with reduced physical, sensory or mental capabilities or lack of experience and knowledge if they have been given supervision or instruction concerning use of the appliance in a safe way and understand the hazards involved. Children shall not play with the appliance. Cleaning and user maintenance shall not be made by children without supervision.
- Do not operate this, or any other appliance with a damaged cord.
If the supply cord is damaged, it must be replaced by the manufacturer or its service agent or a similarly qualified person in order to avoid a hazard.
This ice-cream maker must be positioned so that the plug is accessible.
Connect to properly polarized outlets only. No other appliance should be plugged into the same outlet. Be sure that the plug is fully inserted into the receptacle.
- Do not run the power cord over carpeting or other heat insulators. Do not cover the cord. Keep cord away from traffic areas, and do not submerge in water.
- We do not recommend the use of an extension cord, as it may overheat and become a risk of fire. If you must use an extension cord, use No.14AWG minimum size and rated no less than 1875 watts.
- Unplug the ice-cream maker before cleaning or making any repairs or servicing.
- Exercise caution and use reasonable supervision when appliance is used near children.
- Do not use your ice-cream maker outdoors. Place the ice-cream maker away from direct sunlight and make sure that there is at least 4inches (10 cm) of space between the back of your unit and wall. Keep a minimum distance of 4inches (10 cm) on each side of your unit free. Keep the enough air circulation around your unit.
- Do not clean your ice-cream maker with flammable fluids. The fumes can create a fire hazard or explosion.
- Do not tip over.
- If the ice-cream maker is brought in from outside in wintertime, give it a few hours to warm up to room temperature before plugging it in.
- Children should be supervised to ensure that they do not play with the appliance.
- This appliance must be earthed.
- Do not store explosive substances such as aerosol cans with a flammable propellant in this appliance.
- This appliance is intended to be used in household and similar applications such as
 - staff kitchen areas in shops, offices and other working environments;
 - farm houses and by clients in hotels, motels and other residential type environments;

- bed and breakfast type environments;
- catering and similar non-retail applications.

- DANGER – Risk Of Fire or Explosion. Flammable Refrigerant Used. Do Not Use Mechanical Devices To Defrost Ice Maker. Do Not Puncture Refrigerant Tubing.



- DANGER – Risk Of Fire Or Explosion. Flammable Refrigerant Used. To Be Repaired Only By Trained Service Personnel. Do Not Puncture Refrigerant Tubing.
- CAUTION – Risk Of Fire Or Explosion. Flammable Refrigerant Used. Consult Repair Manual/Owner's Guide Before Attempting To Install or Service This Product. All Safety Precautions Must be Followed.
- CAUTION – Risk Of Fire Or Explosion. Dispose Of Property In Accordance With Federal Or Local Regulations. Flammable Refrigerant Used .
- CAUTION-Risk Of Fire Or Explosion Due To Puncture Of Refrigerant Tubing; Follow Handling Instructions Carefully. Flammable Refrigerant Used.
- The ice maker should be installed in accordance with the safety standard for Refrigeration Systems, ASHRAE15. The ice maker shall not be installed in corridors or hallways of public buildings.
- If the unit is with problem need to be maintained, that replacing with like components and that servicing shall be done by factory authorized service personnel, so as to minimize the risk of possible ignition due to incorrect parts or improper service.

IMPORTANT:

The wires in this mains lead are colored in accordance with the following code:

Green or Green with a strip Yellow:	Grounding
White:	Neutral
Black:	Live

WARNING: To avoid a hazard due to instability of the appliance, it must be placed at an even or flat surface.

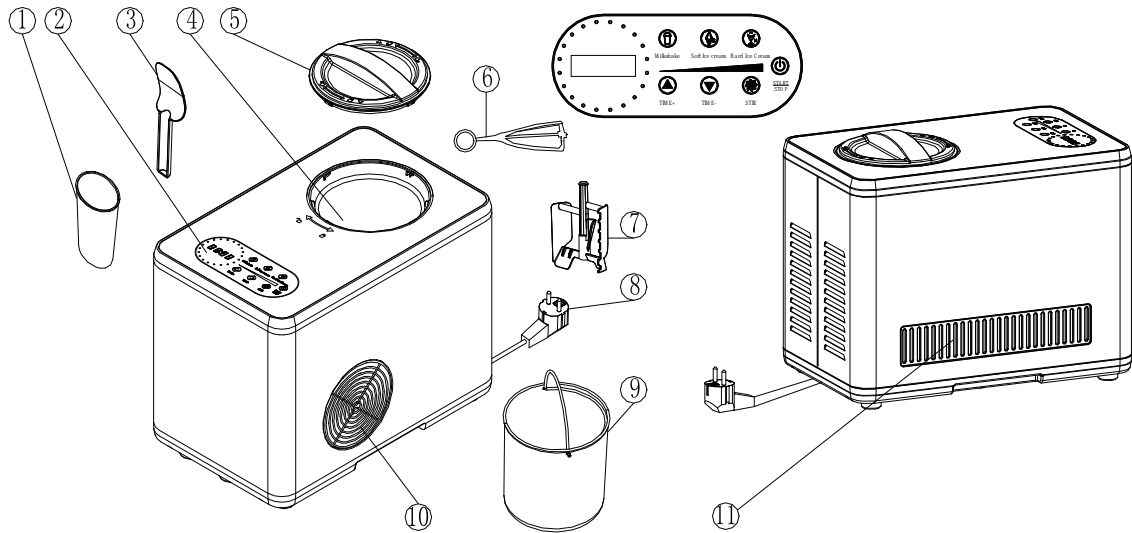
WARNING: When positioning the appliance ensure the supply cord is not trapped or damaged.

WARNING: Do not locate multiple portable socket-outlets or portable power supplies at the rear of the appliance.

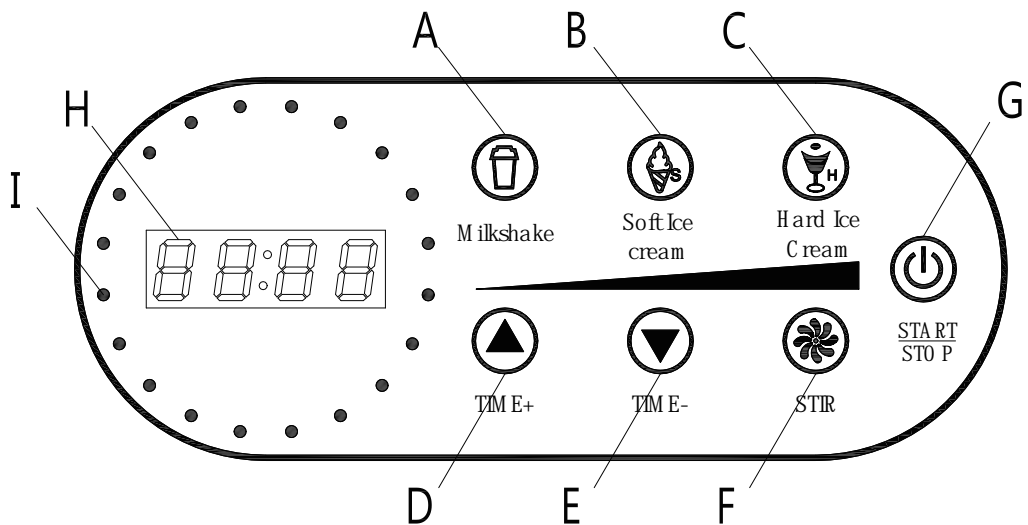
GETTING TO KNOW YOUR UNIT

General instruction

1. Measuring Cup
2. Touchpad Control Panel with LED display
3. Ice Cream Shovel
4. Rotation shaft of stir motor
5. Transparent cover
6. Ice Cream Scoop
7. Mixing Paddle
8. Power plug.
9. Mixing Bowl with Lift-Out Handle
10. Hot Air outlet
11. Cold Air inlet



Position of control panel & function



OPERATING PROCEDURES & MAINTENANCE

Touch Control Panel:

- A. Button to select milkshake function
- B. Button to select soft ice-cream function
- C. Button to select hard ice-cream function
- D. Button to increase the ice cream making time
- E. Button to decrease the ice cream making time
- F. Button to select stir function
- G. Button to turn on/off the unit.
- H. LED display window
- I. LED Light for work state and system warning indicator

UNPACKING YOUR ICE-CREAM MAKER

1. Remove the exterior and interior packaging. Check if all the parts, such as the paddle, ice-cream mixing bowl, and ice-cream scoop etc., are inside. If any parts are missing, please contact our customer service.
2. Clean the ice-cream mixing bowl, paddle, and ice-cream scoop first.
3. Put the unit on a level & flat counter top, and without direct sunlight and other sources of heat (i.e.: stove, furnace, radiator).
4. Make sure that there is at least 10mm gap between the back & LH/RH sides with the wall.
5. Allow one hour for the refrigerant fluid to settle before plugging in the unit.
6. The appliance must be positioned so that the plug is accessible.

CONNECTING YOUR ICE-CREAM MAKER



DANGER

*** Improper use of the grounded plug can result in the risk of electrical shock. If the power cord is damaged please call our customer service.**

1. This unit should be properly grounded for your safety. The power cord of this appliance is equipped with a grounding plug which mates with standard grounding wall outlets to minimize the possibility of electric shock.
2. Plug your appliance into an exclusive, properly installed, grounding wall outlet. Do not under any circumstances; damage the grounding means of the plug under any circumstances. Any questions concerning power and/or grounding should be directed toward a certified electrician.
3. This appliance requires a standard 110-120Volt, 60Hz electrical outlet with good grounding means.
4. **DO NOT** immerse the compressor/motor base in water.

CLEANING AND MAINTAINING YOUR ICE-CREAM MAKER

Before using your ice-cream maker, it is strongly recommended to clean it thoroughly.

1. Turn the transparent cover by counterclockwise, be sure the arrow on lid is lined up with the lock icon on the base, and then you can take the cover out.
2. Take out the paddle and ice-cream mixing bowl.
3. Use a dry, clean, soft cloth to clean the internal wall of the ice-cream making house smoothly, no need to use water or wet cloth to clean it.
4. The outside of the unit should be cleaned regularly with a mild detergent solution and warm water. **DO NOT** immerse the compressor/motor base in water. It will wet the inside electrical parts and cause the electrical safety problem.
5. Then you can put the transparent cover, paddle, ice-making mixing bowl, and the ice-cream scoop into the water, and use the wet and soft cloth to clean them. Then dry them before running the unit. **Warning:** Don't use the abrasive tool to wipe them.
6. Dry all the parts and exterior with a clean soft cloth.
7. Put back all the parts to the original position.
8. When the machine is not to be used for a long time, clean & dry all the parts and the unit.

How to make the ice-cream

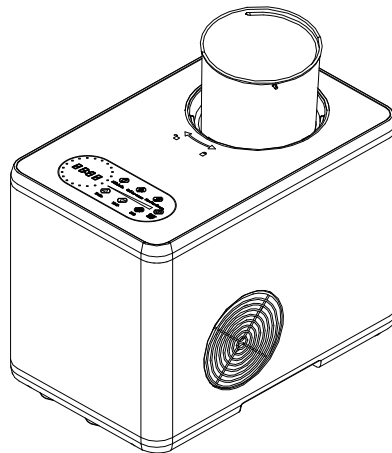
Please prepare the material of the ice-cream per your personal food recipe or the attached recipe paper. No need to put the material and the ice-cream mixing bowl into freezer for freezing ahead, this ice-cream maker can freeze the material and make the ice-cream directly.

Please follow the step:

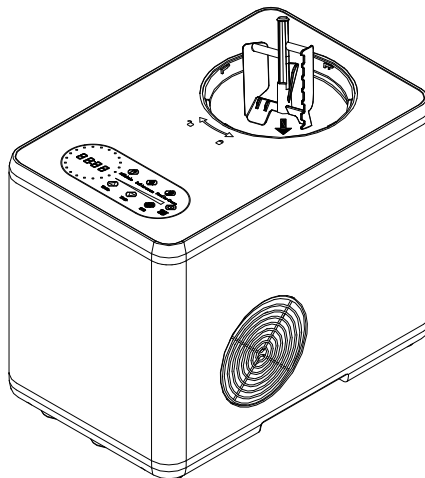
1/Put your ice-cream materials inside the ice-cream mixing bowl and also with some warm water, then stir smoothly and mix it uniformly.



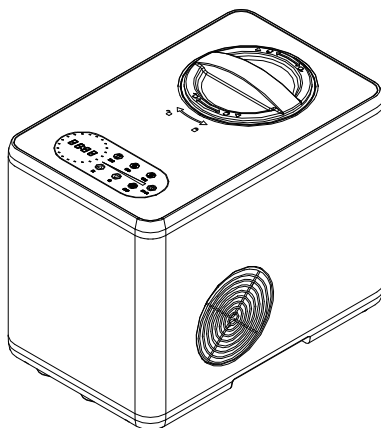
2/Put the ice-cream mixing bowl filled with material into the ice-cream making house.



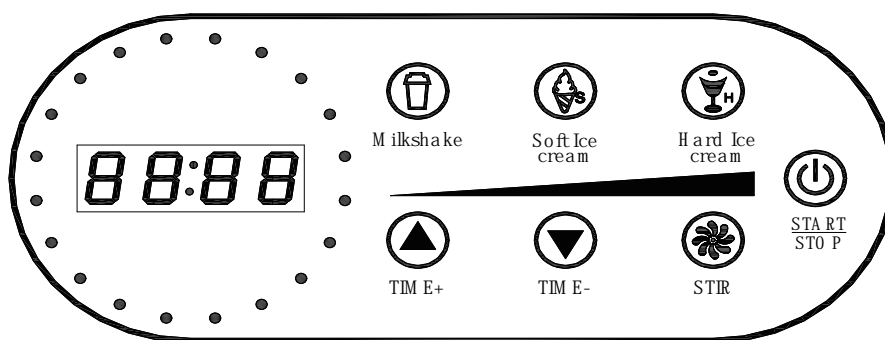
3/Install the paddle on the rotating shaft.



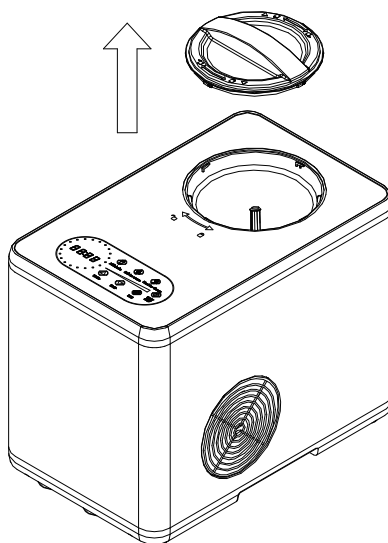
4/ Put back the transparent cover and turn it clockwise to install tightly. Then plug in the unit.



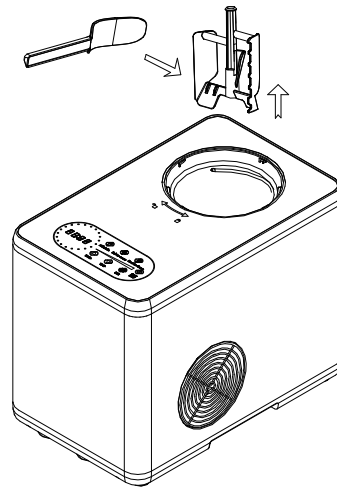
5/ Press the Milkshake/Soft Ice Cream/Hard Ice Cream or stir button to select the function, then press the START/STOP button to start or stop the function, also can press the TIME+ or TIME- button to change the duration time a little during the making process.



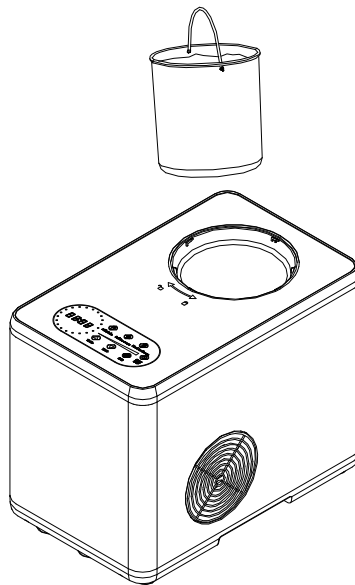
6/ You can add some other favorite ingredient during making process.



7/In order to dig out the sphere ice-cream from the bowl by the sphere ice-cream device after the hard ice-cream is made, please take out the paddle when making the hard ice-cream. Use the ice-cream scoop to wipe down the soft ice-cream from the surface of paddle and then make hard ice cream.



8/Once the ice-cream making process completed, you can enjoy it at once. If you don't finish, you can put the ice-cream mixing bowl back in the ice-cream making housing to keep cool.



WARNING:


1/With the ice-cream making time passed, the ice-cream become more harder, the stir motor will be locked and the paddle will stop rotating. It is normal, but when the unit enters the hard ice-cream making process, the internal control system will buzz to remind you, please take out the paddle.

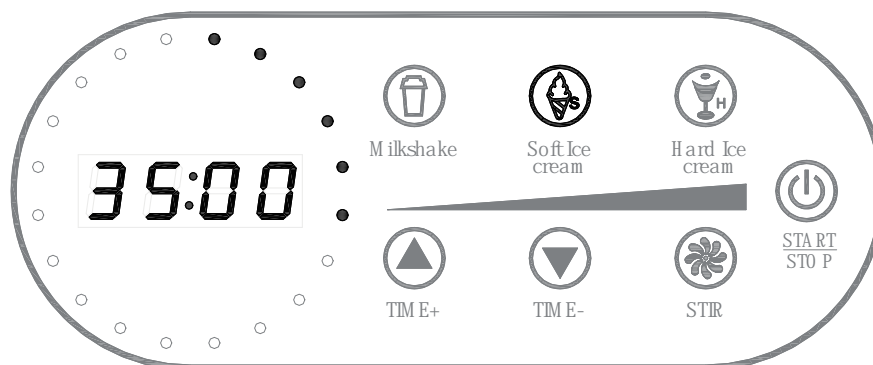
2/ Be sure don't pour ice-cream material volume exceeding 60% of the ice cream mixing bowl maximum capacity. Otherwise it will overflow the bowl.

3/ When making the soft ice-cream, it may frost between the ice-cream mixing bowl and the ice-cream making house, please wait several minutes to let the frost melt, then take out the ice-cream mixing bowl.





4/ When making the hard ice-cream, it may frost between the ice-cream mixing bowl and the ice-cream making house, please wait longer to let the frost melt, then take out the ice-cream mixing bowl.

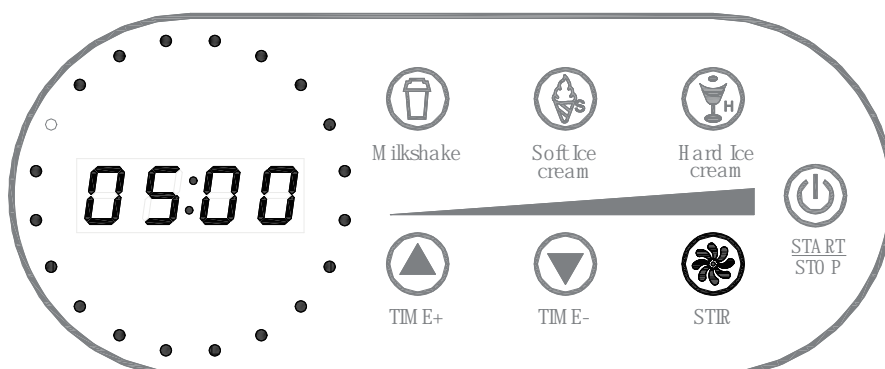
Instruction for operation the control panel

1、 Plug your ice-cream maker into the main power outlet, all the LED lights will be on for 3 seconds, after that, the  light will be on, LED display window will show “35:00”, some of the lights in circle will be on. The program defaults to soft ice cream function.









2、 You can let the paddle work only first to blend the ice-cream material completely.

Press the “Stir” button , the LED display window will display like the following picture. It means the default time for paddle work is 5 minutes, you can press the “Start/Stop”  button to start/stop stirring, and also you can use the “TIME+”  or “TIME-”  button to change the paddle working time, one time is 3 minutes.





If you don't need the paddle work first to blend the ice-cream material, just move to the next step.

3、 The default set is soft ice-cream function, the  light is on. You can also press the  button to change to hard ice-cream function, press the  button to change to milkshake function, as the same way, press the  button to change to stir function only.

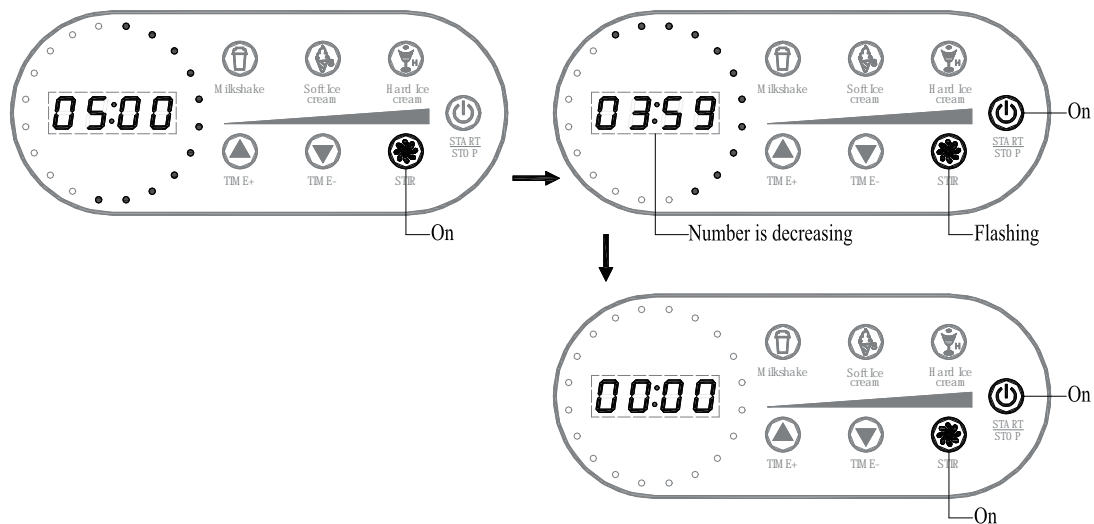
4、 Press the “START/STOP”  button to turn on the unit, the unit will start to work according to the above setting program. Press the “START/STOP”  button for two seconds, you will stop the function.

During the compressor running, you can also press the Stir button to Start or Stop the paddle rotating.

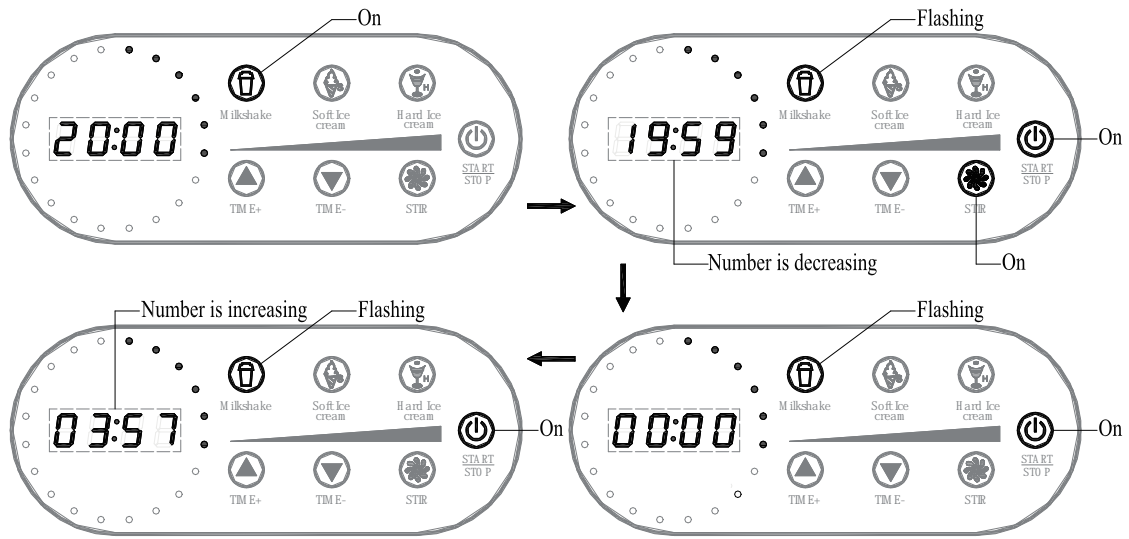
After starting to make the soft ice-cream, it will run according to the default time varied with the ambient temperature. And you can press the “TIME+”  or “TIME-”  button to change the ice-cream making duration time according to your personal taste.

Following pictures show how these functions work:

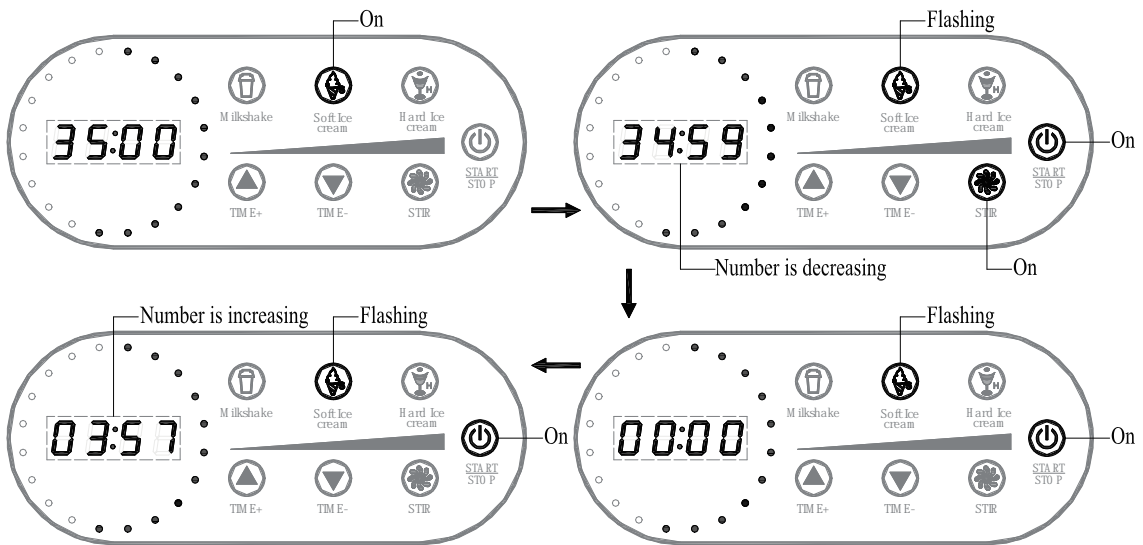
When Stir set:



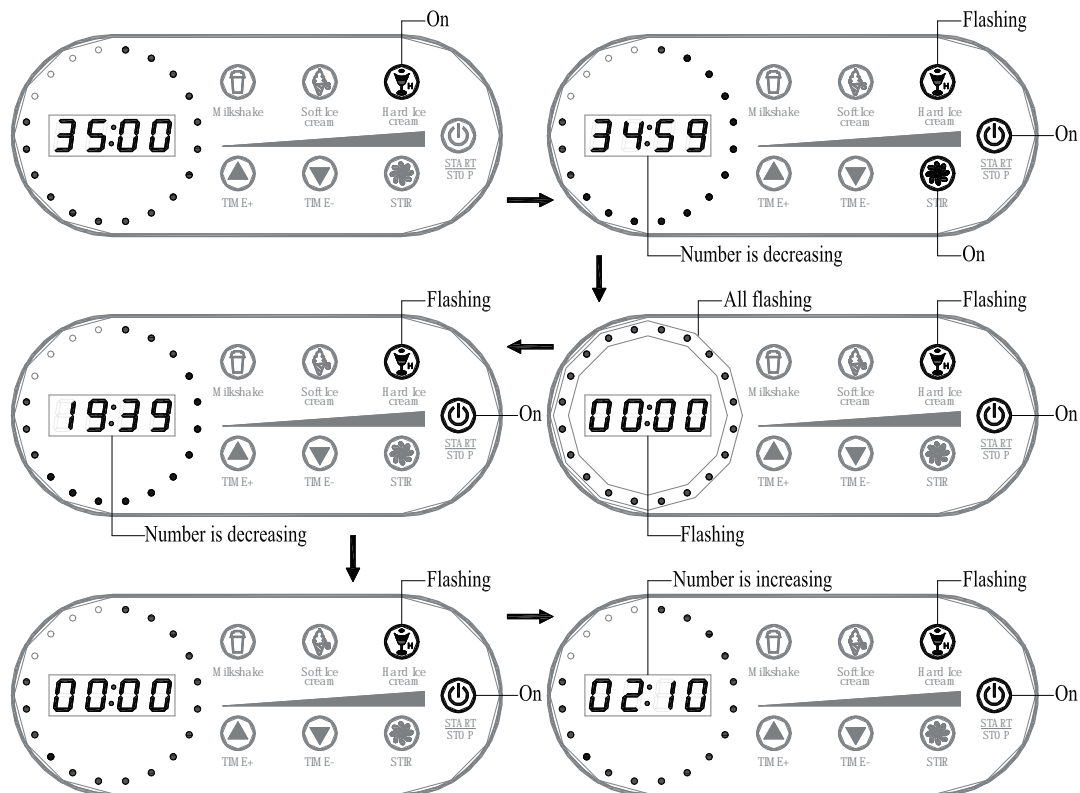
When Milkshake set:



When Soft ice-cream set:



When Hard ice-cream set:



During Hard ice-cream set, the buzz will sound for 30 seconds, and at same time all the lights in circle will flash 30 seconds, and the LED display window will flash 30 seconds too. Please take out the paddle, otherwise, the paddle will be frozen up with the ice cream.

Note 1: During the Soft ice-cream or the Hard ice-cream or the Milkshake making process, you can set the “TIME+” or “TIME-” button to change the ice-cream making duration time according to your taste.

Note 2: To stop the function, you have to press the “START/STOP”  button for two seconds.

Note 3: After count down, the unit start timing, during this time, compressor work intermittently to keep temperature from rising.

5、 It’s better to enjoy ice cream at once the whole process is completed, or pull out the ice-cream mixing bowl and store in your fridge to avoid melting.

6、 Press the Start/Stop button at any point in the Mixing/Cooling cycle to pause the time and mixing. You can add more material into the bowl. To restart, press the Start/Stop button again to continue.

TROUBLESHOOTING

PROBLEM	POSSIBLE CAUSE	SOLUTION
The ice-cream mixing bowl can't be taken out.	The water between the ice-cream mixing bowl and the ice-cream making house frozen.	Wait for several mins, and then take the mixing bowl out. Make sure mixing bowl and the base are dry before making ice cream.
The duration time is not over, but the paddle stop rotating.	The ice-cream becomes harder, the stir motor stuck.	Turn off the unit, take out the ice-cream mixing bowl and scoop out the ice-cream. Restart the unit, then the paddle will recover to rotate.
The ice-cream mixing bowl can't be put into the ice-cream making housing.	The ice-cream mixing bowl maybe deformed	Verify with the service department and buy a new mixing bowl.
When just starting to run, the serious noise happens from the paddle or the paddle is locked.	The ice-cream mixing bowl maybe deform because of not proper using	Verify with the service department and buy a new mixing bowl.