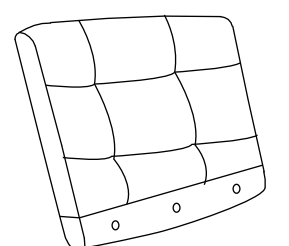
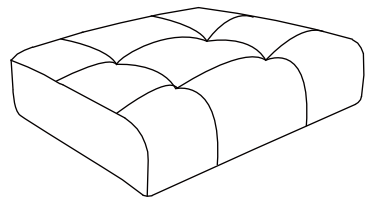
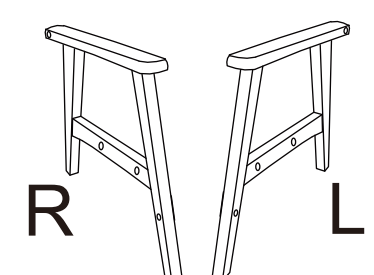
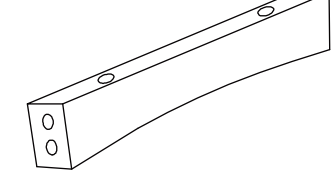
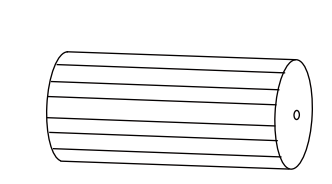
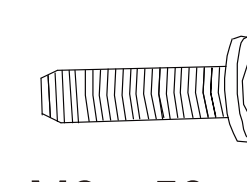
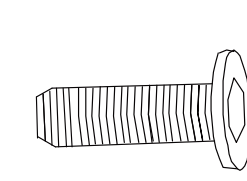
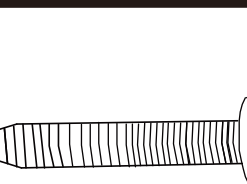
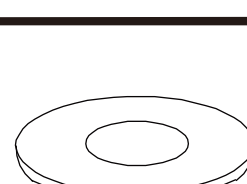
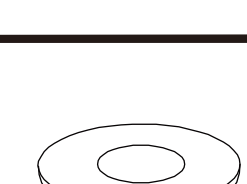





Instruction Manual

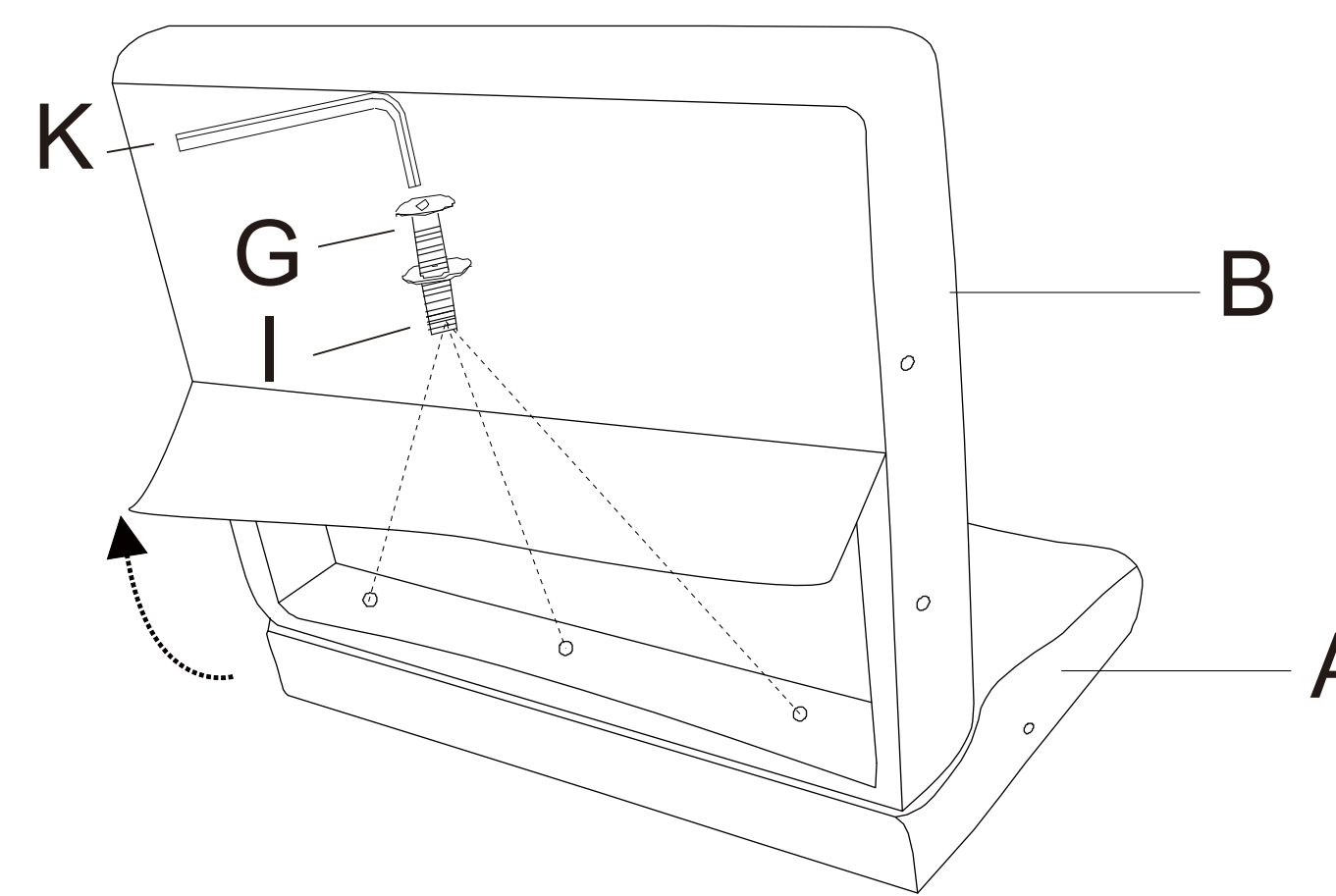
Please save this manual for future reference

Product Name	Accent Chair Living Room Upholstered Gray Armchair
--------------	----------------------------------------------------

A		1PCS
B		1PCS
C		1SET
D		1PCS
E		2PCS
F	 M6 x 50mm	7PCS
G	 M8 x 50mm	3PCS
H	 M6 x 70mm	2PCS
I	 M8 x 22mm	3PCS
J	 M6 x 12mm	9PCS
K		1PCS
M		8PCS
N		2PCS

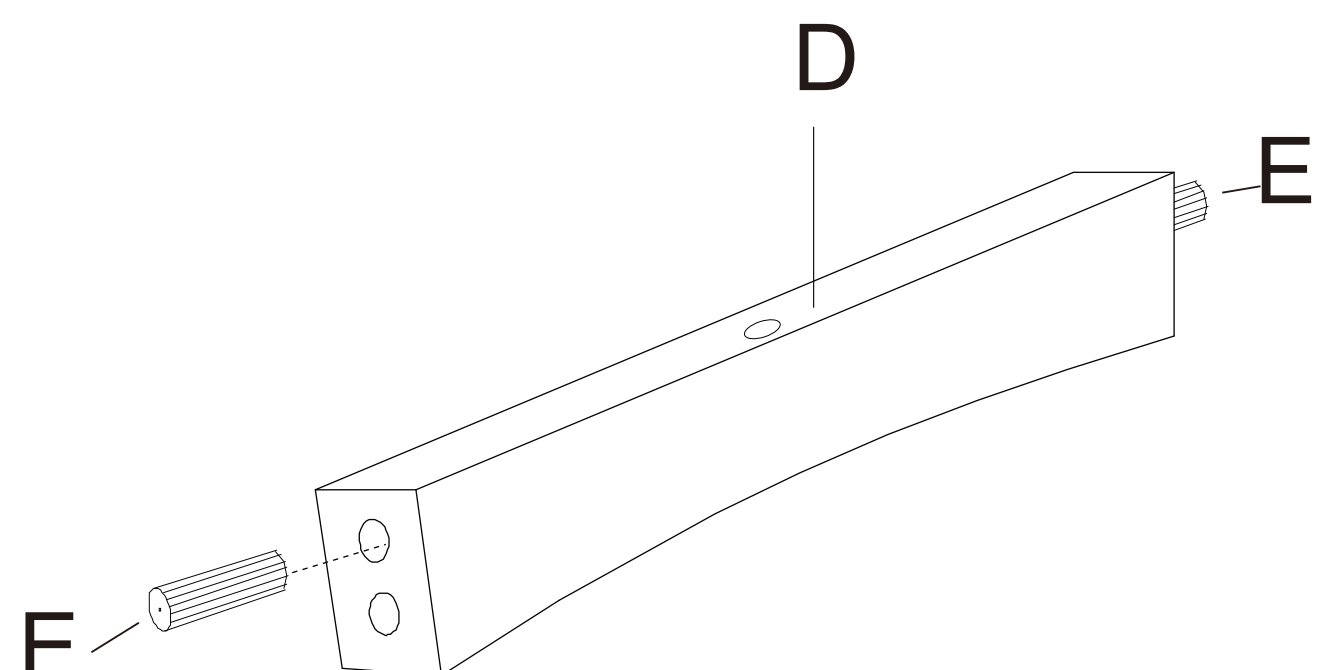
Step1

AX 1
B X 2
G X 3
I X 3
K X 1



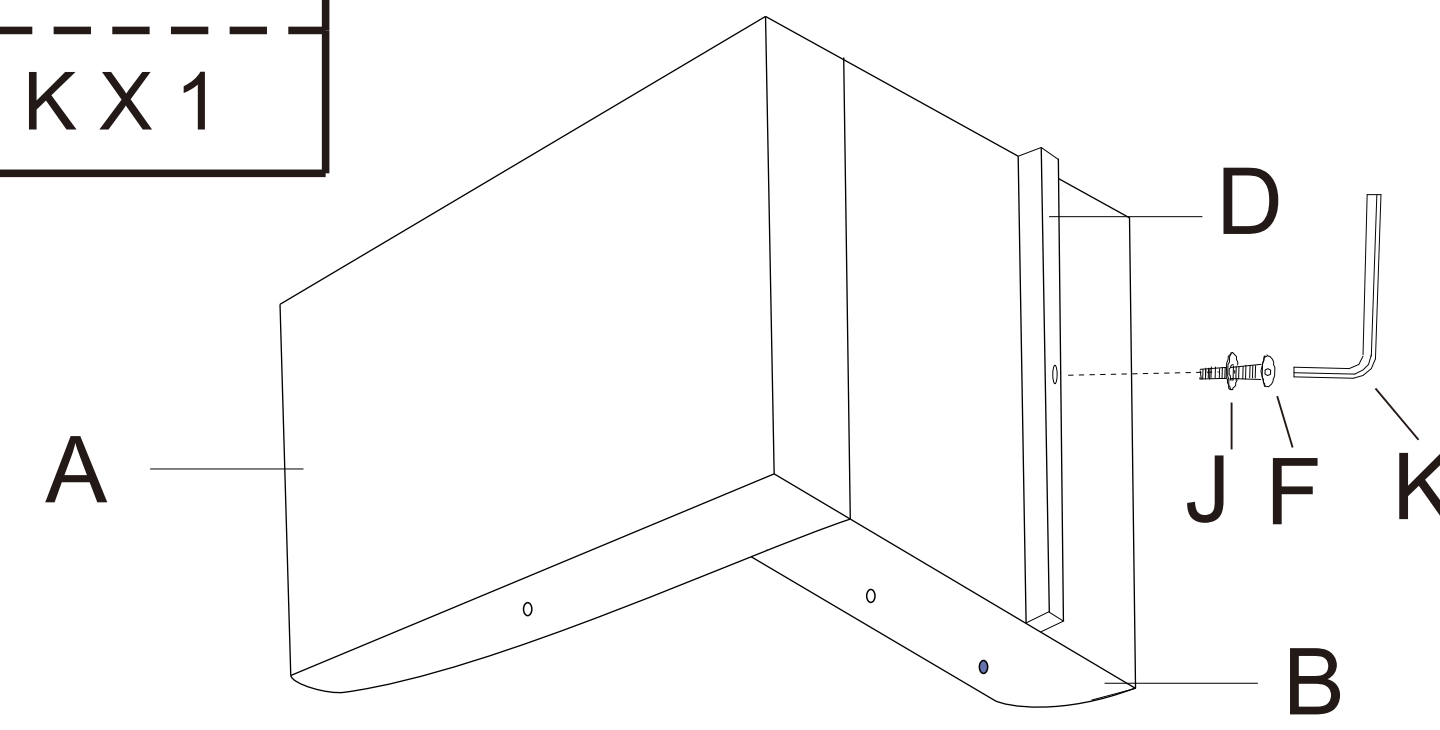
Step2

D X 1
E X 2



Step3

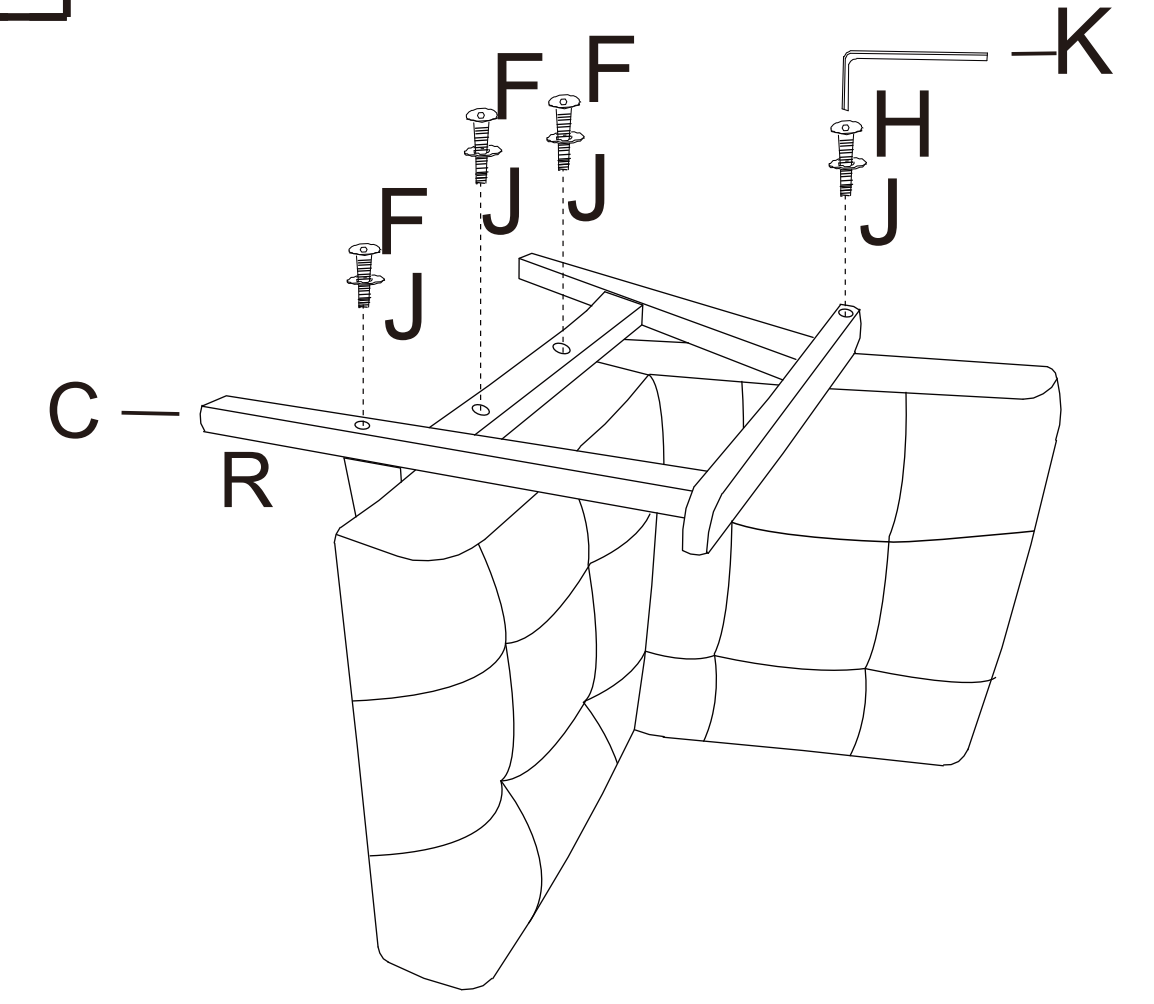
AX 1
B X 1
D X 1
FX 1
J X 1
K X 1



(screw tighten 80%)

Step4

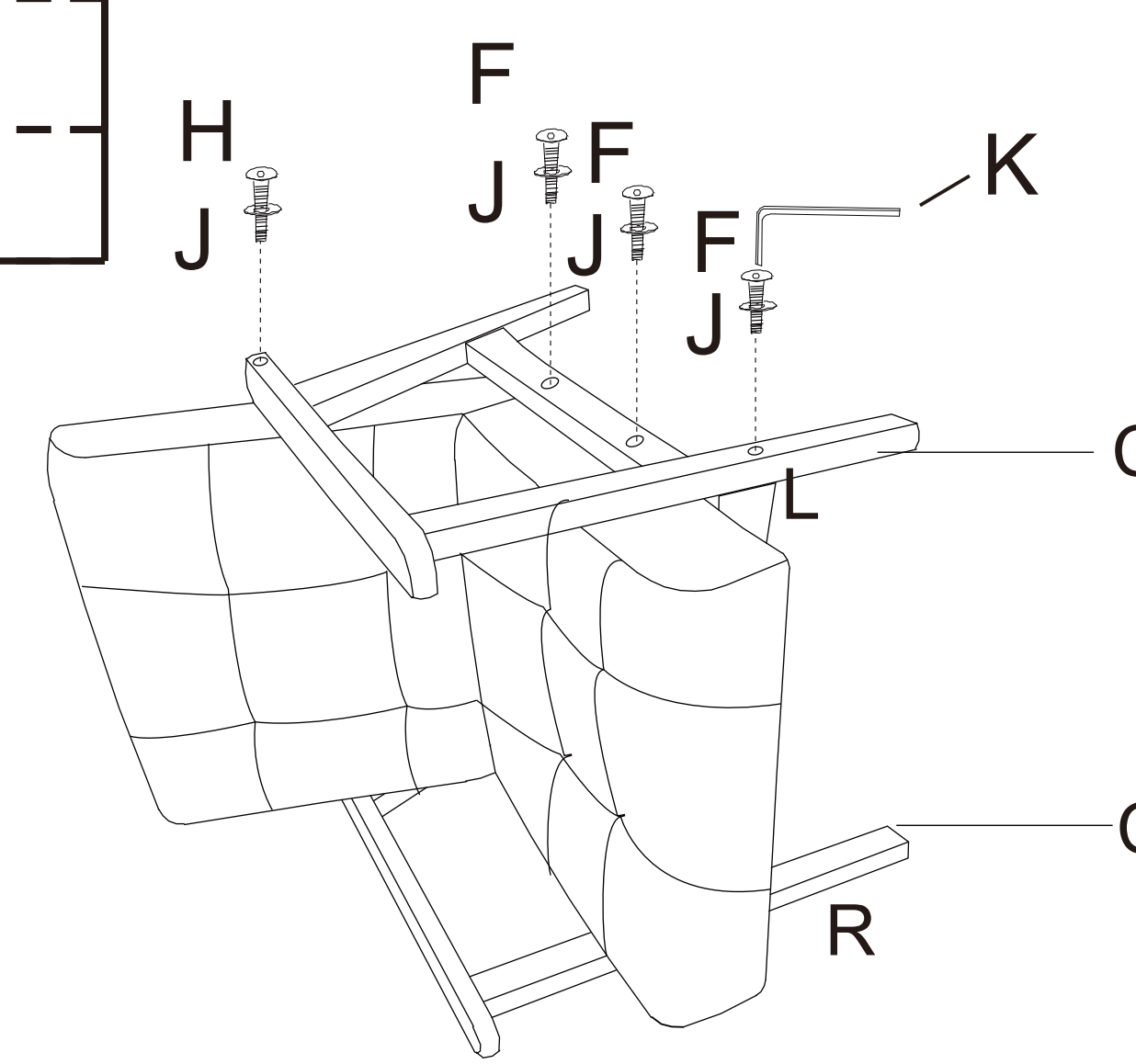
C X 1
FX 3
J X 4
H X 1
K X 1



(screw tighten 80%)

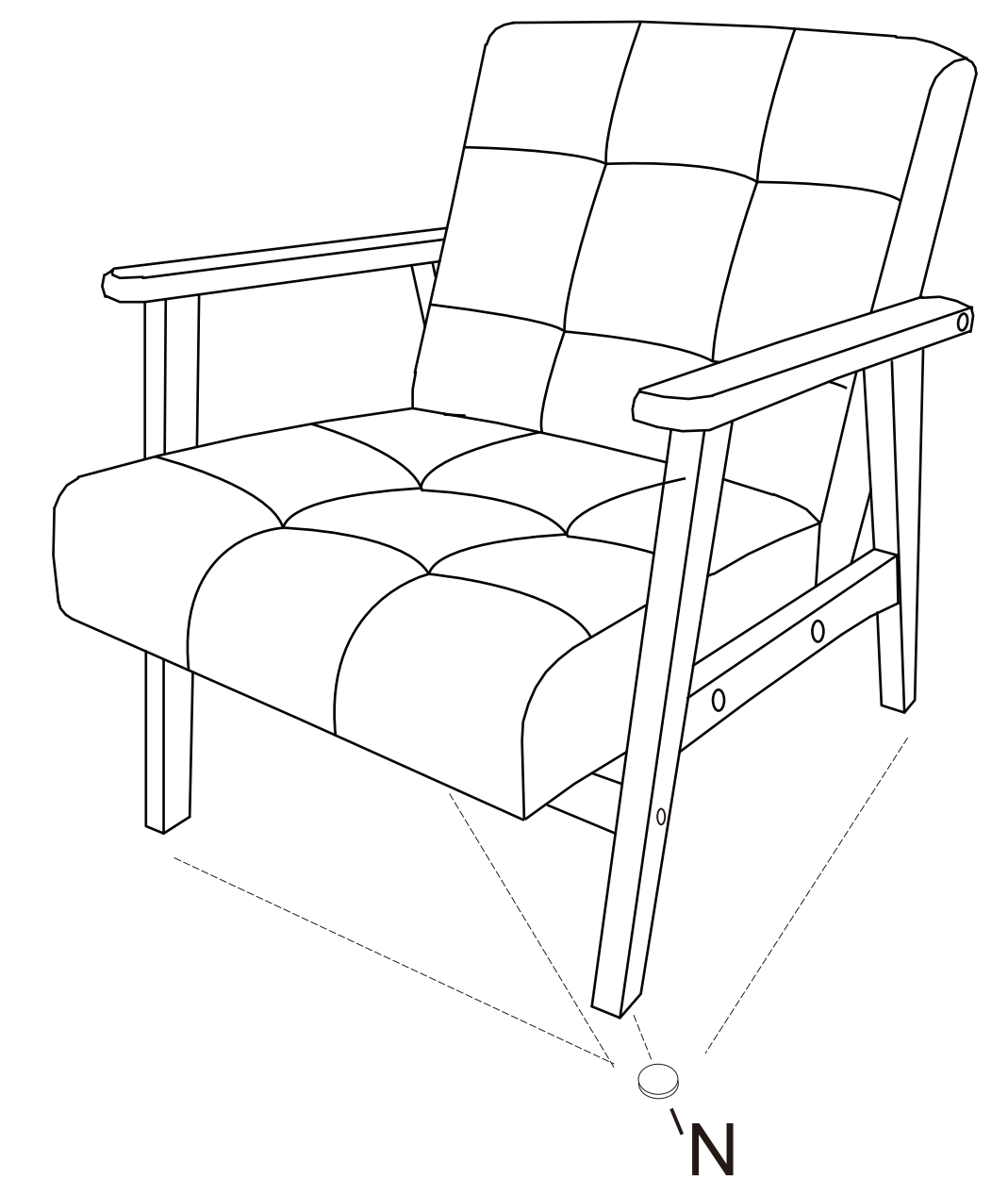
Step5

C X 1
FX 3
J X 4
H X 1
K X 1



(screw tighten 80%)

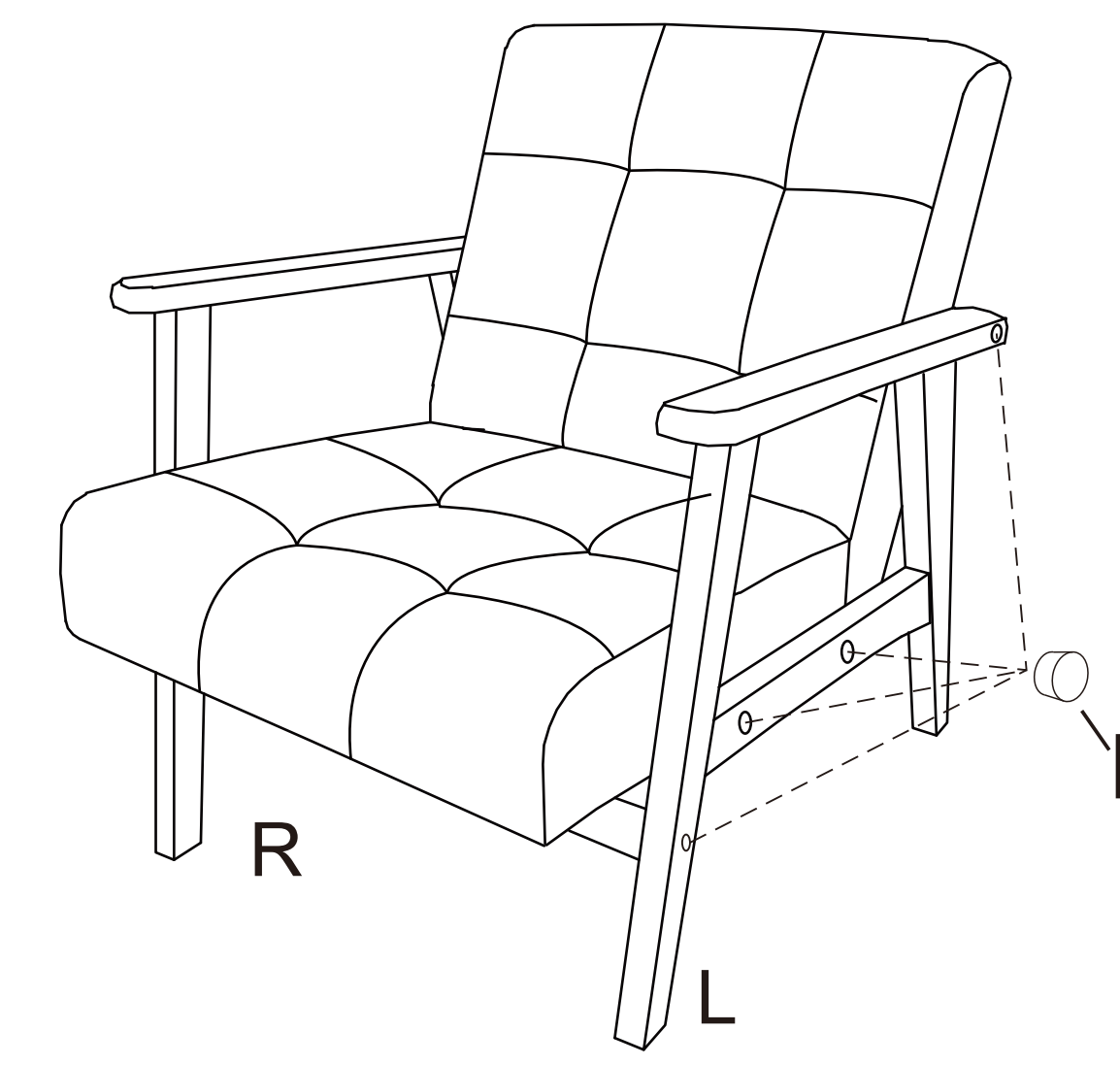
Step6



(Make sure the accent chair is leveled on the ground. Then tighten all the screws by 100%)

Step7

M X 8



WARNING: *DO NOT STAND ON THE CHAIR *THIS CHAIR IS DESIGNED TO SEAT ONE PERSON ONLY
***DO NOT USE THE CHAIR UNLESS ALL THE BOLTS AND SCREWS ARE FINALLY TIGHTENED**
***AT LEAST EVERY FOUR MONTHS, PLEASE CHECK ALL BOLTS AND SCREWS TO MAKE SURE THEY ARE SECURELY TIGHTENED**
***IF ANY PARTS ARE MISSING, BROKEN, DAMAGED, OR WORN, STOP USING THIS PRODUCT IMMEDIATELY UNTIL REPAIRS ARE MADE**
***FAILURE TO FOLLOW THESE WARNINGS COULD RESULT IN SERIOUS INJURY**