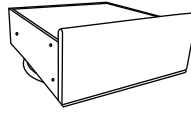


(1)X1

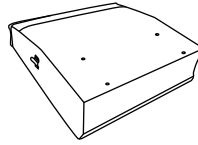


(A)X10



M8*60

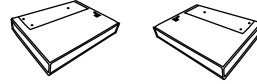
(2)X1



(B)X10



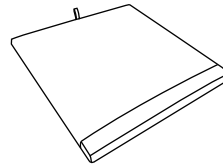
(3)X2



(C)X10



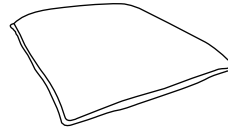
(4)X1



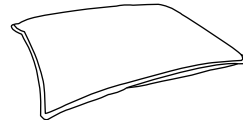
(D)X1



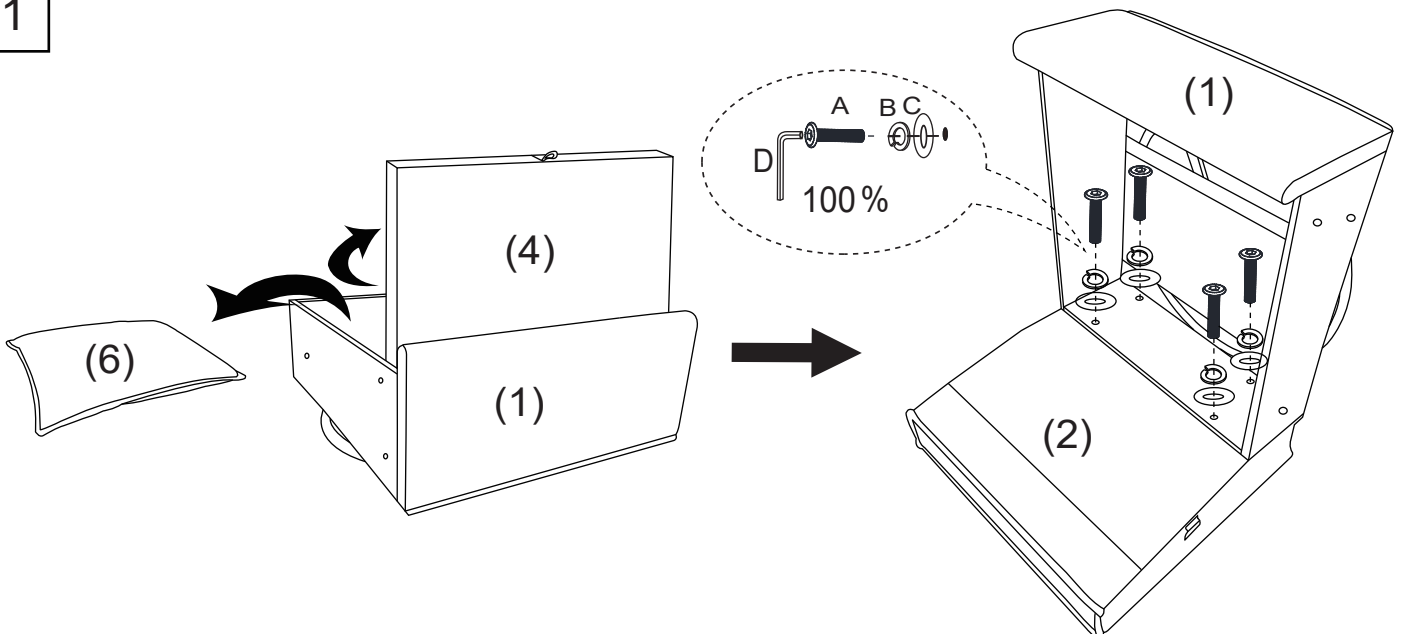
(5)X1



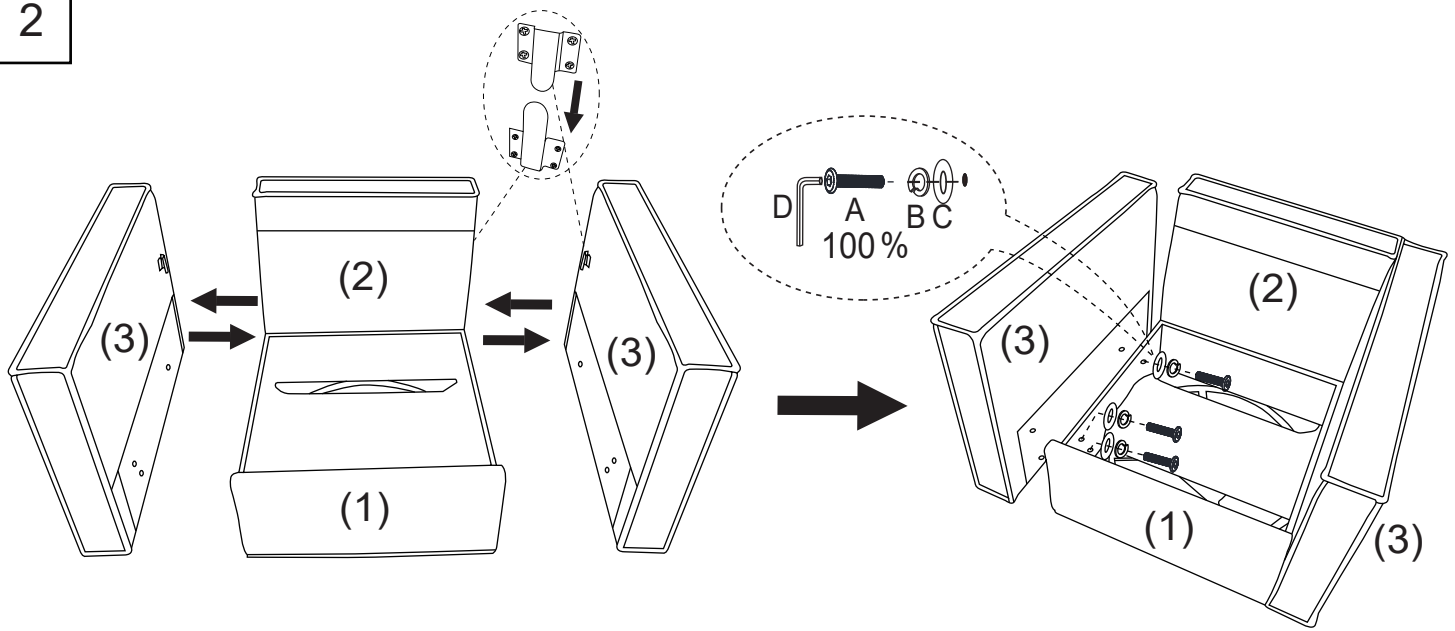
(6)X1



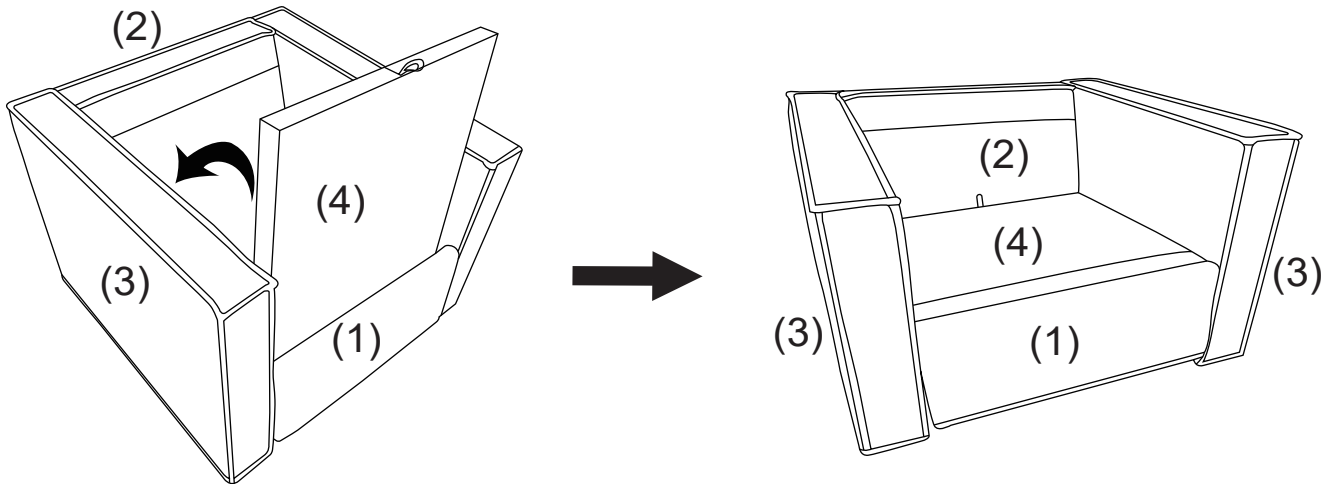
1



2



3



4

