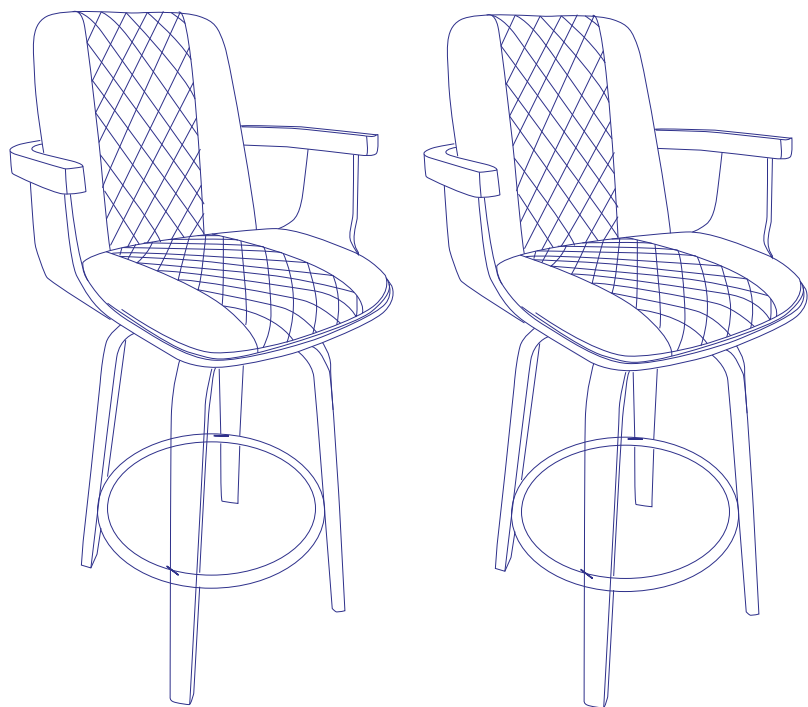


Barstools

Installation Manual



1	PRE-INSTALLATION PREPARATION	01
1-1	Thank you for choosing our products	01
1-2	Package contents	01
1-3	Precautions	01
2	INSTALLING MODULES	02
2-1	Product Assembly Diagram	02
2-2	Suggestion	02
2-3	Parts List	03
2-4	Assembly Steps	04
3	CUSTOMER SERVICE	07
4	PROBLEMS YOU MAY ENCOUNTER	08

Thank you for choosing our products

Before assembly, please read this Installation Manual first, and check according to Parts List to make sure all parts are included.

Package contents

Barstools

Assembly tools

Instruction manual

Precautions



Avoid long-term direct sunlight exposure.



Keep away from sharp objects.



Keep away from corrosive substances.

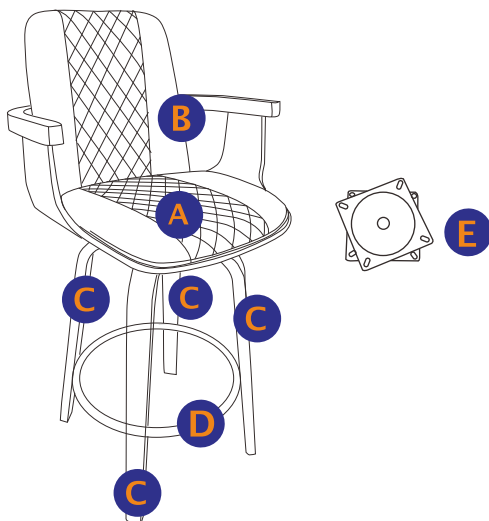


Keep infants/children away from assembled parts to avoid



This product must be assembled by an adult before use.

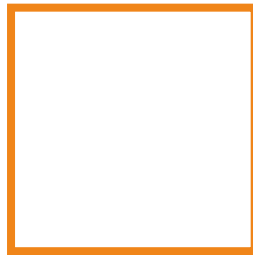
Product Assembly Diagram



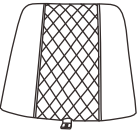



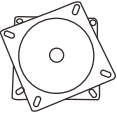

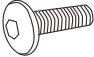
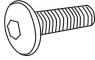
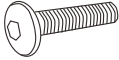


Suggestion



The installation
takes 15 minutes



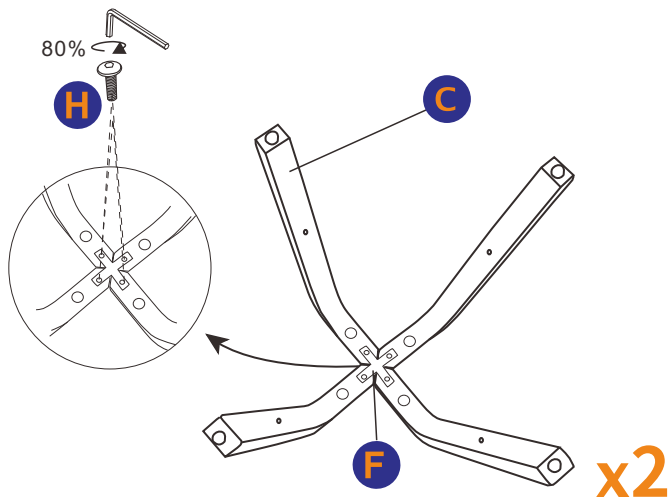
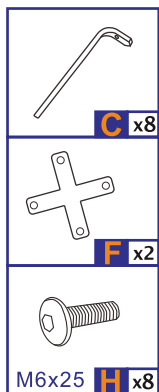
Parts List

 A x2	 B x2	 C x8	 D x2	 E x2
 F x2	 M6x20 G x8	 M6x25 H x20	 M6x30 I x8	 J x8
 K x2				

Assembly Steps

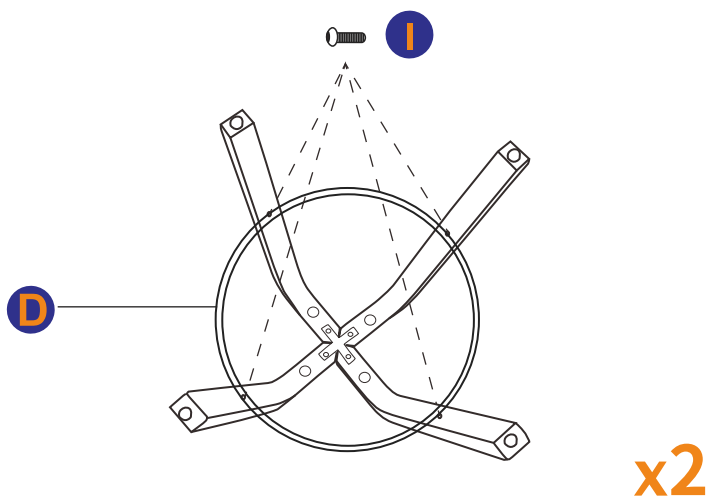
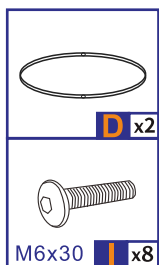
STEP1

Invert the four wooden legs (C), use screw (H) and Allen wrench (K) to fix them together with iron plate (F), and tighten to 80%.



STEP2

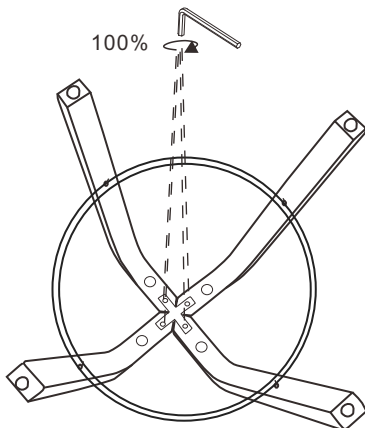
Use screws (I) and an Allen wrench (K) to secure the iron ring (D) to the wooden leg (C). First tighten the four screws by 50%, then tighten the screws to 100% after securing the iron ring.



Assembly Steps

STEP 3

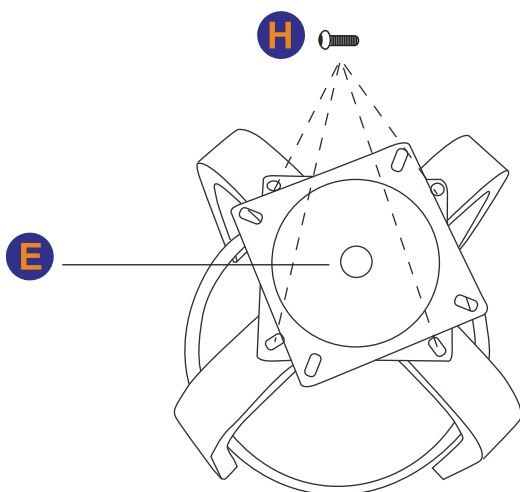
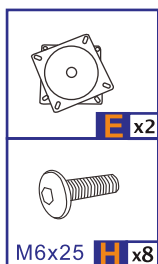
Use an Allen wrench (K) to tighten the screw (H) to 100%.



x2

STEP 4

Fix the turntable (E) onto the wooden leg (C) with screws (H).

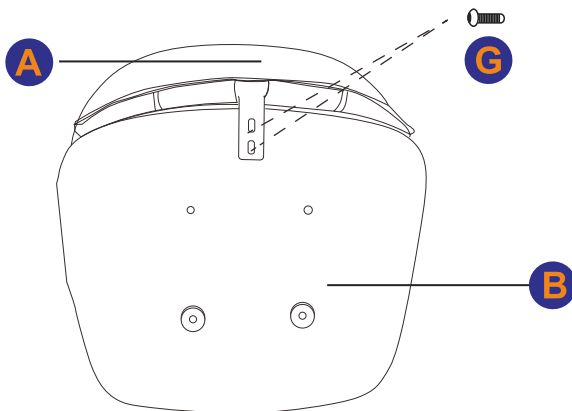


x2

Assembly Steps

STEP 5

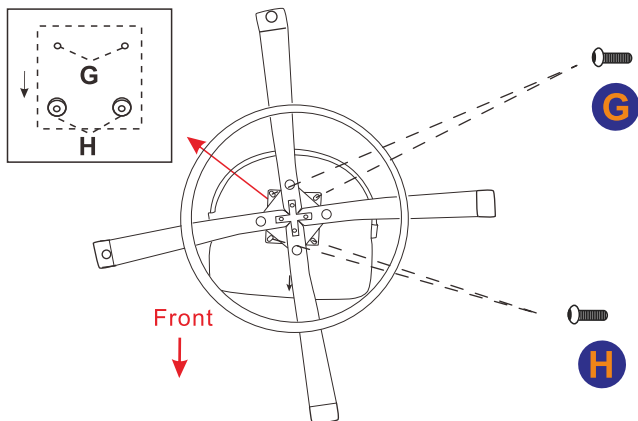
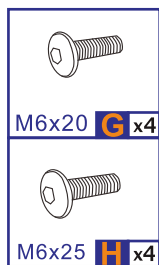
Fix the seat cushion (B) and backrest (A) together with screws (G).



x2

STEP 6

Fix the upper and lower parts together with screws (G) and (H), making sure that screw (H) is located in front of the seat cushion and screw (G) is located behind the seat cushion.

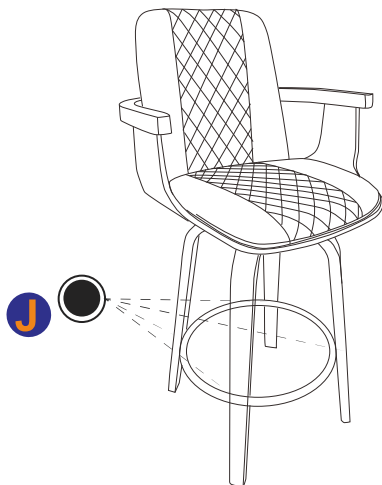
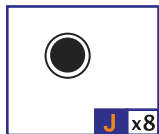


x2

Assembly Steps

STEP 7

Finally, install the accessory (J) on the outside of the chair legs.



CUSTOMER SERVICE

Quick Response within 24 Hours



If you are still unable to resolve the issue you are experiencing, please contact us immediately via our support email. It doesn't matter if the product has been installed or not, our customer support team will respond within 24 hours and assist you quickly and efficiently. The most efficient way to confirm your problem to us is to attach a video and photograph, which illustrates your product issues.

PROBLEMS YOU MAY ENCOUNTER

PART	PROBLEM	SOLUTION
ALL Product	Parts are missing, defective or having wrong parts in package	You can contact us via purchasing platform or reach us via email, and we will get back to you within 24 hours.
	Having issue(s) while reading the instruction or completing the assembly.	You can contact us and we will get back to you within 24 hours. Or, you can reach us via after-sales email.
	Encountering non-human caused damage during usage.	If the product is damaged due to non-human causes, please keep the product and send us photos of it. We will ascertain the cause of the product damage within 48 hours and provide you with a satisfactory solution.
	The product is unstable after being assembled.	<ol style="list-style-type: none"> 1. Check if the screws are tightened. 2. Read throughout the manual, check are there any parts installed incorrectly or missing assembled. 3. If your problem still can't be solved, please feel free to contact us.
	Broken, dirty or missing	You can contact us and we will get back to you within 24 hours. Or, you can reach us via after-sales email.