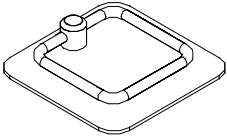

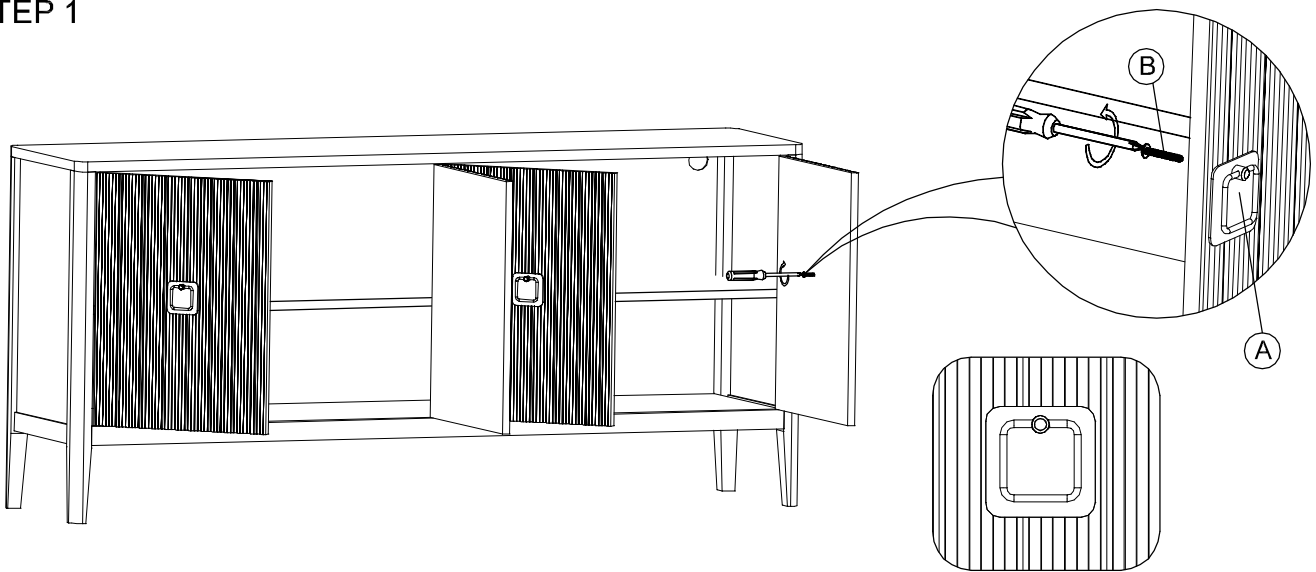


# ASSEMBLY INSTRUCTIONS HARDWARE

## PARTS

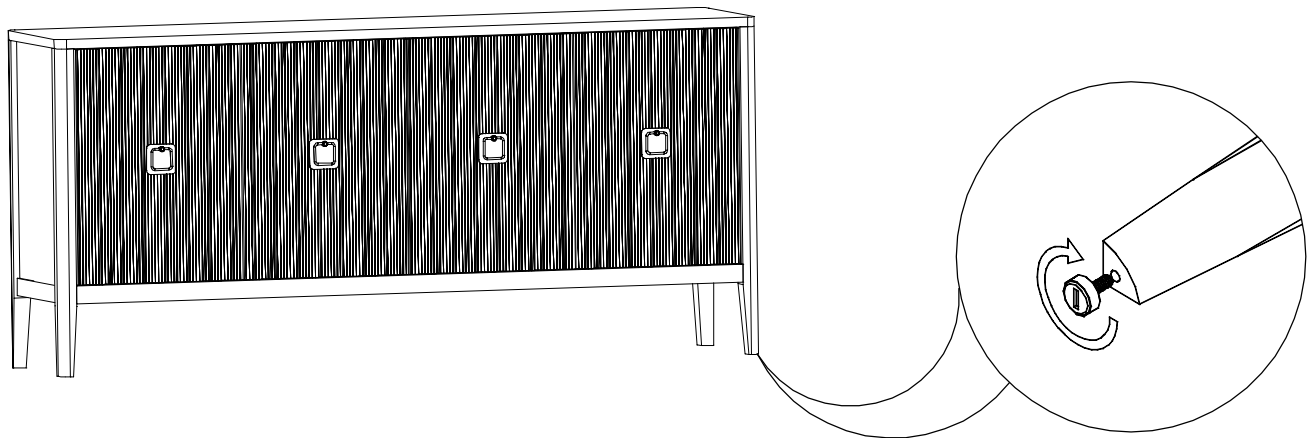
S. NO	DESCRIPTION	QNT
A	 HANDLE	04
B	 SCREW	04

### STEP 1



Install the handle on the outside of the door, then tie it with a screw and tighten it with a screwdriver






### COMPLETED

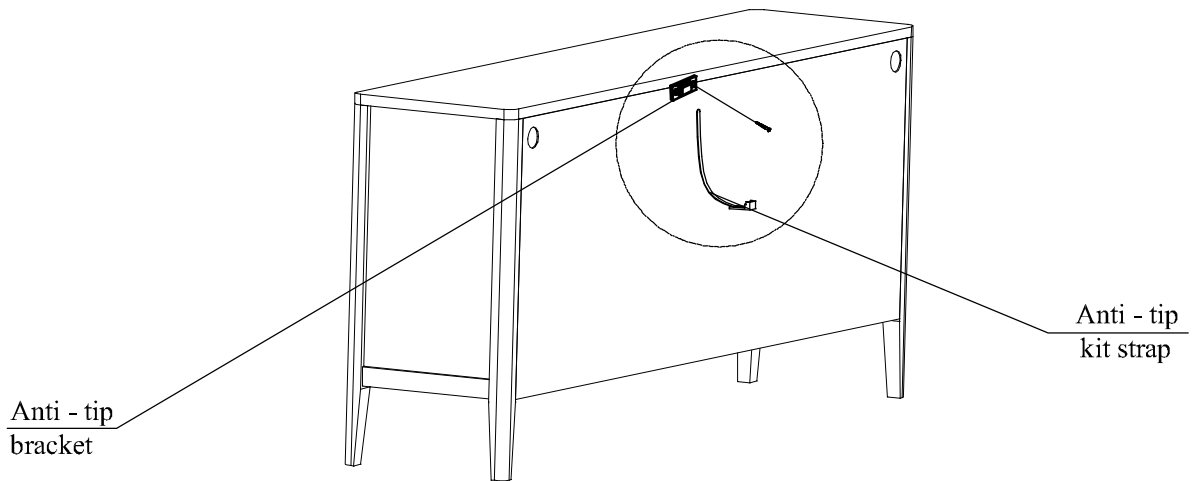
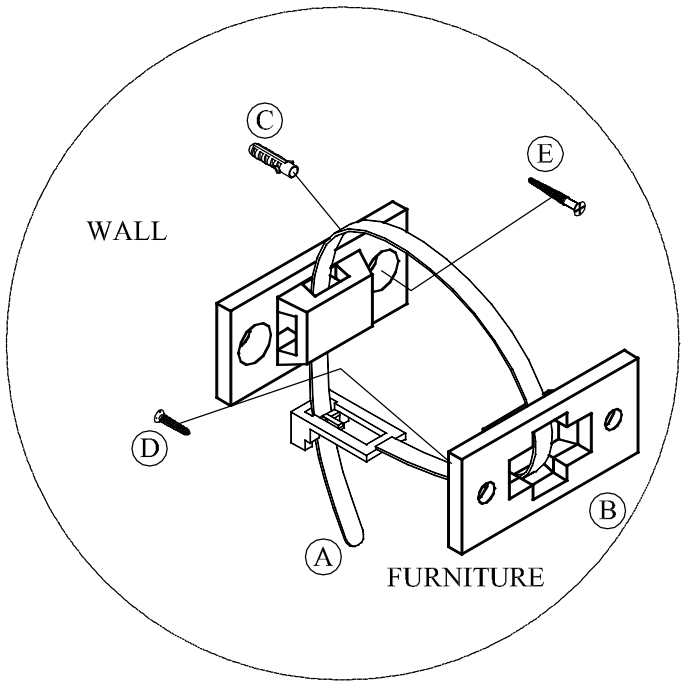


Leveller are provided at the bottom to the balance on uneven surface

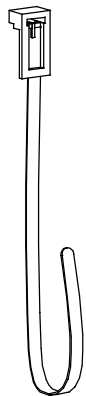
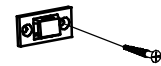
# ANTI - TIP KIT INSTALATION INTRUCTIONS

## A 4 DOOR CABINET 74 x 17 x 34

- A : 1X 
- B : 2X 
- C : 2X  S5
- D : 2X 
- E : 2X 



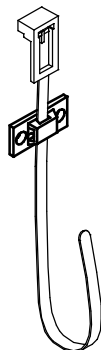
Attach this bracket to furniture



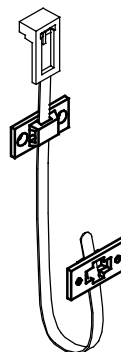
i



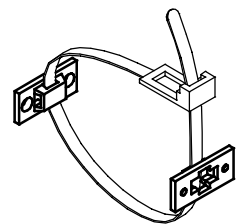
Attach this bracket to wall



ii



iii



iv