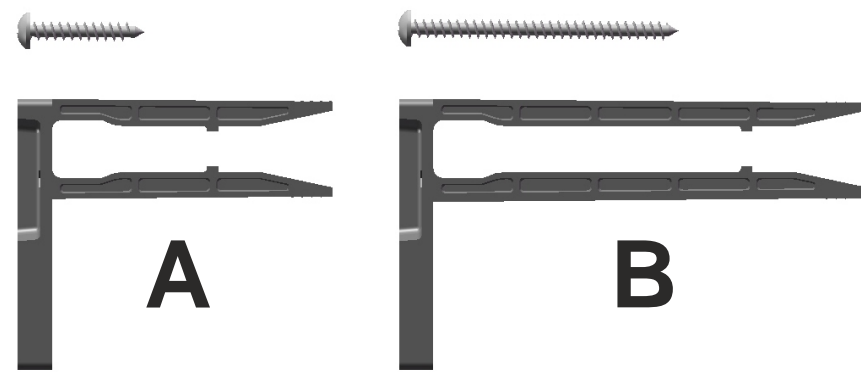


ZOCCOLO SUPPLEMENTARE
 ADDITIONAL SOCKET
 PRISE SUPPLÉMENTAIRE
 ZUSÄTZLICHE STECKDOSE
 BASE ADICIONAL

1

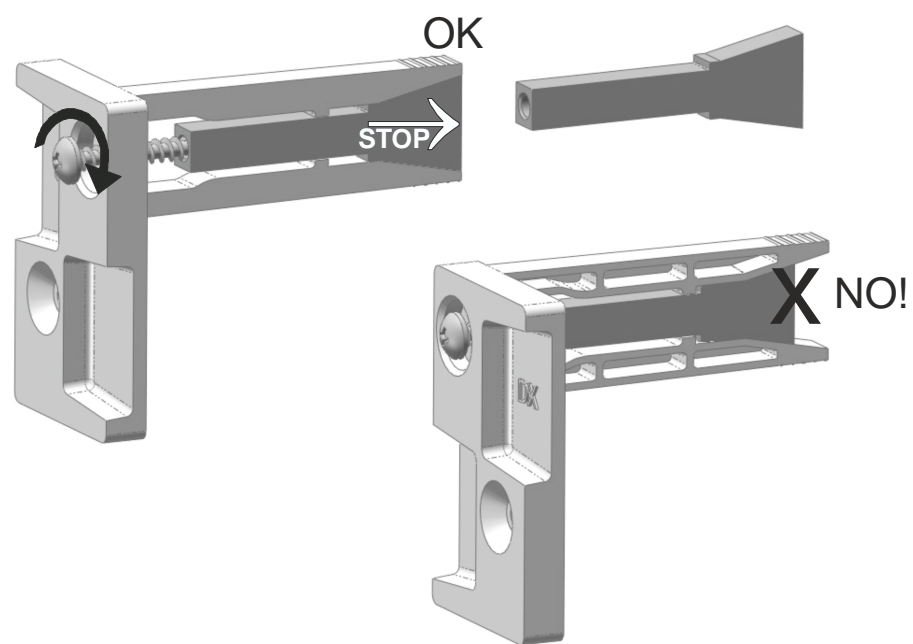


2

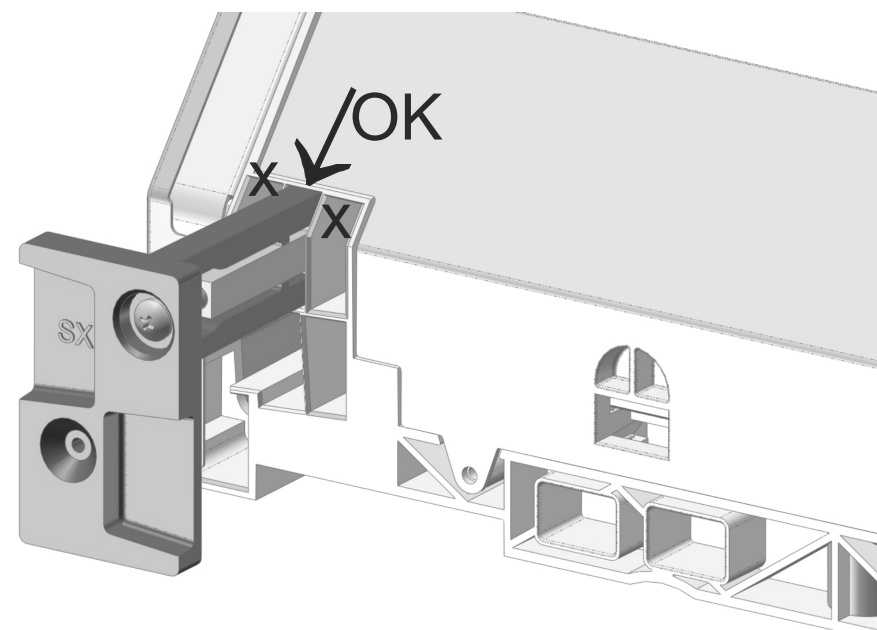


min 18 mm-max 58 mm
 min 0-45/64"-max 2-9/32" → A
 min 58 mm-max 100 mm
 min 2-9/32"-max 3-15/16" → B

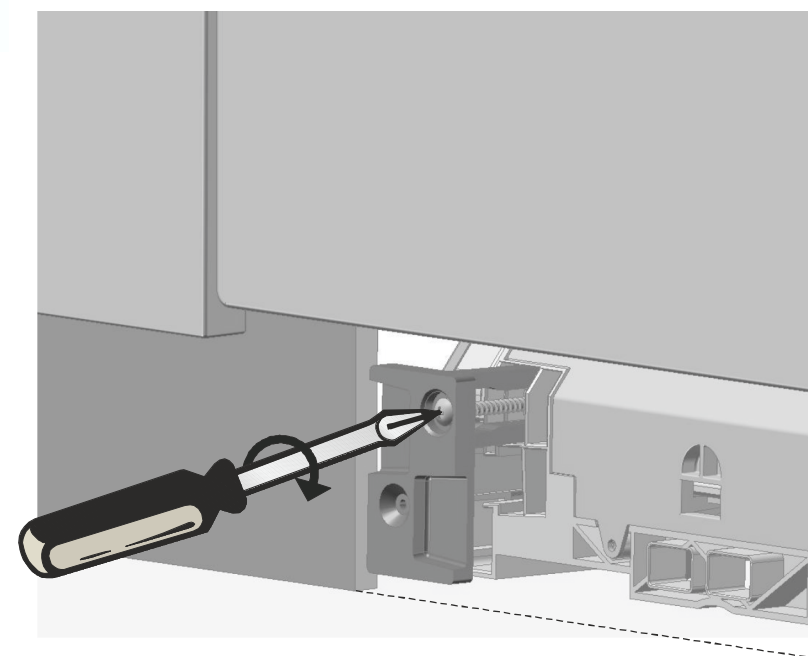
3



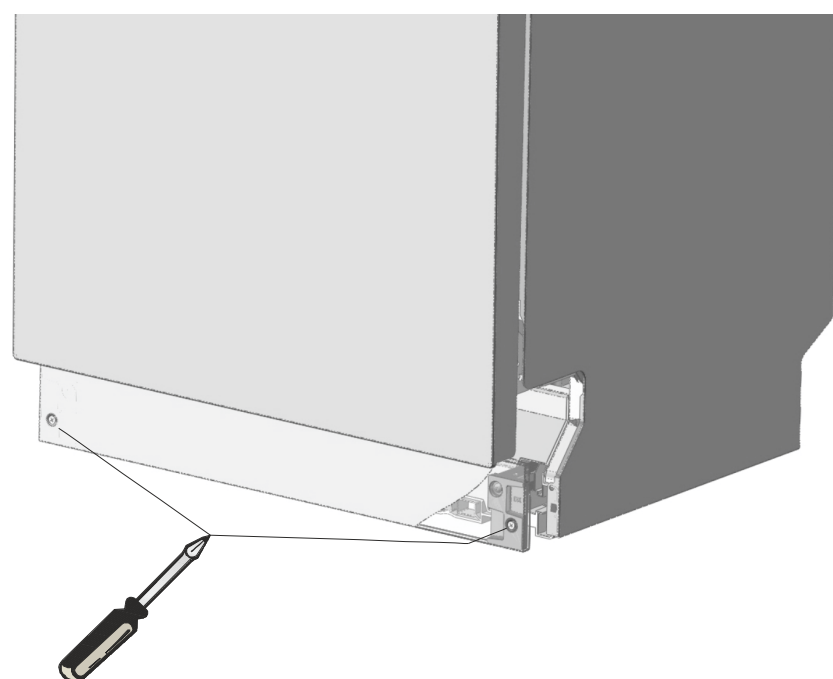
4



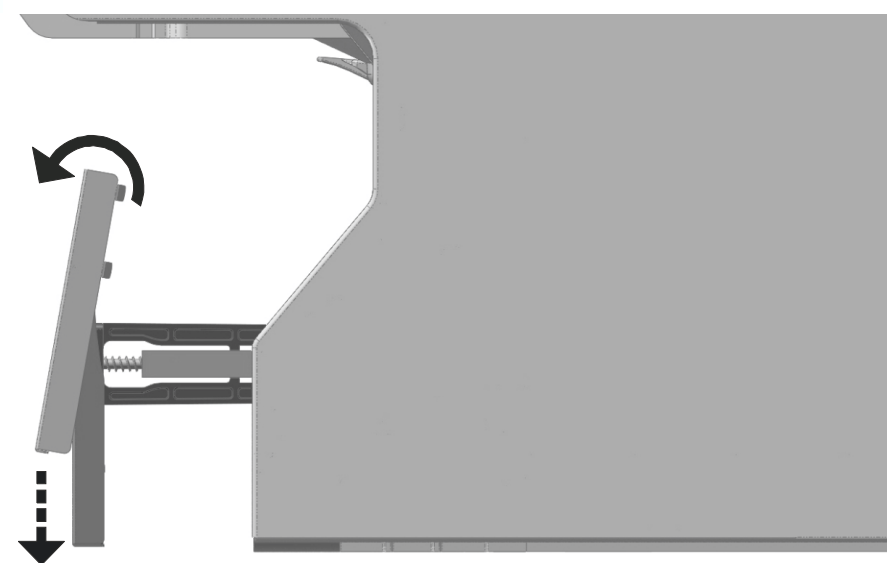
5



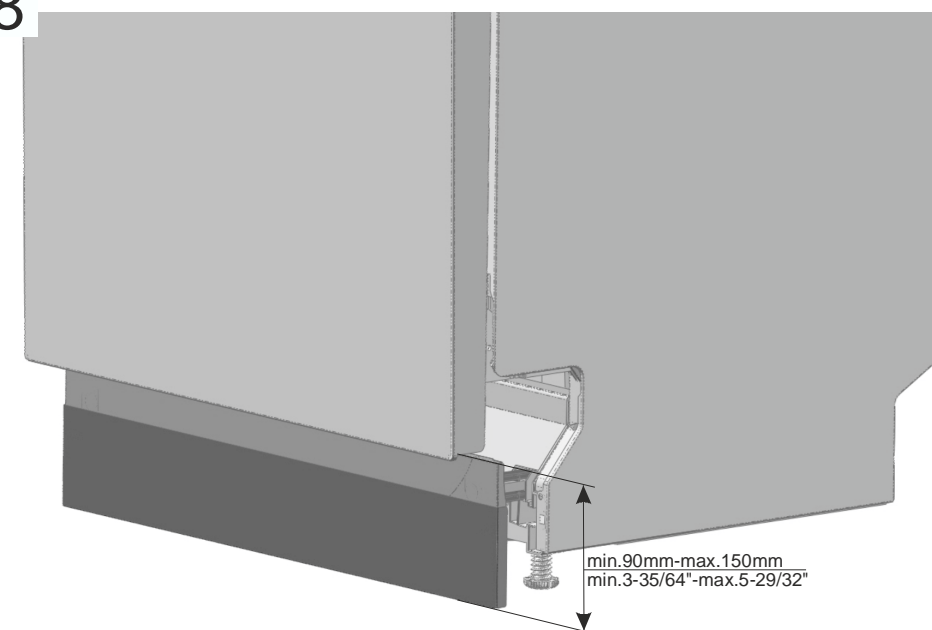
6



7



8



min.90mm-max.150mm
 min.3-35/64"-max.5-29/32"