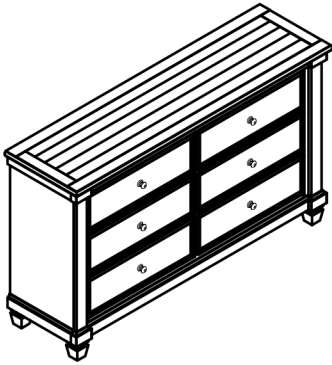


ASSEMBLY INSTRUCTION

Thank you for purchasing this product. Please take time to read and follow the instructions below. Check that you have all parts and hardware before assembly. Parts apparently missing are often found in the packing materials. If you do not have all the parts listed, have your dealer contact us and they will be sent to you immediately.



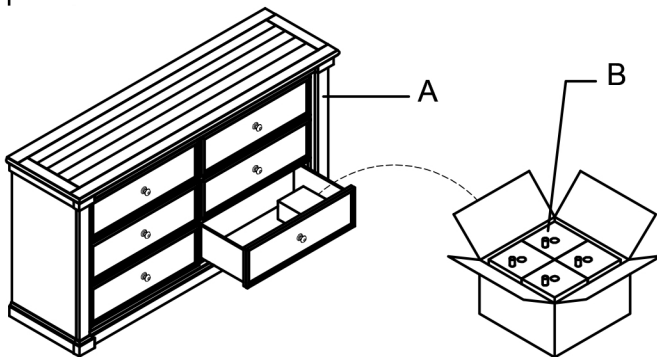
It is recommended to install protective pads under all legs and support to avoid damage or scratches when placing furniture on a wood floor or other hard surface, and to limit indentation and prevent discoloration if placing on carpet.

Hardware may loosen over time. Periodically check to make sure all connections are tight. Re-tighten if necessary.

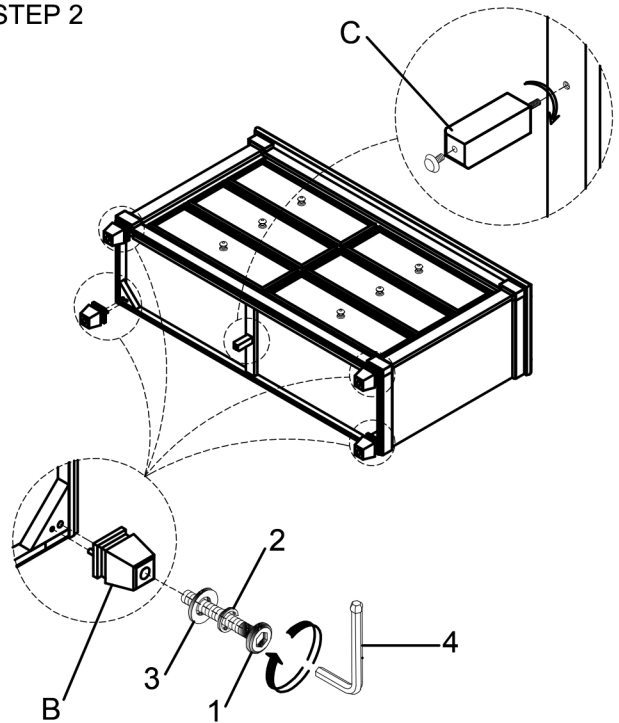
PARTS LIST			
No	Sketch	Description	Quantity
A		Dresser	1PC
B		Bun foot	4PCS
C		Support Leg	1PC

HARDWARE LIST				
No	Description	Size	Sketch	Quantity
1	Bolt	Ø5/16" x 70mm		4PCS
2	Lockwasher	Ø5/16"		4PCS
3	Flat Washer	Ø5/16" x Ø19mm		4PCS
4	Allen Key	75*45*4mm		1PC
5	Tipping Restraint			1PC

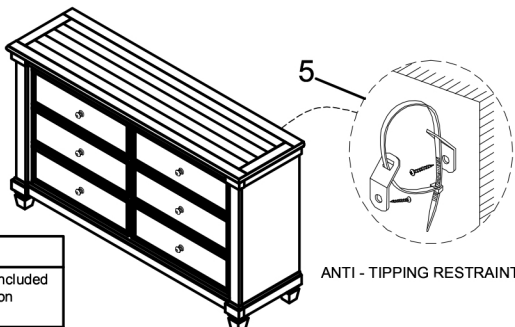
STEP 1



STEP 2



STEP 3



NOTE / REMARQUE

Tipping Restraint hardware kit is included with this product. Refer to Installation instruction in the hardware pack.

ANTI - TIPPING RESTRAINT

Do not tighten bolts until completely assembled

ASSEMBLY COMPLETE