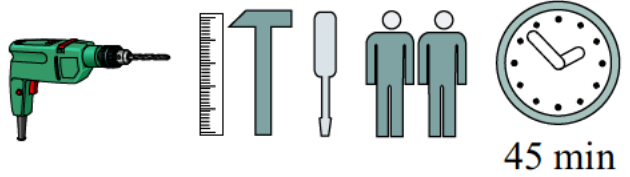


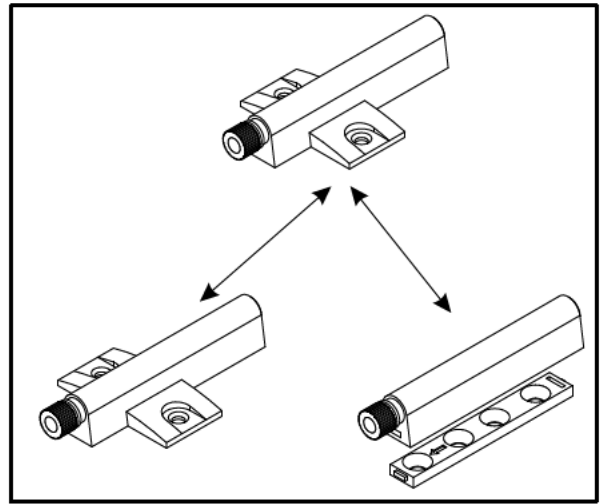
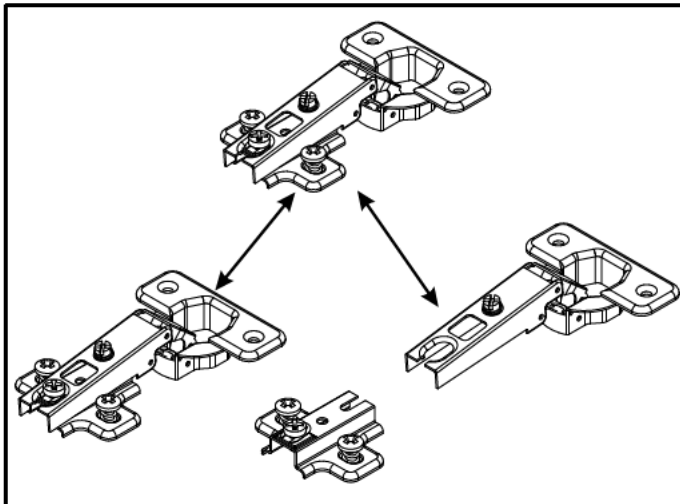
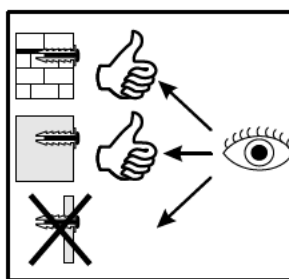
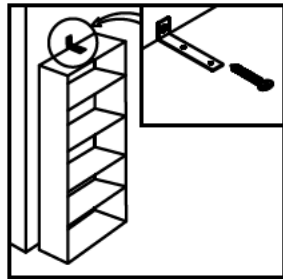
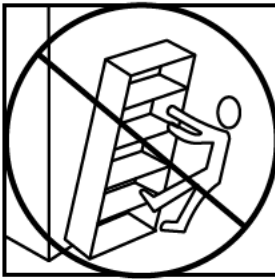
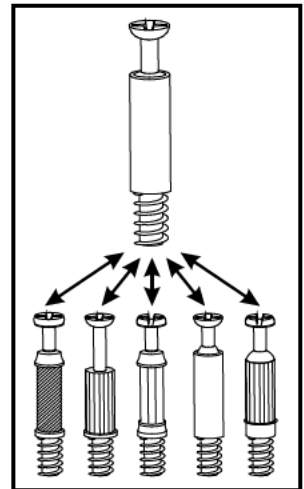
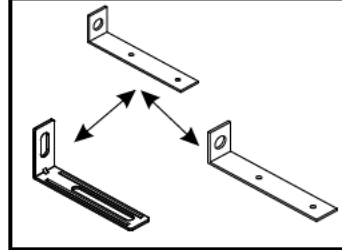
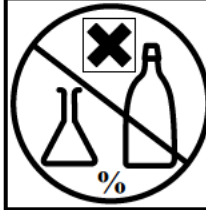
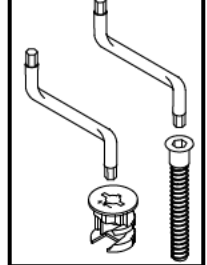
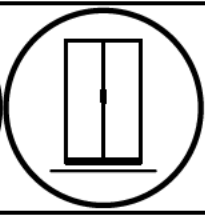
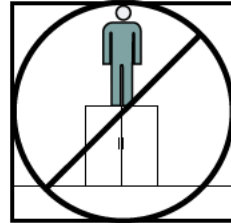
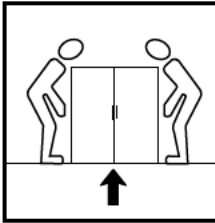
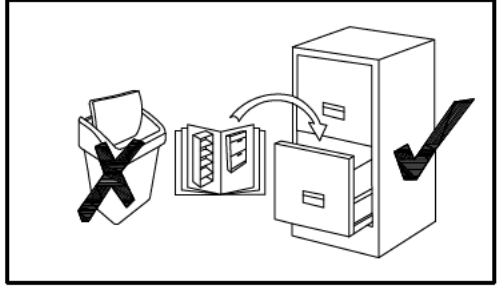
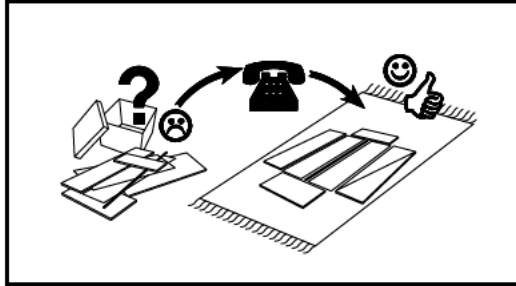
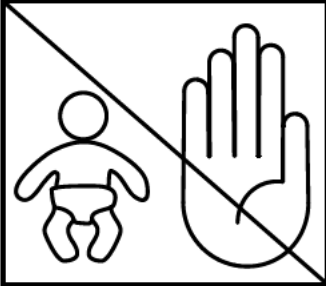
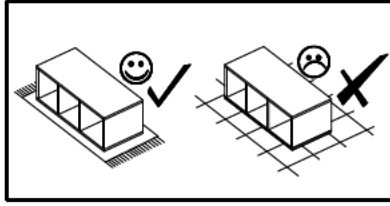
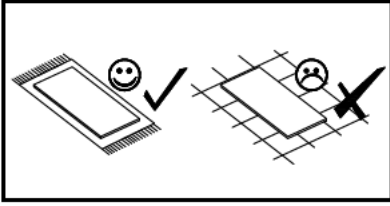
x3

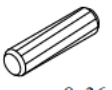
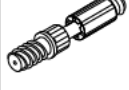



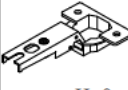



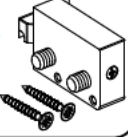
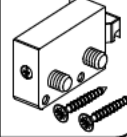




→ 802
 ↑ 302
 ↗ 396

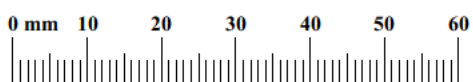
NO	Dim.			Col.-No	Qty
1	802	380	16	2/3	3
2	802	380	16	2/3	3
3	270	380	16	2/3	3
4	270	380	16	2/3	3
5	798	298	16	1/3	3
6	780	282	3	1/3	3





45 min

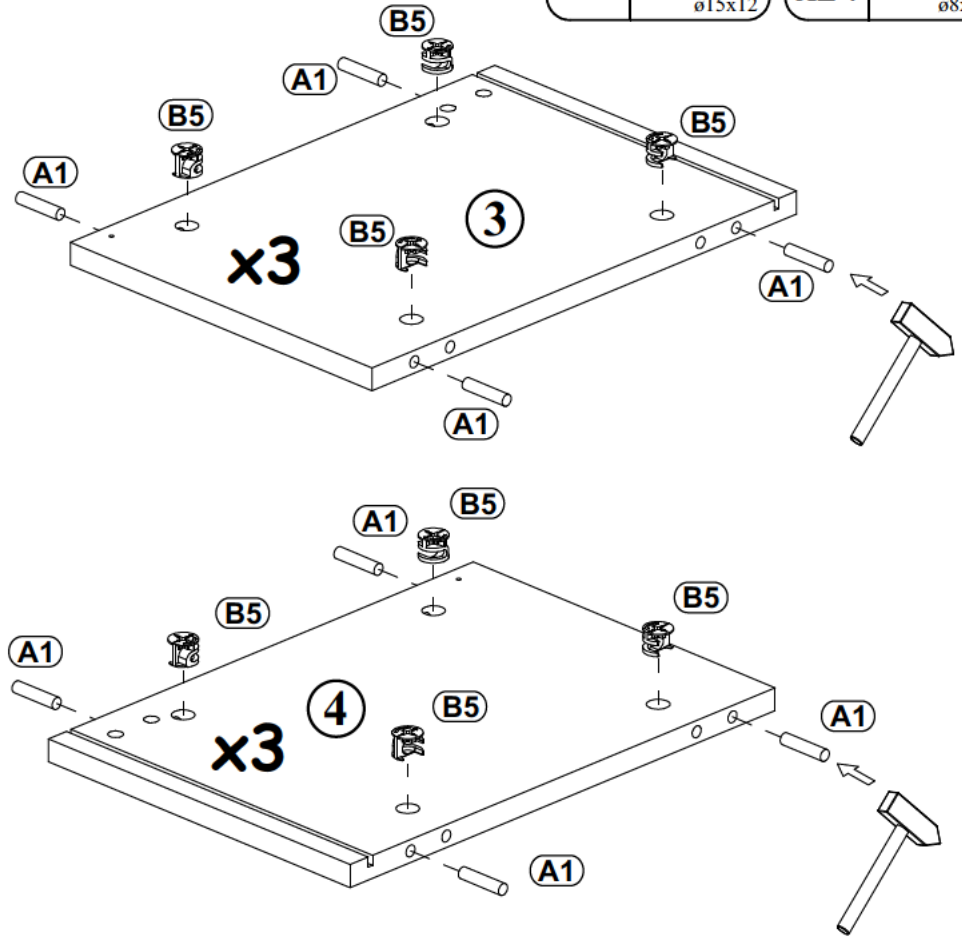
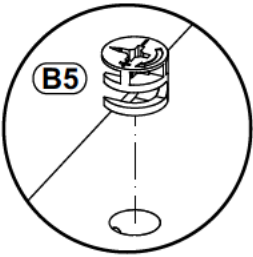
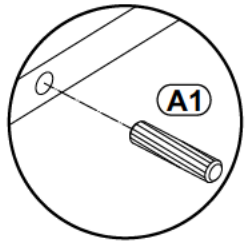


A1 x24  ø8x36	B4 x24 	B5 x24  ø15x12	G5 x24 	E2 x6  H 0	E21 x6  Ø35 H 0
T1 x3 	BO1 x3 	S1 x30 	ZXL x3 	ZXP x3 	D10 x18  USØ3,5x13
G2 x1 	KR2 x6  Ø8	UP13 x8  UPØ3x16			

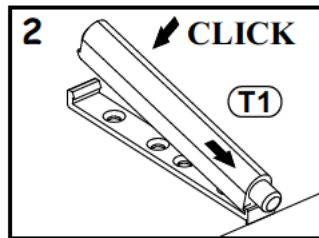
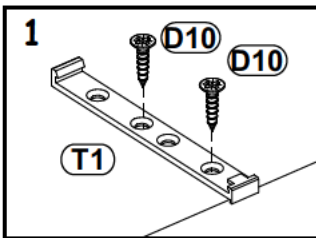


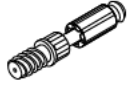
1


B5		A1	
x24	ø15x12	x24	ø8x36




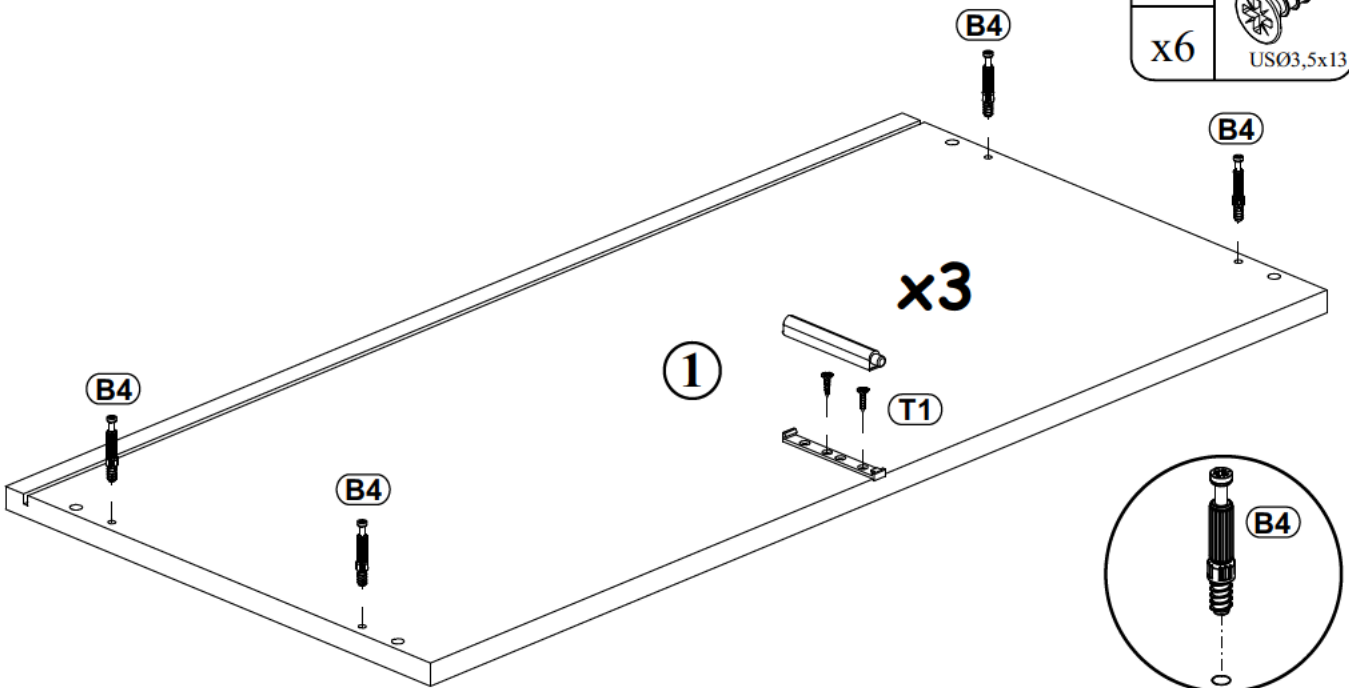
2



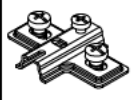
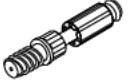
B4	
x12	

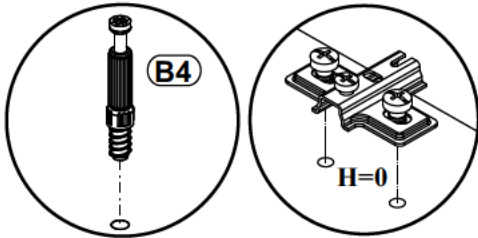
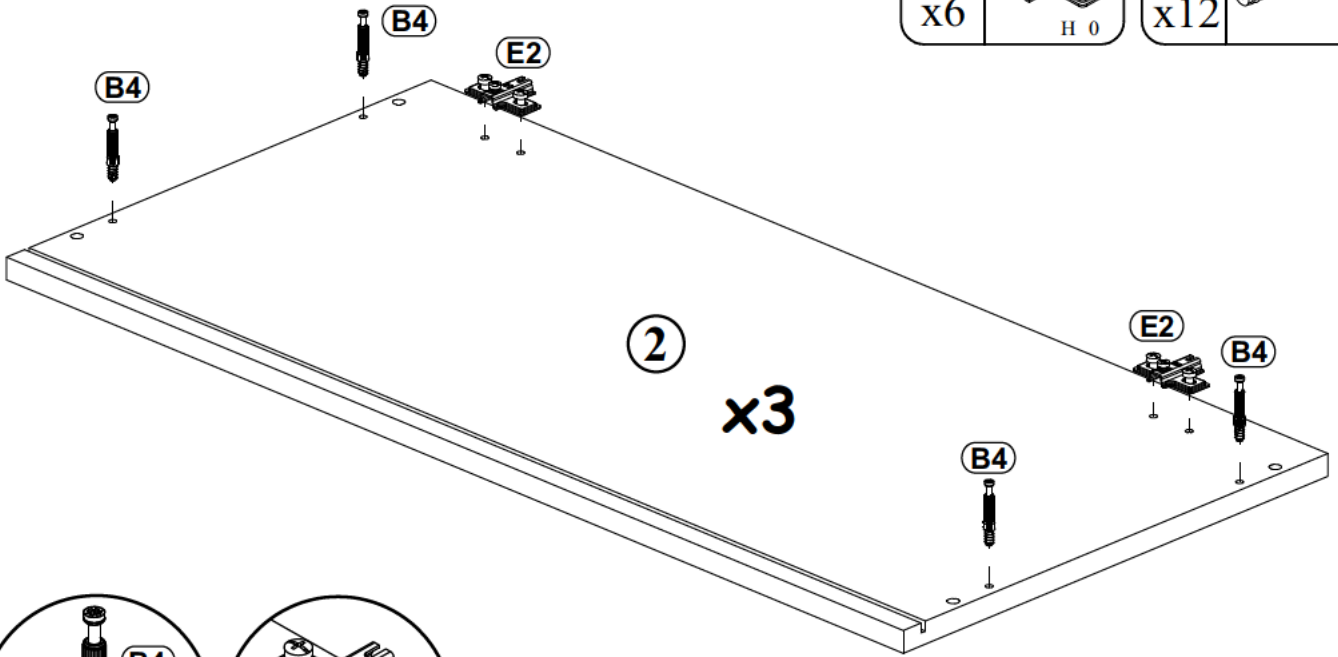
T1	
x3	

D10	
x6	US03,5x13

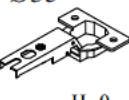



3

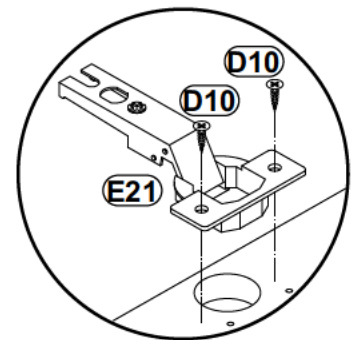
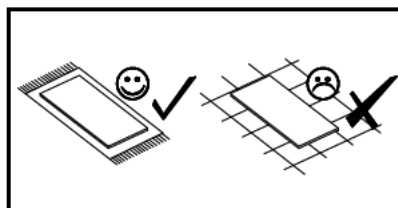
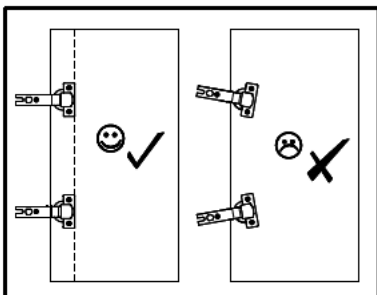
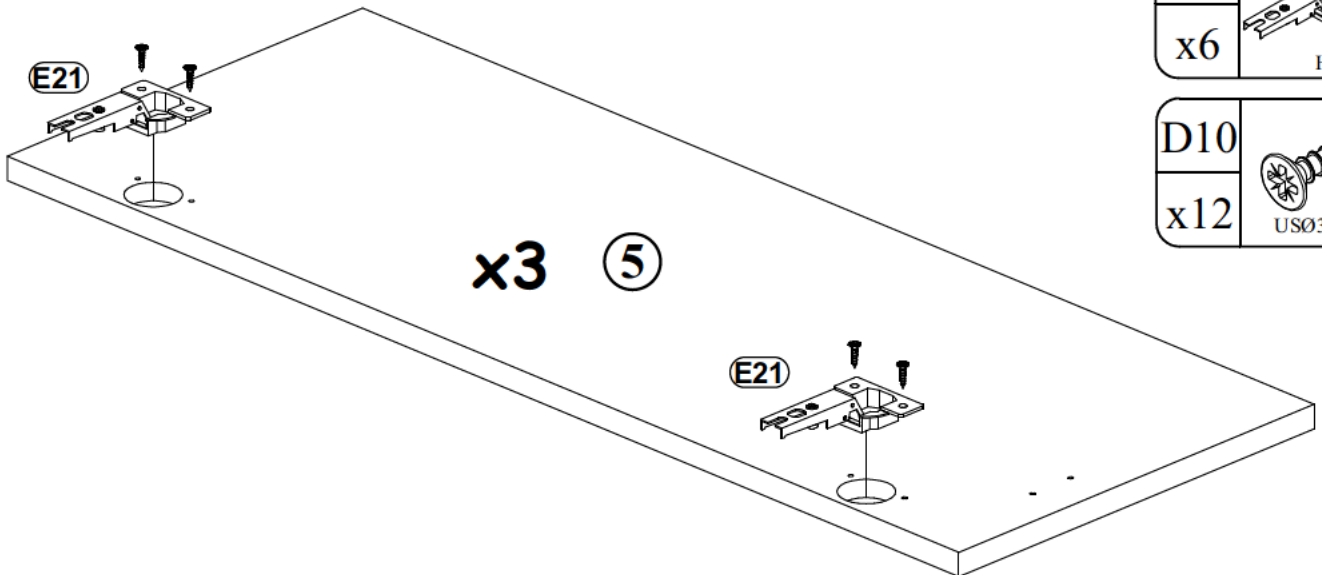
E2		B4	
x6	H 0	x12	



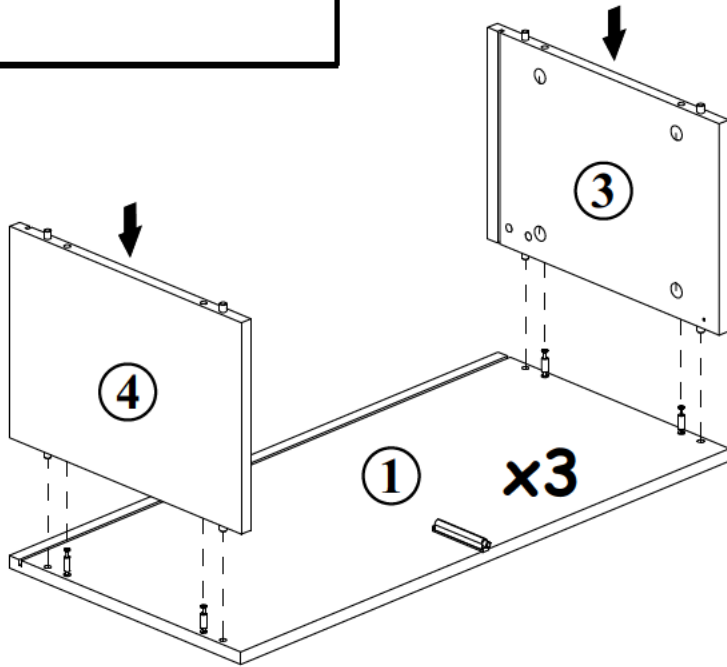
4


E21		Ø35	
x6	H 0		

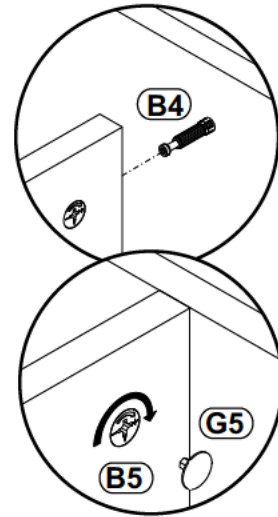
D10			
x12	USØ3,5x13		



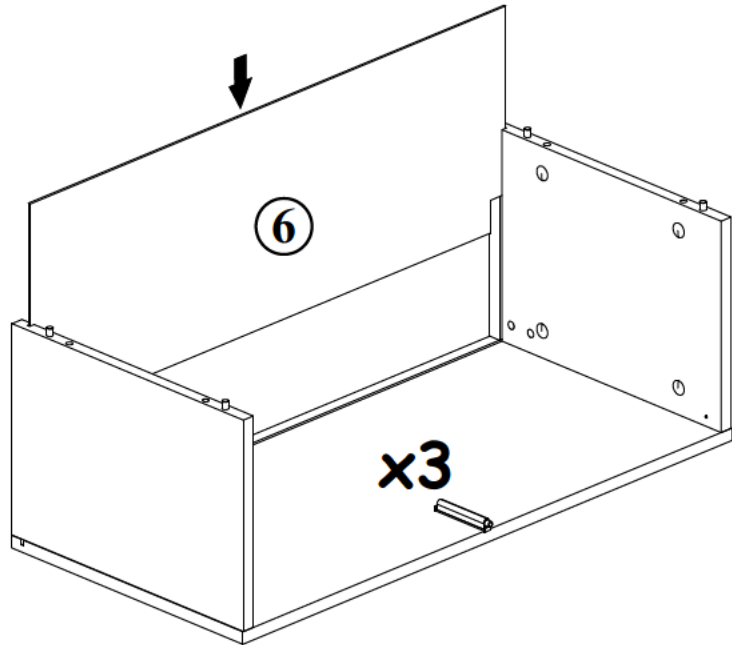
5



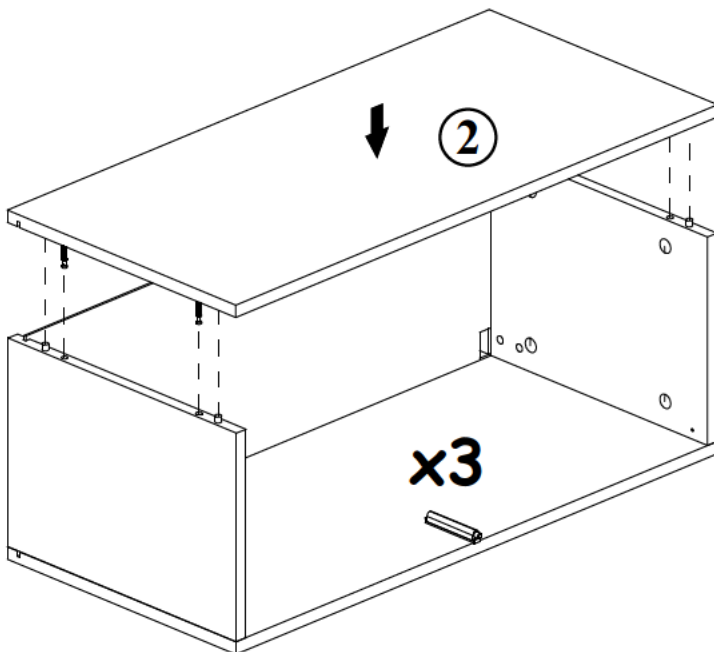
G5	
x12	




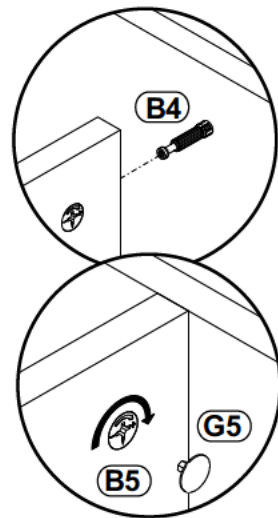
6



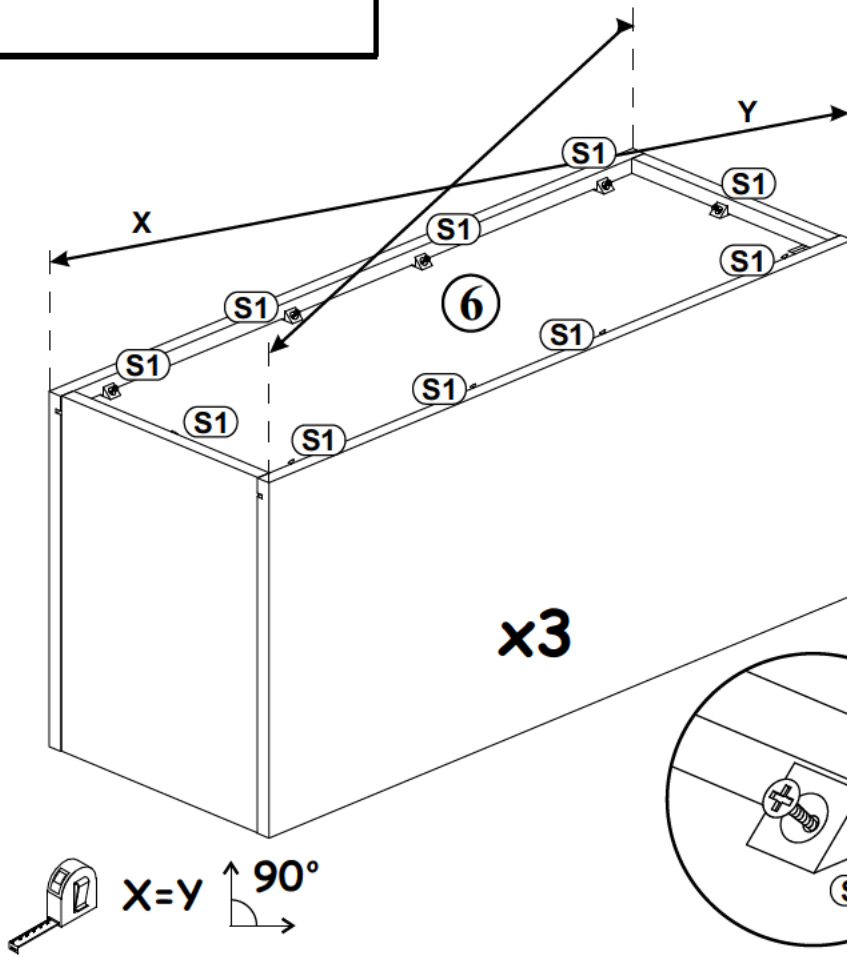
7



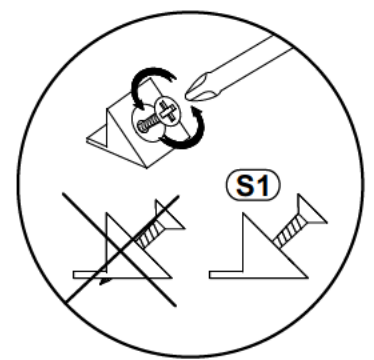
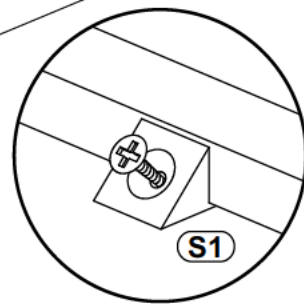
G5	
x12	



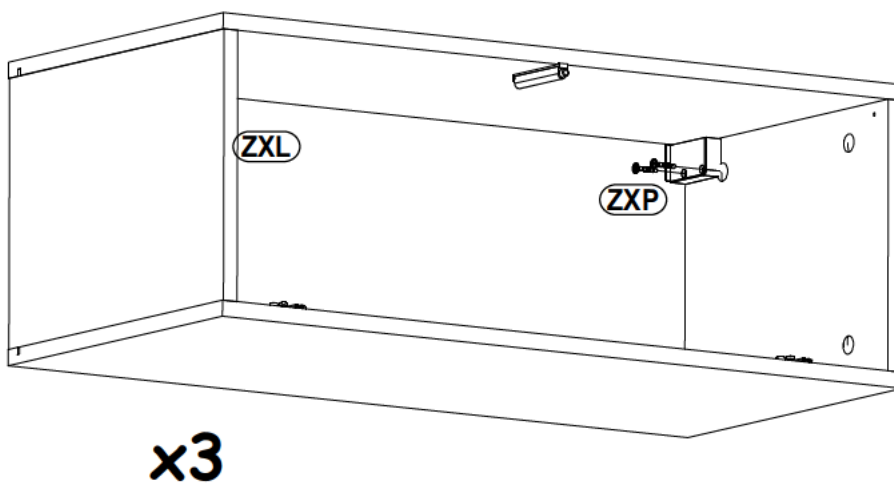
8



S1	
x30	

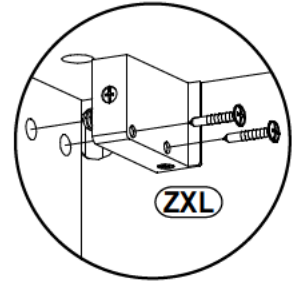
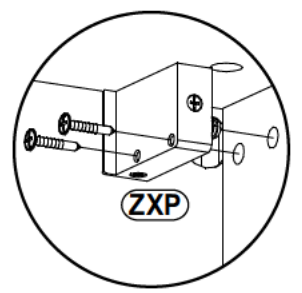


9



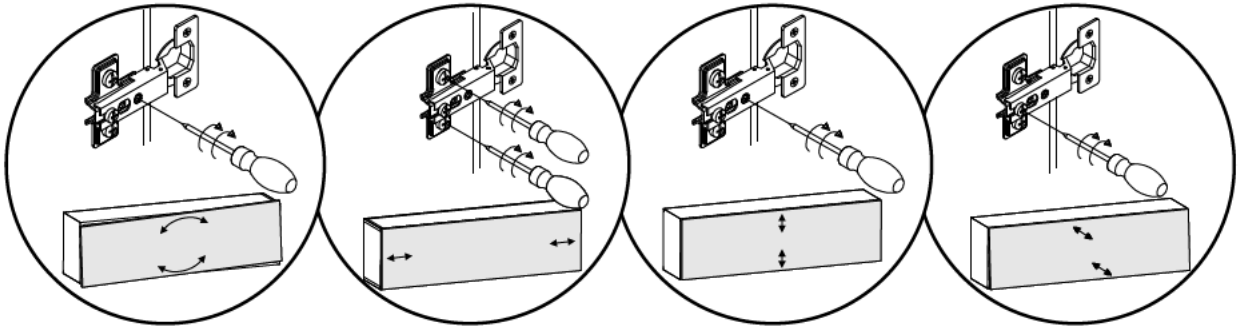
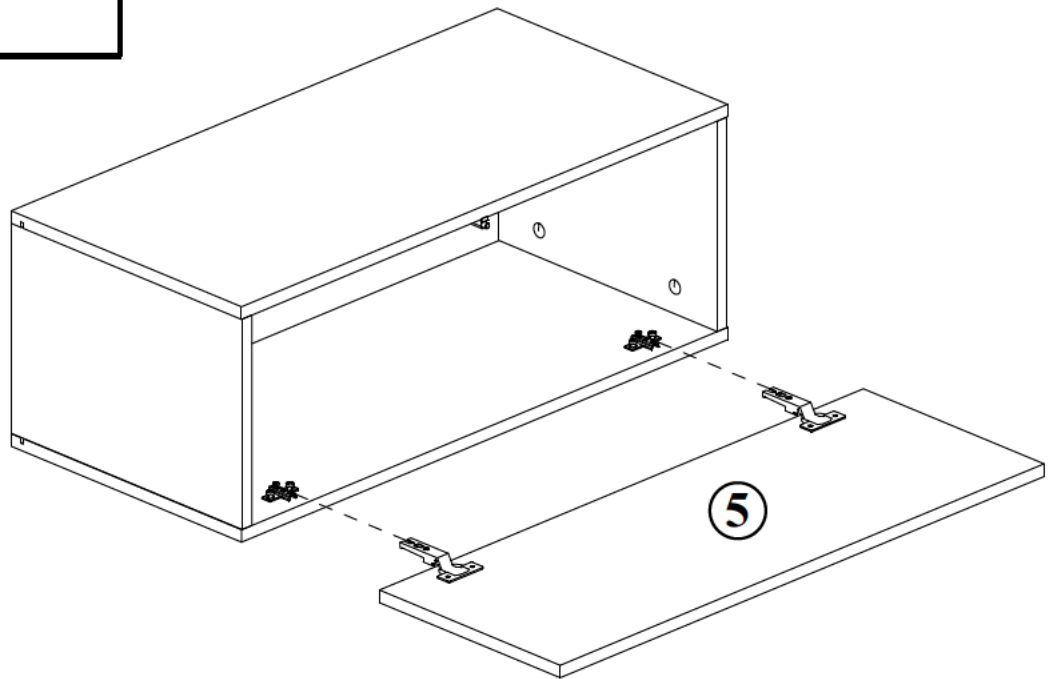
ZXL	
x3	

ZXP	
x3	



10

x3



11

x3

