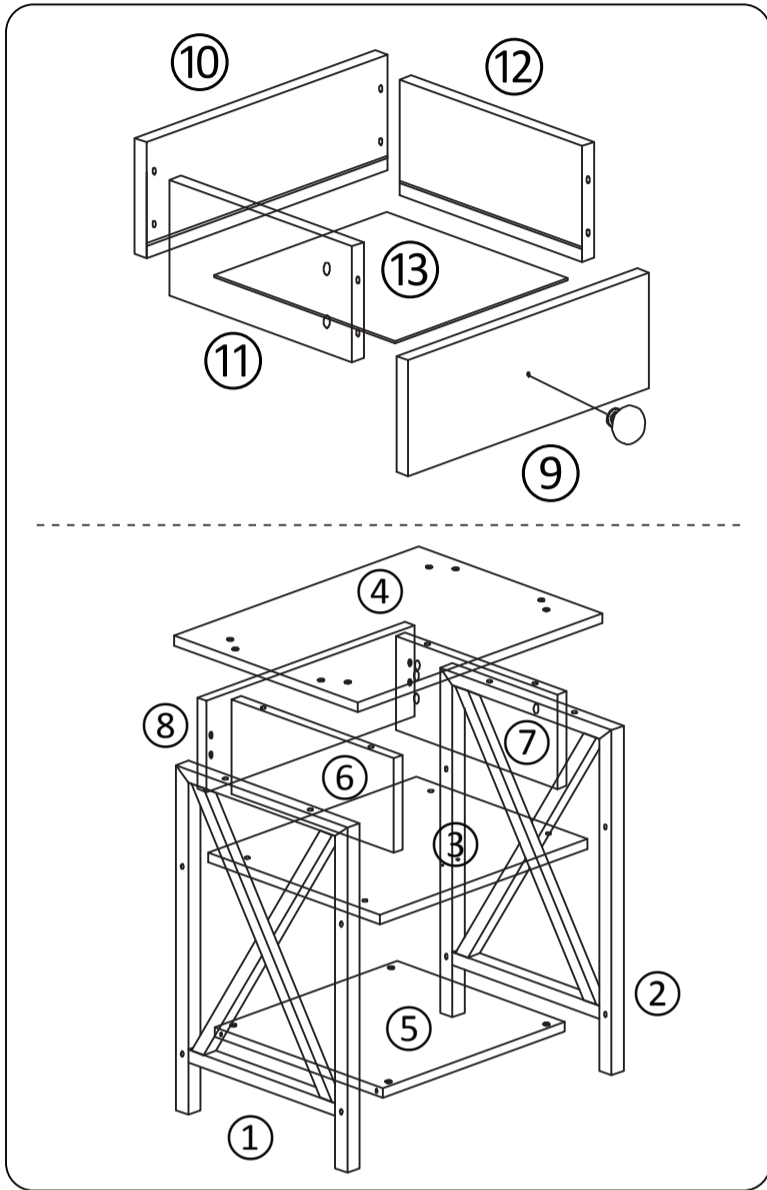


# Assembly Instructions

## Tips!

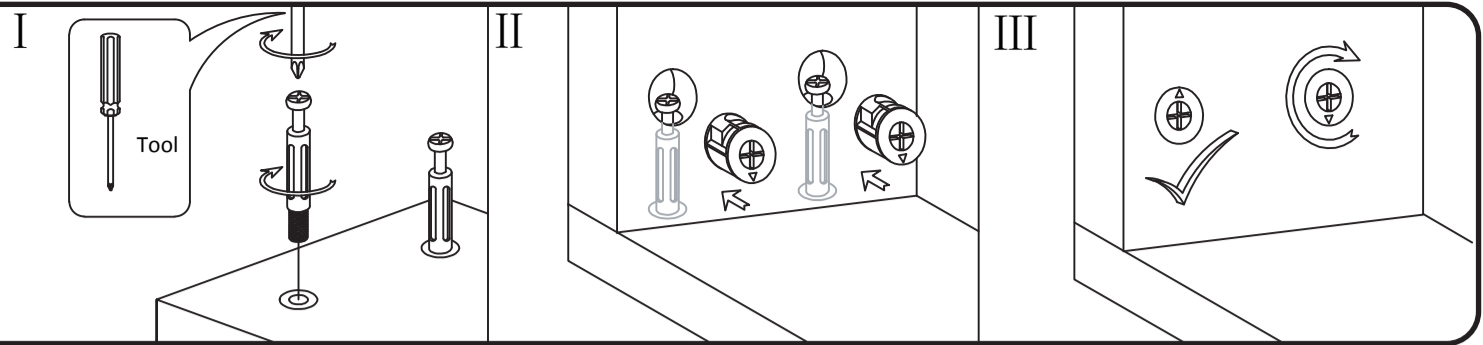
Check all the components & screws before assembly. Do not install in case part is missing, contact us to get.



1		1	2		1
3		1	4		1
5		1	6		1
7		1	8		1
9		1	10		1
11		1	12		1
13		1			

A		12	B		8	C		8	D		4	E		2
F		1	G		4	H		1	I		1	J		1

# "A" Hardware installation example



## StepA:Drawer Assembly

<p><b>1</b></p> <p>Cx4</p>	<p><b>2</b></p>	<p><b>3</b></p> <p>Ax4</p>	<p><b>4</b></p> <p>Ix1</p> <p>Fx1</p>
----------------------------	-----------------	----------------------------	---------------------------------------

## StepB:Drawer Outer Frame Assembly ( 5 6 7 )

## StepC:Assemble Drawer Embed in Drawer Outer Frame( 8 )

<p><b>5</b></p> <p>Ax4</p>	<p><b>6</b></p> <p>Ex2</p> <p>Hx1</p> <p>Tips: When install H, please notice the direction of a and b</p>	<p><b>7</b></p> <p>Ax4</p>	<p><b>8</b></p> <p>Reverse</p>
----------------------------	---	----------------------------	--------------------------------

## StepD:Main frame assembly

<p><b>9</b></p> <p>Cx4</p>	<p><b>10</b></p> <p>Bx4</p> <p>Gx4</p>	<p><b>11</b></p> <p>Dx4</p> <p>Bx4</p>	<p><b>12</b></p>
----------------------------	--	--	------------------

## StepE:Check and tighten all screws

**13**