



## Ceiling Fan Installation Manual



93102778\_E

**P250018**

# Limited Lifetime Warranty

Progress Lighting fan motors are warranted to the original purchaser to be free of electrical and/or mechanical defects for so long as the original purchaser owns the fan. Pull chain switches, reverse switches, capacitors and metal finishes are warranted to be free from defects in materials or workmanship for a period of 1 year from the date of purchase. Warping of wooden or plastic blades is not covered by this warranty nor is corrosion and/or deterioration of any finishes for fans installed within ten miles of any sea coast. Extended warranties for ENERGY STAR® qualified products may apply.

Progress Lighting ceiling fans with built-in LED light sources, when properly installed and under normal conditions of use, are warranted to be free from defects in material and workmanship which cause the light sources to fail to operate in accordance with the specifications for (i) five (5) years from the date of purchase on the LED Light modules and electrical components for fans used in single family residences, and (ii) three (3) years from the date of purchase on the LED Light modules and electrical components for fans used in multi-family or commercial applications. LED bulbs supplied by Progress Lighting carry no warranty other than manufacturer's warranty. Non-LED bulbs carry no warranty.

With proof of purchase, the original purchaser may return the defective fan to the place of purchase during the first 30 days for replacement. After 30 days, the original purchaser MUST contact Progress Lighting at (864) 678-1000 for repair or replacement which shall be determined in Progress Lighting's sole discretion and shall be purchaser's sole and exclusive remedy.

Labor and Shipping Excluded. This warranty does not cover any costs or fees associated with the labor (including, but not limited to, electrician's fees) required to install, remove, or replace a fan or any fan parts.

This warranty shall not apply to any loss or damage resulting from (i) normal wear and tear or alteration, misuse, abuse or neglect, or (ii) improper installation, operation, repair or maintenance by original purchaser or a third party, including without limitation improper voltage supply or power surge, use of improper parts or accessories, unauthorized repair (made or attempted) or failure to provide maintenance to the fan.

THE FOREGOING WARRANTIES STATE PROGRESS LIGHTING'S ENTIRE WARRANTY OBLIGATION AND ORIGINAL PURCHASER'S SOLE AND EXCLUSIVE REMEDY RELATED TO SUCH PRODUCTS. PROGRESS LIGHTING IS NOT RESPONSIBLE FOR DAMAGES (INCLUDING INDIRECT, SPECIAL, INCIDENTAL OR CONSEQUENTIAL), DUE TO PRODUCT FAILURE, WHETHER ARISING OUT OF BREACH OF WARRANTY, BREACH OF CONTRACT, OR OTHERWISE. THIS WARRANTY IS GIVEN IN LIEU OF ALL OTHER WARRANTIES, WHETHER EXPRESSED OR IMPLIED, INCLUDING THOSE OF MERCHANTABILITY, FITNESS FOR A PARTICULAR PURPOSE OR NONINFRINGEMENT.

Some states do not allow limitations on how long an implied warranty lasts or the exclusion or limitations of incidental or consequential damages, so the above limitations and exclusions may not apply to you. This warranty gives you specific rights and you may have other rights which vary from state to state.

Date Purchased \_\_\_\_\_

Store Purchased \_\_\_\_\_

Model No. \_\_\_\_\_

Serial No. \_\_\_\_\_

Vendor No. \_\_\_\_\_ 109226

UPC \_\_\_\_\_ 785247231478



Safety Rules.....	1.
Unpacking Your Fan .....	2.
Installing Your Fan .....	3.
Installing the Metal Light Cover.....	9.
Operating Your Transmitter .....	11.
Care of Your Fan .....	14.
Troubleshooting .....	15.
Specifications .....	16.

## *Table of Contents*

1. To reduce the risk of electric shock, insure electricity has been turned off at the circuit breaker or fuse box before beginning.
2. All wiring must be in accordance with the National Electrical Code and local electrical codes. Electrical installation should be performed by a qualified licensed electrician.
3. **WARNING:** To reduce the risk of electrical shock and fire, do not use this fan with any solid-state fan speed control device.
4. **WARNING:** To reduce the risk of fire, electric shock, or personal injury, mount to outlet box marked "Acceptable for Fan Support of 15.9 kg (35 lbs.) Or Less" and use mounting screws provided with the outlet box. Most outlet boxes commonly used for the support of light fixtures are not acceptable for fan support and may need to be replaced. Due to the complexity of the installation of this fan, a qualified licensed electrician is strongly recommended.
9. To avoid personal injury or damage to the fan and other items, be cautious when working around or cleaning the fan.
10. Do not use water or detergents when cleaning the fan or fan blades. A dry dust cloth or lightly dampened cloth will be suitable for most cleaning.
11. After making electrical connections, spliced conductors should be turned upward and pushed carefully up into the outlet box. The wires should be spread apart with the grounded conductor and the equipment-grounding conductor on one side of the outlet box.
12. Electrical diagrams are for reference only. Light kits that are not packed with the fan must be UL Listed and marked suitable for use with the model fan you are installing. Switches must be UL General Use Switches. Refer to the Instructions packaged with the light kits

**WARNING**

TO REDUCE THE RISK OF FIRE, ELECTRIC SHOCK OR PERSONAL INJURY, MOUNT FAN TO OUTLET BOX MARKED ACCEPTABLE FOR FAN SUPPORT.

**WARNING**

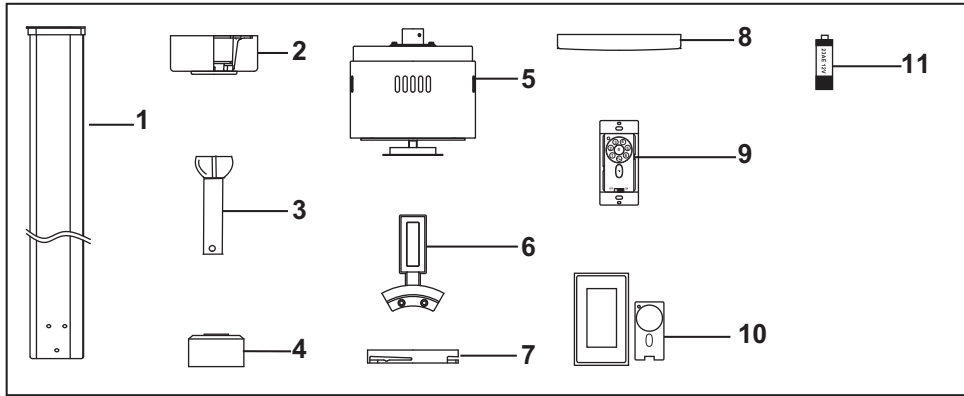
TO REDUCE THE RISK OF PERSONAL INJURY, DO NOT BEND THE BLADE ARMS (ALSO REFERRED TO AS BRACKETS) DURING ASSEMBLY OR AFTER INSTALLATION. DO NOT INSERT OBJECTS IN THE PATH OF THE BLADES.

5. The outlet box and support structure must be securely mounted and capable of reliably supporting a minimum of 35 lbs (15.9 kg) or less. Use only UL-listed outlet boxes marked **FOR FAN SUPPORT**.
6. The fan must be mounted with a minimum of 10 ft (3.05m) clearance from the trailing edge of the blades to the floor.
7. To operate the reverse function on this fan, press the reversing button while the fan is running.
8. Avoid placing objects in the path of the blades.

**NOTE**

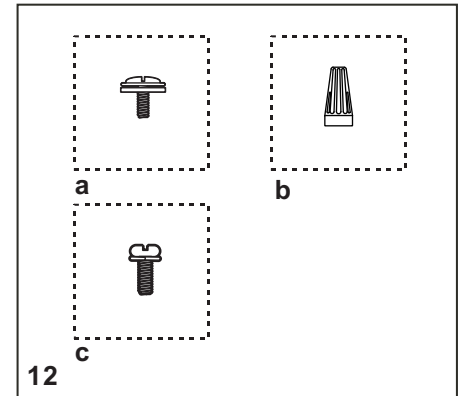
READ AND SAVE ALL INSTRUCTIONS!

# 1. Safety Rules



Unpack your fan and check the contents. You should have the following items:

- |                           |  |
|---------------------------|--|
| 1. Fan blades (6)         | 8. Metal light cover   |
| 2. Canopy assembly        | 9. Wall transmitter incl. 2 mounting screws and 3 wire nuts                  |
| 3. Ball/downrod assembly  | 10. Wall plates, 1 face plate, 2 sets of mounting screws, and machine screws |
| 4. Coupling cover         | 11. 12V MN21/A23 battery   |
| 5. Fan motor assembly     |  |
| 6. Set of blades arms (6) |  |
| 7. Mounting plate         |  |



12. Loose parts bag containing:
- a. Blade attachment hardware**  
(19 screws, 19 fiber washers)
  - b. Mounting hardware**  
Wire nuts (3)
  - c. Blade arm attachment hardware**  
(1 screw with lock washer extra)

## *Unpacking Your Fan 2.*

## Tools Required

Phillips screw driver, straight slot screw driver, adjustable wrench, step ladder, and wire cutters.

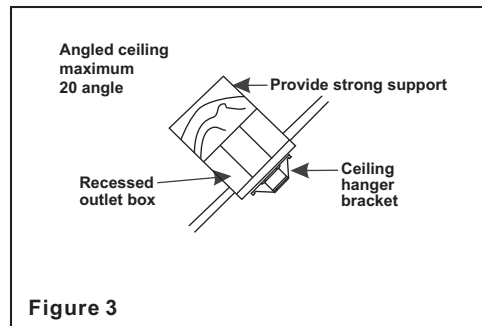
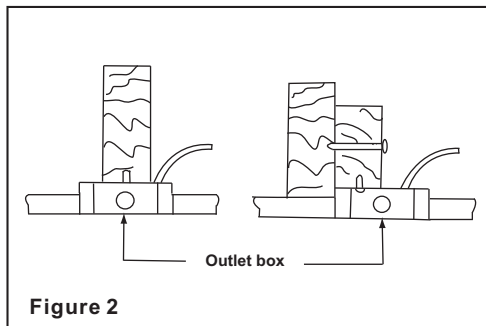
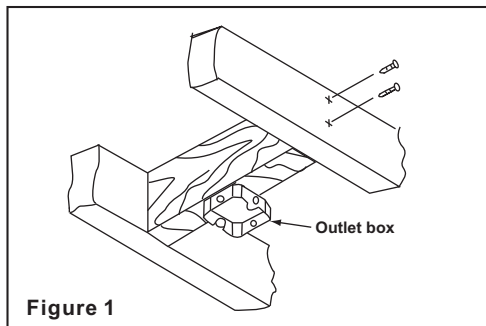
## Mounting Options

If there isn't an existing UL listed mounting box, then read the following instructions. Disconnect the power by removing fuses or turning off circuit breakers.

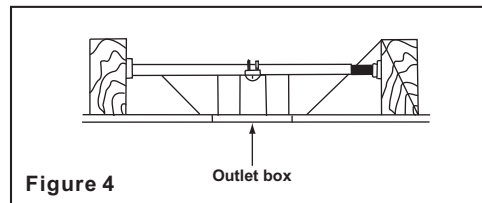
Secure the outlet box directly to the building structure. Use appropriate fasteners and building materials. The outlet box and its support must be able to fully support the moving weight of the fan (at least 35 lbs). Do not use plastic outlet boxes.

### WARNING

TO REDUCE THE RISK OF FIRE, ELECTRIC SHOCK, OR OTHER PERSONAL INJURY, MOUNT FAN ONLY TO AN OUTLET BOX MARKED ACCEPTABLE FOR FAN SUPPORT AND USE THE MOUNTING SCREWS PROVIDED WITH THE OUTLET BOX. OUTLET BOXES COMMONLY USED FOR THE SUPPORT OF LIGHTING FIXTURES MAY NOT BE ACCEPTABLE FOR FAN SUPPORT AND MAY NEED TO BE REPLACED. CONSULT A QUALIFIED ELECTRICIAN IF IN DOUBT.



**Note:** You may need a longer downrod to maintain proper blade clearance when installing on a steep, sloped ceiling.



To hang your fan where there is an existing fixture but no ceiling joist, you may need an installation hanger bar as shown in Figure 4 (available at your Progress Lighting Retailer).

# 3. Installing Your Fan

## Hanging the Fan

**REMEMBER** to turn off the power. Follow the steps below to hang your fan properly:

**Step 1.** Remove the decorative canopy bottom cover from the canopy by turning the cover counter clockwise.(Fig. 5)

**Step 2.** Remove the mounting bracket from the canopy by removing 1 of 2 screws from the bottom of the mounting bracket and loosening the other one a half turn from the screw head. Next, turn the canopy counter clockwise to remove the mounting bracket from the canopy. (Fig. 5)

**Step 3.** Pass the 120-volt supply wires through the center hole in the ceiling hanger bracket as shown in Fig. 6.

**Step 4.** Secure the hanger bracket to the ceiling outlet box with the screws and washers provided with your outlet box.

**Step 5.** Remove the hanger pin, lock pin and set screws from the top of the motor assembly. (Fig. 7)

**Step 6.** Route the safety cable and wires exiting from the top of the fan motor through the collar cover, canopy cover, canopy and then through the ball / downrod. (Fig. 7)

**Step 7.** Align the holes at the bottom of the downrod with the holes in the collar on top of the motor housing (Fig. 7). Carefully insert

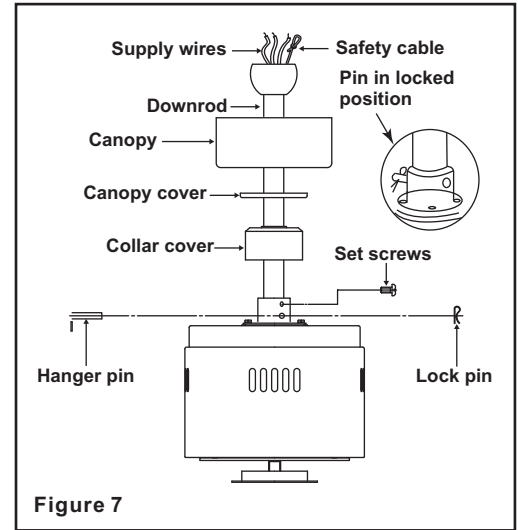
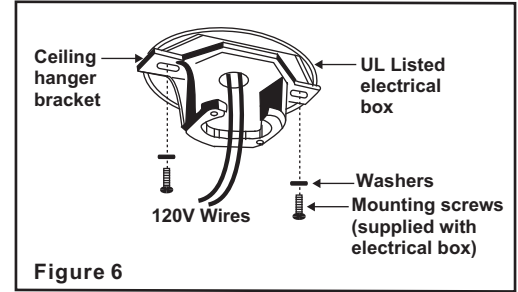
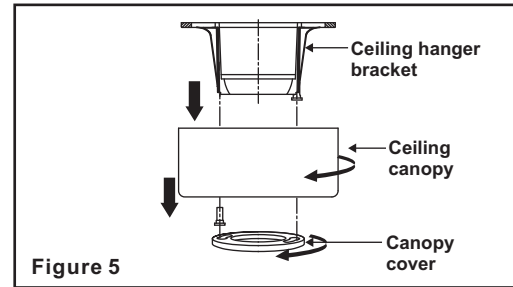
the hanger pin through the holes in the collar and downrod. Be careful not to jam the pin against the wiring inside the downrod. Insert the locking pin through the hole near the end of the hanger pin until it snaps into its locked position, as noted in the circle inset of Fig. 7.

**WARNING**  
FAILURE TO PROPERLY INSTALL  
LOCKING PIN AS NOTED IN STEP 7  
COULD RESULT IN FAN LOOSENING AND  
POSSIBLY FALLING.

**Step 8.** Tighten two set screws on top of the fan motor firmly. (Fig. 7)

**Step 9.** Place the downrod ball into the hanger bracket socket.

**Step 10.** Secure the safety cable to the building structure with a wood screw. (wood screw not supplied)



# Make the Electric Connections

**WARNING:** To avoid possible electrical shock, be sure electricity is turned off at the main fuse box before wiring.

**Note:** The control should be within 30 feet from the fan. Installing the switch in a metal switch box could cause interference with the control signal and cause the fan not to respond as desired to the switch commands.

If you feel you do not have enough electrical wiring knowledge or experience, have your fan installed by a licensed electrician.

1. Disconnect the power and remove the existing wall plate and switch from the wall outlet box.
2. Make wire connections as follows, using the wire nuts. (Fig. 8)

**a. Wall control wire connection.** (Fig. 8)

**CONNECT**

(From wall control)

Black wire (TO MOTOR L) -----

Black wire (AC IN L) -----

Yellow/green ground wire -----

**TO**

(From wall outlet box)

White wire

Black wire from wall control's

Outlet box green wire

• If your wall outlet box has a ground wire (green or bare copper), connect the wall control's yellow/green ground wire to it; otherwise connect the wall control's yellow/green ground wire directly to one of the screws from the wall outlet box.

**b. Fan wire connection.** (Fig. 8)

**CONNECT**

(From fan)

Black fan wire -----

White wire -----

Green wire -----

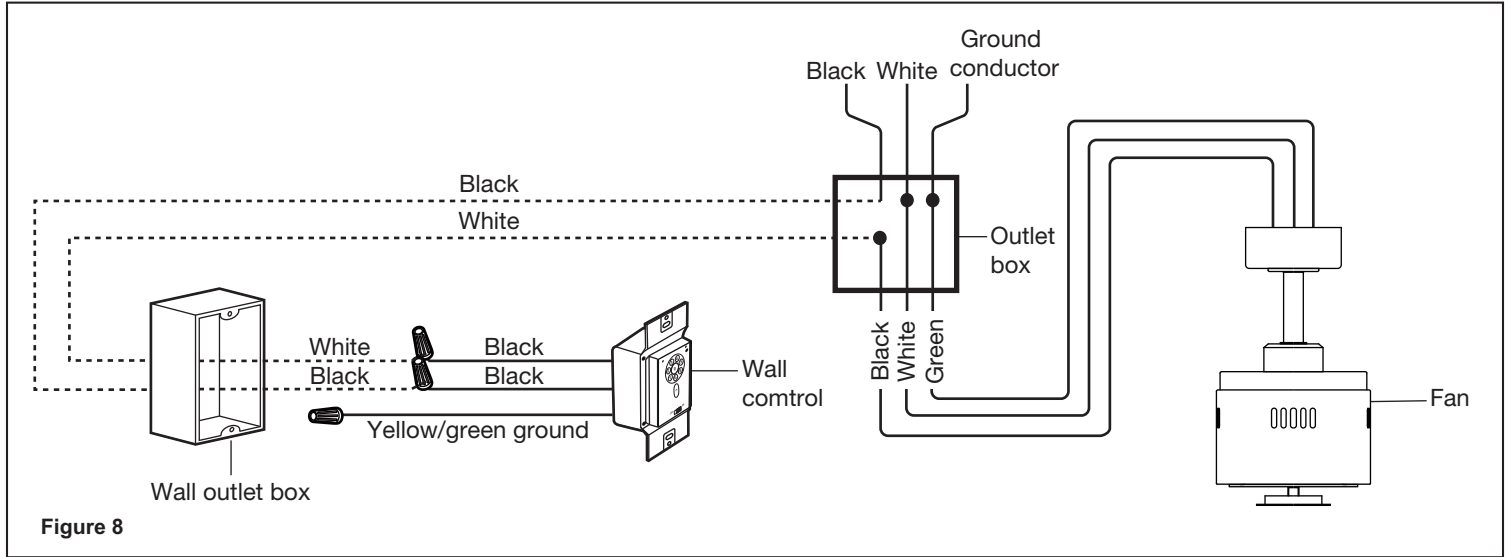
**TO**

(Conductor cable between ceiling and wall outlet box)

White wire

White wire from A/C supply source

Ground conductor of 120V supply, it may be a bare wire or a wire with green colored insulation.

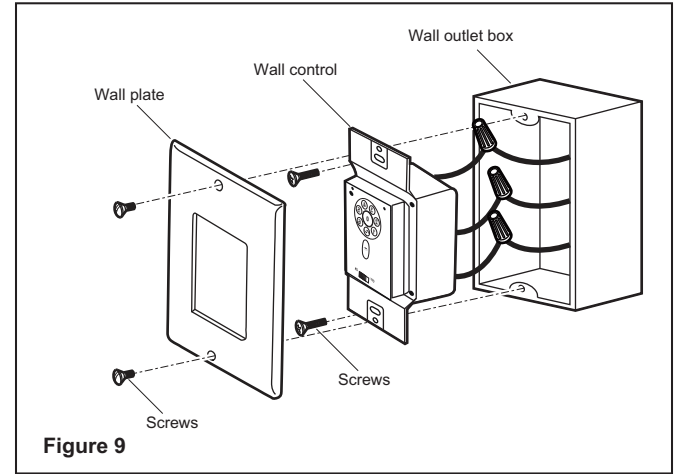


## Installing the wall switch

**WARNING:** Hook up in "series only". Do not connect the hot and neutral wires of the electric circuit to the wall switch - damage to the switch and possible fire could occur.

**WARNING:** Remember to shut the power off at the circuit breaker or fuse box.

1. Carefully tuck the wire connections inside the junction box . Secure the wall switch with the two wall switch screws provided.
2. Attach the wall plate over the wall switch and secure with the two wall plate screws provided.

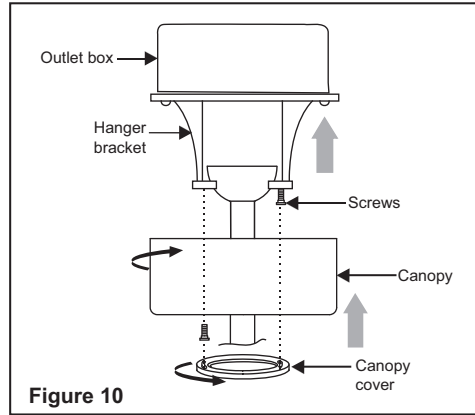


## Finishing the Installation

**Step 1.** Tuck connections neatly into ceiling outlet box.

**Step 2.** Slide the canopy up to mounting bracket and place the key hole on the canopy over the screw on the mounting bracket, turn canopy until it locks in place at the narrow section of the key holes. (Fig. 10)

**Step 3.** Align the circular hole on canopy with the remaining hole on the mounting bracket, secure by tightening the two set screws. Note: Adjust the canopy screws as necessary until the canopy and canopy cover are snug.



**Figure 10**

### **WARNING**

Make sure the notch on the hanging bracket properly sits in the groove in the hanger ball before attaching the canopy to the bracket by turning the housing until it drops into place.

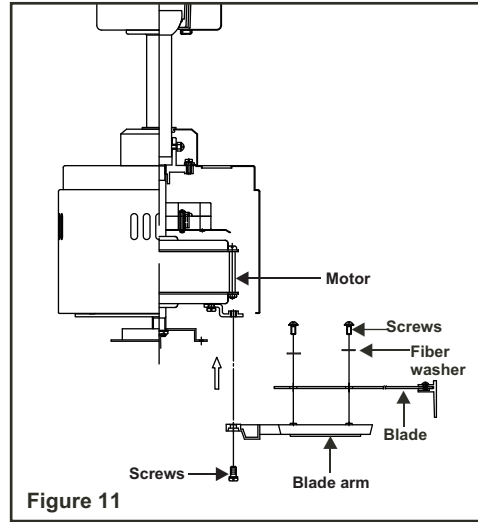
# Attaching the Fan Blades

**CAUTION:** Remove 6 rubber packing mounts and discard before installation.

**Step 1.** Attach the blades to the blade arms using three screws and fiber washers as shown in Figure 11. Start a screw into the arm, do not tighten. Repeat for the 2 remaining screws and washers.

**Step 2.** Tighten each screw securely starting with the center screw. Make sure the blade is straight.

**Step 3.** Fasten the blade assembly to the motor using the motor screws provided. (Fig. 11)



## Blade Balancing

All blades are grouped by weight. Because natural woods varies in density, the fan may wobble even though the blades are weighted equally.

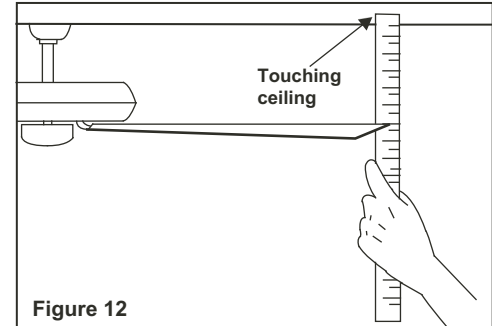
The following procedure should correct most fan wobbling problems. Check after each step.

1. Check that all blade and blade arm screws are secure.

2. Most fan wobbling problems are caused when blade levels are unequal. Check this level by selecting a point on the ceiling above the tip of one of the blades. Measure this distance as shown in Figure 12. Rotate the fan until the next blade is positioned for measurement. Repeat for each blade. The distance deviation should be equal within 1/8".

3. If the blade wobble is still noticeable, interchanging two adjacent (side by side) blades can redistribute the weight and possibly result in smoother operation.

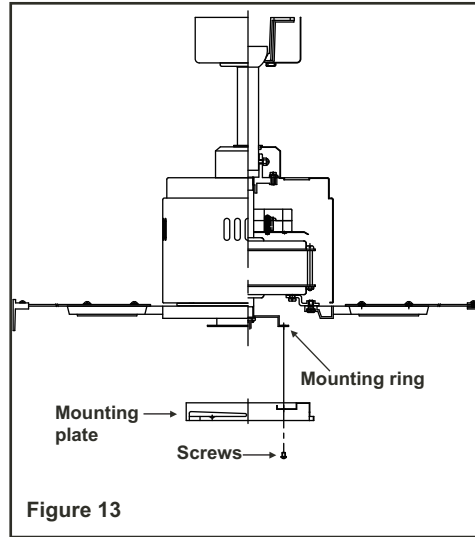
**WARNING**  
TO REDUCE THE RISK OF PERSONAL INJURY, DO NOT BEND THE BLADE HOLDERS WHILE INSTALLING, BALANCING THE BLADES, OR CLEANING THE FAN. DO NOT INSERT FOREIGN OBJECTS BETWEEN ROTATING FAN BLADES.



## Installing the Mounting Plate

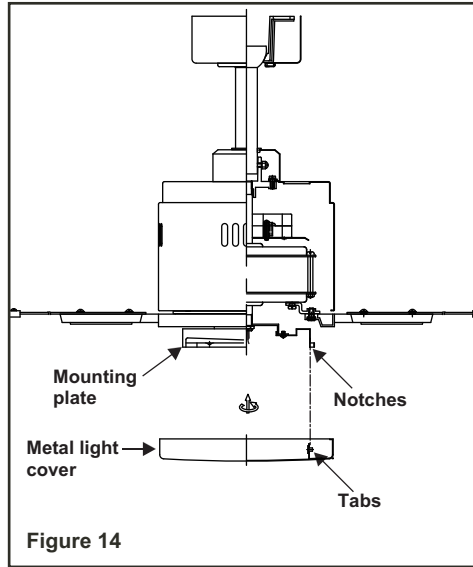
Step 1. Remove 1 of the 3 screws from the mounting ring and loosen the other 2 screws. (Do not remove)

Step 2. Place the key holes on the mounting plate over the 2 screws previously loosened from the mounting ring, turn mounting plate until it locks in place at the narrow section of the key holes. Secure by tightening the 2 screws previously loosened and the one previously removed. (Fig. 13)



**CAUTION:** Before starting installation, disconnect the power by turning off the circuit breaker or removing the fuse at fuse box. Turning power off using the fan switch is not sufficient to prevent electric shock.

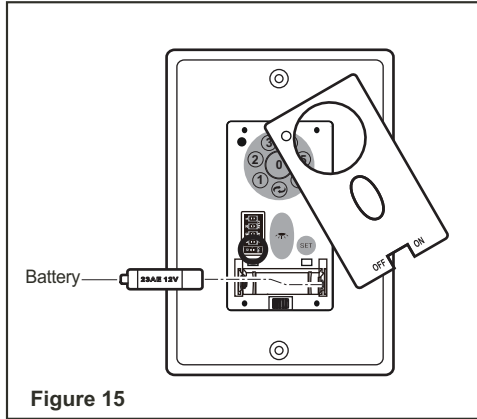
Position the tabs in the inside of the rim on the metal light cover so they line up with the notches on the inside of the rim on the mounting plate. Carefully lift the metal light cover up inside the mounting plate and secure it to the fan by turning the metal light cover clockwise until snug. DO NOT OVERTIGHTEN. (Fig. 14)



## *11. Installing the Metal Light Cover*

## Installing the battery

Install a 12V MN21/A23 battery (included) into the wall control. To prevent damage to the remote control, remove the battery if not used for long periods. (Fig. 15)




Wall Control Button Definitions: (Fig. 16)

These six buttons are used to set the fan speed as follows:

- 1 = minimum speed
- 2 = low speed
- 3 = medium low speed
- 4 = medium speed
- 5 = medium high speed
- 6 = high speed
- 0 = turns the fan off.

 button: Controls fan direction.

 button: Controls light. Switch the “D” and “ON” dip switch on the back of transmitter to decide the light in “ON/OFF” or “Dimmable” condition.

**ON - OFF Slide button:** This button turns the power on and off to the fan and light.

Your DC brushless motor is equipped with an automatically learned type remote control. There are no frequency switches on the receiver; the receiver unit will automatically scan the frequency from the wall control if any changes are made. The frequency settings on the transmitter should be changed **ONLY in case of interference or if a second or more ceiling fans with the same type of control system are installed in the same structure.**

## Setting the Remote Control

Follow the below steps to set the wall control:

The auto learning function will only mandate within 60 seconds when turning the fan’s AC power ON.

a) Select desired frequency from the transmitter. The dip switches can be set to 16 different combinations. (Fig. 17)

b) From the front of the transmitter, with the fan’s power off, restore power to the fan. Press and hold “SET” button for about 5 seconds and release. The signal light on the wall transmitter will come on when the button is pressed. The fan has completed the pairing process with the wall control and is ready for use. (Fig. 17)

**NOTE:** If the self calibration test failed, turn the AC power off; restore power and process the self calibration test again.

**NOTE:** During self calibration test, the remote is non-functional.

**NOTE:** The learning frequency function and self calibration test will continue to retain the last set frequency and calibration set even when the AC power is shut off. If the frequency is changed the self calibration test will occur again.

# *Operating Your Transmitter 12.*

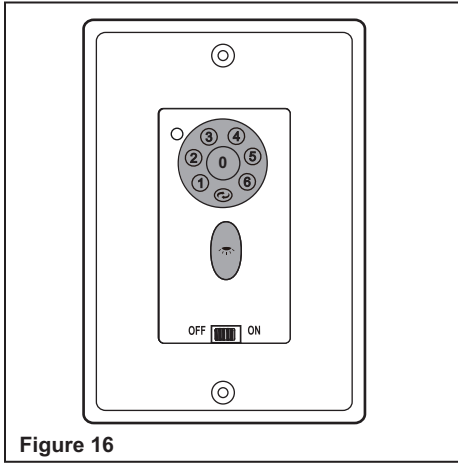


Figure 16

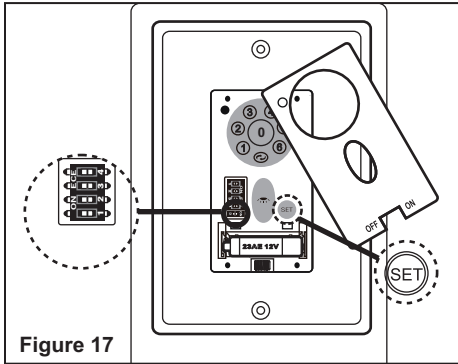


Figure 17

This receiver provides the following protective function:

1. Lock Rotor Position: The DC motor has a built-in safety against a stalled or locked rotor condition (stalled blade rotation). If there is an obstruction or fault with the motor, the current monitoring function will automatically turn power off to the motor after 30 seconds. Remove the obstruction and turn the AC power off. Restore power and re-start fan motor.
2. Over 80W protection: When the receiver detects motor power consumption which is greater than 80W, the receiver power will be stopped and operation will immediately discontinue. Wait for 5 seconds and then turn the receiver power back on.

Speed settings for warm or cool weather depend on factors such as the room size, ceiling height, number of fans and so on.

**NOTE:** To operate the reverse function on this fan, press the reverse button while the fan is running.

Warm weather - (Forward) A downward airflow creates a cooling effect as shown in Fig. 18. This allows you to set your air conditioner on a warmer setting without affecting your comfort.

Cool weather - (Reverse) An upward airflow moves warm air off the ceiling area as shown in Fig.19. This allows you to set your heating unit on a cooler setting without affecting your comfort.

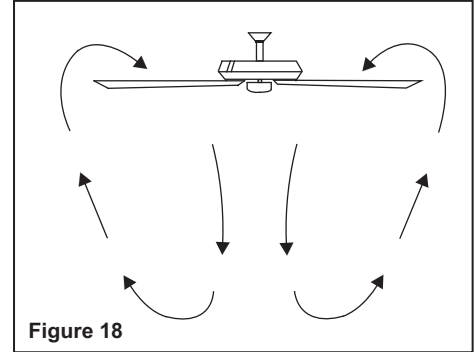


Figure 18

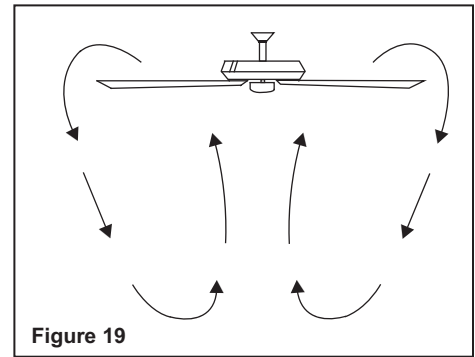


Figure 19

Here are some suggestions to help you maintain your fan

1. Because of the fan's natural movement, some connections may become loose. **Check the support connections, brackets, and blade attachments twice a year.** Make sure they are secure. **(It is not necessary to remove fan from ceiling.)**

2. Clean your fan periodically to help maintain its new appearance over the years. Use only a soft brush or lint-free cloth to avoid scratching the finish. The plating is sealed with a lacquer to minimize discoloration or tarnishing. Do not use water when cleaning. This could damage the motor or possibly cause an electrical shock.

3. **There is no need to oil your fan.** The motor has permanently lubricated bearings.

**IMPORTANT**

MAKE SURE THE POWER IS OFF AT THE ELECTRICAL PANEL BOX BEFORE YOU ATTEMPT ANY REPAIRS. REFER TO THE SECTION "MAKING ELECTRICAL CONNECTIONS"

*Care of Your Fan 14.*

## Problem

## Solution

Fan will not start.

1. Check circuit fuses or breakers.
2. Check line wire connections to the fan and switch wire connections in the switch housing.  
**CAUTION:** Make sure main power is off.
3. Check to make sure the dip switches from the transmitter and receiver are set to the same frequency.
4. Check to make sure the control is within 30 feet from the fan.
5. Check to see if the control is in a metal switch box. A metal switch box could cause interference with the control signal and result in the fan not being able to respond to the desired switch commands.

Fan sounds noisy.

1. Make sure all motor housing screws are snug.
2. Make sure the screws that attach the fan blade bracket to the motor hub is tight.
3. Make sure wire nut connections are not rubbing against each other or the interior wall of the switch housing.  
**CAUTION:** Make sure main power is off.
4. Allow a 24-hour "breaking-in" period. Most noise associated with a new fan disappear during this time.
5. Some fan motors are sensitive to signals from solid-state variable speed controls. If you have installed this type of control, choose and install another type of control.
6. Make sure the upper canopy is a short distance from the ceiling. It should not touch the ceiling.

Remote control  
malfunction

1. Do not connect the fan with wall mounted variable speed control(s).
2. Make sure the dip switches are set correctly.

# *15. Troubleshooting*

Fan Size	Speed	Volts	Amps	Watts	RPM	N.W.	G.W.	C.F.
96"	Low	120	0.072	3.85	34	26.46 lbs	30.53 lbs	4.68'
	High	120	0.47	35.64	69			

These are approximate measures. They do not include Amps and Wattage used by the light kit.

This device complies with part 15 of the FCC Rules. Operation is subject to the following two conditions: (1) This device may not cause harmful interference, and (2) this device must accept any interference received, including interference that may cause undesired operation.

**Warning:** Changes or modifications to this unit not expressly approved by the party responsible for compliance could void the user's authority to operate the equipment.

**NOTE:** This equipment has been tested and found to comply with the limits for a Class B digital device, pursuant to Part 15 of the FCC Rules. These limits are designed to provide reasonable protection against harmful interference in a residential installation. This equipment generates, uses and can radiate radio frequency energy and, if not installed and used in accordance with the instructions, may cause harmful interference to radio communications.

However, there is no guarantee that interference will not occur in a particular installation. If this equipment does cause harmful interference to radio or television reception, which can be determined by turning the equipment off and on, the user is encouraged to try to correct the interference by one or more of the following measures:

- Reorient or relocate the receiving antenna.
- Increase the separation between the equipment and receiver.
- Connect the equipment into an outlet on a circuit different from that to which the receiver is connected.
- Consult the dealer or an experienced radio/TV technician for help.

©2020 Progress Lighting, Inc.  
701 Millennium Blvd.,  
Greenville, SC 29607  
All Rights Reserved

*Specifications 16.*



## Manual de Instalación del Ventilador de Techo



93102778\_E

**P250018**

# Garantía limitada de por vida

Se garantiza al comprador original que los motores de los ventiladores de Progress Lighting no presentan defectos mecánicos o eléctricos por el tiempo durante el cual el comprador original sea dueño del ventilador. Los interruptores de cadena, interruptores de reversa, capacitores y acabados de metal cuentan con garantía libre de defectos de materiales o mano de obra por 1 año a partir de la fecha de compra. La deformación de las aspas de plástico o madera no está cubierta por esta garantía, así como tampoco la corrosión y/o el deterioro de los acabados en el caso de los ventiladores instalados dentro de un radio de 10 millas (16 km) de la costa del mar. Pueden corresponder garantías extendidas para los productos que cumplen con los requisitos de ENERGY STAR®.

Los ventiladores de techo Progress Lighting con fuentes de iluminación LED incorporadas, cuando se los instala debidamente y bajo condiciones de uso normales, están garantizados como libres de defectos de materiales y mano de obra que hacen que las fuentes de iluminación dejen de funcionar de acuerdo con las especificaciones durante (i) cinco (5) años a partir de la fecha de compra para los módulos de luces LED y los componentes eléctricos para los ventiladores utilizados en residencias unifamiliares, y (ii) tres (3) años a partir de la fecha de compra para los módulos de luces LED y los componentes eléctricos para los ventiladores utilizados en aplicaciones comerciales o multifamiliares. Los focos LED suministrados por Progress Lighting no cuentan con garantía más allá de la garantía del fabricante. Los focos que no son LED no cuentan con garantía.

Con comprobante de compra, el comprador original podrá devolver el ventilador defectuoso al lugar de compra, durante los primeros 30 días, para su reemplazo. Pasados los 30 días, el comprador original DEBE contactarse con Progress Lighting al (864) 678-1000 para la reparación o el reemplazo, que se determinará a criterio exclusivo de Progress Lighting y será la compensación única y exclusiva del comprador.

Se excluye la mano de obra y el envío. Esta garantía no cubre los costos o cargos asociados con la mano de obra (incluidos, entre otros, los honorarios del electricista) necesaria para instalar, quitar o reemplazar el ventilador o cualquiera de sus partes.

Esta garantía no se aplicará a ninguna pérdida o daño que resulte del (i) uso y desgaste normales o de una alteración, uso indebido o descuido, o de la (ii) instalación, operación, reparación o mantenimiento inadecuados por parte del comprador original o de un tercero, incluidos, entre otros, suministro de voltaje inadecuado o sobrecarga eléctrica, uso de piezas o accesorios inadecuados, reparación no autorizada (realizada o que se intentó realizar) o falta de mantenimiento al ventilador.

LAS GARANTÍAS PRECEDENTES ESTABLECEN LA OBLIGACIÓN DE GARANTÍA COMPLETA DE PROGRESS LIGHTING Y LA COMPENSACIÓN ÚNICA Y EXCLUSIVA DEL COMPRADOR ORIGINAL EN RELACIÓN CON DICHS PRODUCTOS. PROGRESS LIGHTING NO ASUME RESPONSABILIDAD POR DAÑOS (INCLUIDOS INDIRECTOS, ESPECIALES, INCIDENTALES O EMERGENTES), DEBIDO A FALLAS DEL PRODUCTO, YA SEA QUE SURJAN DEL INCUMPLIMIENTO DE LA GARANTÍA, DEL INCUMPLIMIENTO CONTRACTUAL O DE OTRO MODO. ESTA GARANTÍA REEMPLAZA CUALQUIER OTRA GARANTÍA, YA SEA EXPRESA O IMPLÍCITA, INCLUSO AQUELLAS DE COMERCIABILIDAD, IDONEIDAD PARA UN FIN EN PARTICULAR O NO INCUMPLIMIENTO.

Algunos estados no permiten limitaciones sobre la duración de una garantía implícita o la exclusión de limitaciones de daños incidentales o emergentes, de modo que las limitaciones y exclusiones anteriores tal vez no se apliquen a su caso. La presente garantía le otorga derechos específicos y es posible que usted tenga otros derechos que varían según el estado.

Fecha de compra \_\_\_\_\_

Lugar de compra \_\_\_\_\_

N de modelo \_\_\_\_\_

N de serie \_\_\_\_\_

Numero de vendedor 109226

UPC 785247231478

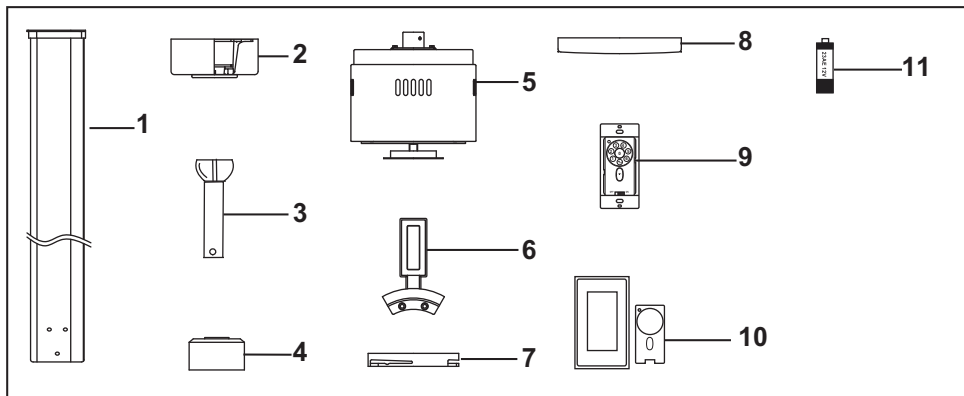


Normas de seguridad .....	1.
Cómo desembalar el ventilador .....	2.
Cómo instalar el ventilador .....	3.
Instalación del Cubierta de la Luz de Metal .....	9.
Operando su transmisor .....	11.
Cómo cuidar del ventilador .....	14.
Resolución de problemas .....	15.
Especificaciones .....	16.

## *Tabla de Contenido*

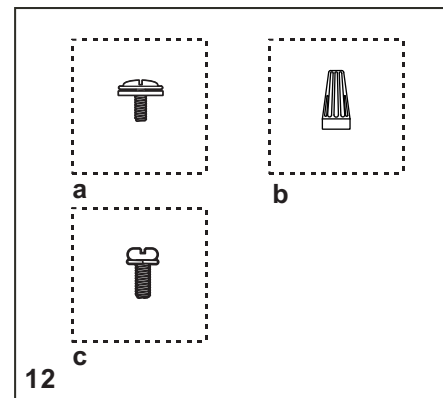
1. Para reducir el riesgo de electrocución, asegurarse de que la electricidad se ha desactivado en el cortacircuitos o caja de fusibles antes de comenzar.
  2. Todo cableado debe realizarse conforme al Código Eléctrico Nacional y los códigos eléctricos locales. La instalación eléctrica debe ser realizada por un electricista registrado calificado.
  3. **ADVERTENCIA:** Para reducir el riesgo de una electrocución e incendio, no usar este ventilador con ningún dispositivo de este tipo para control de la velocidad del ventilador.
  4. **ADVERTENCIA:** para reducir el riesgo de incendio, descarga eléctrica o lesión personal, monte a una caja de distribución marcada como "Aceptable para soporte de un ventilador de 15.9kg (35 lbs.) de peso o menos" y monte con los tornillos proporcionados con la caja de distribución. La mayoría de las cajas de conexión utilizadas para soportar artefactos de iluminación, no son aptas para colgar un ventilador y podría ser necesario cambiarlas. Debido a la complejidad de la instalación de este ventilador, se recomienda encarecidamente que la realice un electricista licenciado cualificado.
- ADVERTENCIA**  
PARA REDUCIR EL RIESGO DE INCENDIO ELECTROCUCIÓN O LESIONES PERSONALES. MONTAR EL VENTILADOR EN UNA CAJA DE DISTRIBUCIÓN MARCADA COMO ACEPTABLE PARA SOPORTE DE VENTILADORES.
5. La caja de distribución y la estructura de soporte deben estar montados de manera segura y deben ser capaces de soportar, de manera confiable, un mínimo de 35 libras (15,9 kilogramos). Usar solamente cajas de distribución listadas por UL, marcadas "**PARA SOPORTE DE VENTILADORES**".
  6. EL ventilador debe estar montado con un mínimo de 10 pies (3.05m) de espacio libre desde el borde posterior de las aspas hasta el piso.
  7. Invierta el ventilador con el motor encendido a cualquier velocidad.
  8. Evitar colocar objetos que interfiera el giro de las aspas.
  9. Para evitar lesiones personales o daños al ventilador y otros artículos, tener cuidado al trabajar cerca del ventilador o al limpiarlo.
  10. No usar agua o detergentes al limpiar el ventilador o las aspas del ventilador. Para la mayoría de los propósitos de limpieza, un paño seco o ligeramente humedecido será apropiado.
  11. Después de realizar las conexiones eléctricas, los conductores empalmados se deben voltear hacia arriba y se deben empujar con cuidado hacia dentro de la caja de distribución. Los cables deben estar separados, con el conductor a tierra y el conductor a tierra del equipo en un lado de la caja de distribución.
  12. Los diagramas eléctricos son para referencia únicamente. Los juegos de iluminación que no estén embalados con el ventilador deben estar listados por UL y marcados como apropiados para ser usados con el modelo de ventilador que se está instalando. Los interruptores deberán ser Interruptores para uso general UL. Refiérase a las instrucciones embaladas con los juegos de iluminación e interruptores para obtener información sobre el montaje adecuado.
- ADVERTENCIA**  
PARA REDUCIR EL RIESGO DE LESIONES PERSONALES, NO DOBLAR LOS SOPORTES DE LAS ASPAS (TAMBIÉN LLAMADOS "REBORDES" DURANTE EL MONTAJE O DESPUÉS DE LA INSTALACIÓN NO INSERTAR OBJETOS EN LA TRAYECTORIA DE LAS ASPAS.
- NOTA**  
!LEER Y GUARDAR TODAS LAS INSTRUCCIONES!

# *1. Normas de seguridad*



Unpack your fan and check the contents. You should have the following items:

- |   |   |
|---|---|
| 1. Juego de aspas (6)                       | 8. Cubierta de la luz de metal  |
| 2. Escudete superior                        | 9. Transmisor de pared incl. 2 tornillos de montaje y 3 tuercas de cable                      |
| 3. Conjunto de bola/tubo de suspensión      | 10. Placas de pared, 1 placa frontal, 2 juegos de tornillos de montaje y tornillos de máquina |
| 4. Cubridor del motor                       | 11. 12V MN21/A23 batería  |
| 5. Conjunto de motor del ventilador         | 12. Juego de balanceo   |
| 6. Juego de soporte de fijación a aspas (6) |   |
| 7. Plato de montaje                         |   |



12. Dos bolsas de piezas pequeñas:

- a. **Piezas de fijación de las aspas**  
(19 Tornillos, 19 Arandelas de fibra)
- b. **Piezas demontaje**  
(3 conectores plásticos para cables eléctricos).
- c. **Piezas de fijación de los soporte de aspa**  
(1 tornillo con arandelas de cierre extra)

## *Cómo desembalar el ventilador 2.*

## Herramienta necesarias

Destornillador Phillips, destornillador normal, llave de tuercas ajustable, escalera de tijera, y cortadoras de alambre.

## Opciones de instalación

Si no hay una caja con UL registración de montaje existente, sirvase leer las siguientes instrucciones. Desconectar el suministro de electricidad removiendo los fusibles o desactivando los cortacircuitos.

Asegurar la caja de distribución directamente a la estructura del edificio. Usar los sujetadores y materiales de construcción apropiados. La caja de distribución y su soporte deben ser capaces de soportar completamente el peso en movimiento del ventilador (al menos 35 libras o 15.9 kgs.) No usar cajas de distribución plásticas.

**ADVERTENCIA**  
PARA REDUCIR EL RIESGO DE INCENDIO, ELECTROCUCIÓN O DAÑO PERSONAL, INSTALAR EL VENTILADOR A UNA CAJA DE DISTRIBUCION MARCADA "ACEPTADA PARA SOPORTAR VENTILADOR" Y USAR LOS TORNILLOS DE MONTAJE SUMINISTRADOS CON LA CAJA DE DISTRIBUCION

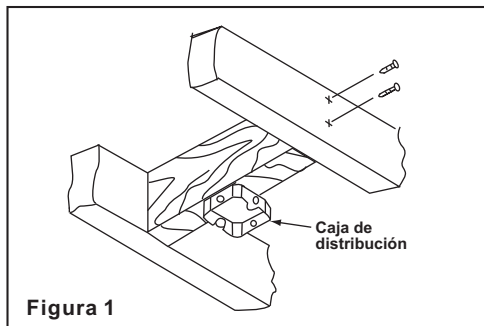


Figura 1

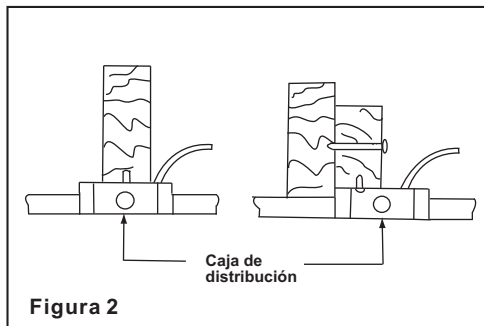


Figura 2

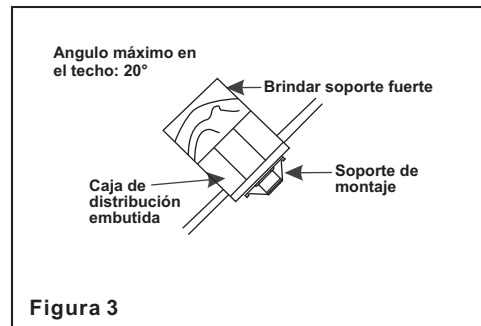


Figura 3

**Nota:** Ud. Puede necesitar una barra de extension para mantener la distancia apropiada de las aspas cuando la instalación se efectúe en un techo inclinado.

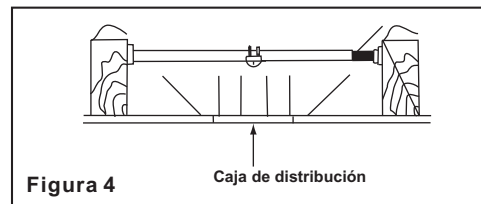


Figura 4

Para colgar su ventilador donde ya existe una instalación pero no una viga de techo, es posible que se necesite una instalación de barra de suspensión como se muestra la Figura 4 (disponible en su distribuidor Progress Lighting).

## 3. Cómo instalar el ventilador

## Colocación del ventilador

**RECUERDE** desconectar la alimentación. Siga estos pasos para colocar correctamente el ventilador:

**Paso 1.** Retire la tapa embellecedora del fondo del cobertor girando la tapa en sentido de las agujas del reloj. (Fig. 5)

**Paso 2.** Quite el soporte de montaje de la cubierta quitando 1 de los 2 tornillos de la parte inferior del soporte de montaje y aflojando el otro media vuelta desde la cabeza del tornillo. A continuación, gire la soporte de montaje en sentido contrahorario para quitar la cubierta. (Fig. 5)

**Paso 3.** Pase los hilos de 120 voltios a través del agujero central del soporte de suspensión del techo tal y cómo se muestra en la. (Fig. 6)

**Paso 4.** Fije el soporte de montaje a la caja del techo con los tornillos y arandelas suministradas en la caja.

**Paso 5.** Retire el pasador de suspensión, el pasador de bloqueo y el conjunto de tornillos y de la parte superior del ensamblaje del motor. (Fig. 7)

**Paso 6.** Guíe los cable de seguridad y cables que salen de la parte superior del motor del ventilador a través de la voluta decorativa, tapa de la cubierta, cubierta y luego a través de la bola/varilla. (Fig. 7)

**Paso 7.** Alinee los agujeros de la parte inferior de la barra con los agujeros del cuello en la

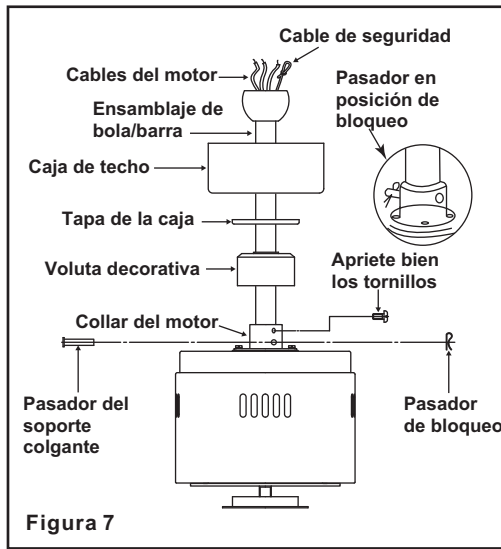
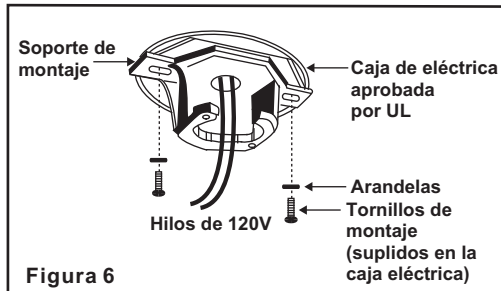
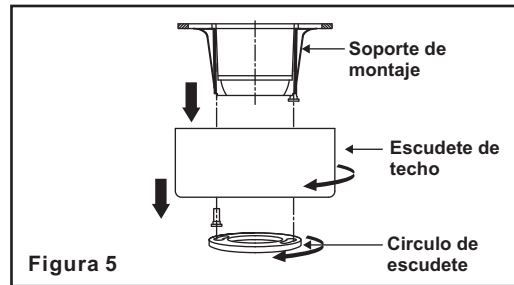
parte superior de la caja del motor (Fig. 7) Introduzca con cuidado el pasador de suspensión a través de los agujeros del cuello y de la barra. Tenga cuidado de que el pasador no se atasque con los hilos de dentro de la barra. Introduzca el pasador de bloqueo a través del agujero cercano al extremo del pasador de suspensión hasta que quede en la posición de bloqueo, tal y cómo se especifica en el círculo de la Fig. 7.

**ADVERTENCIA**  
SI NO INSTALA EL PASADOR  
CORRECTAMENTE TAL Y CÓMO SE  
ESPECIFICA EN EL PASO 7, EL  
VENTILADOR PODRÍA AFLOJARSE E  
INCLUSO CAER.

**Paso 8.** Apriete bien los dos tornillos de la parte superior del motor. (Fig. 7)

**Paso 9.** Coloque la bola de la barra en la ranura del soporte de suspensión.

**Paso 10.** Asegure el cable de seguridad a la estructura del edificio con un tornillo para madera (no incluido).



# Realizar las Conexiones Eléctricas

**ADVERTENCIA:** Para evitar posibles descargas eléctricas, asegúrese de que la electricidad esté apagada en el cuadro principal de fusibles antes del cableado.

**Nota:** El control debe estar a 30 pies del ventilador. Instalar el interruptor en una caja de interruptores de metal podría causar interrelación con la señal de control y hacer que el ventilador no responda como se desea a los comandos del interruptor.

Si no tiene los conocimientos necesarios sobre instalaciones eléctricas o experiencia, deje que sea un electricista profesional quien realice la instalación.

1. Desconecte la alimentación y quite la placa de la pared y el enchufe de la toma de corriente en la pared.
2. Realice las conexiones de los cables como sigue, utilizando las tuercas. (Fig. 8)

**a. Conexión de cable del control de pared.** (Fig. 8)

**CONECTAR**

(Desde el control de pared)

Cable negro (AL MOTOR L)-----

Cable negro (ENTRADA AC L)-----

Cable de tierra amarillo/verde-----

**HASTA**

(Desde la toma de corriente de la pared)

Cable blanco

Cable negro desde la fuente de alimentación A/C

Cable verde de la toma de corriente

• Si tu caja de tomacorriente de pared tiene un cable a tierra (verde o de cobre pelado), conéctale el cable a tierra amarillo/verde del control de pared; de no tenerlo, conecta el cable a tierra amarillo/verde del control de pared directamente a uno de los tornillo de la caja de tomacorriente de pared.

**b. Conexión del cable del ventilador.** (Fig. 8)

**CONECTAR**

(Del ventilador)

Cable negro del ventilador-----

Cable blanco-----

Cable verde-----

**HASTA**

(Cable conductor entre el techo y la toma de corriente)

Cable blanco

Cable blanco desde la fuente de alimentación A/C

El conductor de tierra desde la fuente de 120V puede ser un cable pelado o un cable verde aislado.

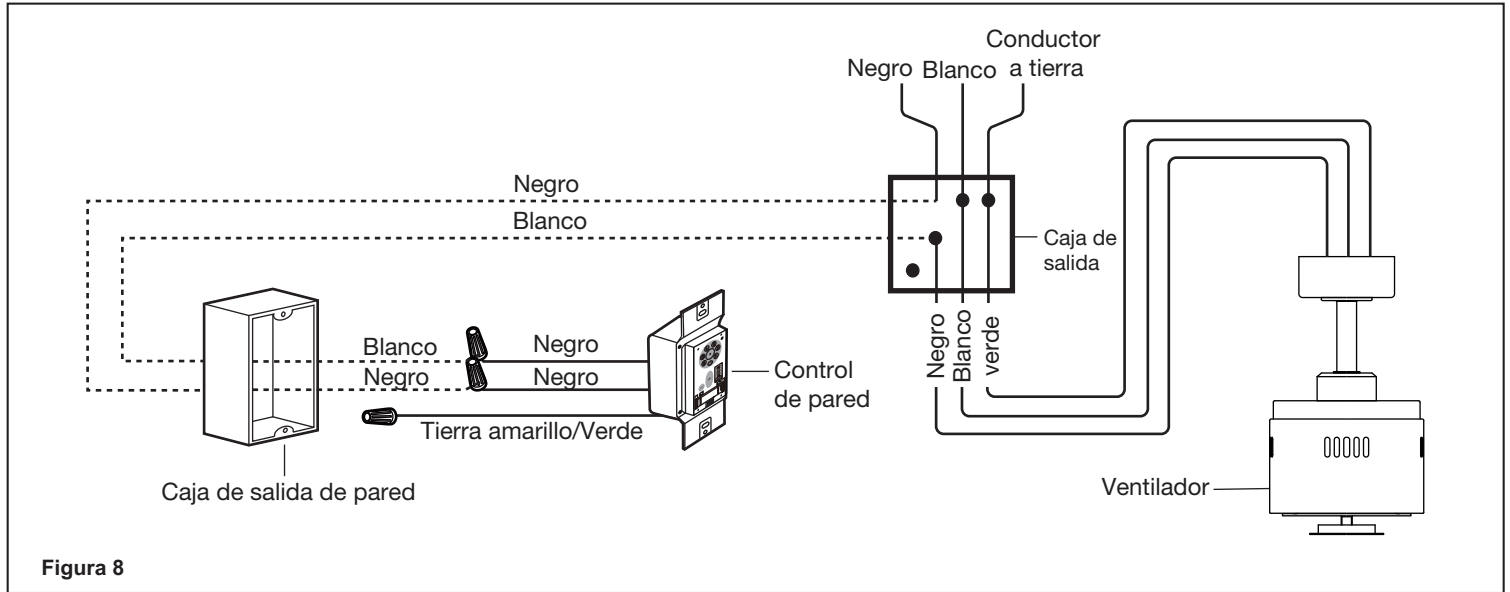


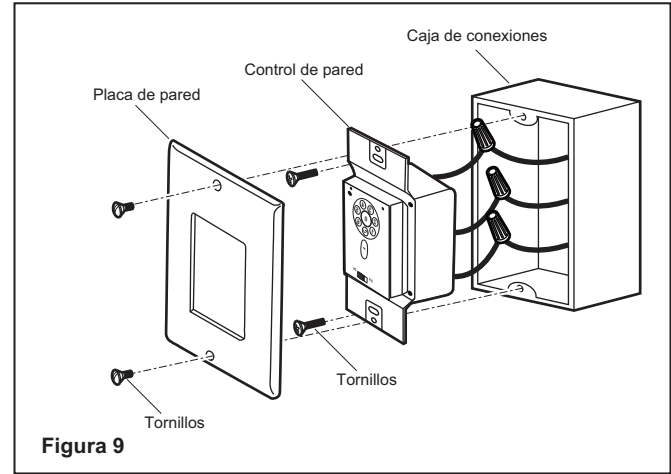
Figura 8

## Instalación del interruptor de pared

**ADVERTENCIA:** Sólo conecta sólo los “cables en serie”. No conectes los cables positivos y neutros del circuito eléctrico al interruptor del transmisor de pared, puede causar daño al interruptor y un posible incendio.

**ADVERTENCIA:** Recuerda apagar la corriente eléctrica en el cortacircuitos o la caja de fusibles.

1. Meta con cuidado las conexiones de los cables dentro de la caja de conexiones. Fije el interruptor de pared con los dos tornillos interruptor de pared, siempre.
2. Coloque la placa de pared en el interruptor de pared y fijela con los dos tornillos de la placa de pared proporcionado.



## Terminando la Instalación

**Paso 1.** Meta las conexiones en forma ordenada adentro de la toma de corriente.

**Paso 2.** Deslice la cubierta hacia arriba hacia el soporte de montaje y coloque el agujero de posición de la cubierta sobre el tornillo del soporte de montaje, gire la cubierta hasta que quede encajada en su lugar en la sección estrecha de los agujeros de posición. (Fig. 10)

**Paso 3.** Alinee el agujero circular de la cubierta con el agujero restante en el soporte de montaje, fíjelo apretando los dos juegos de tornillos. Nota: Ajuste los tornillos de la cubierta hasta que la cubierta y la tapa de la cubierta queden ajustadas.

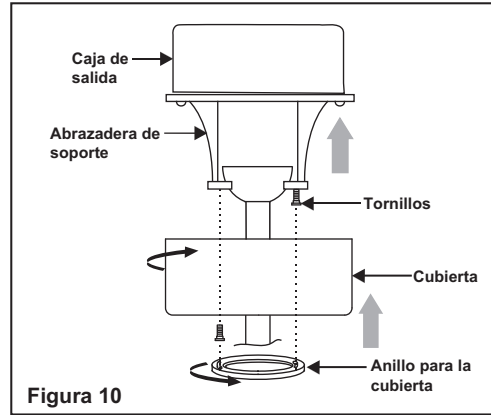


Figura 10

### ADVERTENCIA

ASEGURARSE DE QUE LA LENGUETA LOCALIZADA EN LA PARTE INFERIOR DEL SOPORTE DE SUSPENSIÓN ESTÉ ASENTADA CORRECTAMENTE EN LA RANURA DE BOLA DE SUSPENSIÓN ANTES DE FIJAR EL ESCUDETE AL SOPORTE. EL NO AJUSTAR CORRECTAMENTE LA LENGUETA EN LA RANURA PODRÍA CAUSAR DAÑO AL CABLEADO ELÉCTRICO.

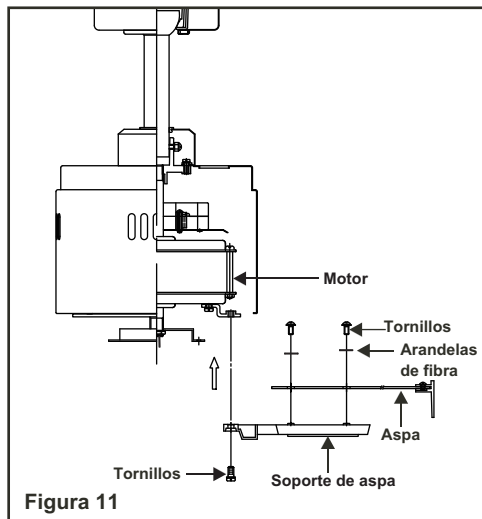
# Instalacion de las Aspas

**PRECAUCIÓN:** Quite los 8 montajes de goma del paquete y retírelos antes de la instalación.

**Paso 1.** Se pegan las palas a los soportes usando los tornillos y las arandelas de fibra provistos como indicado en Fig 11. Inserta un tornillo en el soporte sin apretarlo. Repite el paso por los otros 2 tornillos y arandelas.

**Paso 2.** Apreta todos los tornillos fímente empezando con el tornillo cortador. Asígurate de que la pala esté recta.

**Paso 3.** Alinie los agujeros de la abrazadera con los del motor y asegurela con los tornillos suministrados. Apriete bien los tornillos. (Figura 11).



## Balaneo de las Aspas

Todas las aspas están agrupadas por peso. Debido a que la desidad de las maderas naturales varía, el ventilador podría oscilar aún cuando el peso de las aspas esté equilibrado.

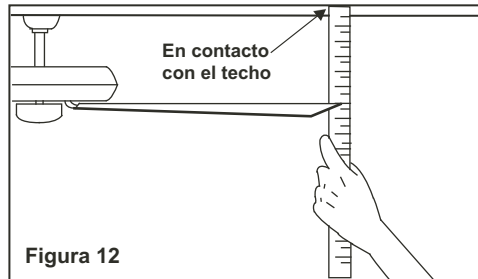
El siguiente proceimiento deberia mayor parte de la oscilación del ventilador. Corregir la Verificar después de cada paso.

1. Verificar que todos los tornillos de aspas y de soportes de aspas estén seguros.

2. La mayoría de los problemas de oscilación se originan cuando los niveles de las aspas son desiguales. Revisar esté nivel por medio de seleccionar un punto del techo por encima de la punta de una de las aspas. Medir esta distancia como se muestra en la Figura 12. Rotar el ventilador hasta que la siguiente aspa esté ubicada para medición. procedimiento para cada aspa. Las medi repetir el das hacer fucional deben mantenerse dentro de 1/8 pulgadas (3mm).

3. Si la oscilación de las aspas todavía se puede notar, el intercambio de dos aspas adyacentes (lado a lado) puede redistribuir el peso y es posible que resulte en un funcionamiento más uniforme.

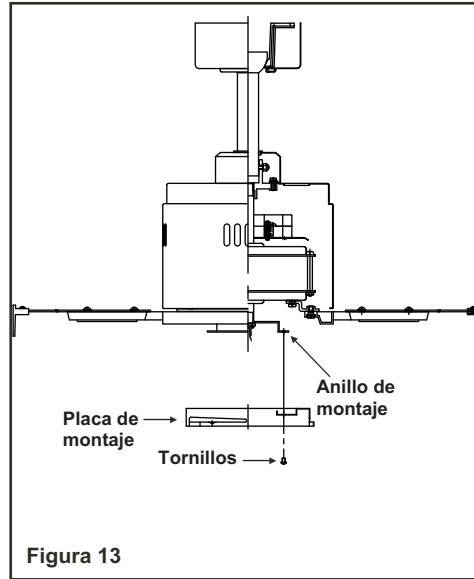
**ADVERTENCIA**  
PARA REDUIR RIESGO DE LESIONES PERSONALES. NO DOBLAR LOS SUJETADORES DE ASPAS MIENTRAS SE REALIZA LA INSTALACIÓN. EL BALANCEO DE LAS ASPAS O SU LIMPIEZA. NO INSERTAR OBJETOS EXTRANOS ENTRE LAS ASPAS DEL VENTILADOR EN ROTACIÓN.



## Instalación de la Placa de Montaje

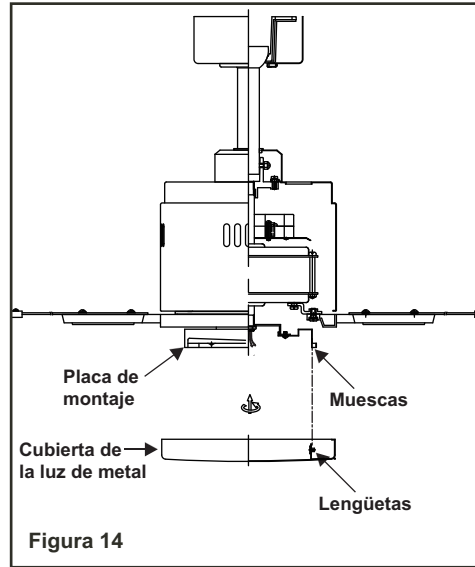
Paso 1. Quite 1 de los 3 tornillos del anillo de montaje y afloje los otros 2 tornillos. (No los quite)

Paso 2. Coloque los agujeros del plato de montaje en los 2 tornillos previamente aflojados del anillo de montaje, gire el plato de montaje hasta que quede fijo en su lugar en la parte estrecha de los agujeros. Asegúrela apretando los 2 tornillos aflojados y también el que quitó anteriormente. (Fig. 13)



**PRECAUCIÓN:** Antes de comenzar con la instalación, desconecte la alimentación apagando el circuito del automático o quitando el fusible de la caja de fusibles. Para evitar descargas eléctricas, no basta con apagar la alimentación utilizando el interruptor del ventilador.

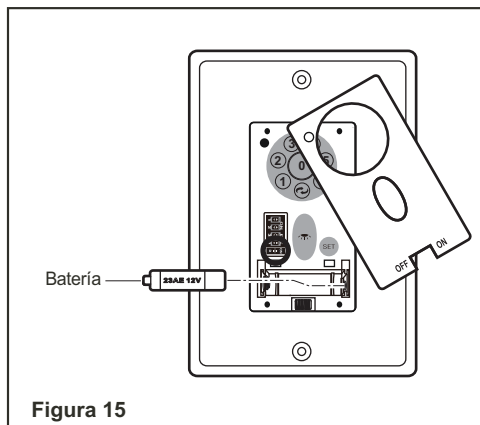
Coloque las lengüetas en el interior del borde de la cubierta de la luz de metal para que se alineen con las muescas en el interior del borde de la placa de montaje. Levante cuidadosamente la cubierta de la luz de metal dentro de la placa de montaje y asegúrela al ventilador. Gire la cubierta de la luz de metal en el sentido de las agujas del reloj hasta que quede ajustada. (Fig. 14)



## *11. Instalación del Cubierta de la Luz de Metal*

## Instalación de la Batería

Instala una batería MN21/A23 de 12V (incluida) en el control remoto. Para prevenir daños al control remoto, sacala batería si no va a usarse por largo tiempo. (Fig. 15)



Definición de botón del control de pared. (Fig. 16)  
Estos seis botones se utilizan para ajustar la velocidad del ventilador:

- 1 = velocidad mínima
- 2 = velocidad baja
- 3 = velocidad media baja
- 4 = velocidad media
- 5 = velocidad media alta
- 6 = velocidad alta
- 0 = Este botón apaga el ventilador.

🌀 botón: Este botón controla la dirección del ventilador.  
☀️ botón: Este botón sirve para controlar la luz. Cambie el interruptor “D” y “ON” de la parte posterior del transmisor para decidir el estado de “ENCENDIDO/APAGADO” o “Atenuación”.

Su motor DC sin escobillas está equipado con un control de pared de tipo aprendido automáticamente. No hay interruptores de frecuencia en el receptor; la unidad receptora escaneará automáticamente la frecuencia del control de pared si se realizan cambios. La configuración de frecuencia en el transmisor debe cambiarse SÓLO en caso de interferencia o si se instalan un segundo o más ventiladores de techo con el mismo tipo de sistema de control en la misma estructura.

### Cómo configurar el control remoto

Sigue los pasos más abajo para configurar el control de pared: La función de aprendizaje automático sólo es dentro de los 60 segundos al encender la corriente eléctrica al ventilador.

a) Seleccione la frecuencia deseada del transmisor. Los interruptores dip se pueden configurar en 16 combinaciones diferentes. (Fig. 17)

Desde la parte posterior del transmisor, con la energía del ventilador apagada, restablezca la alimentación del ventilador. Mantenga presionado el botón "SET" durante aproximadamente 5 segundos y suéltelo. La luz de señal en el transmisor de mano se encenderá cuando se presione el botón. El ventilador completó el proceso de emparejamiento con el control remoto y está listo para usar. (Fig. 17)

**NOTA:** Si la prueba de autocalibración falló, apagar la corriente eléctrica al ventilador; restaurar la alimentación y procesar otra vez la prueba de autocalibración.

**NOTA:** Durante la prueba de calibración automática, el control remoto no funcionará.

**NOTA:** La función de la frecuencia de aprendizaje y prueba de autocalibración se continuará a estar and la memoria del ventilador incluso cuando la corriente se apage al ventilador. Si la frecuencia es cambiada la prueba de autocalibración se producirá otra vez.

# *Operando su transmisor 12.*

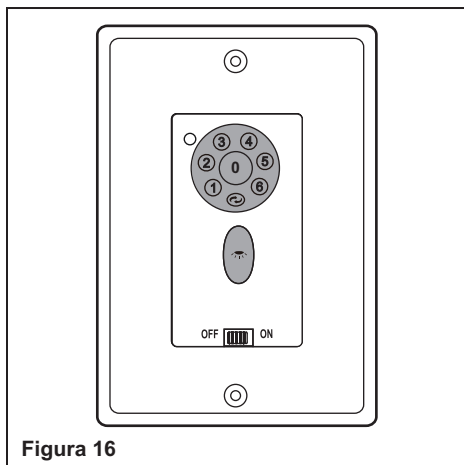


Figura 16

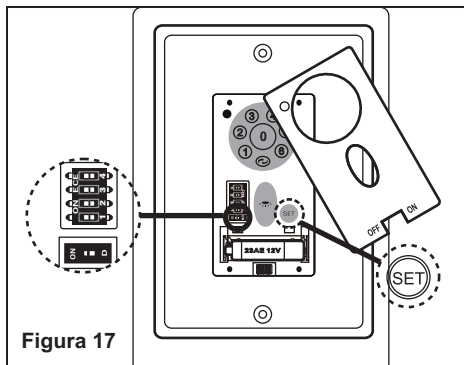


Figura 17

13.

El receptor ofrece la siguiente función de protección:

1. Posición de bloqueo: El motor DC tiene una función de seguridad incorporada contra obstrucción durante el uso. El motor será bloqueado y la corriente desconectada tras 30 segundos de interrupción. Quite el obstáculo antes de volver a poner en marcha.
2. Protección contra más de 80W: Cuando el receptor detecta que el consumo de energía del motor es de más de 80W, la alimentación del receptor se detiene y deja de funcionar inmediatamente. Vuelva a encender el receptor tras 5 segundos.

Los ajusters de velocidad para clima caliente o frío dependen de factores como el tamaño del cuarto, la altura del techo, cantidad de ventiladores, etc.

**NOTA:** Para activar el funcionamiento inverso de este ventilador, pulse el botón reverse (invertir) mientras está en marcha.

Clima cálido - (Hacia adelante) Un movimiento descendente de aire crea un efecto de enfriamiento cómo se muestra en la Figura 18. Esto permite fijar el aire acondicionado en un valor más alto sin afectar la comodidad del usuario.

Clima frío - (Retroseso) Un flujo de aire ascendente mueve el aire caliente alejándolo del área del techo cómo se muestra en la Figura 19. Esto permite fijar la unidad de calefacción en un valor más bajo sin afectar la comodidad usuario.

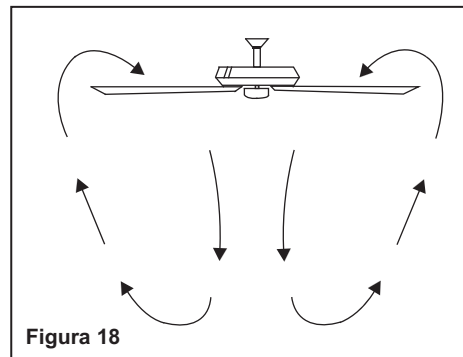


Figura 18

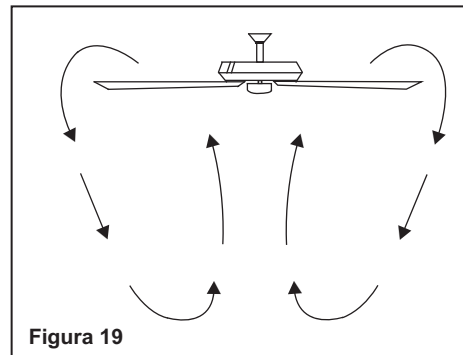


Figura 19

He aquí algunas sugerencias para ayudarle el mantenimiento del ventilador.

1. Debido al movimiento natural del ventilador, algunas conexiones se podrían aflojar. Examinar las conexiones del soporte, soportes, y accesorios de las aspas dos veces al año. Asegurarse de que estén seguros. (No es necesario retirar el ventilador del techo).

2. Limpiar el ventilador periódicamente para ayudar a mantener su apariencia de nuevo con el transcurso del tiempo. Usar solamente un cepillo suave o paño sin hilas para evitar rayar el acabado. El recubrimiento metálico se sella con una laca para minimizar la decoloración o manchado. No usar agua al limpiarlo o posiblemente causar choque eléctrico.

3. No hay necesidad de aceitar el ventilador. El motor tiene cojinetes permanentemente lubricados.

**ADVERTENCIA**  
ASEGURARSE DE QUE LA ELECTRICIDAD  
ESTÉ DESACTIVADA EN EL TABLERO DE  
DISTRIBUCIÓN ELÉCTRICA ANTES DE  
INTENTAR CUALQUIER REPARACIÓN  
REFERIRSE A LA SECCIÓN "CÓMO  
EFECTUAR CONEXIONES ELÉCTRICAS"

*Cómo cuidar del ventilador 14.*

## Problema

## Solución

El ventilador no arranca.

1. Revise los fusibles o disyuntores del circuito.
2. Verifique las conexiones de los cables de línea al ventilador y las conexiones de los cables del interruptor en la carcasa del interruptor.  
**PRECAUCIÓN:** Asegúrese de que la alimentación principal esté apagada.
3. Compruebe para asegurarse de que los interruptores DIP del transmisor y el receptor estén configurados en la misma frecuencia.
4. Verifique para asegurarse de que el control esté a 30 pies del ventilador.
5. Verifique si el control está en una caja de interruptores de metal. Una caja de interruptor de metal podría causar interferencia con la señal de control y hacer que el ventilador no pueda responder a los comandos de interruptor deseados.

El ventilador hace mucho ruido.

1. Asegurarse de que todos los tornillos de la cubierta del motor estén ajustados.
2. Asegurarse de que los tornillos que sujetan el soporte de aspas del ventilador al eje del motor estén apretados.
3. Asegurarse de que las conexiones de tuercas para cable no estén rozando unas contra otras o contra la pared interior de la cubierta protectora del interruptor.  
**PRECAUCIÓN:** Asegurarse de que la fuente principal de electricidad esté desactivada.
4. Permitir un período de "desgaste" de 24 horas. La mayoría de los ruidos asociados con un ventilador nuevo desaparecen durante este tiempo.
5. Algunos motores son sensibles a las señales provenientes de controles de velocidad variable de estado sólido. Si tiene instalado este tipo de control, elegir e instalar otro tipo.
6. Asegurarse de que el escudete superior esté a una corta distancia del techo. No debe hacer contacto con el techo.

Fallo del mando a distancia

1. No conecte el ventilador con un control en la pared de velocidad variable (s)
2. Compruebe que el interruptor oculto esté configurado correctamente.

# *15. Resolución de problemas*

Tamaño del Ventilador	Velocidad	Voltios	Amperios	Vatios	RPM	N.W.	G.W.	C.F.
<b>96"</b> <b>(244 cm)</b>	Baja	120	0.072	3.85	34	26.46 lbs	30.53 lbs	4.68'
	Alta	120	0.47	35.64	69			

Estas son mediciones aproximadas. No incluyen los Amperios y vatios usado por el juego de eliminación.

Este equipo cumple con lo establecido en la Parte 15 de la Normativa FCC. Su funcionamiento está sujeto a las dos condiciones siguientes: (1) Este equipo no causará interferencias perjudiciales y (2) este equipo tolerará cualquier interferencia recibida, incluidas las interferencias que puedan provocar un funcionamiento no deseado.

**Advertencia:** los cambios o modificaciones en esta unidad no aprobados expresamente por la parte responsable del cumplimiento podrán anular la autoridad del usuario para utilizar el equipo.

**NOTA:** este equipo ha sido probado y cumple con los límites establecidos para dispositivos digitales de clase B, según el apartado 15 de las Normas de la FCC. Dichos límites han sido definidos para proporcionar una protección razonable frente a interferencias perjudiciales en una instalación residencial. Este equipo genera, utiliza y puede desprender energía de radiofrecuencia y, si no se instala y se utiliza según las instrucciones, puede causar interferencias dañinas a la radiocomunicación.

Sin embargo, no es posible garantizar que el equipo no provoque interferencias en una instalación particular. Si este equipo provoca interferencias perjudiciales a la recepción de radio o televisión, lo que puede determinarse encendiéndolo y apagándolo, es recomendable intentar corregir dichas interferencias mediante una o varias de las siguientes medidas:

- Vuelva a orientar o cambie de lugar la antena receptora.
- Aumente la separación entre el equipo y el receptor.
- Conecte el equipo en una toma de corriente en un circuito diferente al que el receptor está conectado.
- Consulte con el distribuidor o con un técnico especialista en radio/televisión para más ayuda.

©2020 Progress Lighting, Inc.  
701 Millennium Blvd.,  
Greenville, SC 29607  
All Rights Reserved

*Especificaciones 16.*