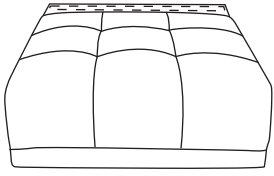
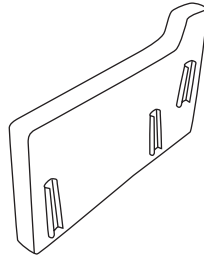


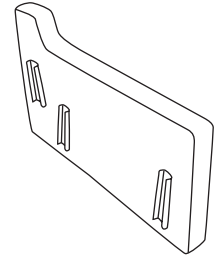
Components List



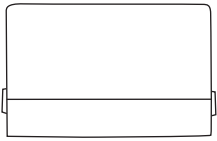
H X1



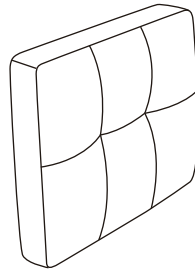
I-L X1



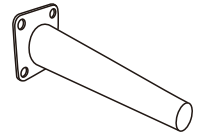
I-R X1



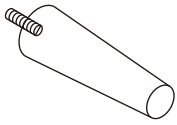
J X1



K X1

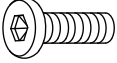



L X2






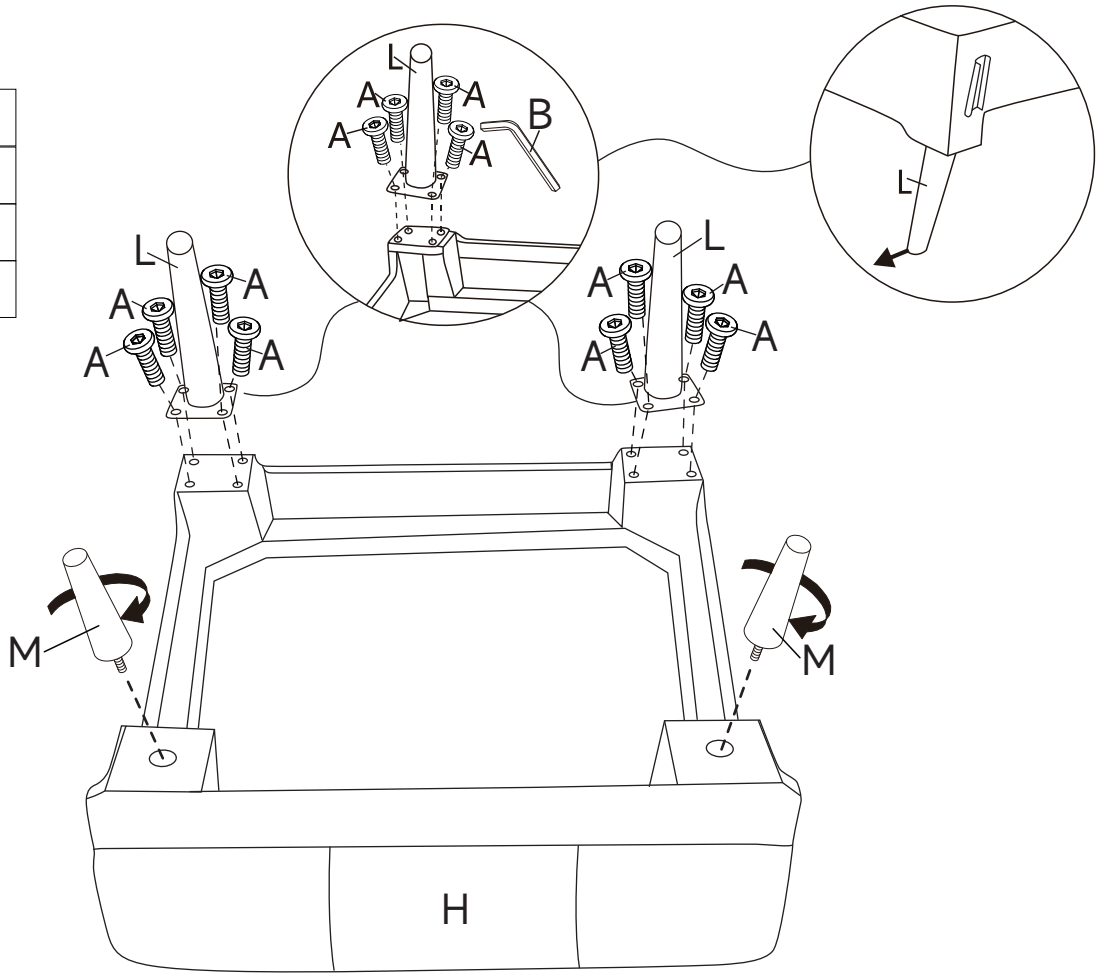
M X2

Hardware List

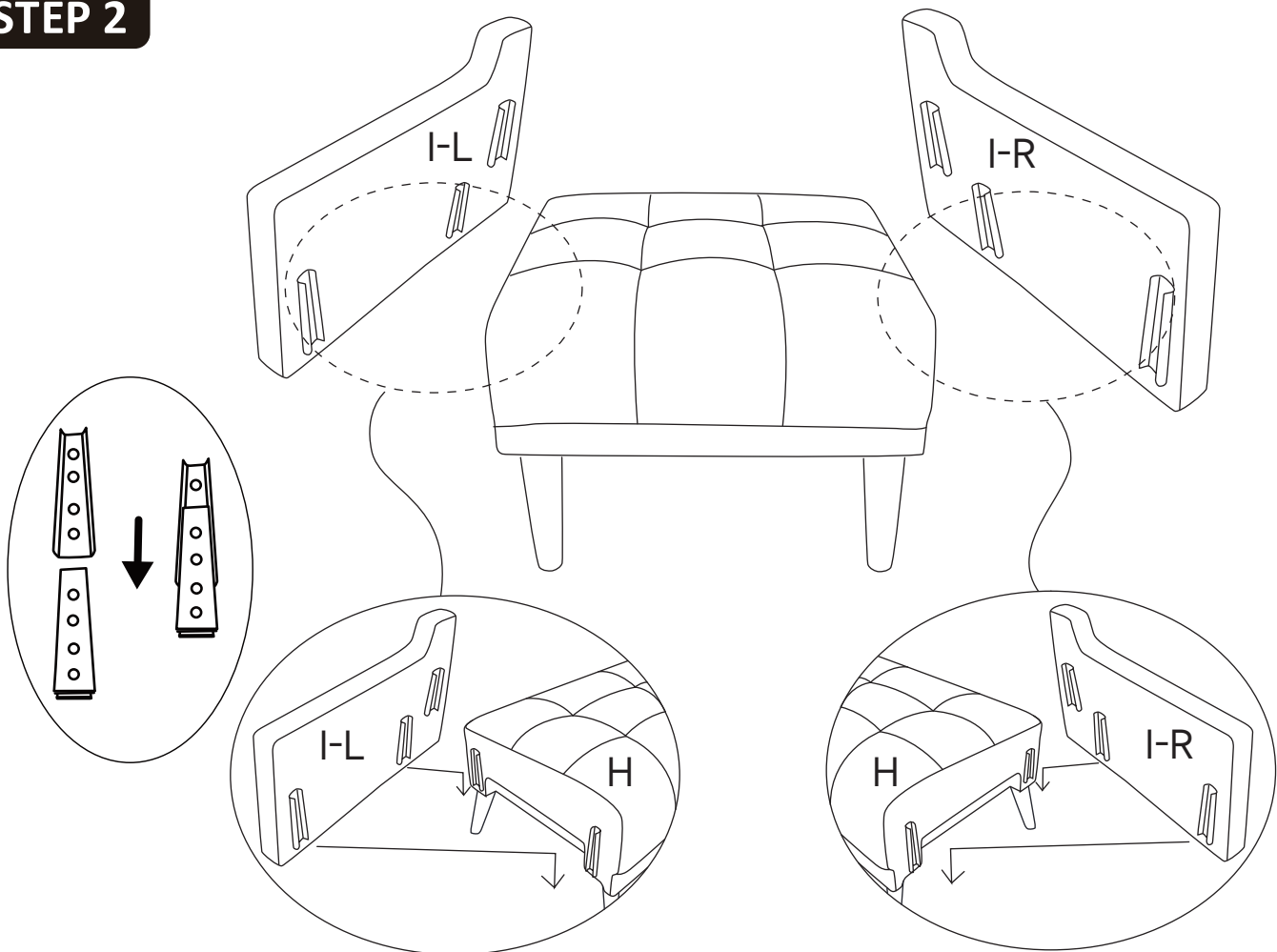
A M8X20mm  X8	B  X1
--	--

STEP 1

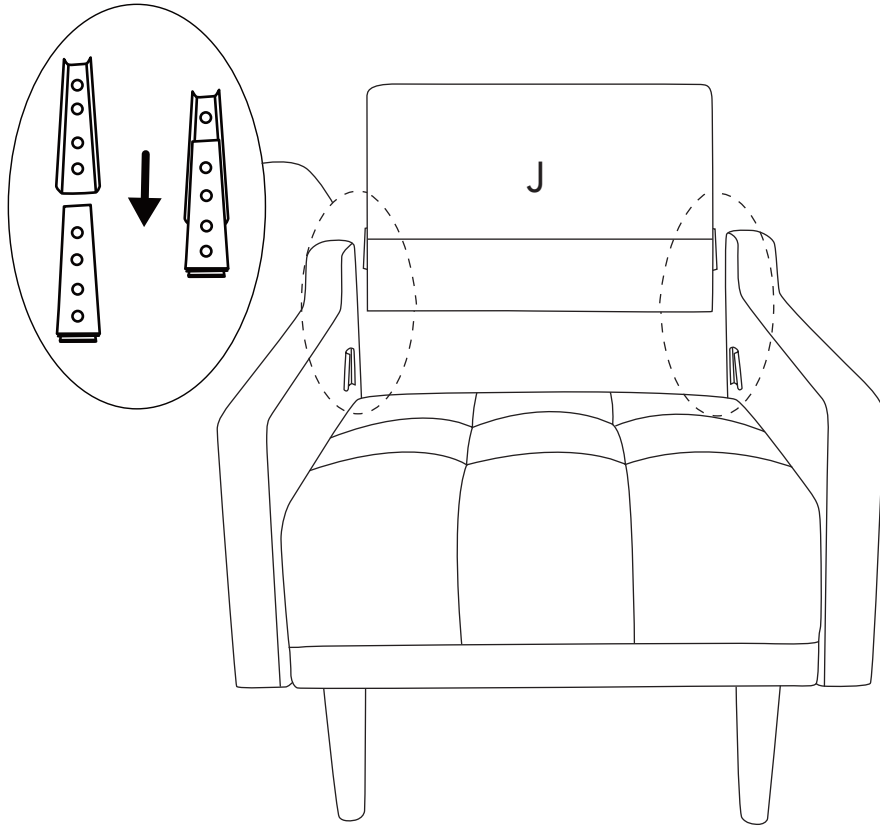
	A x 8
	B x 1
	L x 2
	M x 2



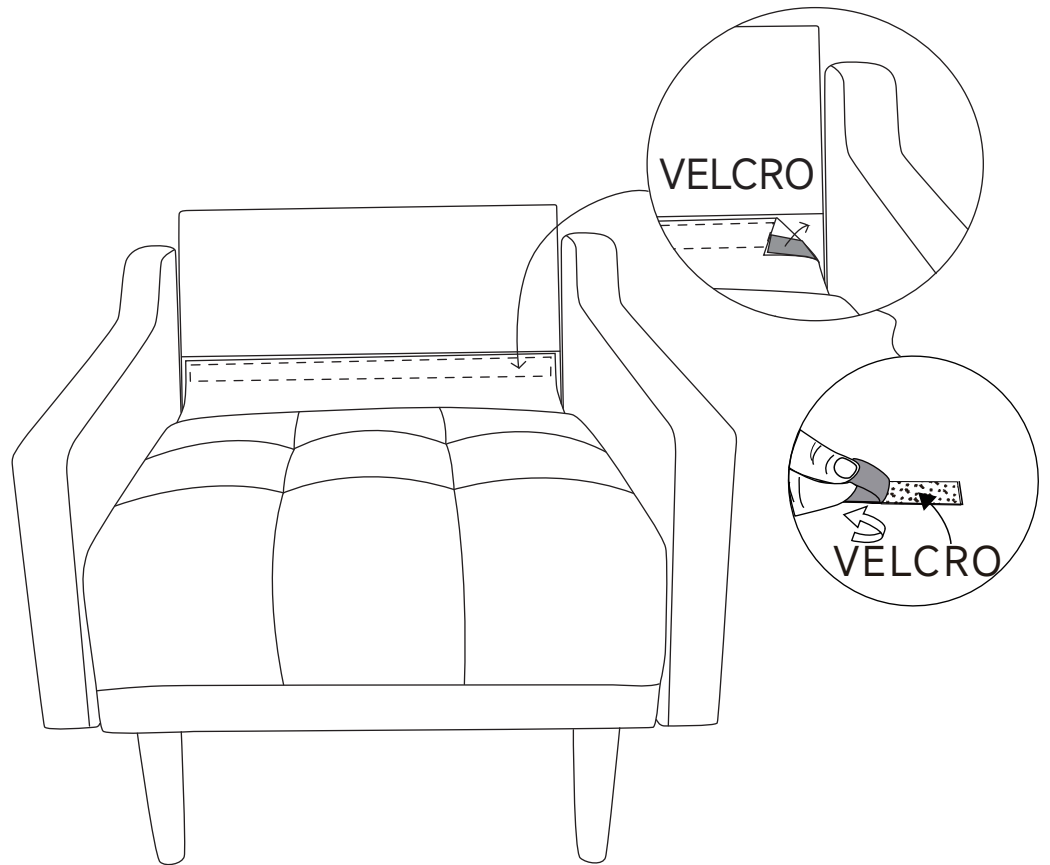
STEP 2



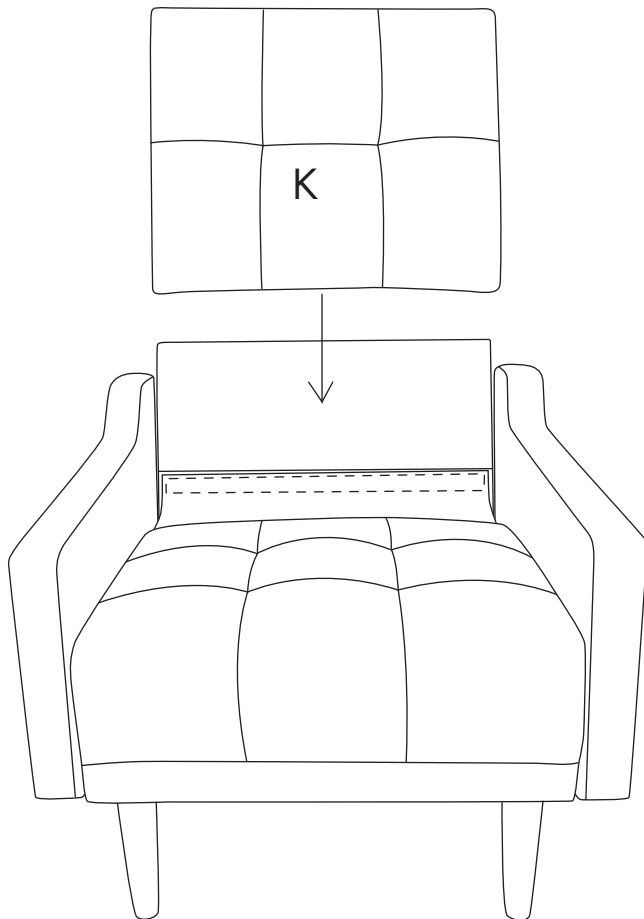
STEP 3



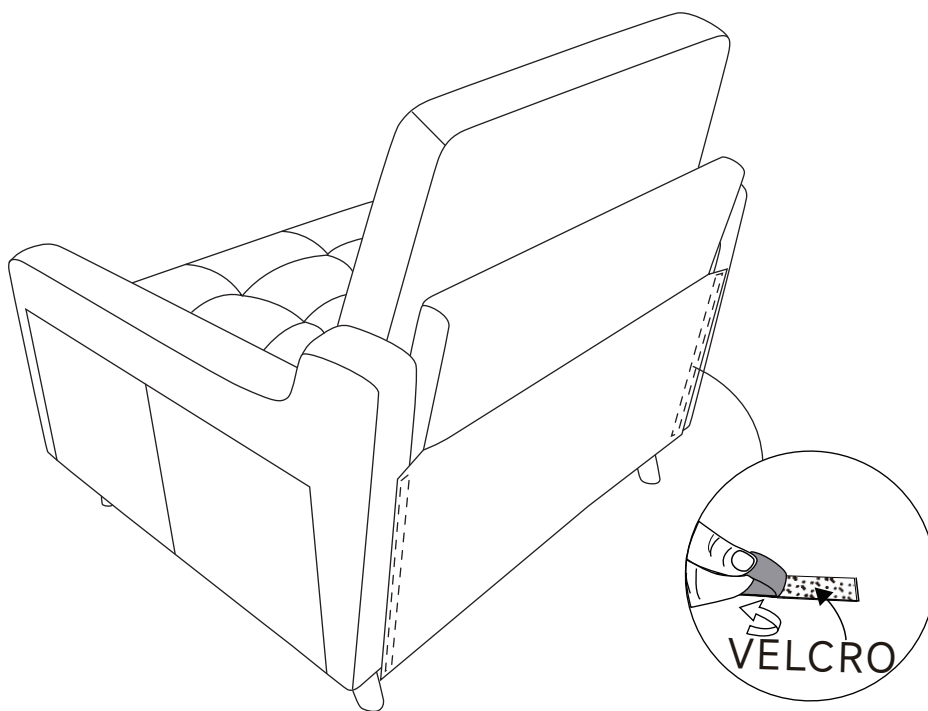
STEP 4



STEP 5



STEP 6



STEP 7

