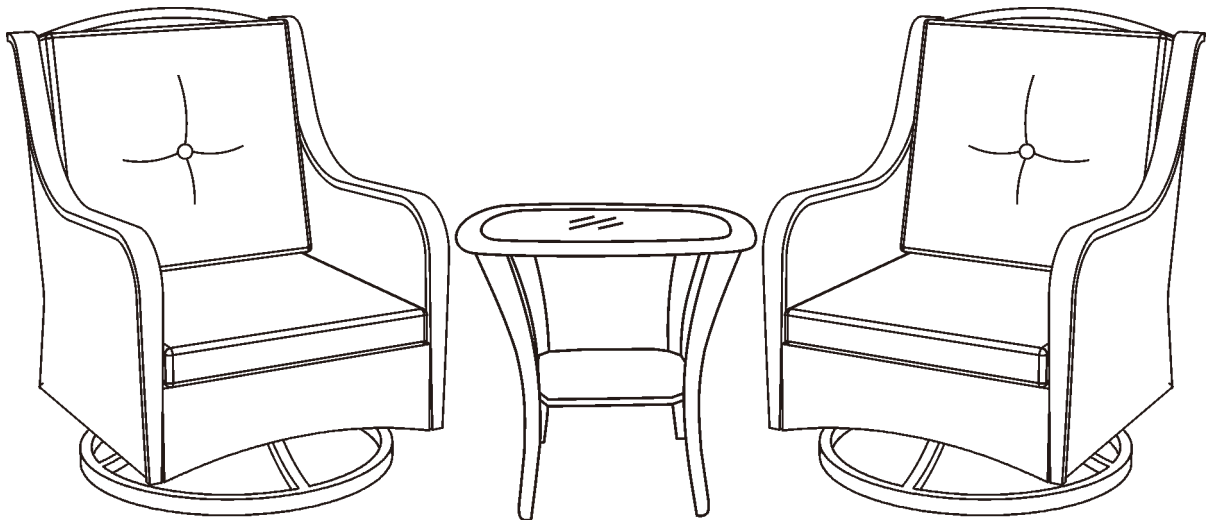






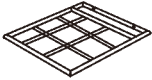



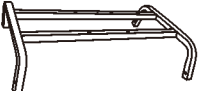





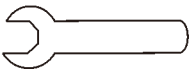
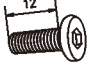
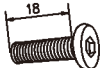
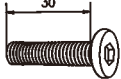
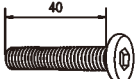


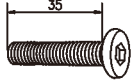
Patio Set

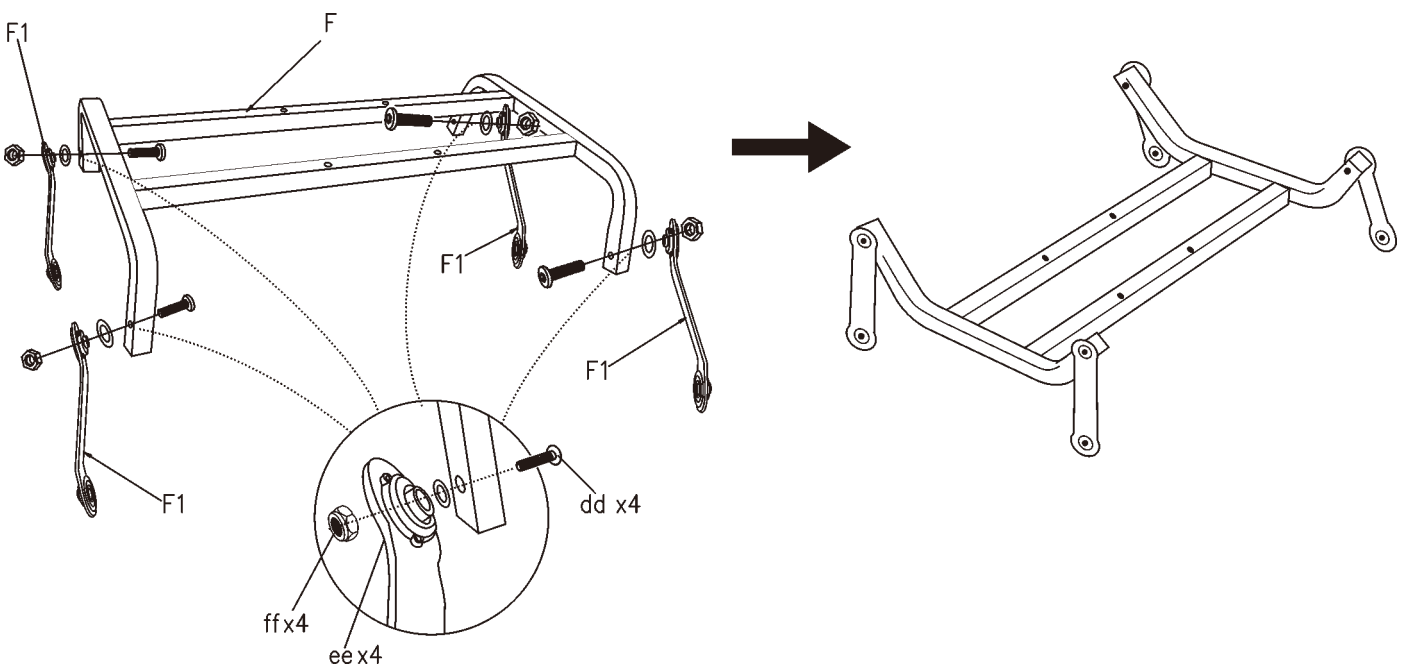
Assembly Instructions



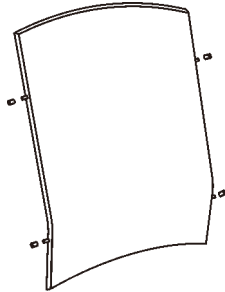
Patio Set Assembly Instructions

Part	Description	Qty	Part	Description	Qty
A	 Left	2 pcs	H		2 pcs
B	 Right	2 pcs	I		2 pcs
C		2 pcs	J		1 pcs
D		2 pcs	K		4 pcs
E		2 pcs	L		1 pcs
F		2 pcs	F1		8 pcs
G		2 pcs			

Part	Description	Qty
#1		2 pcs
#2		1 pcs
aa		12 pcs
bb		8 pcs
cc		8 pcs
dd		8 pcs
ee		16 pcs
ff		24 pcs
GG		24 pcs

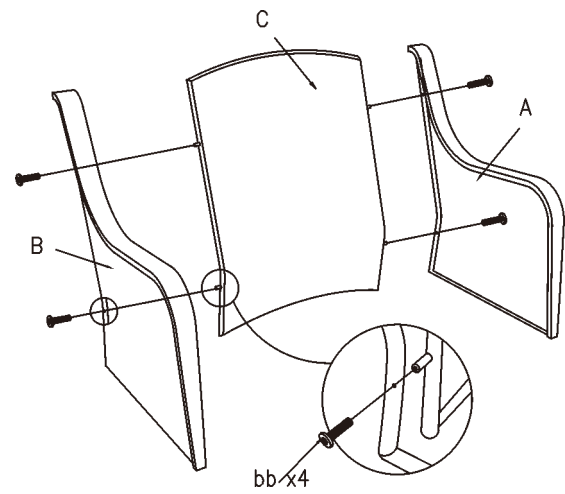


Step 1



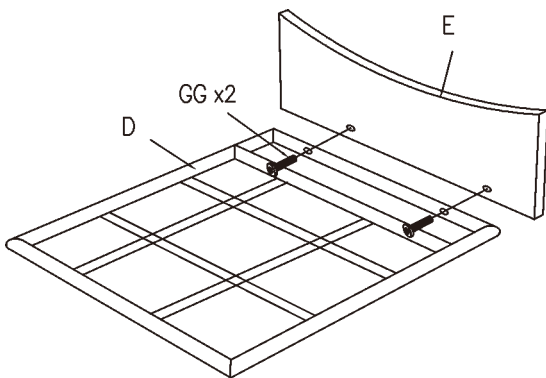
Pull out the rubber plug

Step 2

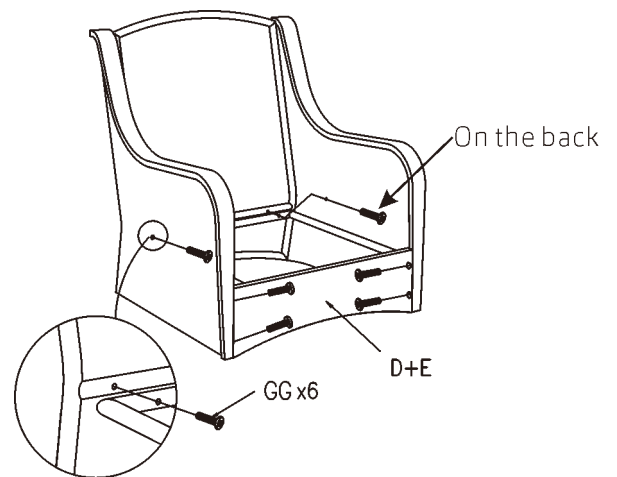


Tighten the screw on each side

Step 3

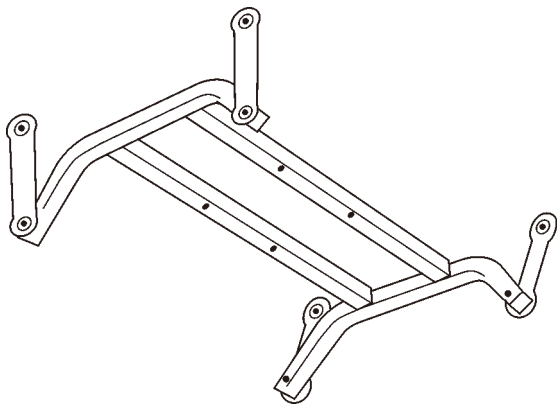


Step 4

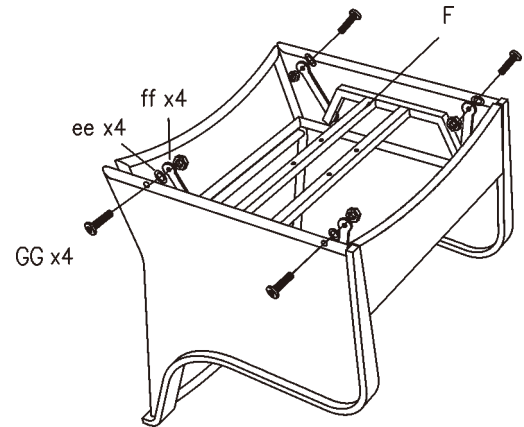


1. IDEALHOUSE is committed to providing customers with high-quality products and customer service. If you have any issues, please contact us anytime.
Customer Service Email-address: support@idealhouse.vip
2. Recommend to use waterproof furniture cover for entire patio sofa set when out of use to keep them longer performance.
3. Sofa cushion cover can be removable and clean up by cleaner when have stains.

Step 5

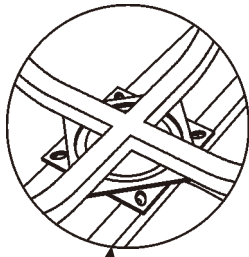


Put the baseplate as the picture shows

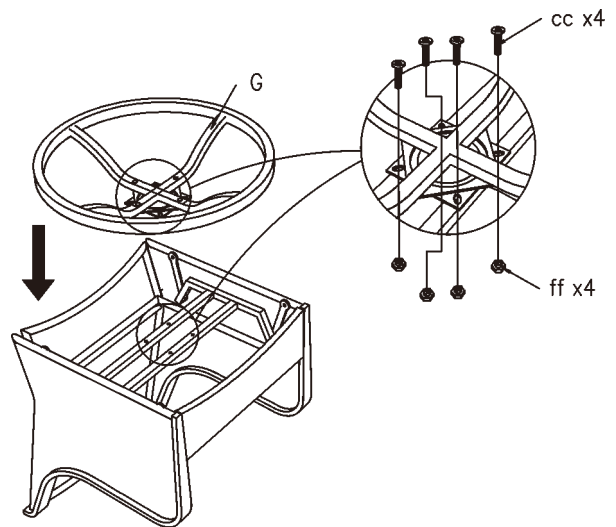


Turn over the chair base and tighten screws

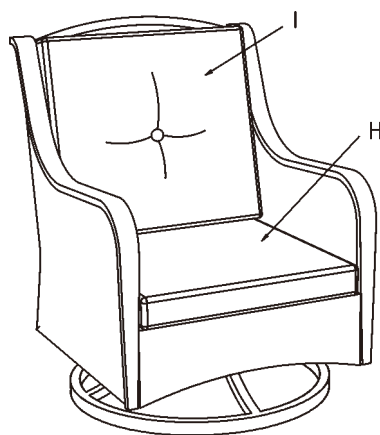
Step 6



Rotate the turnplate to show screw hole

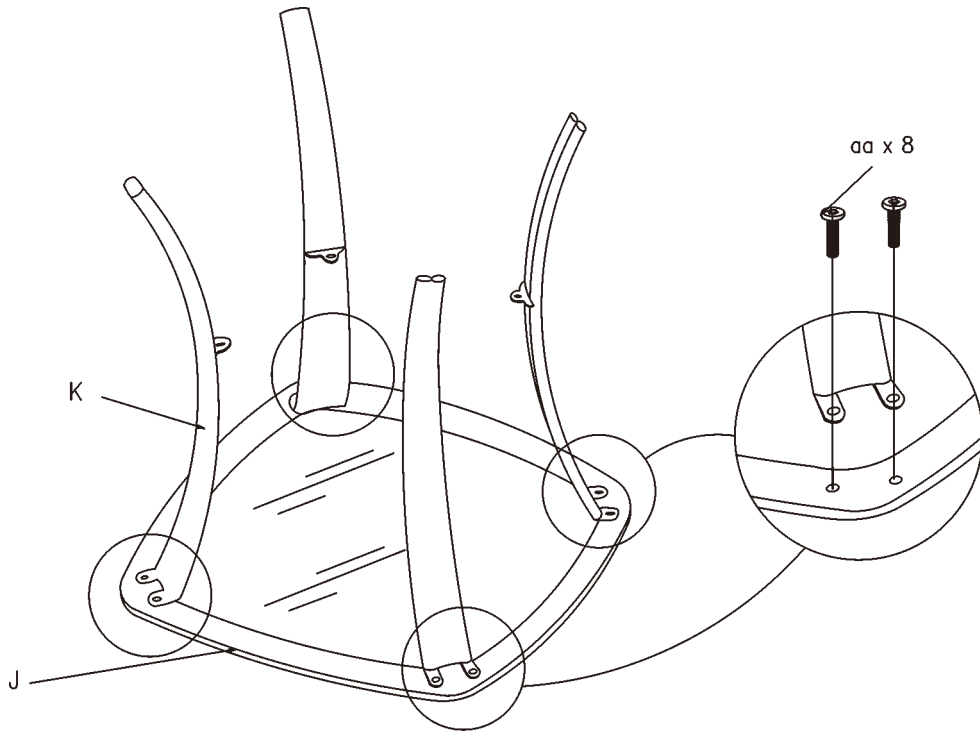


Step 7

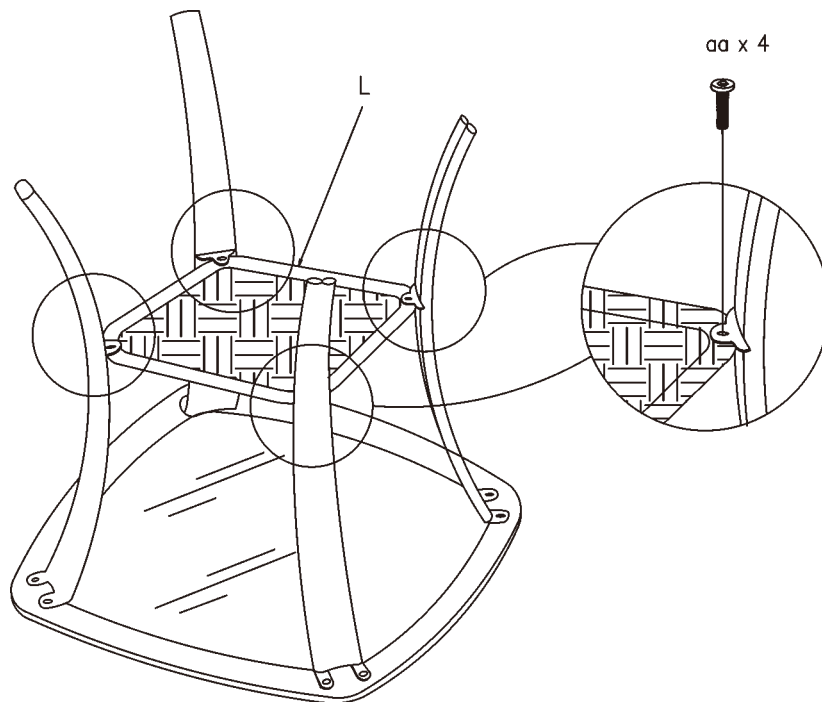


1. IDEALHOUSE is committed to providing customers with high-quality products and customer service. If you have any issues, please contact us anytime.
Customer Service Email-address: support@idealhouse.vip
2. Recommend to use waterproof furniture cover for entire patio sofa set when out of use to keep them longer performance.
3. Sofa cushion cover can be removable and clean up by cleaner when have stains.

Step 1



Step 2



1. IDEALHOUSE is committed to providing customers with high-quality products and customer service. If you have any issues, please contact us anytime.
Customer Service Email-address: support@idealhouse.vip
2. Recommend to use waterproof furniture cover for entire patio sofa set when out of use to keep them longer performance.
3. Sofa cushion cover can be removable and clean up by cleaner when have stains.

IDEALHOUSE

Dear customer, thank you for purchasing Idealhouse products! We are proud to present our customers with high quality products!



If you have any product quality or use problems, please contact our customer service by email, we will ensure your satisfaction.



If you are satisfied with our products, please share your amazing experience with us and other customers! It would be our honor to hear from you!



Customer service team: **support@idealhouse.vip**