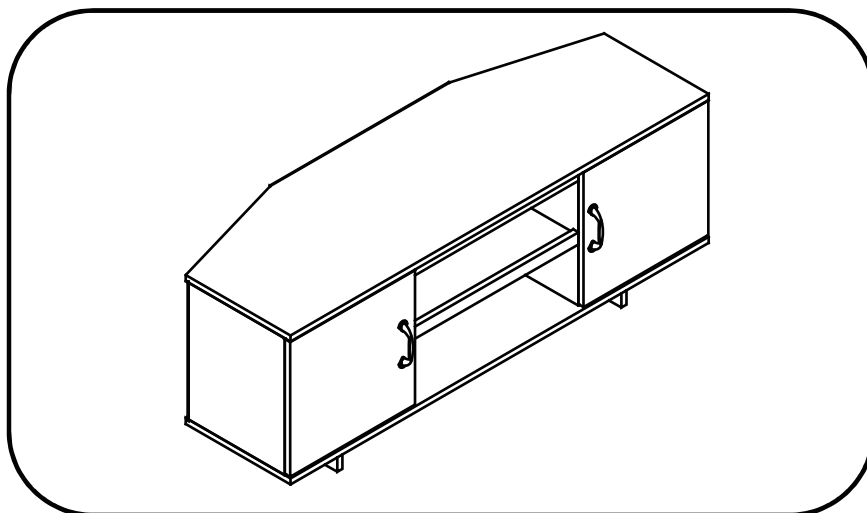


# Corner TV Stand



## Assembly Instructions

Product Dimensions:  
47.24"L×15.75"D×18.11"H

Please take a moment to read through the entire instruction booklet before assembly to familiarize yourself with this product. Once you feel ready to start, follow the instructions step by step and this should make this process as easy as we could make it for you.

# WARNING CAUTION

## ADULT ASSEMBLY REQUIRED

### CHOKING HAZARD

- This product includes small parts, sharp points and sharp edges in its unassembled state. Keep unassembled parts away from children under 3 years of age, and animals.

### SAFETY WARNINGS

- Follow the information on the warnings appearing on table and on the carton. Do not remove warning label from cabinet.
- Do not allow children under 3 years of age to use the cabinet.
- Do not use substitute parts. Contact the manufacturer or dealer for replacement parts.

### FURNITURE TIP-OVER HAZARD

#### Children have died from furniture tip-over

To reduce the risk of furniture tip-over:

- ALWAYS install tip-over restraint especially if used by a wall or in the open.
- NEVER put a TV on this product
- NEVER allow children to stand, climb or hang on drawers, doors, or shelves.
- NEVER open more than one drawer at a time.
- ALWAYS place heaviest items in lowest cabinet.

### PARENTAL SUPERVISION IS REQUIRED

- Parents or Guardians should supervise use under the intended age specifically regarding children that may have access to it and climb on the unit.
- Do not allow horseplay on, under, or behind the unit and prohibit jumping on the cabinet.
- If used improperly, your table may be pulled over or fall, creating risk of injury or damage. Children should not be permitted to climb or pull on the cabinet.

### USE, MAINTENANCE & ASSEMBLY

- Periodically check and ensure that the components are in their proper position, free from damage, and that all connectors are tight.
- Use on level surfaces only. Assemble on a soft level surface to avoid damage to unit or floor.
- Do not use this item if any components are missing or damaged.
- Do not use substitute parts. Contact the manufacturer or dealer for replacement parts.
- Only clean using damp cloth and mild detergent, do not use bleach or abrasive cleaners.
- Check you have all components and tools listed on page 4
- Do not stand or put weight on this product during assembly, this could cause damage.
- Remove all hardware from the plastic bags and separate them into groups.
- Assemble the item as close to its final position (in the same room) as possible.
- Certain assembly steps may be easier with 2 people.
- Dispose of all packaging carefully and responsibly.
- We do not recommend power screwdrivers. Only use hand screwdrivers to prevent damage to unit.
- Keep these instructions for future reference.

#### Enfants morts suite au basculement d'un meuble.

Afin de limiter le risque de basculement de meuble:

- TOUJOURS utiliser les fixations anti-basculement.
- NE JAMAIS installer de TV sur ce produit.
- NE JAMAIS laisser d'enfants se tenir debout sur les tiroirs, portes ou étagères, y grimper ou s'y suspendre.
- NE JAMAIS ouvrir plus d'un tiroir à la fois.
- TOUJOURS placer les choses les plus lourdes dans les tiroirs du bas.

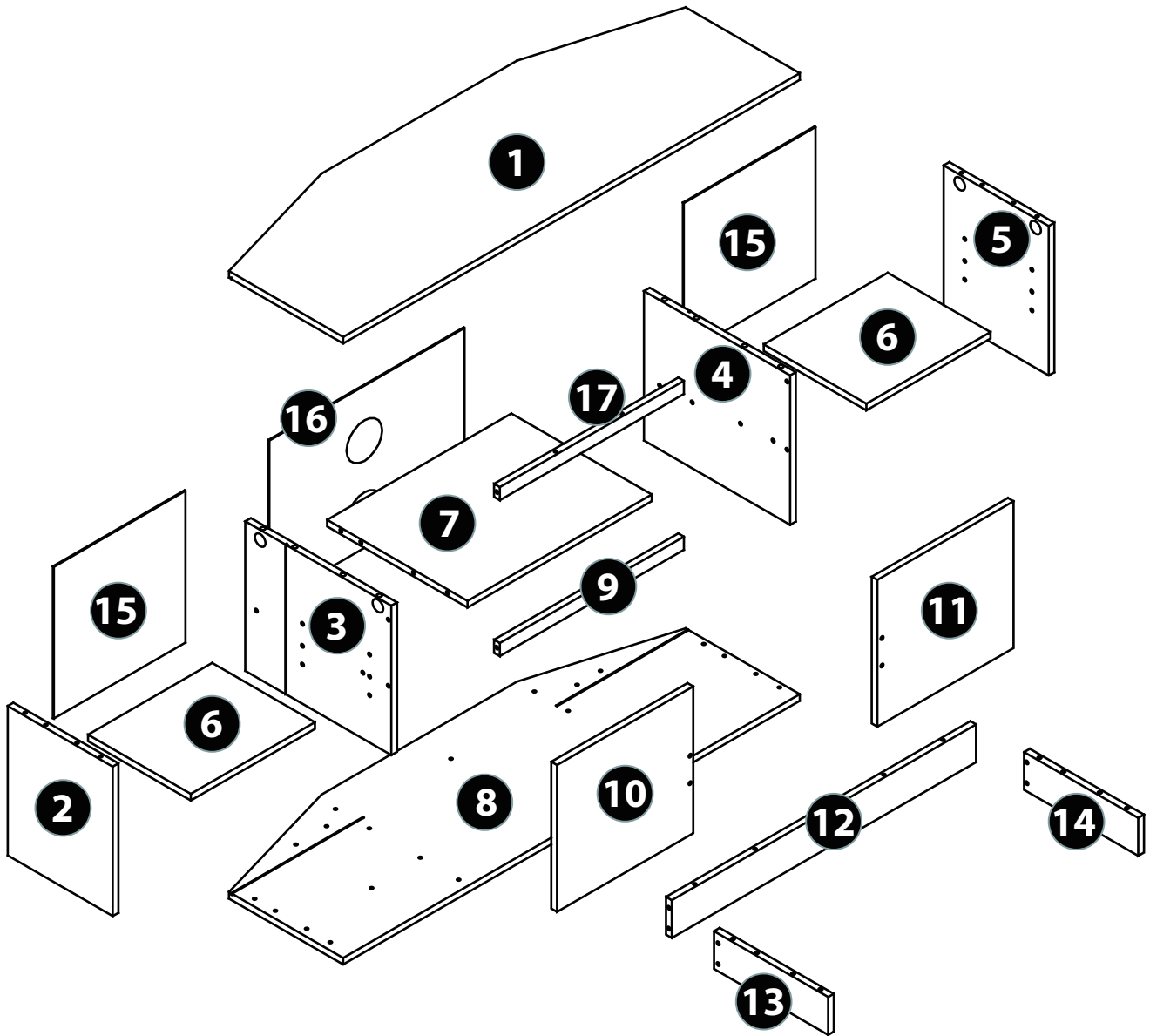
#### Han muerto niños por el vuelco de muebles.

Para limitar el riesgo de vuelco de los muebles:

- Utilizar SIEMPRE las fijaciones antivuelco que suministran.
- NUNCA instalar un TV sobre este producto.
- NUNCA permitir que los niños se pongan de pie, trepen o se cuelguen de los cajones, puertas o baldas.
- NUNCA abrir más de un cajón a la vez.
- Colocar los objetos más pesados en los cajones inferiores.

# ASSEMBLY AT A GLANCE

Please take a moment to read through the whole instruction booklet before assembly to familiarize yourself with this product. Once you feel ready to start, follow the instructions step by step and this should make this process as easy as we could make it for you.

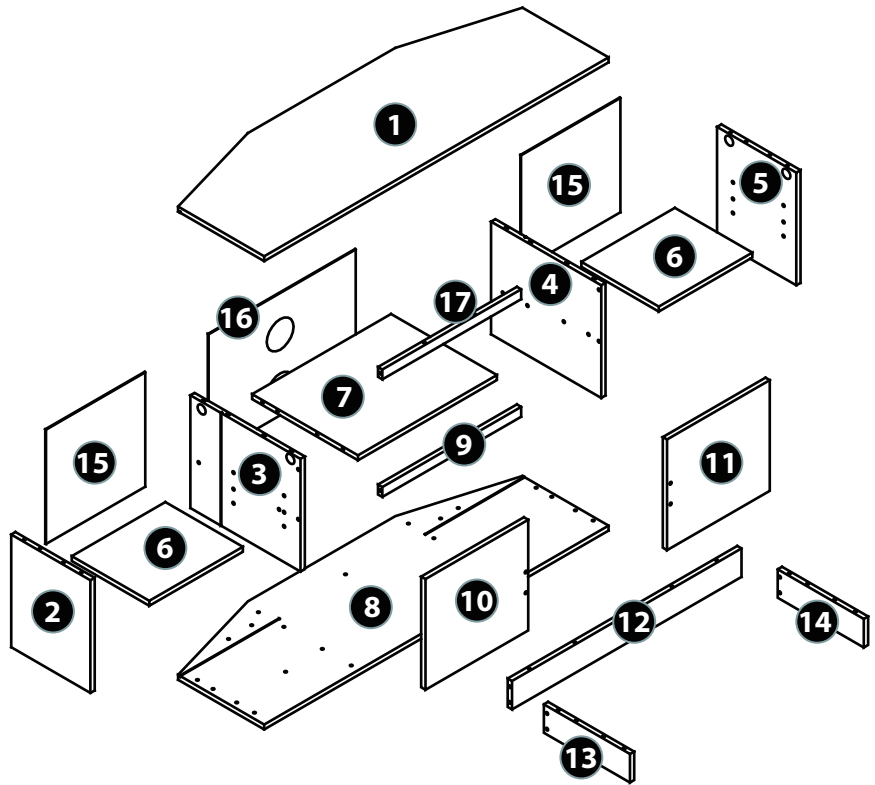


This drawing is to give you an overall idea only of how this assembly will go together and does not replace the assembly instructions.

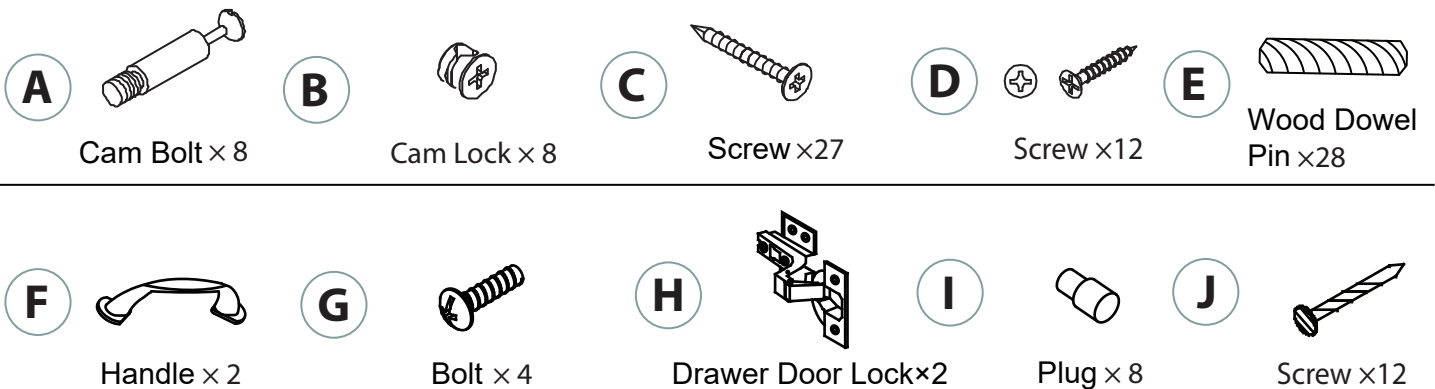
# COMPONENT PARTS

Please check that you have all the parts listed below

1. Top Panel x1
2. Left Side Panel x1
3. Left Support Side Panel x1
4. Right Support Side Panel x1
5. Right Side Panel x1
6. Drawer Panel x2
7. Middle Panel x1
8. Bottom Panel x1
9. Drawer Middle Front Panel x1
10. Drawer Left Door x1
11. Drawer Right Door x1
12. Drawer Slide x1
13. Drawer Left x1
14. Drawer Right x1
15. Right Back Panel x1
16. Middle Back Panel x1
17. Drawer Top Panel x1



## ASSEMBLY HARDWARE



### Tools Required



Phillips Screwdriver  
(Medium) (not included)

**\*Do Not Use Power  
Screwdriver or Drill.**

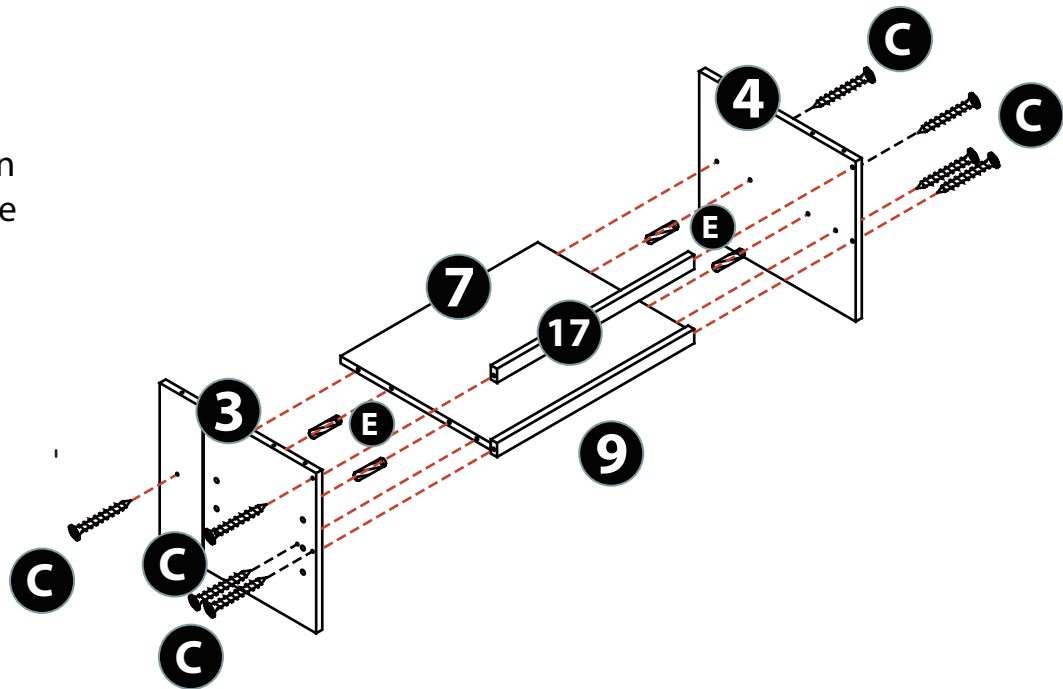


Hex Screwdriver  
(included)

# ASSEMBLY INSTRUCTIONS

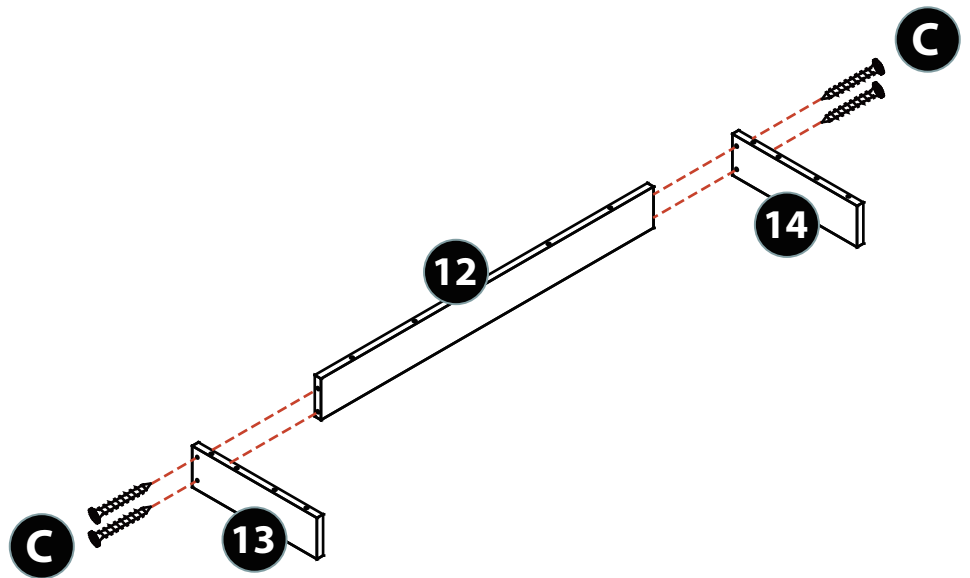
1

Select Cx8, Ex4, and 3x1, 4x1, 7x1, 9x1, 17x1. Position 3 in the left, position 4 in the right. Insert 3 into the 7, 17 and 9 with the Cx4, E x2. Repeat the same steps for the 4.



2

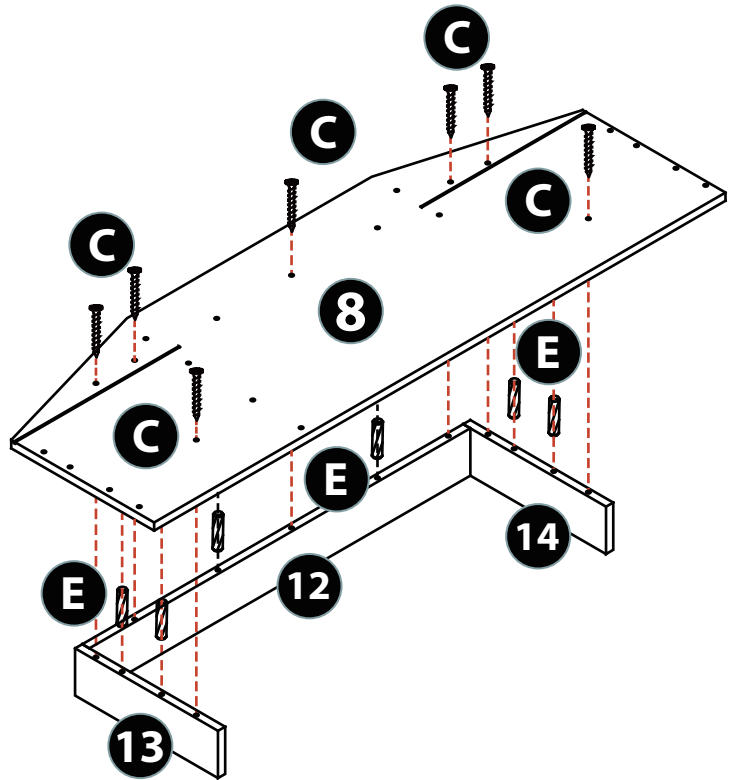
Select Cx4, 12x1, 13x1, and 14x1. Insert the 13 into the 12 with the Cx2. Repeat the steps for the 14.



# ASSEMBLY INSTRUCTIONS

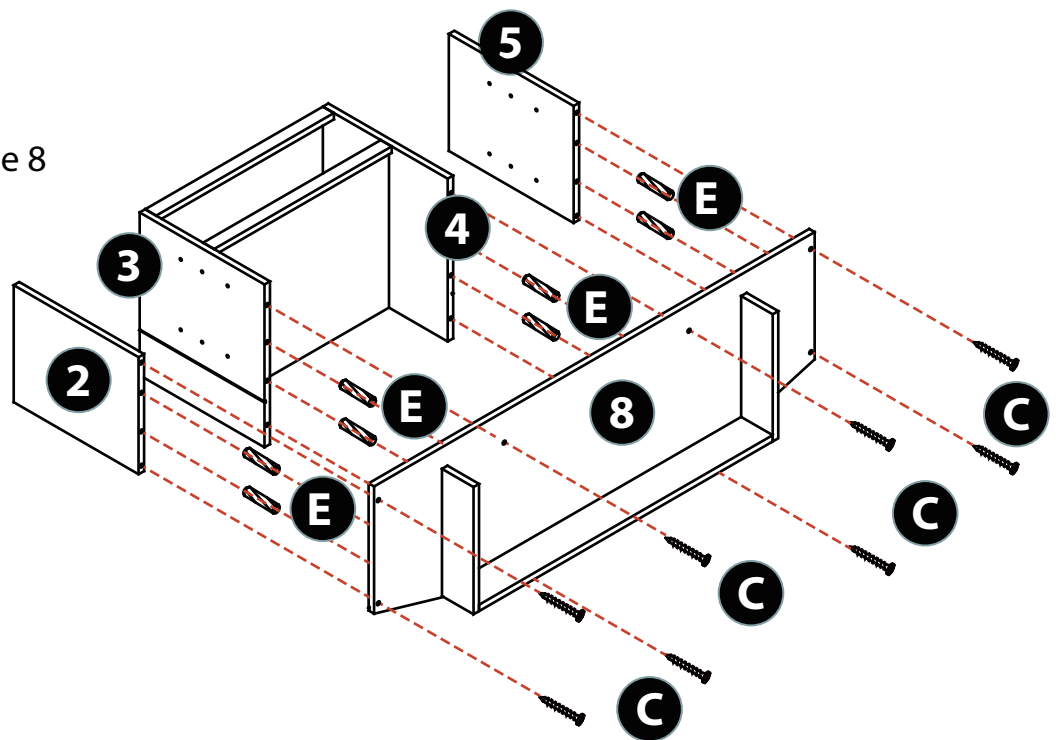
3

Select Cx7, Ex6, and 8x1, 12x1, 13x1, 14x1. Insert 8x1 into the 12, 13, 14 with the Cx7 and Ex6.



4

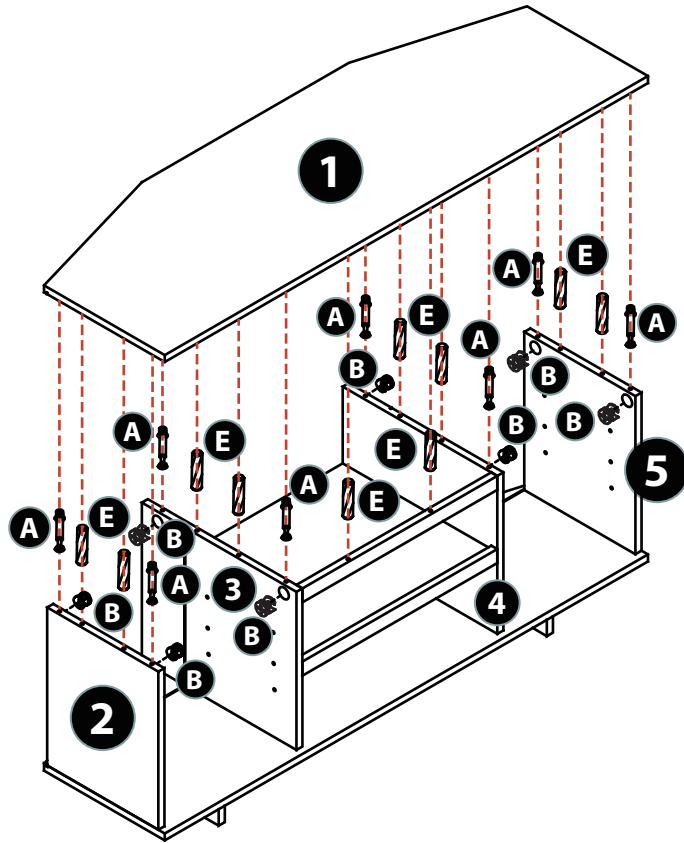
Select Cx8, Ex8, 2x1, 3x1, 4x1, 5x1 and 8x1. Insert the 8 into the 2, 3, 4 and 5 with Ex8, Cx8.



# ASSEMBLY INSTRUCTIONS

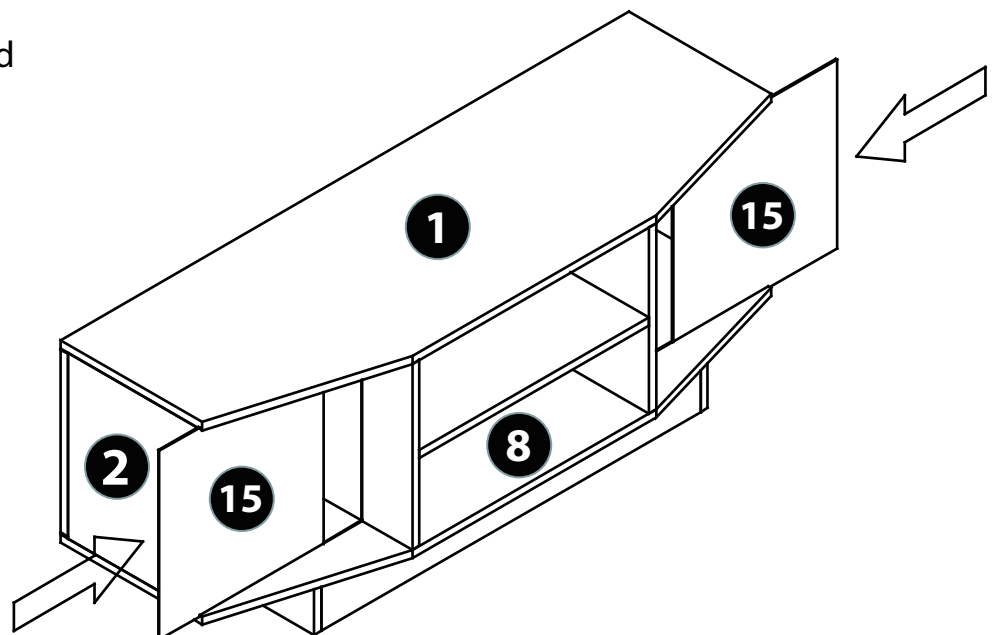
5

Select A×8, B×8, and E×8, 1×1. Insert A×2, E×2 into the top of the 2. Repeat the steps for the 3, 4 and 5. Insert the B×2 into the 2. Repeat for the 3, 4 and 5. Install the 1 into the 2, 3, 4 and 5 with the A×8 and E×8.



6

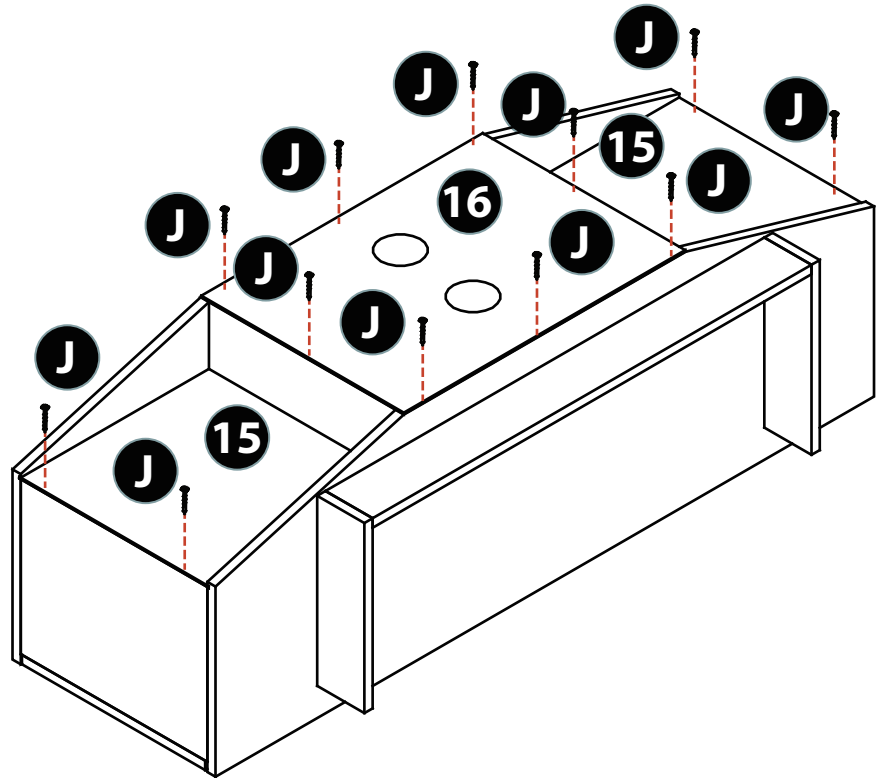
Install the 15 into the 1, 2 and 8. Repeat for the other 15.



# ASSEMBLY INSTRUCTIONS

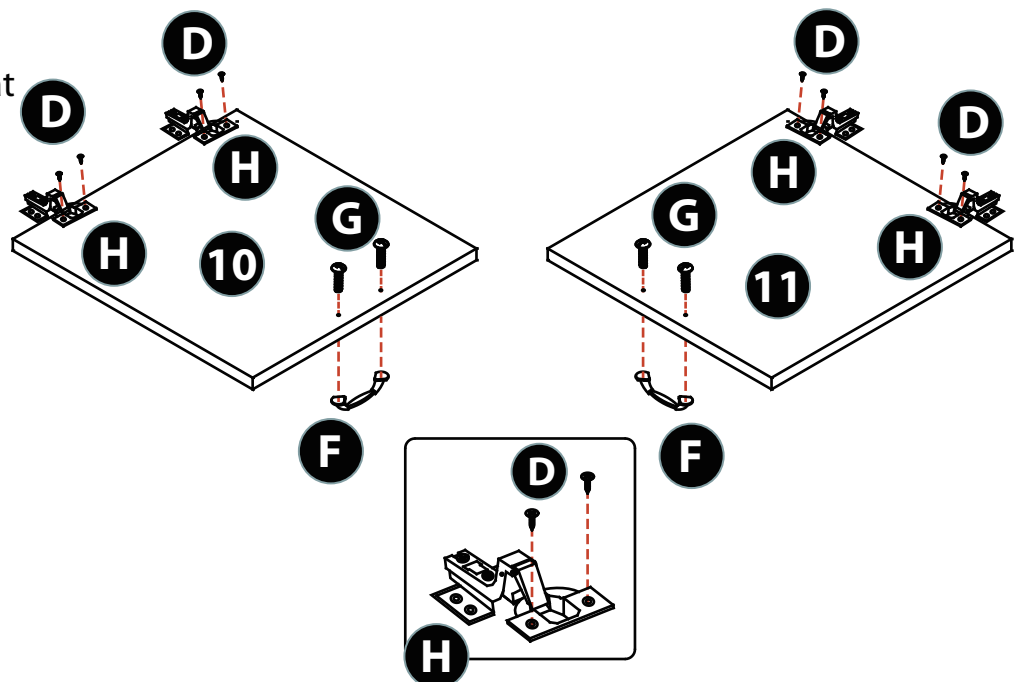
7

Select Jx12. Insert Jx12 into the 15x2 and 16x1.



8

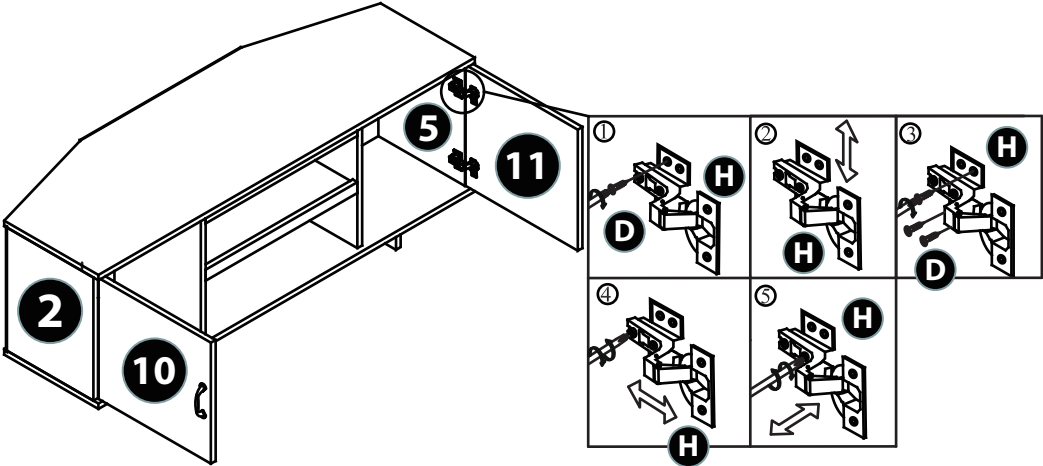
Insert the Dx4 into the Hx2 into the 10. Insert the Gx2 into the 10 into the F. Repeat for the 11.



# ASSEMBLY INSTRUCTIONS

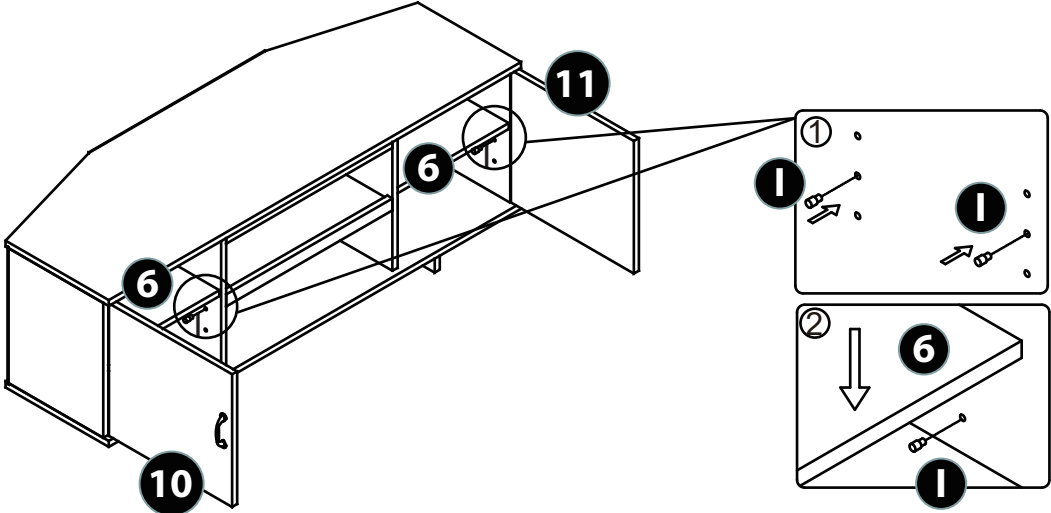
9

Install the Hx2 between the 5 and the 11. Repeat for the 2 and 10.

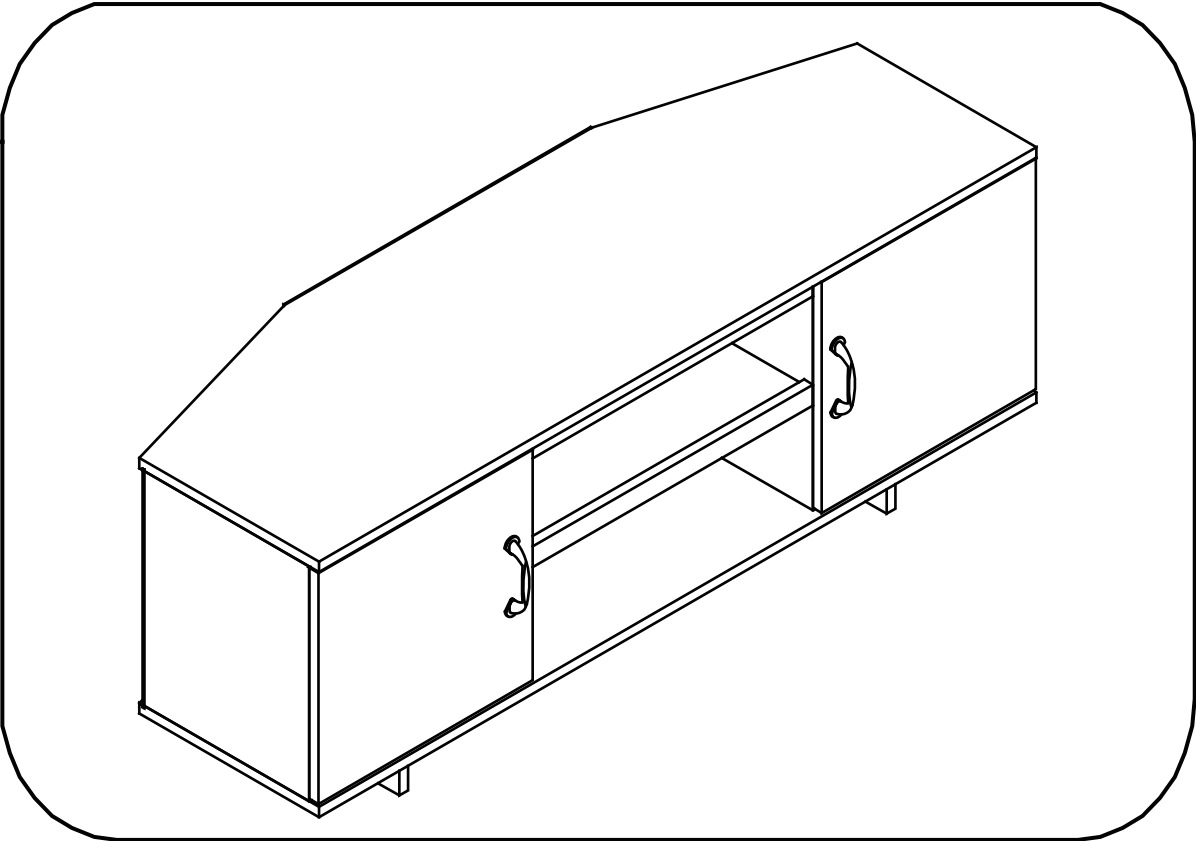


10

Install the 6 into the Left Drawer. Repeat for the other 6.



**ASSEMBLY COMPLETE**



**CONGRATULATIONS, YOUR  
CORNER TV STAND IS COMPLETE!**