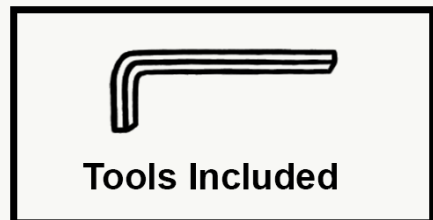
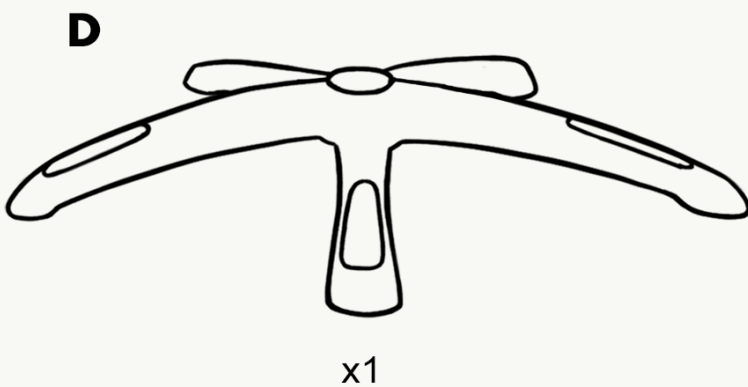
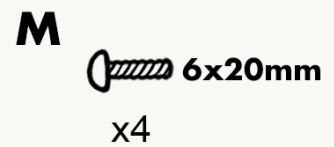
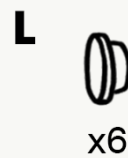
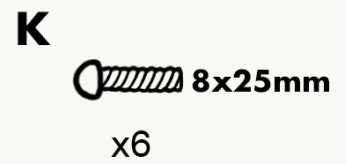
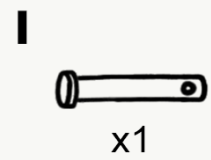
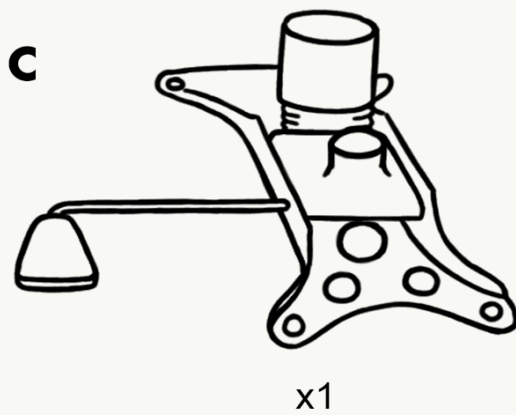
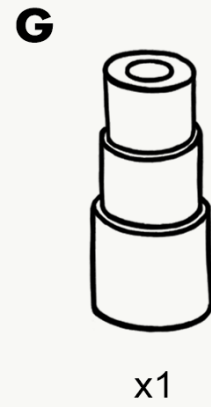
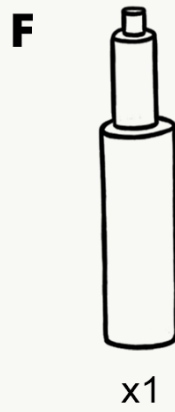
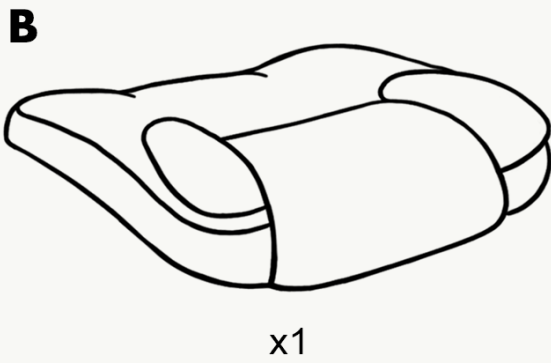
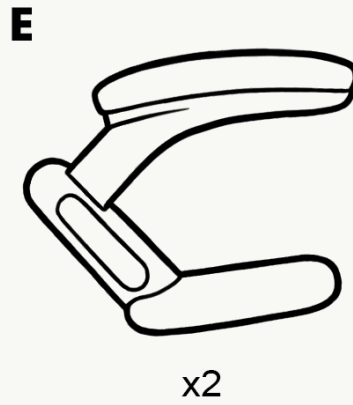
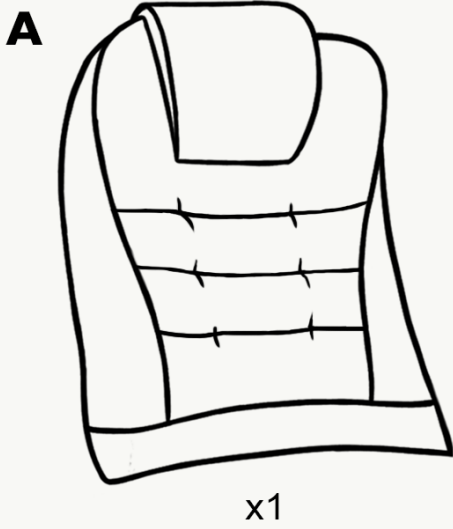


INSTRUCTION MANUAL



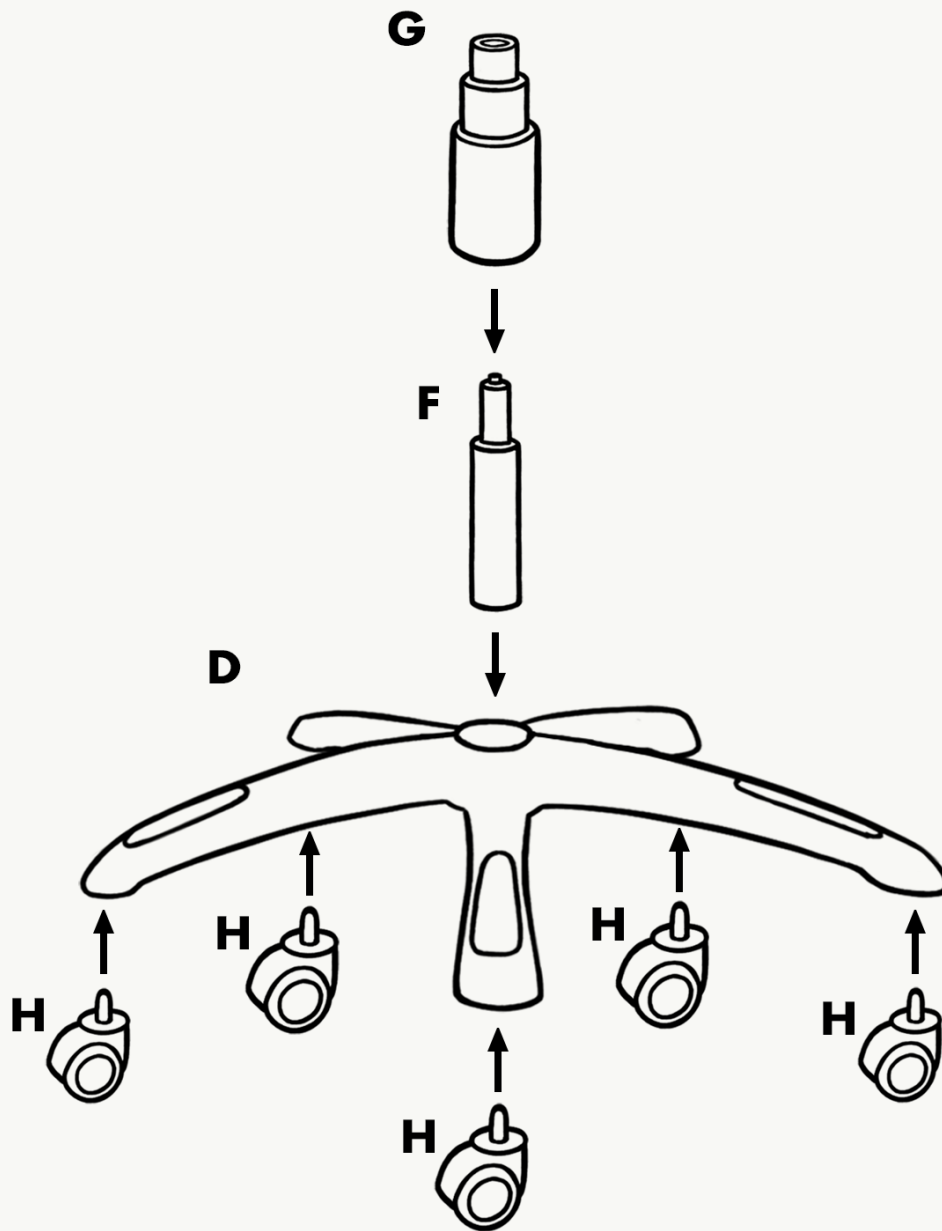
Instructions side 1

2 people recommended
for assembly



1

Insert* gas lift (F) into star base (D) and cover with telescopic cover (G). Pop wheels (H) into sockets in D



*No adhesive required. The gas lift will become secure in the star base when the seat is attached and sat on.

Parts needed in step 1:

Star base (D) x1

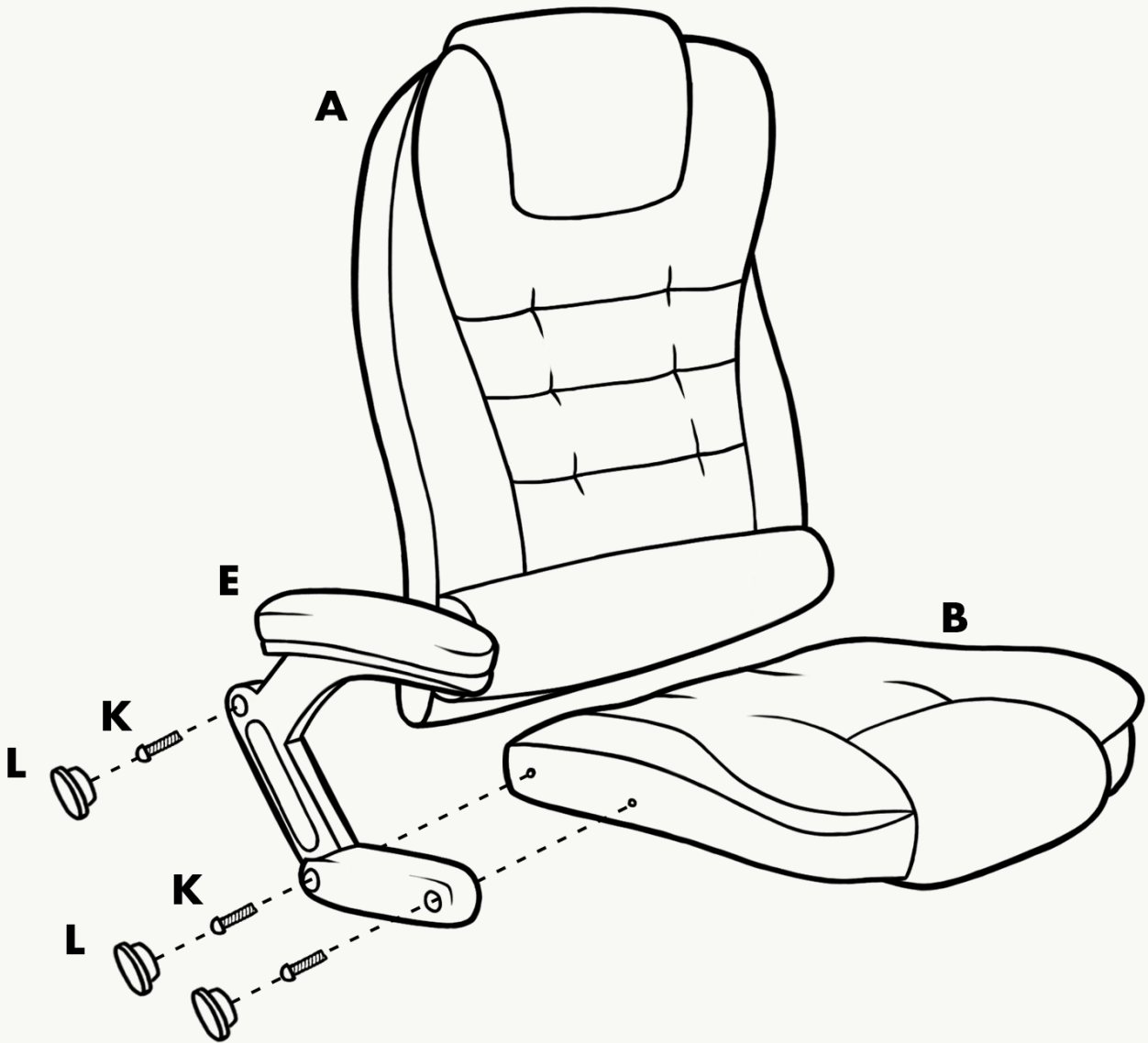
Gas lift (F) x1

Telescopic cover (G) x1

Wheels (H) x5

Instructions side 2

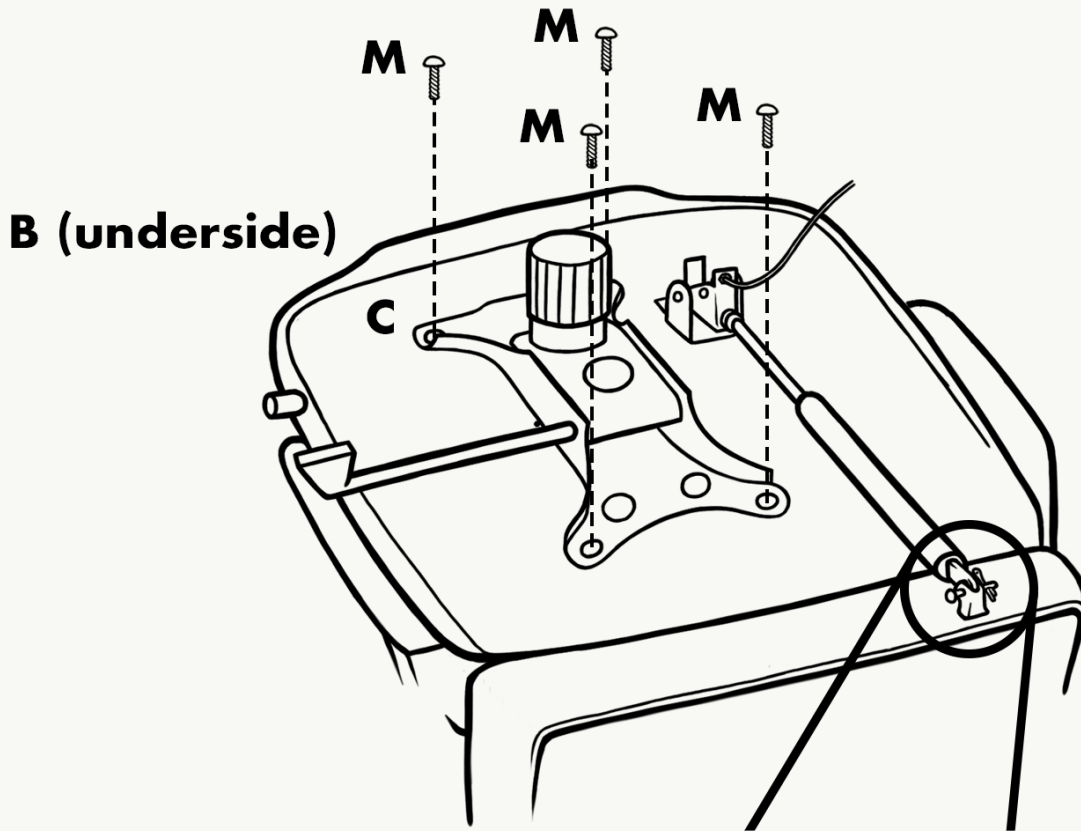
- 2** Screw armrests (E) halfway onto chair back (A) and seat (B). Tighten fully once all screws are in. Then attach screw covers (L)



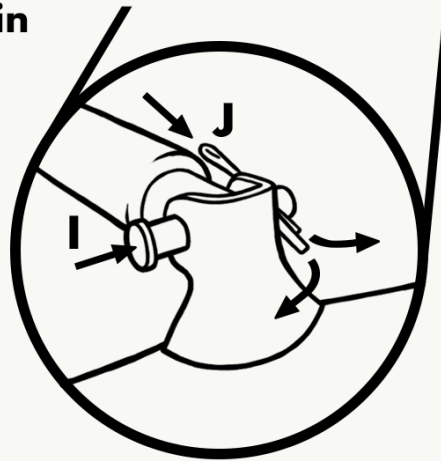
Parts needed in step 2:

Chair back (A)	x1	Screws (K)	x6
Chair seat (B)	x1	Screw covers (L)	x6
Armrests (E)	x2		

3 Screw metal plate (C) onto bottom of seat (B)



4 Insert rod (I) through the holes in recline piston and back support. Then insert split pin (J) through hole in I and open split pin



Parts needed in step 3:

Completed step 2	x1
Metal base (C)	x1
Screws (M)	x4

Parts needed in step 4:

Rod (I)	x1
Split pin (J)	x1

Instructions side 3

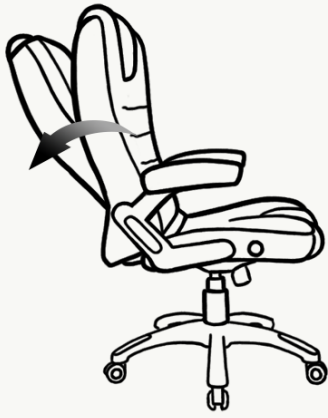
- 5** Insert top of gas lift (F) into hole in metal plate (C)



Parts needed in step 5:

Completed step 1 x1

Completed step 4 x1



Recline function

Make sure the lever is pushed in.
Push the button in and lean back firmly



Height adjustment

To raise and lower the seat, lift the lever.



Tilt function

Pull the lever out and lean back



Note: screws may loosen over time and so should be tightened every 3–6 months.

Dimensions ($\pm 3\text{cm}$)

Back height: 75cm

Seat width: 55cm

Seat depth: 53cm

Seat height: 45~55cm

Armrest height: 67~77cm

Armrest length: 27cm

Weight limit: 120kg