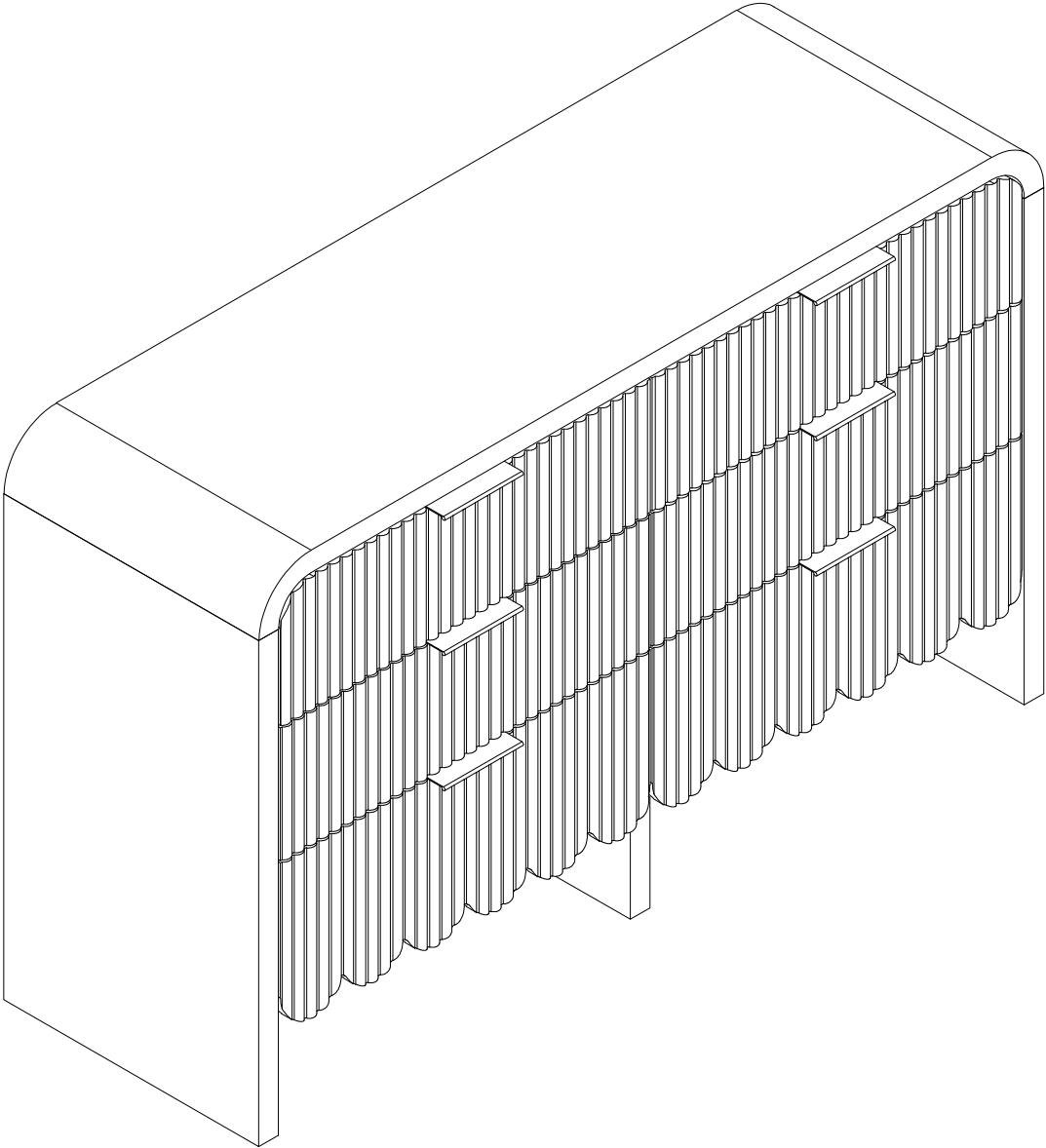


Installation Instruction



Product name

6Drawer Cabinet

Ver.1.0 20250625

Friendly Reminder:

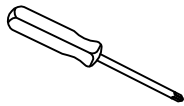
Assembling with damaged panels may affect after-sales service. Please check the integrity of all panels before assembly. If any damage is found:

- ✓ Take photos of the damaged area from multiple angles (preferably under natural light)
- ✓ Keep all packaging materials
- ✓ Do not assemble the product and contact online customer service immediately

Assembling

What you need

- Use the packaging carton as a working surface to prevent product damage during assembly
- Phillips head screwdriver



Weight Limitation



50



22



11

lbs table top lbs per sheif lbs per drawer



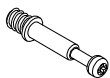
2 PERSONS

What ' s included

Code	Description	Qty
A	Cam Bolt Ø6X35mm	66
B	Cam Lock Ø15X10mm	66
C	Wooden Dowel Ø6X30mm	30
D	Screw M4X35mm	34
E	Screw M3X12mm	84
F	Slideway	6
G	Handle	6
H	Screw M3X16mm	8
I	Plastic Corner Support	8
J	Lock wall anti-reverse tape	2
K	EVA Leg Pad	6

The hardwares

(A)



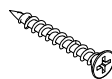
(B)



(C)



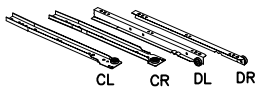
(D)



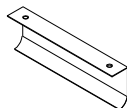
(E)



(F)



(G)



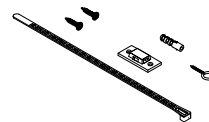
(H)



(I)



(J)



(K)



IMPORTANT:

1. Do not tighten bolts / screws completely until all bolts / screws are lined up and inserted into holes.
2. Do not over tighten screws and bolts to avoid stripping.
3. Please use hand tools to assemble this product. Do not use power tools.
4. Must need 2 people to assemble this product.

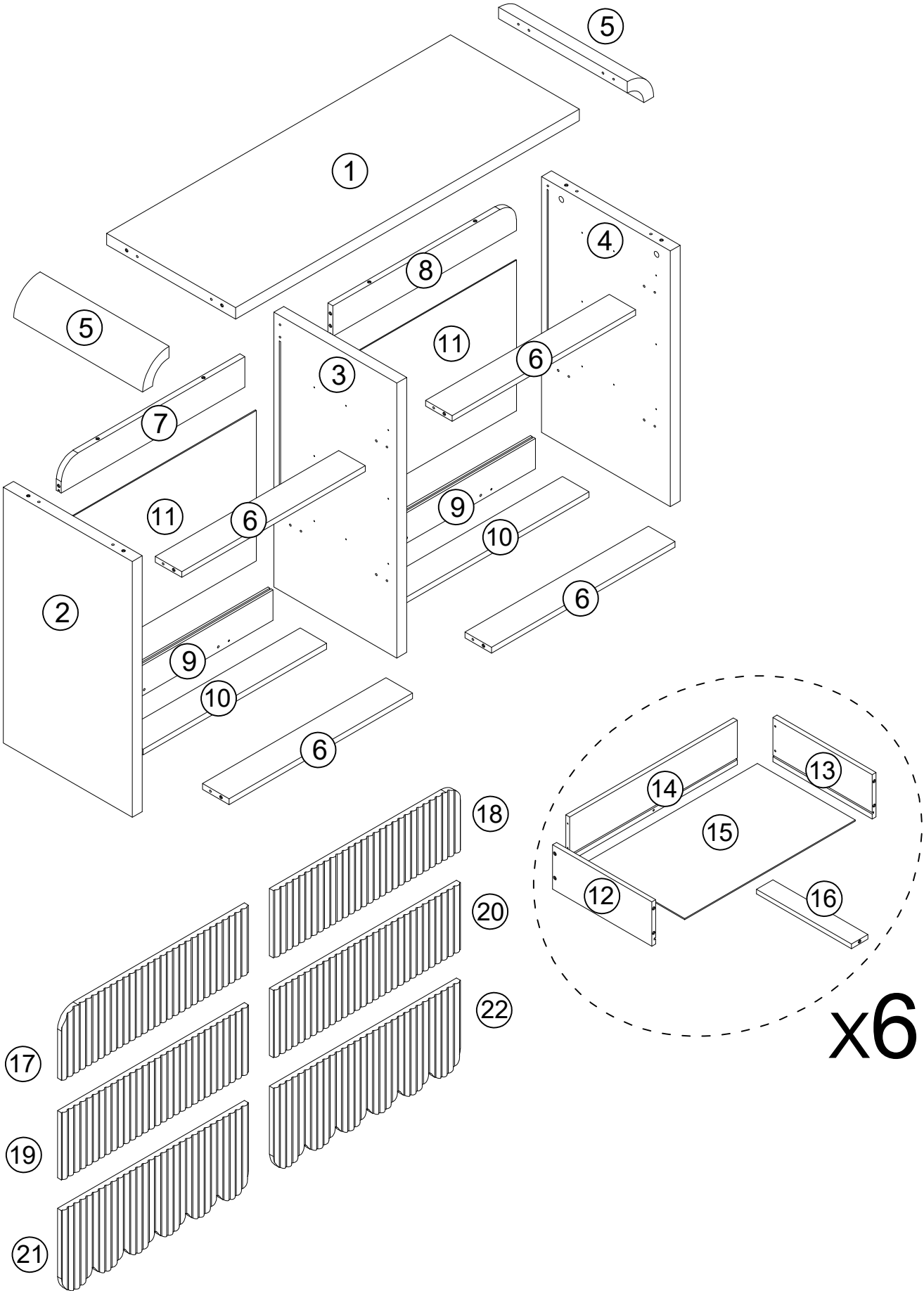


2 PERSONS


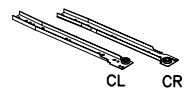
Included Accessories

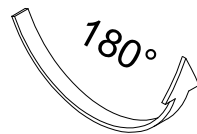
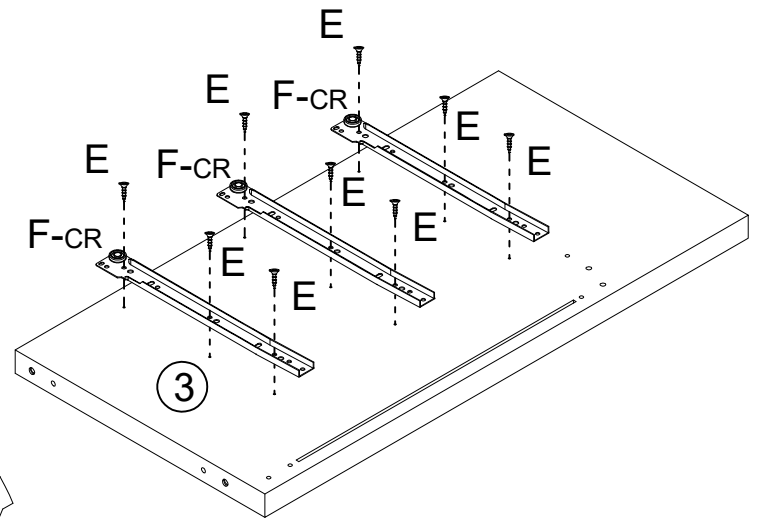
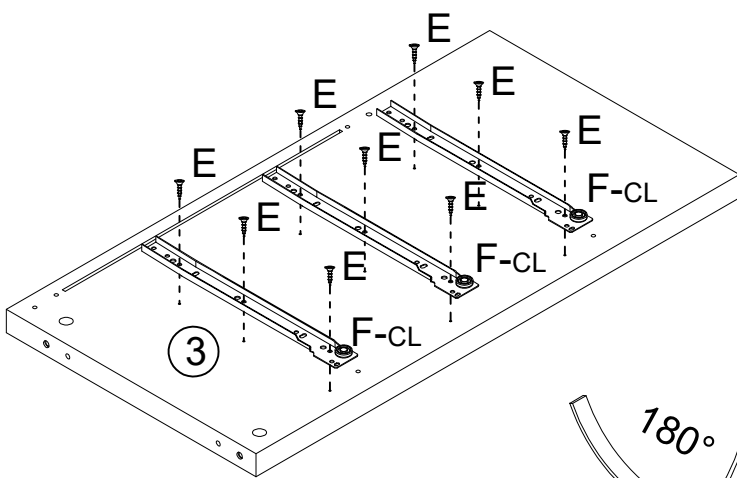
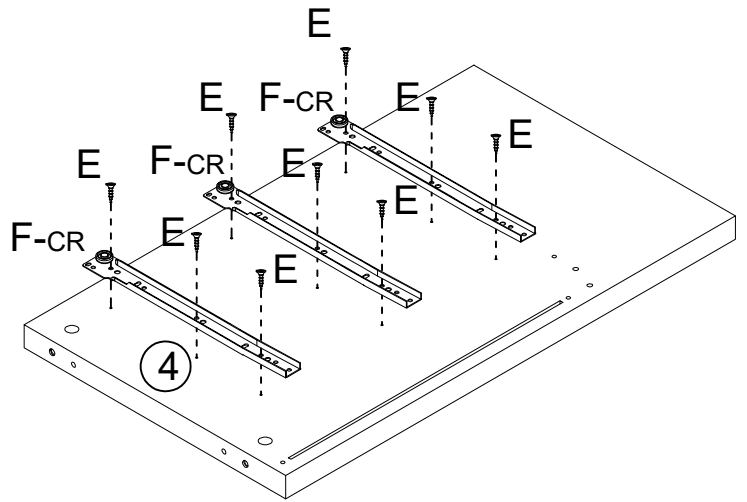
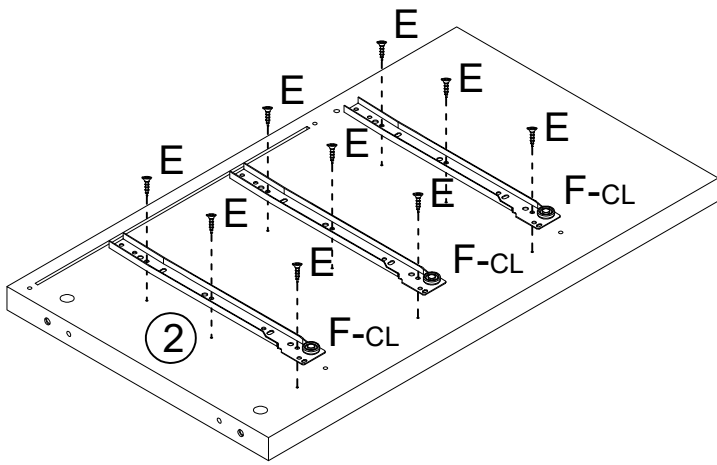
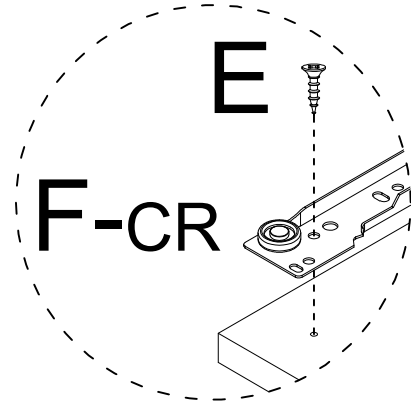
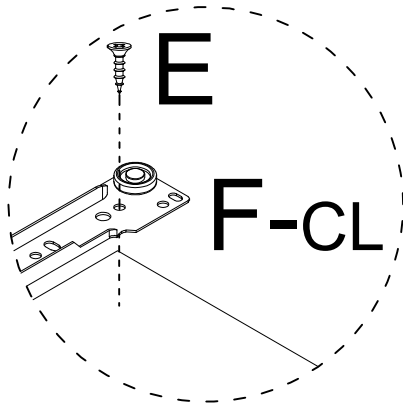
Code	Description	Qty
1	Cabinet Top	1
2	Left side panel	1
3	Center vertical panel	1
4	Right side panel	1
5	Corner Strip	2
6	Drawer Support Bar	4
7	Left rear horizontal strip	1
8	Right rear horizontal strip	1
9	Bottom Back Support Bar	2
10	Bottom Back strip	2
11	BackPanel	2
12	Left drawer side panel	6
13	Right drawer side panel	6
14	Drawer back panel	6
15	Drawer bottom panel	6
16	Drawer inner fixing strip	6
17	Drawer front panel	1
18	Drawer front panel	1
19	Drawer front panel	1
20	Drawer front panel	1
21	Drawer front panel	1
22	Drawer front panel	1

The Accessories

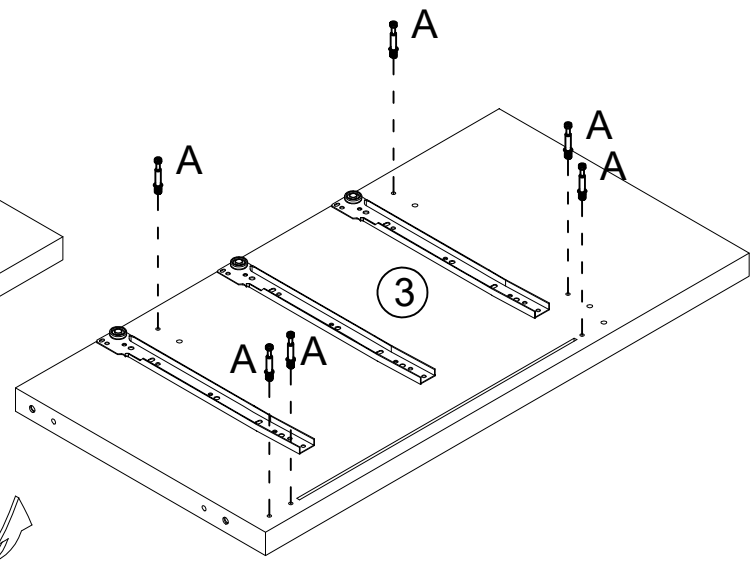
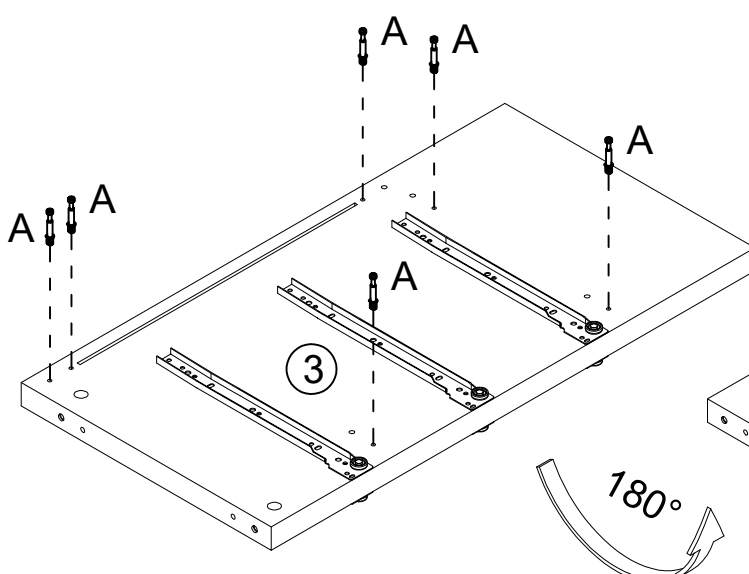
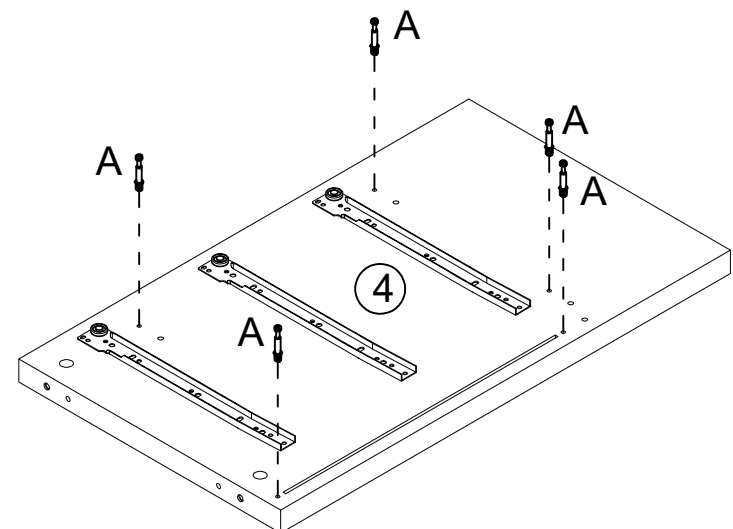
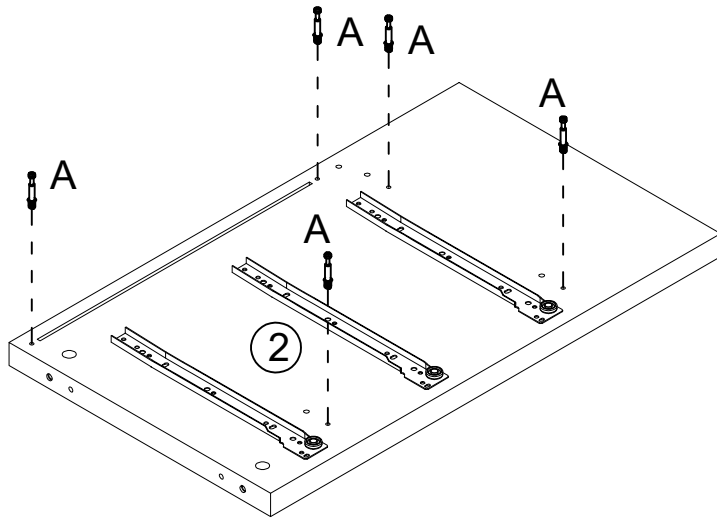
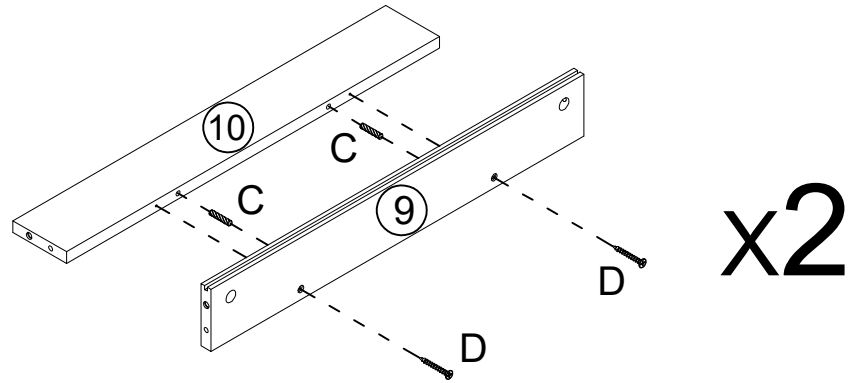
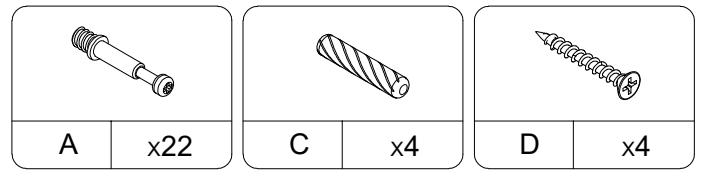


Step 1

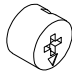

			
E	x36	F	x6

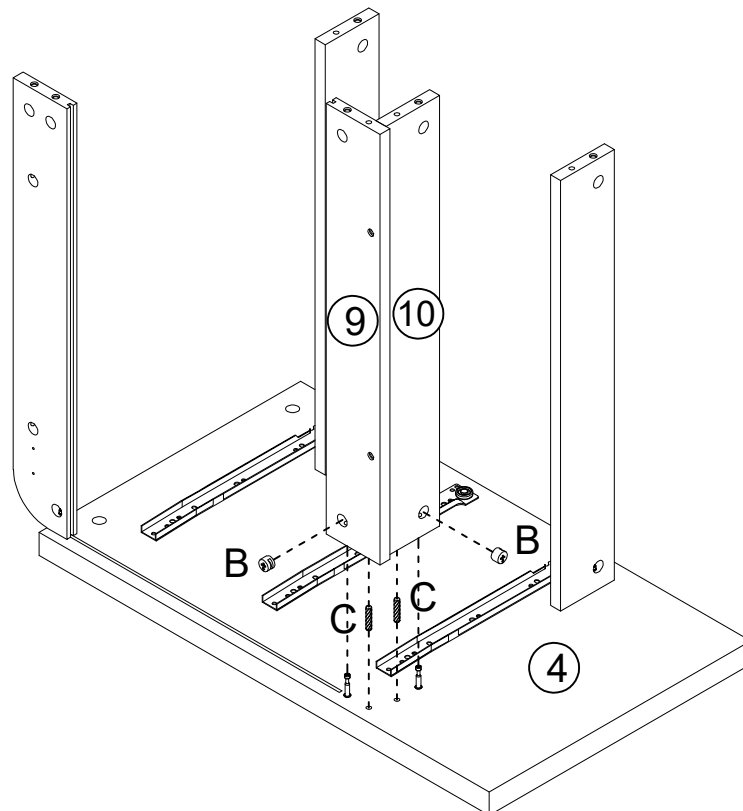
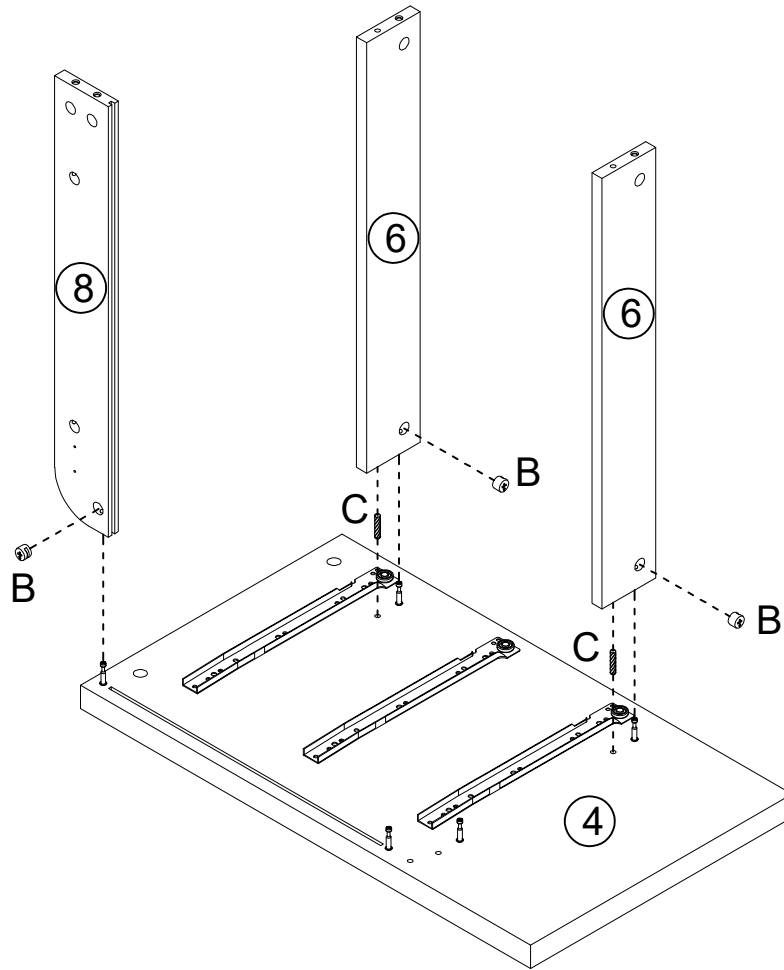


Step 2

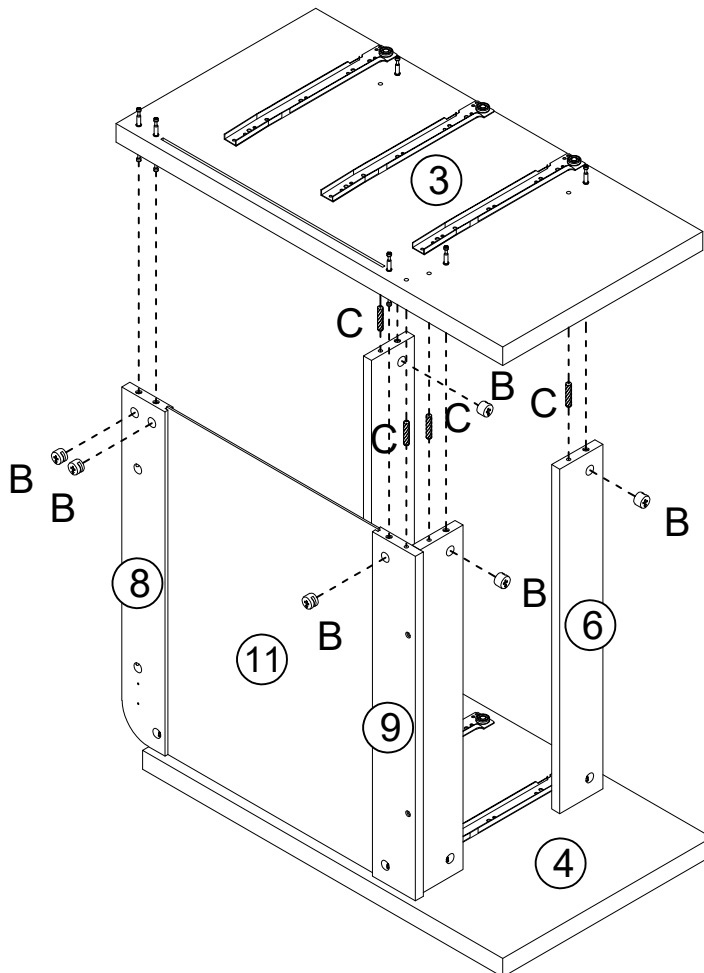
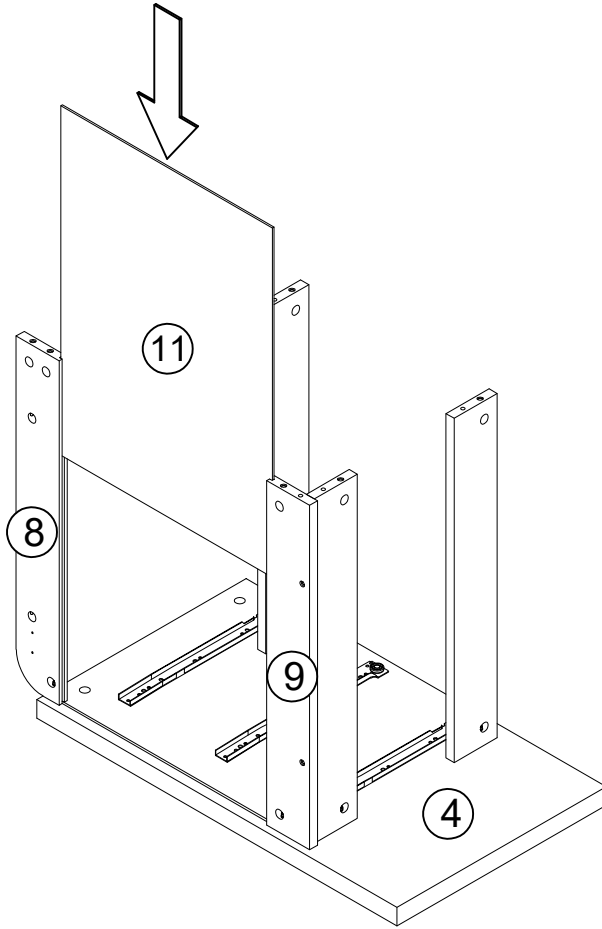
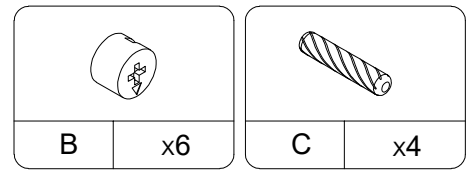


Step 3

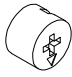

	
B	x5
C	x4

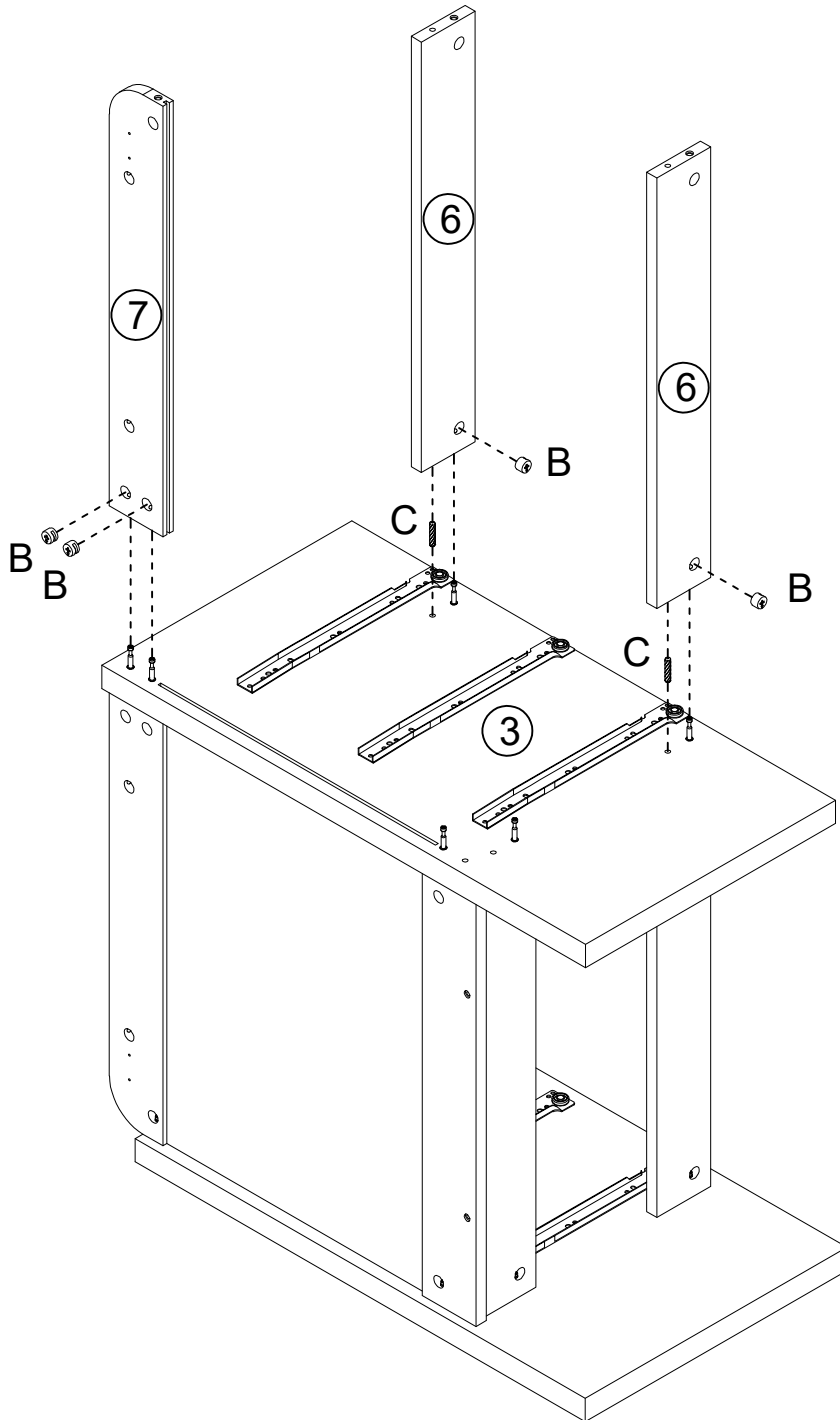


Step 4

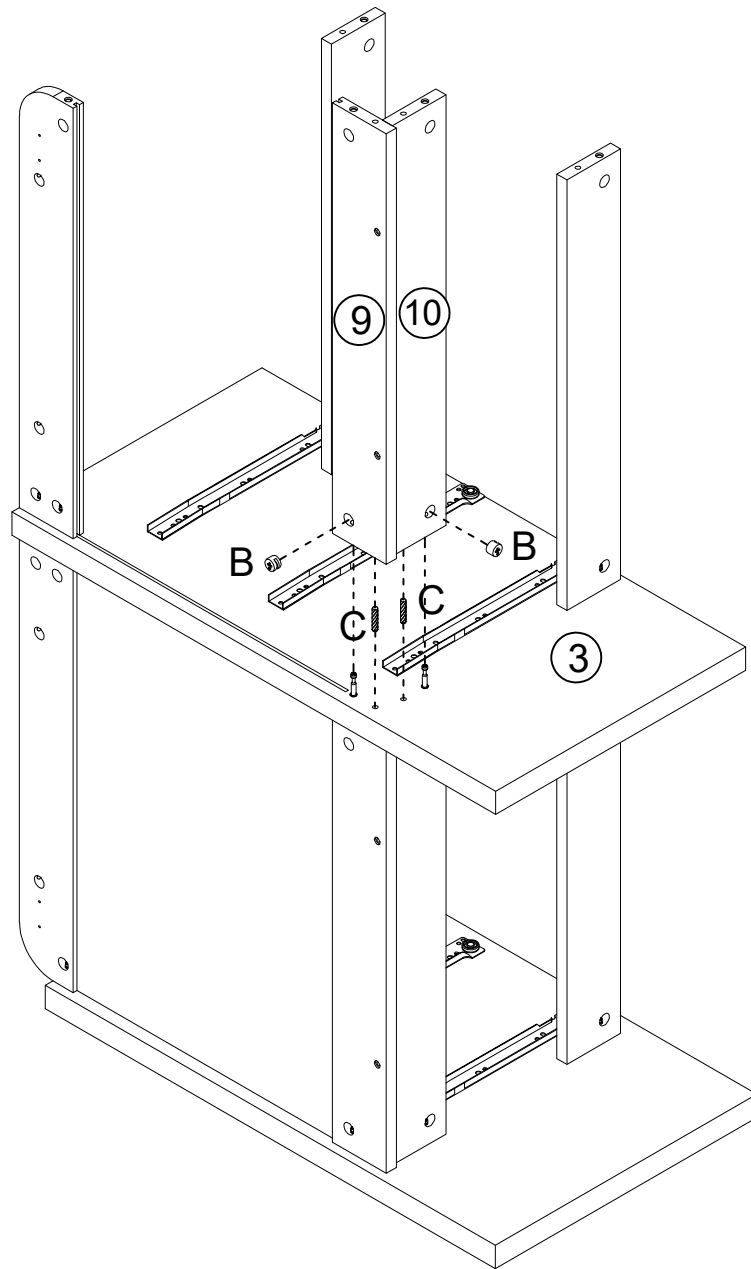
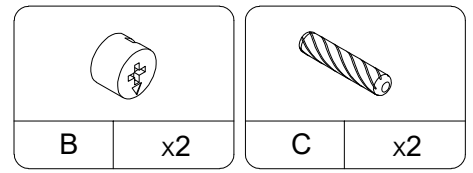


Step 5

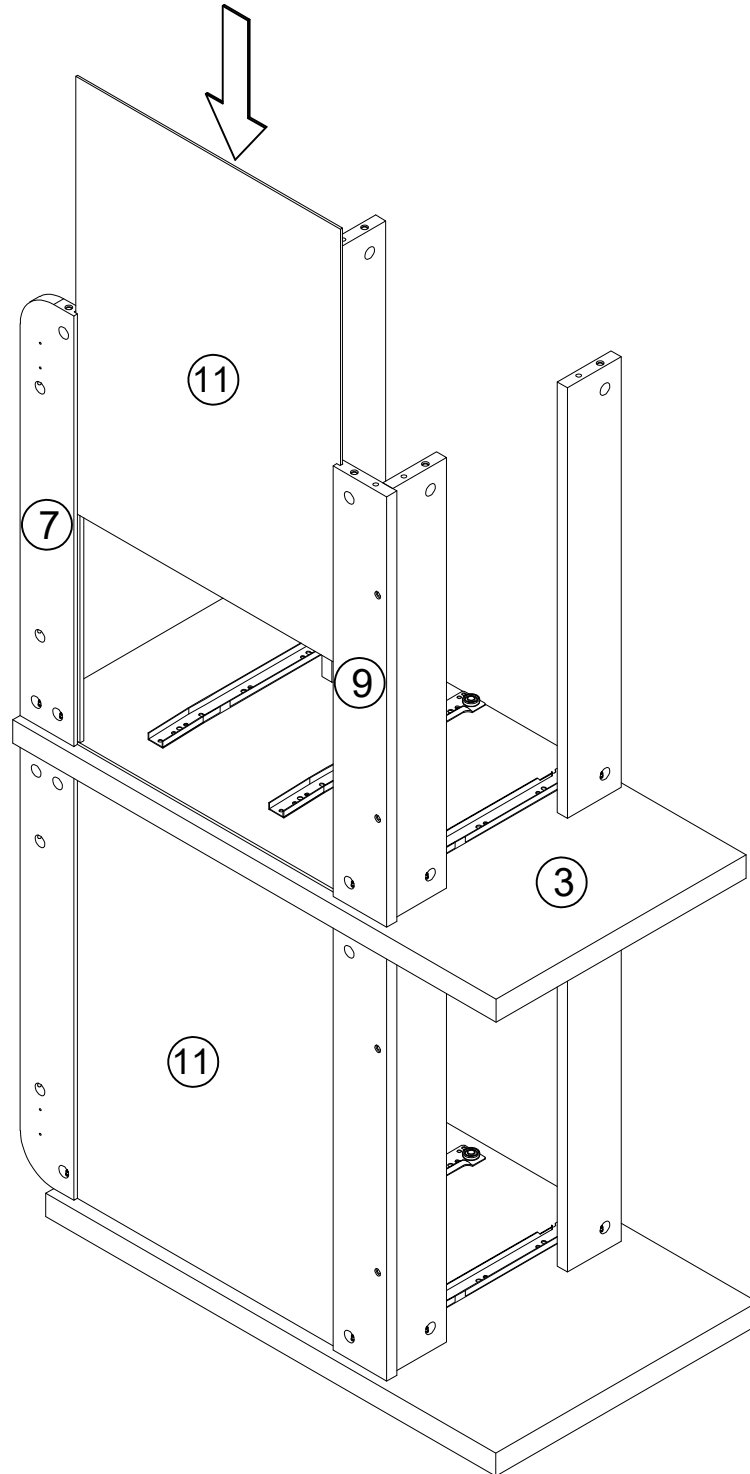
	
B	x4
C	x2



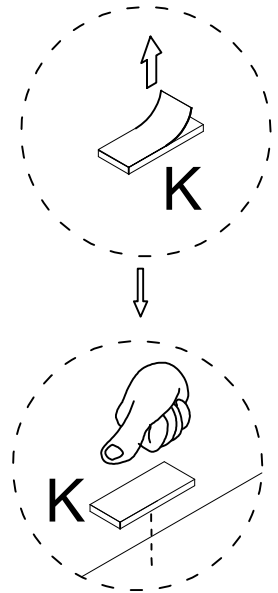
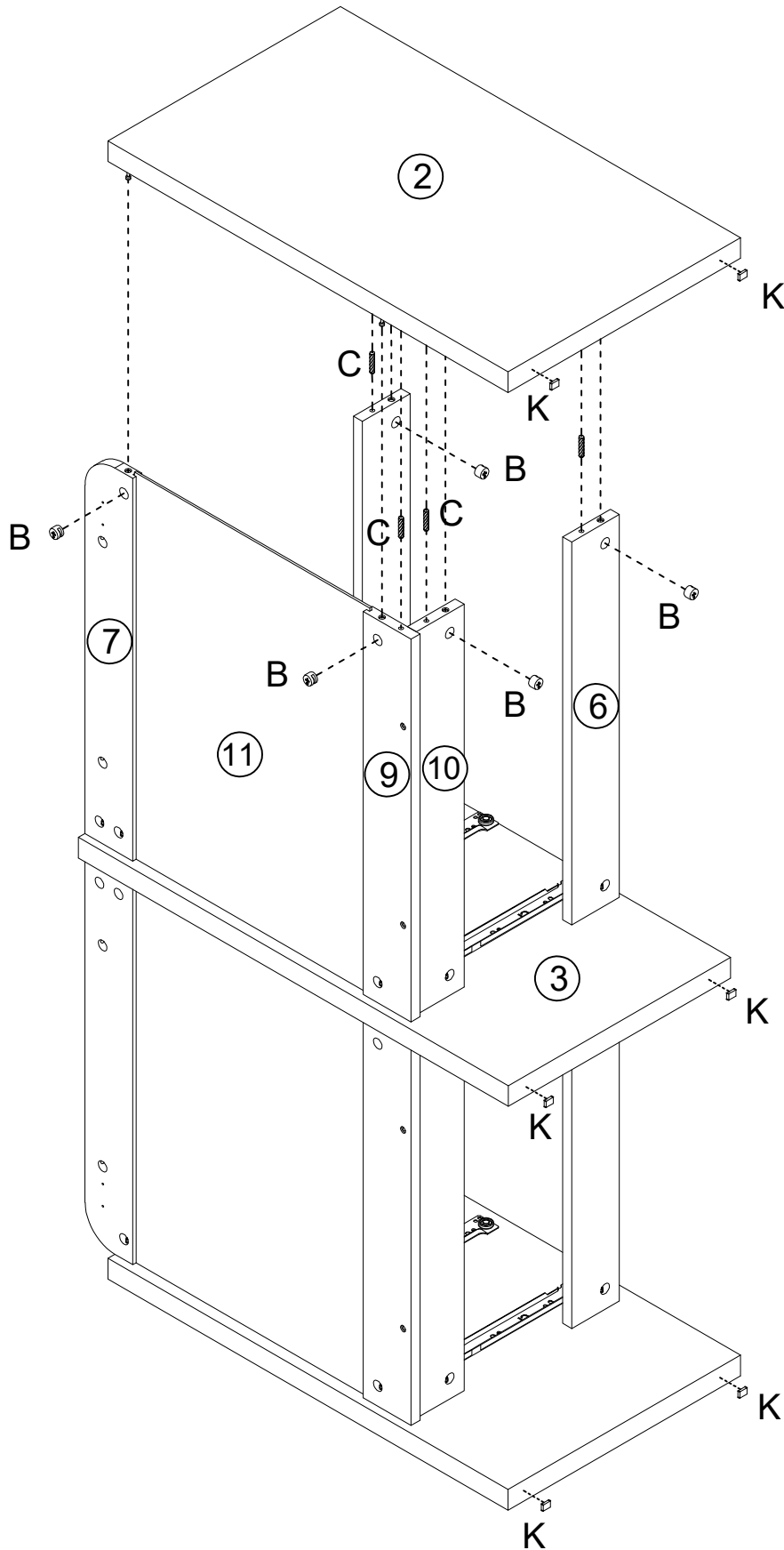
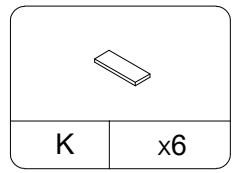
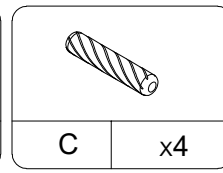
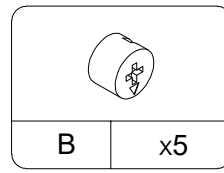
Step 6



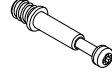


Step 7

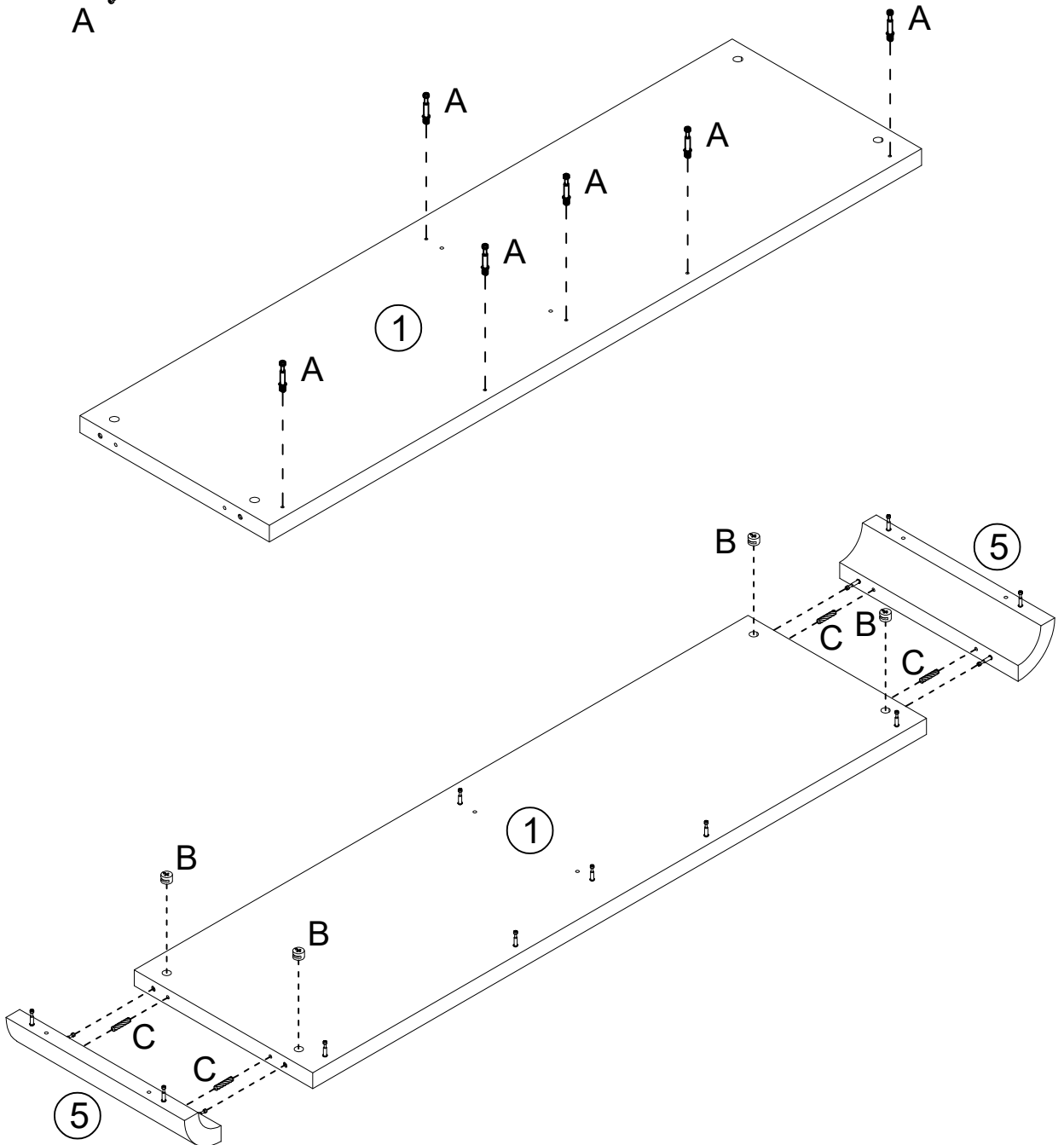
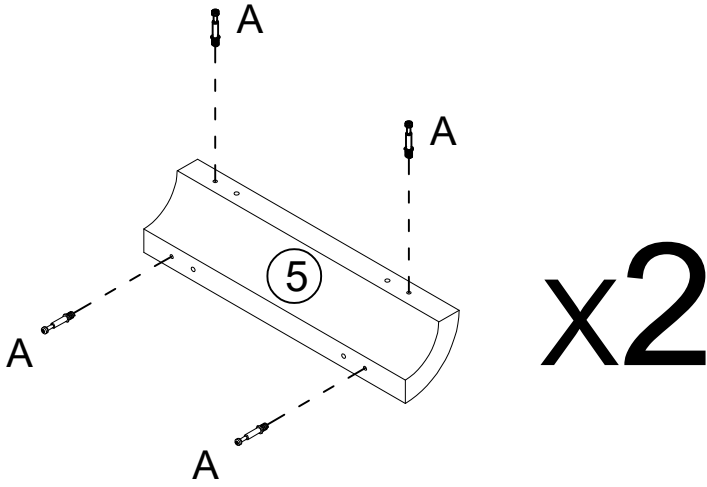


Step 8

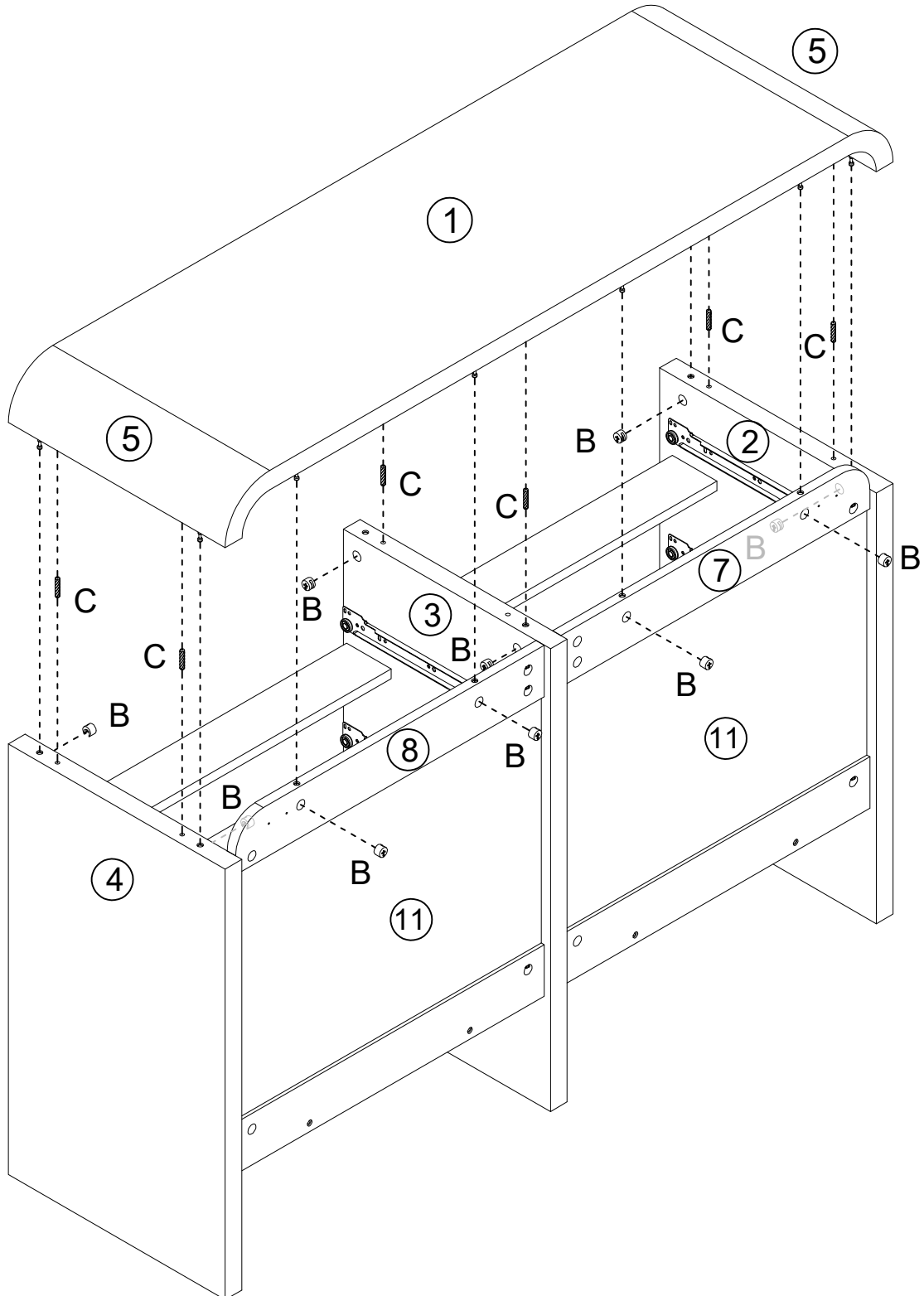
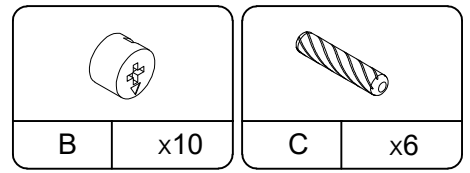


Step 9

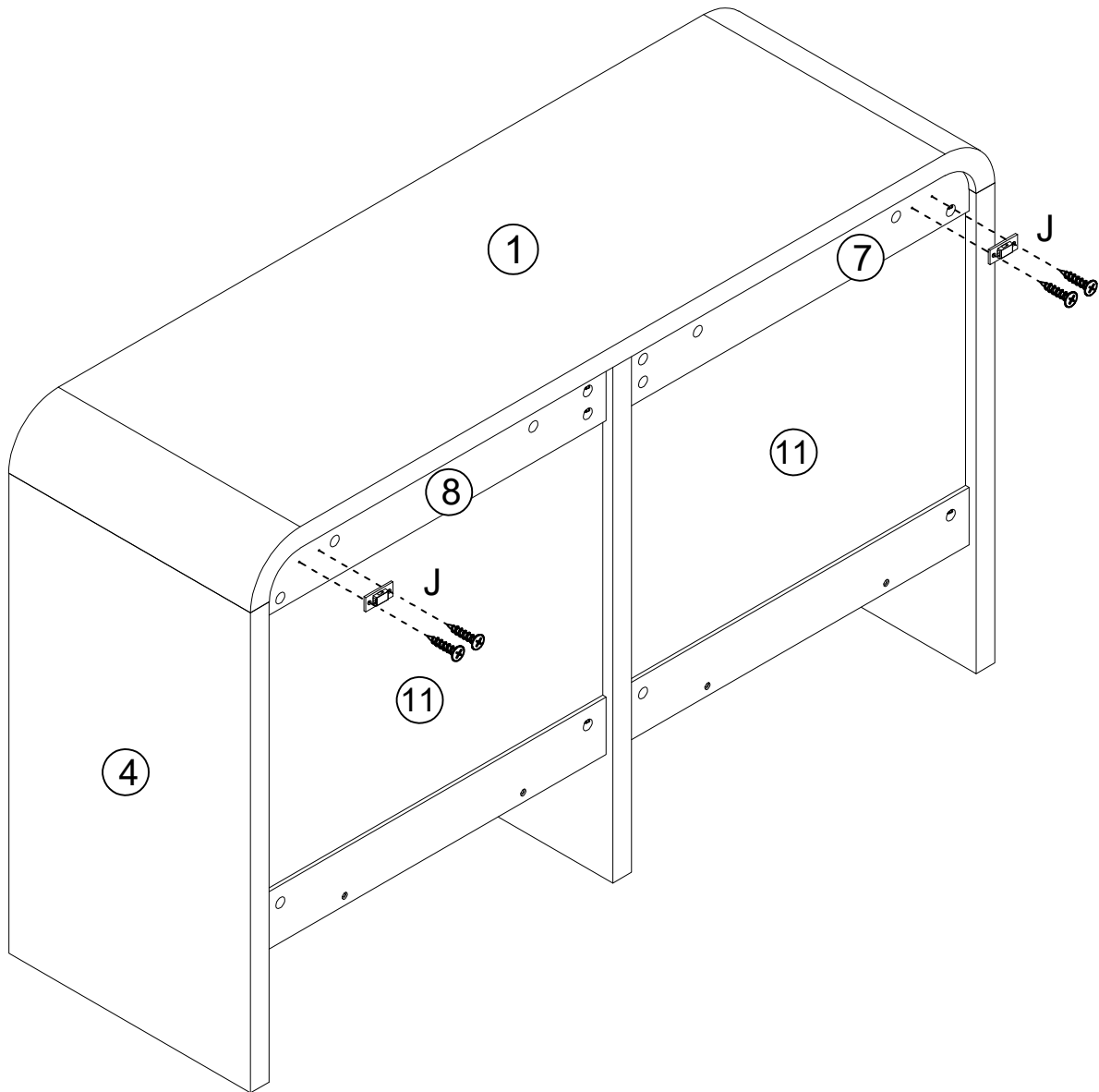
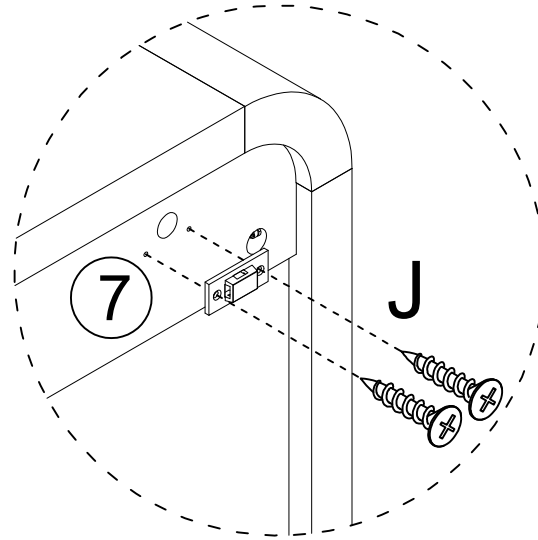
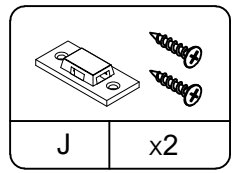
					
A	x14	B	x4	C	x4




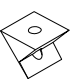
Step 10

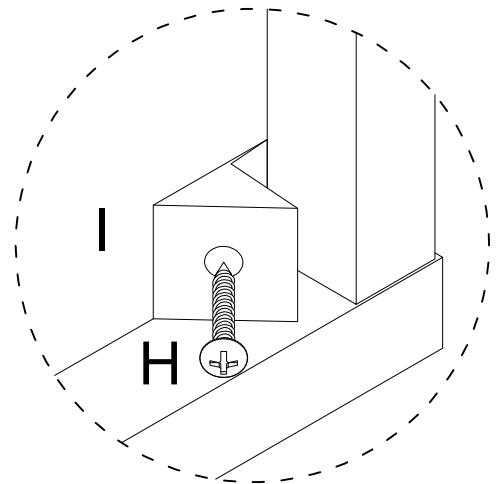
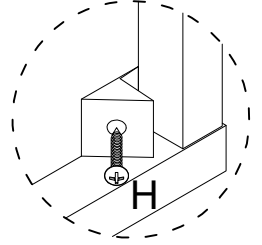
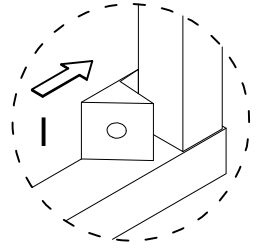
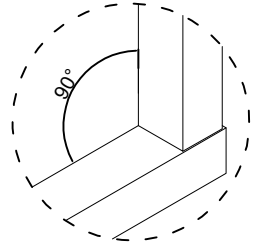
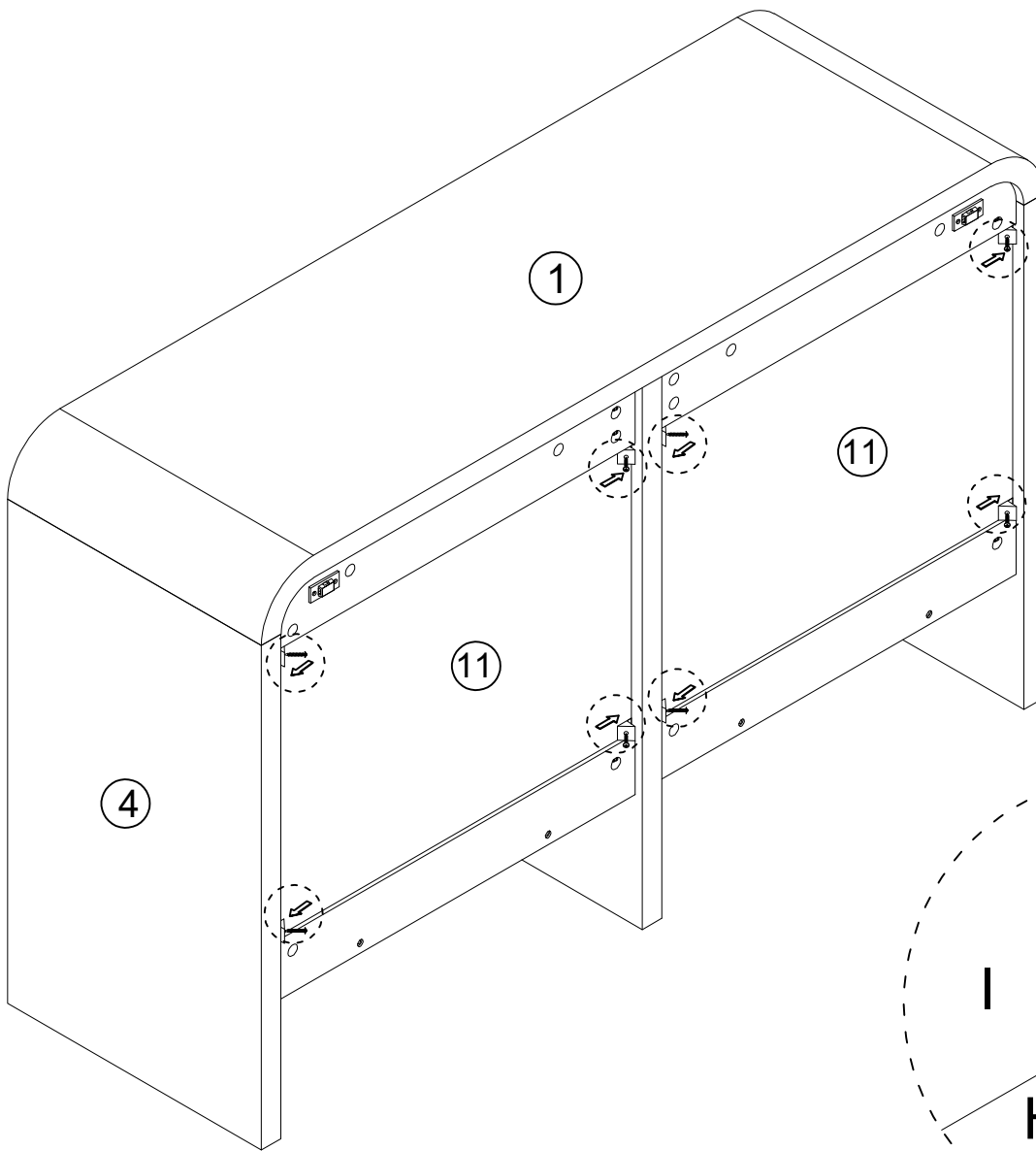


Step 11

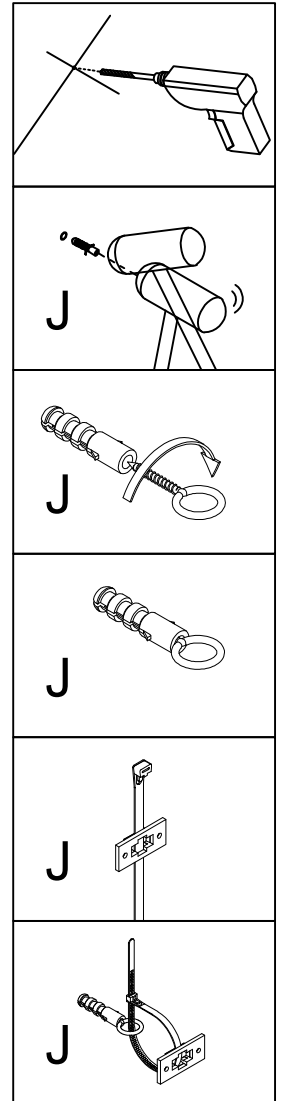
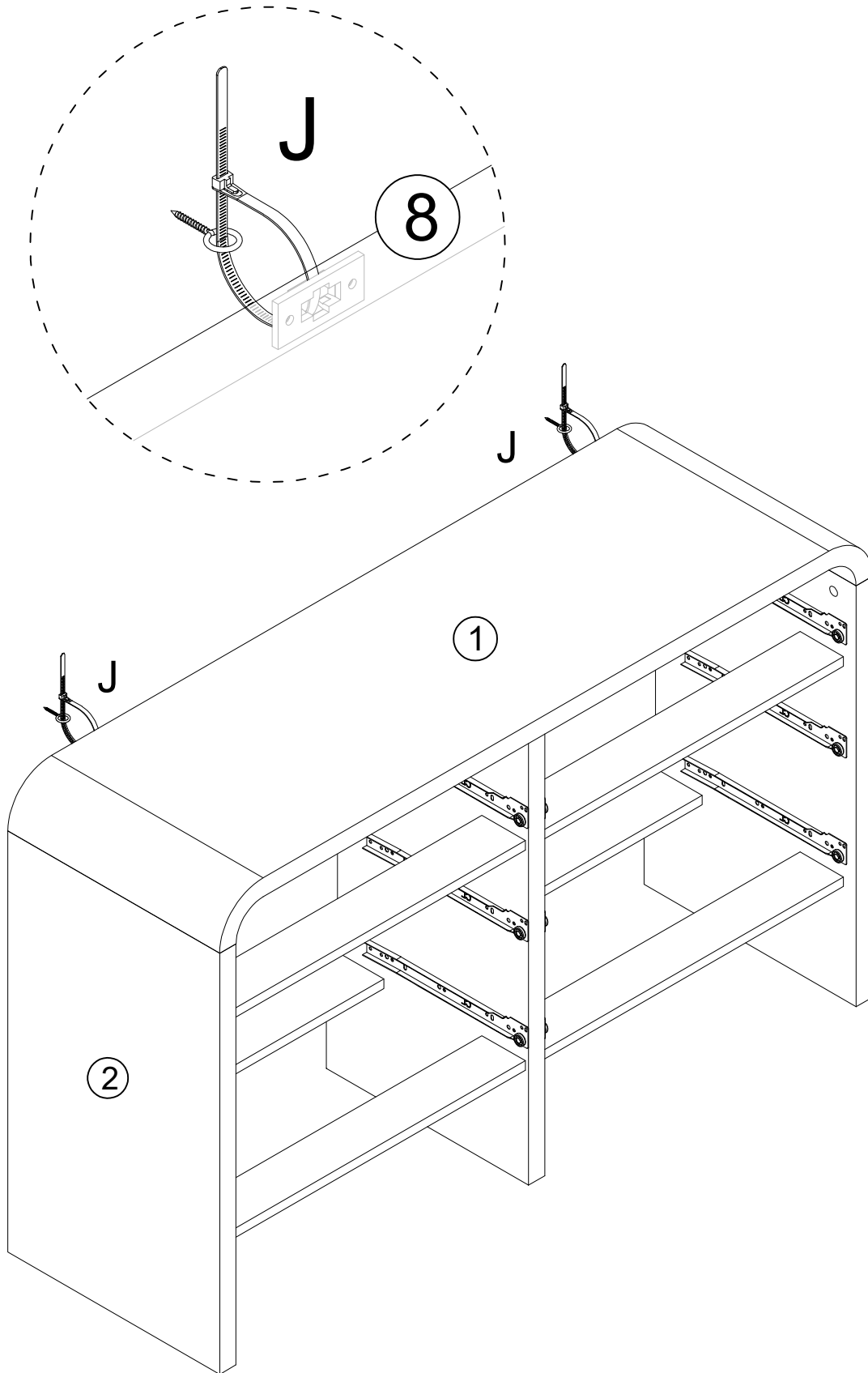
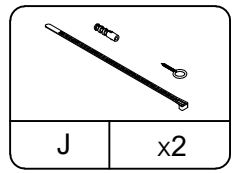


Step 12

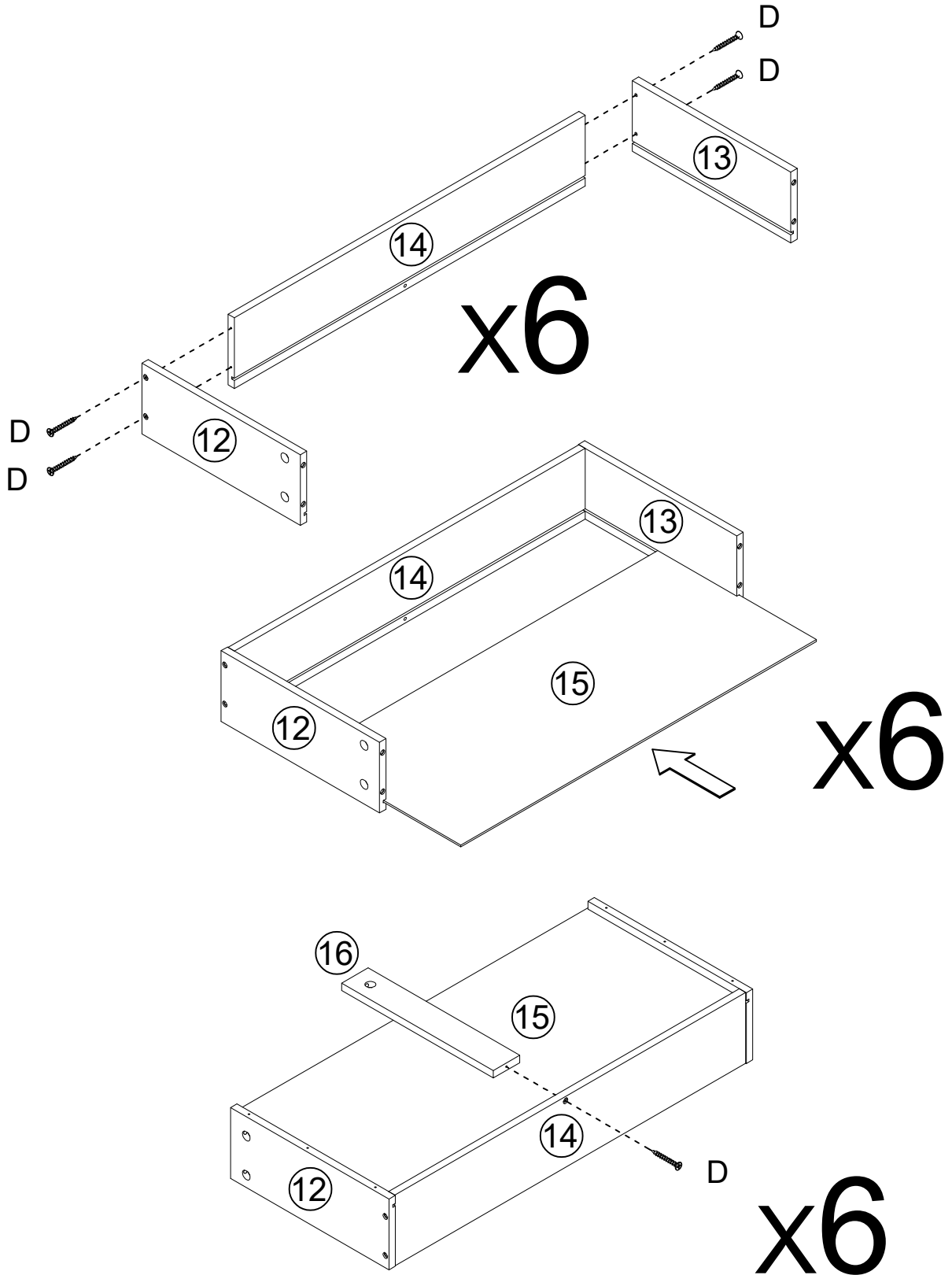
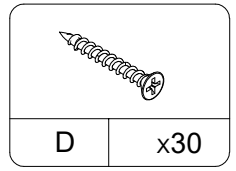
			
H	x8	I	x8



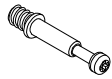

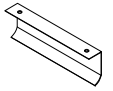
Step 13

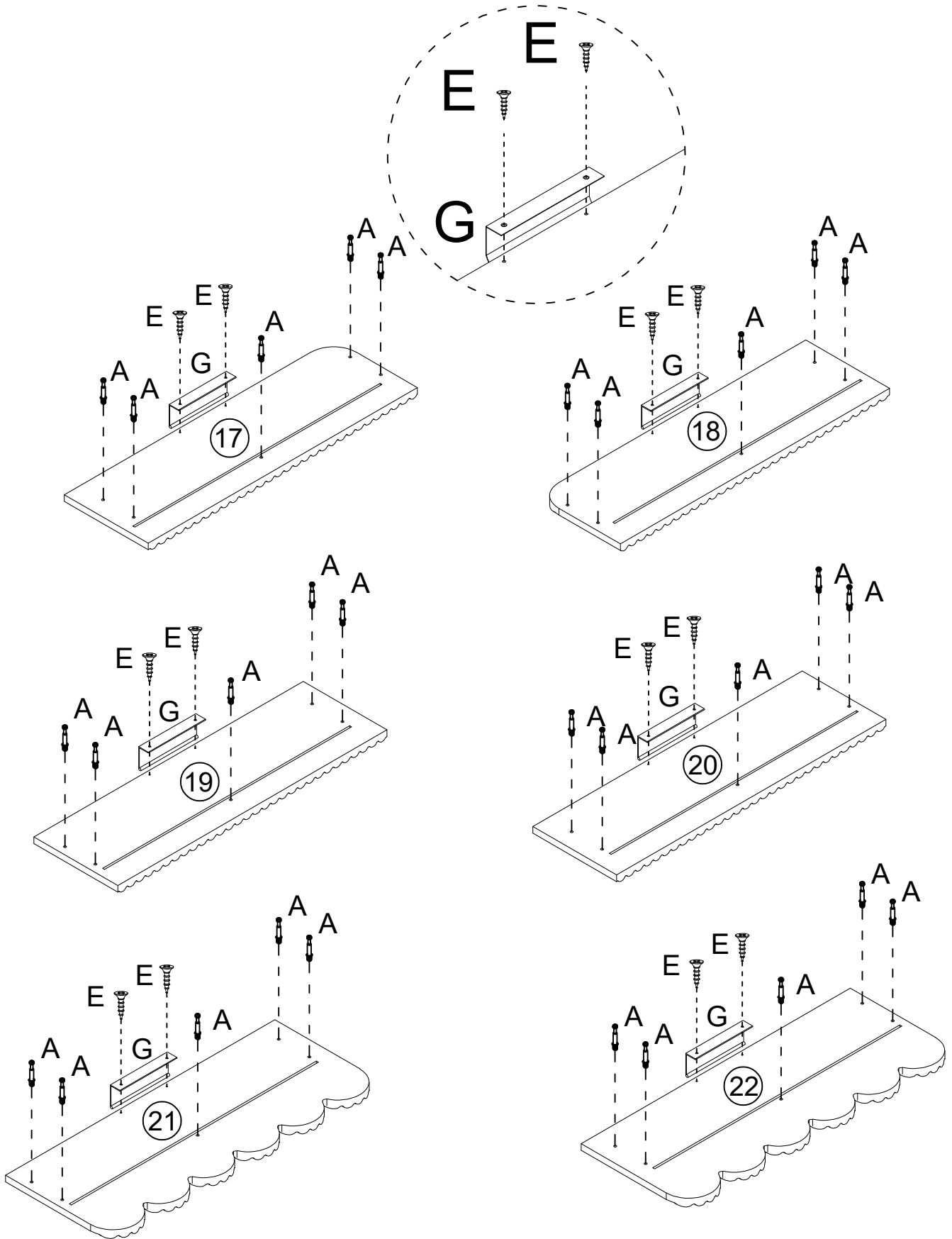


Step 14

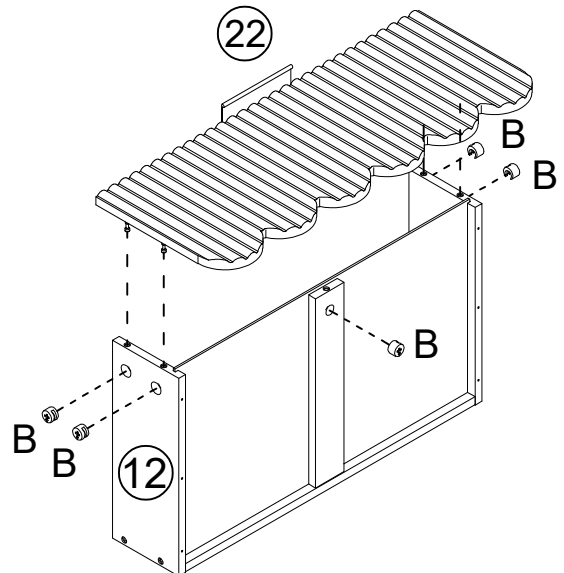
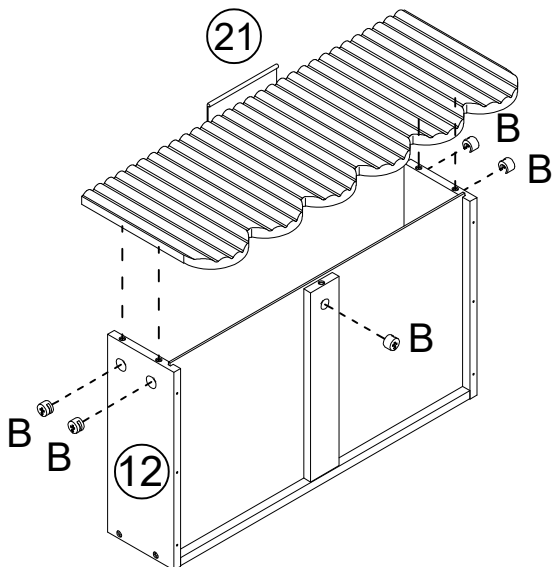
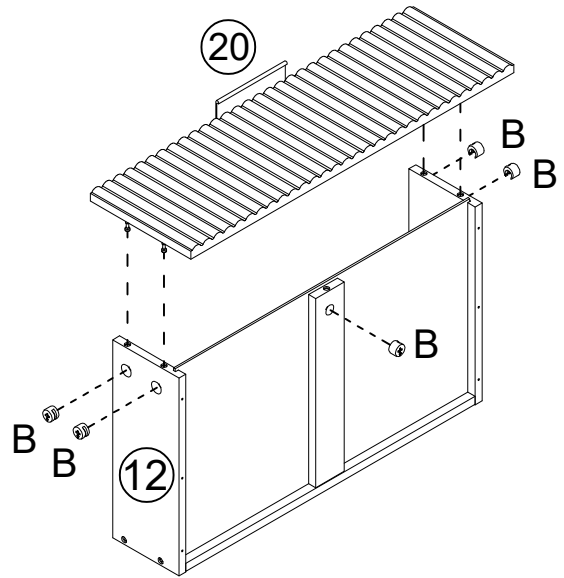
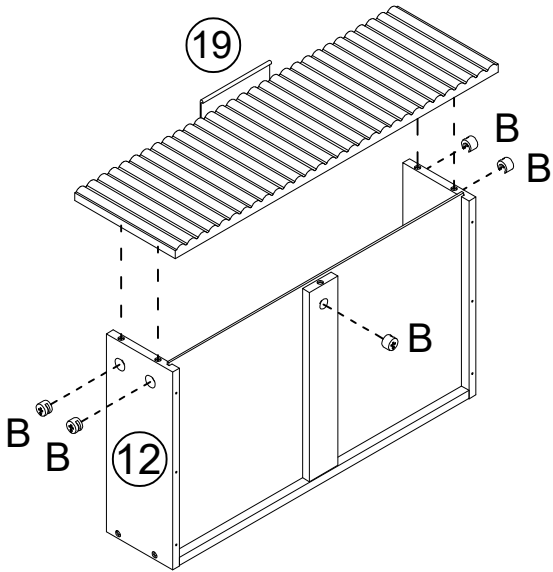
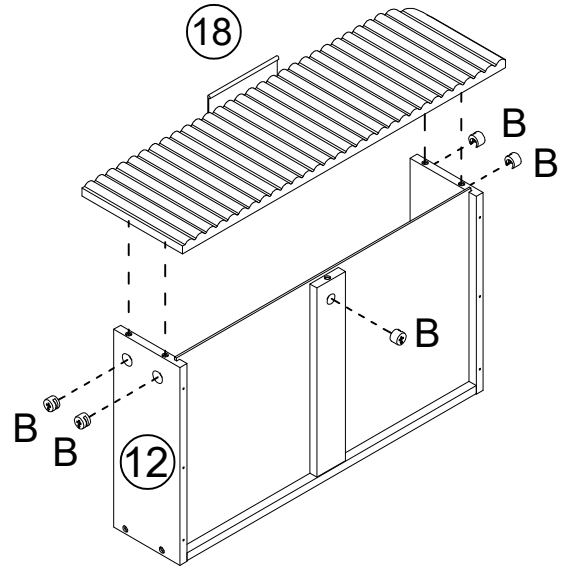
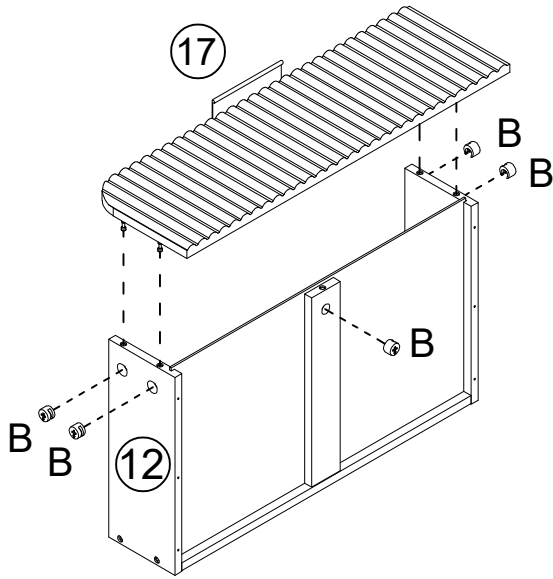
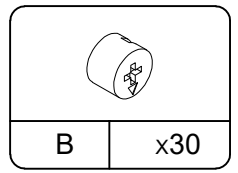


Step 15


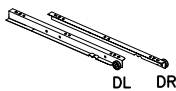
		
A	E	G
x30	x12	x6

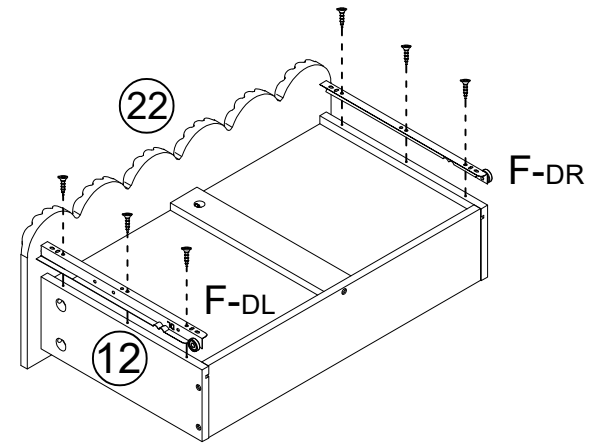
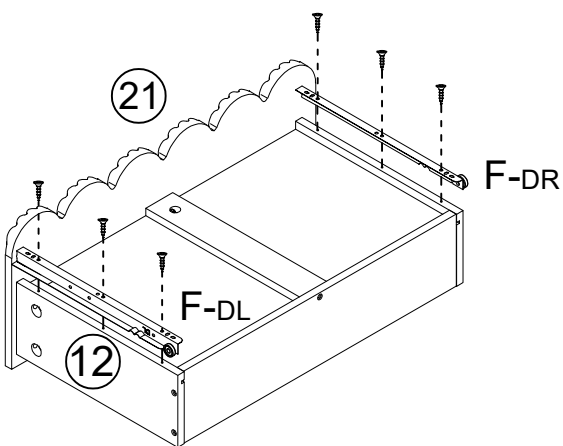
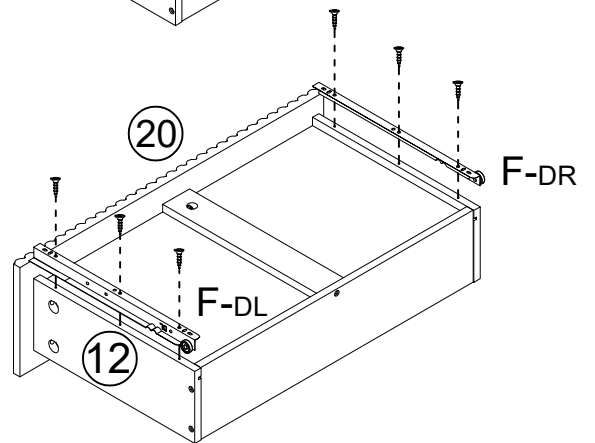
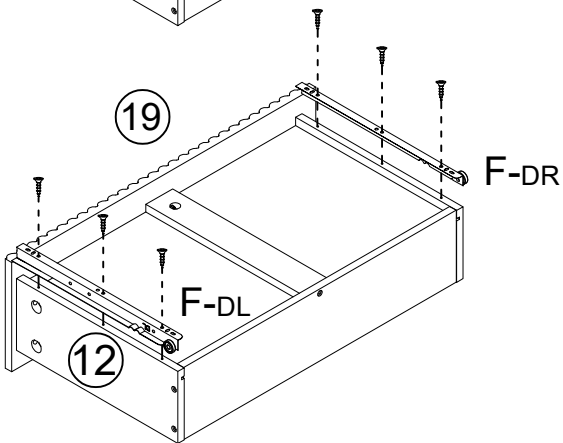
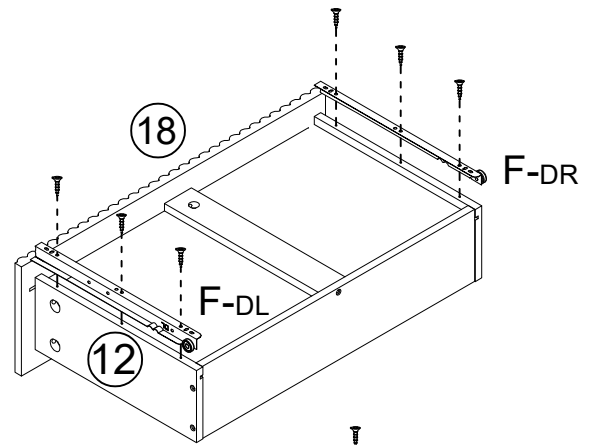
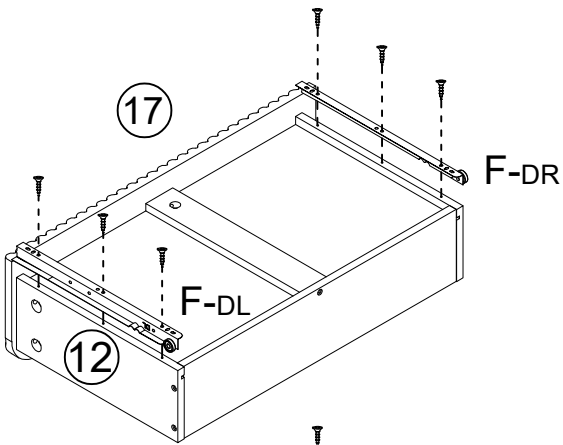
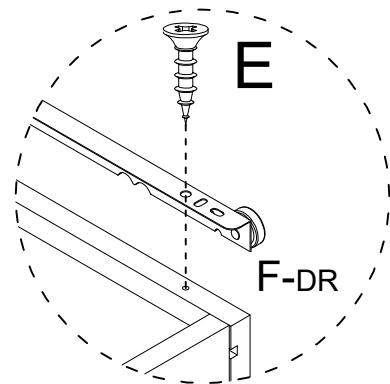
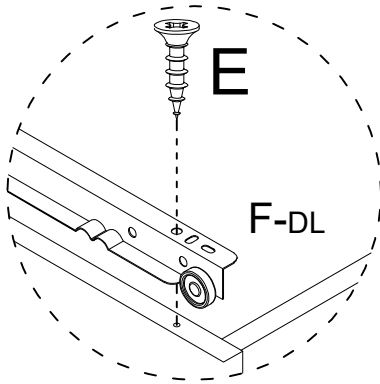


Step 16



Step 17

			
E	x36	F	x6



Step 18

