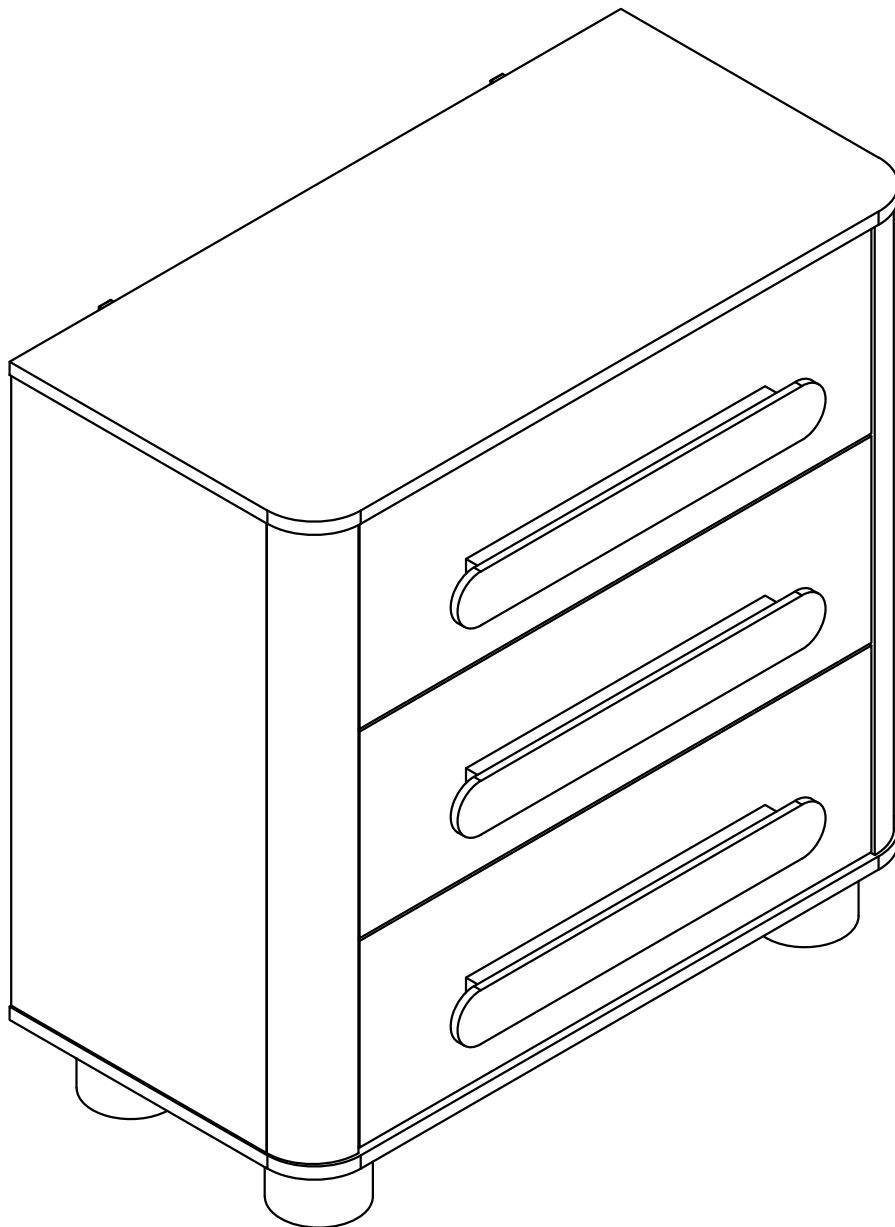
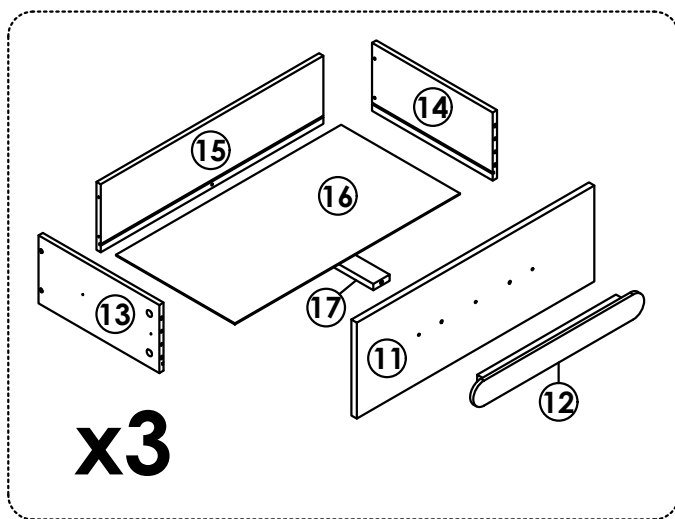
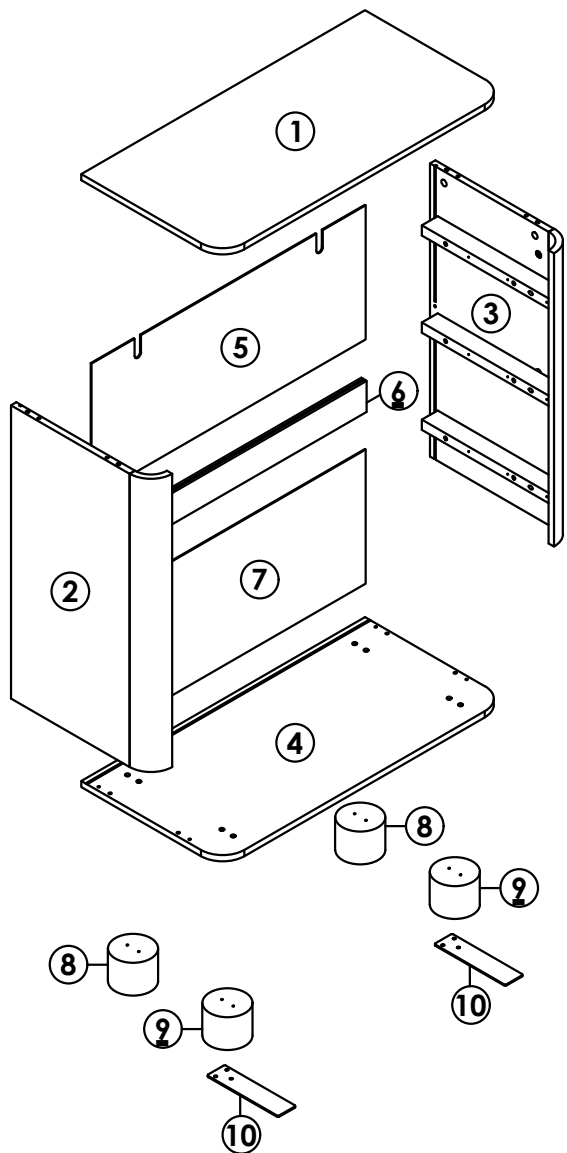


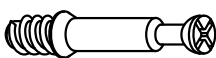





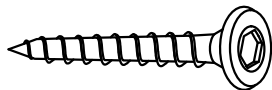
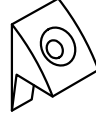
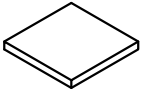

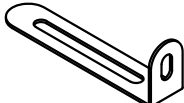

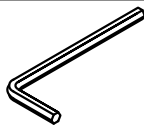
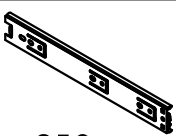

ASSEMBLY INSTRUCTION

If there are any questions during the assembly process.

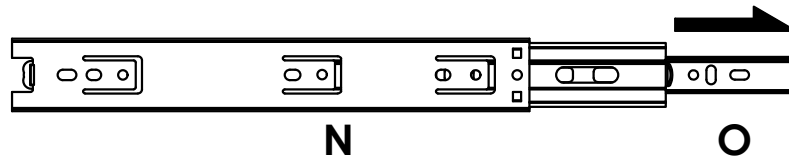
A video and description about the step you were stucked will help us to understand the problem quickly.



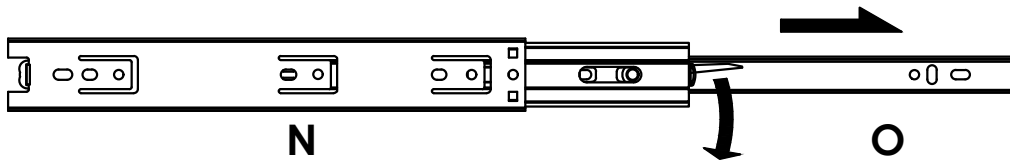


Ax23	Bx23	Cx36	Dx26
			
6x35mm	15x9mm	4x40mm	6x30mm
Ex8	Fx30	Gx8	Hx8
			
3x14mm	3x12mm	5x45mm	
Ix7	Jx4	Kx2	Lx2
			
45x45x5mm	4x12mm		6x30mm
Mx1	Nx6	Ox6	
			
M4mm	250mm	247mm	

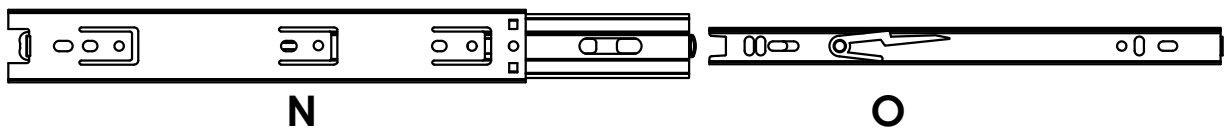
1. Unfold the small part "O" of the large part "N", all the way to the end and in the direction shown.



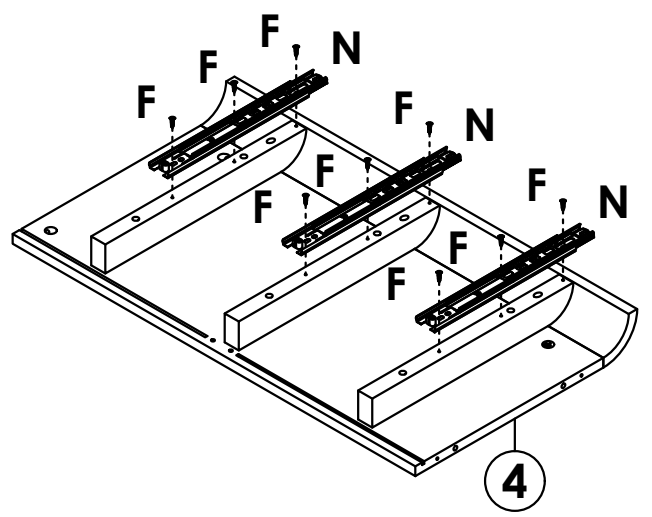
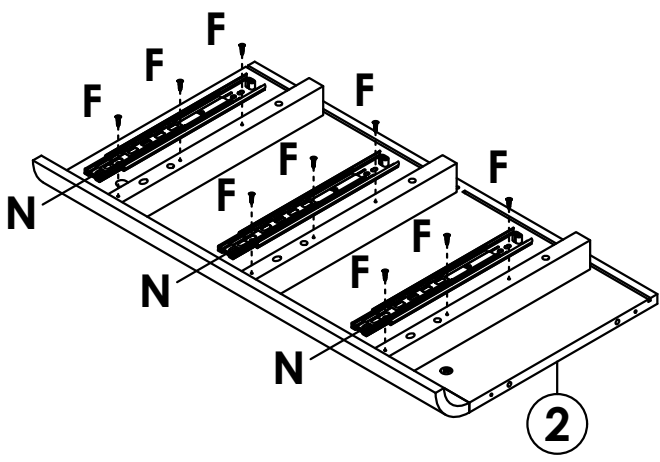
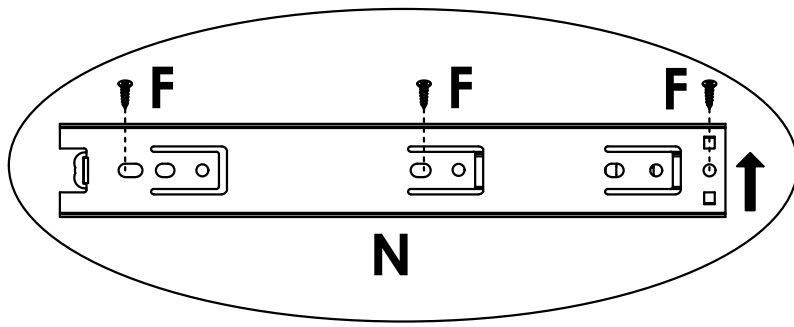
2. Press the lever of part "O", in the direction indicated, at the same time as you separate part "N" from part "O".


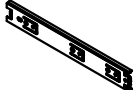


3. You should get two Sliders as shown below.

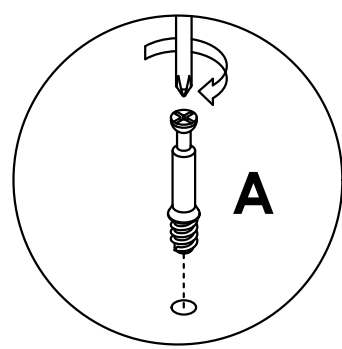
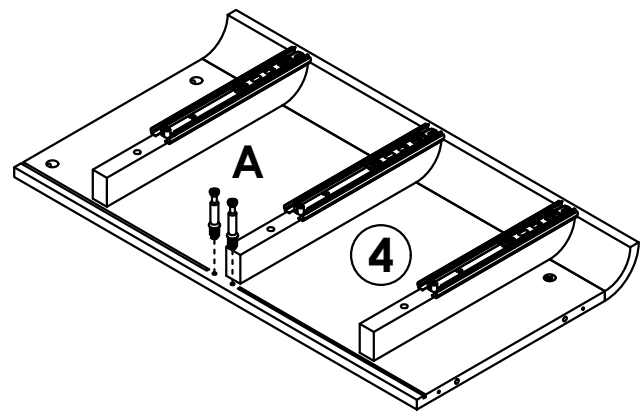
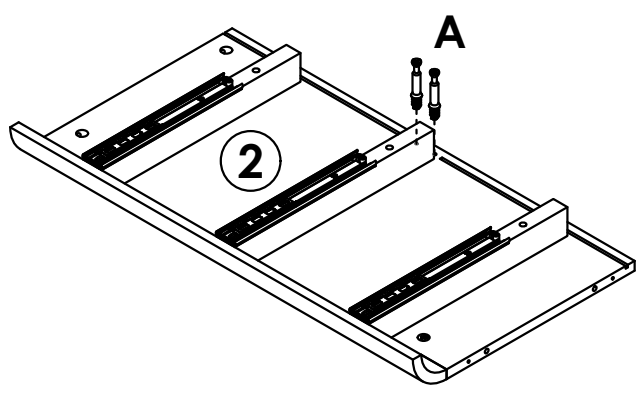


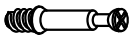
2



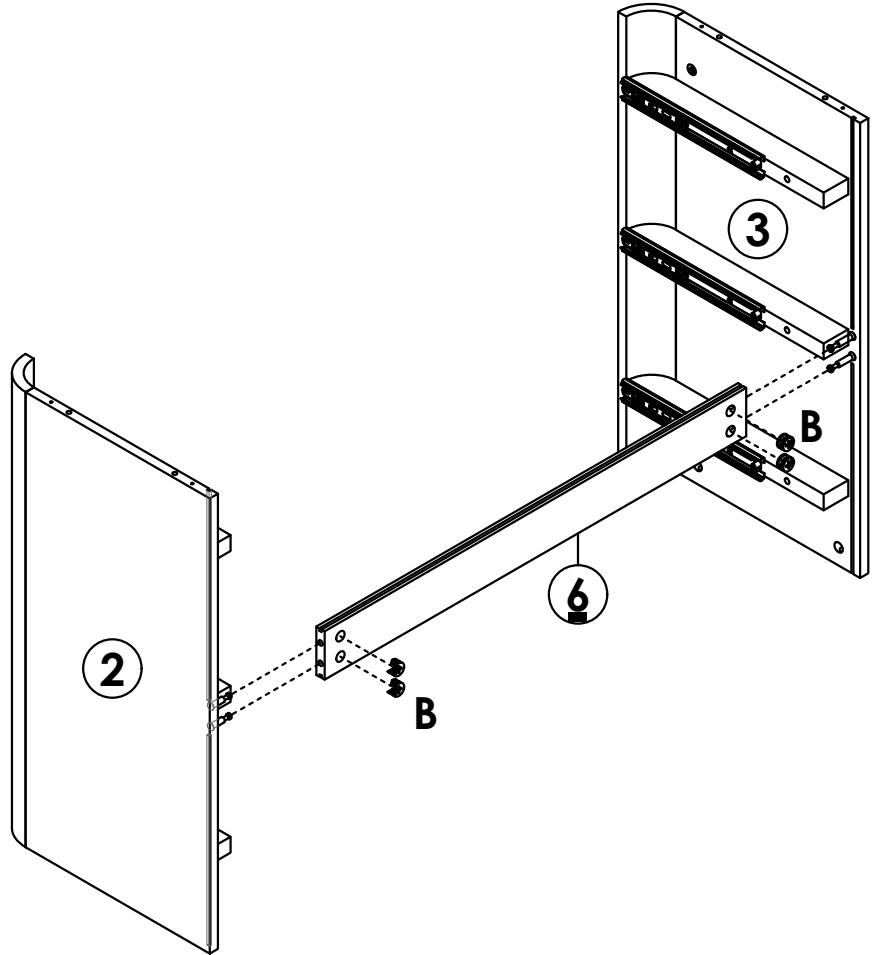
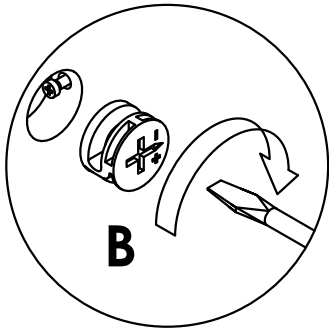
Fx18	Nx6
	

3



Ax4


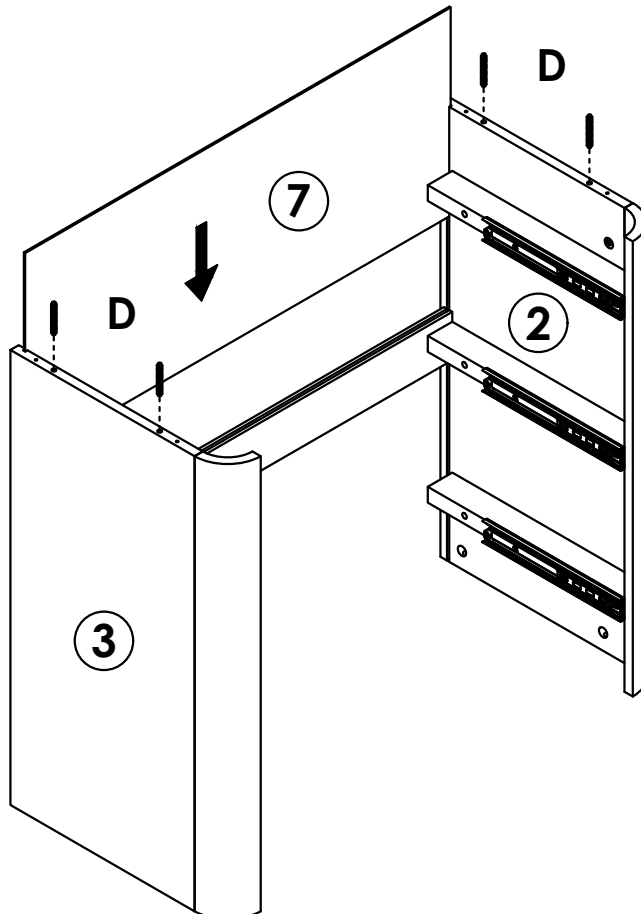
4



Bx4



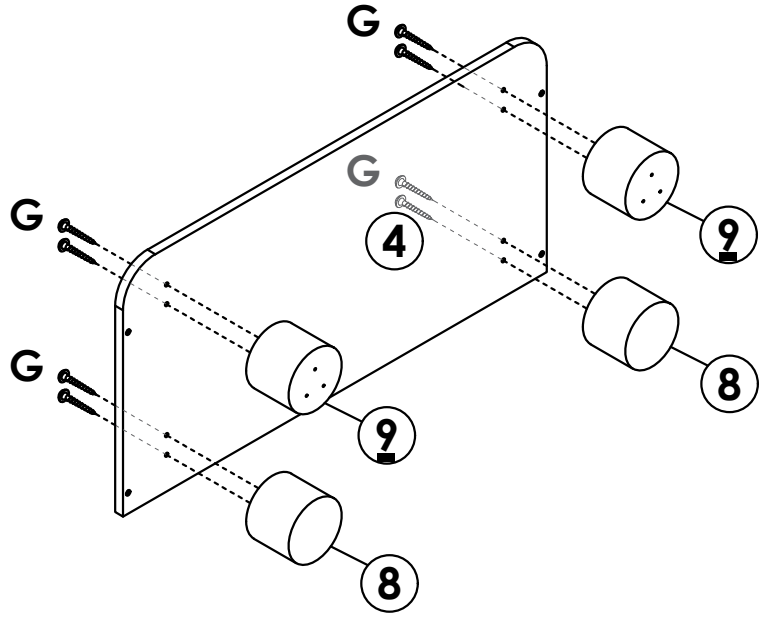
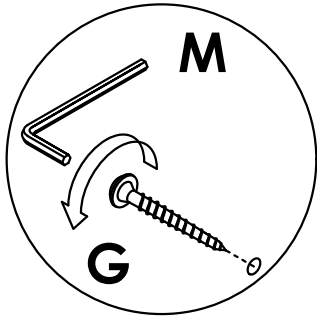
5

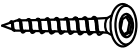
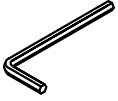


Dx4

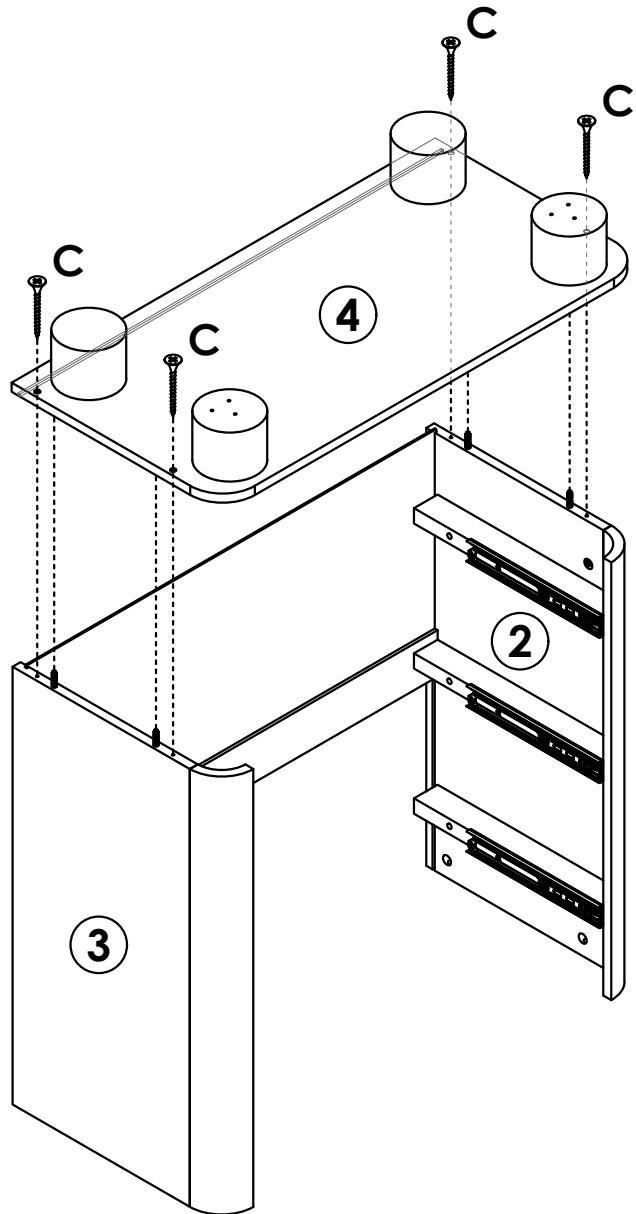
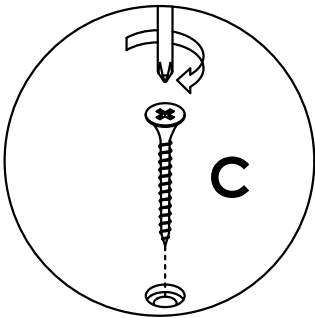


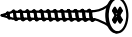
6



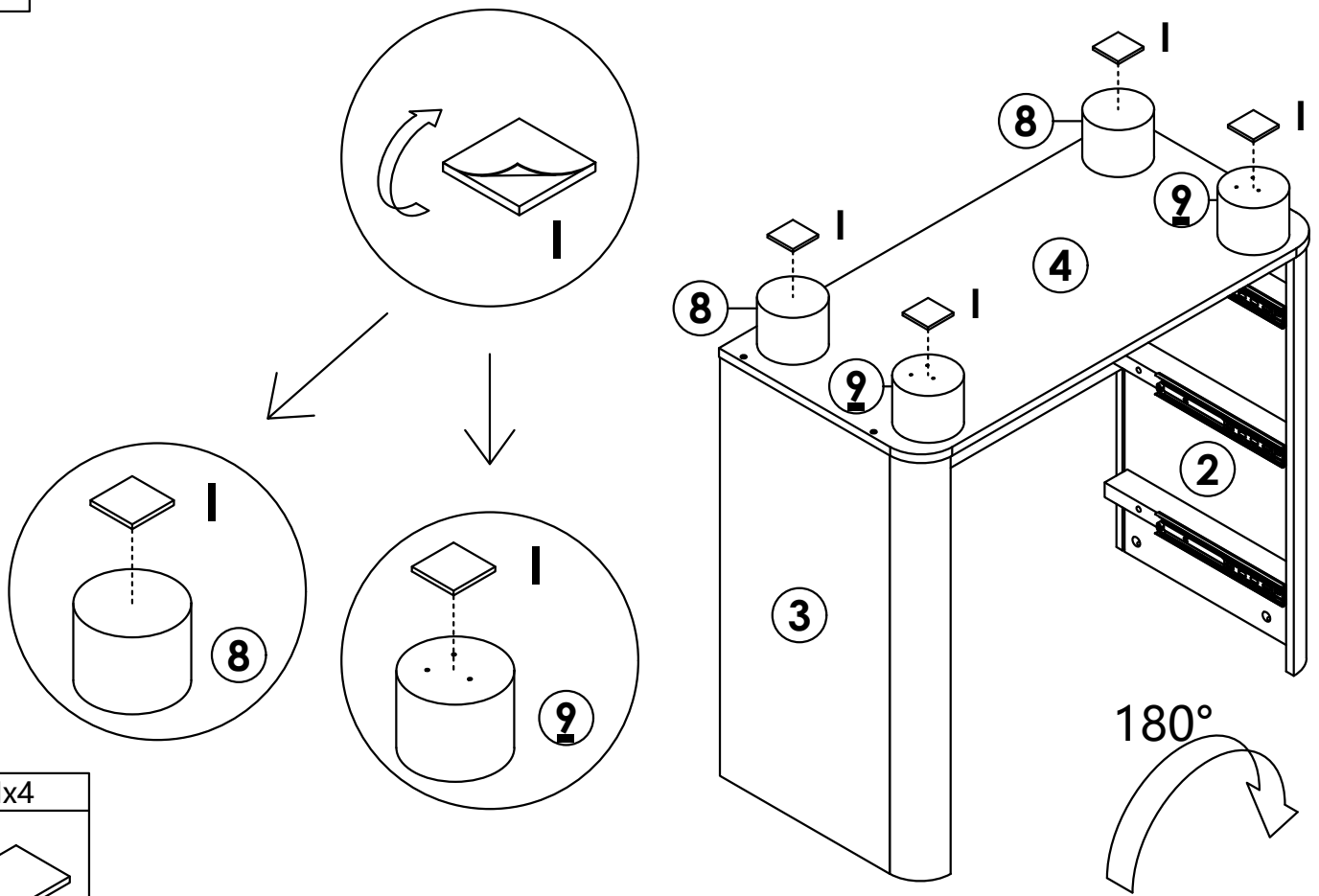
Gx8	Mx1
	

7

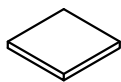


Cx4


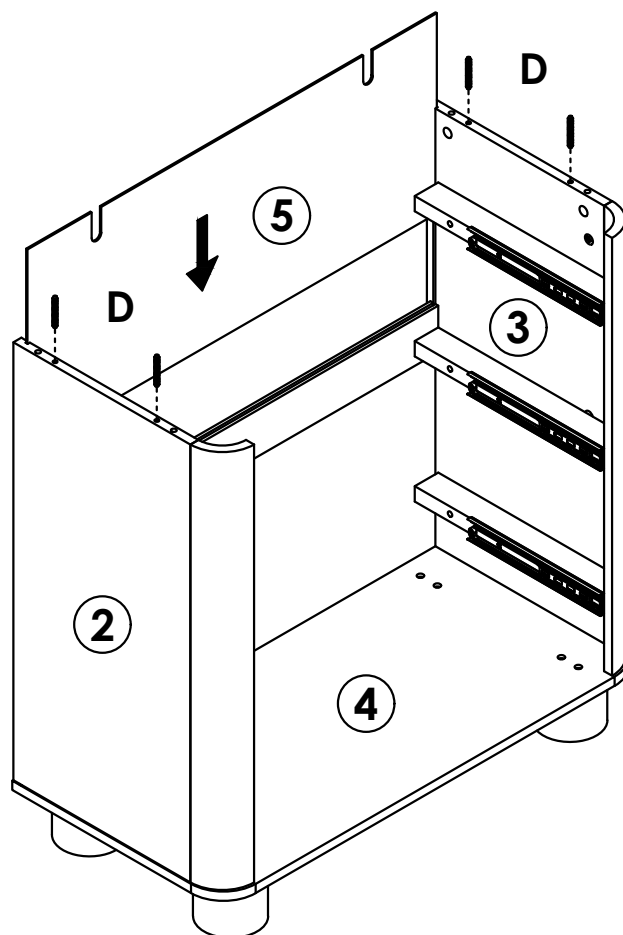
8



1x4



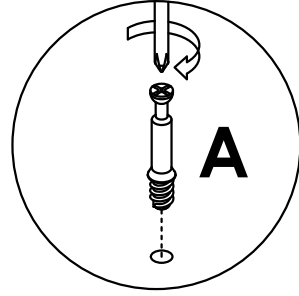
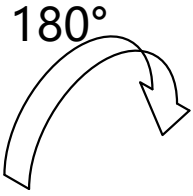
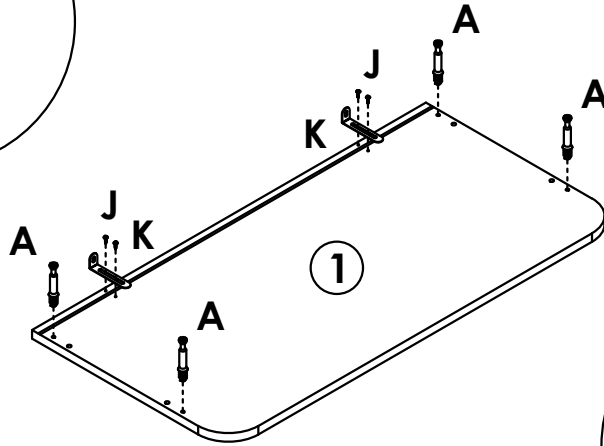
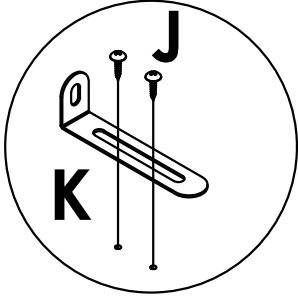
9

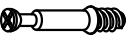




Dx4

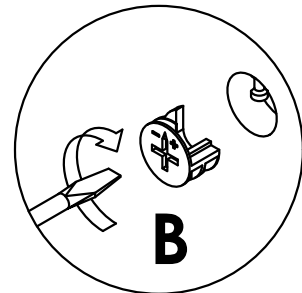
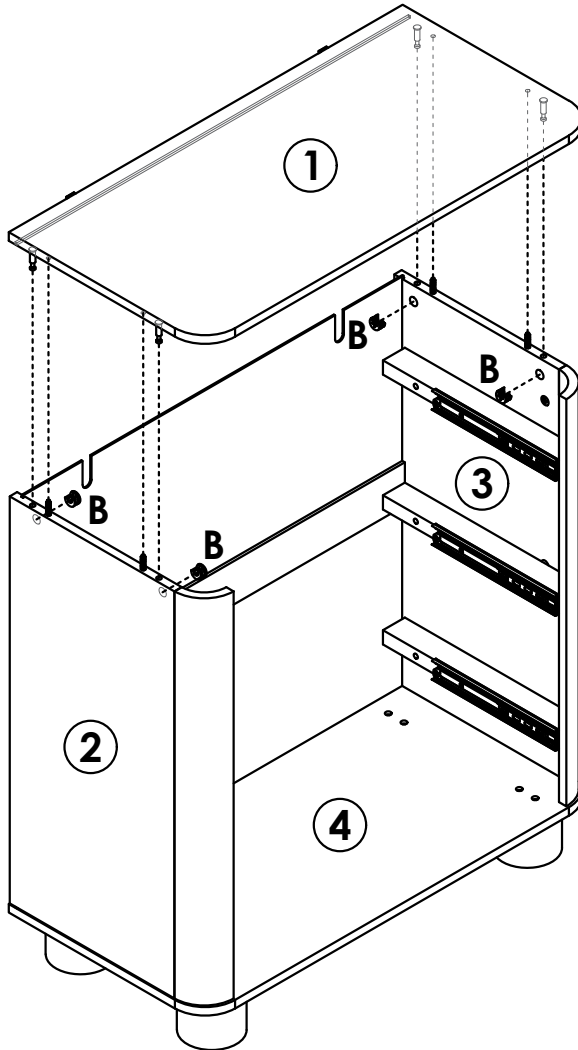



10

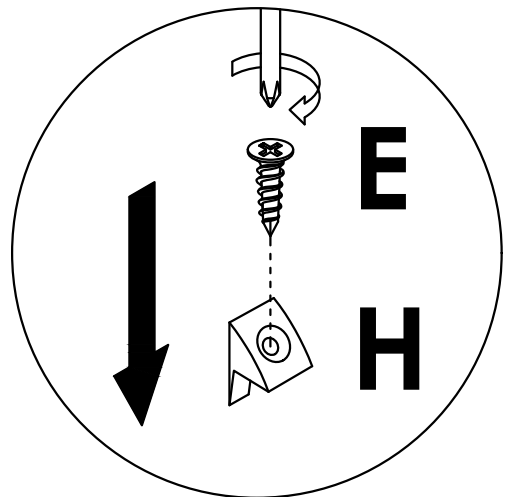
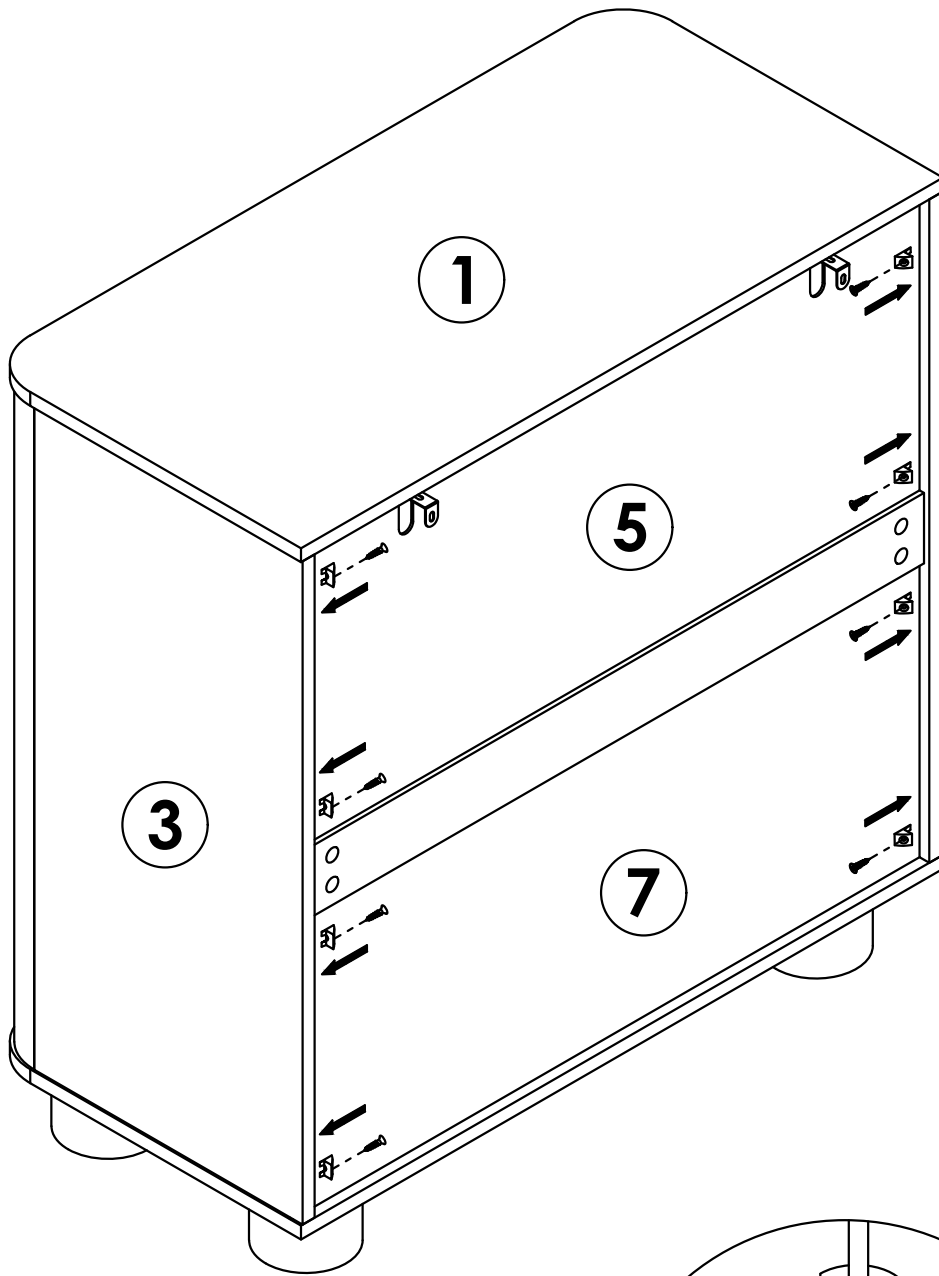


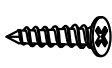

Ax4	Jx4	Kx2
		

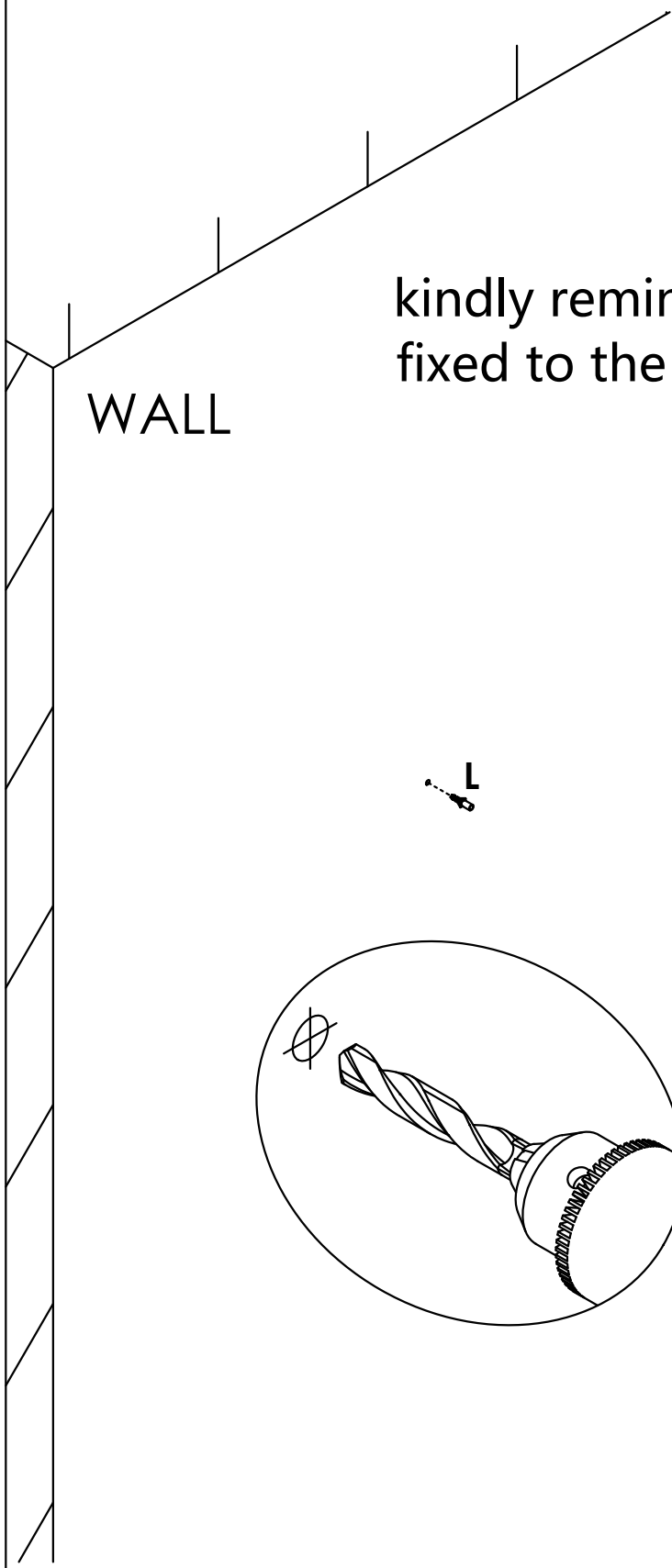
11



Bx4


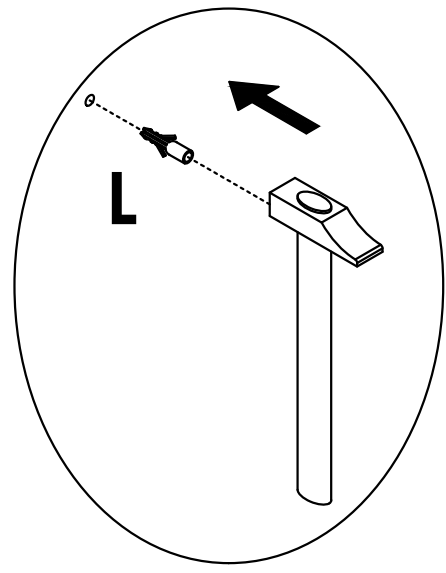
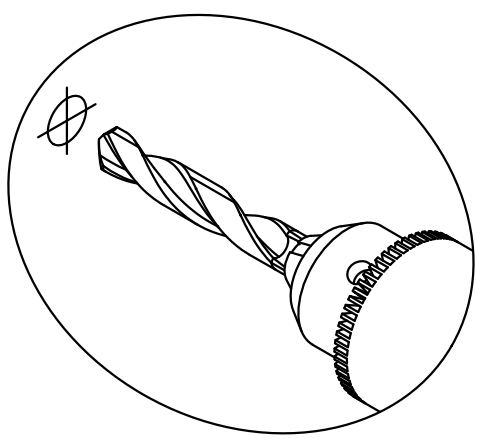


Ex8	Hx8
	



WALL

kindly remind: This product must be fixed to the wall before use.

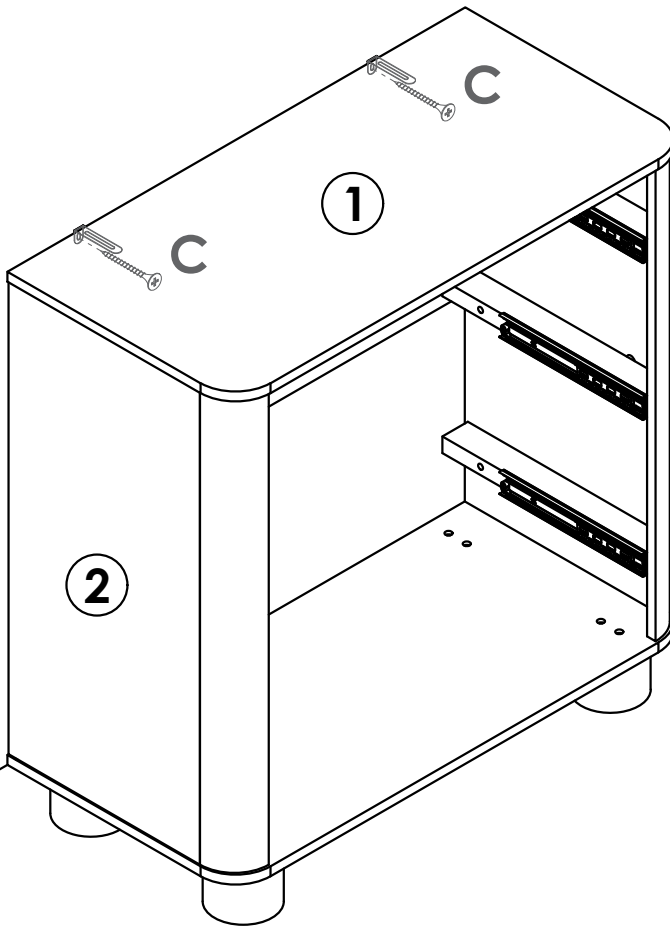
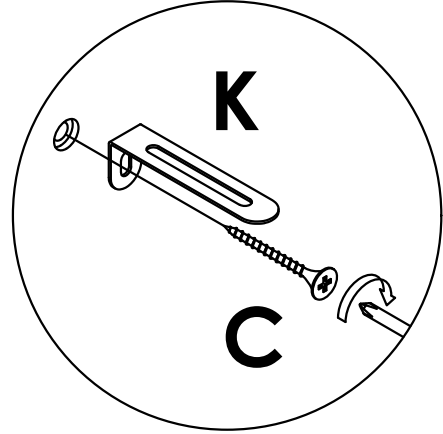


Lx2

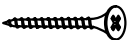


14

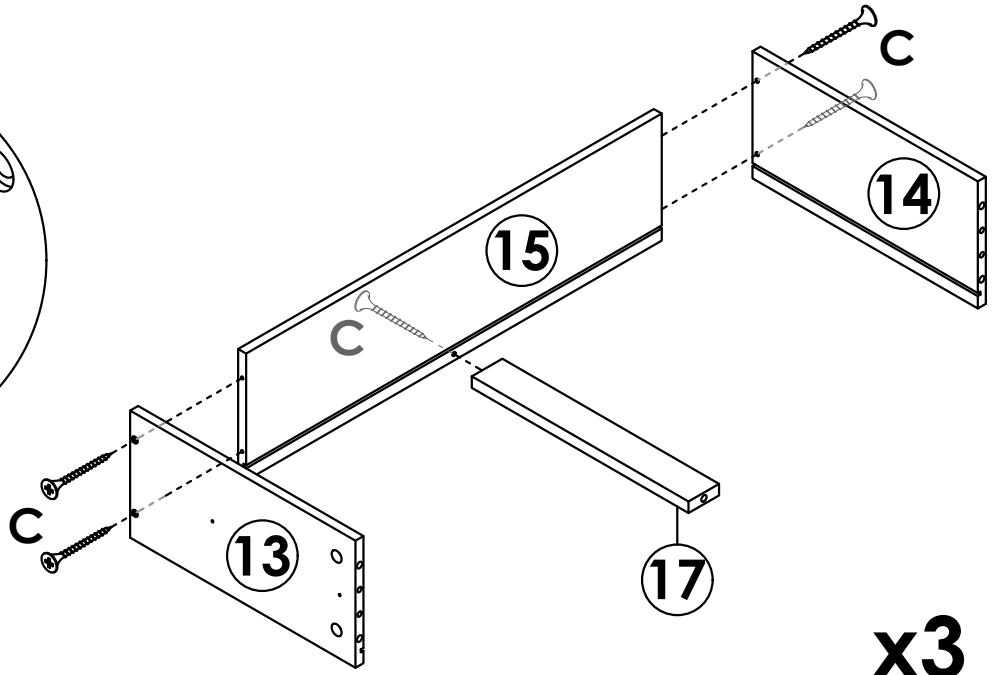
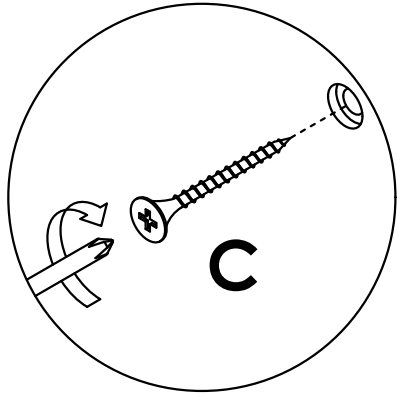
WALL



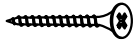
Cx2



15

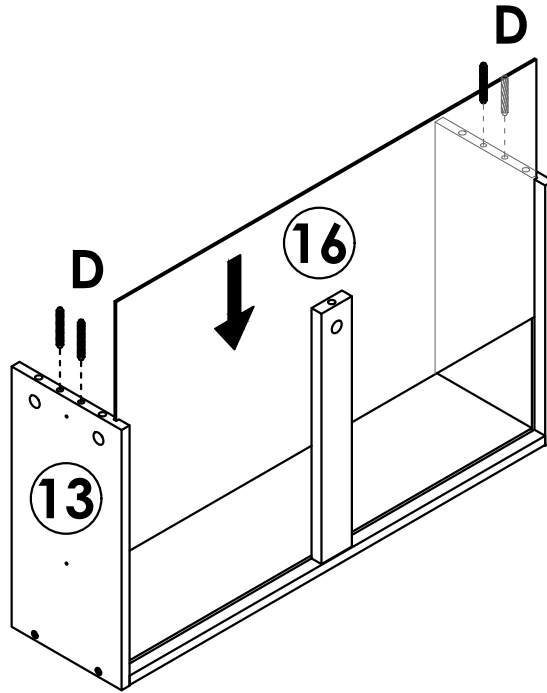


Cx15



x3

16

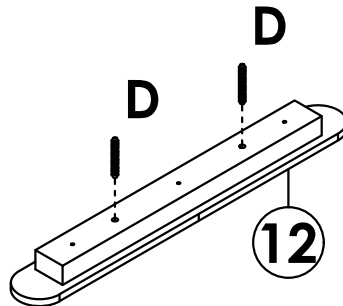


Dx12



x3

17

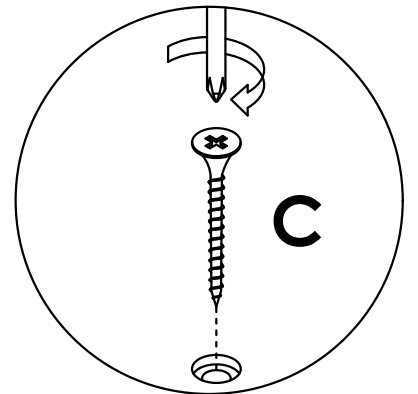
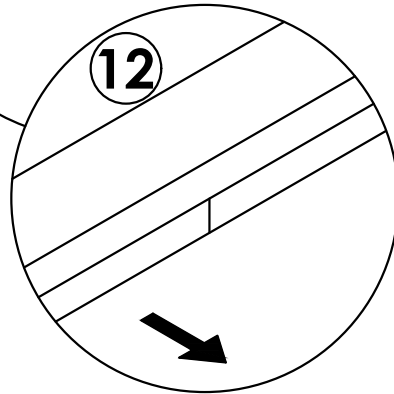
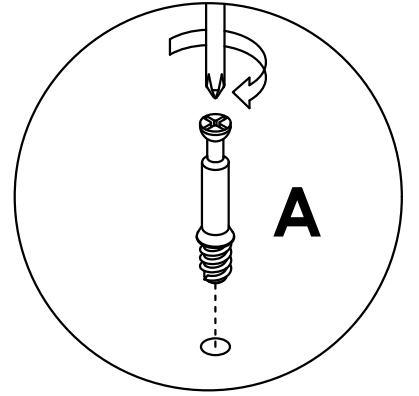
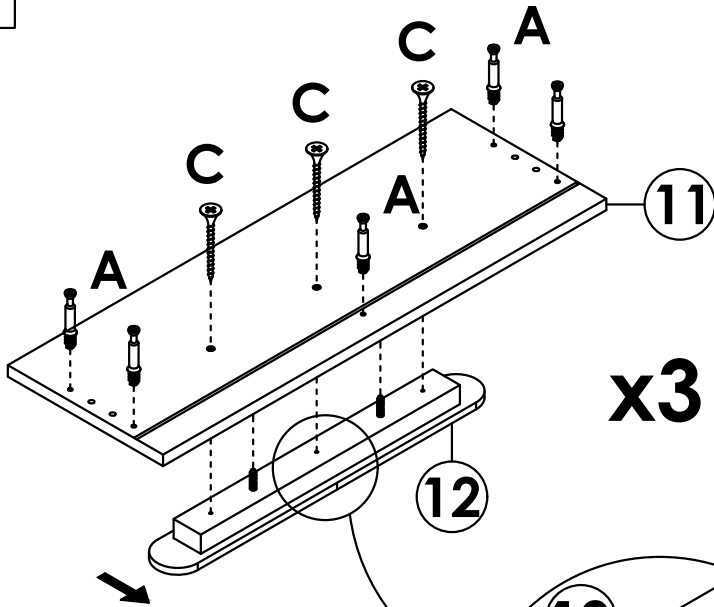


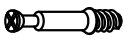
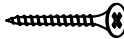
Dx6



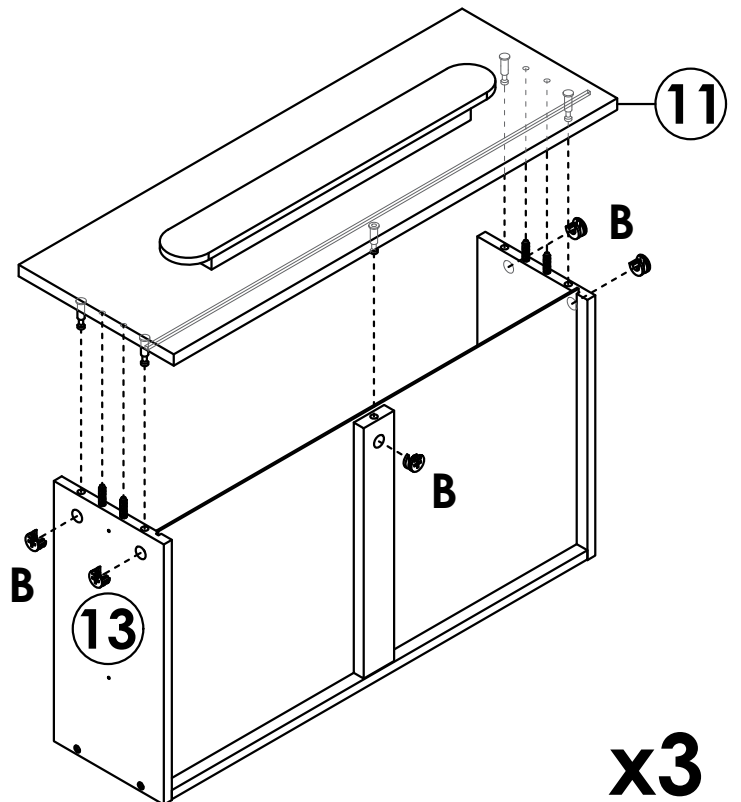
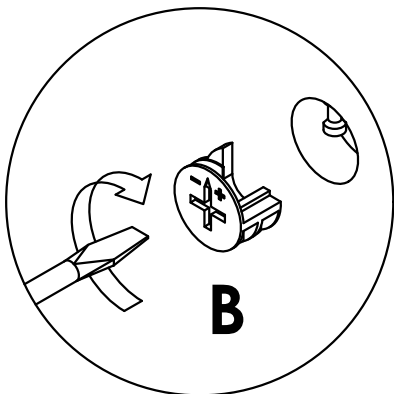
x3


18

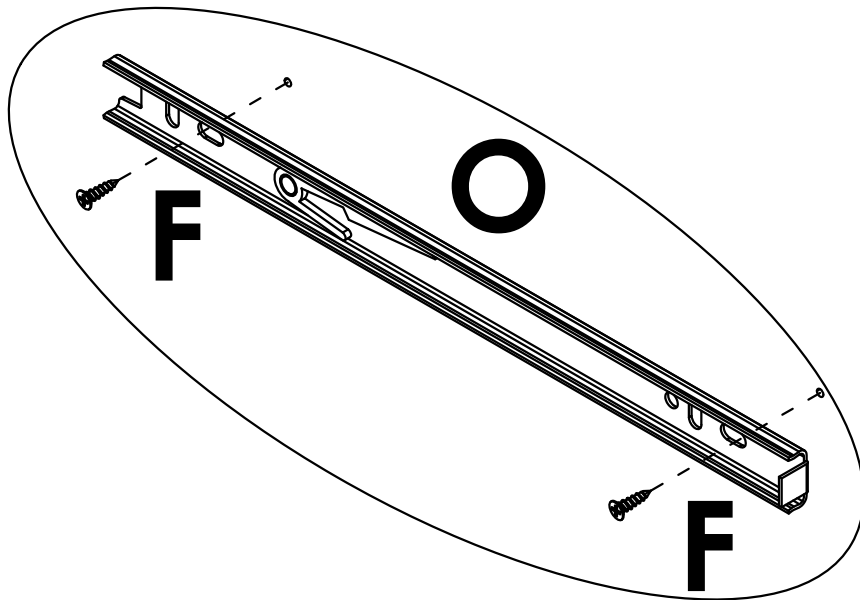
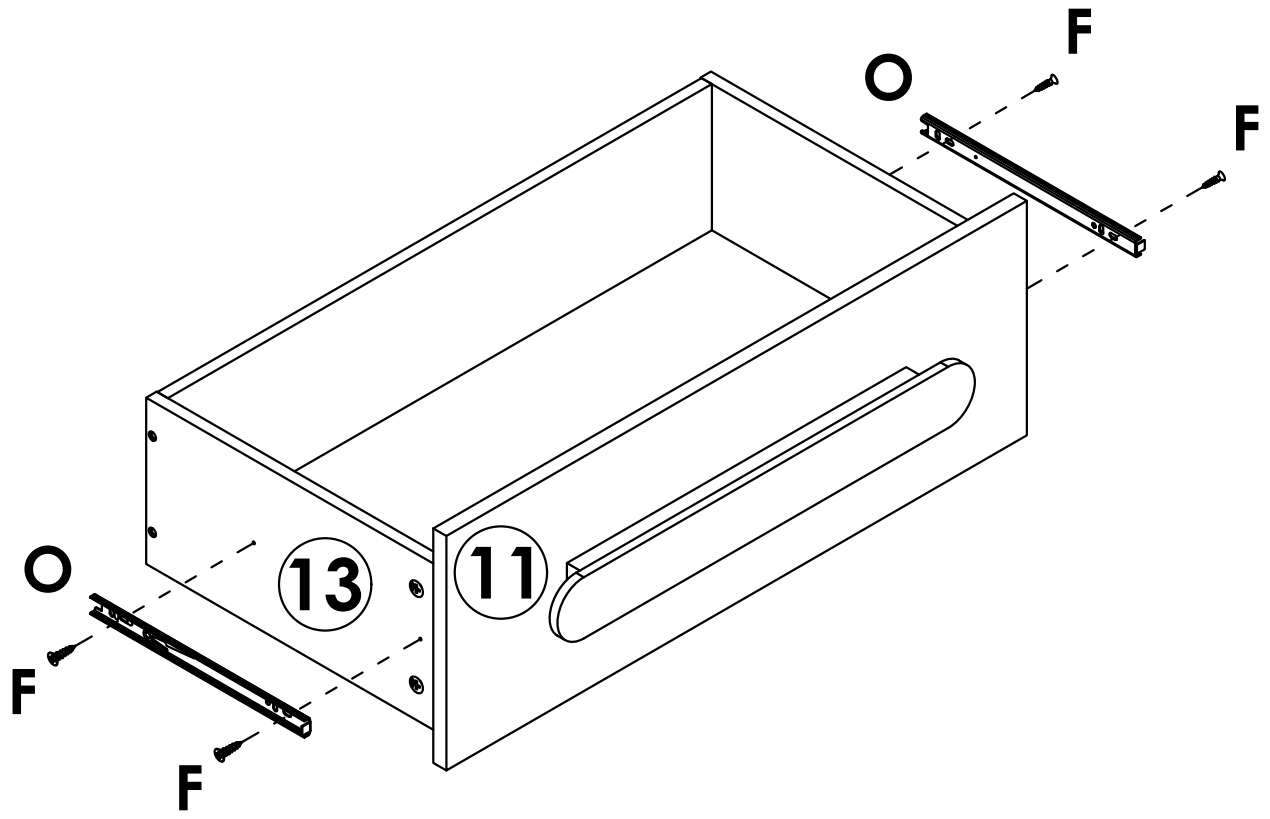


Ax15	Cx9
	



19

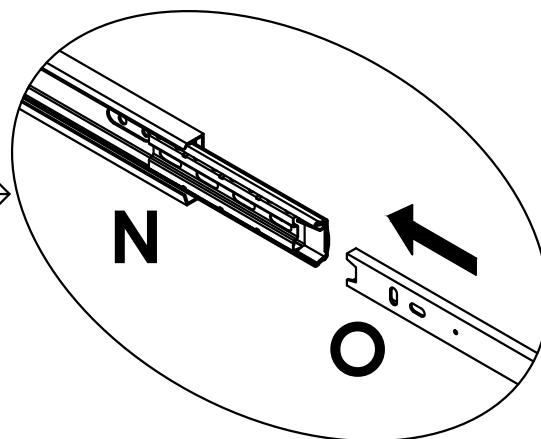
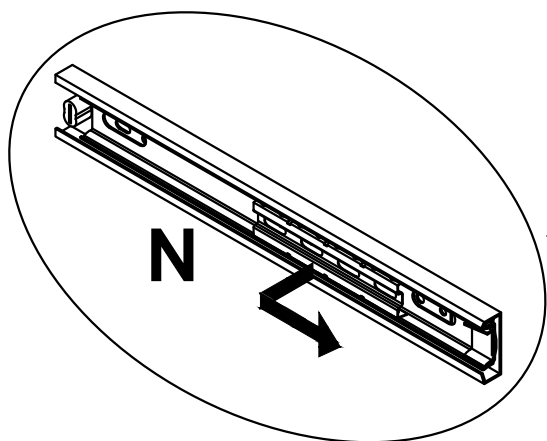
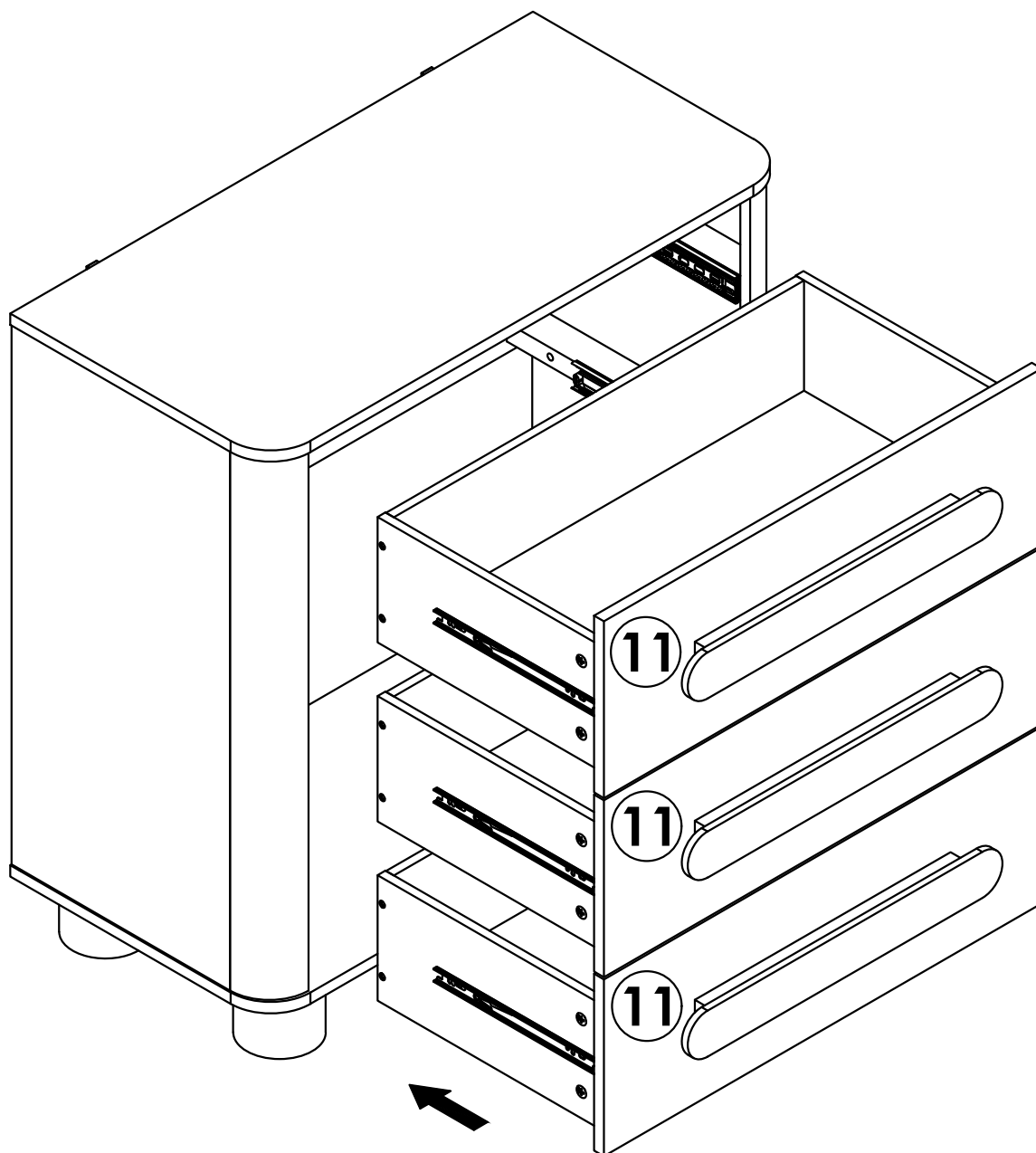


Bx15




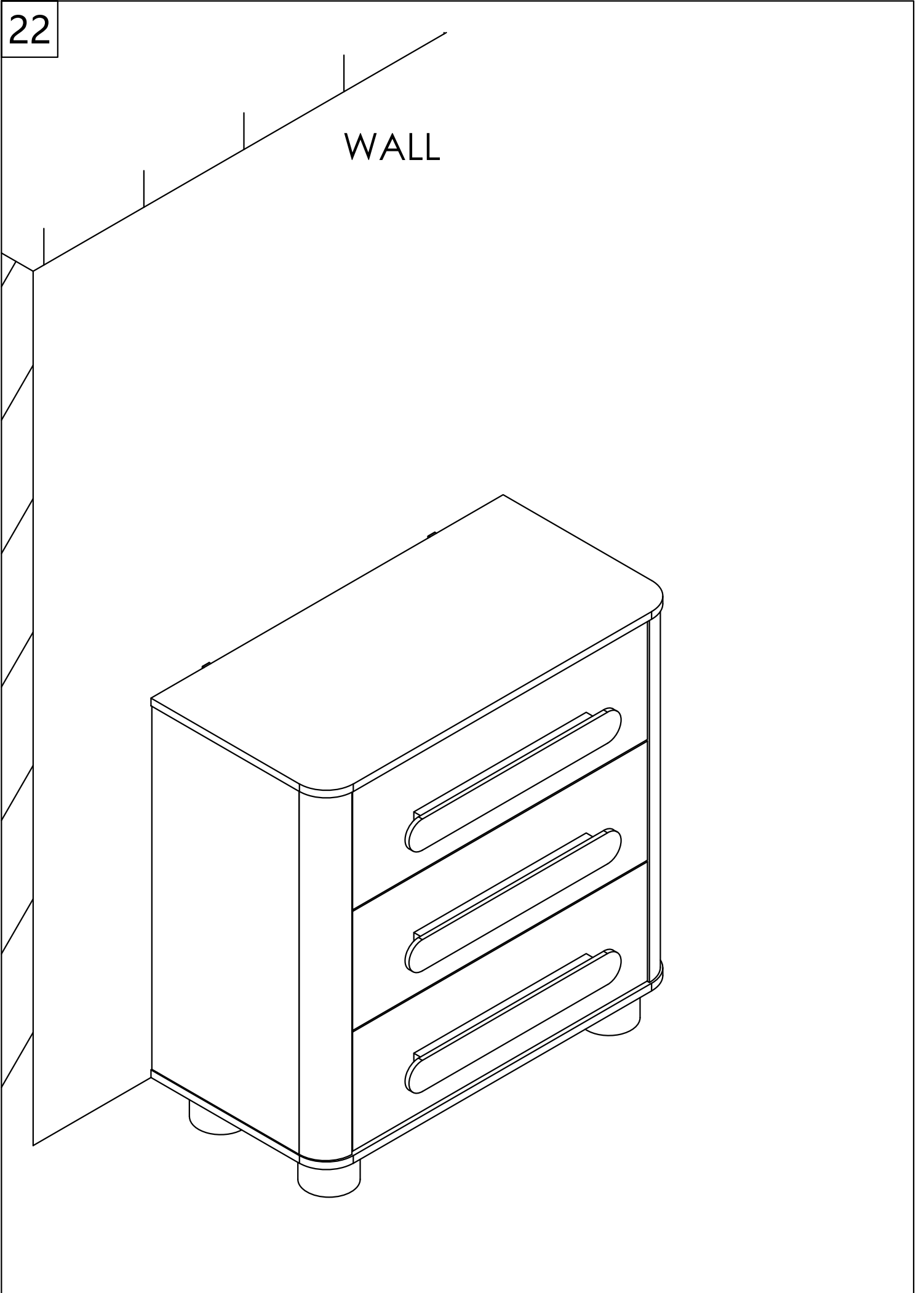
x3

Fx12	Ox6
	

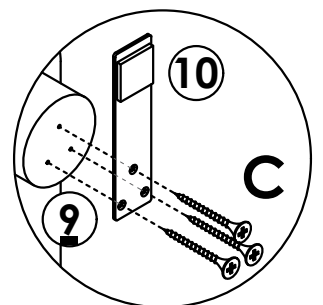
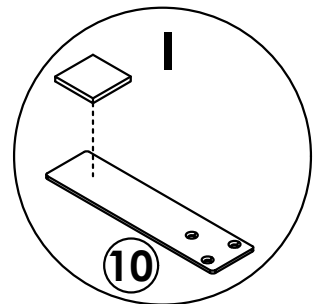
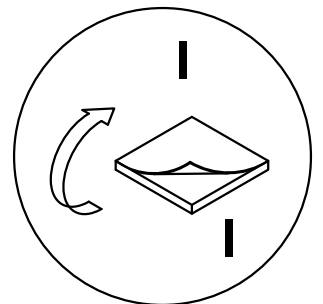
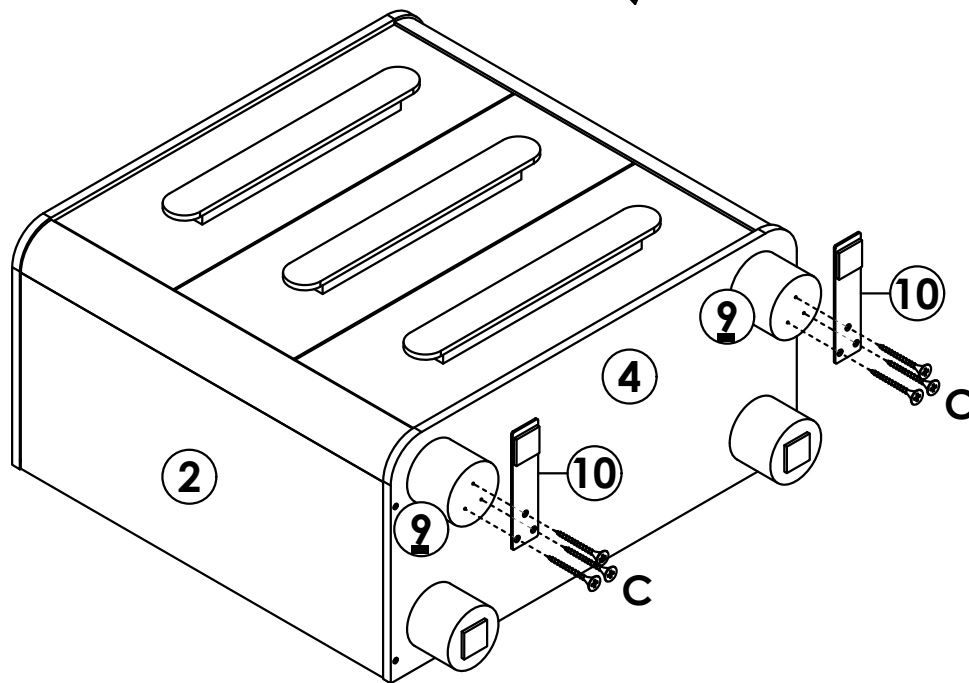
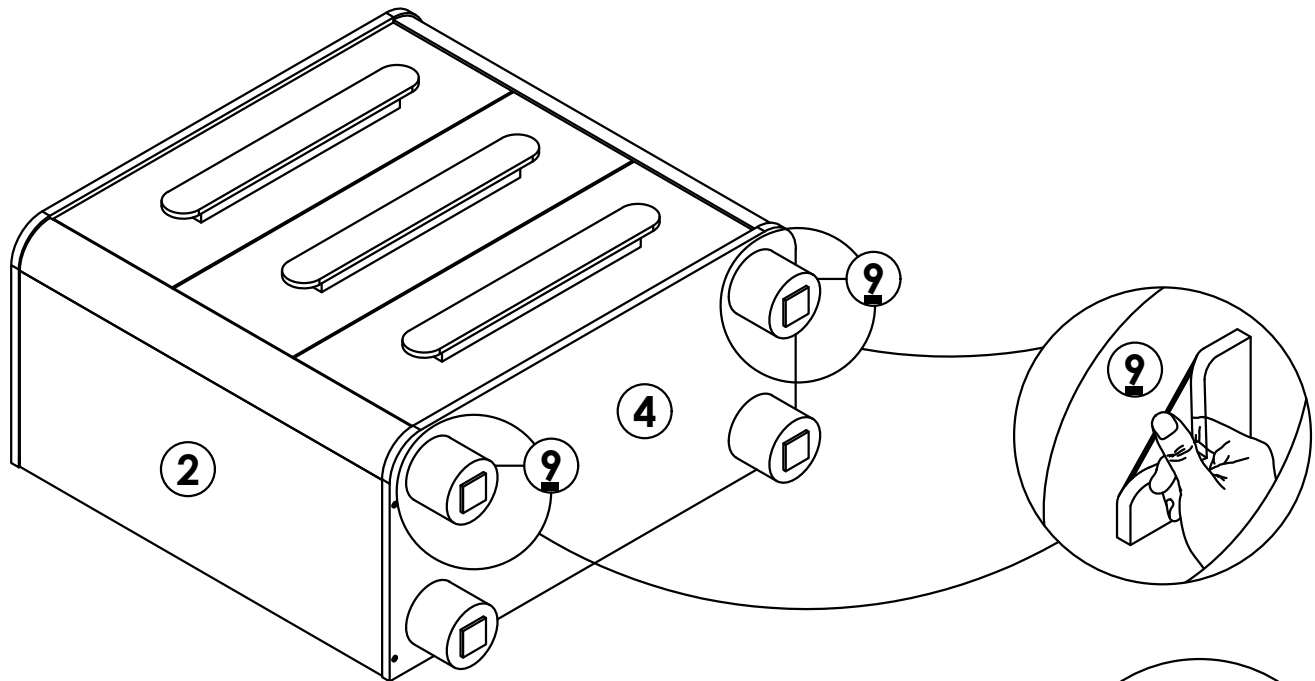


22

WALL



If your usage environment does not support the installation of wall connectors, please be sure to install the anti-forward-tilt stabilizing iron plate.



Cx6	1x2
