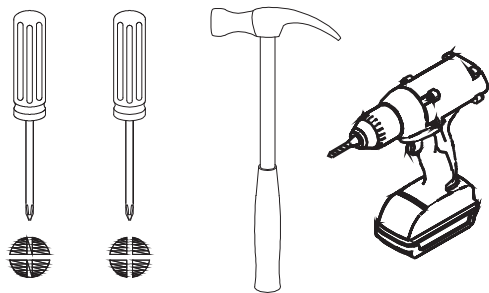
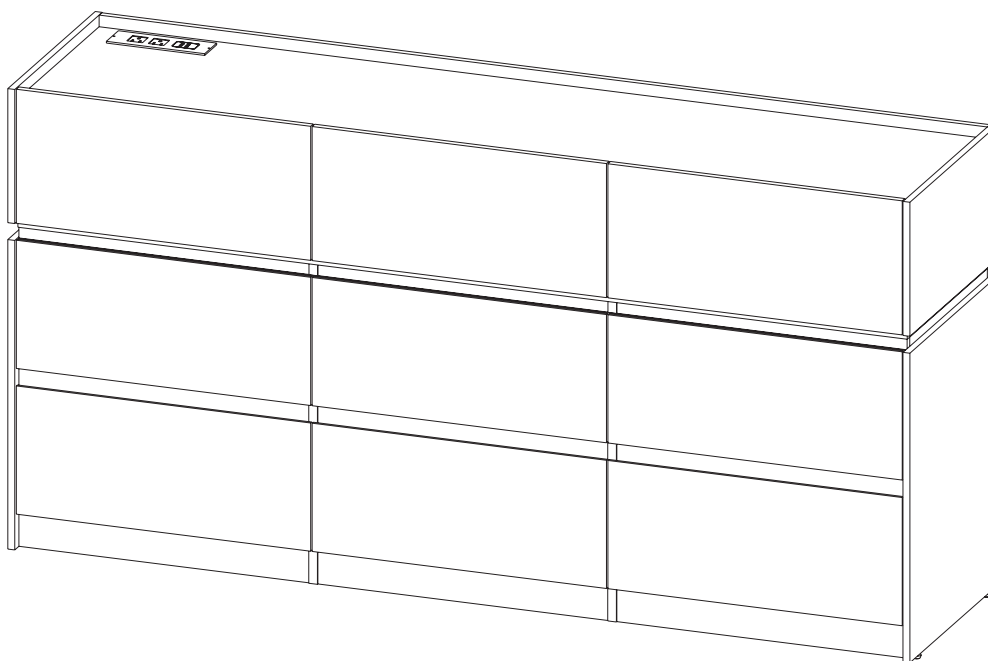
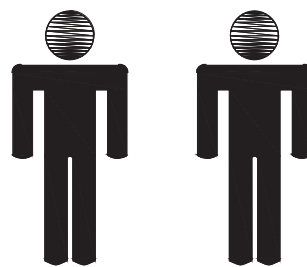


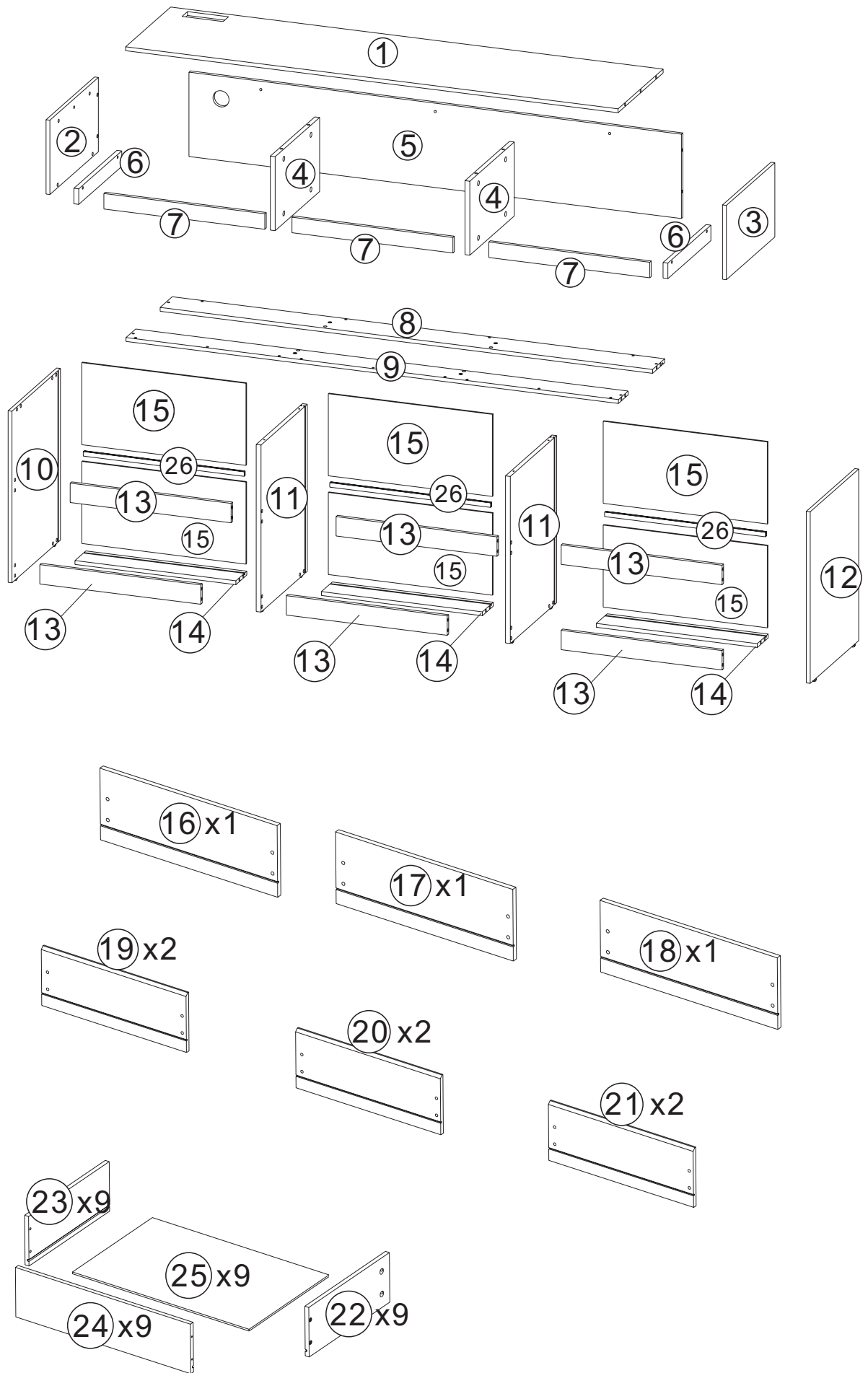
# Installation & Assembly

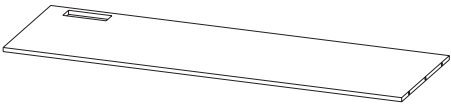
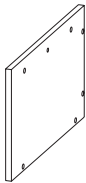
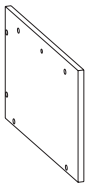
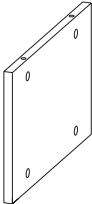
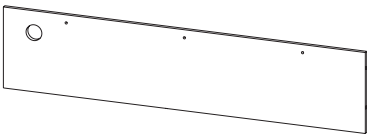
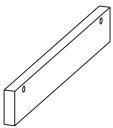





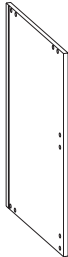
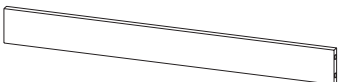
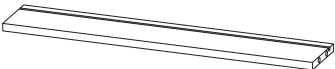
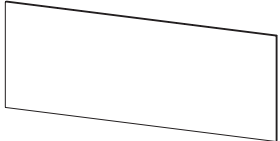
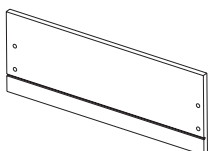
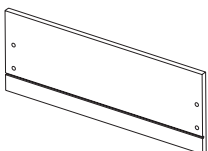
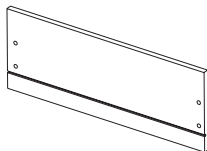
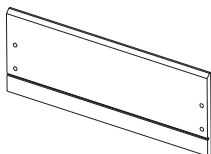
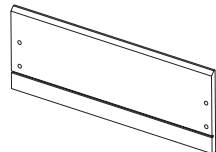
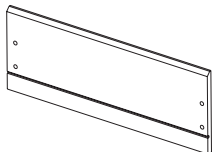
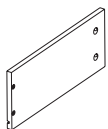
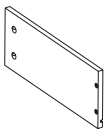
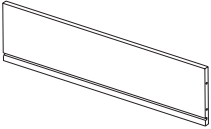
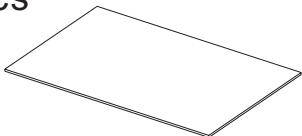



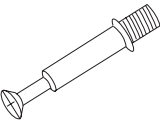

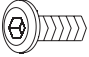



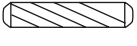





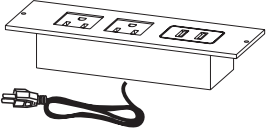
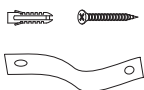

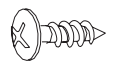

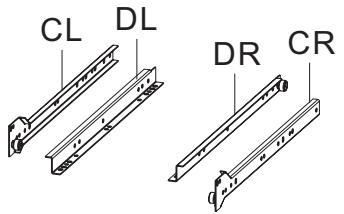


Tools required  
(not included)



2 people for assembly

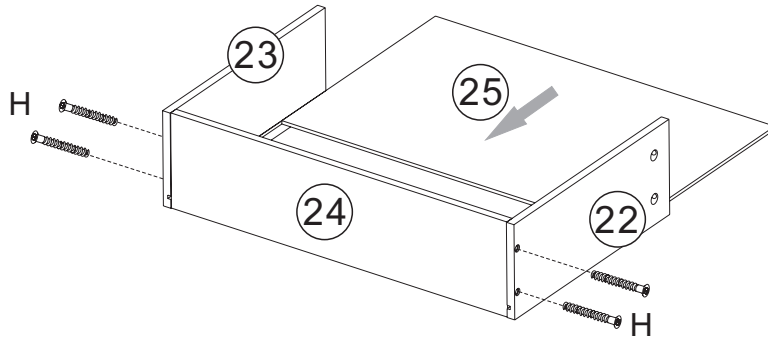


<p>① x1pc</p> 	<p>② x1pc</p> 	<p>③ x1pc</p> 
<p>④ x2pcs</p> 	<p>⑤ x1pc</p> 	<p>⑥ x2pcs</p> 
<p>⑦ x3pcs</p> 	<p>⑧ x1pc</p> 	<p>⑨ x1pc</p> 
<p>⑩ x1pc</p> 	<p>⑪ x2pcs</p> 	<p>⑫ x1pc</p> 
<p>⑬ x6pcs</p> 	<p>⑭ x3pcs</p> 	<p>⑮ x6pcs</p> 
<p>⑯ x1pc</p> 	<p>⑰ x1pc</p> 	<p>⑱ x1pc</p> 
<p>⑲ x2pcs</p> 	<p>⑳ x2pcs</p> 	<p>㉑ x2pcs</p> 
<p>㉒ x9pcs</p> 	<p>㉓ x9pcs</p> 	<p>㉔ x9pcs</p> 
<p>㉕ x9pcs</p> 	<p>㉖ x3pcs</p> 	

<p><b>A</b></p>  <p>96+4PCS</p>	<p><b>B</b></p>  <p>96+4PCS</p>	<p><b>C</b></p>  <p>M6x22mm 4+1PCS</p>	<p><b>D</b></p>  <p>ST3x16mm 24+2PCS</p>
<p><b>E</b></p>  <p>24+2PCS</p>	<p><b>F</b></p>  <p>ST3x12mm 74+4PCS</p>	<p><b>G</b></p>  <p>φ 6x30mm 2PCS</p>	<p><b>H</b></p>  <p>ST5x40mm 60+4PCS</p>
<p><b>I</b></p>  <p>8+2PCS</p>	<p><b>J</b></p>  <p>1PC</p>	<p><b>K</b></p>  <p>1PC</p>	<p><b>L</b></p>  <p>5PCS</p>
<p><b>M</b></p>  <p>1PC</p>	<p><b>N</b></p>  <p>2PCS</p>	<p><b>O</b></p>  <p>ST3.5x12mm 2PCS</p>	<p><b>P</b></p>  <p>ST3x12mm 5PCS</p>
<p><b>Q</b></p>  <p>φ 20 36+2PCS</p>	<p><b>CL DL DR CR</b></p>  <p>9PCS</p>	<p><b>M4</b></p>  <p>1PC</p>	<p><b>M3</b></p>  <p>1PC</p>

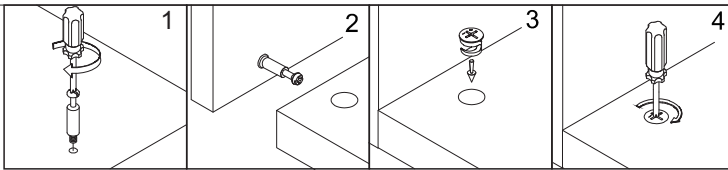
1

Hx36



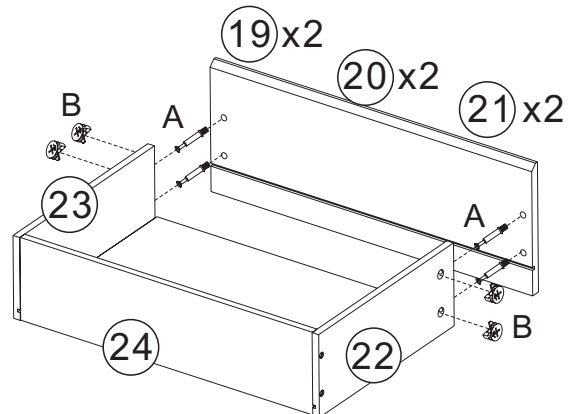
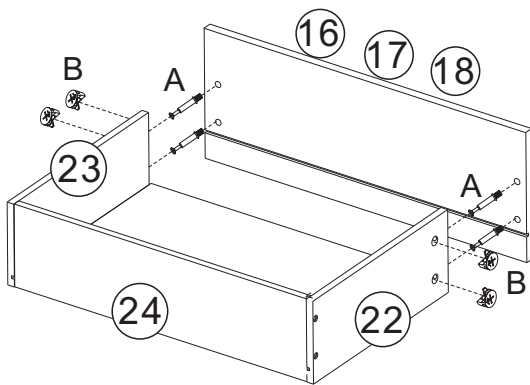
x9

2




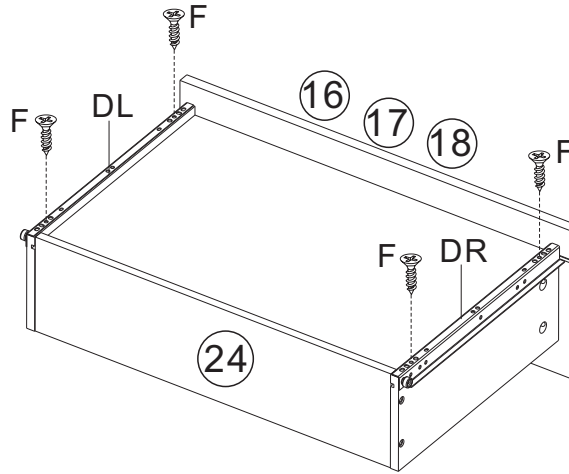
Ax36

Bx36




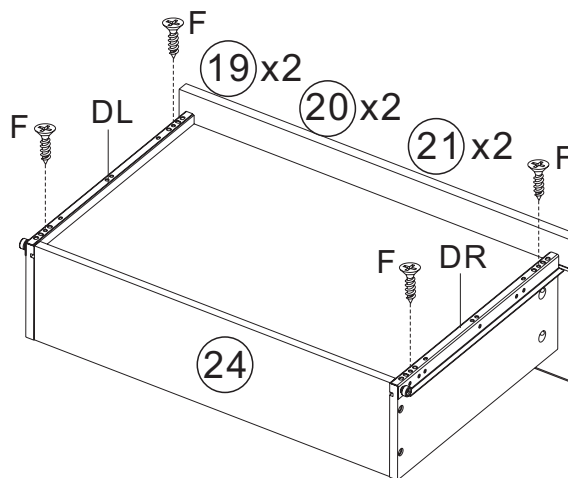
3

x3	Fx12
DL DR	



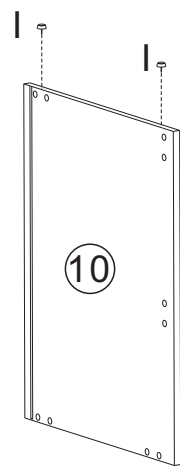
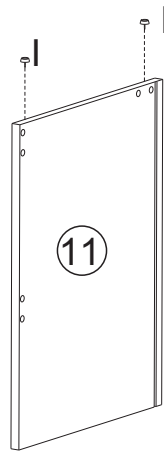
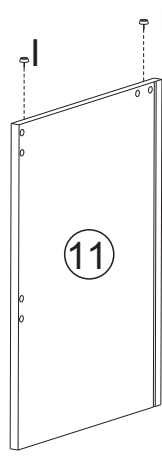
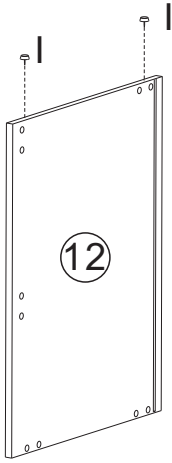
4

x6	Fx24
DL DR	



5

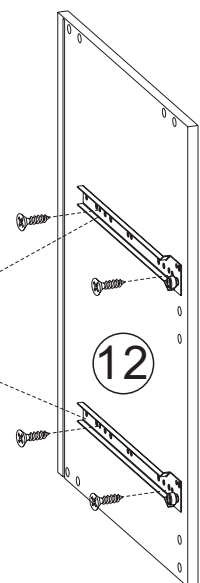
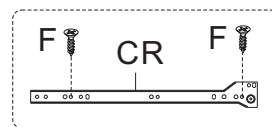
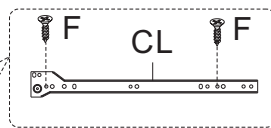
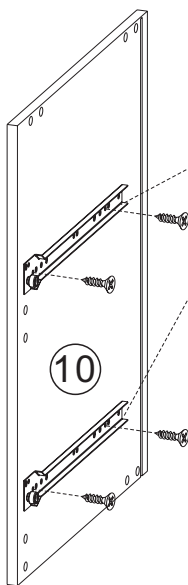
1x8



6

x2

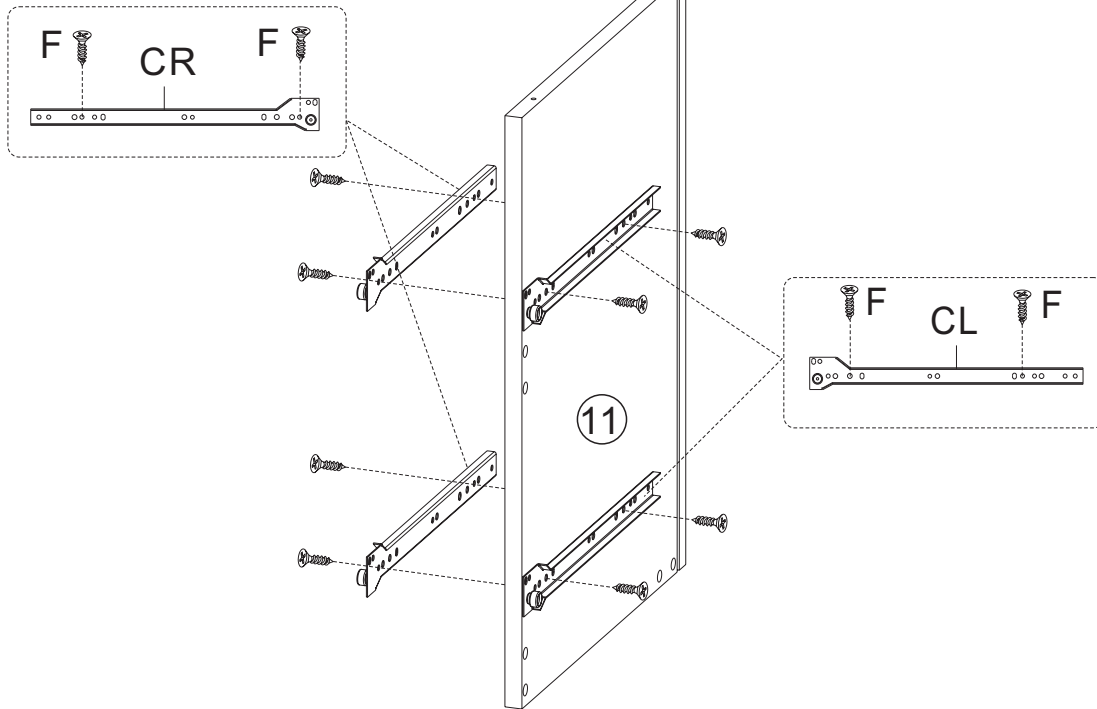
Fx8



7

x4

Fx16

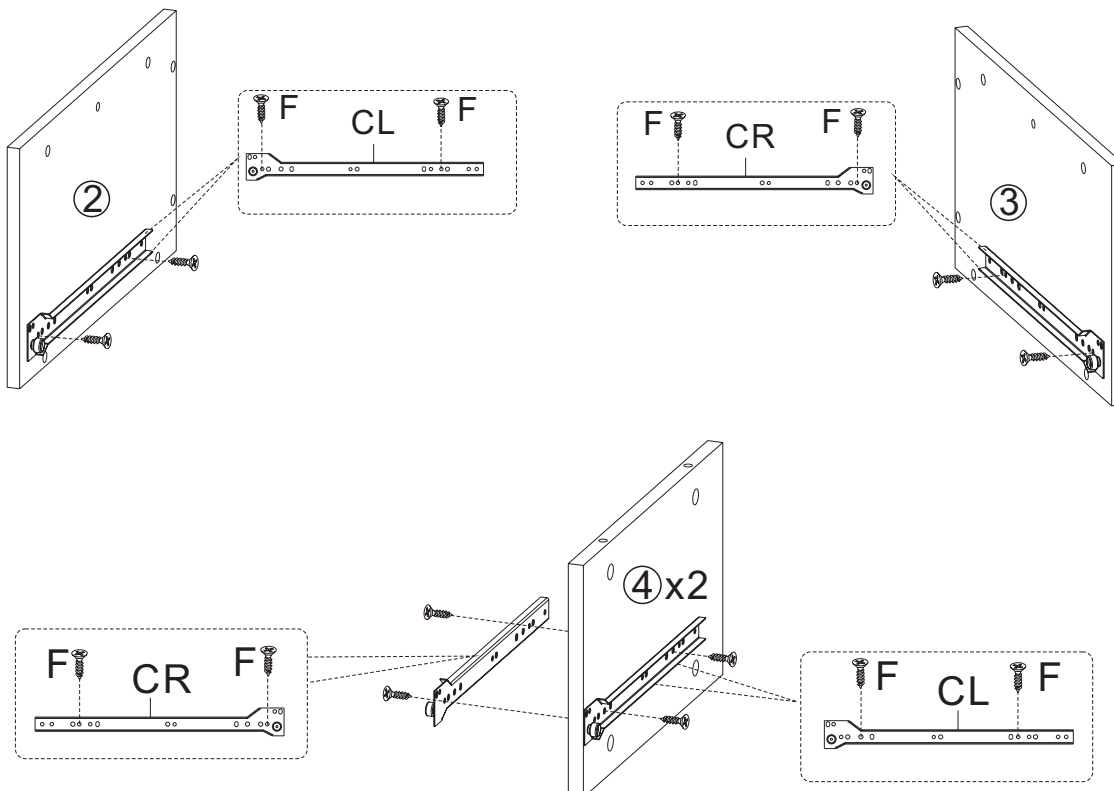


x2

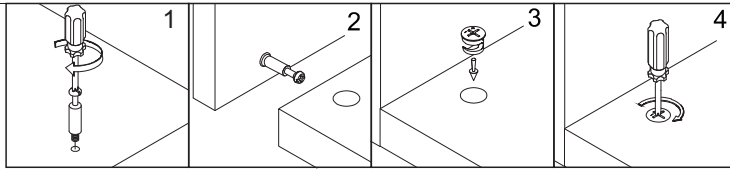
8

x3

Fx12



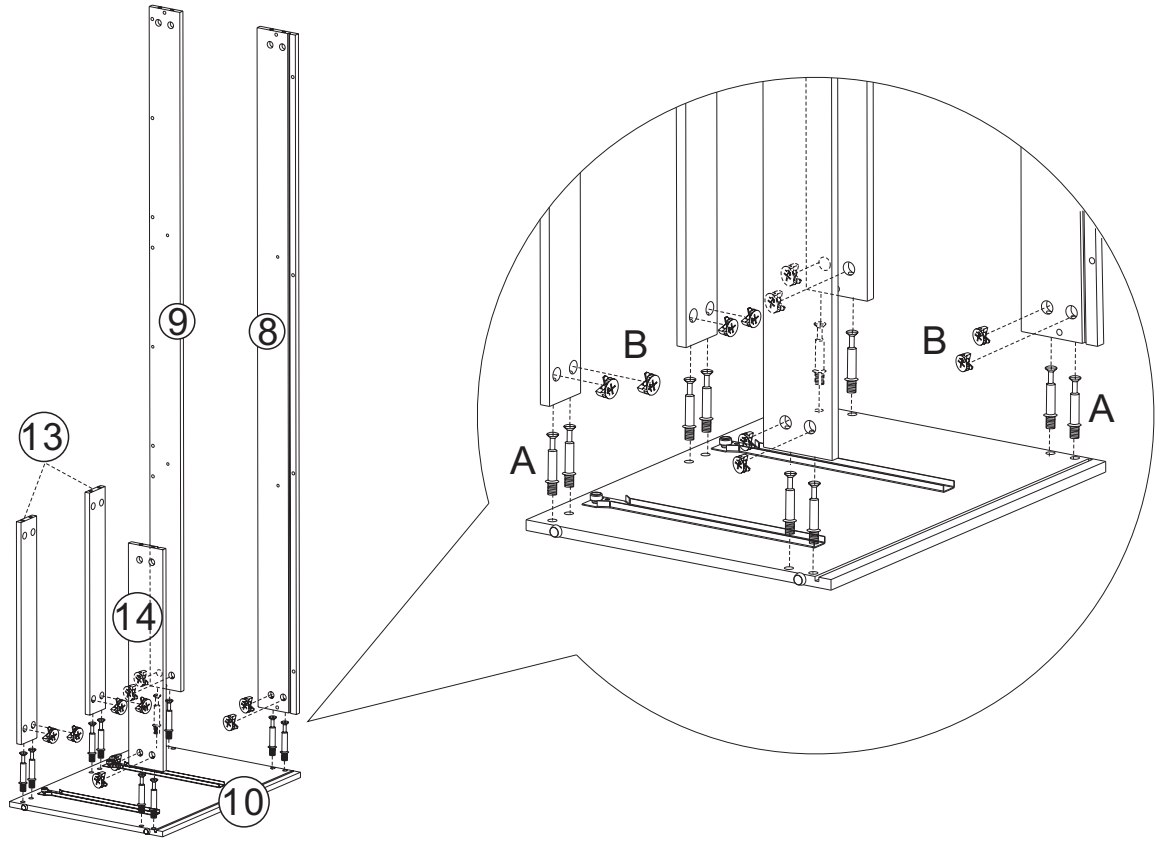
9



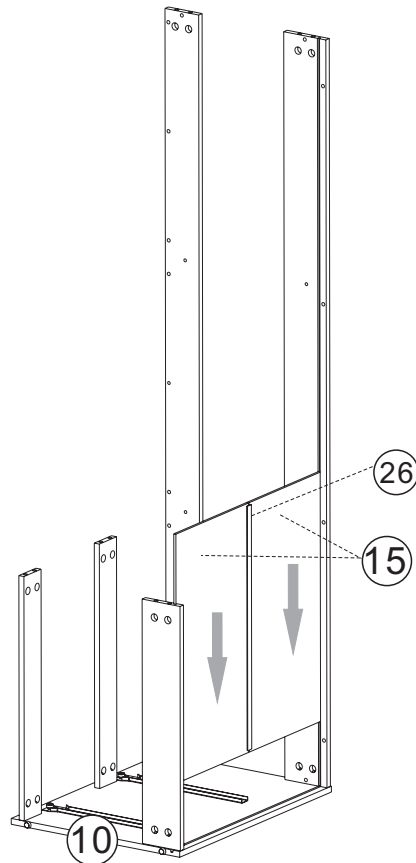
Ax10



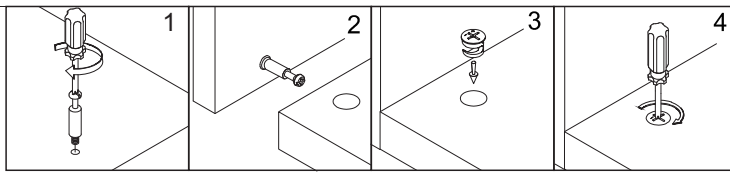
Bx10



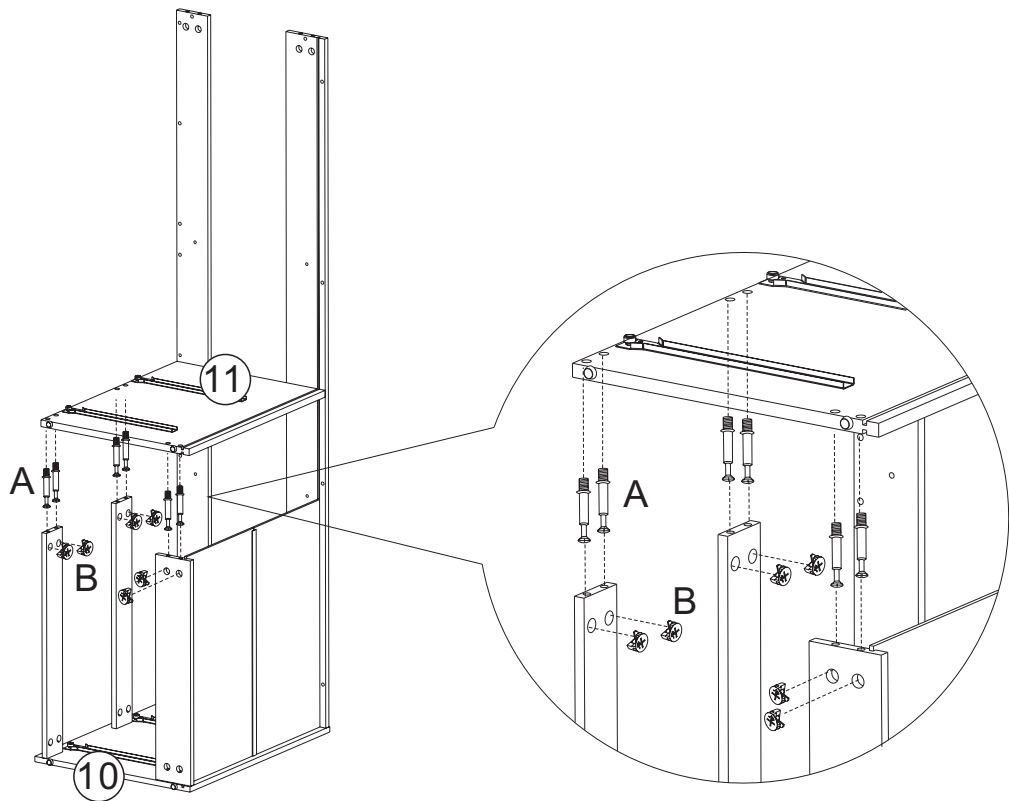
10



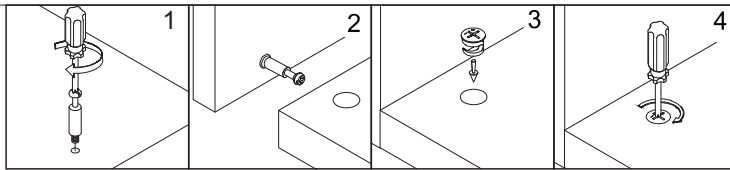
11



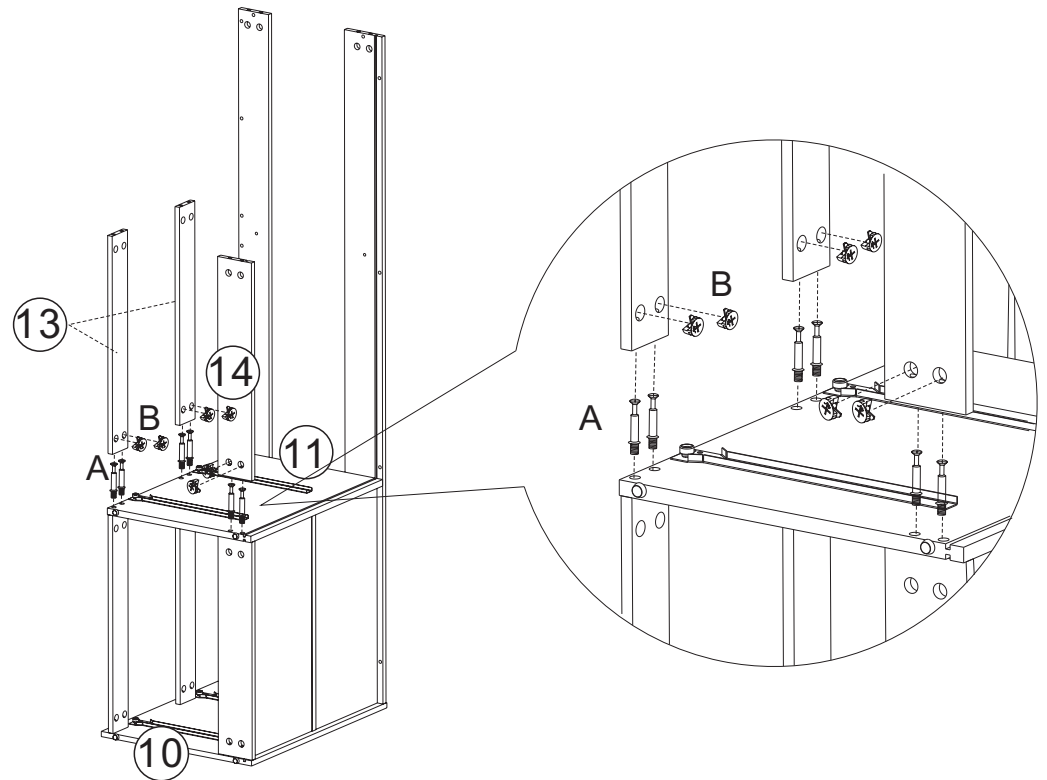
Ax6	Bx6



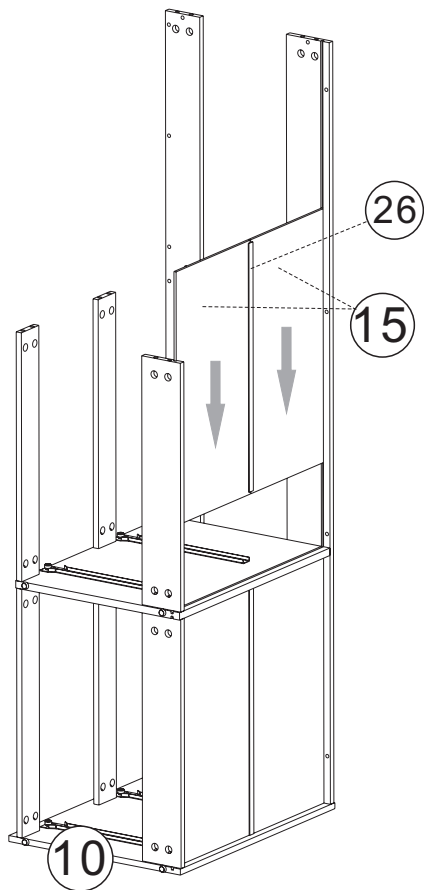
12



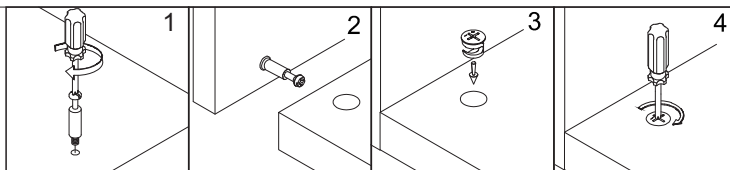
Ax6	Bx6

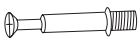



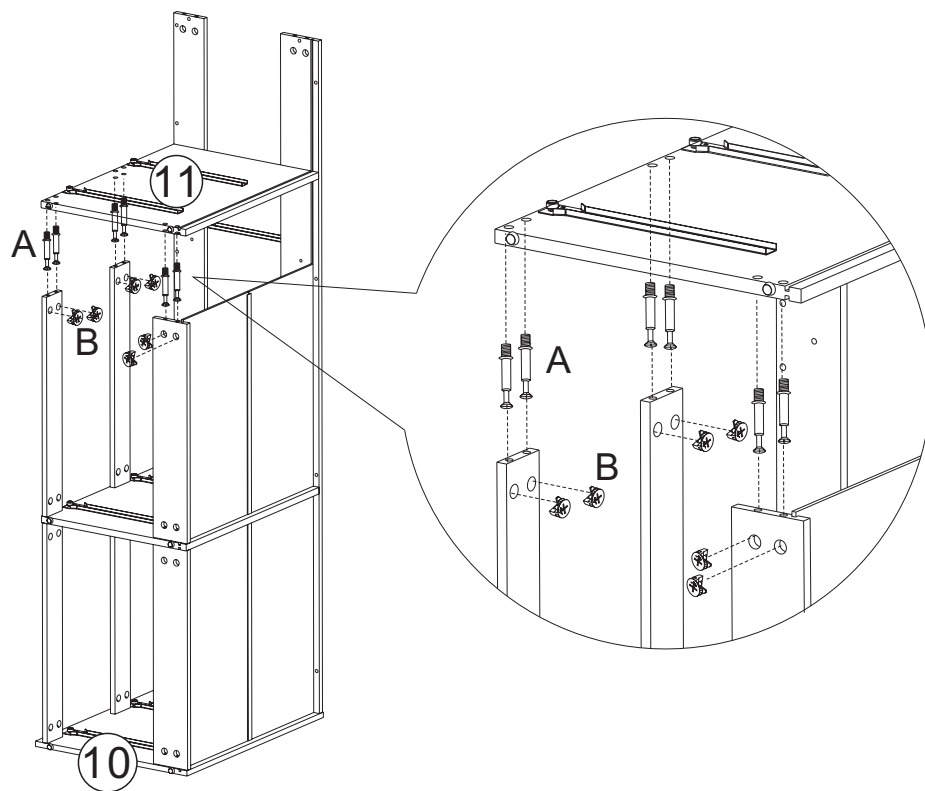
13



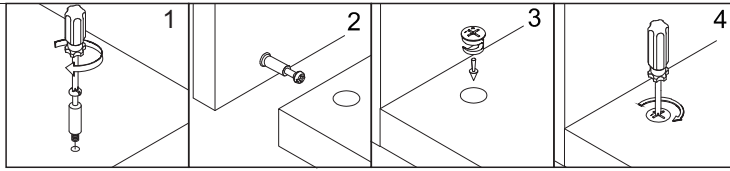
14





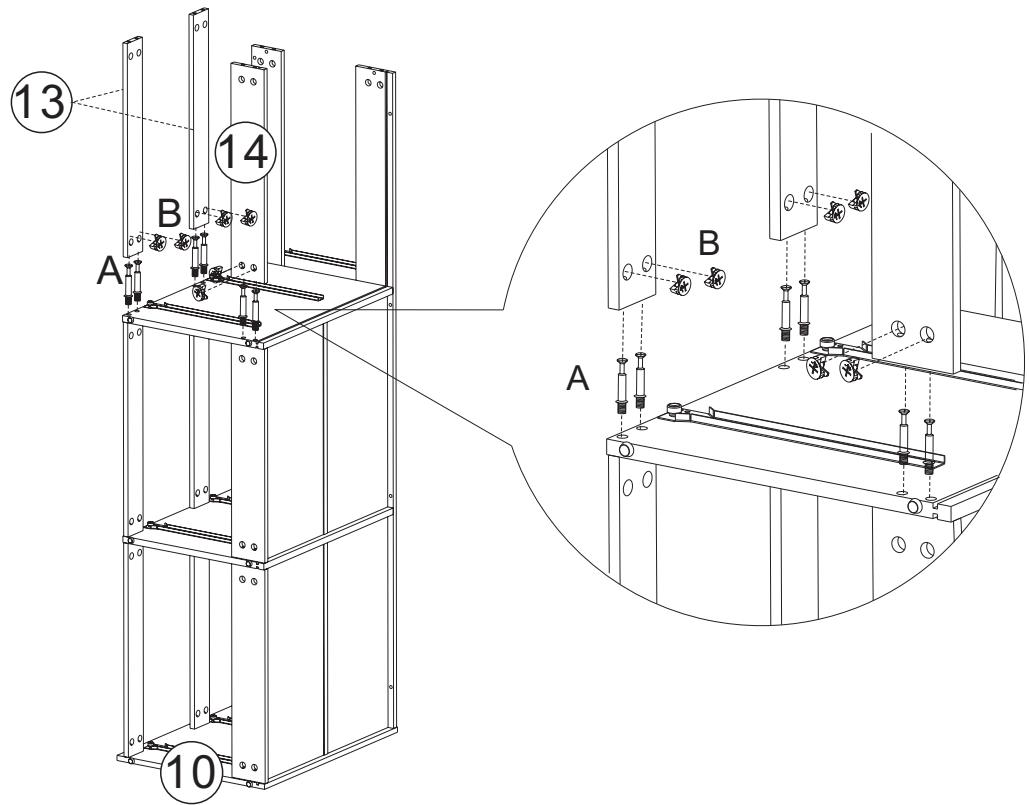
Ax6	Bx6
	



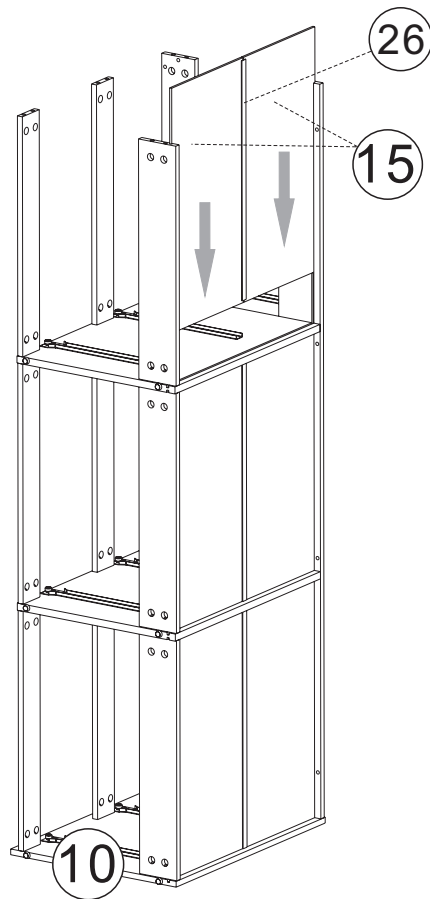
15



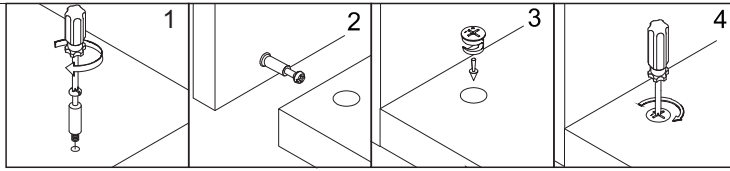
Ax6	Bx6
	



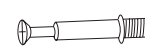
16



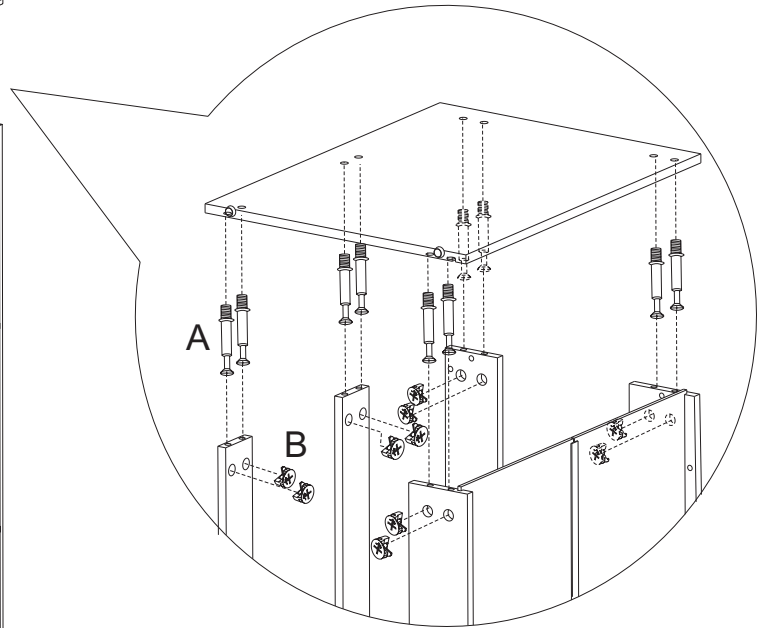
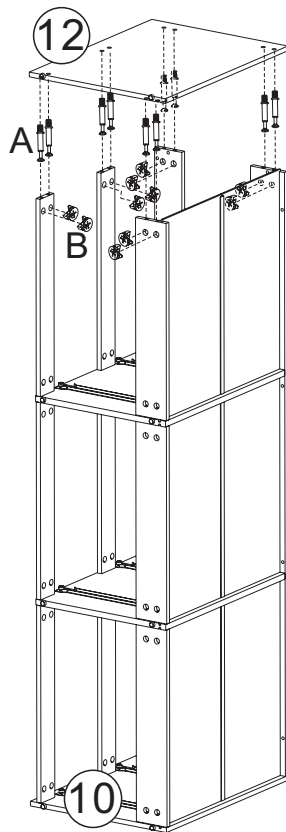
17



Ax10

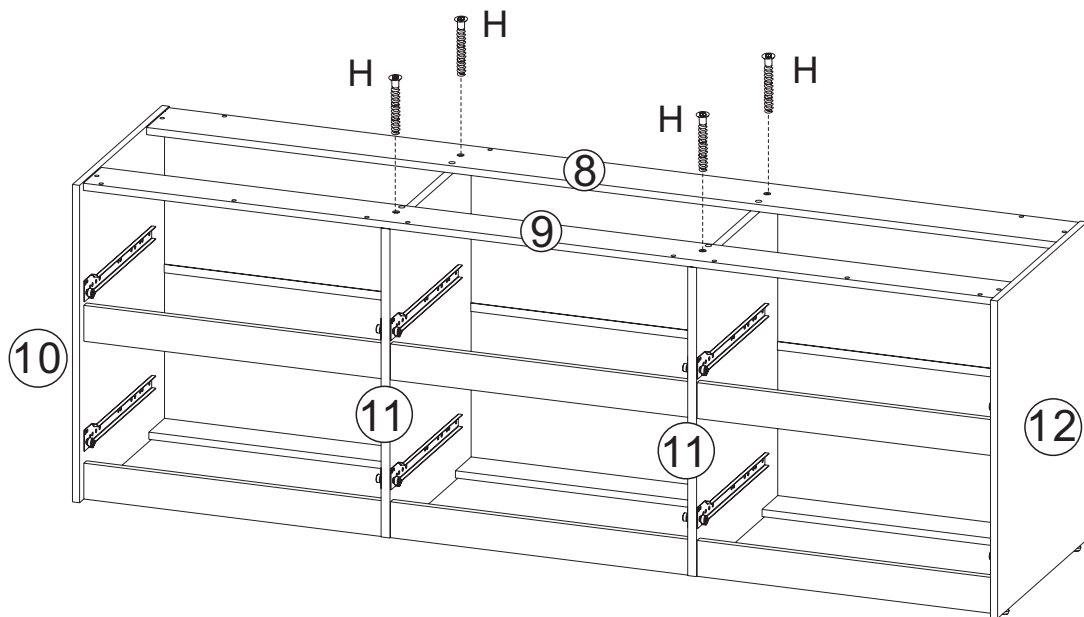


Bx10

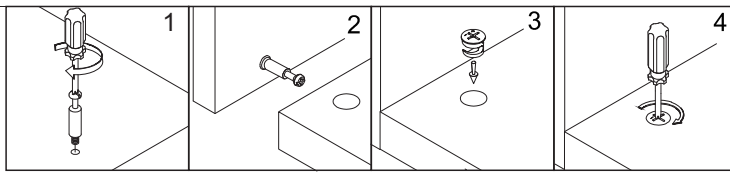


18

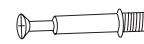
Hx4



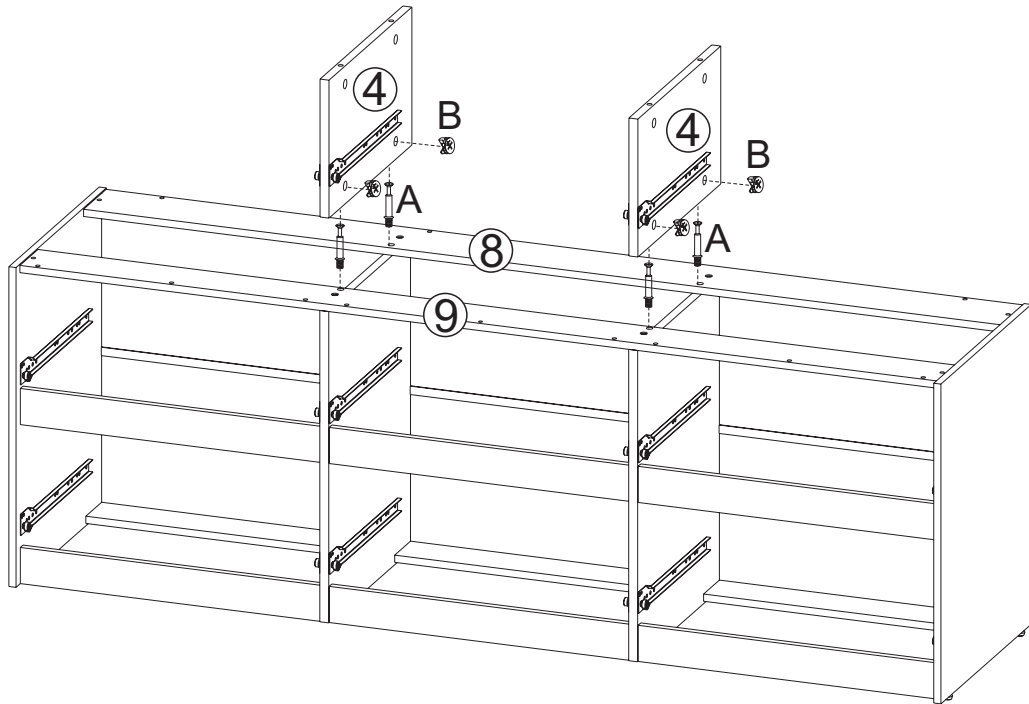
19



Ax4

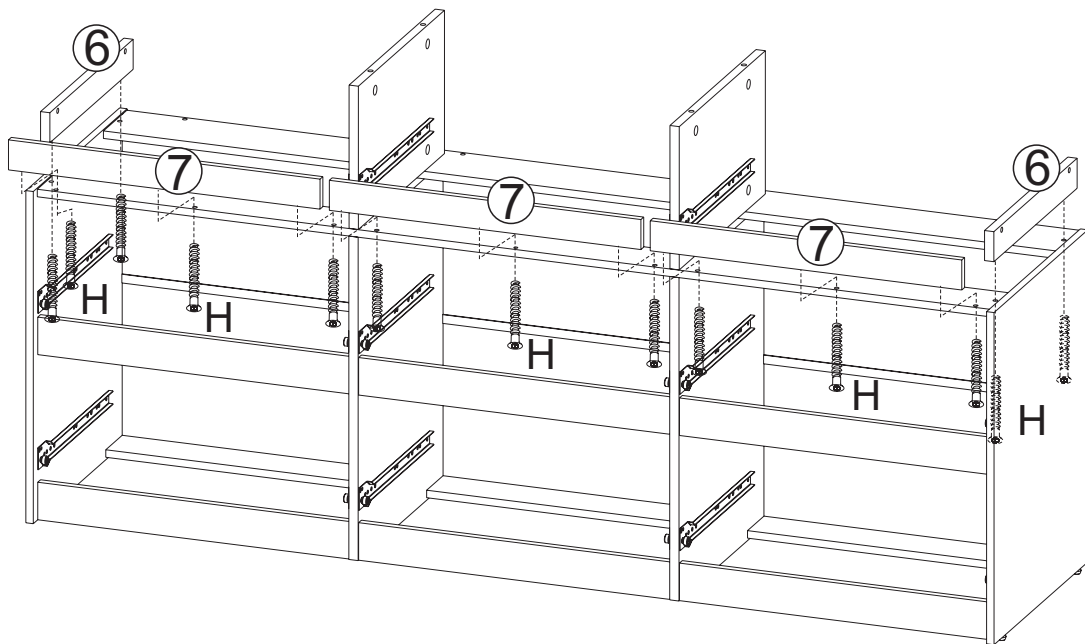


Bx4



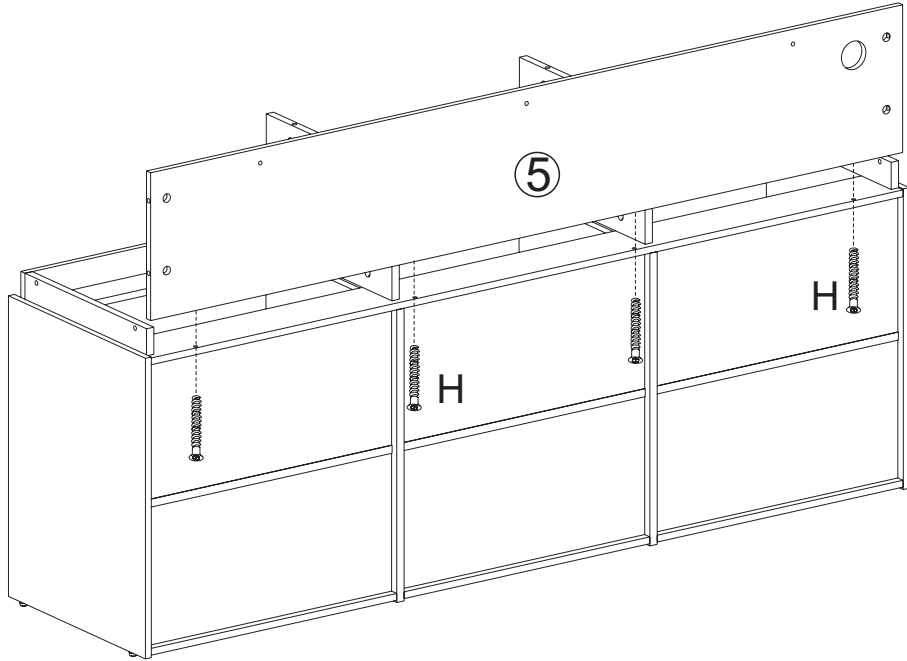
20

Hx13

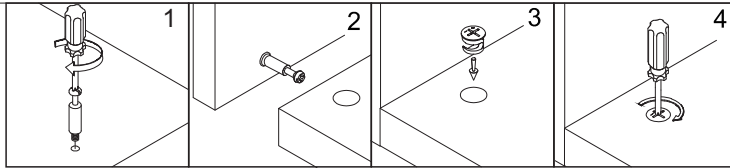


21

Hx4



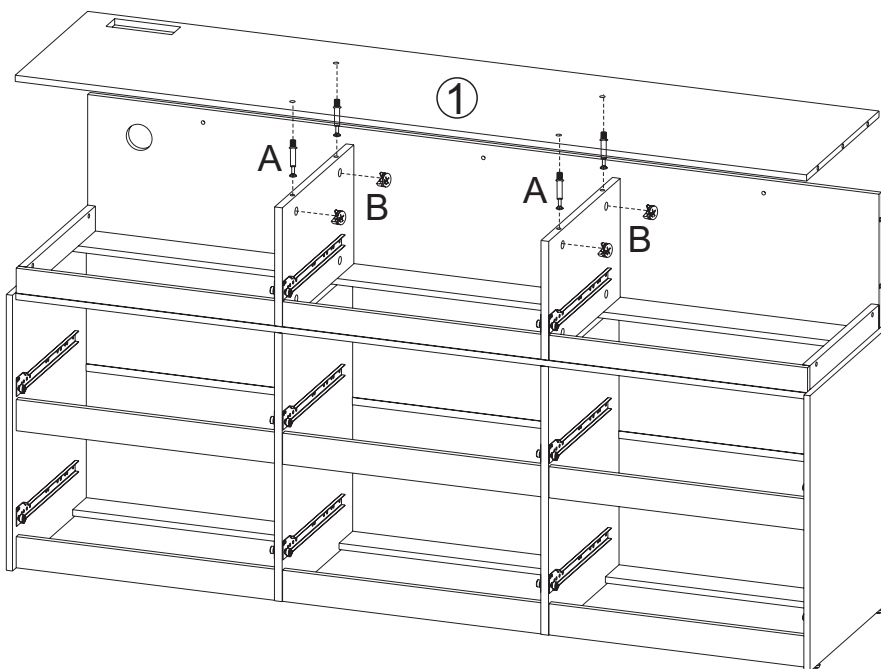
22



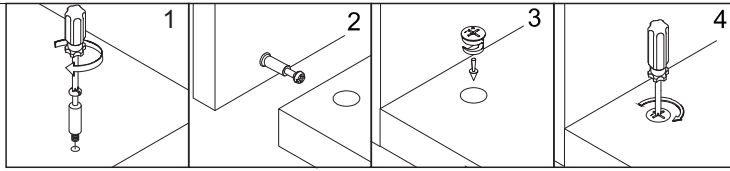
Ax4



Bx4



23



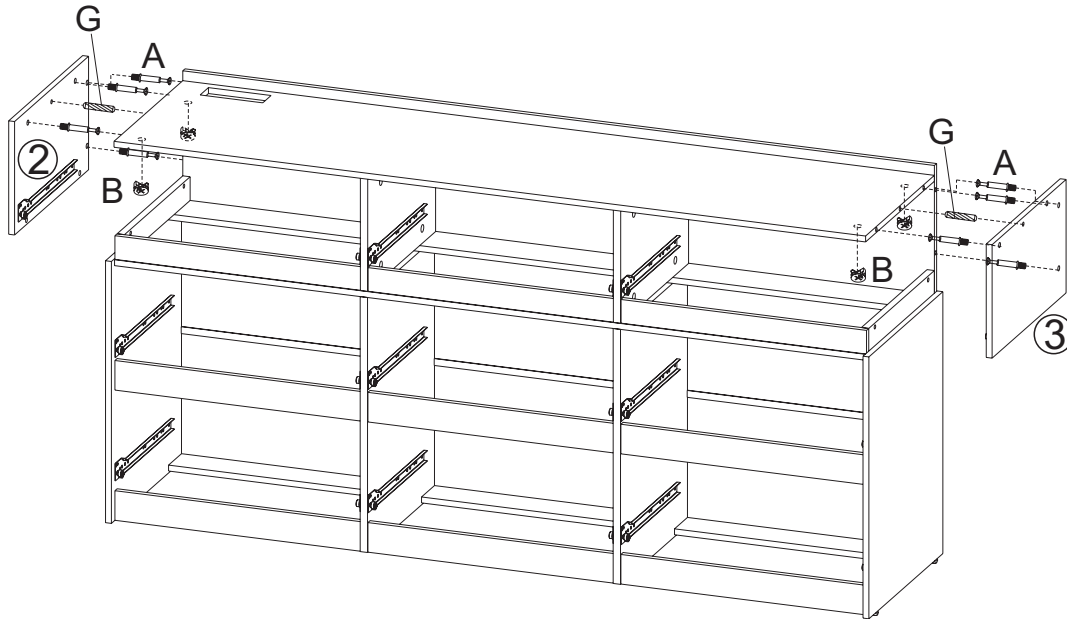
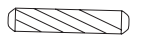
Ax8



Bx4

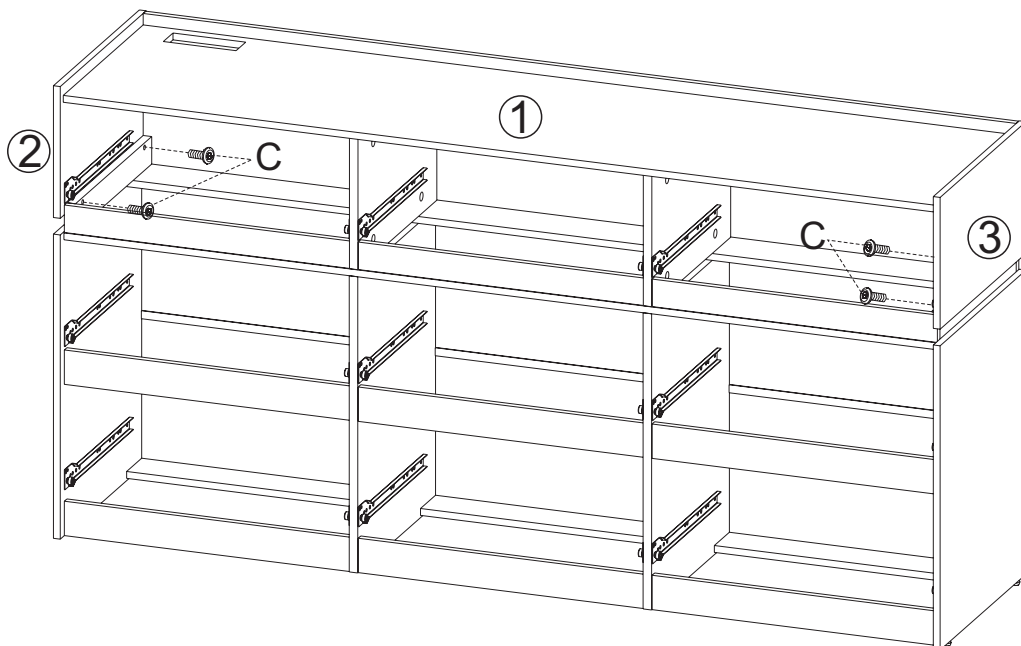
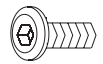


Gx2

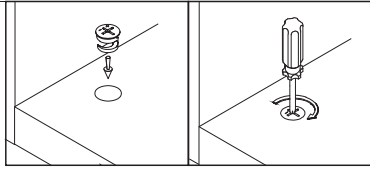


24

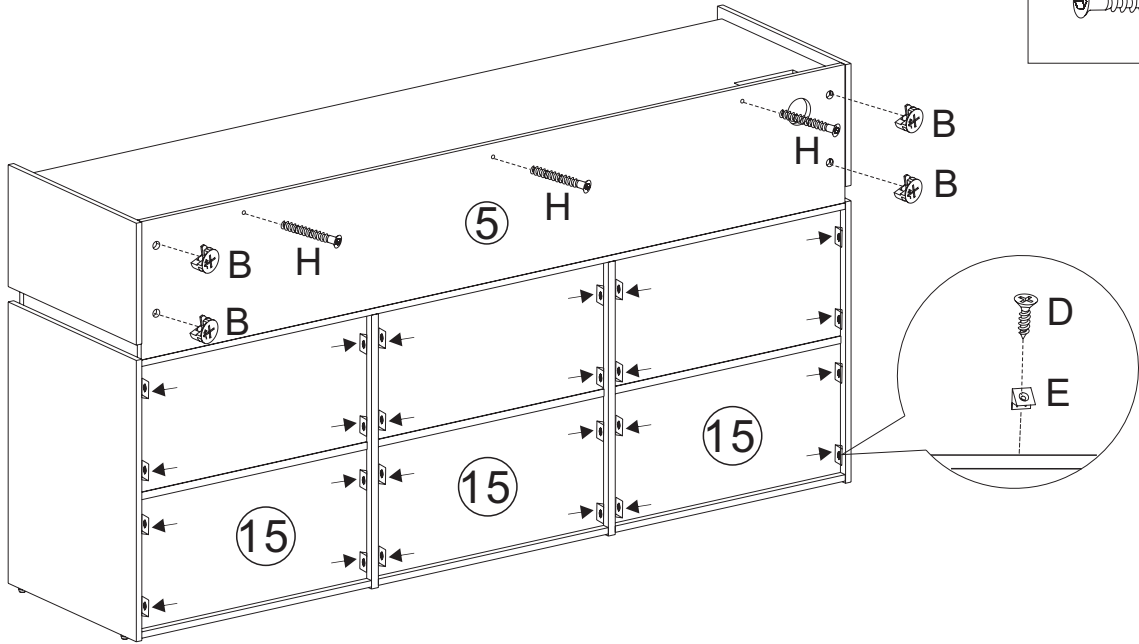
Cx4



25

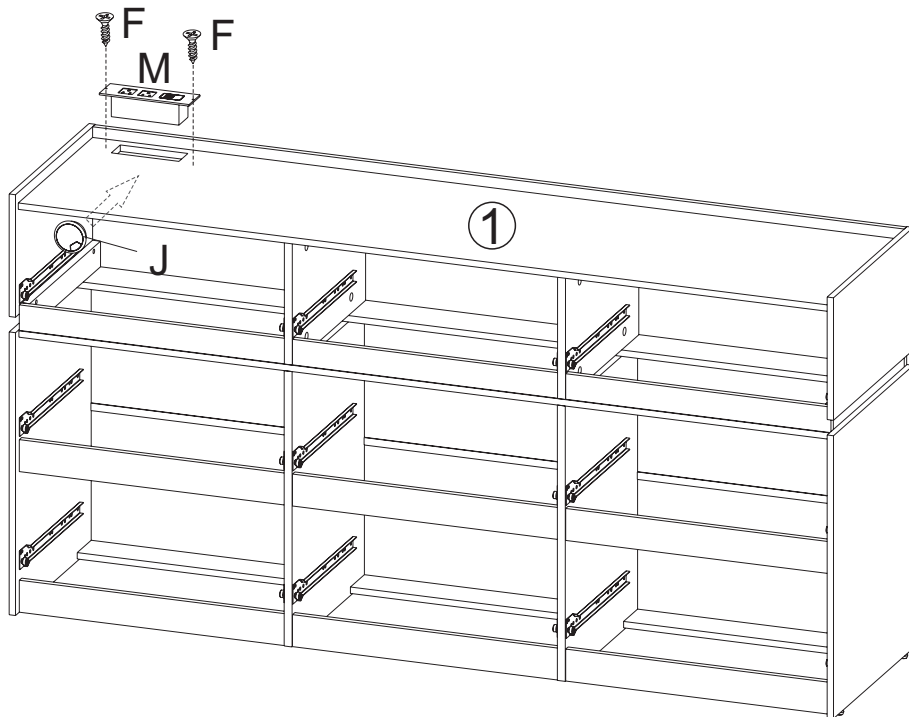


Bx4	Dx24	Ex24
		Hx3



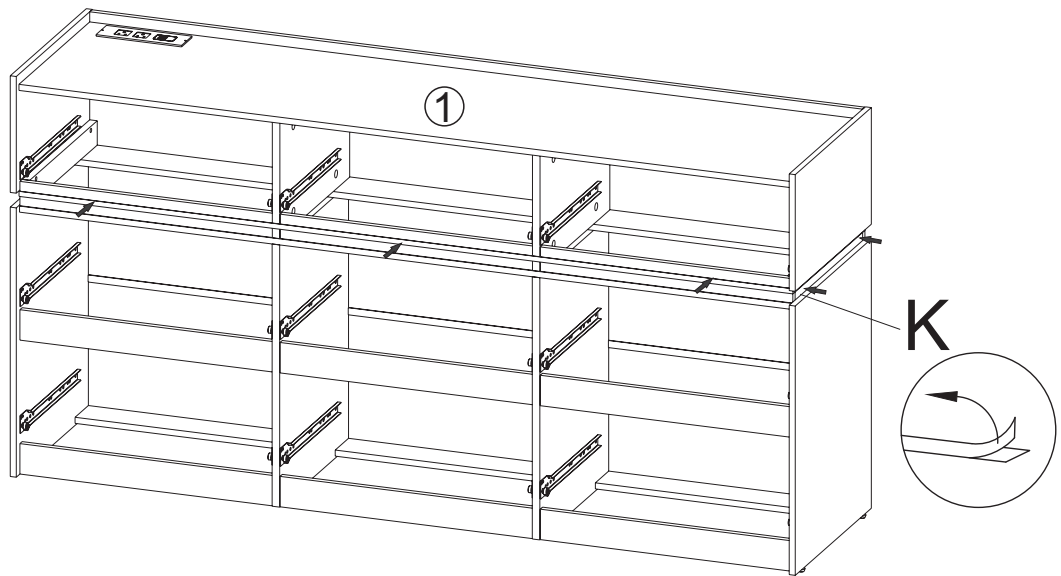
26

Fx2	Mx1	Jx1



27

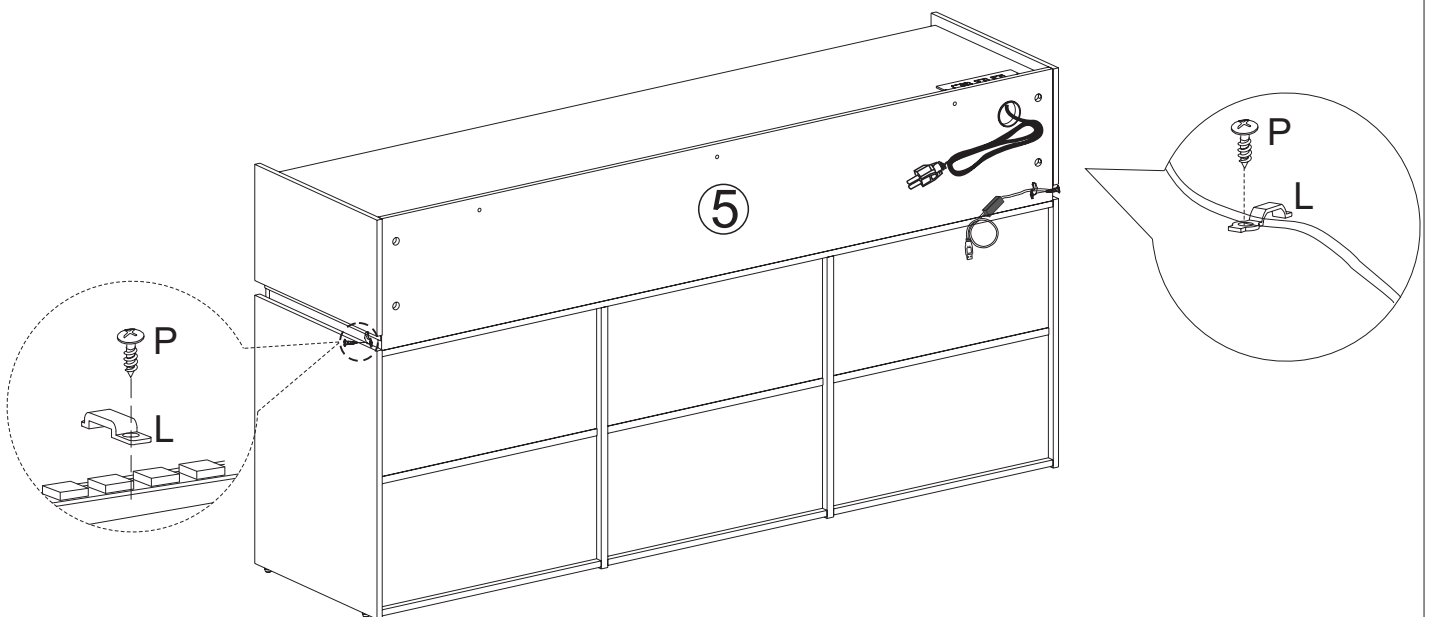
Kx1



28

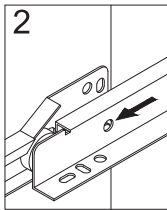
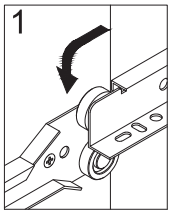
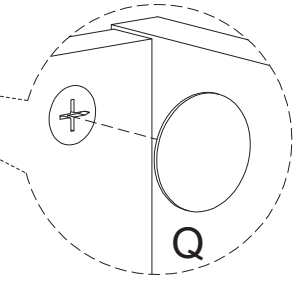
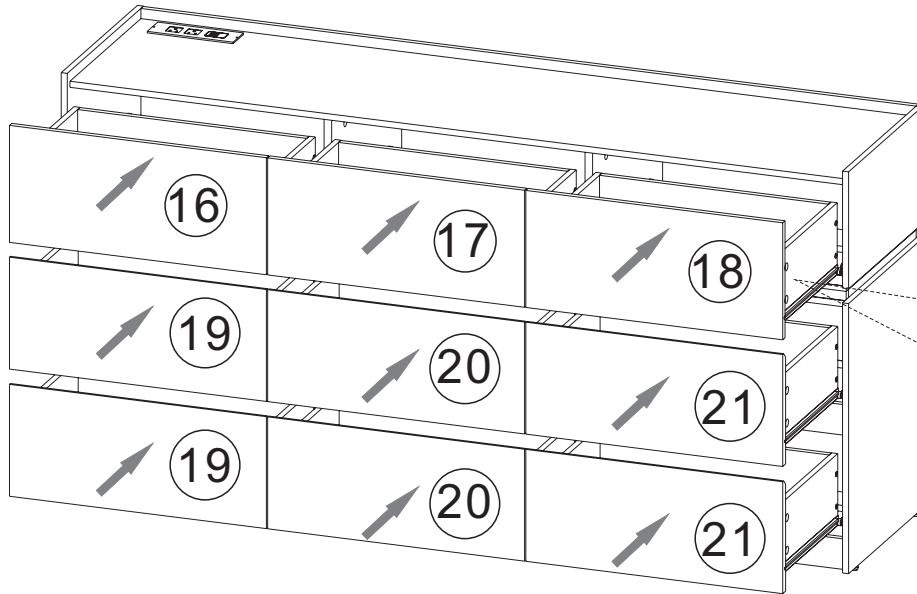
Px2

Lx2



29

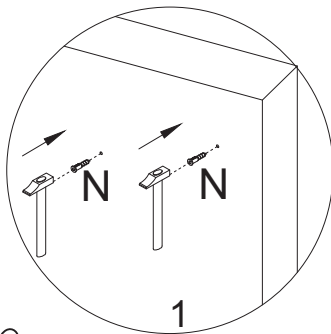
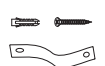
Qx36



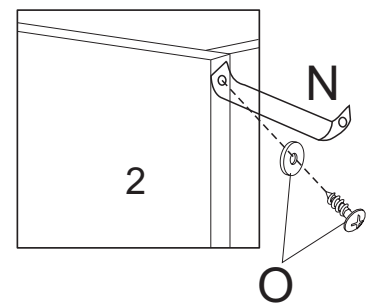
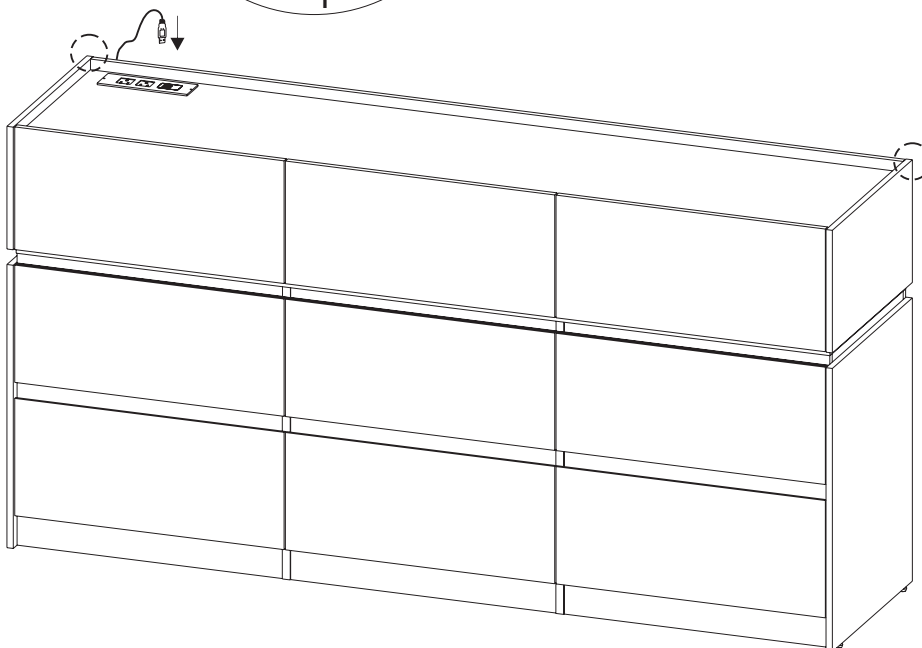
30

Ox2

Nx2

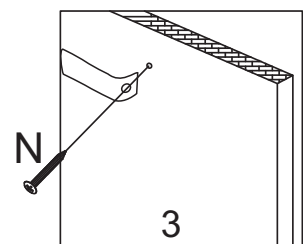


1



2

O



3