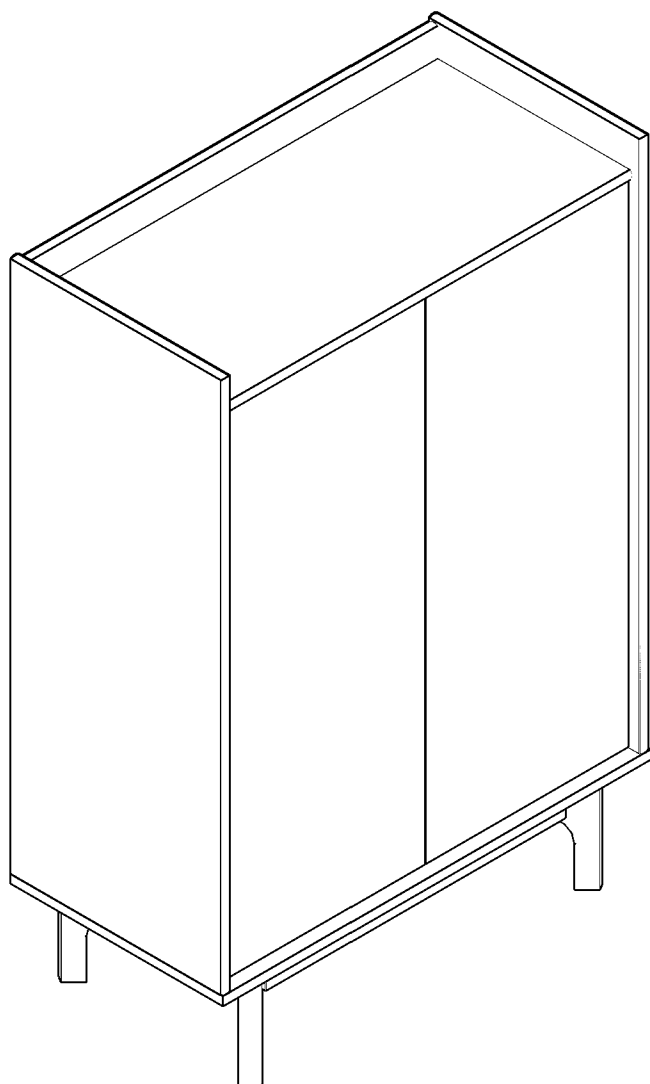


LuxenHöme

Accent Cabinet

SKU WHIF2671



ASSEMBLY INSTRUCTIONS



90 min. assembly
2 person

* The estimated assembly time may vary depending on the individual.

Hey, there

Now is assembly time!

Deeeeeeep breathe.... and again....

Tools ready,
Easy peasy!

Estimated




90 min. assembly
2 person

Tools Required

- Allen Wrench(included)
- Phillips screwdriver(not included)
- Hammer(not included)
- Power Drill(not included)
- Drill bit(not included)

important.Cautious when you use power tools

Need Help?

 Call us at +1 909 548 6688

 Email customerservice@luxenhome.com

 Submit a ticket on www.luxenhome.com/help

Thank you for purchasing this LuxenHome product. This product has been manufactured with the highest standards of safety and quality.

PLEASE READ ALL INSTRUCTIONS CAREFULLY BEFORE ASSEMBLY.

Unpack all parts from the packaging inside the carton to ensure there are no missing or damaged parts. Lay out all the parts on a clean, flat, and soft surface to prevent scratches. Refer to the steps provided as assembling guide.

Do not attempt to assemble or use the product if any parts are missing or damaged.

Please save this manual for future reference.

REMINDERS

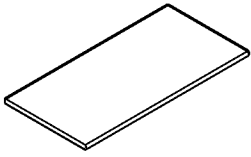
SAFE USAGE IS KEY

Your well-being is our top priority when you use our product. Please prioritize your safety by diligently following the assembly guidelines and inspecting the product carefully both when it arrives and before each use. Please be aware that LuxenHome and Winsome House, Inc. cannot be held liable for any injuries or fatalities that occur due to not adhering to the provided instructions or misuse of the product.

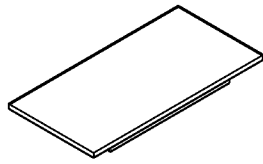
DO NOT MODIFY

Our products undergo rigorous testing to ensure they meet established safety standards before being released for sale. Altering the product in any way can lead to serious safety concerns, for which LuxenHome cannot assume responsibility.

Furniture components:



① Top Panel x1



② Bottom Panel x1



③ Side Panel (L) x1



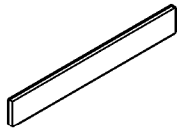
④ Side Panel (R) x1



⑤ Internal Support Panel x1



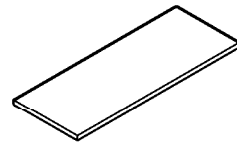
⑥ Top Support Panel x1



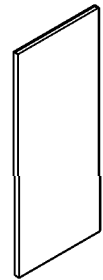
⑦ Back Support Panel x1



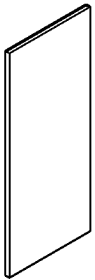
⑧ Back Mdf Board x2



⑨ Shelf Panel x2



⑩ Door Panel (L) x1

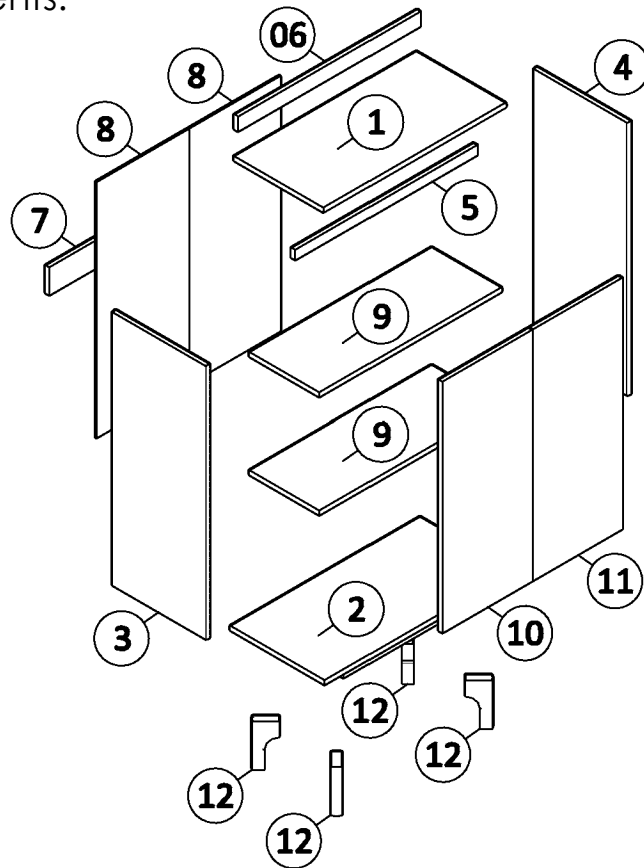


⑪ Door Panel (R) x1






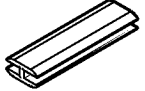
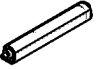










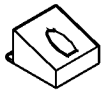


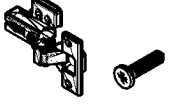






⑫ Leg Panel x4

Furniture components:



Provided hardware:

-  **A** Cam Pin x6
-  **B** Cam Lock x6
-  **C** Wood Dowel M8x30MM x16
-  **D** Iron Shelf Support x8
-  **E** Screw M6X50MM x4
-  **F** Pc H Rail x1
-  **G1** Push Open Magnet x2
-  **G2** Push Open Magnet x2
-  **G3** Washer x2
-  **G4** Plug x2
-  **G5** Screw M3x11MM x2
-  **H** Screw M7x50MM x8
-  **I** White Leg Pin x4
-  **J** Screw M4x45MM x3
-  **K** Screw M3.5x16MM x8
-  **L** Screw M4x30MM x1
-  **M** Stopper Insert x1
-  **N1** Stub x8
-  **N2** Screw M3x20MM x8
-  **O** Allen Key x1
-  **SH 78** Hydraulic Hinges 7/8" x6 M3.5x16MM x36
-  **PE LD1** L Bracket L65xW15x H32xT1MM x2
-  **PE LD2** Wall Plug M5x30MM x2
-  **PE LD3** Screw M4x30MM x2
-  **PE LD4** Screw M3.5x16MM x2

Step 1

Installing Push Magnet Base Kit on Component 1

Prepare Component 1: Place Component 1 (top panel) with the hole facing upwards.

Install Push Magnet Base Kit: From the hardware G pack, take the Push Magnet Base Kit. Align G2 hole with the hole on the top panel of Component 1.

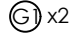
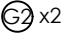
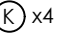
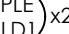
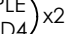
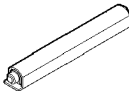
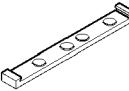
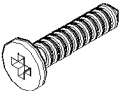
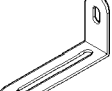
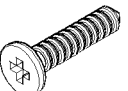
Secure with Screw: Use an M3.5 x 16mm screw and a screwdriver to tighten and secure the Push Magnet Base Kit to the top panel.

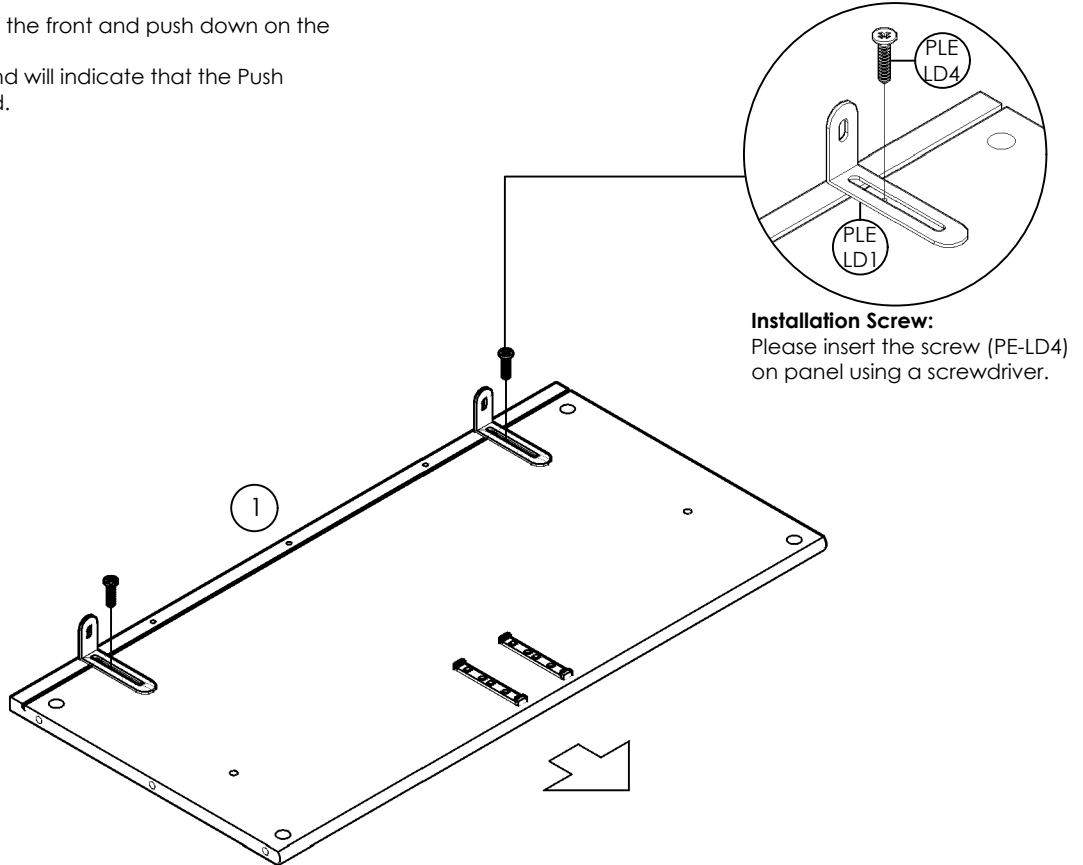
Inserting the Push Magnet

Insert Push Magnet: After installing the Push Magnet Base Kit, take the Push Magnet G1.

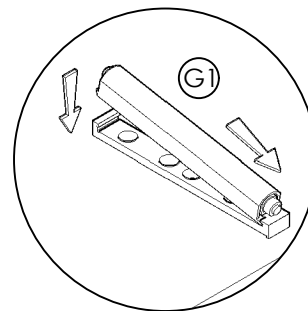
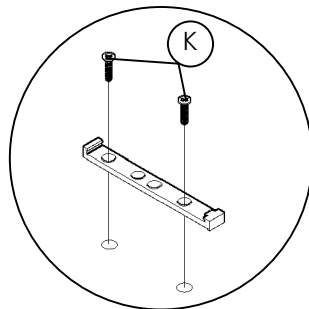
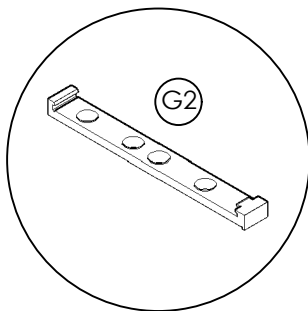
Slot and Push: Slot it in from the front and push down on the back side.

Listen for Click: A click sound will indicate that the Push Magnet is properly installed.

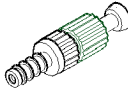
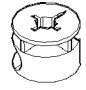
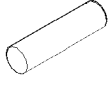
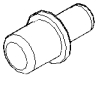
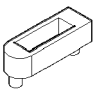
 x2	 x2	 x4	 x2	 x2
		 M3.5x16MM		 M3.5x16MM



Installation Screw:
Please insert the screw (PE-LD4) on panel using a screwdriver.

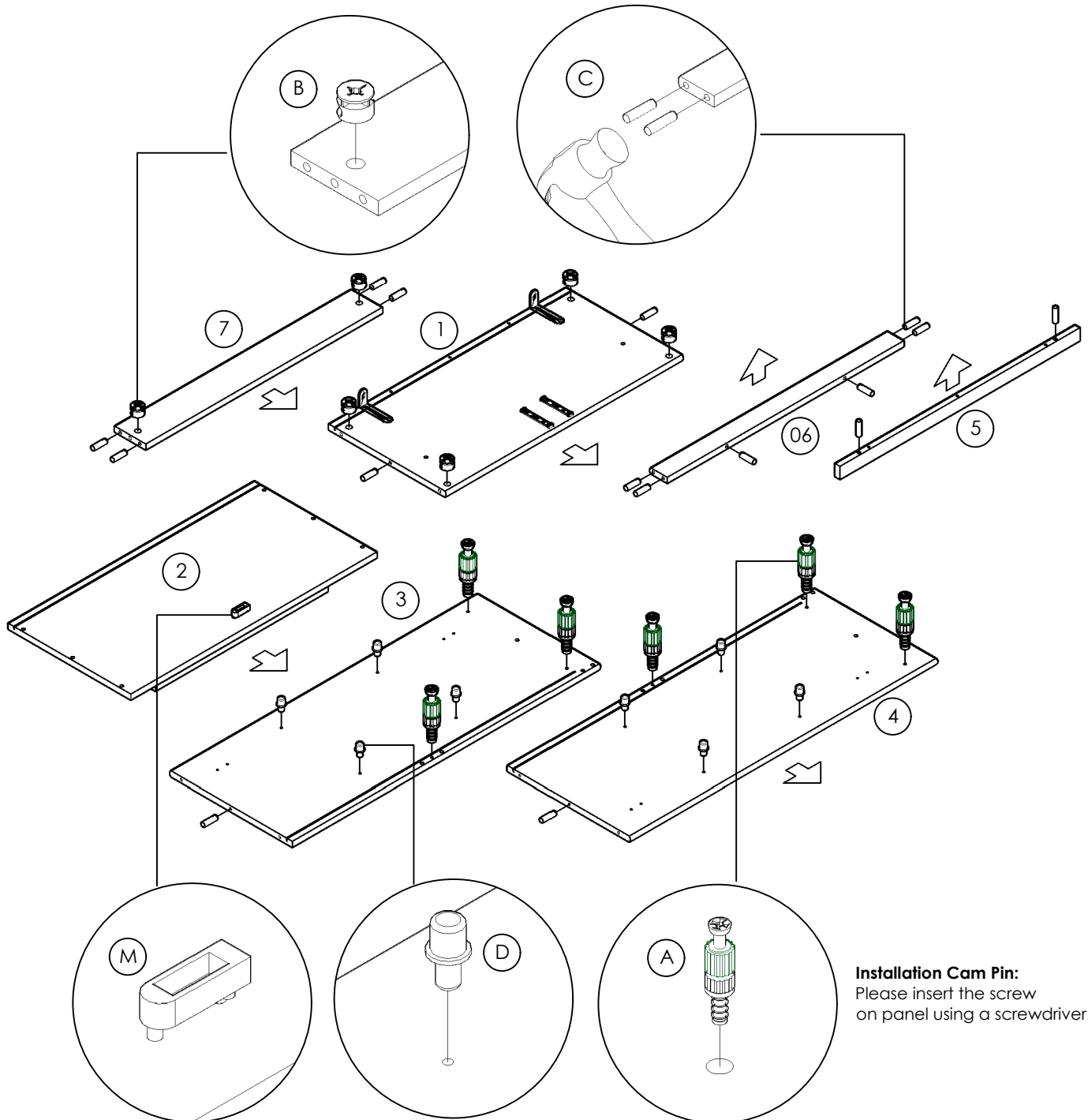


Step 2

(A) x6	(B) x6	(C) x16	(D) x8	(M) x1
				

Installation Hardware:

As Shown, Please using the hammer to insert the cam lock (B) and wood dowel(C) into hole of panel.



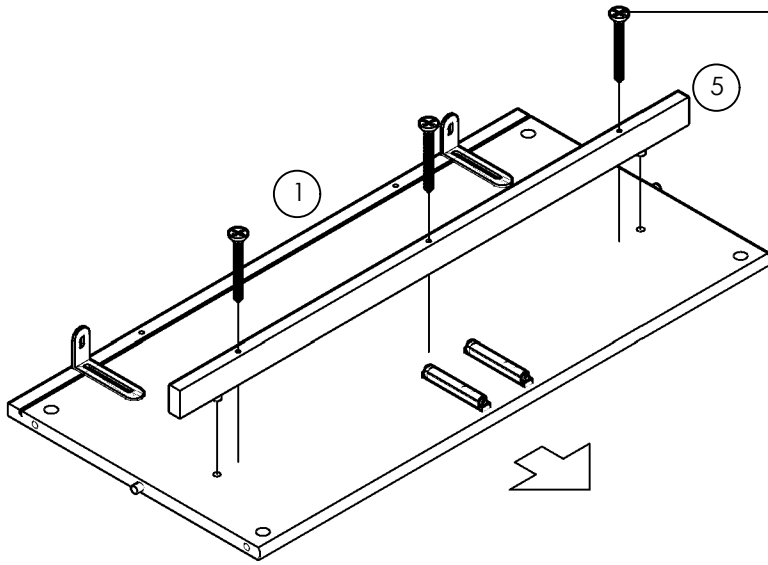
Installation Hardware:

As Shown, Please using the hammer to insert the iron shelf support (D) and stopper insert(M) into hole of panel.

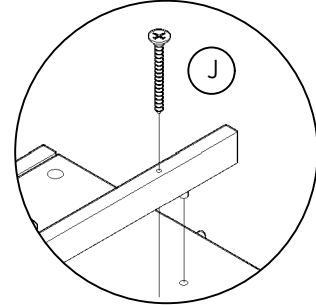
Installation Cam Pin:

Please insert the screw on panel using a screwdriver.

Step 3

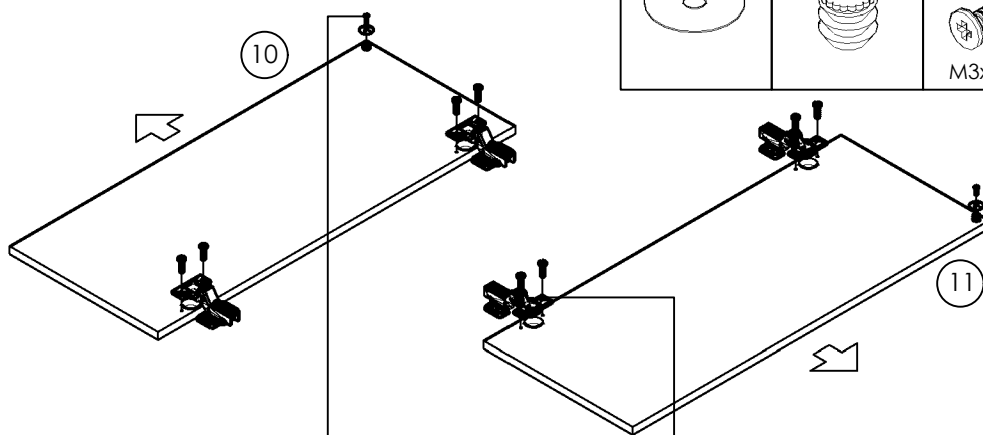


(J) x3



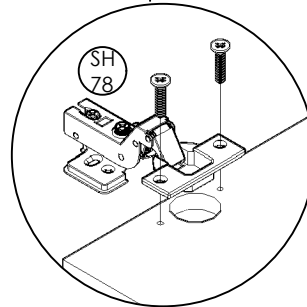
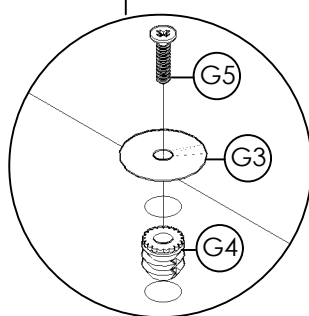
Installation Screw:
Please insert the screw (J) on the hole using a screwdriver.

Step 4



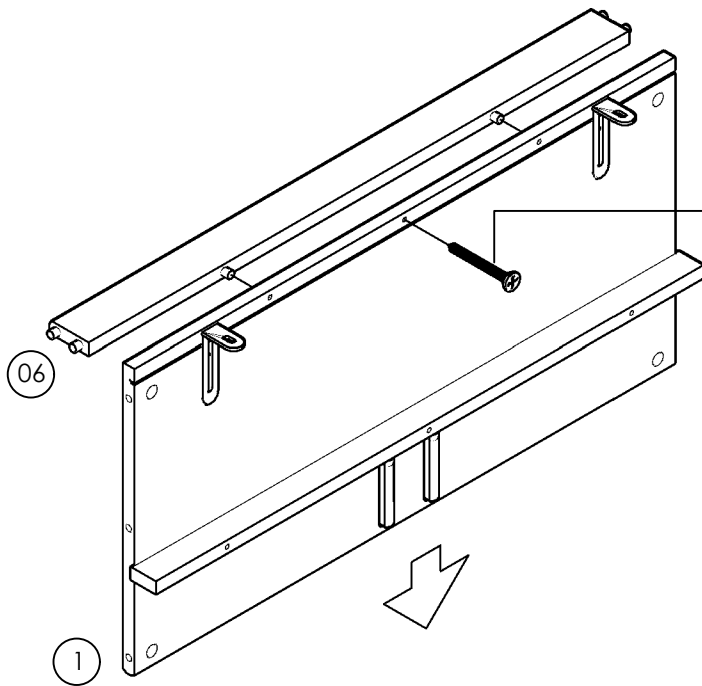
(G3) x2	(G4) x2	(G5) x2	(SH 78) x4
		M3x11MM	

Installation Hardware:
Insert the screw into the hole with using the screwdriver.



Installation Hinges:
Insert the screw into the hole of the Hinges with using the screwdriver.

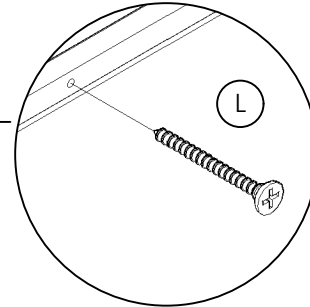
Step 5



(L) x1

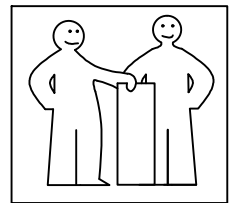


M4x30MM

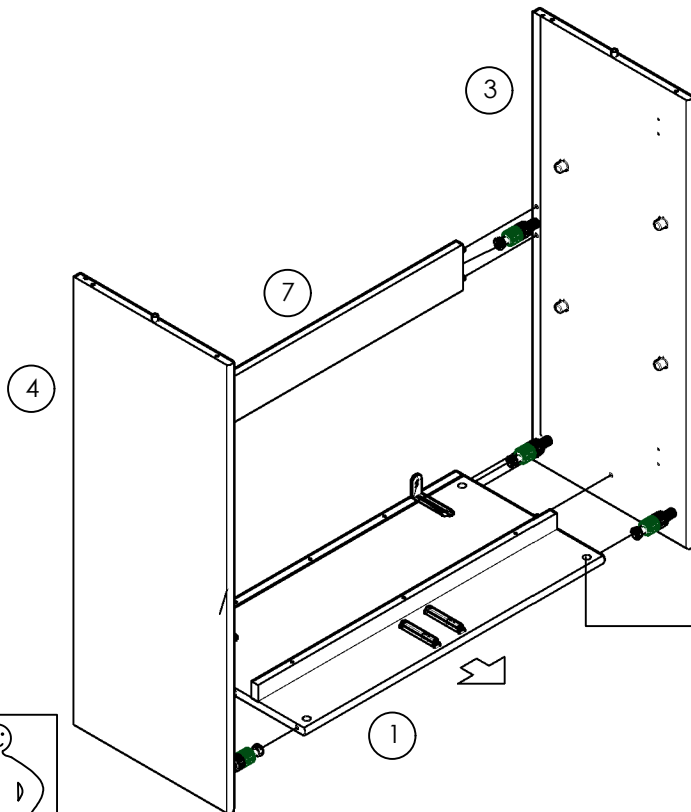


Installation Screw:

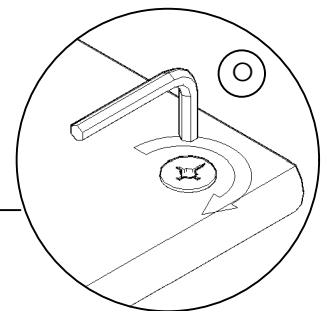
Please insert the screw (L) on the hole using a screwdriver.



Step 6

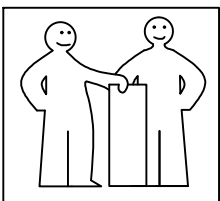


(O) x1



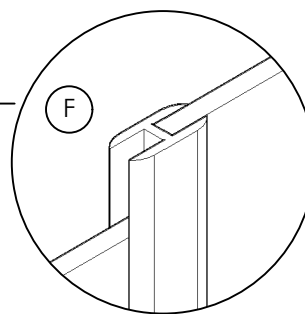
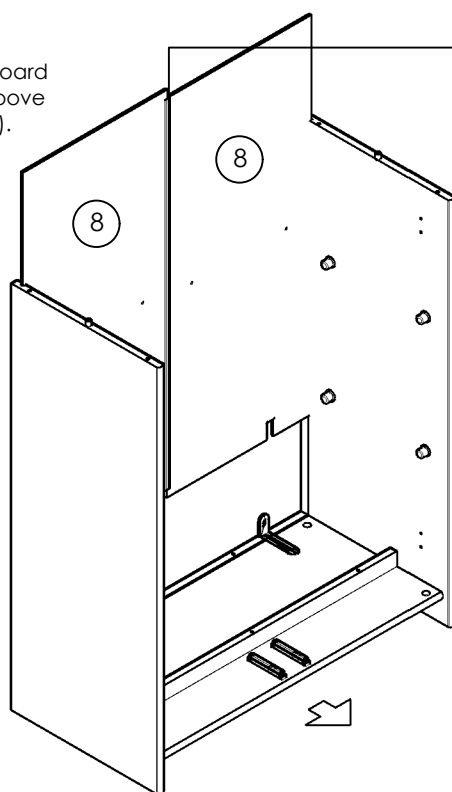
Installation:

As shown, the head of minifix housing goes into the open mouth of the minifix bolt. Use Allen Key then turn the minifix housing so it tightens over the minifix bolt.

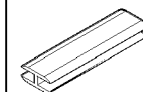


Step 7

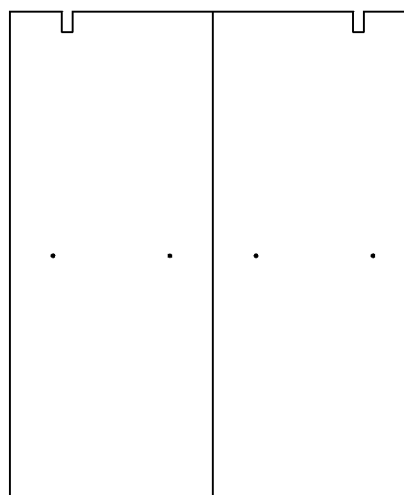
Insert the Back MDF Board:
Please insert the Back Mdf Board from the bottom into the groove of cabinet with Pvc H Rail (F).



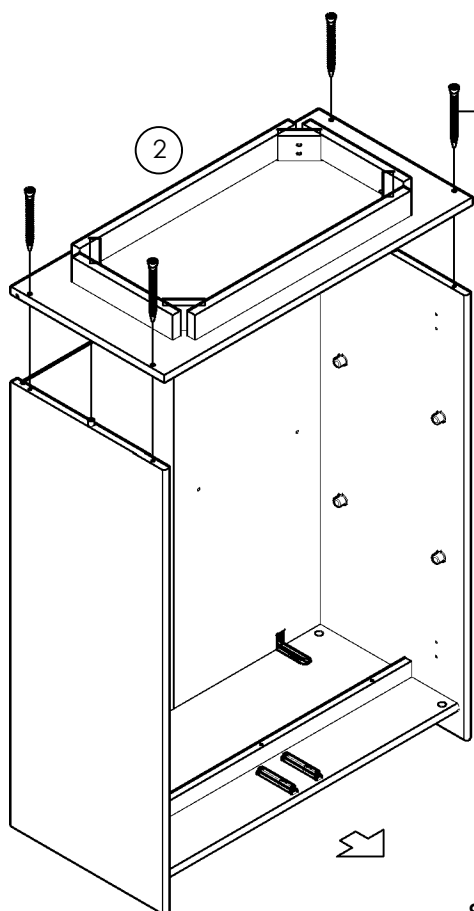
(F) x1



Front View:



Step 8

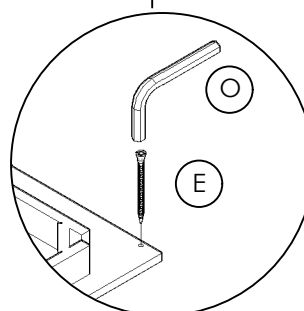


(E) x4

(O) x1



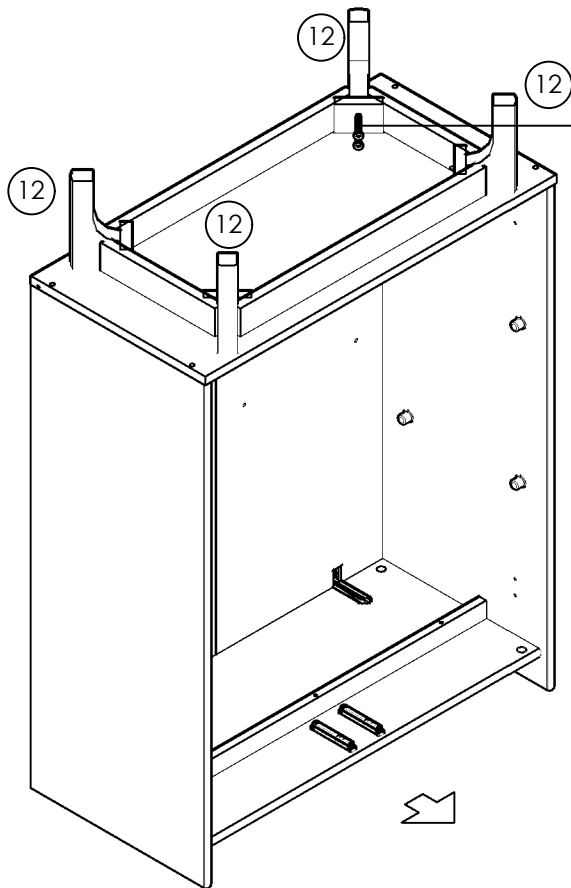
M6x50MM



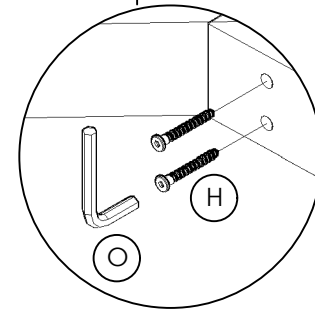
Installation Screw:

Please insert the screw (E) on the hole using an allen key.

Step 9

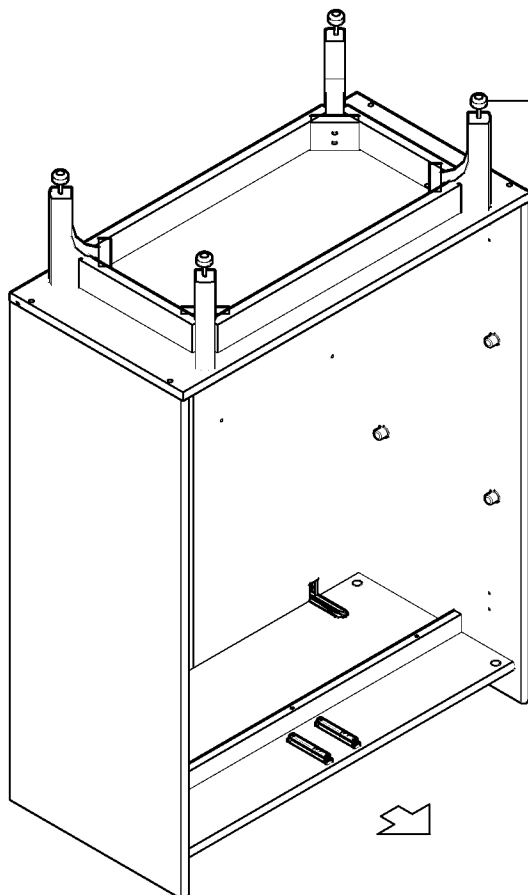


(H) x8	(O) x1
M7x50MM	

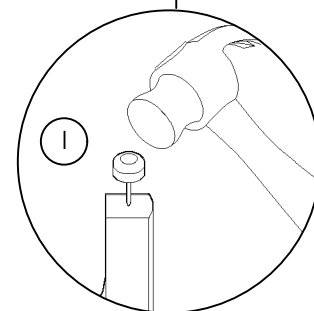


Installation Screw:
Please insert the screw (H)
on the hole using a allen key.

Step 10

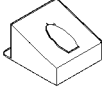
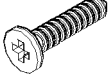


(I) x4

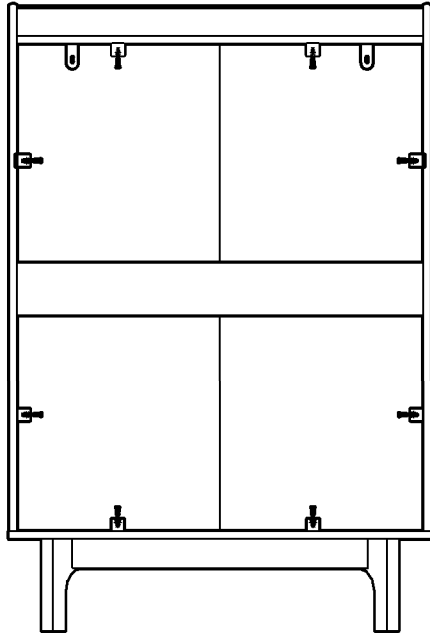


Installation Hardware:
As Shown, Insert the white leg pin (I),
into the panel using the hammer.

Step 11

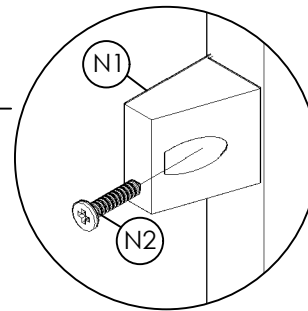
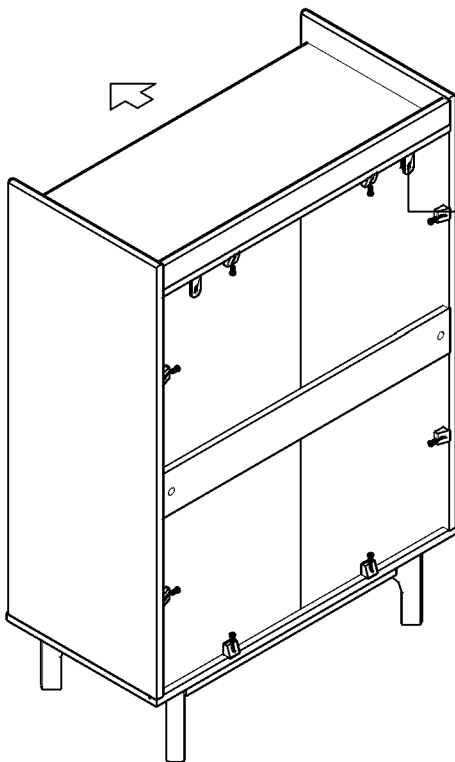
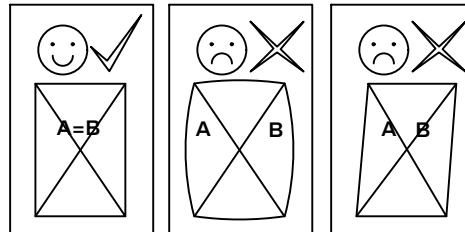
(N1) x8	(N2) x8
	
	M4x20MM

Back view:



ATTENTION PLEASE:

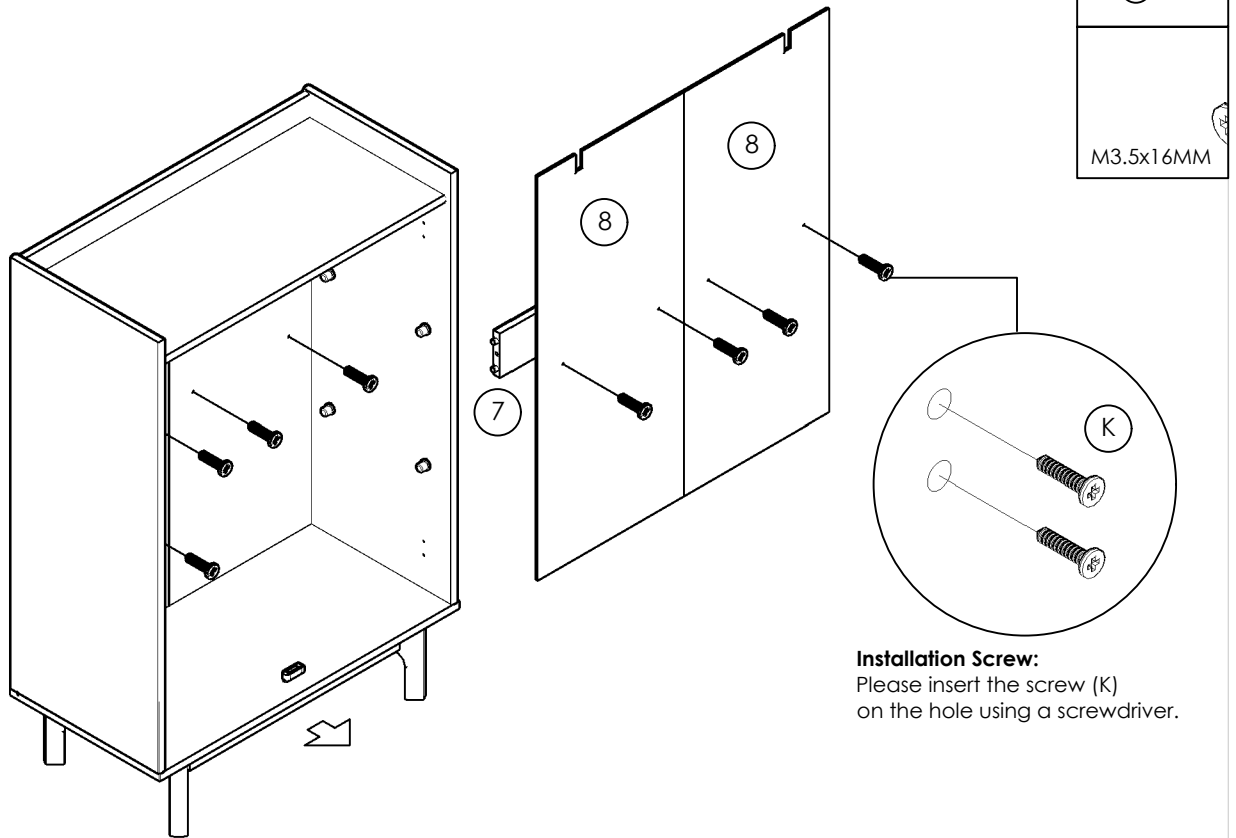
Please ensure the structure is straight and level and all panels are at right angles before installing the back buckles, **MUST** install back buckles to strengthen product stability.



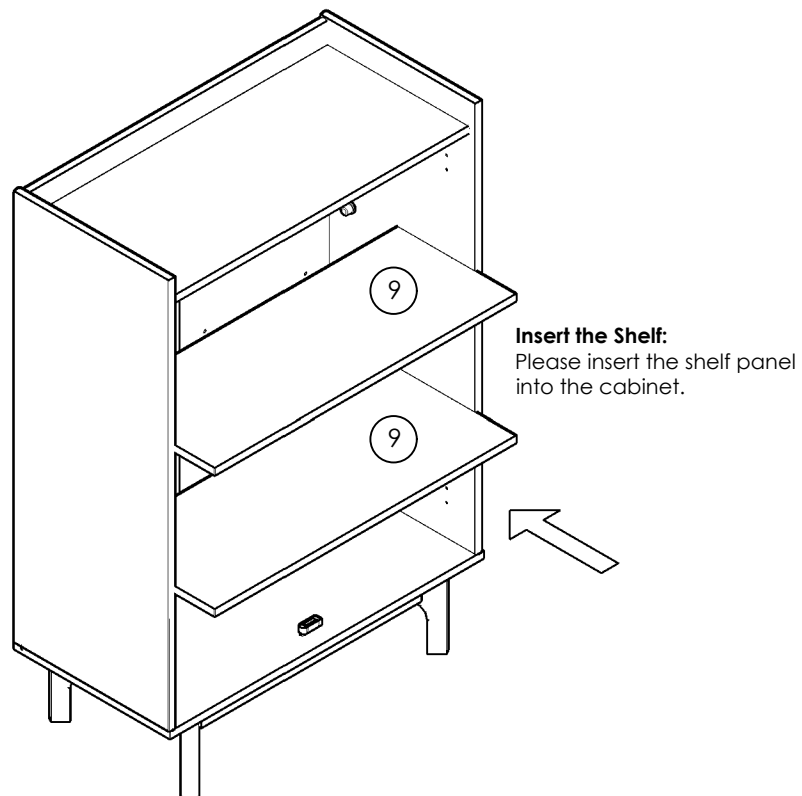
Installation Screw:

Please insert the screw (N2) on the stub (N1) using a screwdriver.

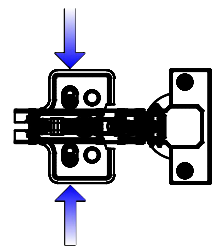
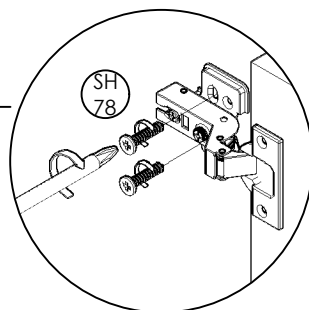
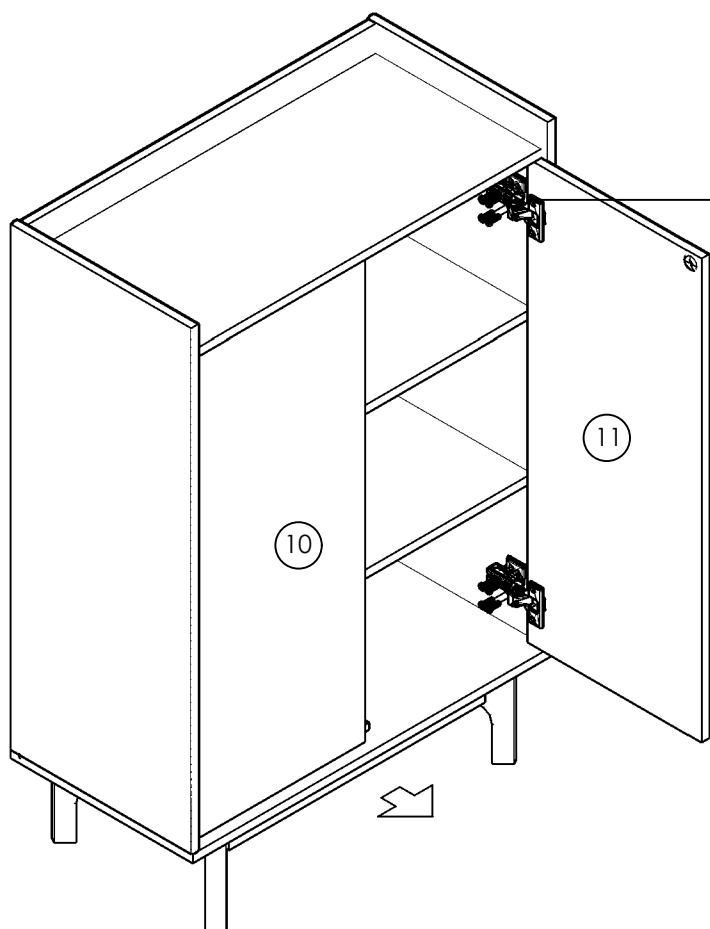
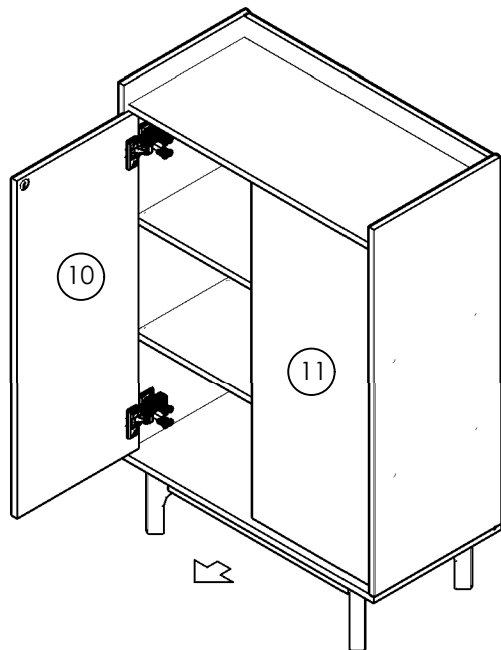
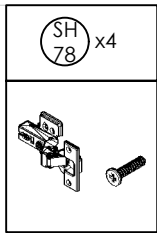
Step 12



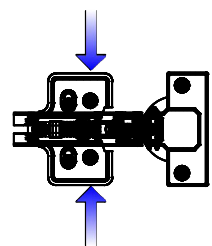
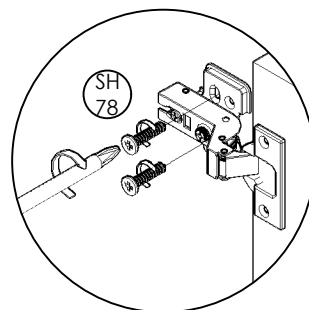
Step 13



Step 14



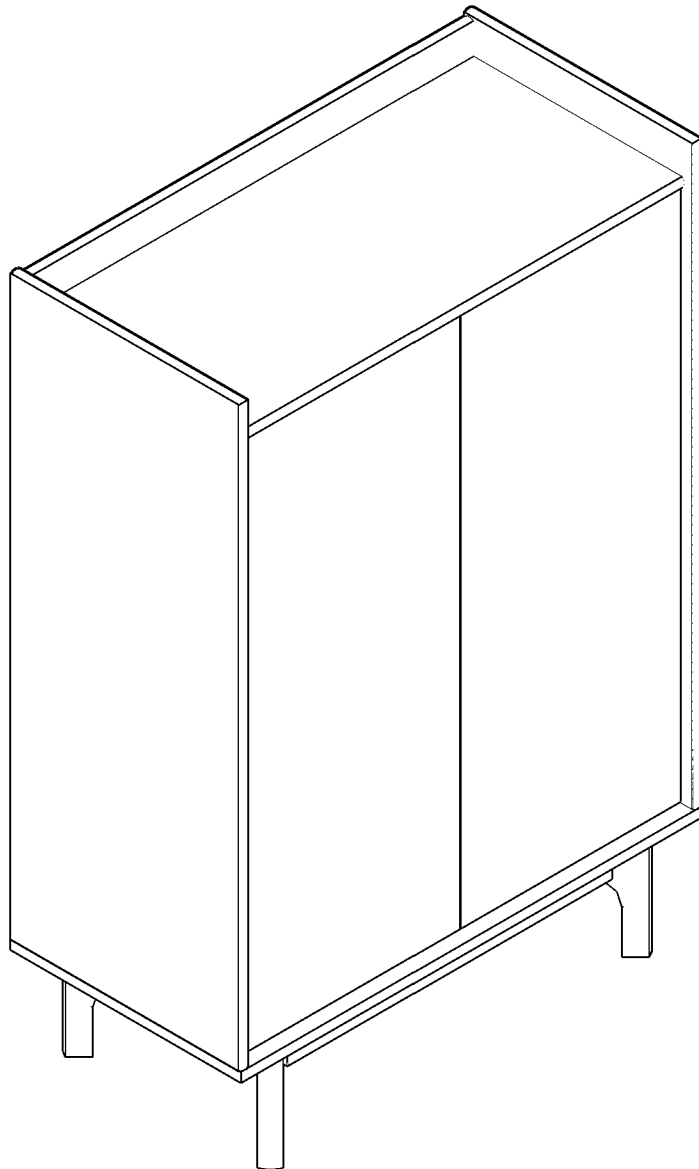
#Adjust the door by moving it up and down or left and right to tighten the screws



#Tighten the screws to prevent sliding doors

VOILA!

Now enjoy.



Warning !!!

DO NOT climb, sit or stand on the cabinet as this may damage the product and cause serious bodily injury.

Something not right?

We are always here to help.

We make mistakes like every human does. Though we always strive to provide the best possible products at competitive prices and the best service in the industry, it's not possible to completely eliminate mistakes. If you experience any dissatisfaction, feel free to contact us immediately. Our in-house customer care team will respond ASAP.

- customerservice@luxenhome.com
Get response within 24 hrs
- 909.548.6688
Mon-Fri 9am-5pm PST/PDT
- www.luxenhome.com/help
Submit a ticket on our website

Things to do to expedite the process

- Have your order# ready
- Take photos/videos to help us better identify the issues
- DO NOT throw away the packaging

Happy with our product?

Leave us a review

It really help us as a small business

Find the product you purchased on our website (tip: search by SKU) and leave us a review.

Alternatively, you can always return to the marketplace where you purchased it and leave a review there.

Share with others

Our customers look for REAL stuff



- Follow us on IG @luxen.home
- Share your #liveluxen moments



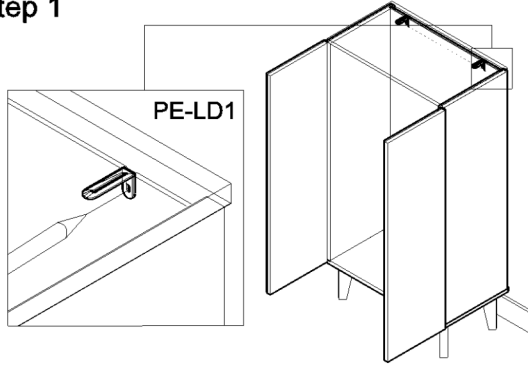
Please save this manual for future reference.

ANTI-TIP DEVICE INSTALLATION INSTRUCTION

Installation Instruction :

To prevent tipping, attach the anti-tip device to a wall stud using the enclosed 2" screw.

Step 1

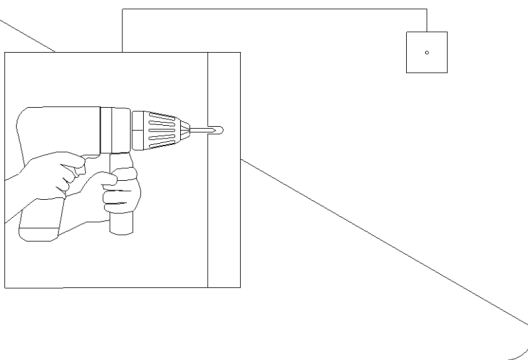


Step 1 : Position and Mark

Place the cabinet against the wall and open door. At the top of the back panel, locate the **pre-installed anti-tip kit**.

Using a pen or pencil, **mark the screw hole position on the wall** through the hole on the anti-tip bracket.

Step 2



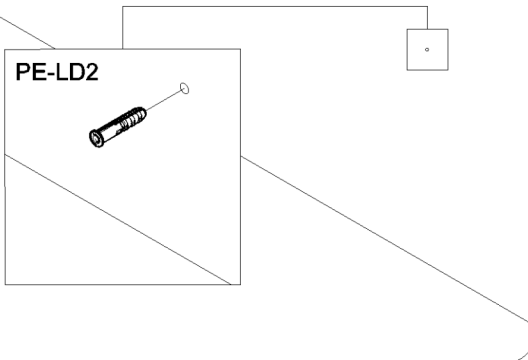
Step 2 : Drill the Wall

Move the cabinet slightly away from the wall. Using a **5mm drill bit**, drill holes at the marked positions to a **depth 30mm**.

Step 3 : Insert Wall Plug

Insert the **wall plug (PE-LD2)** into the drilled hole in the wall.

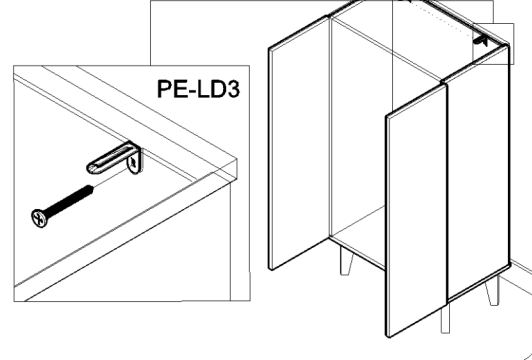
Step 3



Step 4 : Secure the Cabinet

Push the cabinet back to its original position, ensuring the **anti-tip bracket aligns with the wall plug**. Insert the **M4x30 screw (PE-LD3)** through the bracket and and tighten it securely to **anchor the cabinet to the wall**.

Step 4

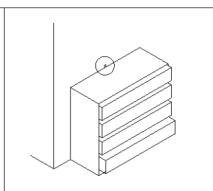
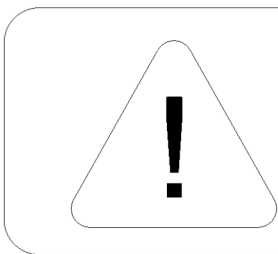
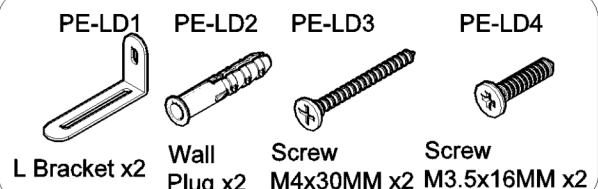


WARNING

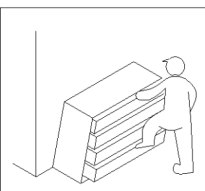
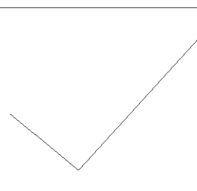
Serious or fatal crushing injuries can occur from furniture tip-over.
ALWAYS secure this furniture to wall using tip-over restraints.
To further reduce the risk of serious injury and death from tip-overs:

- Place heaviest items in the lower drawer.
- Do not set TVs or other heavy objects on top this product
- Never let children climb or hang on drawers, doors, or shelves.

Device :



WITH ANTI-TIP



WITHOUT ANTI-TIP