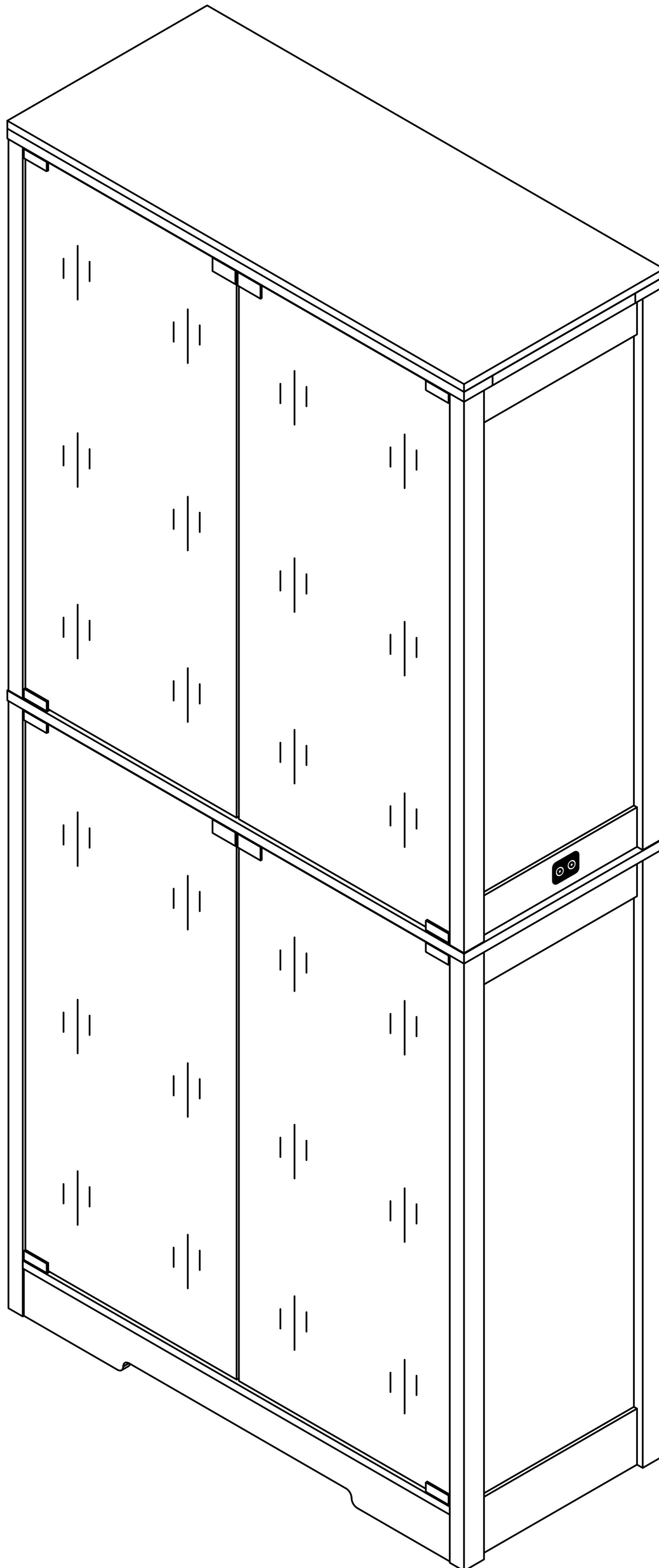
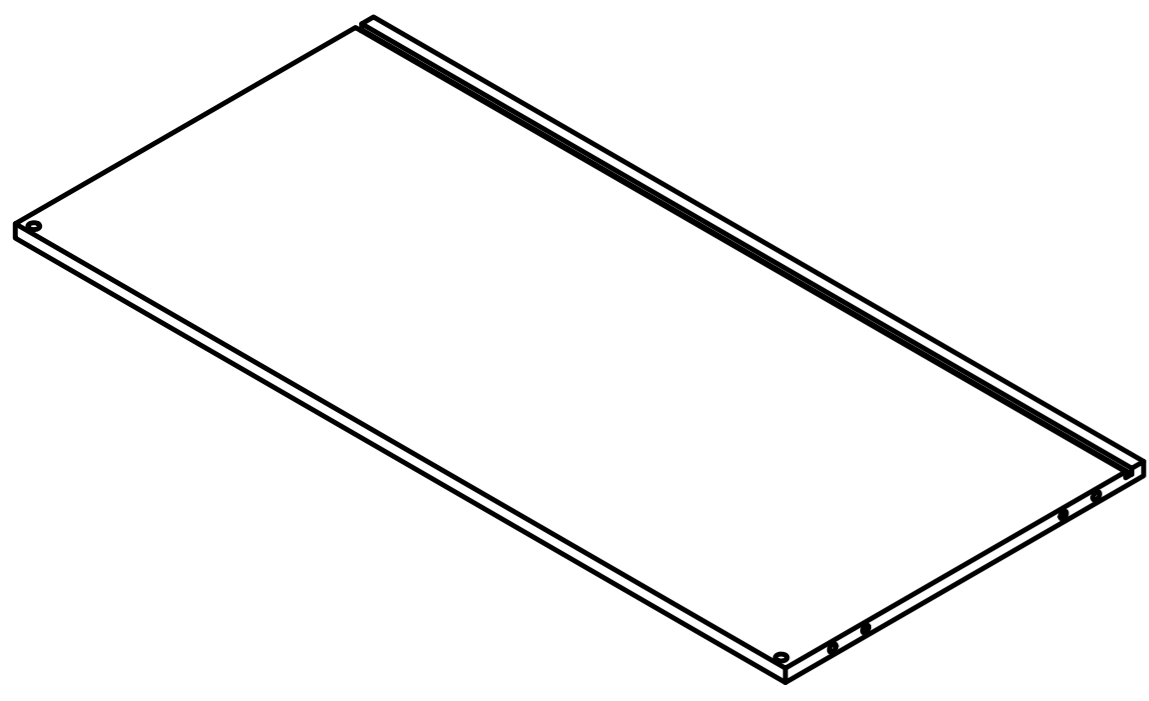
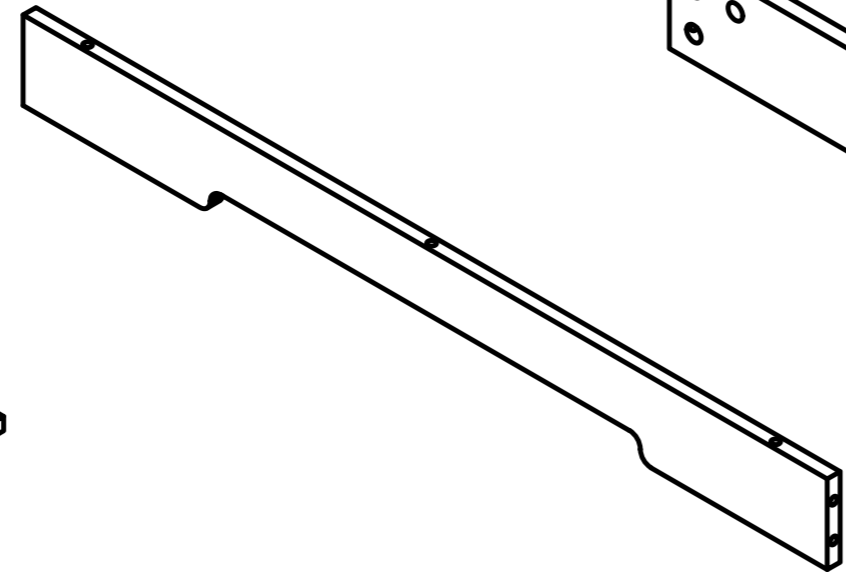


Product Installation Instructions

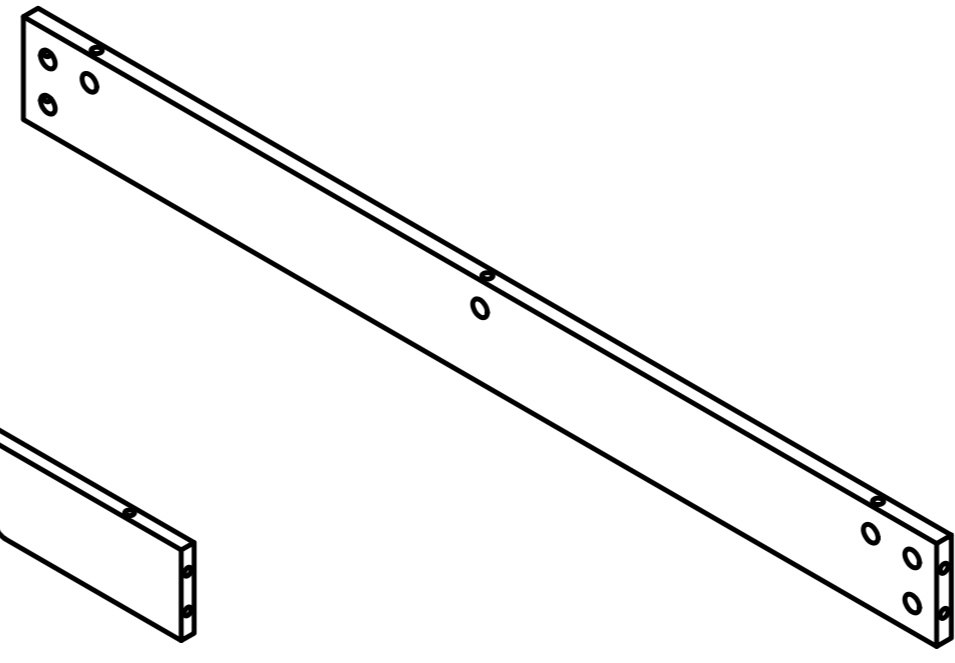




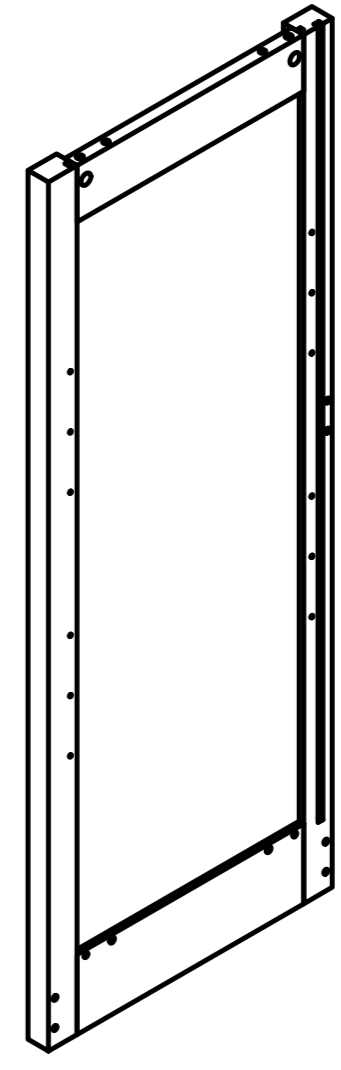
Ax1



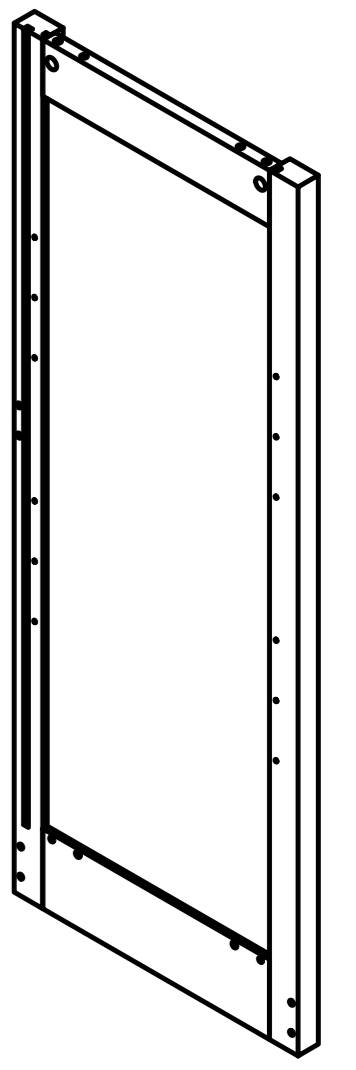
Bx1



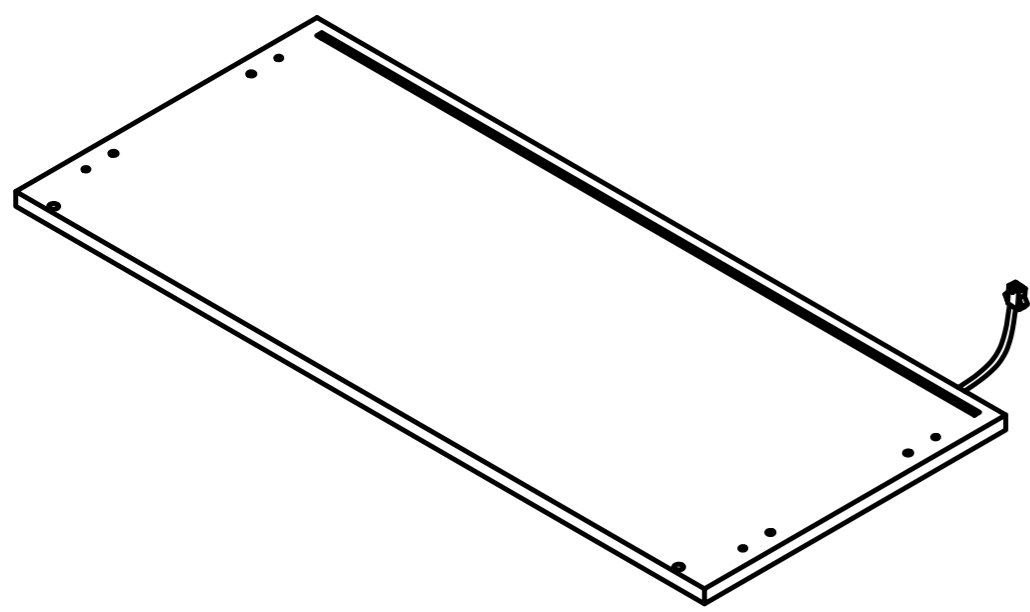
Cx1



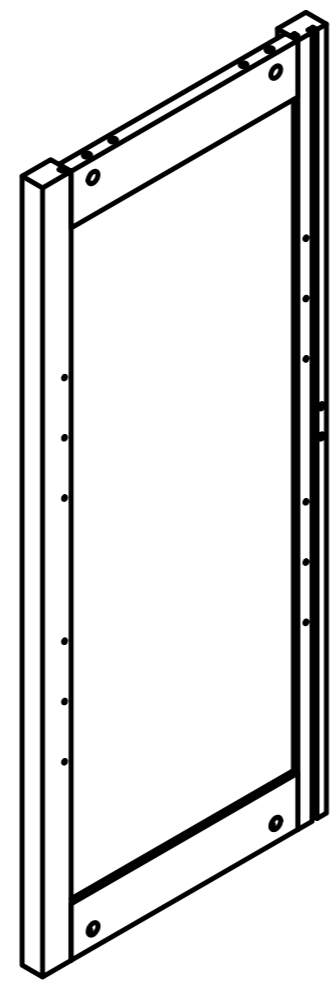
Dx1



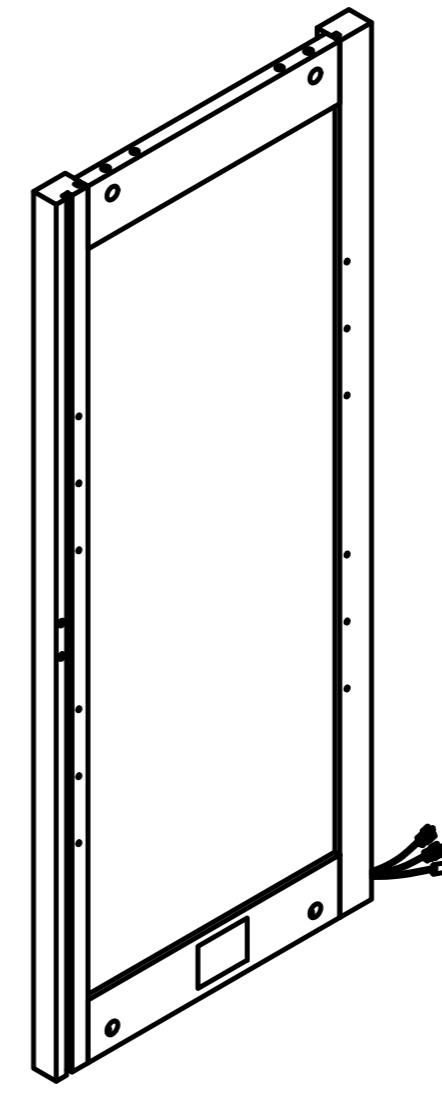
Ex1



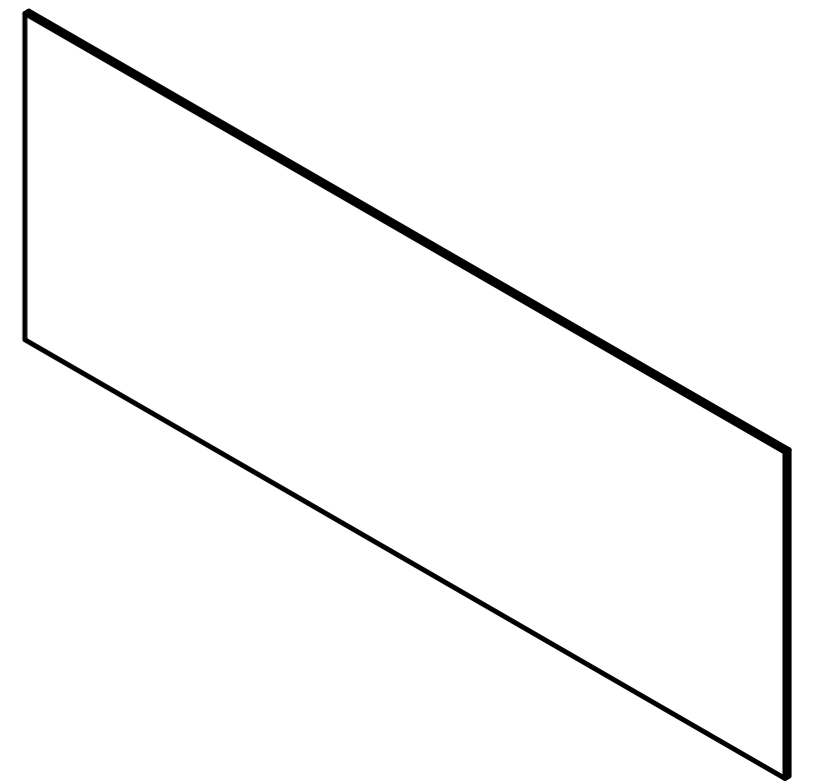
Fx1



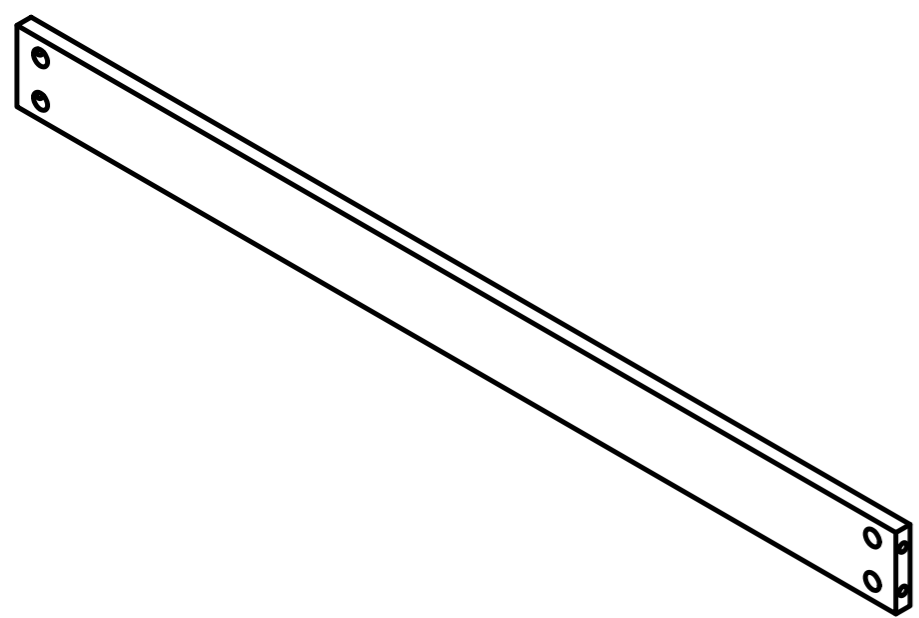
Gx1



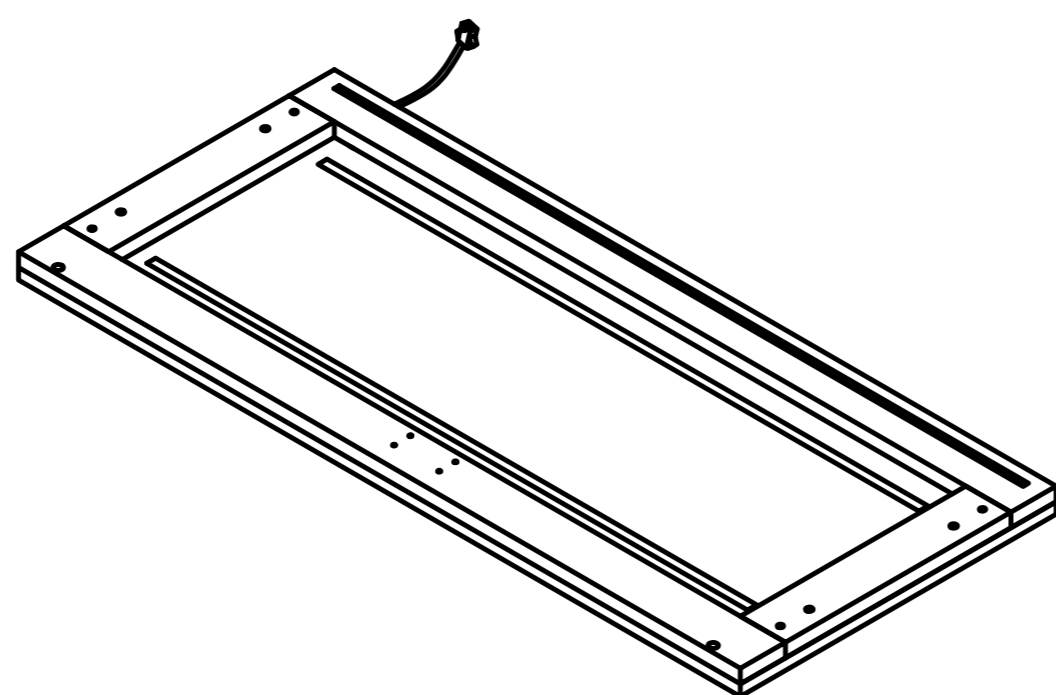
Hx1



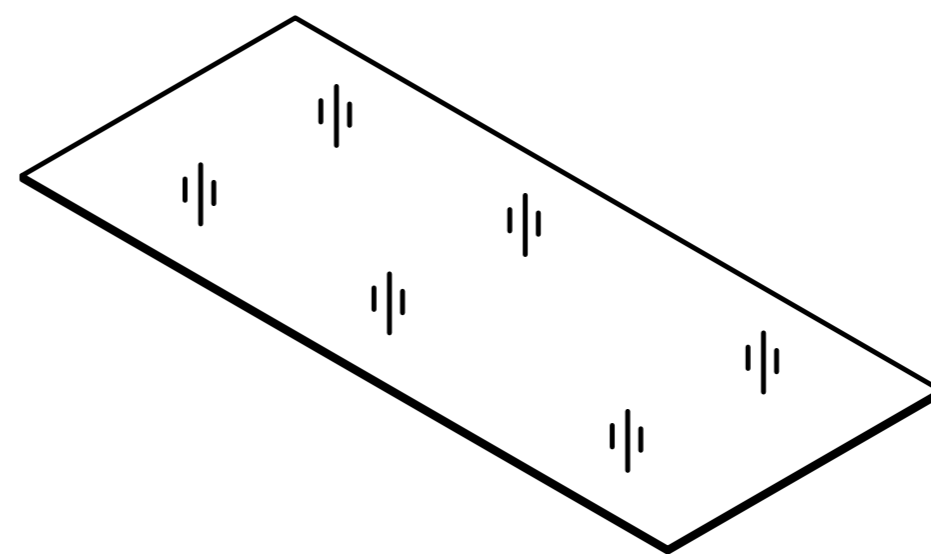
Ix6



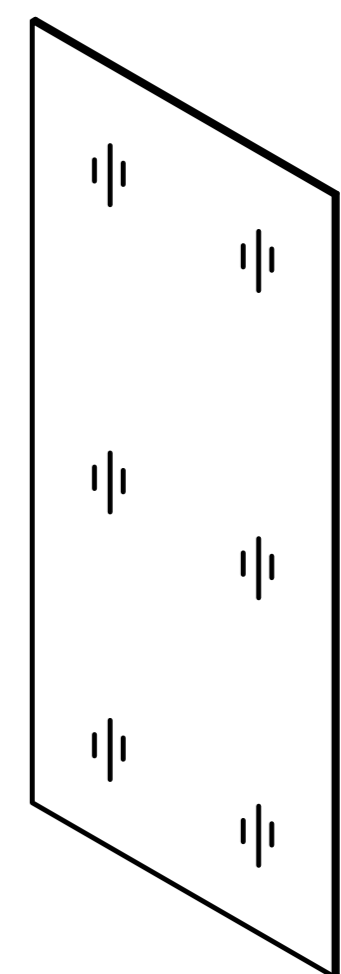
Jx2



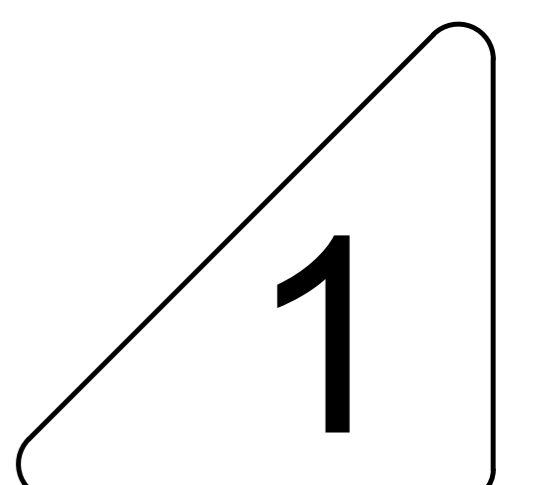
Kx1



Lx4

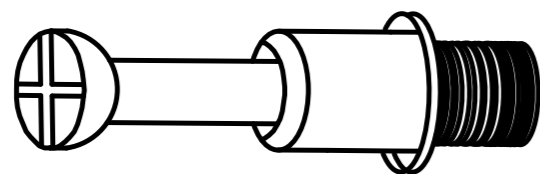
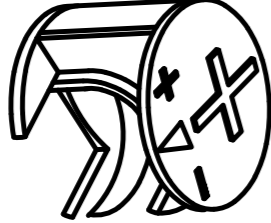
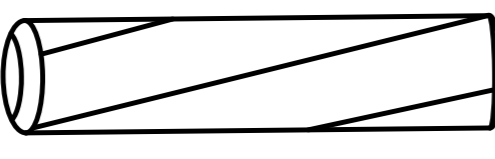

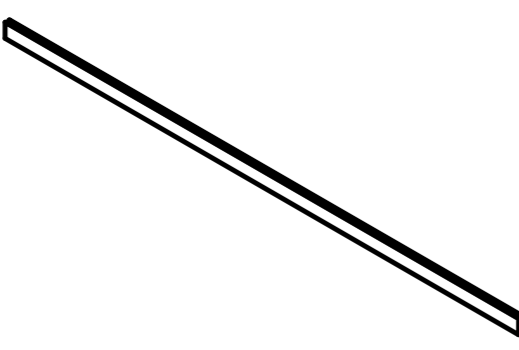
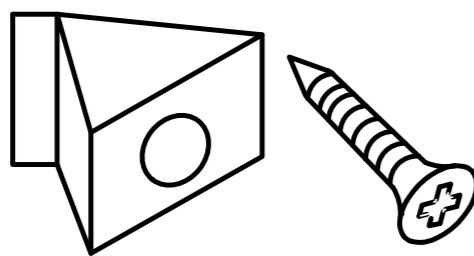
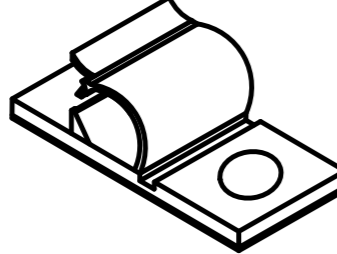
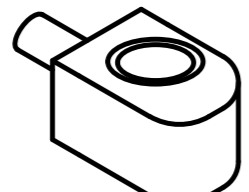
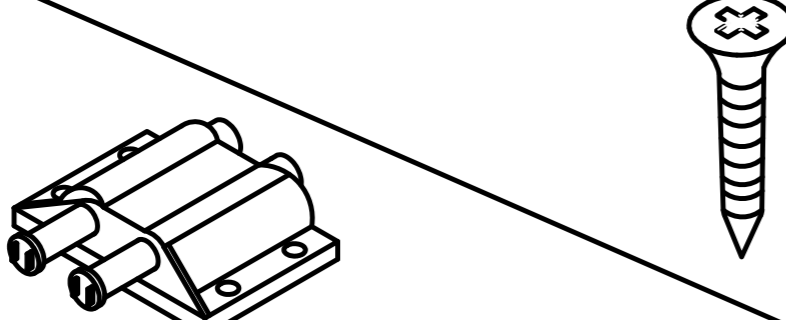

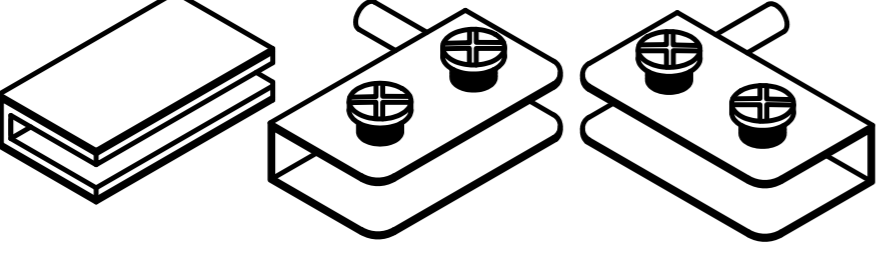
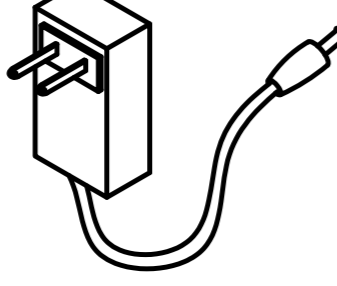


Mx4



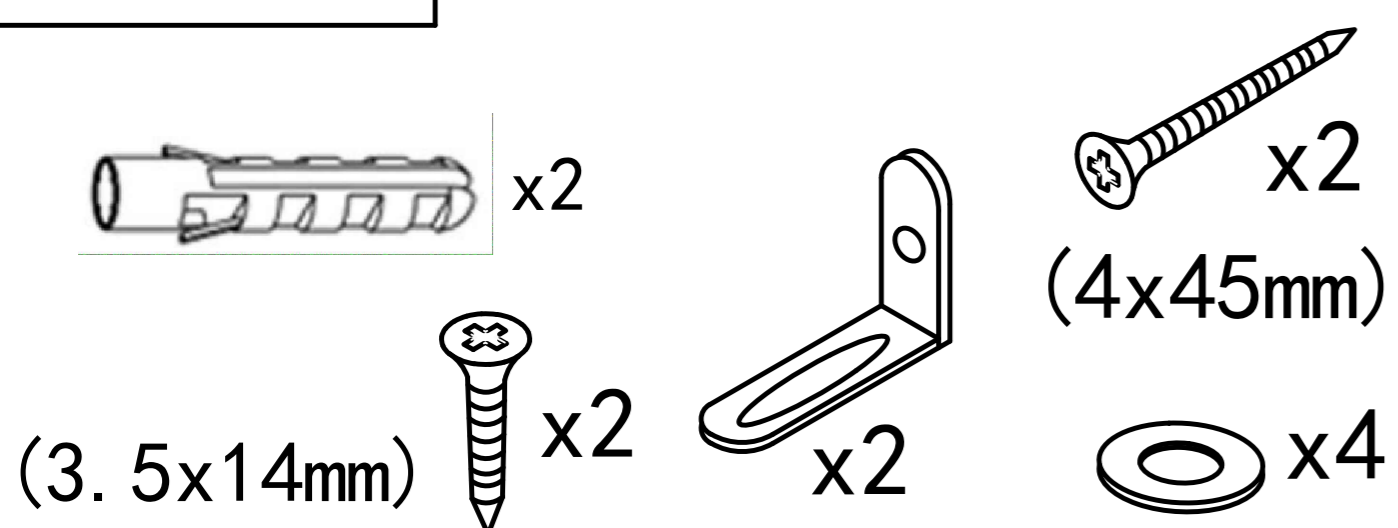
1

Accessories list

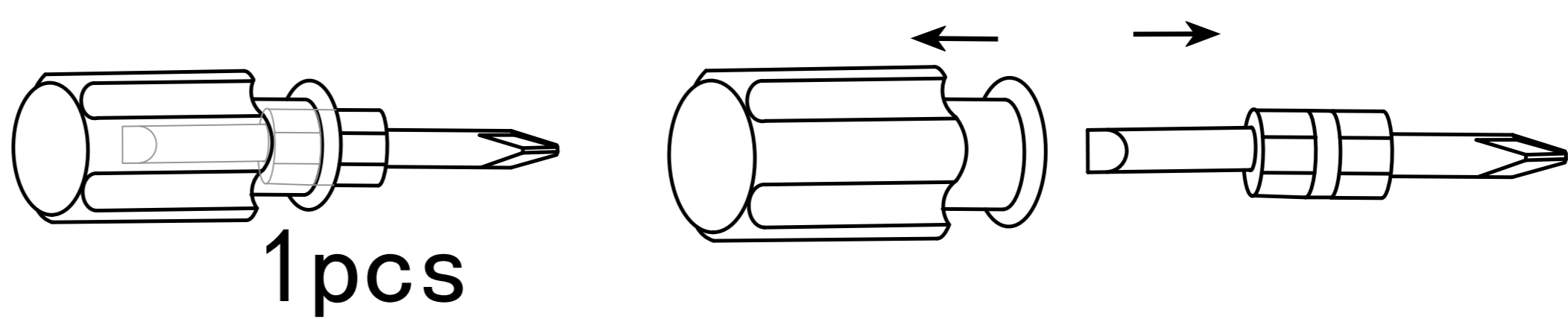
①		Two in one screw (6x28mm)	38pcs +4pcs
②		Two in one nut (10x12mm)	38pcs +4pcs
③		Wood chipping (6x30mm)	16pcs +4pcs
④		Non-slip pads	6pcs
⑤		Backboard card strip(746mm)	4pcs
⑥		Fixing clip & screw (3x16mm)	24pcs +2pcs
⑦		Wire clamp	2pcs +1pcs
⑧		Laminate support nail	16pcs +1pcs
⑨		Rebound device & Screw (3x16mm)	8pcs +2pcs 2pcs
		Rubber ring	8pcs
		Iron sheet & Hinge	4pcs
		AC/DC Adapter (12V==3.0A)	1pcs

⑪

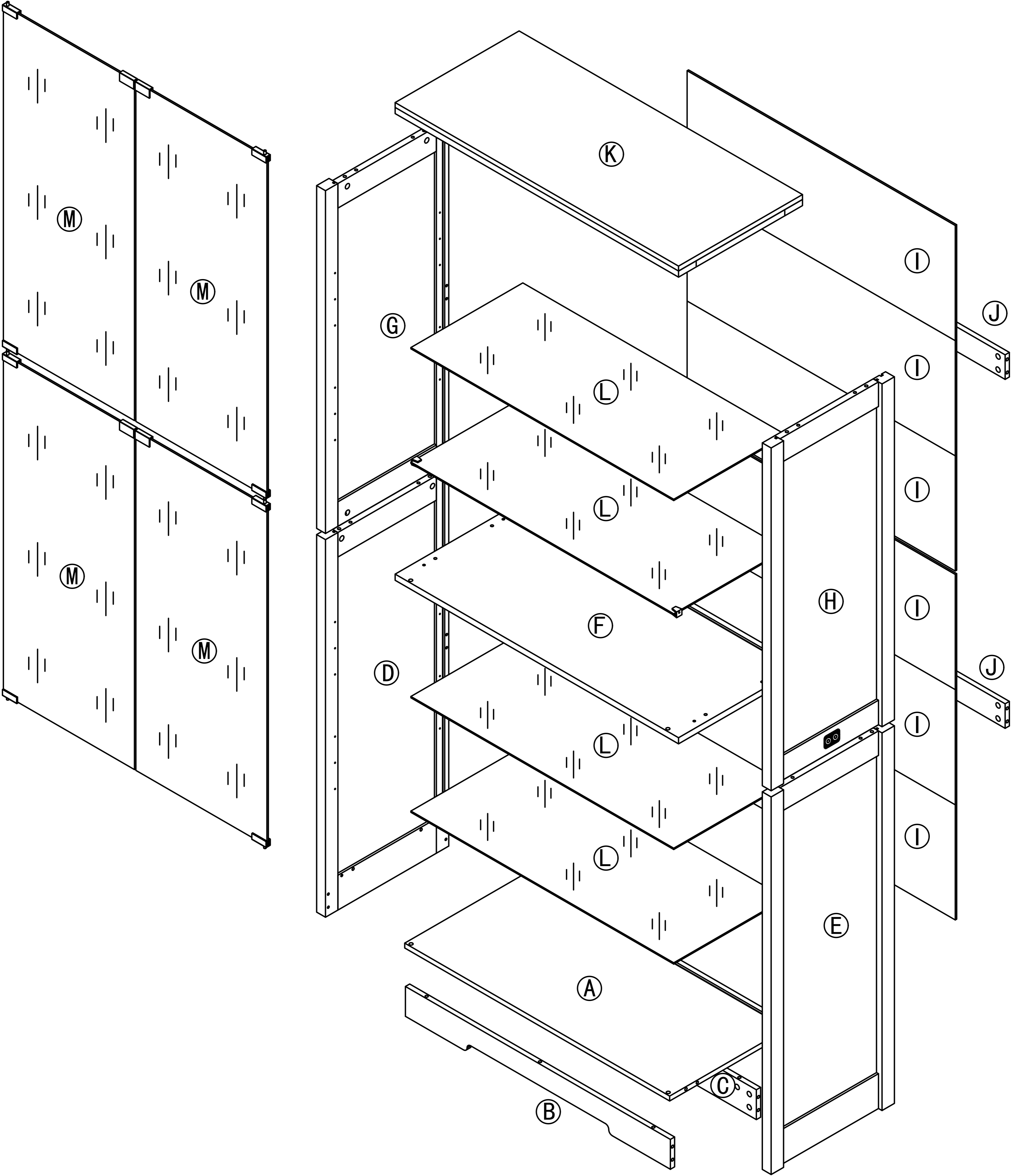
Anti Fall Hardware



Double-head screwdriver, use as required

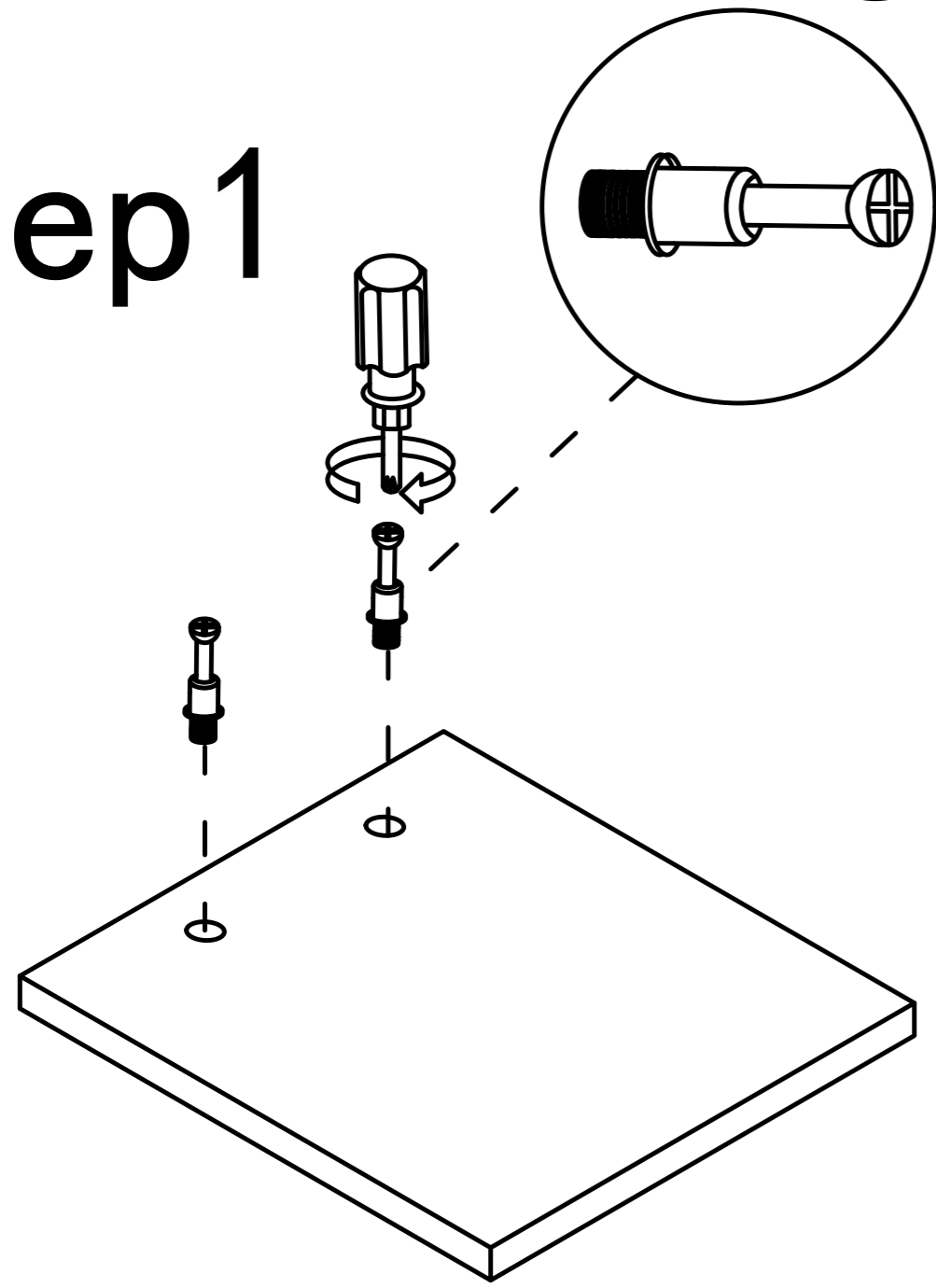


Product structure decomposition

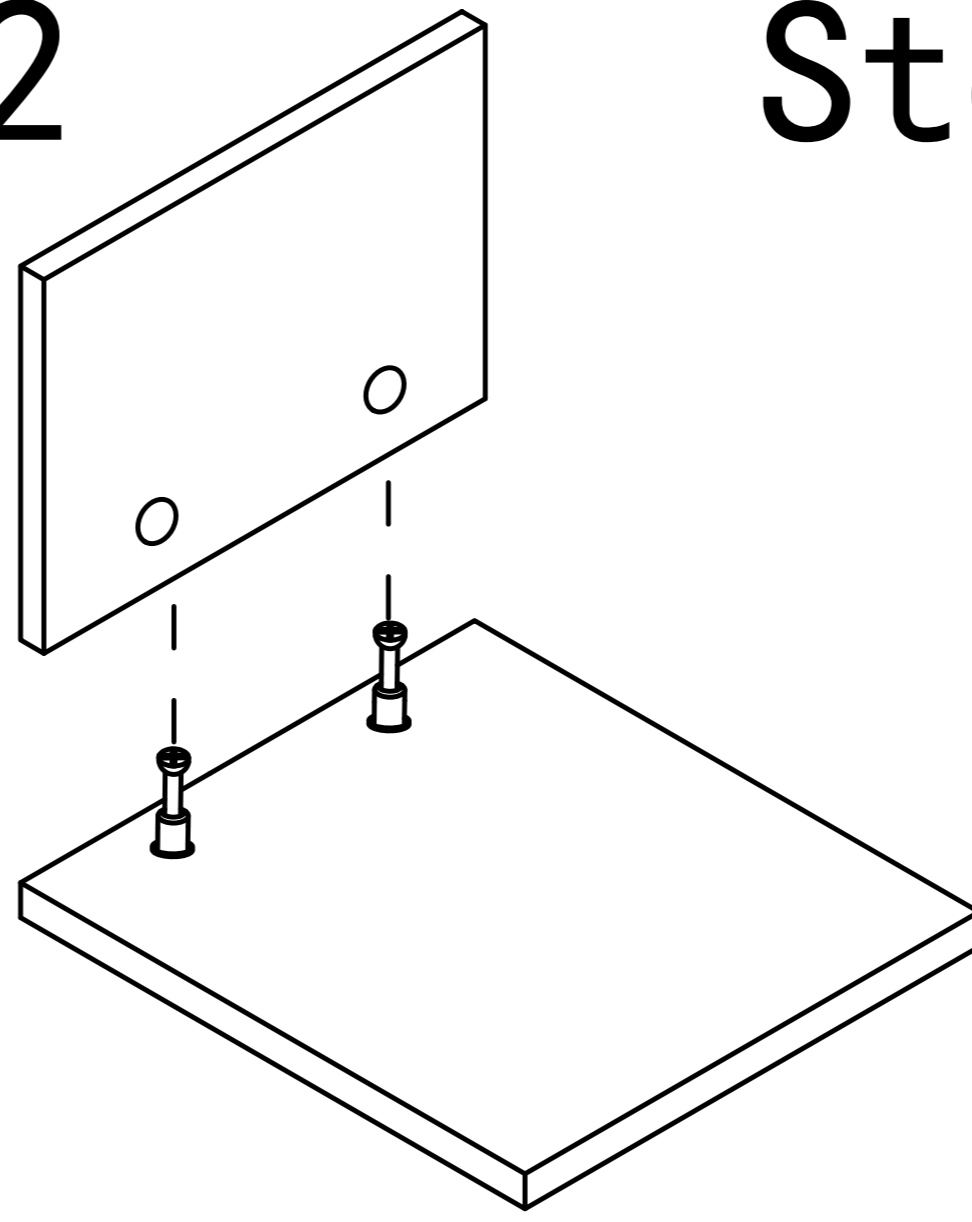


Use parts ① and ②

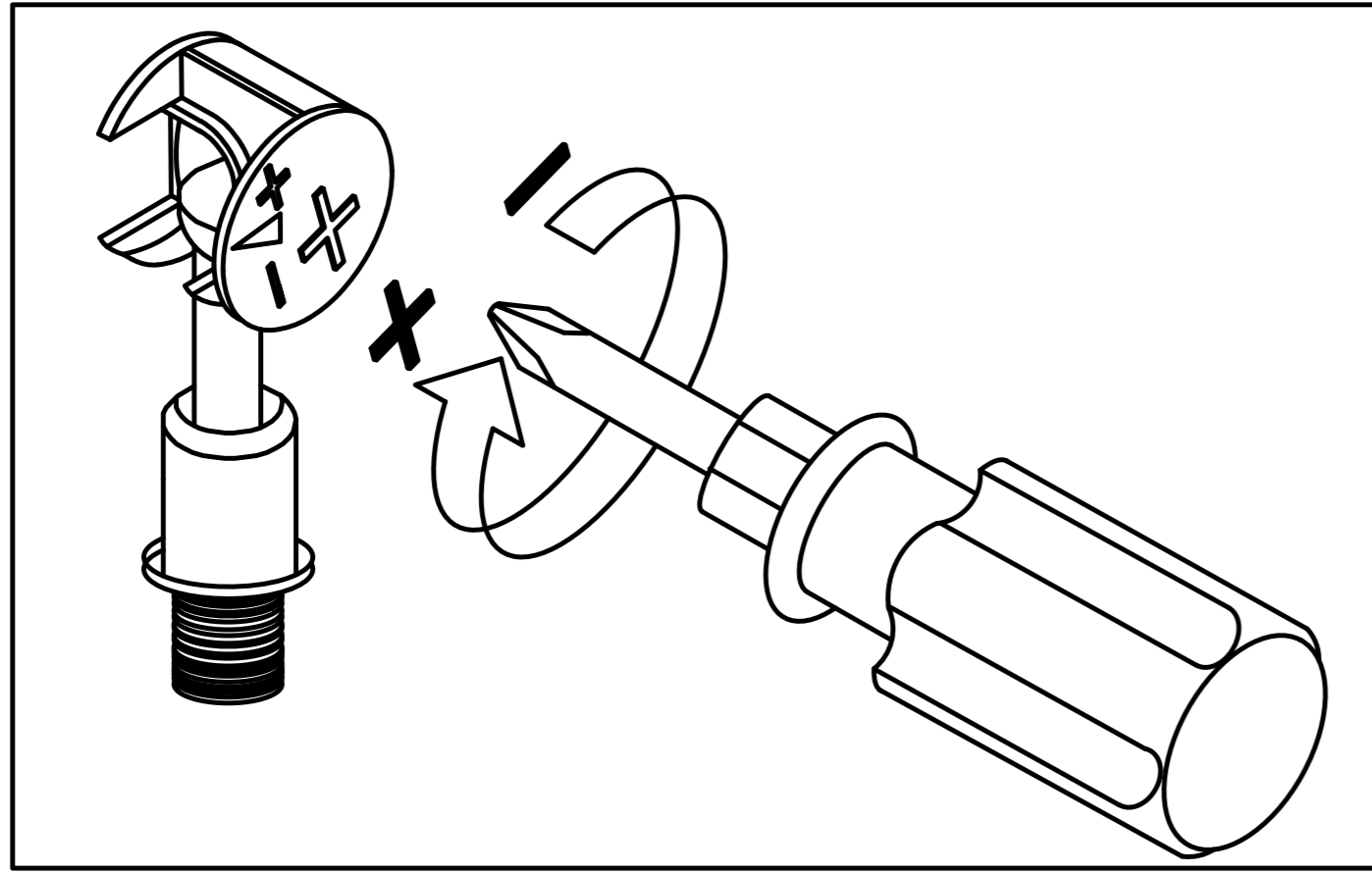
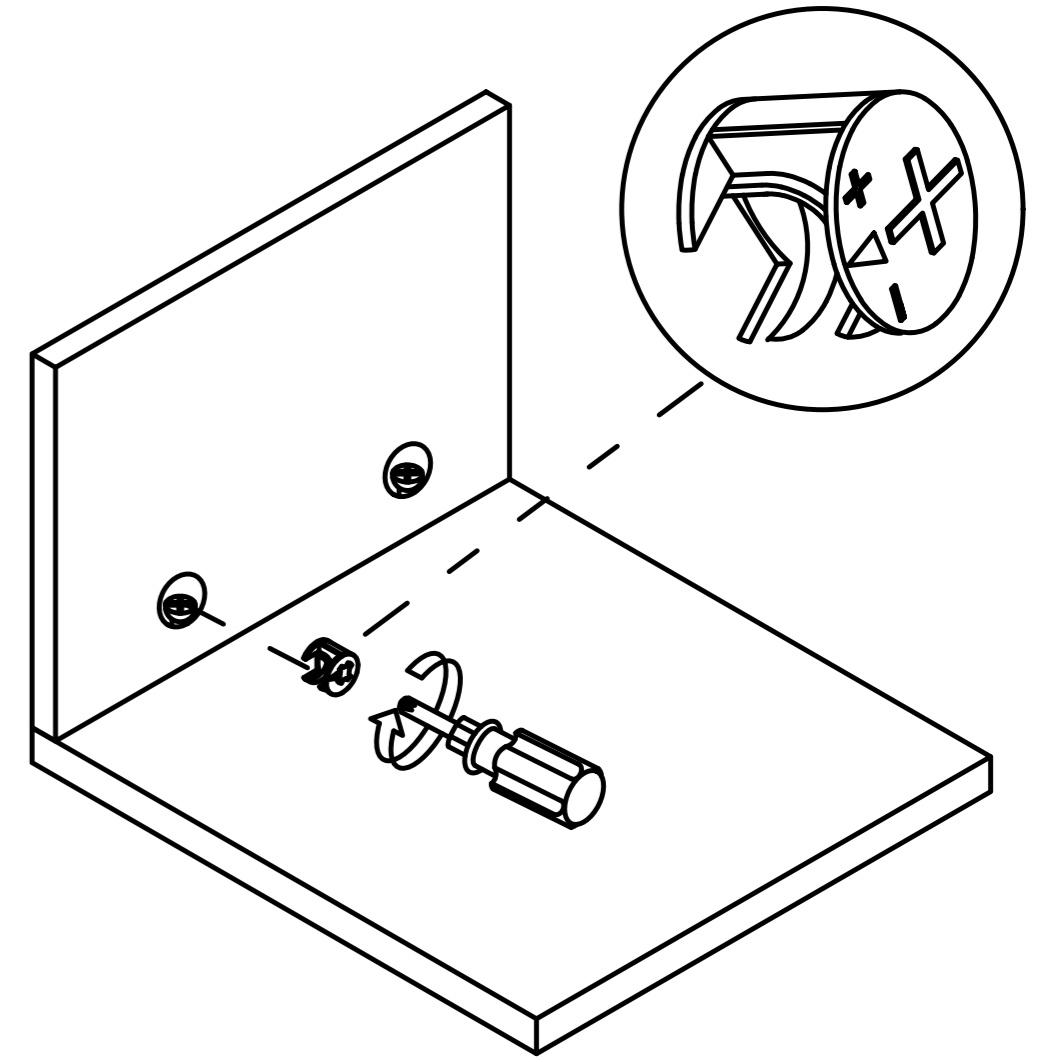
Step 1



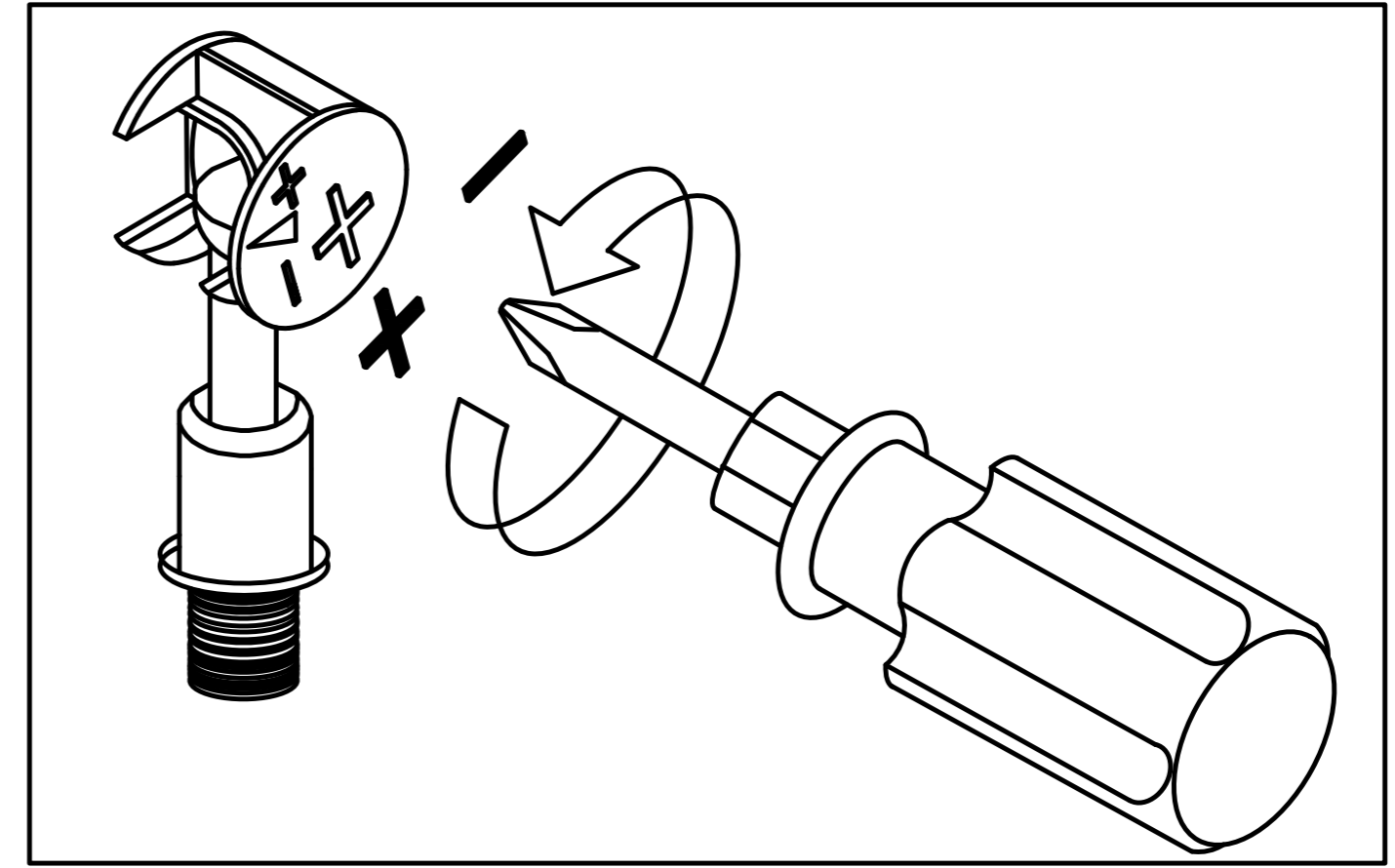
Step 2



Step 3

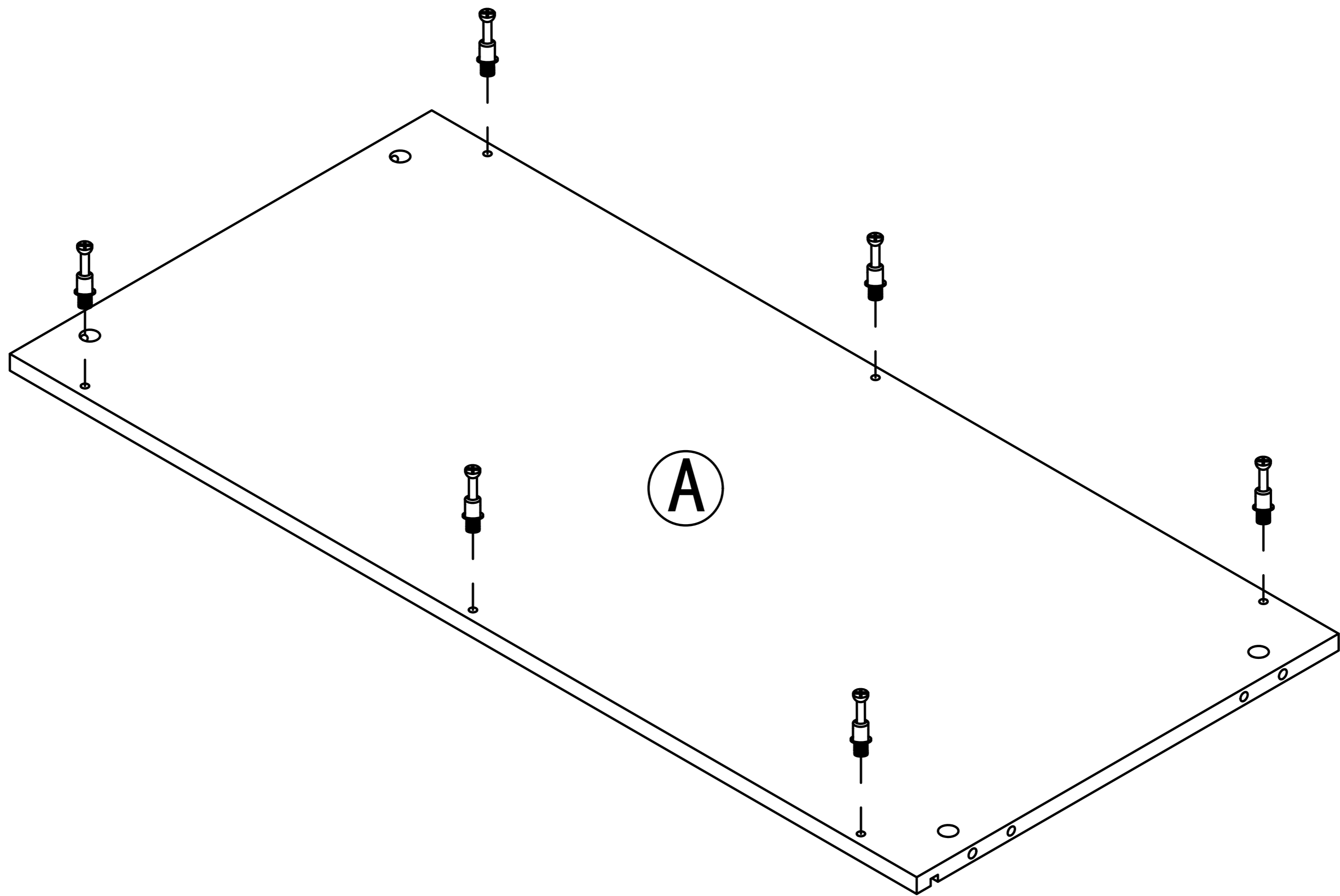
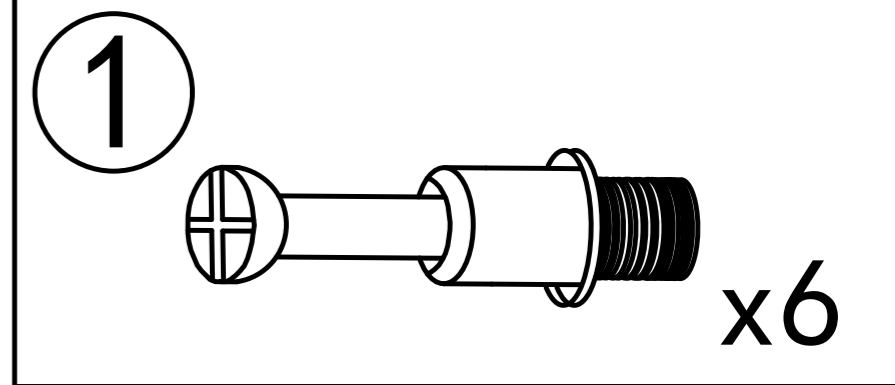


Use a screwdriver to lock in the direction of the "+" sign

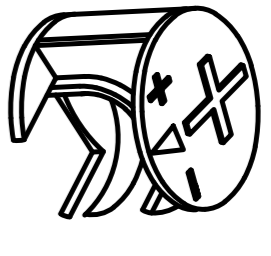


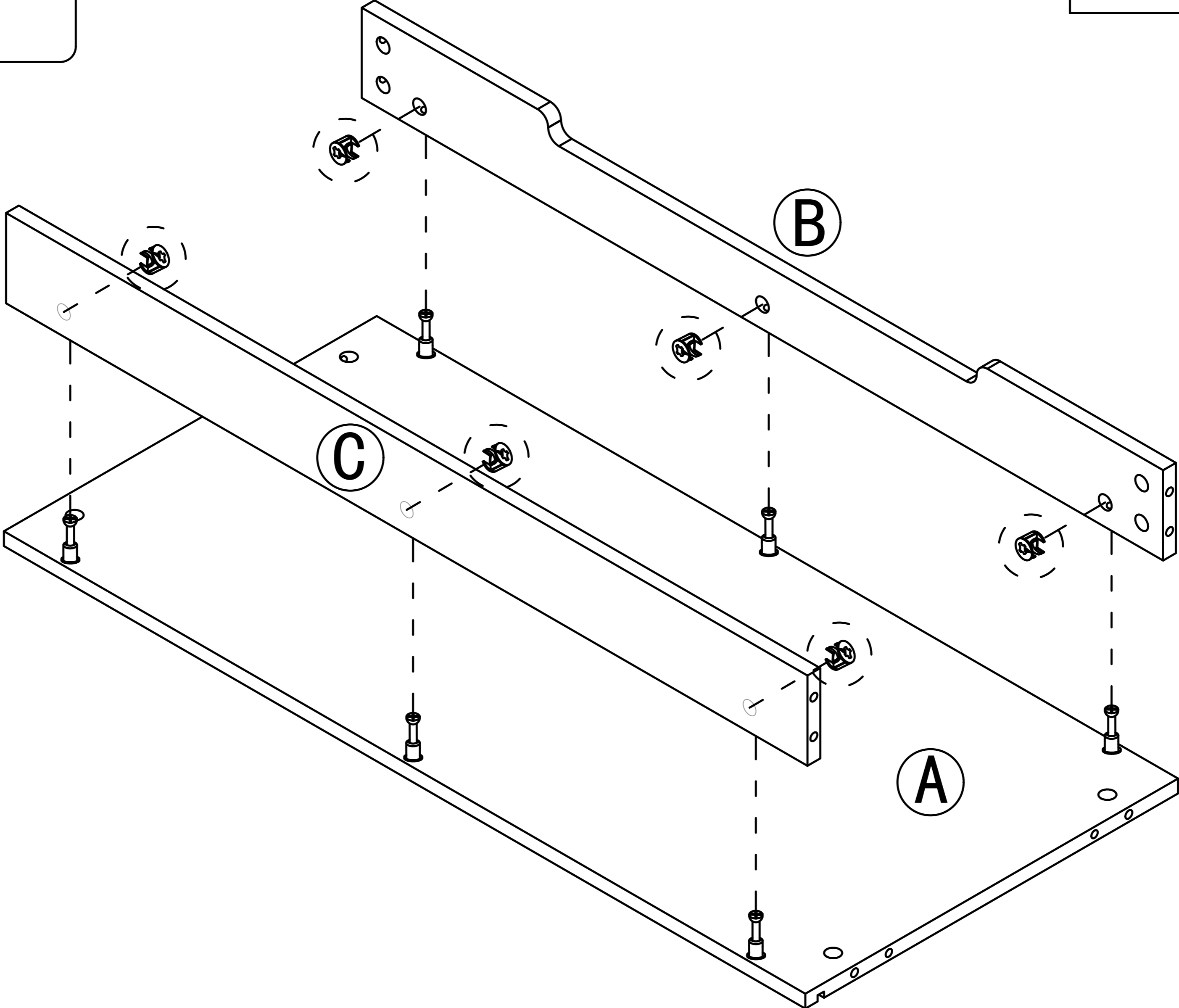
Disassemble along the direction of "-" sign

Step 1

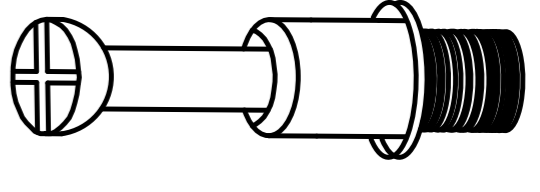


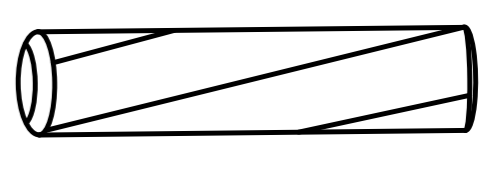
Step 2

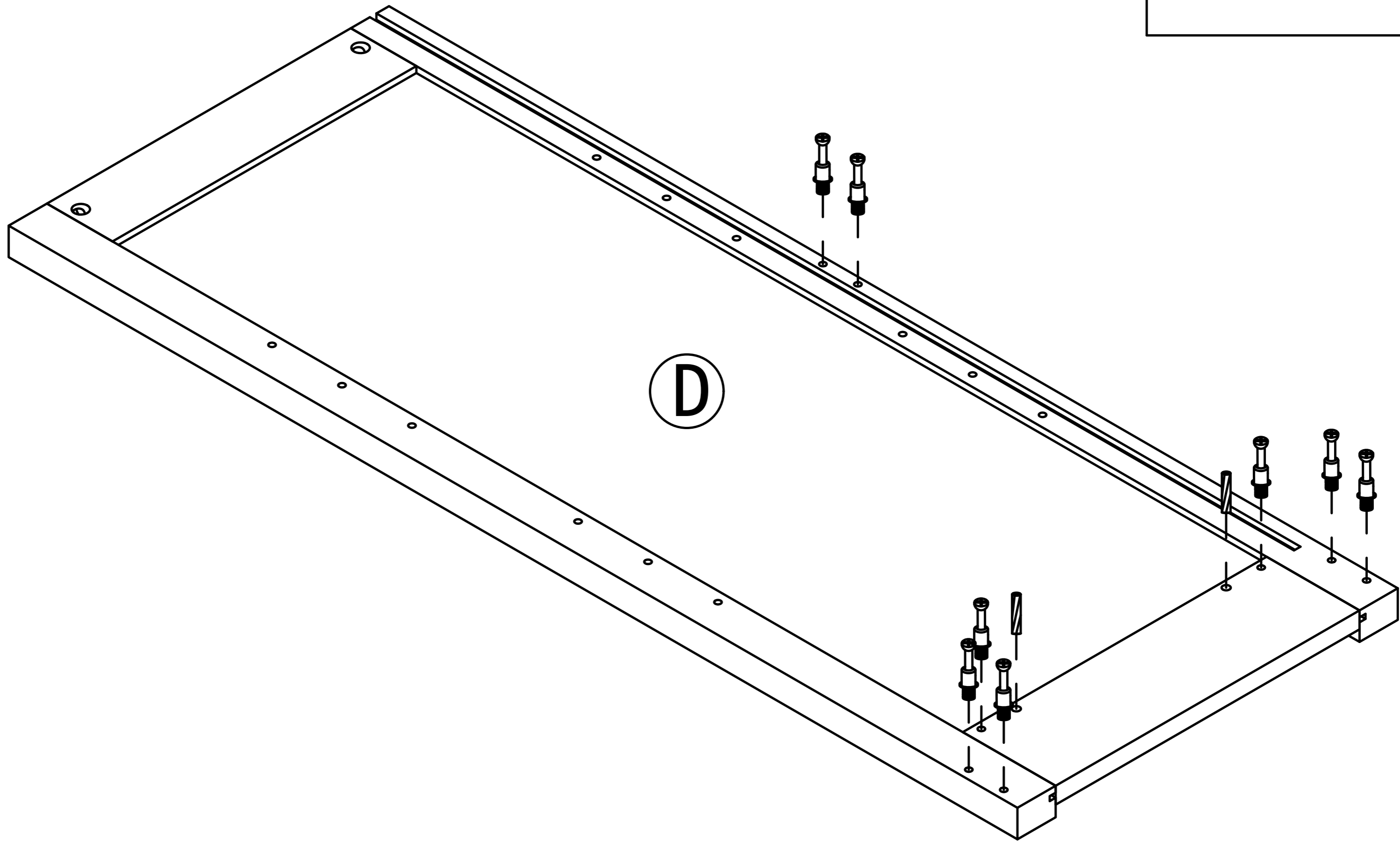
②  x6



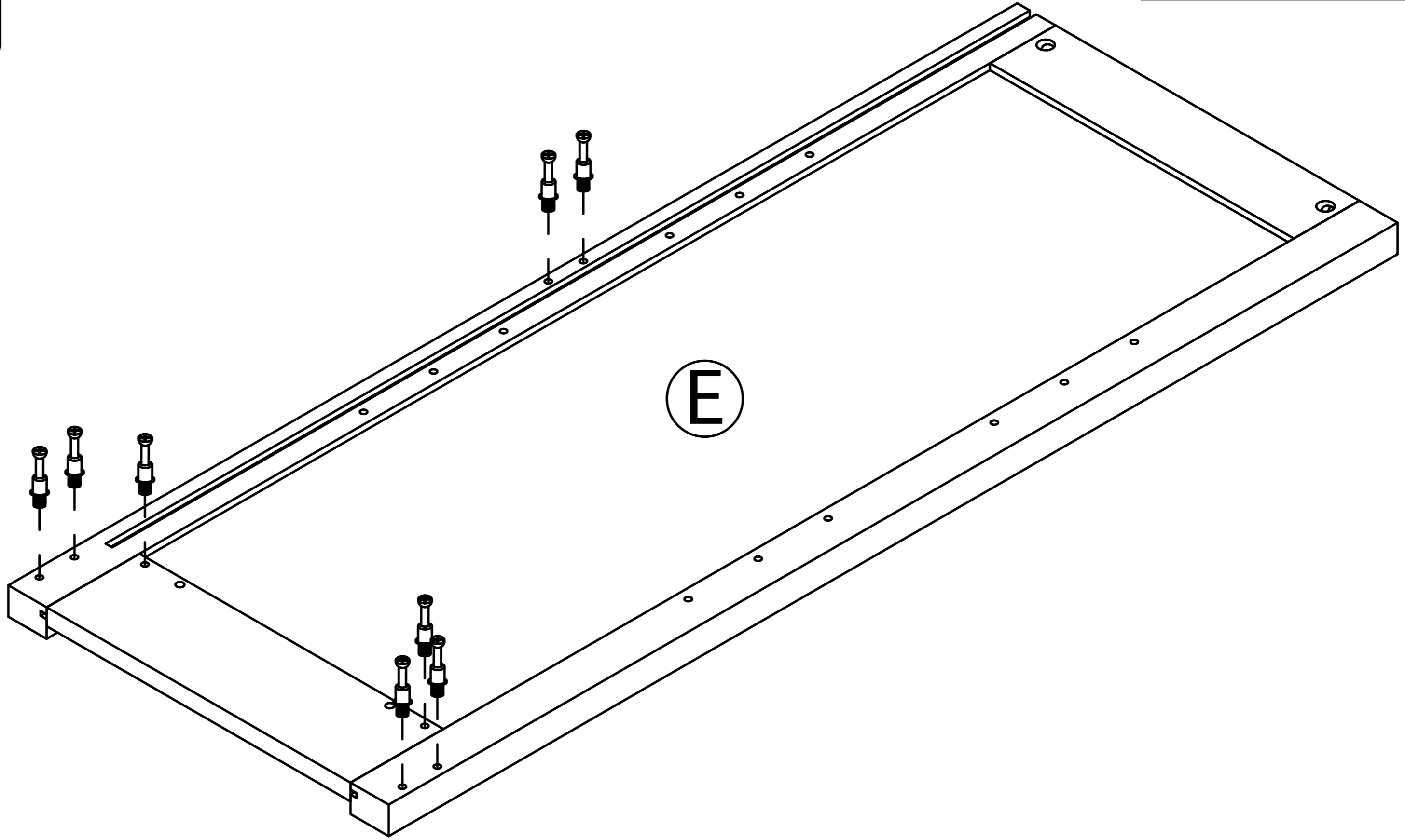
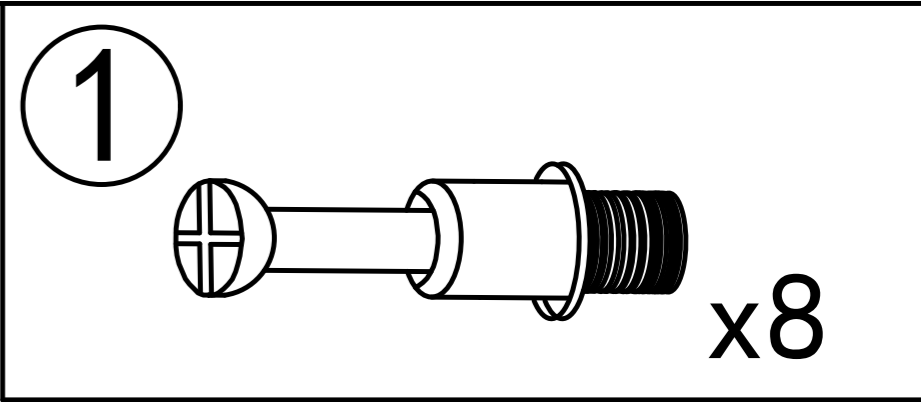
Step 3

①  x8

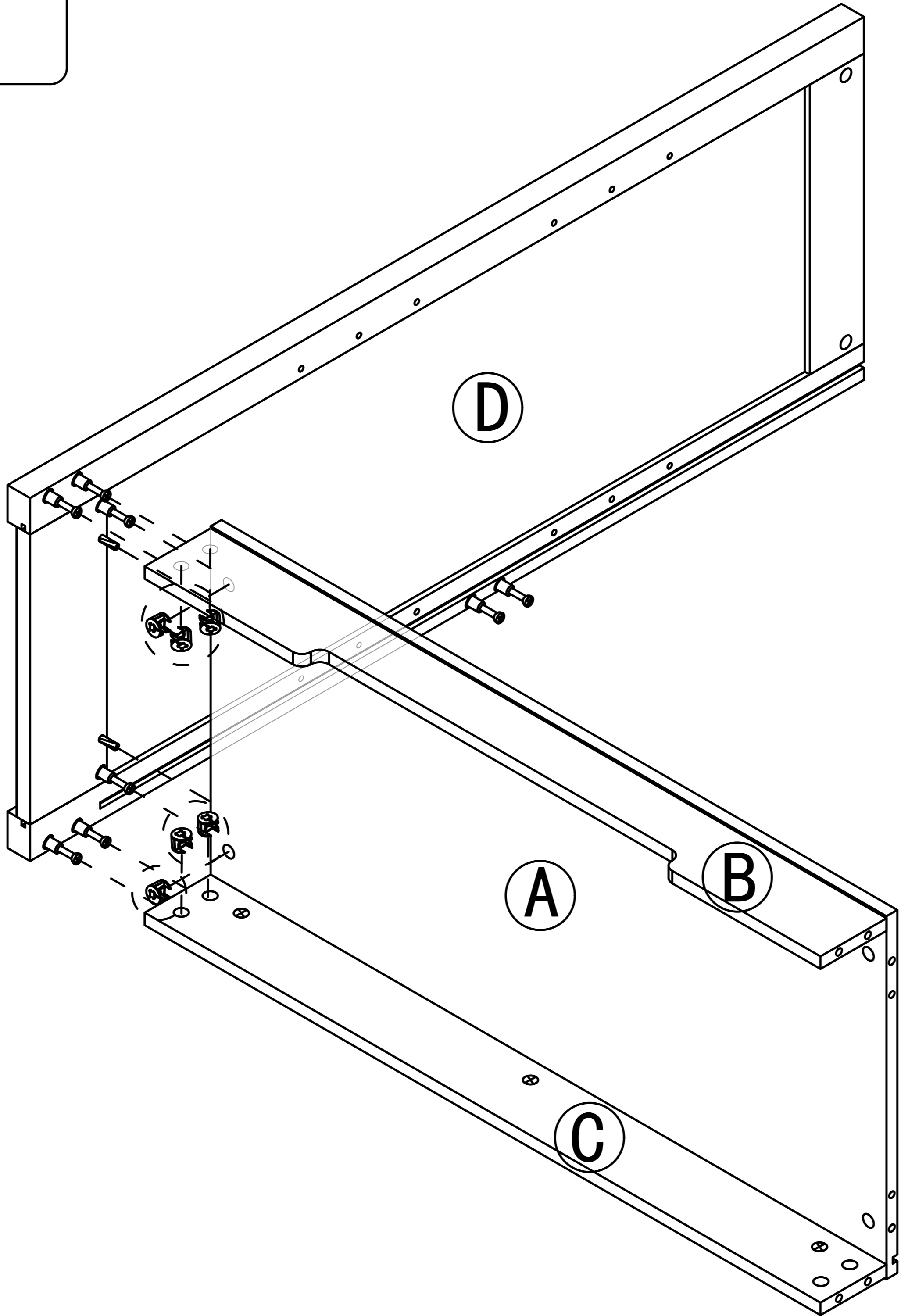
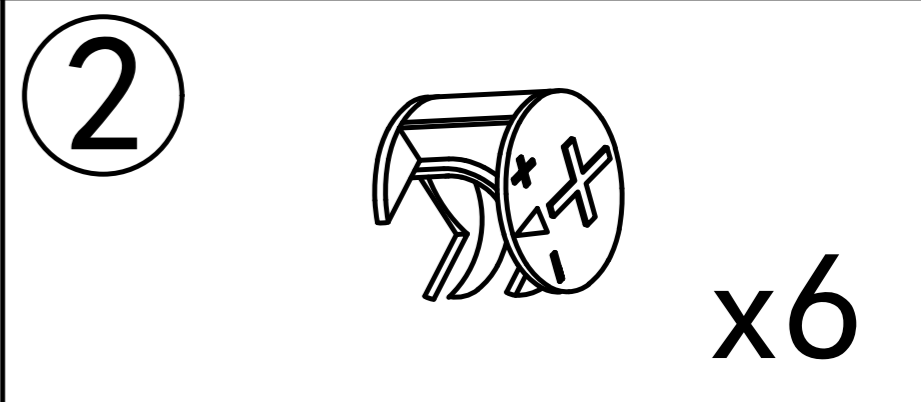
③  x2



Step 4

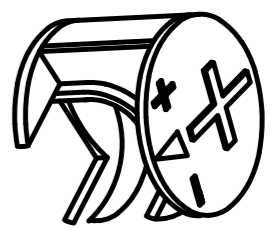


Step 5

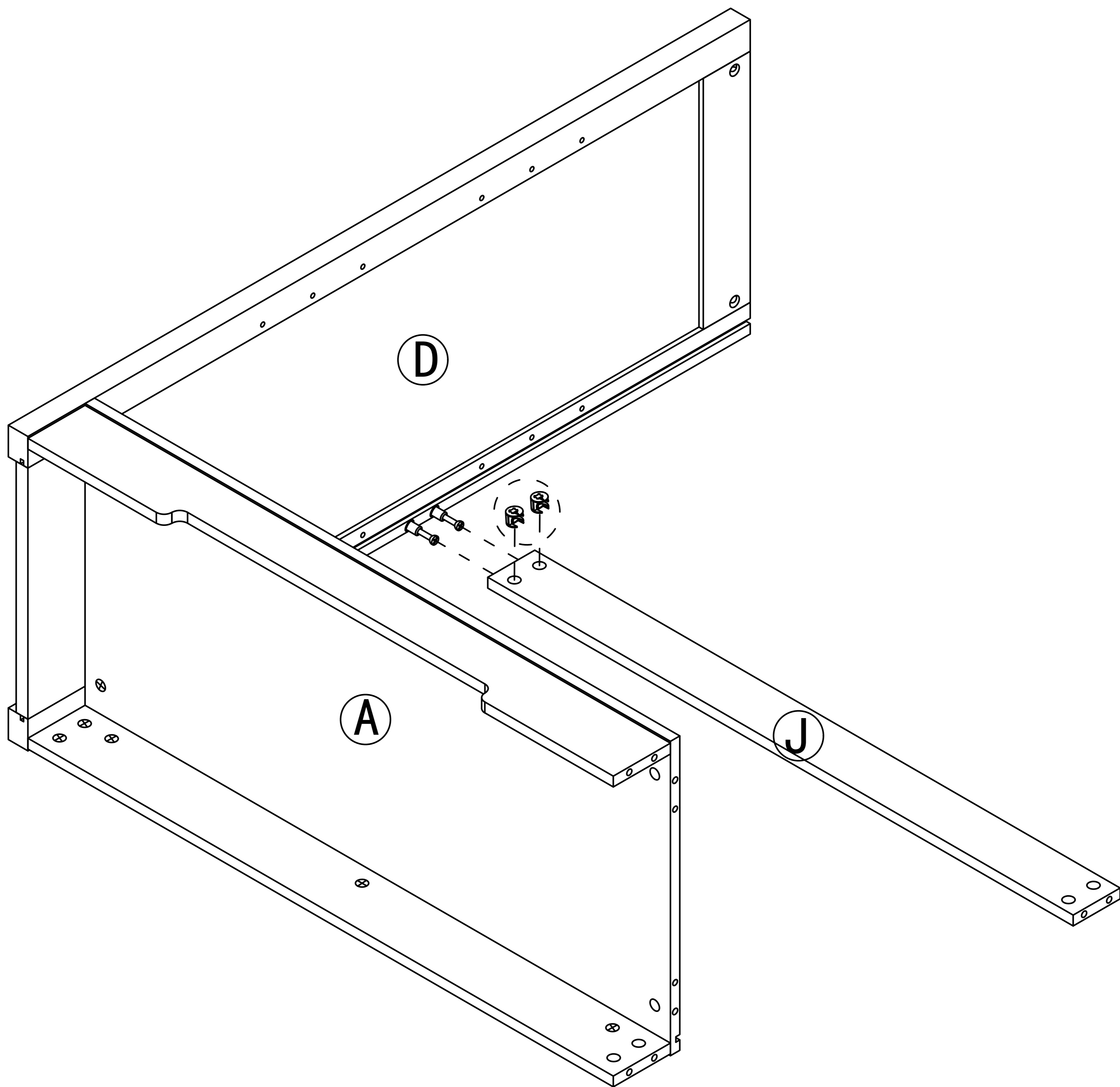


Step 6

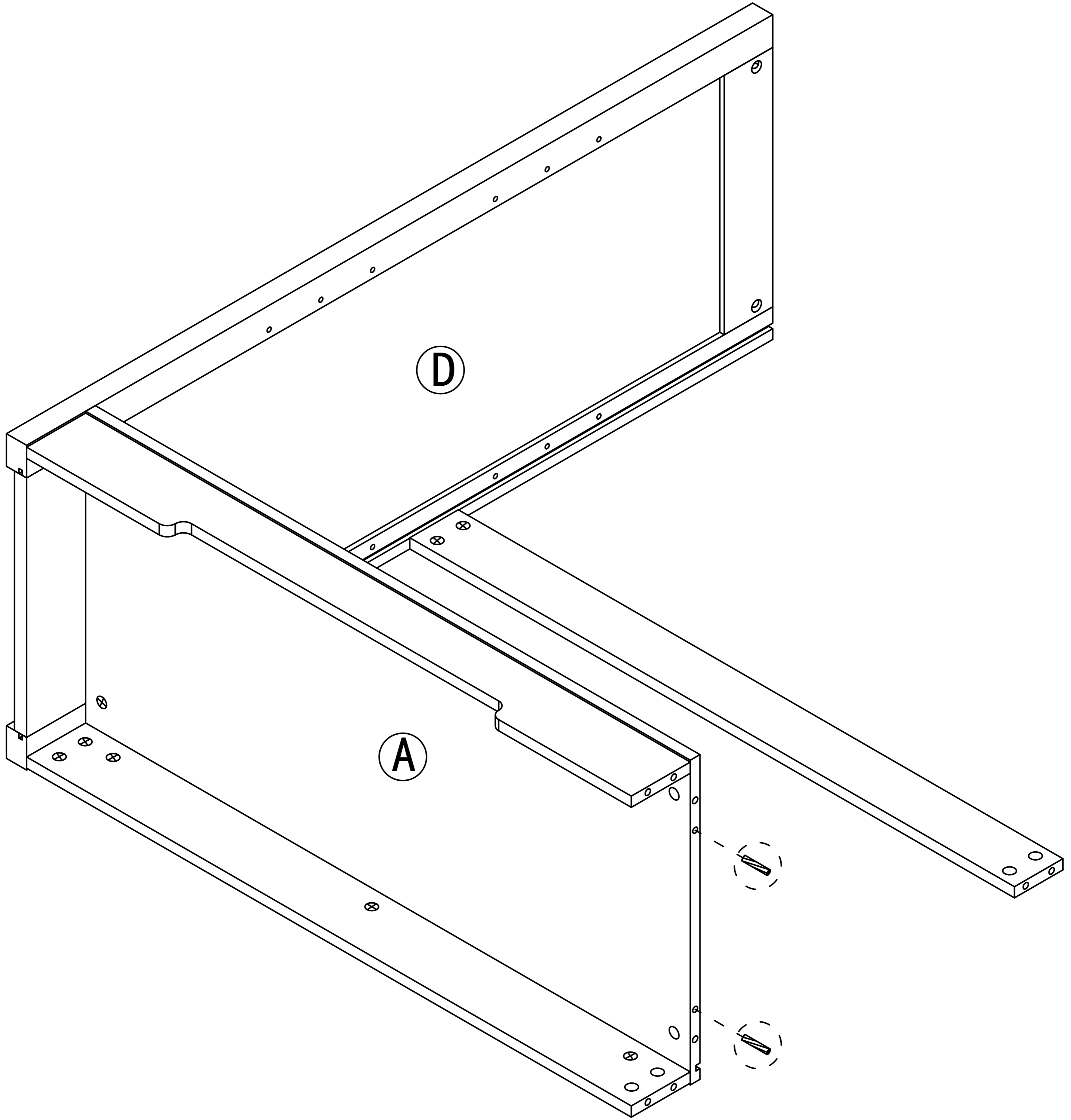
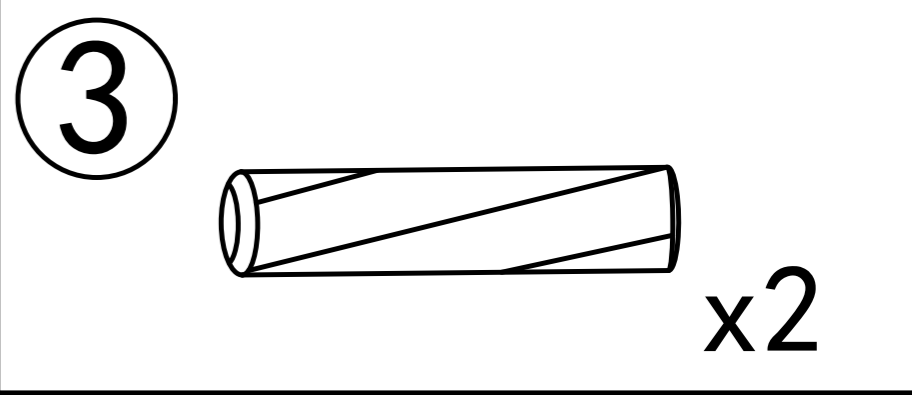
2



x2

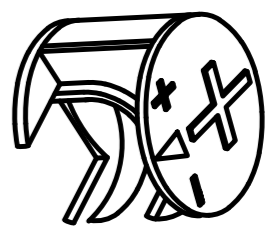


Step 7

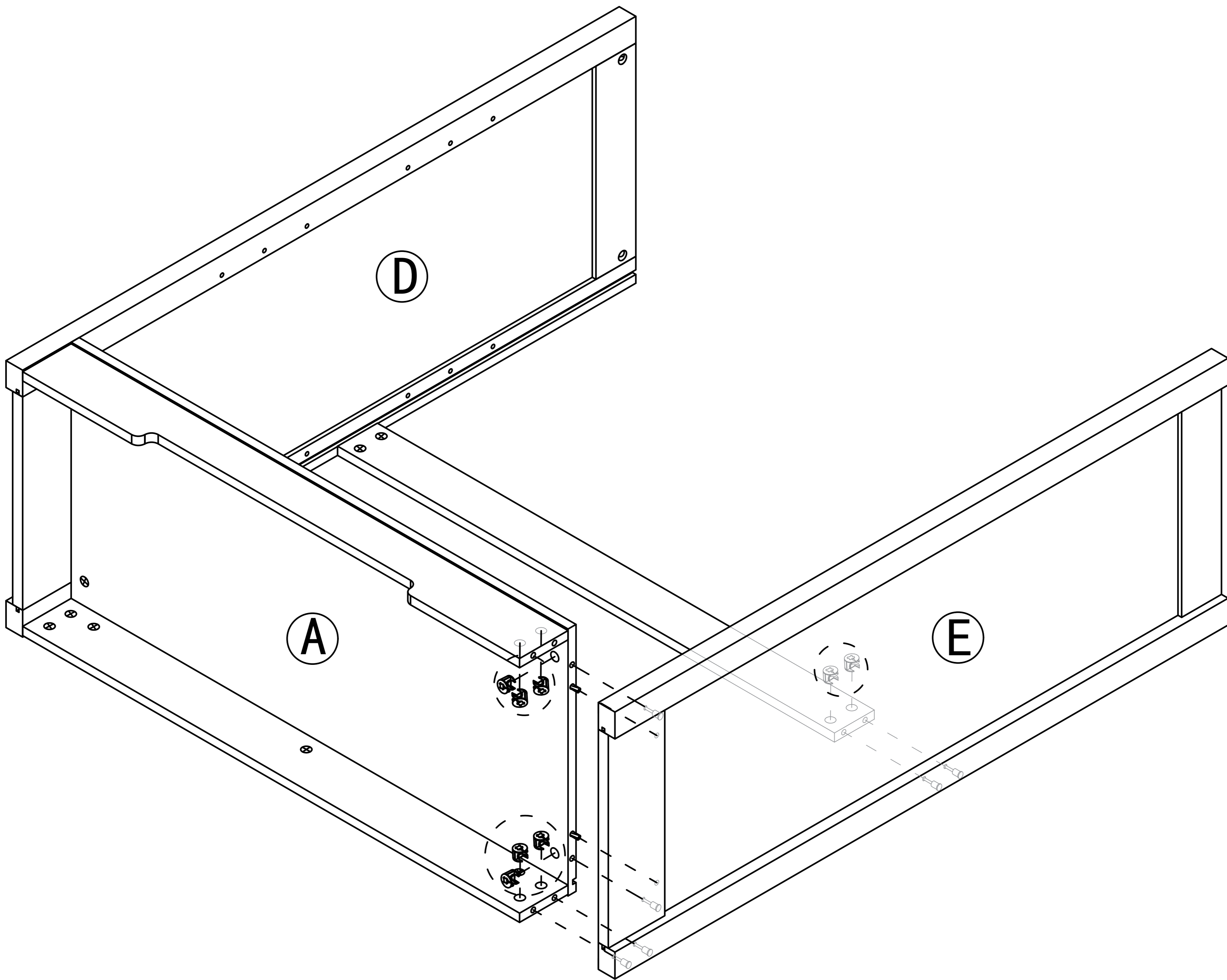


Step 8

2

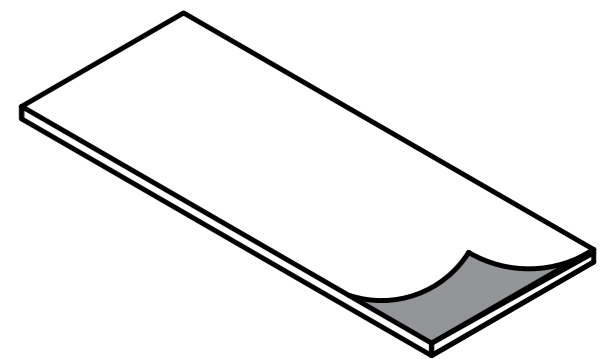


x8



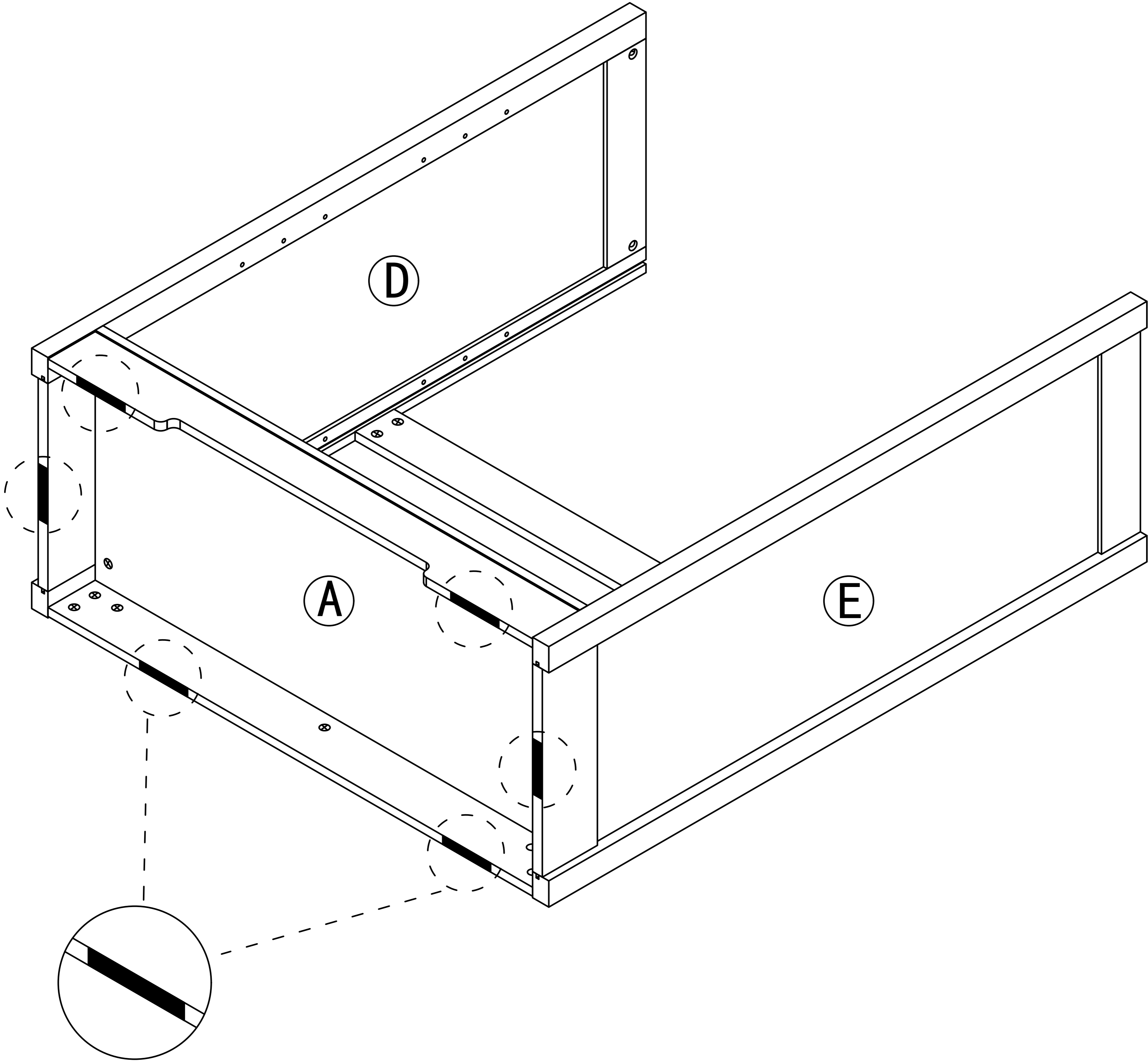
Step 9

4


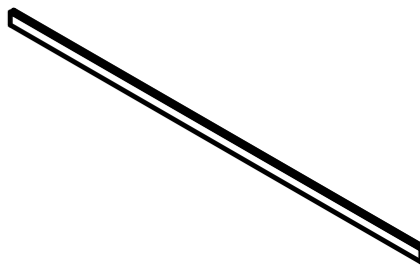


x6

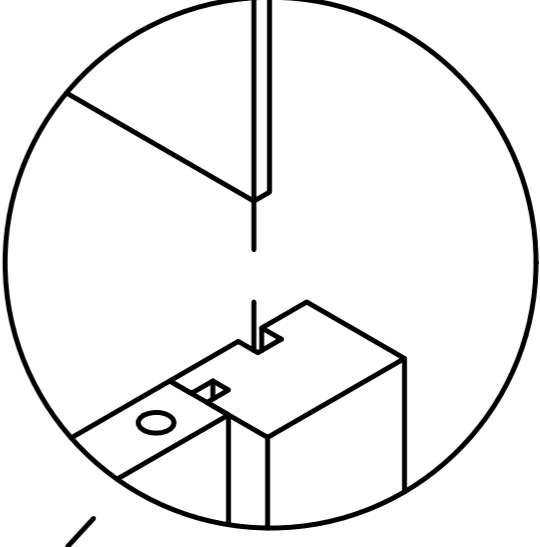
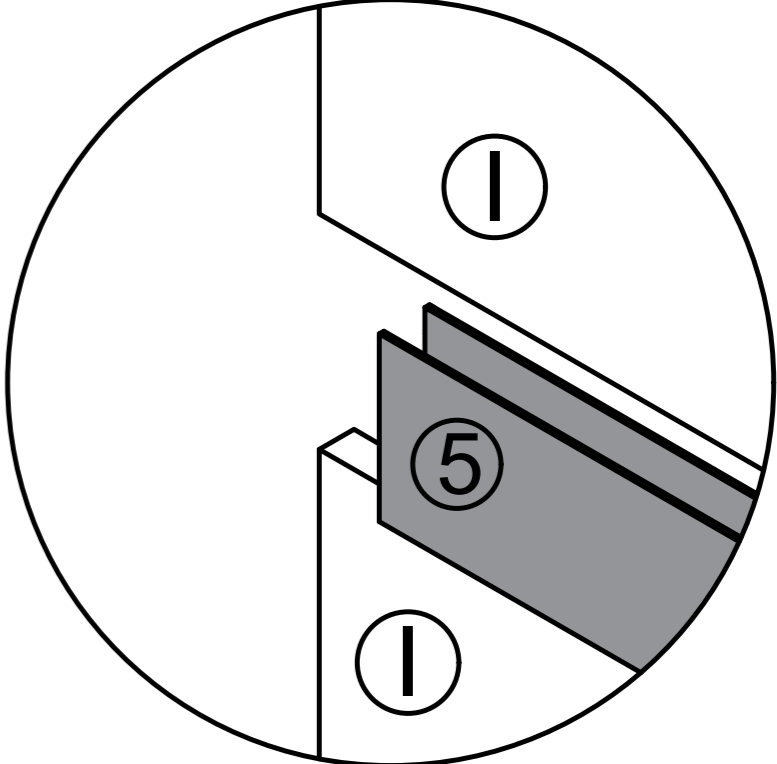
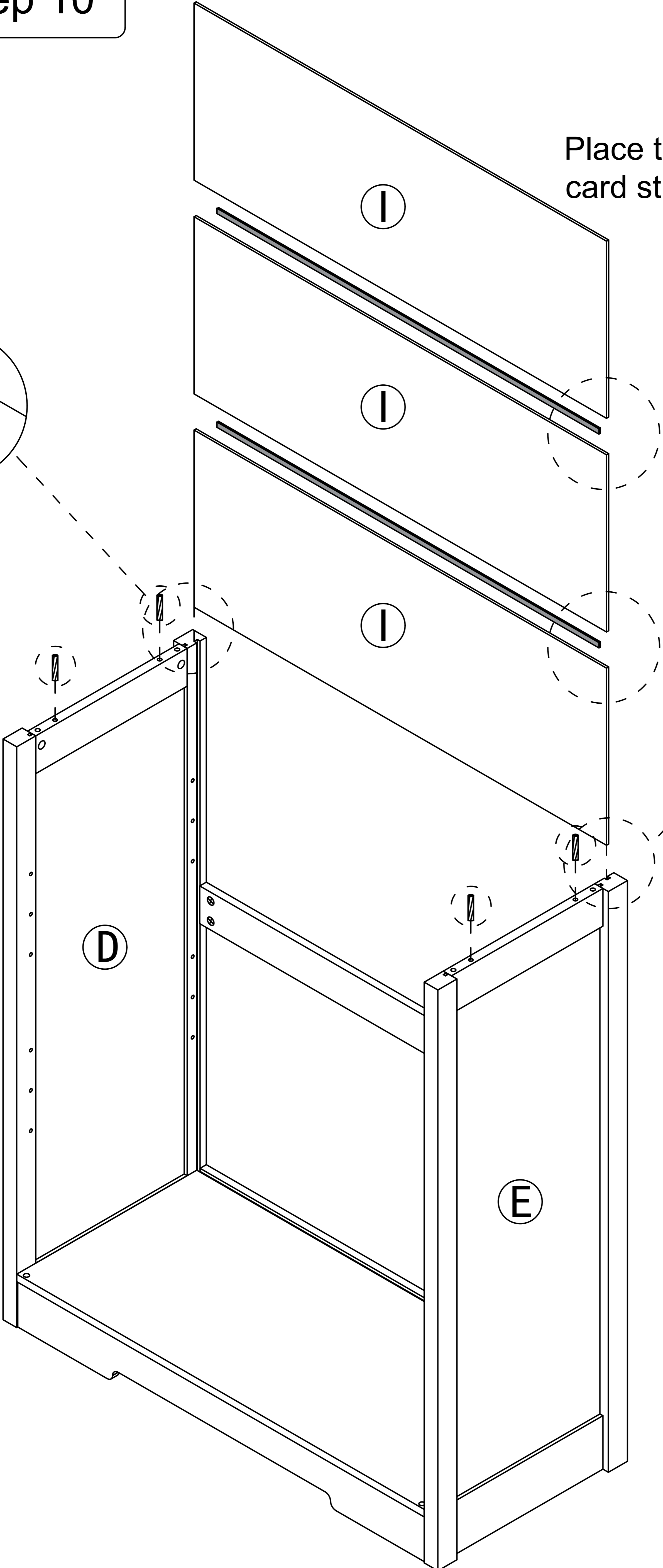
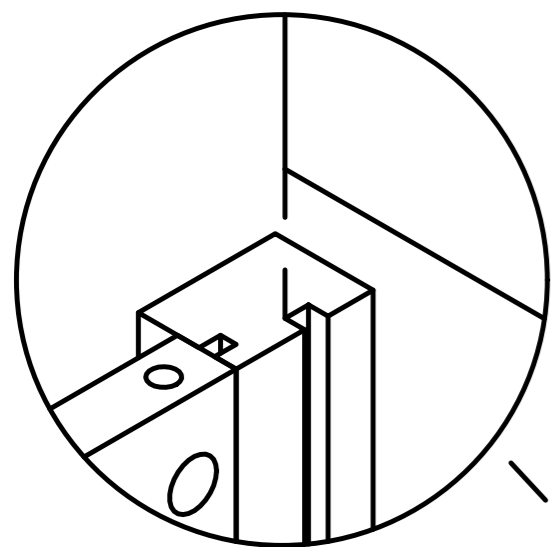
Tear off release paper and stick the black foot pad on the board



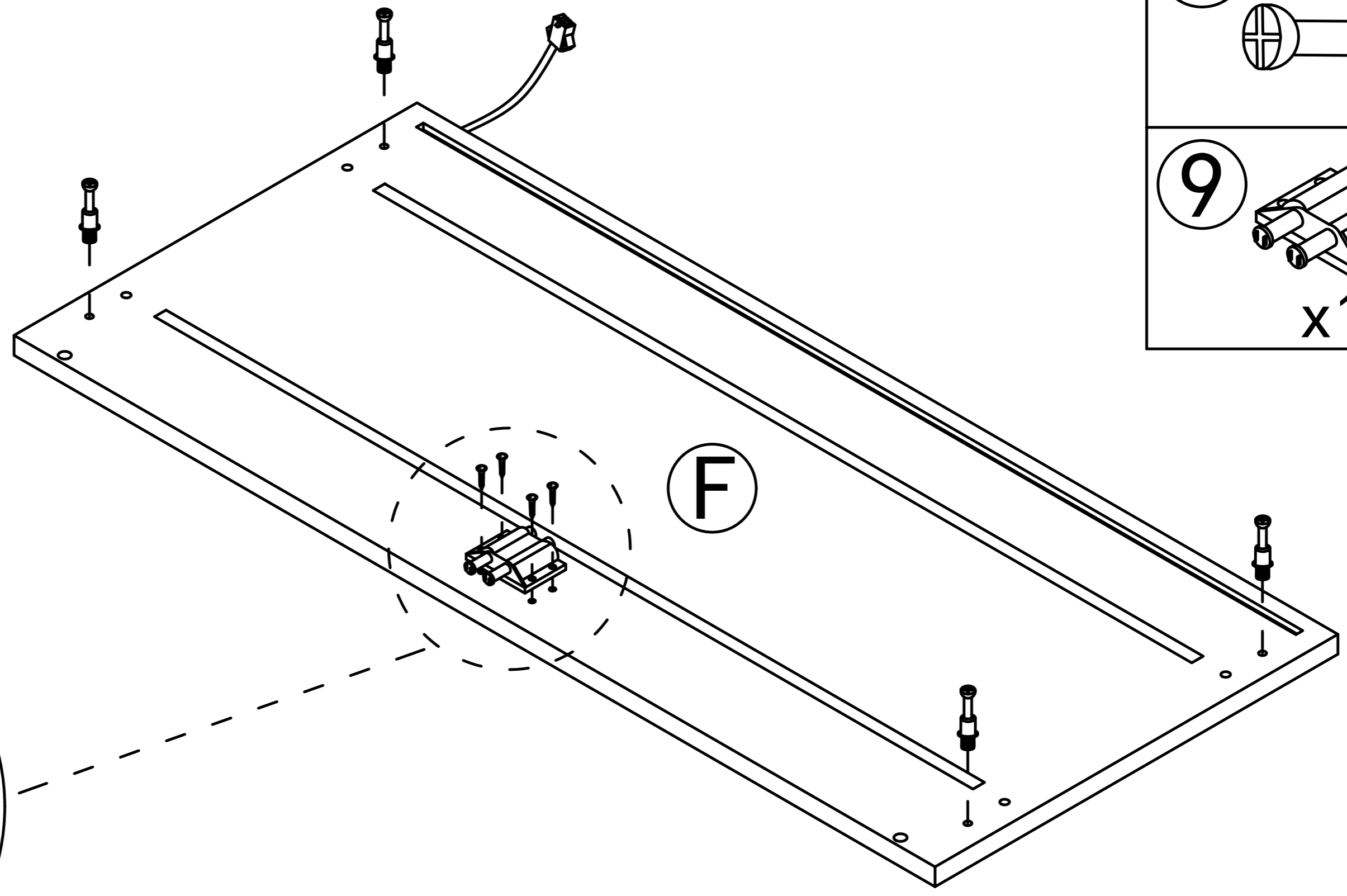
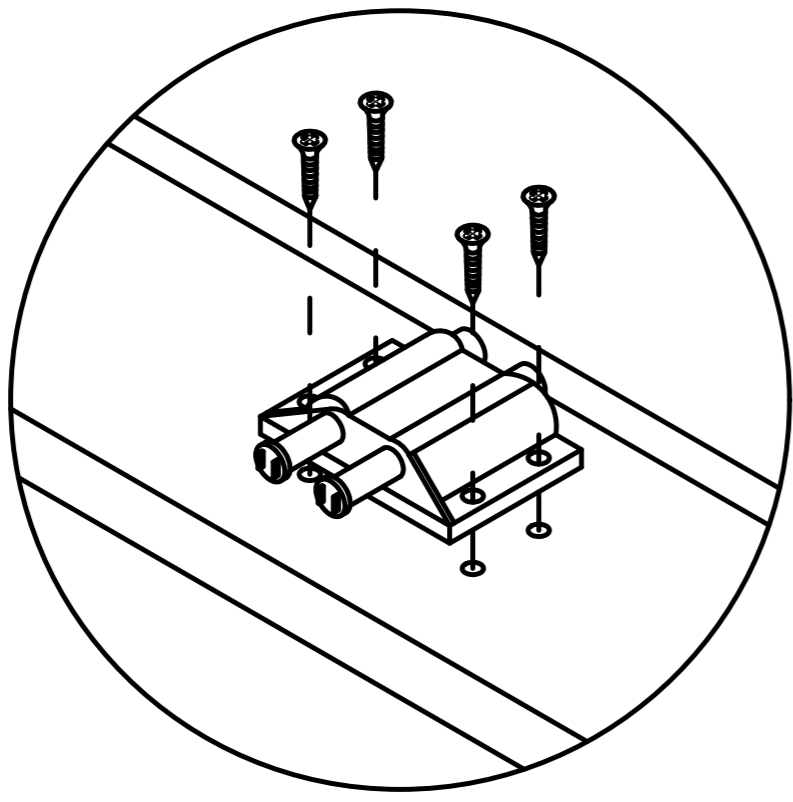
Step 10

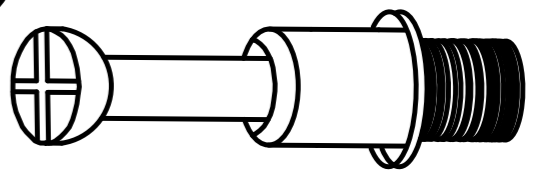
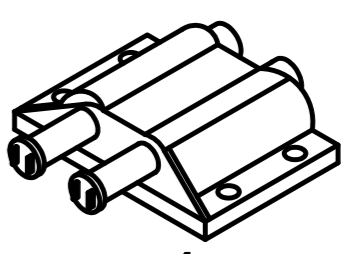
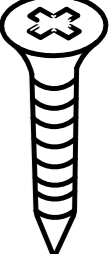
- ③  x4
- ⑤  x2

Place the "I" board, Backboard card strip, and "I" board in order

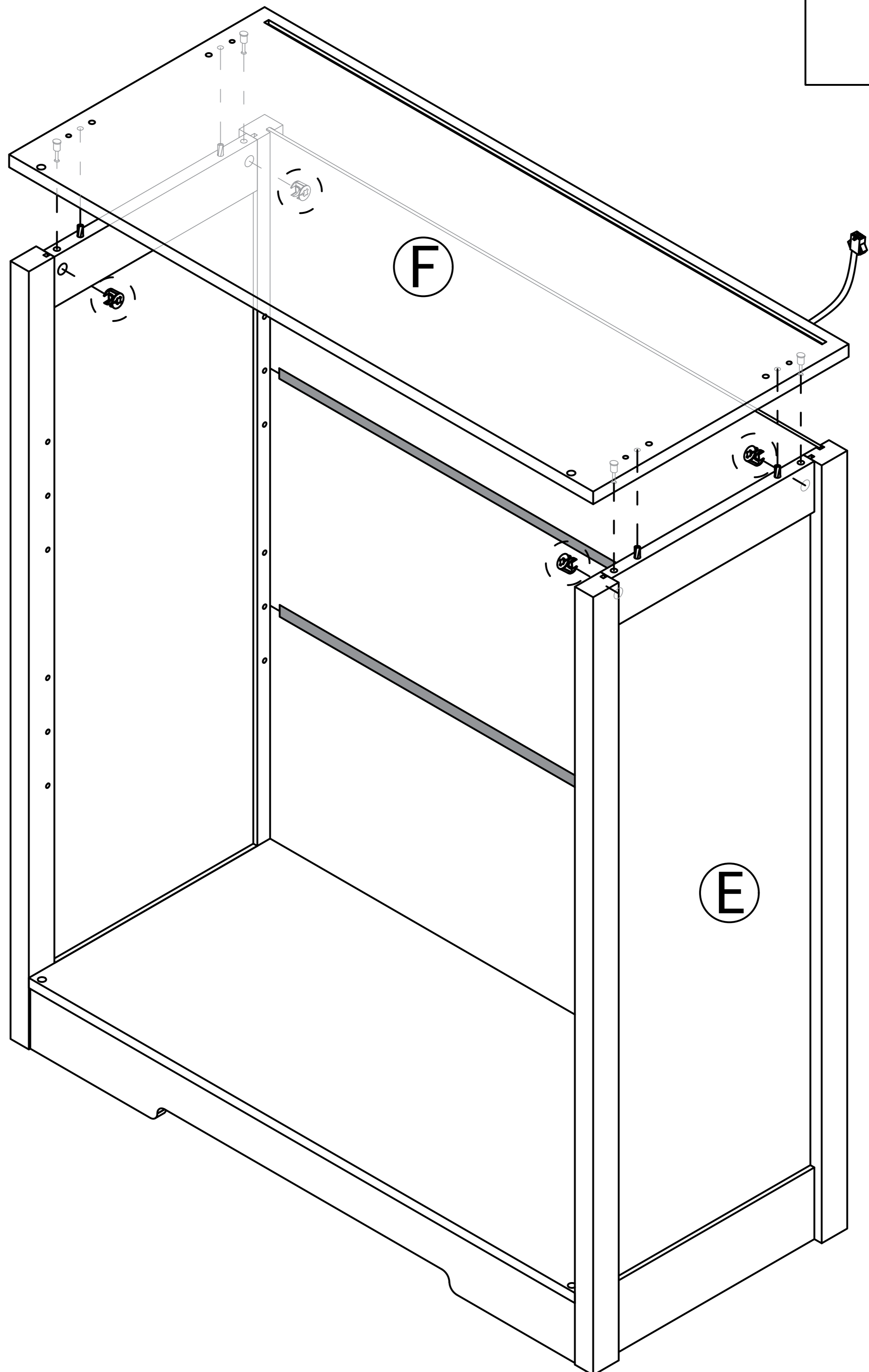


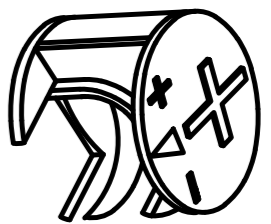
Step 11



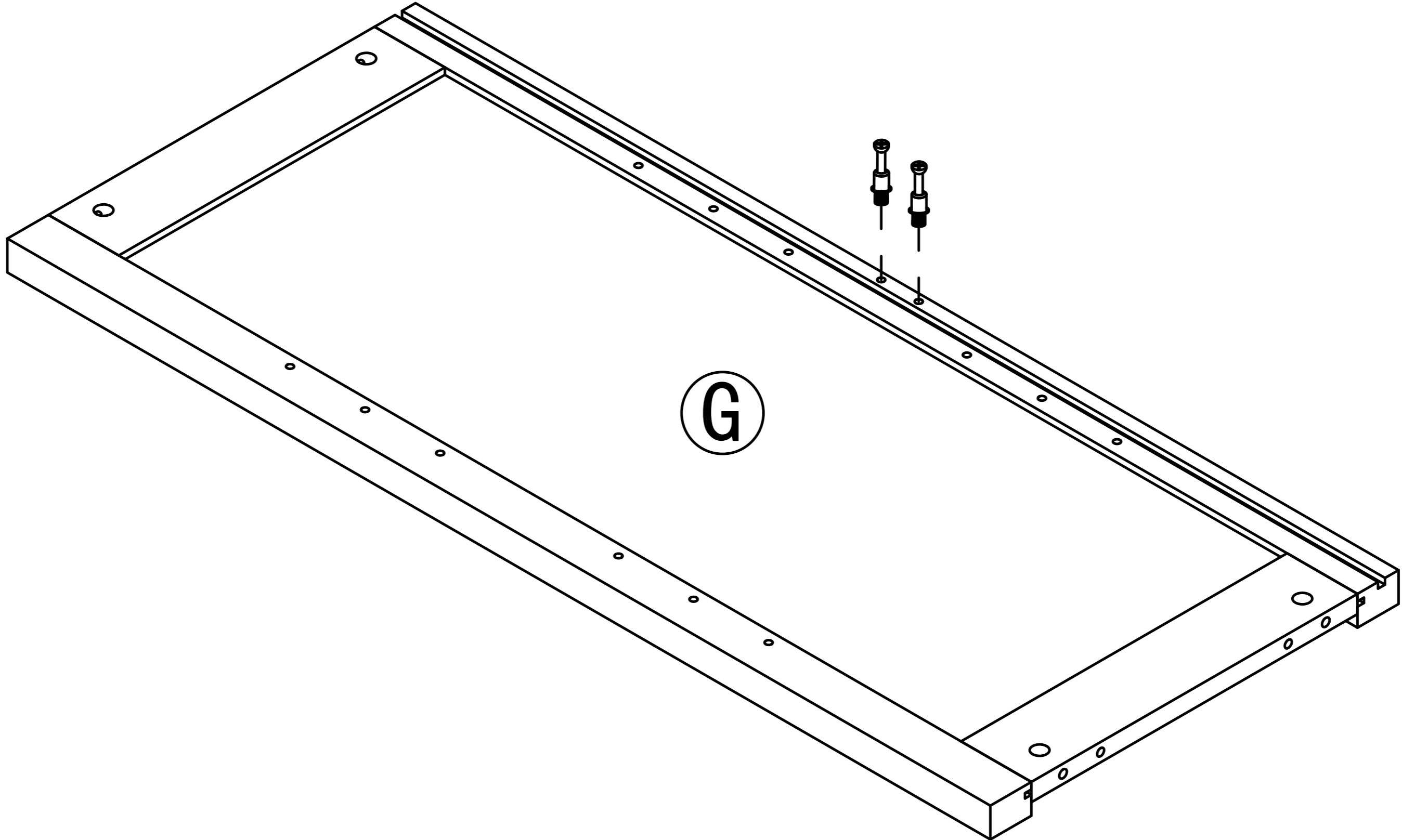
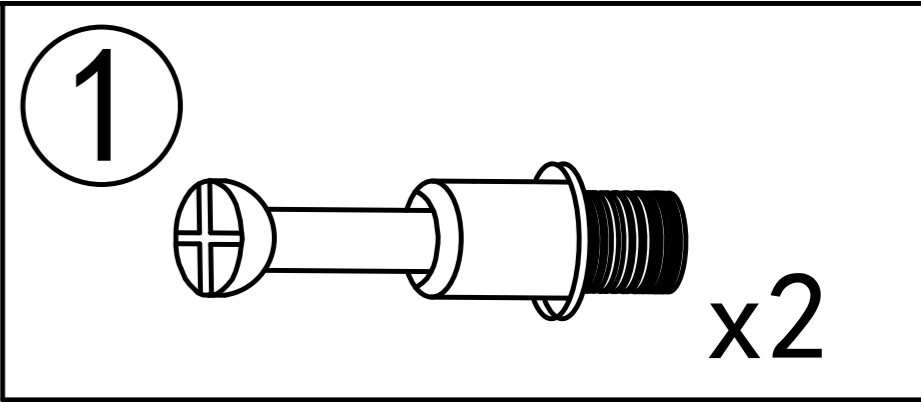
- ①  x4
- ⑨  x1  x4

Step 12

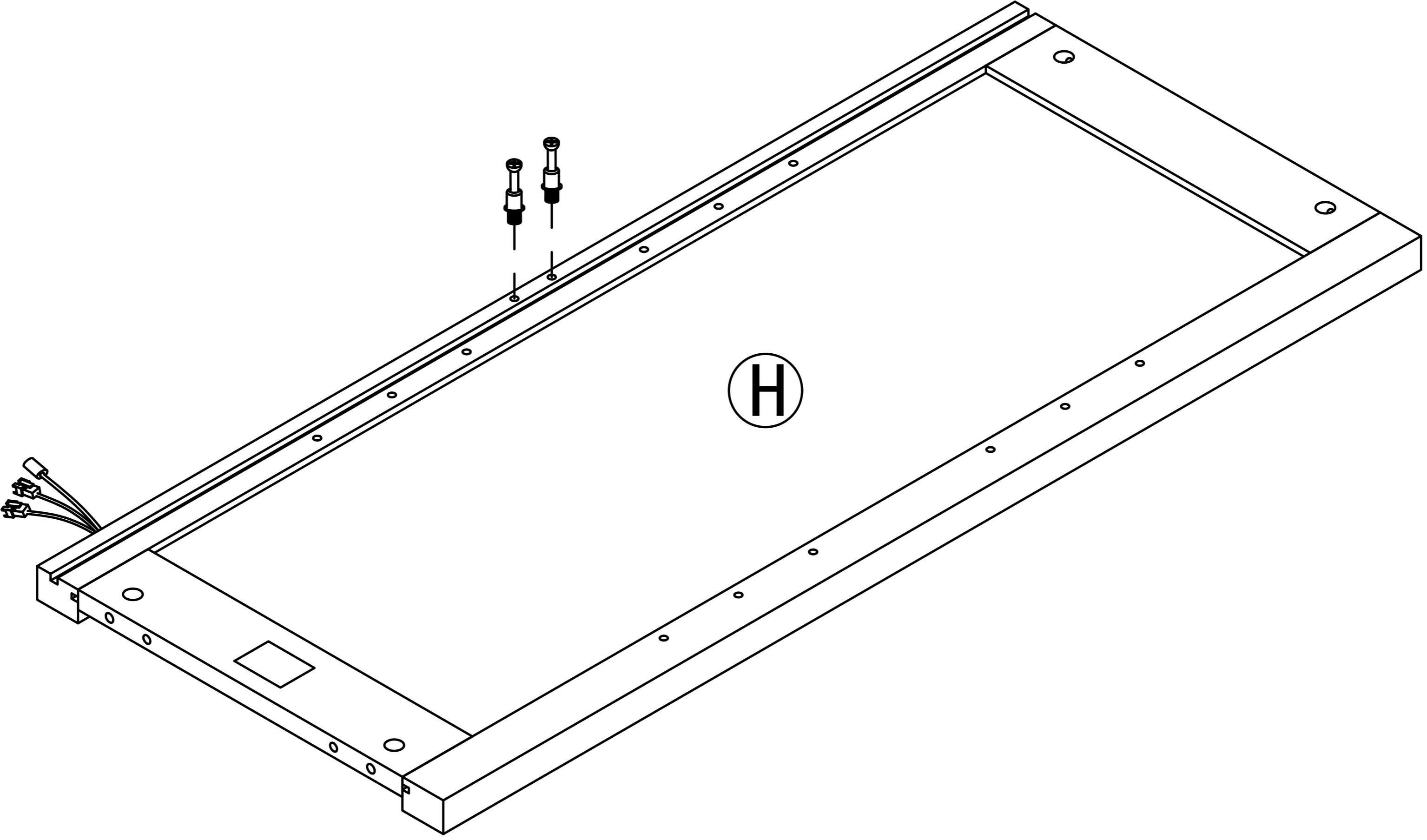
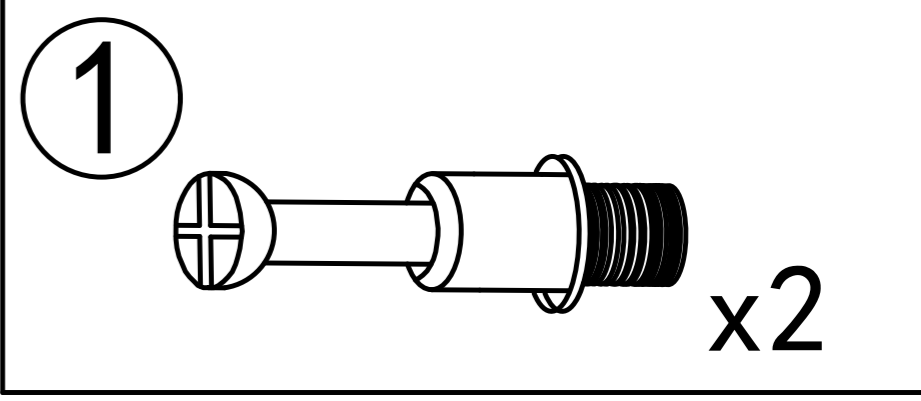


- ②  x4

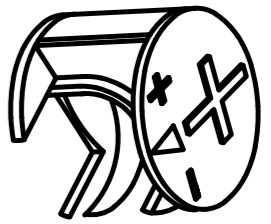
Step 13

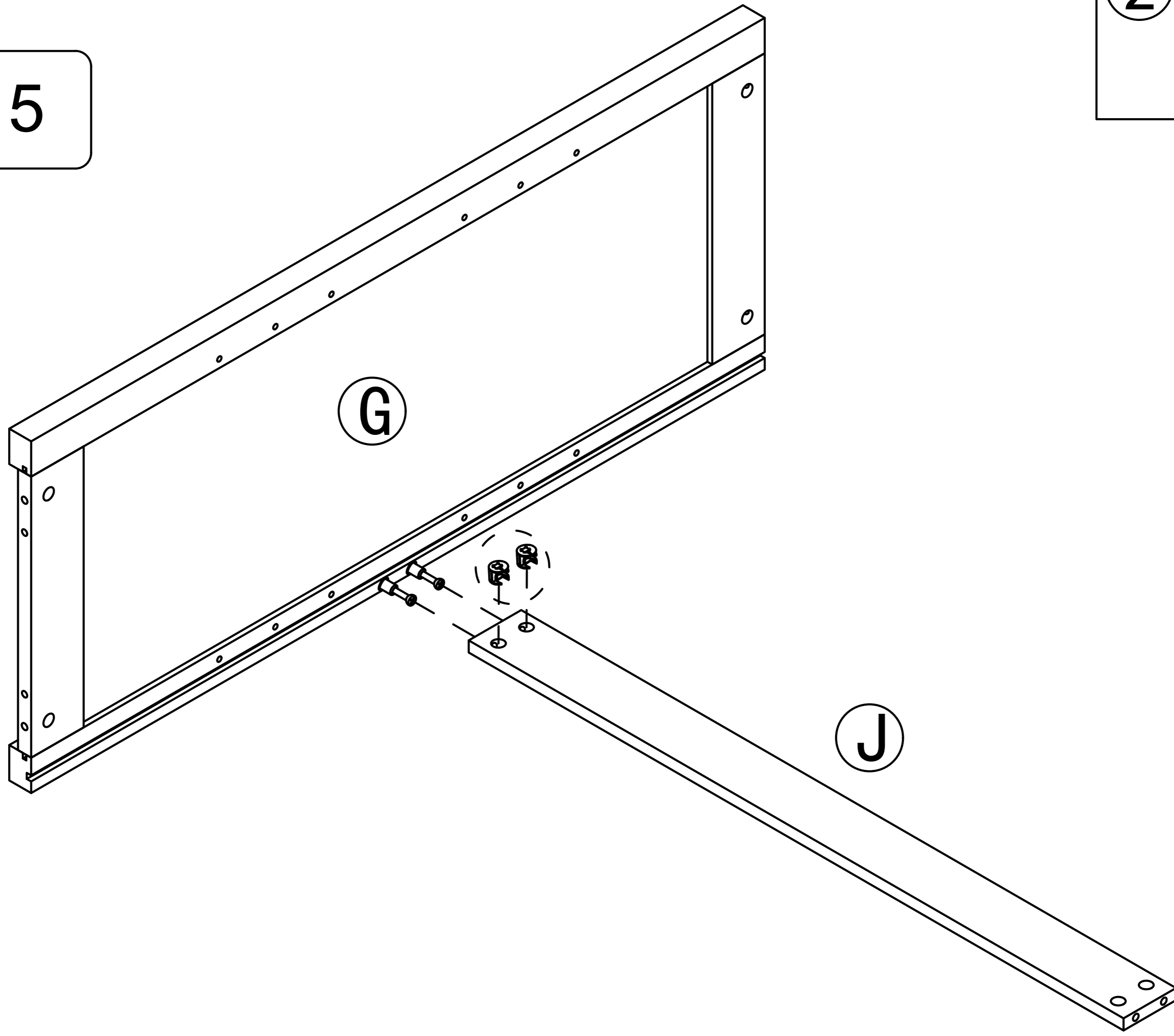


Step 14

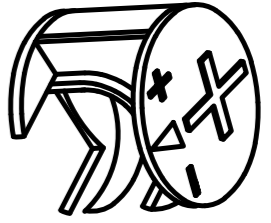


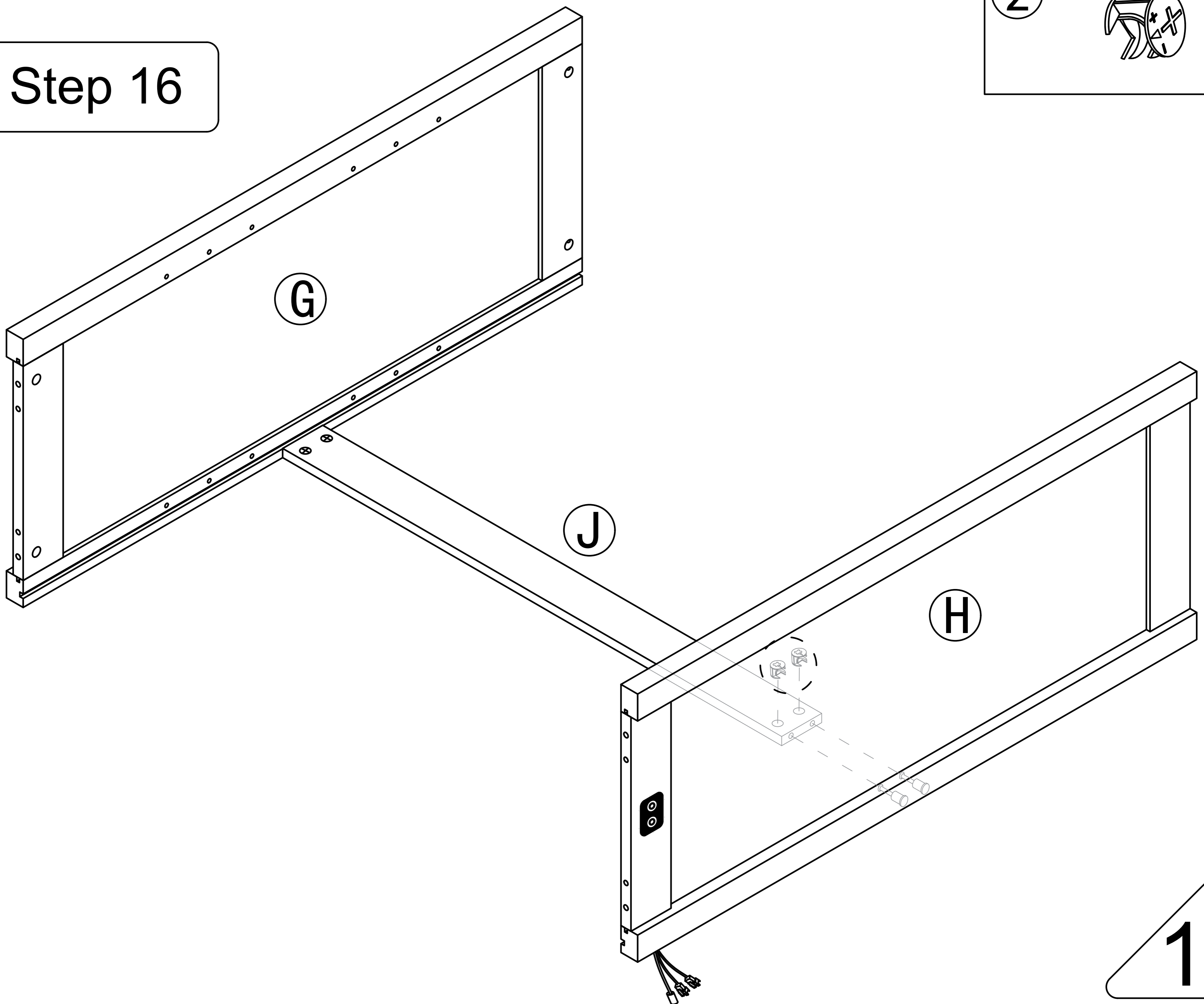
Step 15

②  x2

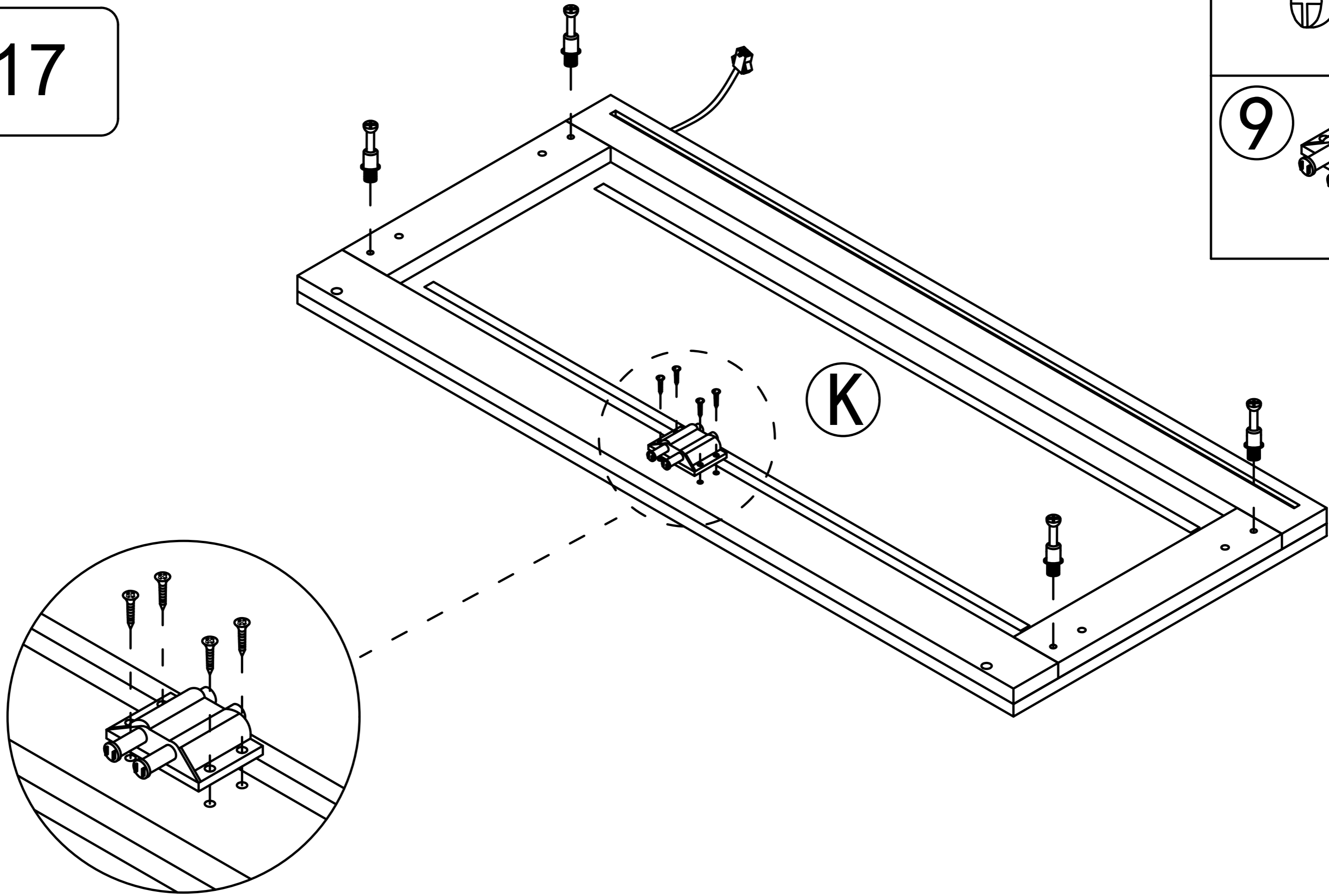


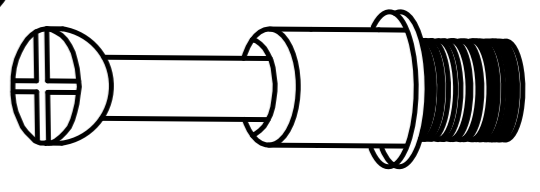
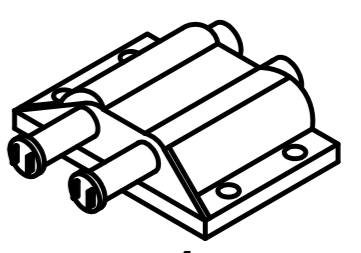
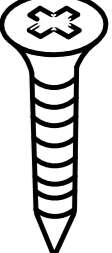
Step 16

②  x2

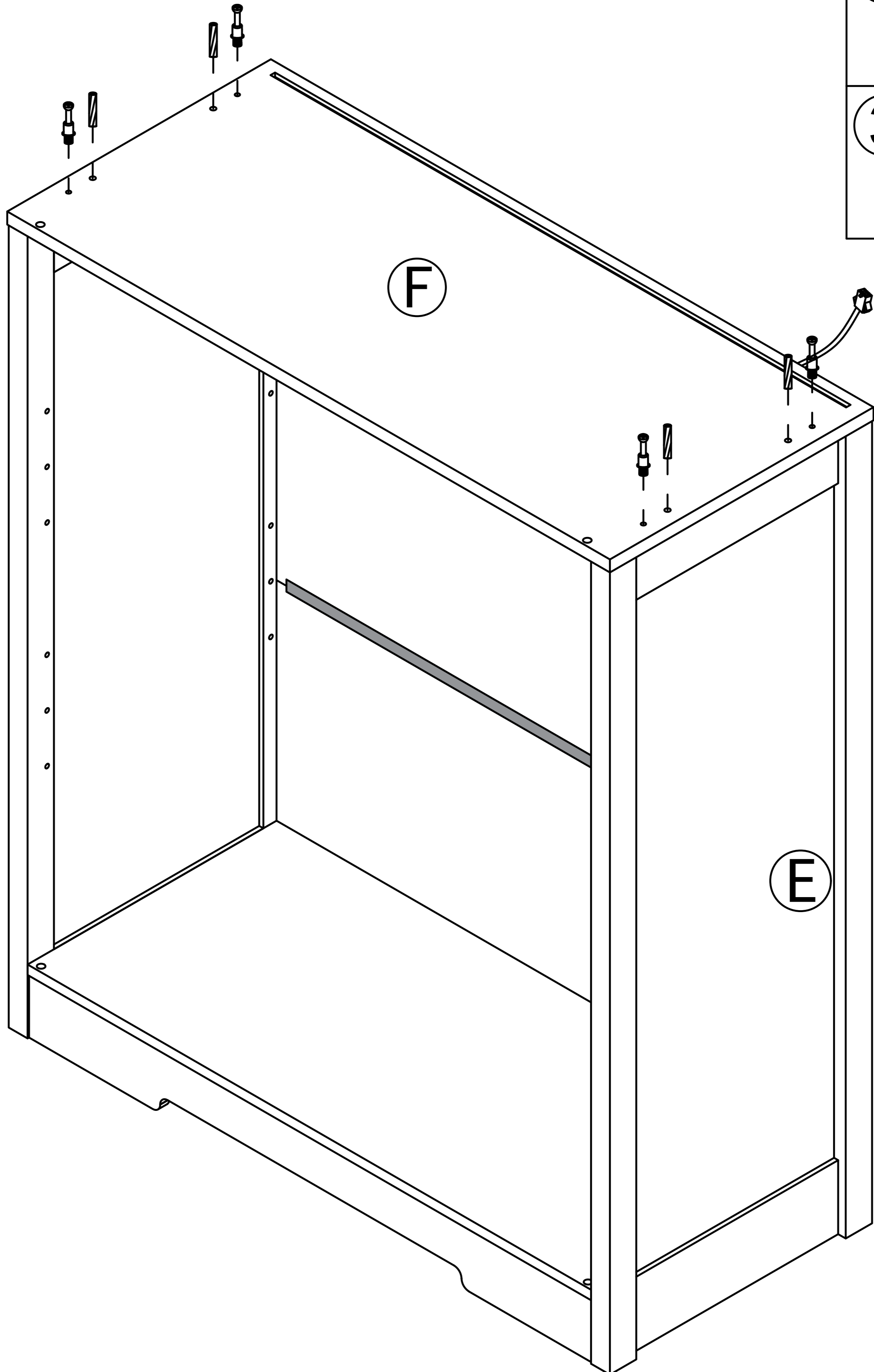


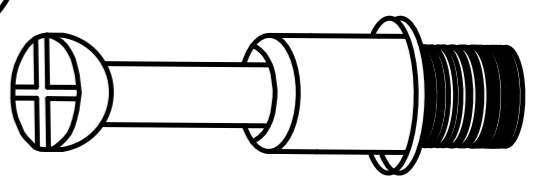
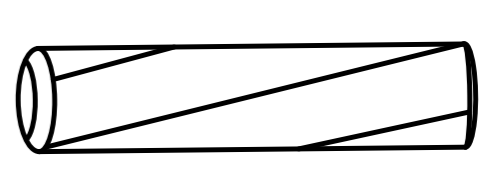
Step 17



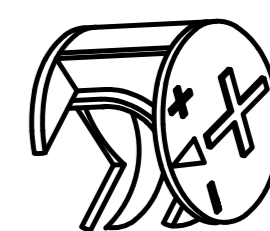
- ①  x4
- ⑨  x1  x4

Step 18



- ①  x4
- ③  x4

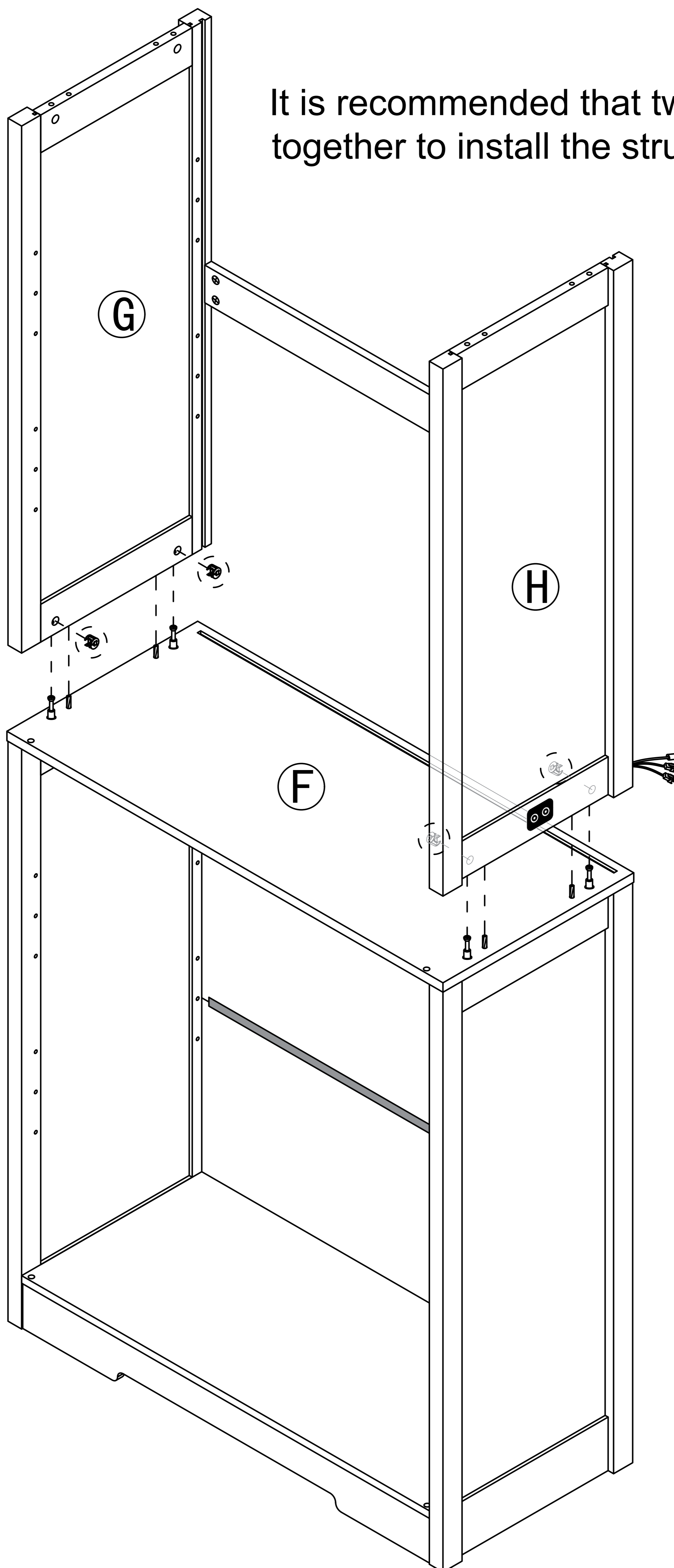
2




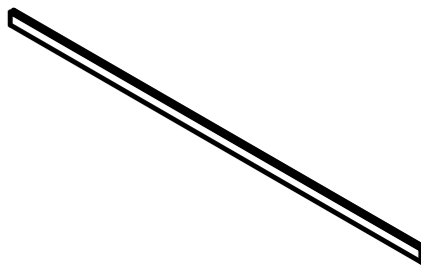
x4

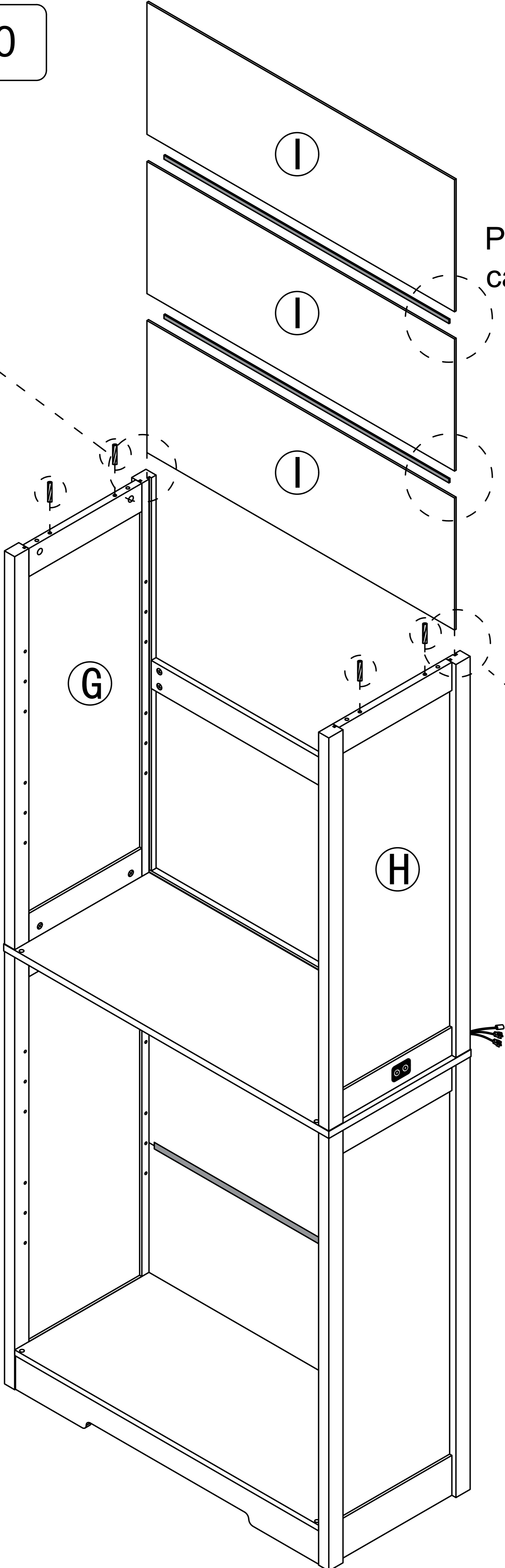
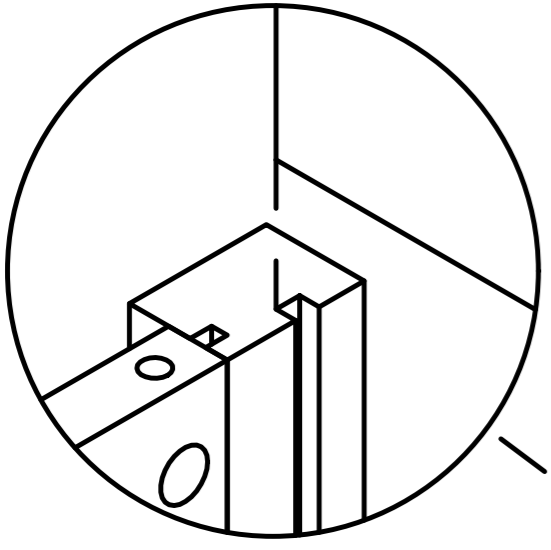
Step 19

It is recommended that two people work together to install the structural wood panels.

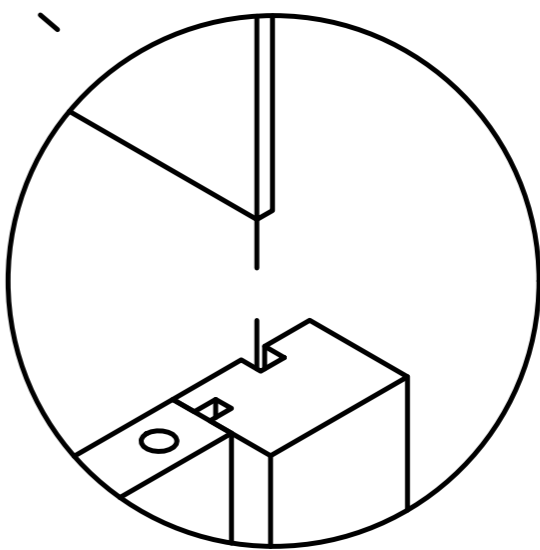
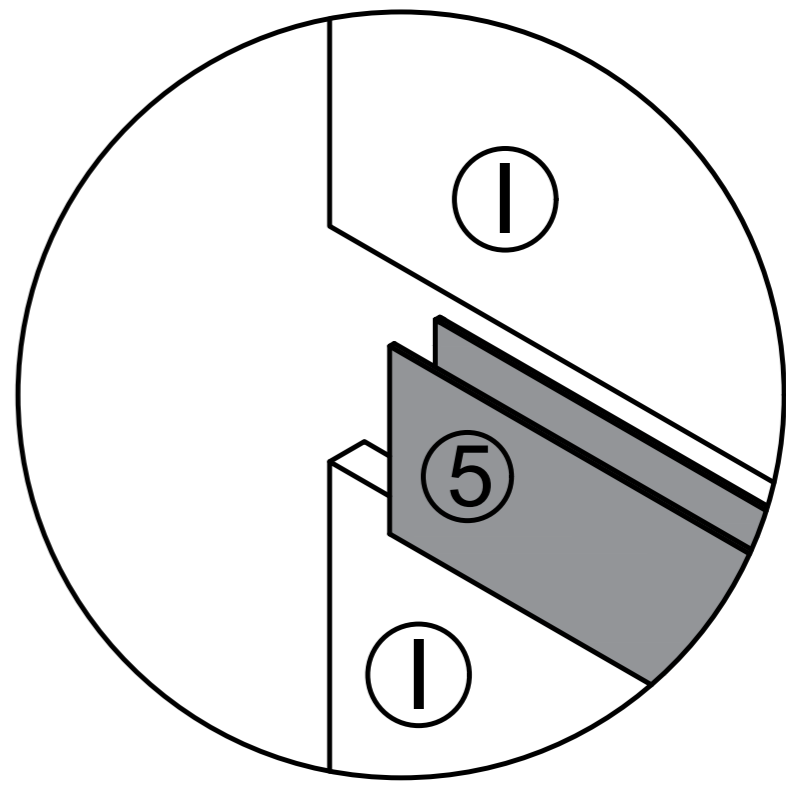


Step 20

- ③  x4
- ⑤  x2

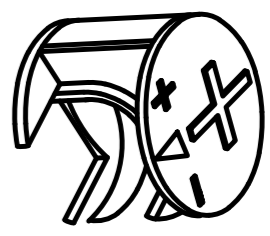


Place the "I" board, Backboard card strip, and "I" board in order

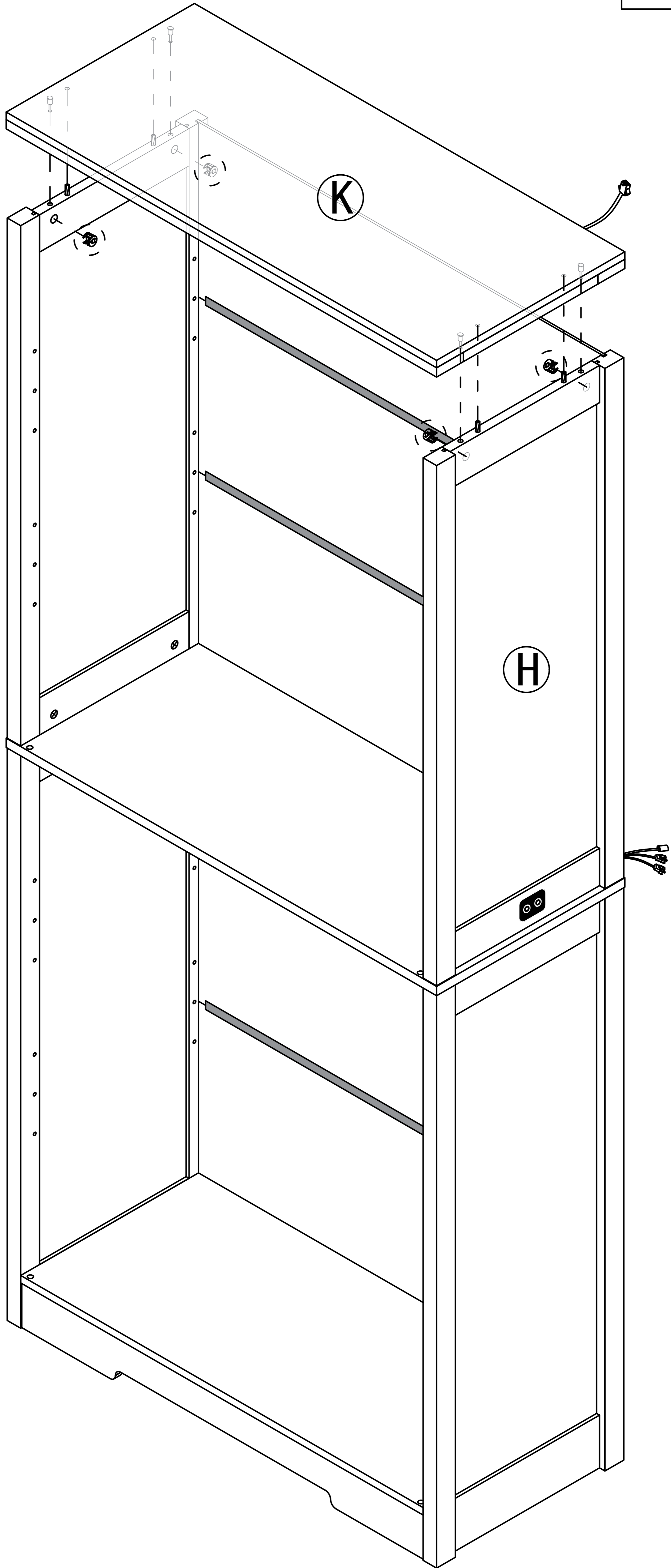


Step 21

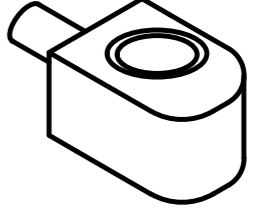
2

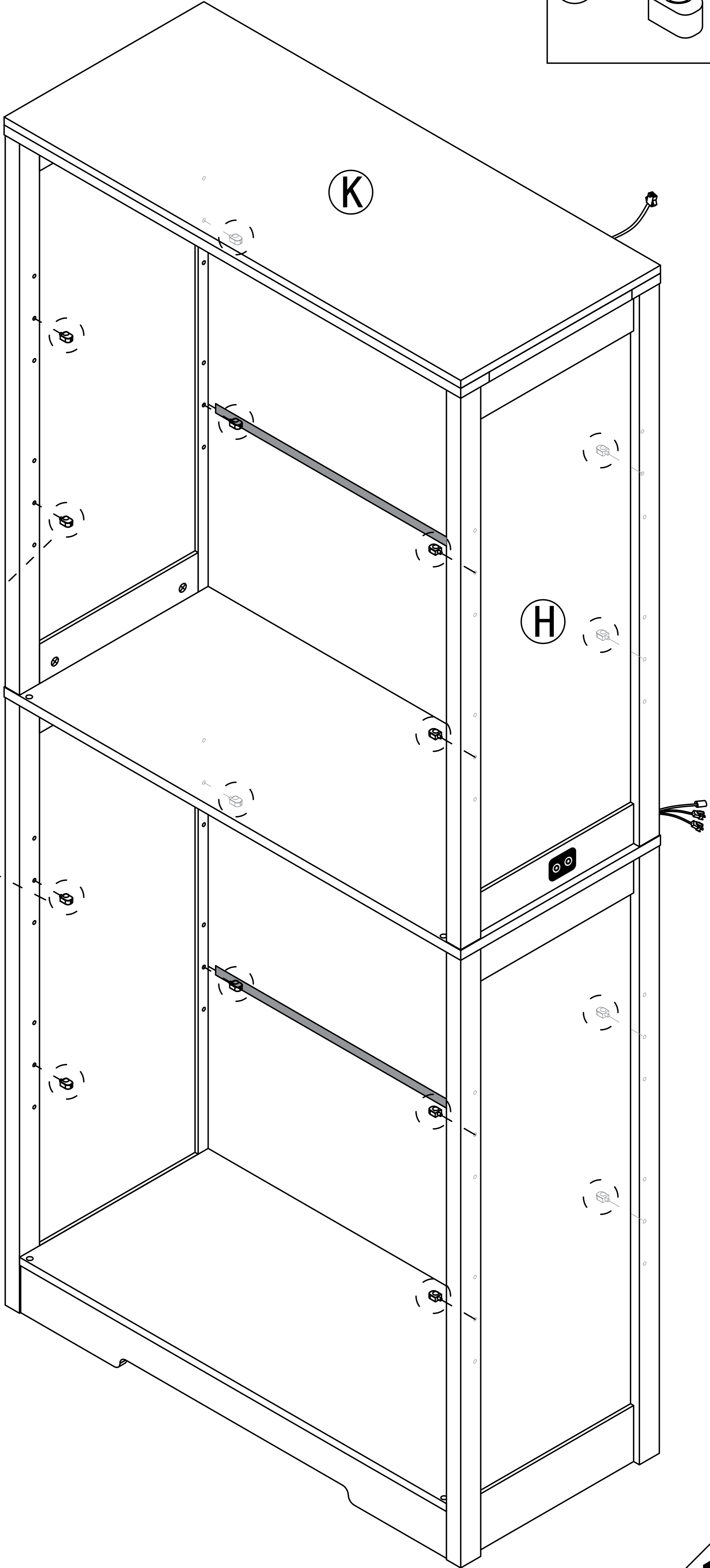
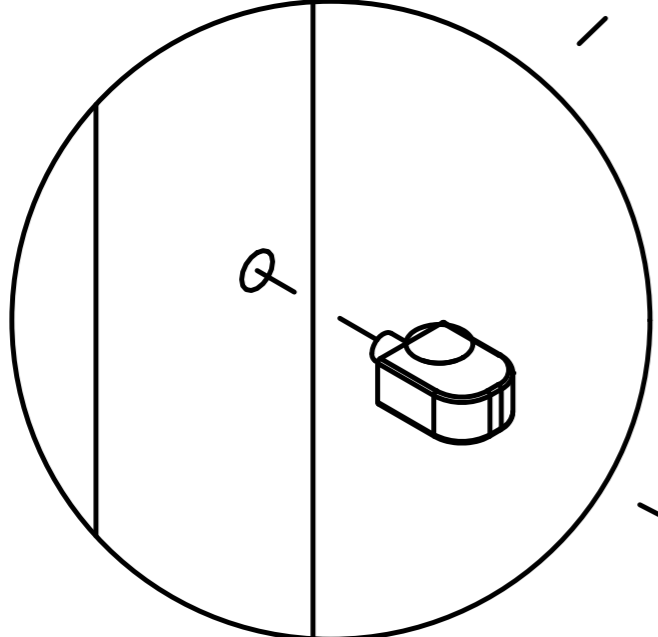


x4

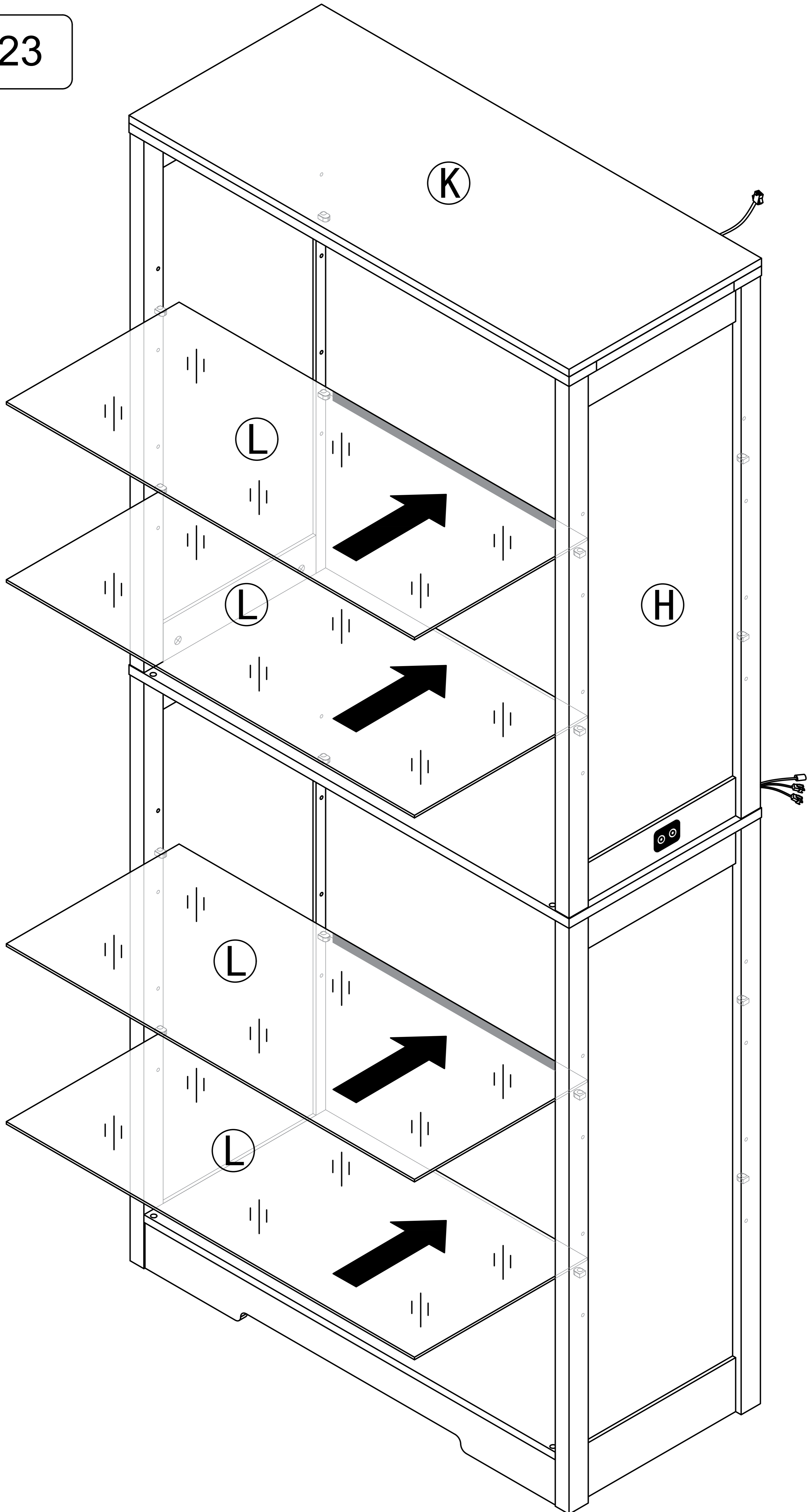


Step 22

8  x16

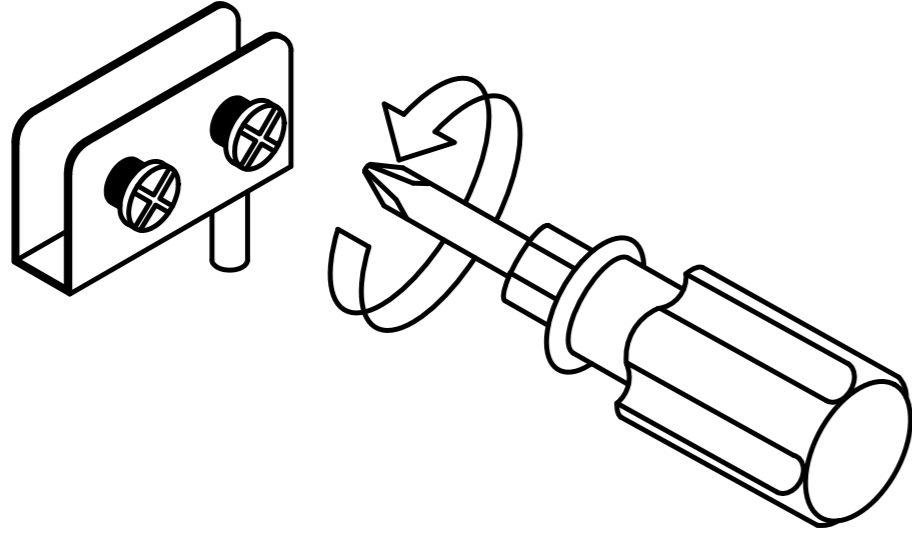


Step 23

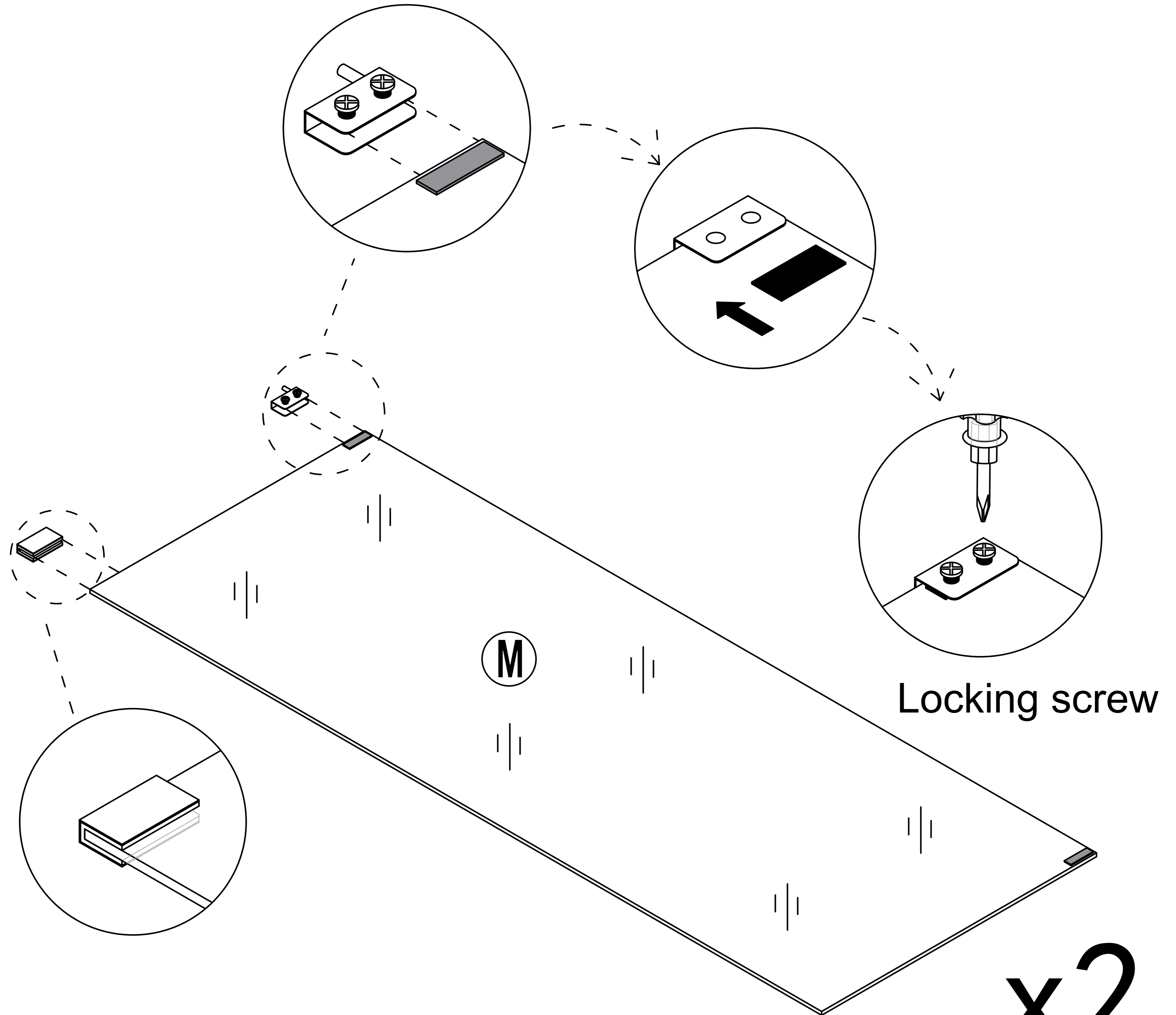
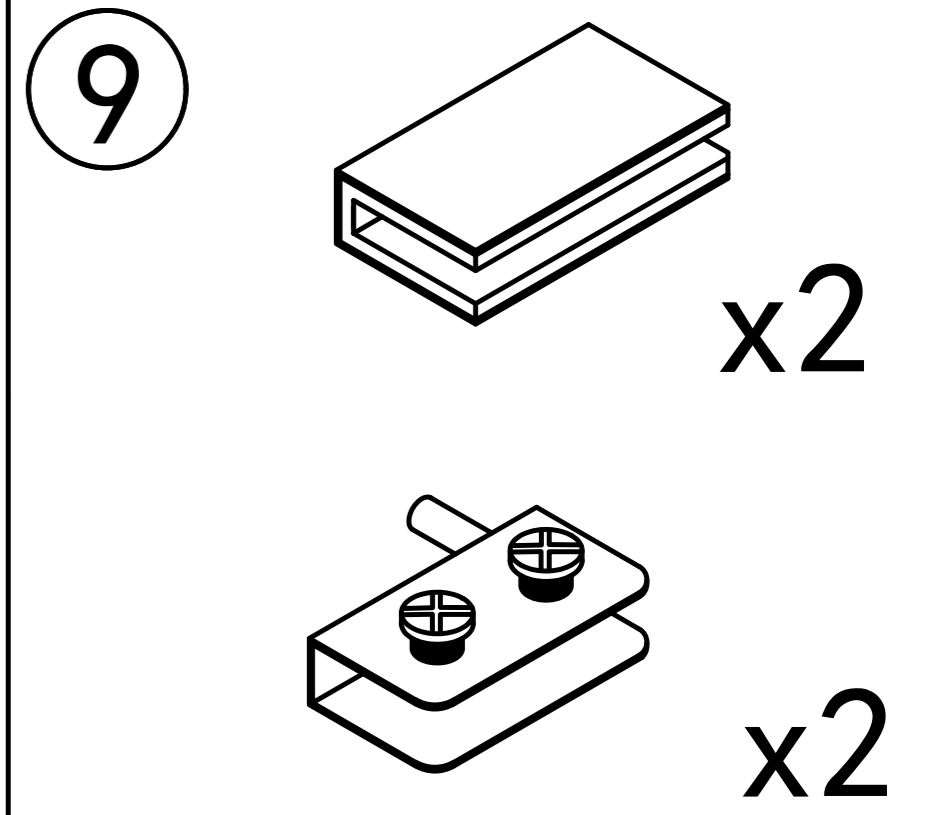
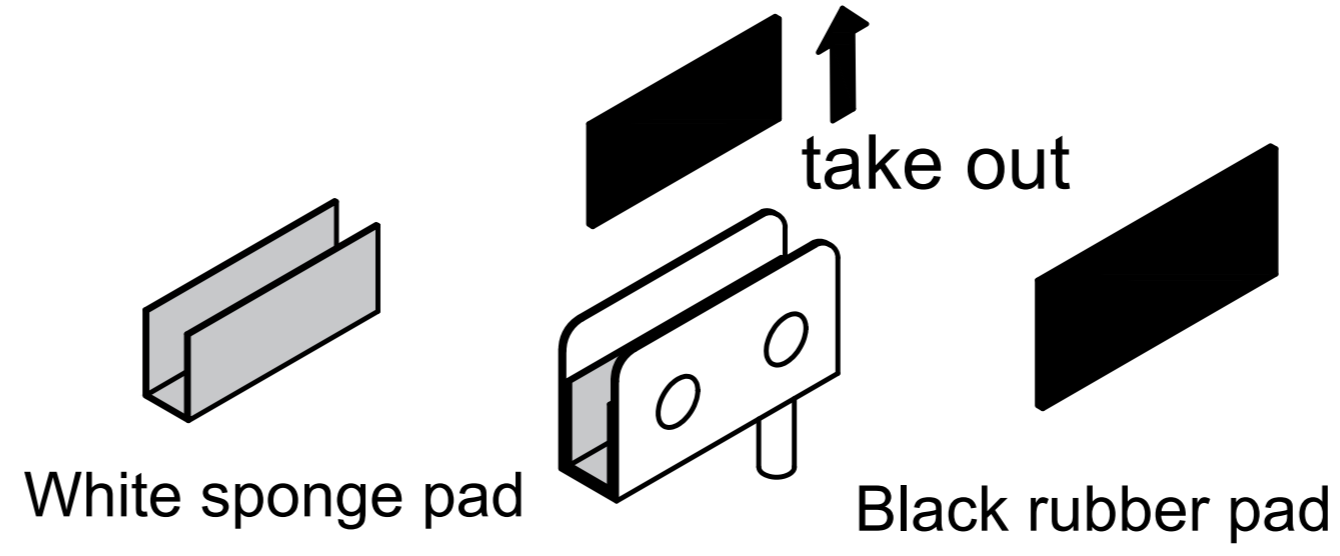


Step 24

First, completely unscrew the screws on the parts



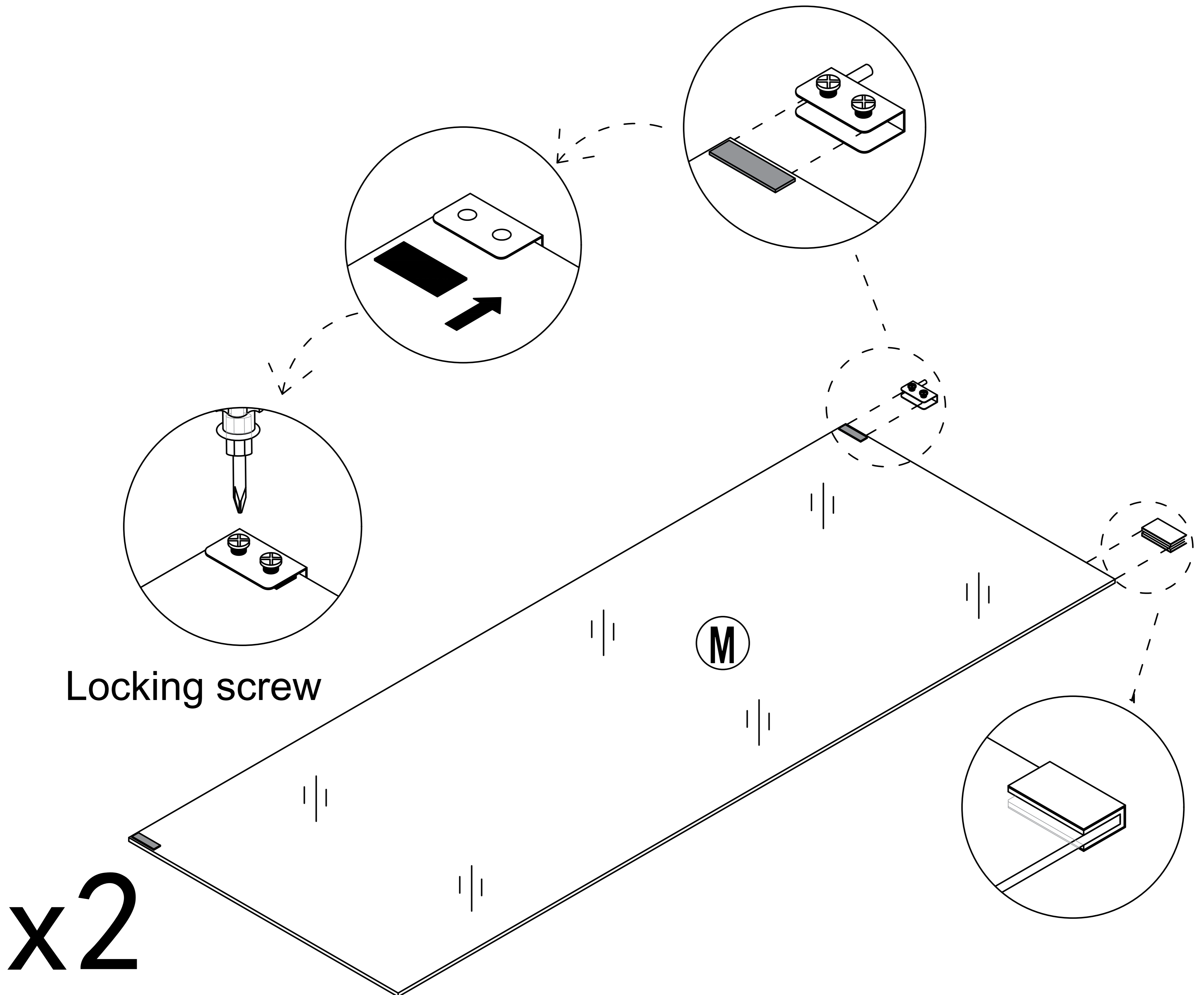
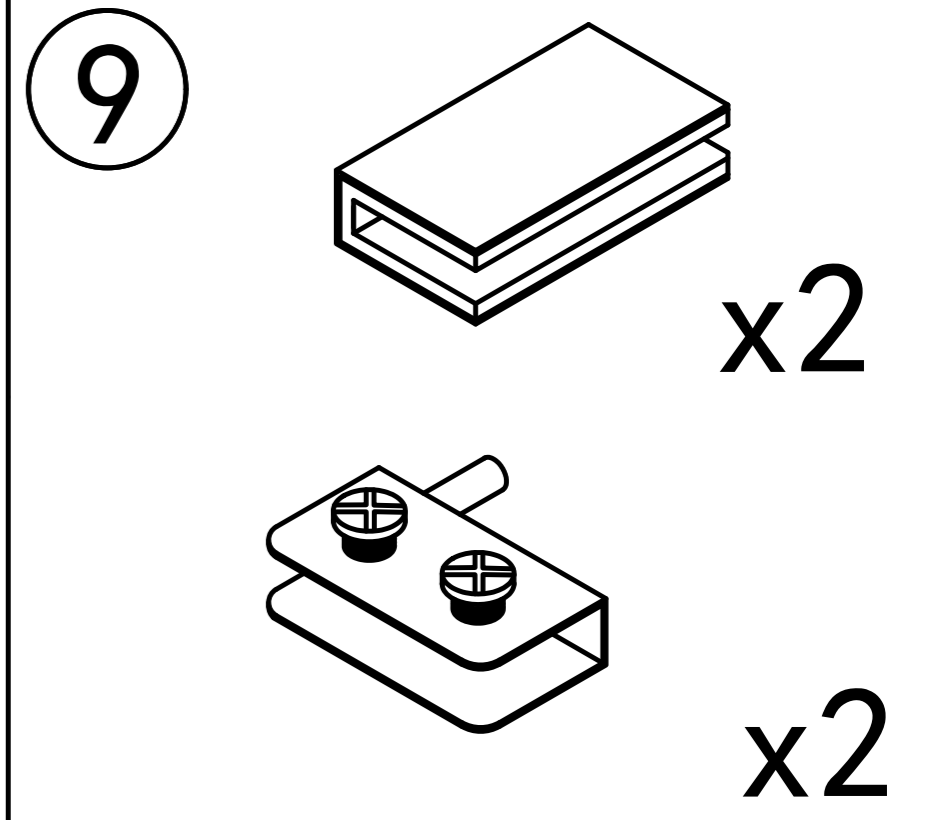
Then take out the black rubber pad from the inside of the part, and the white sponge remains unchanged inside the part.



Pay attention to the direction of the door hinge, rotate the screws to compress the black gasket, and do not place it in the opposite direction

Place the black gasket on the side where the screws are installed

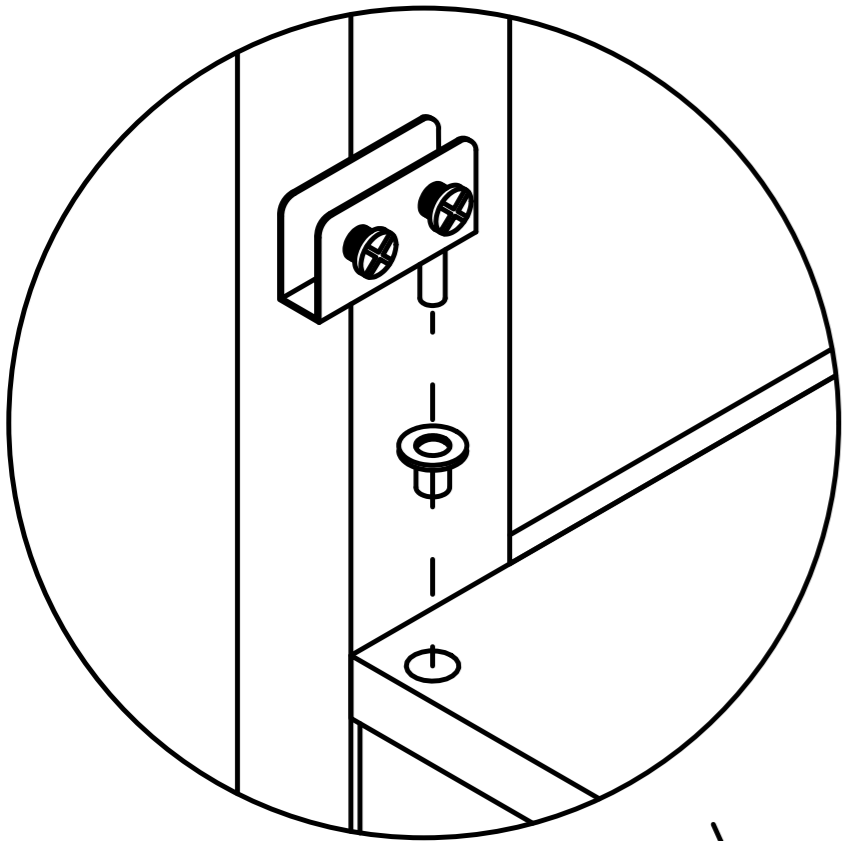
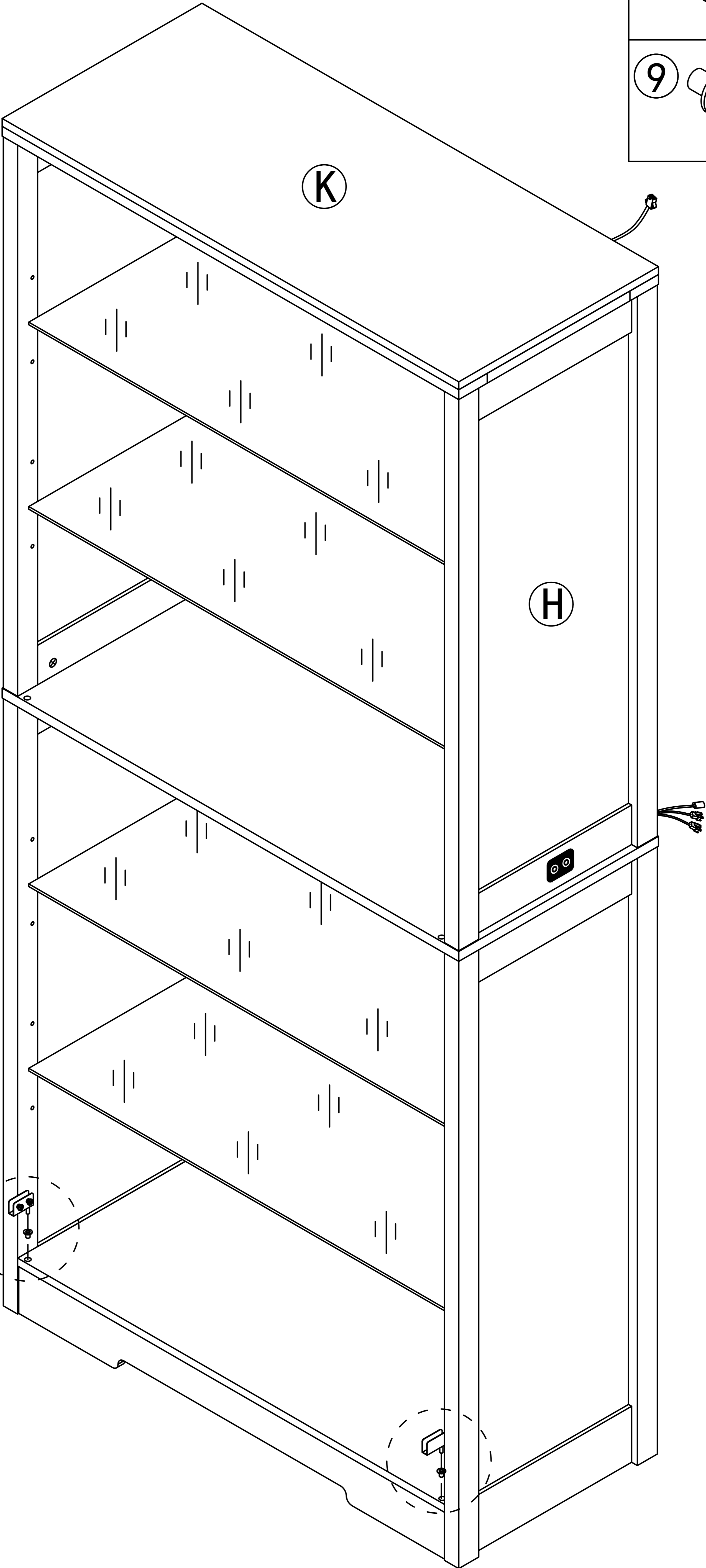
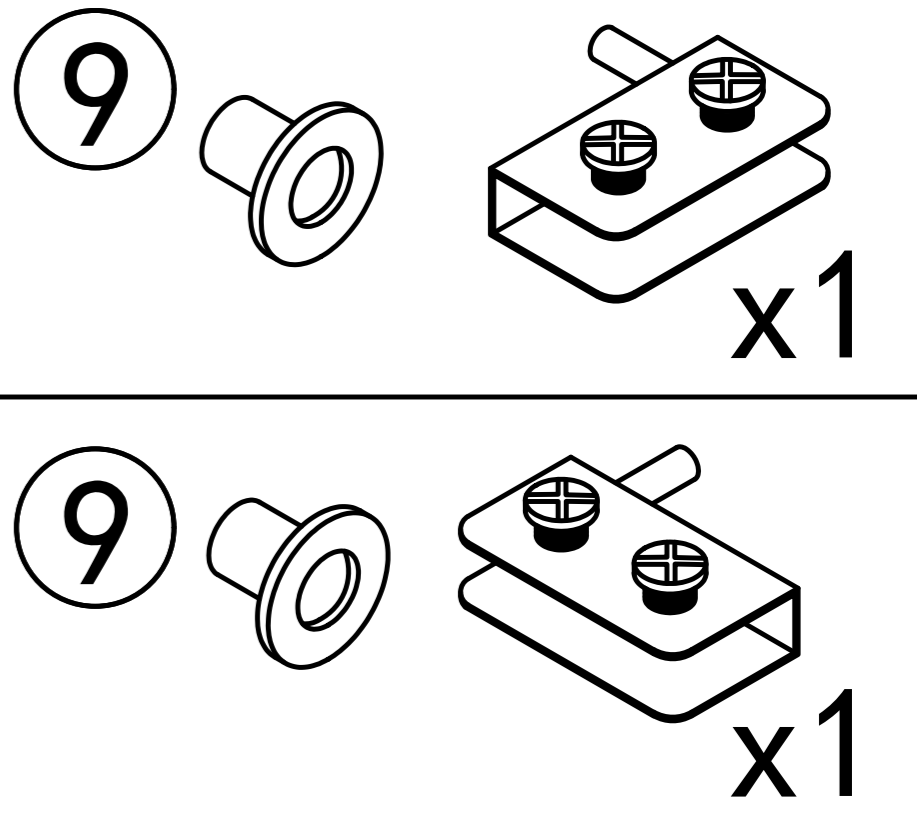
Step 25



Pay attention to the direction of the door hinge, rotate the screws to compress the black gasket, and do not place it in the opposite direction

Place the black gasket on the side where the screws are installed

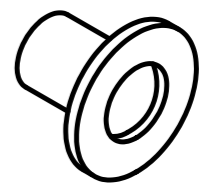
Step 26



Step 27

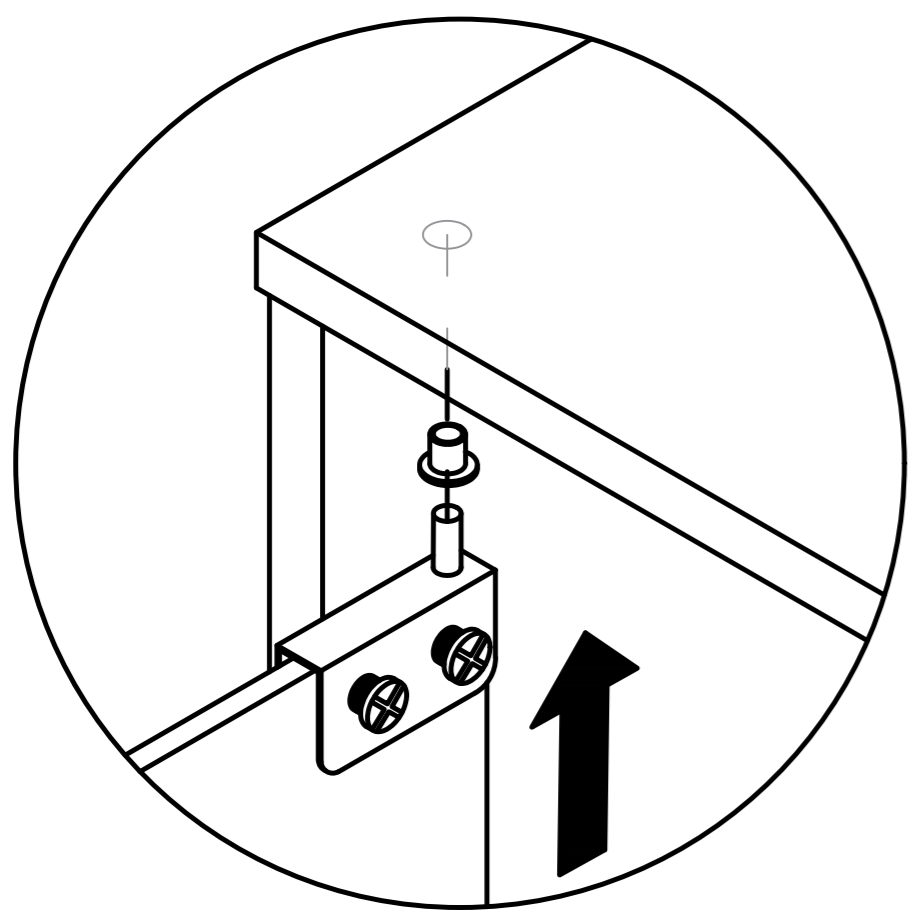
Pay attention to the direction of the door hinge during installation

9

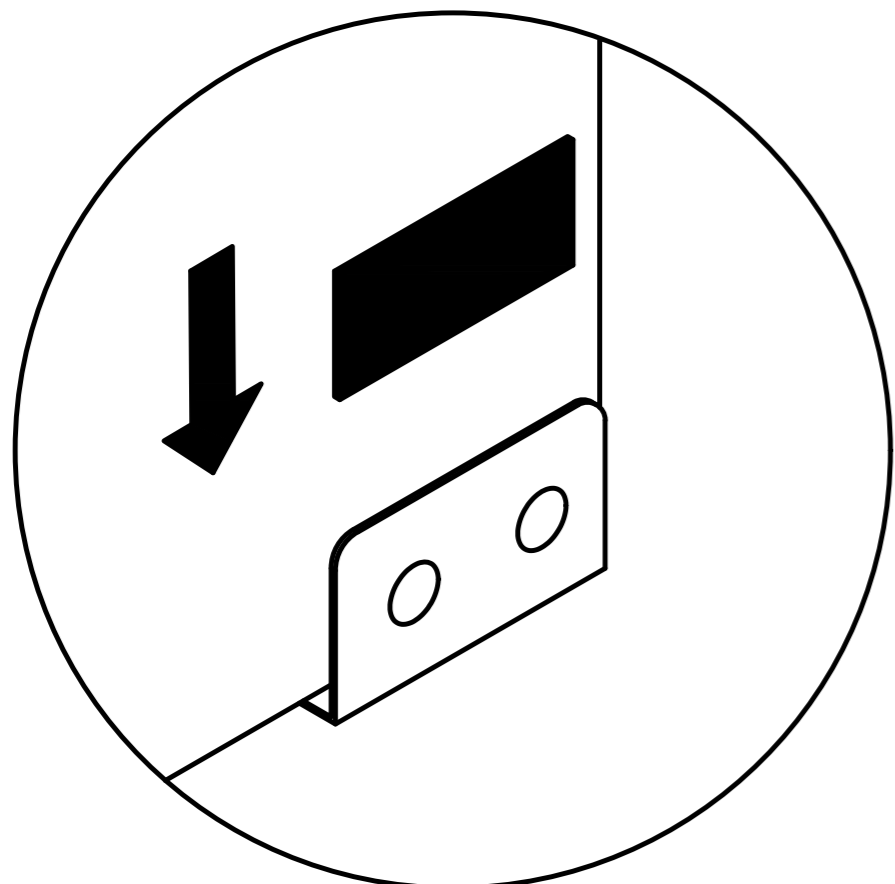


x2

When installing a glass door, it is recommended to have two people install it to avoid the glass door colliding or hitting oneself.

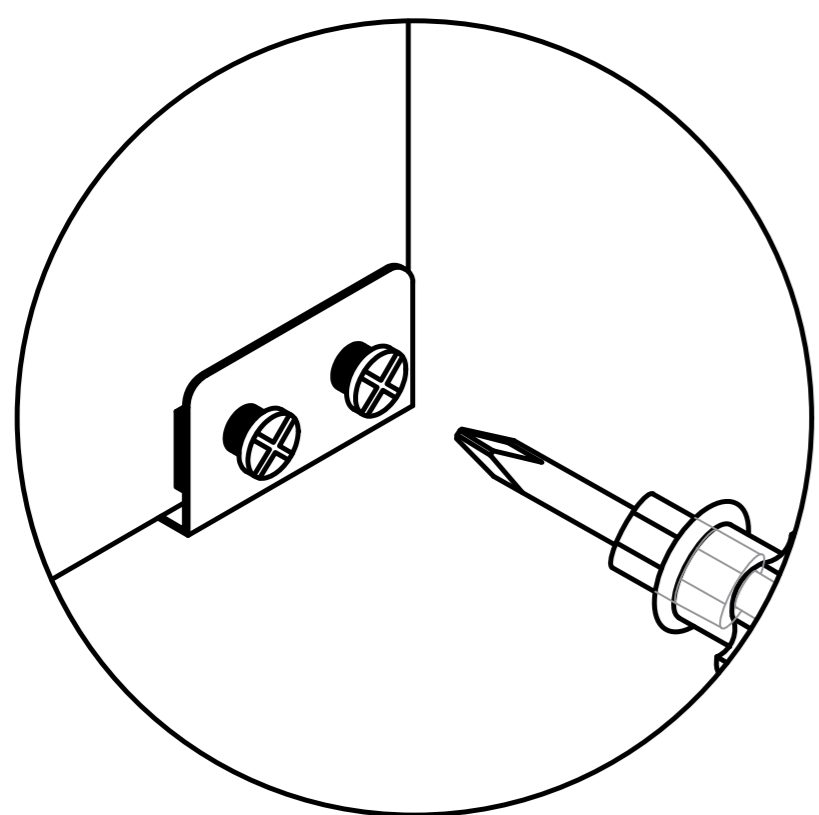


first



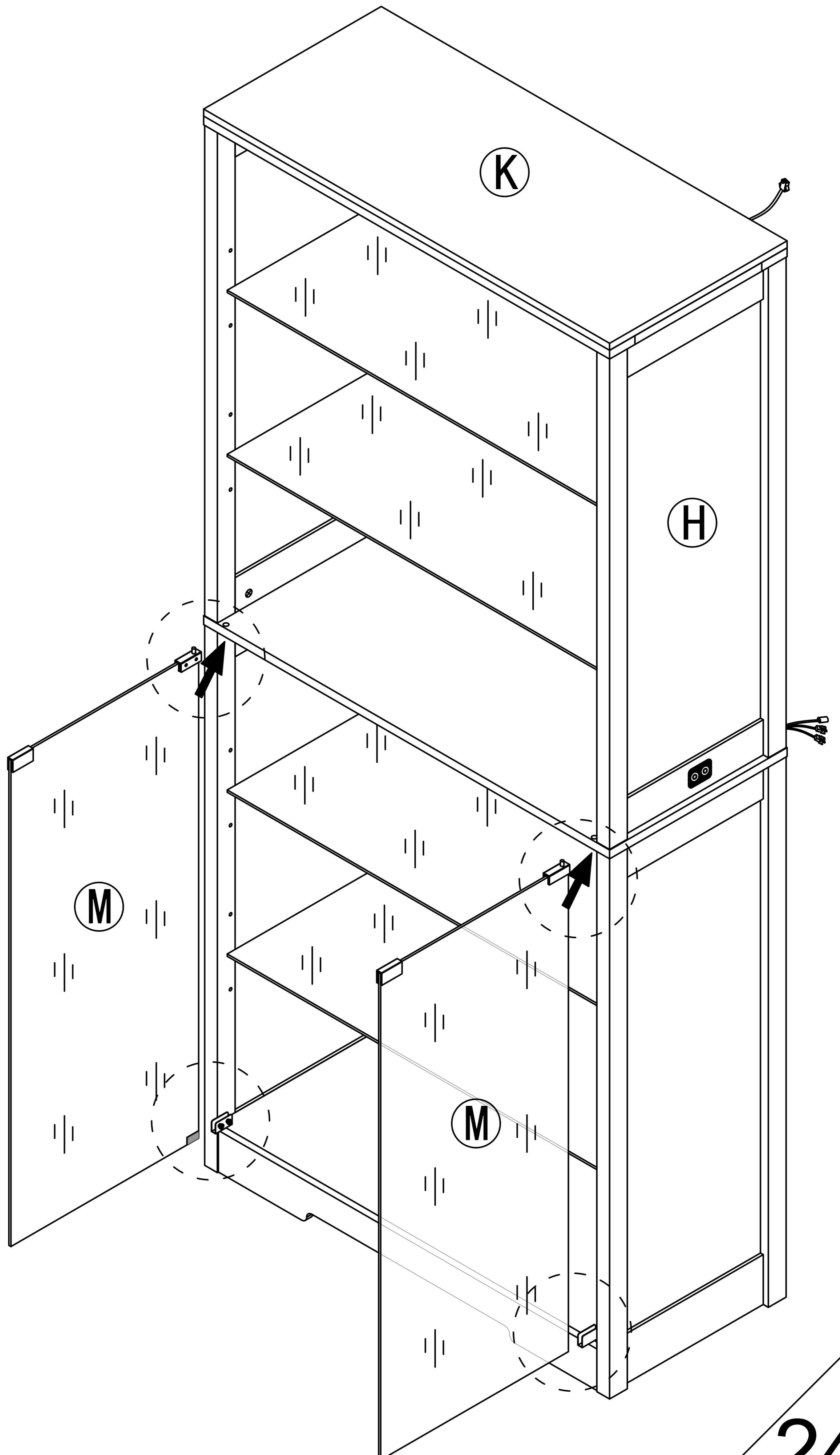
second

After installing the glass door, place the black gasket on the side where the screws are installed

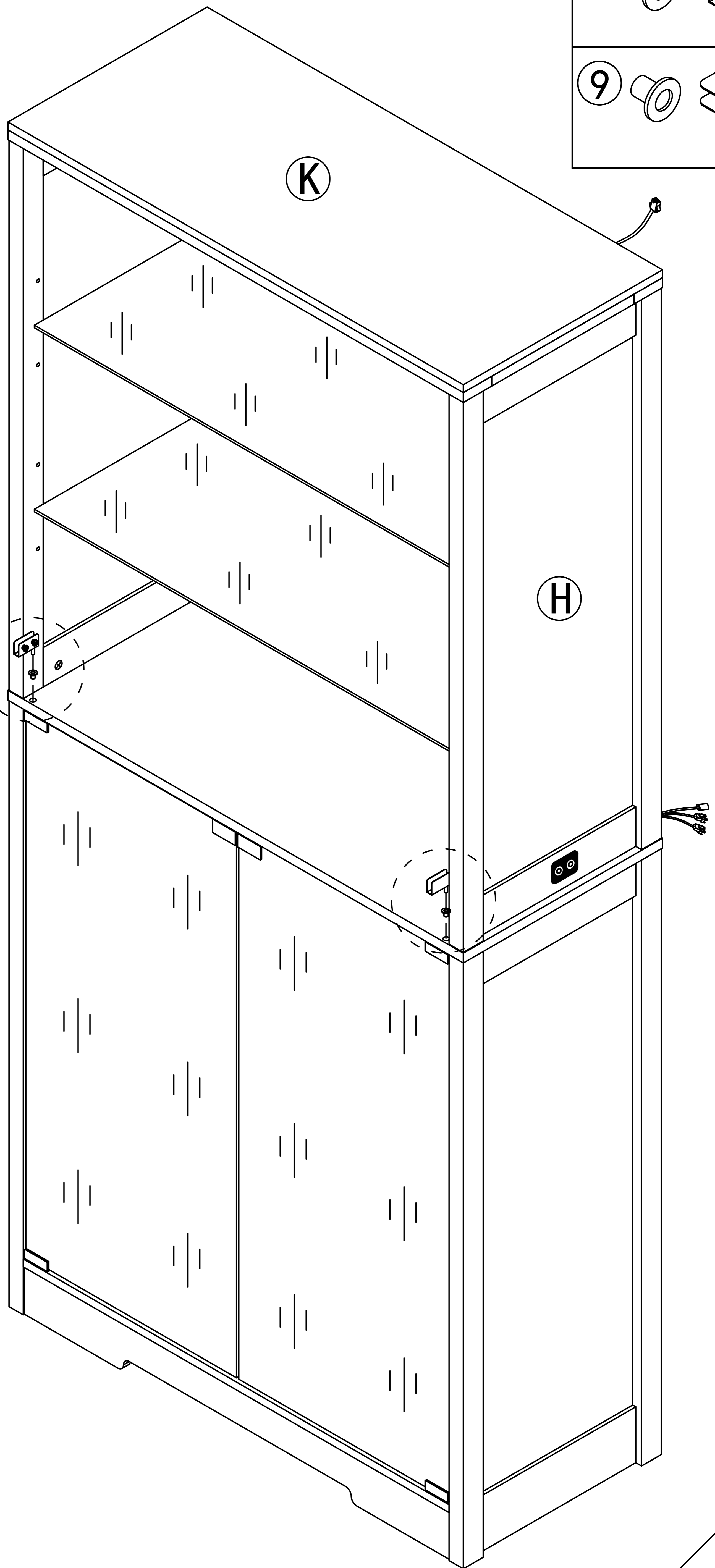
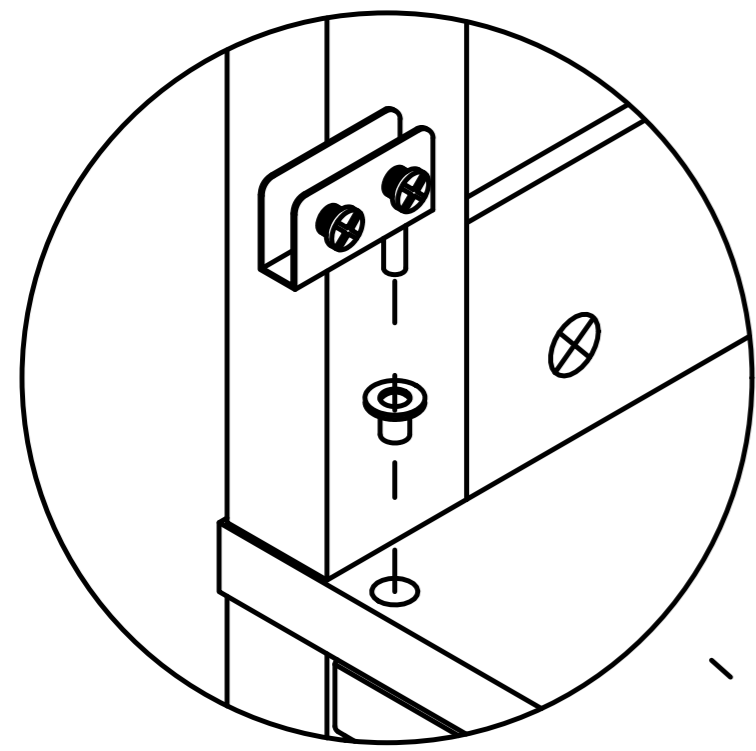
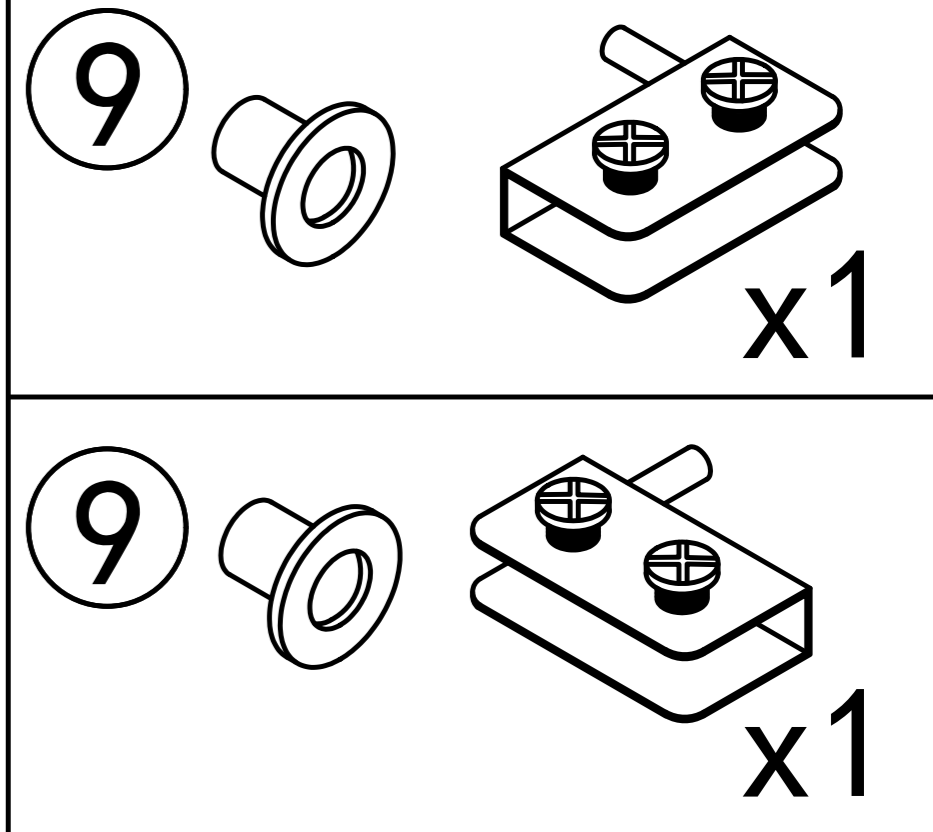


third

Locking screw



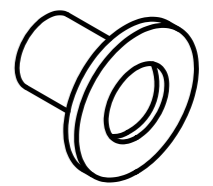
Step 28



Step 29

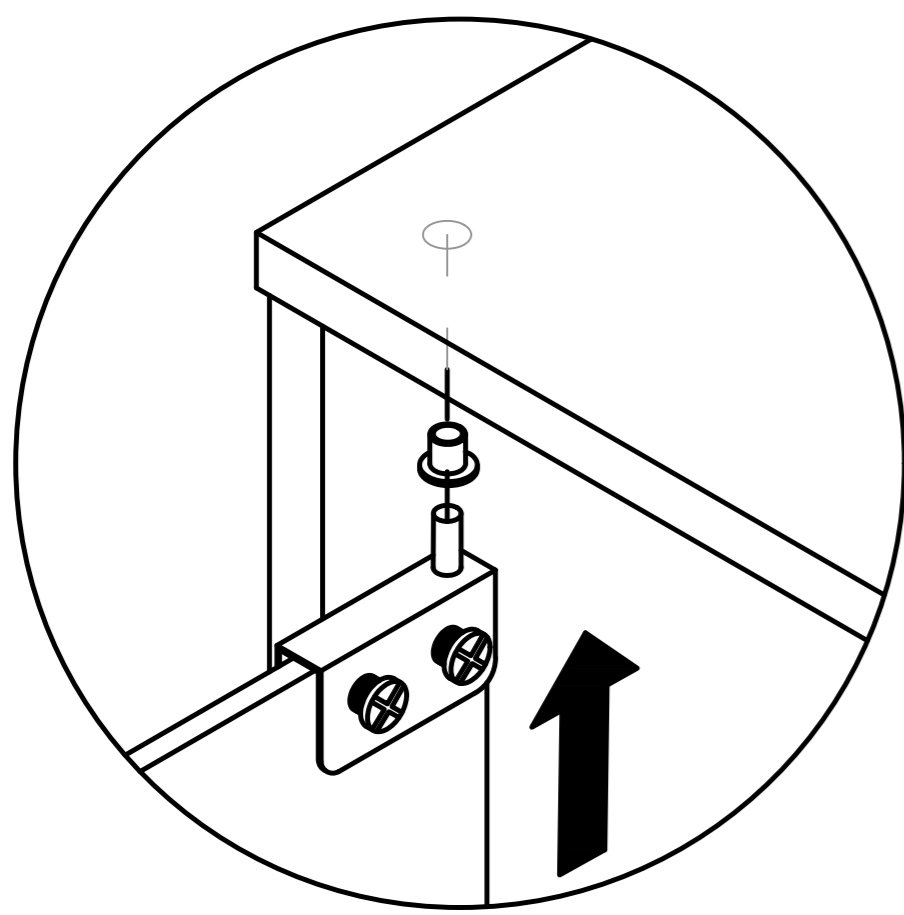
Pay attention to the direction of the door hinge during installation

9

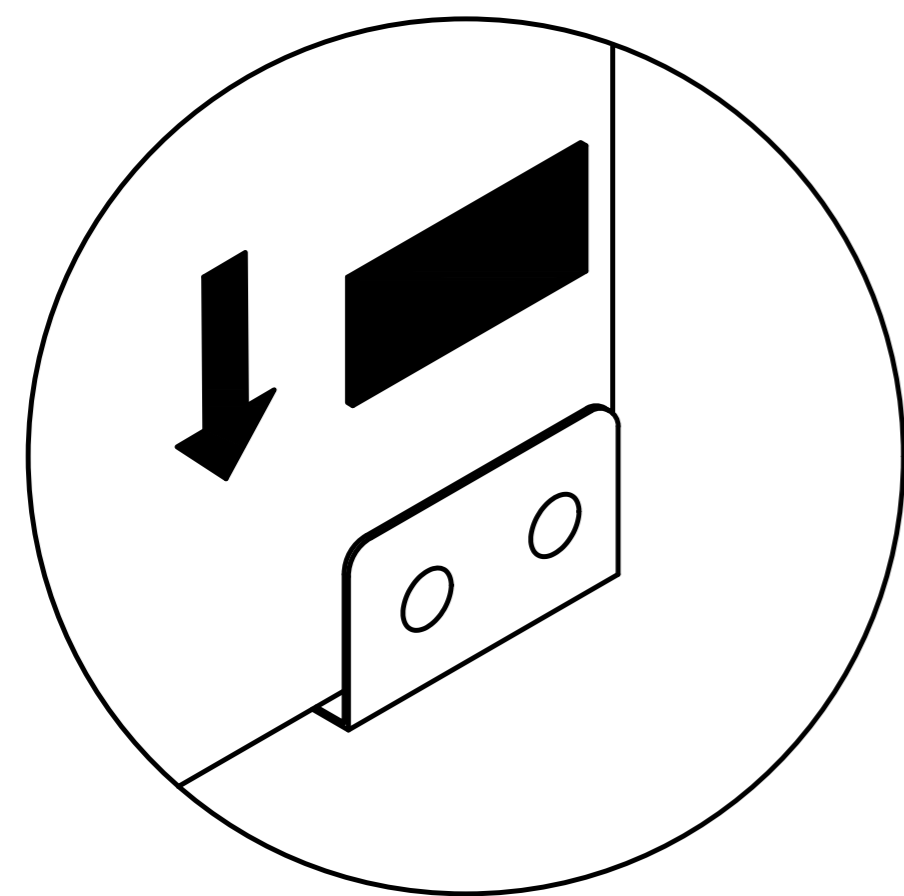


x2

When installing a glass door, it is recommended to have two people install it to avoid the glass door colliding or hitting oneself.

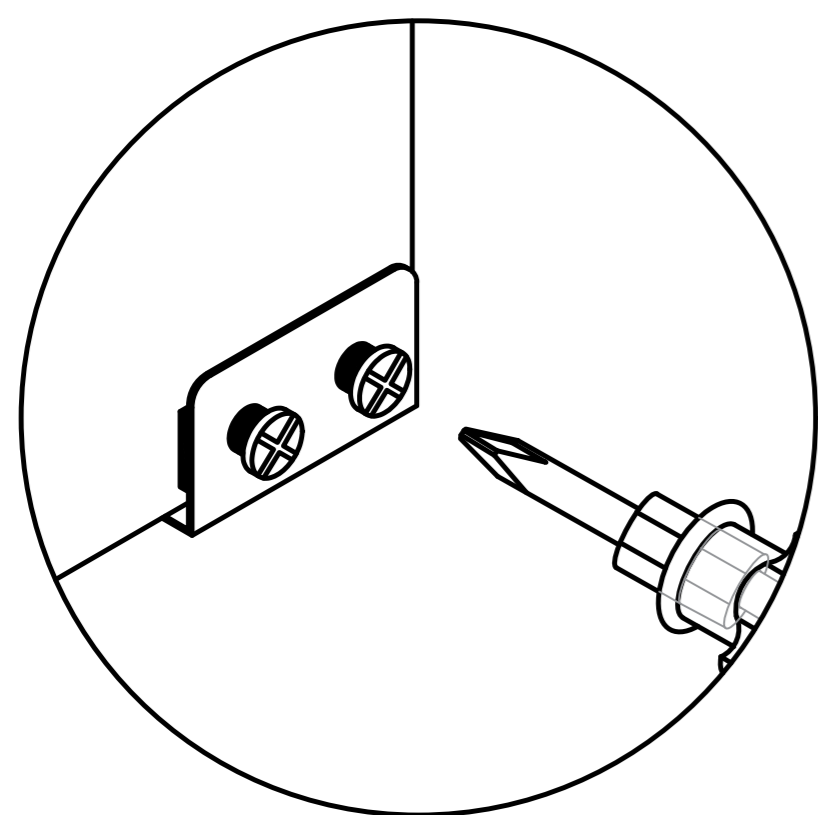


first



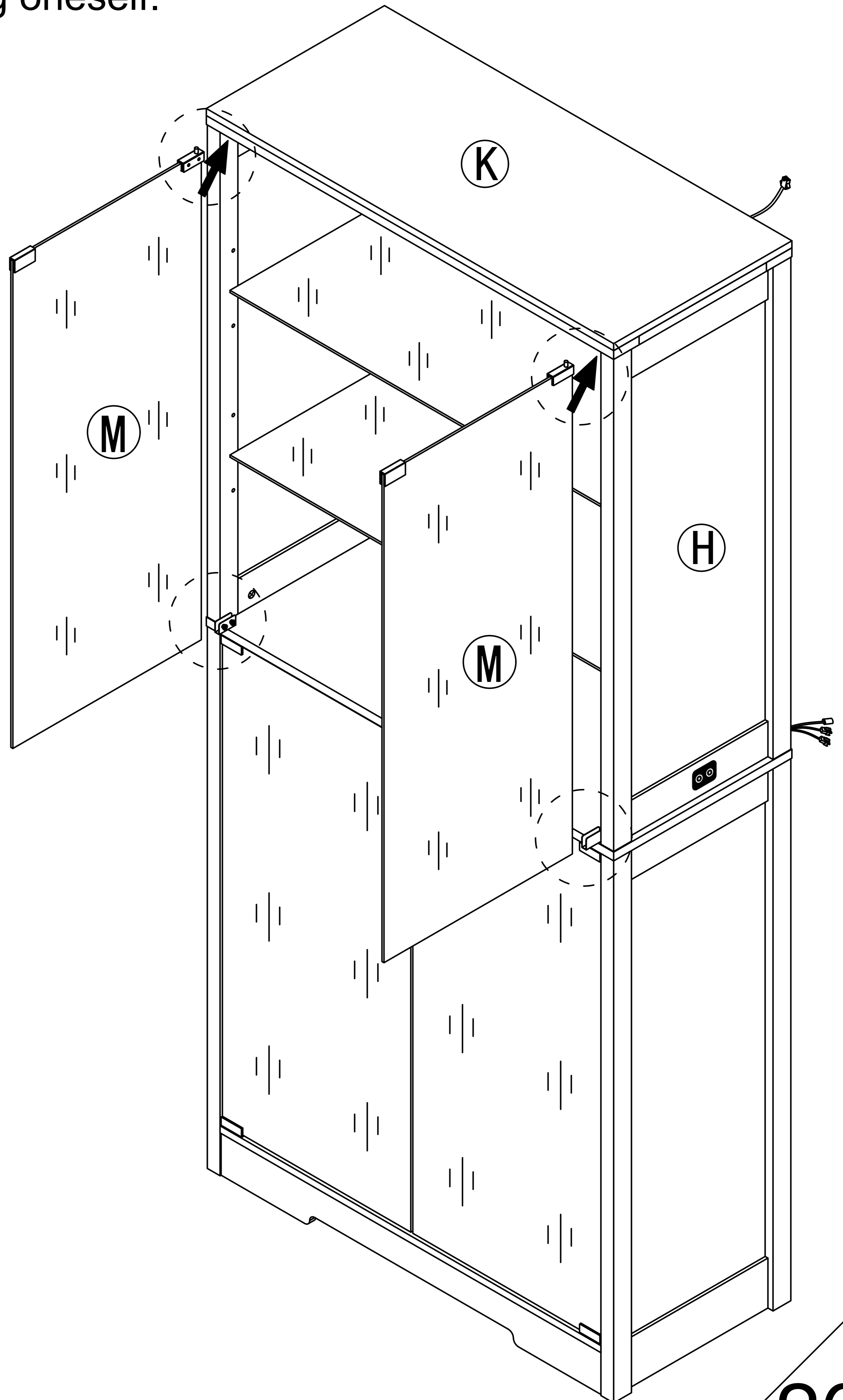
second

After installing the glass door, place the black gasket on the side where the screws are installed



third

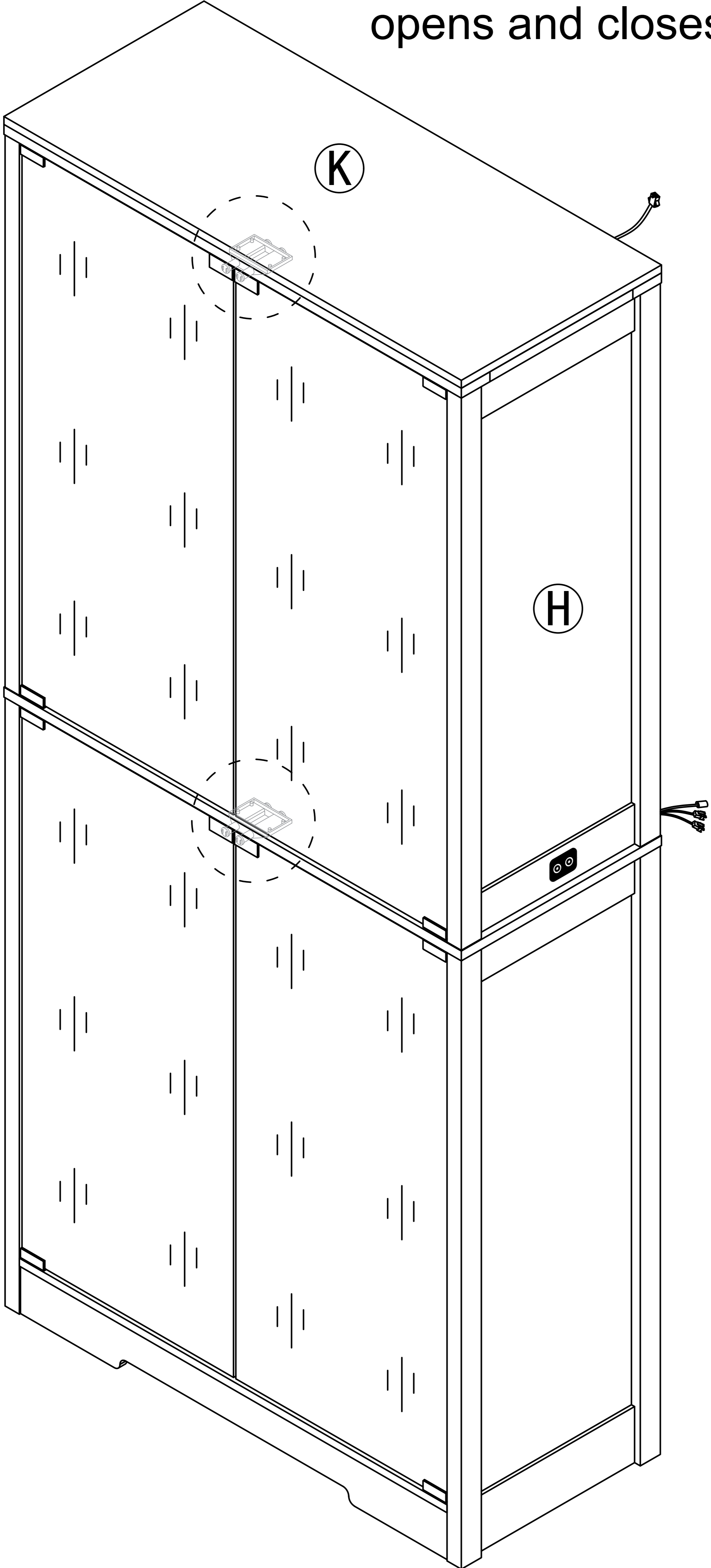
Locking screw



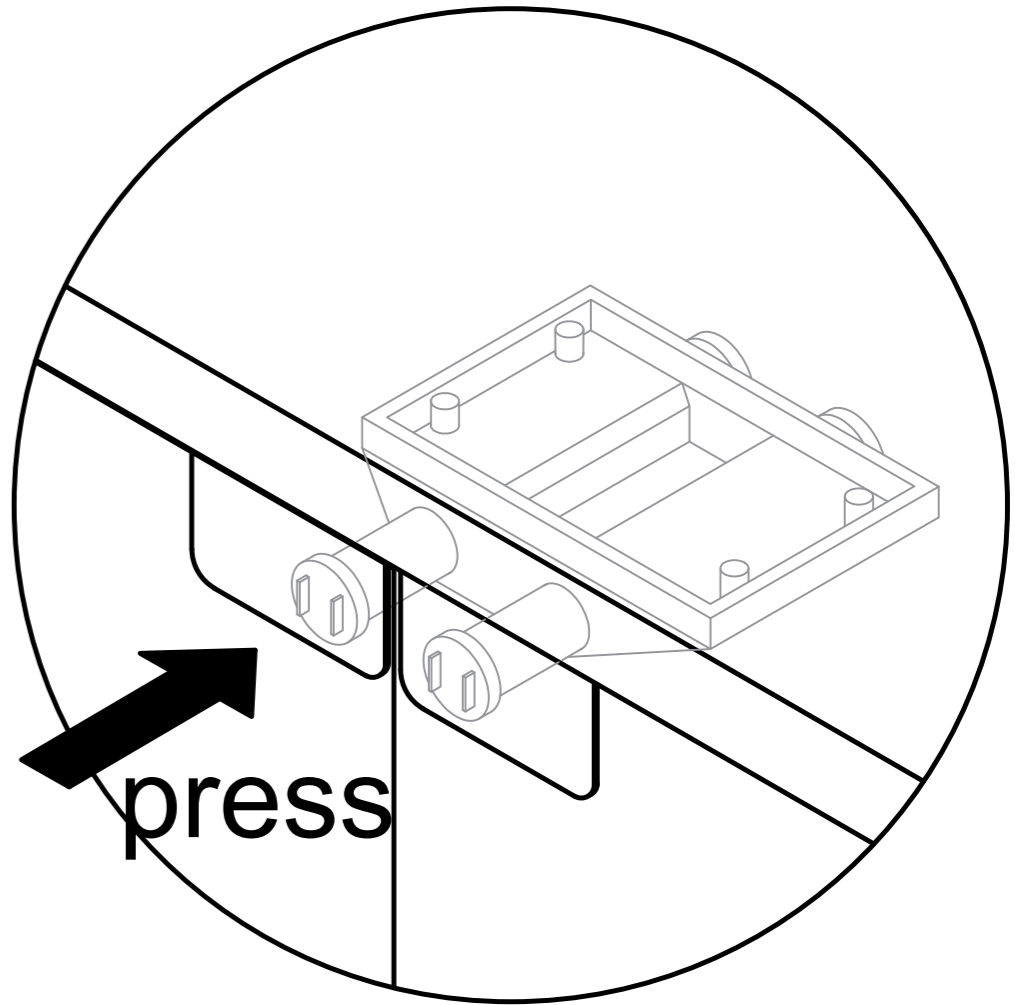
26

Step 30

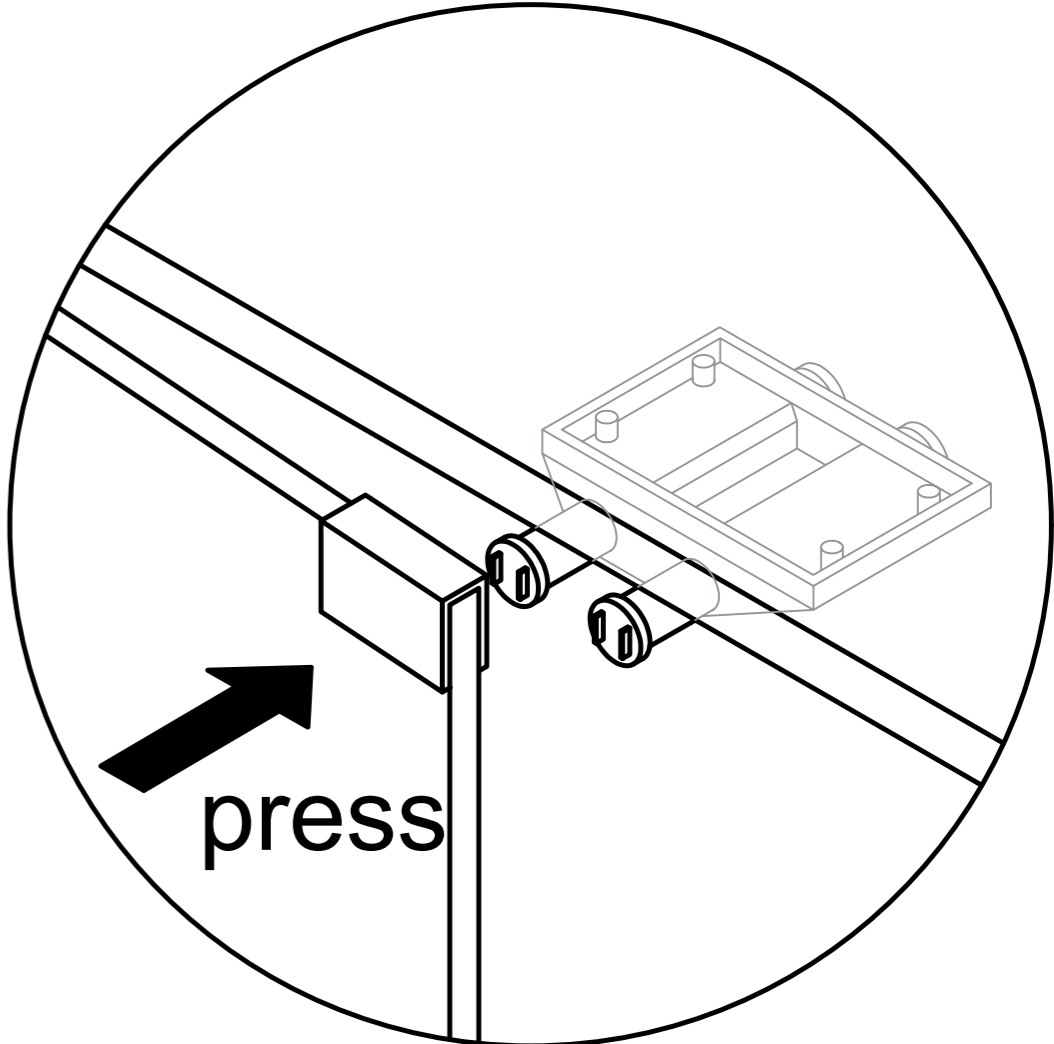
The rebound device automatically opens and closes by pressing



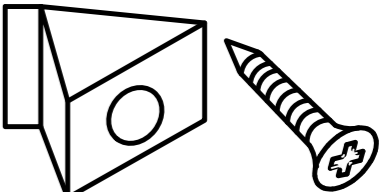
Open the glass door

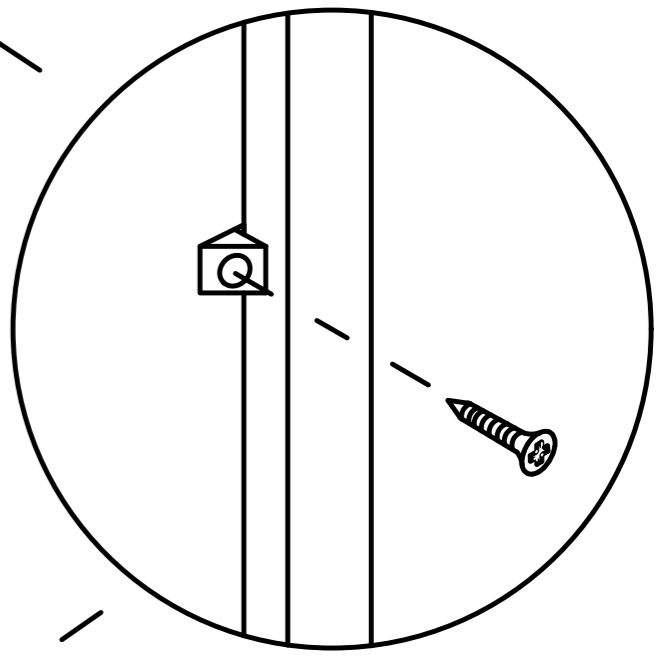
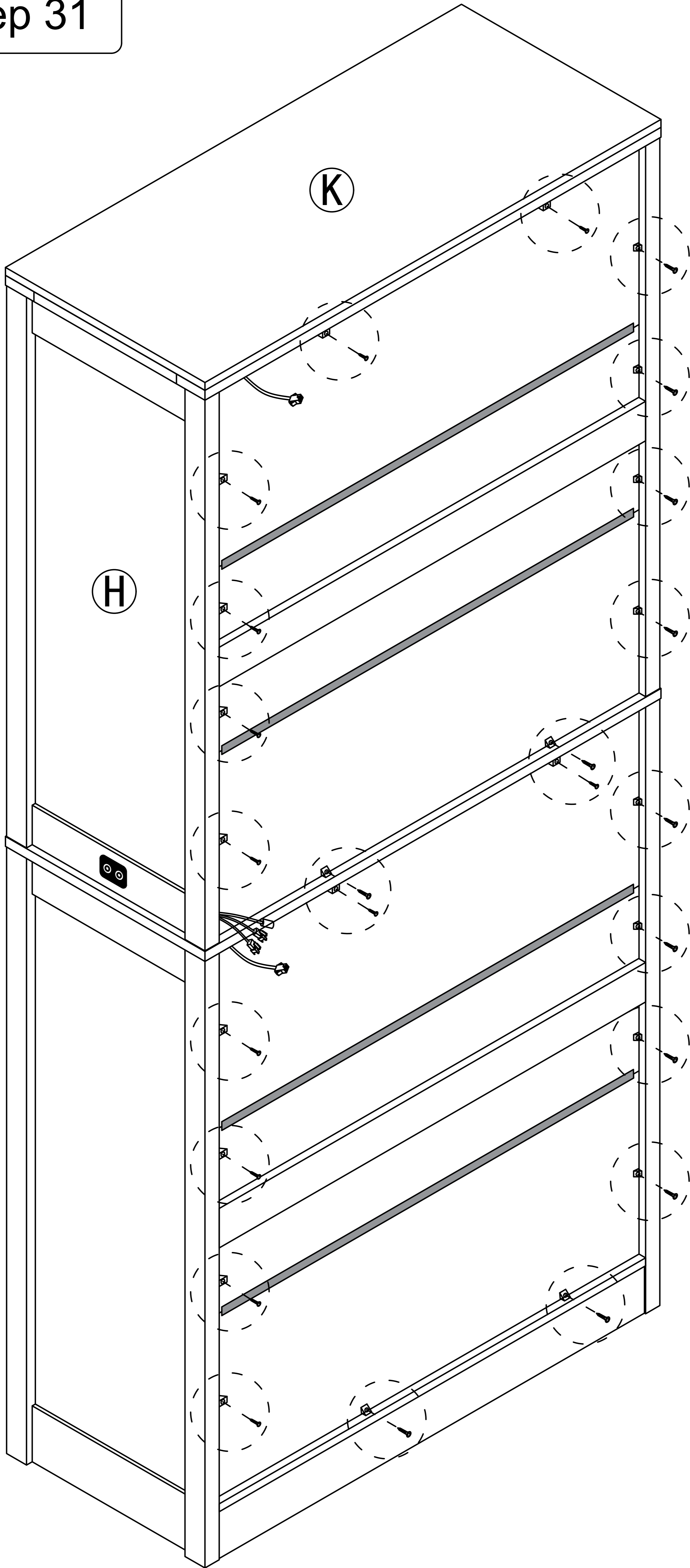


Close the glass door

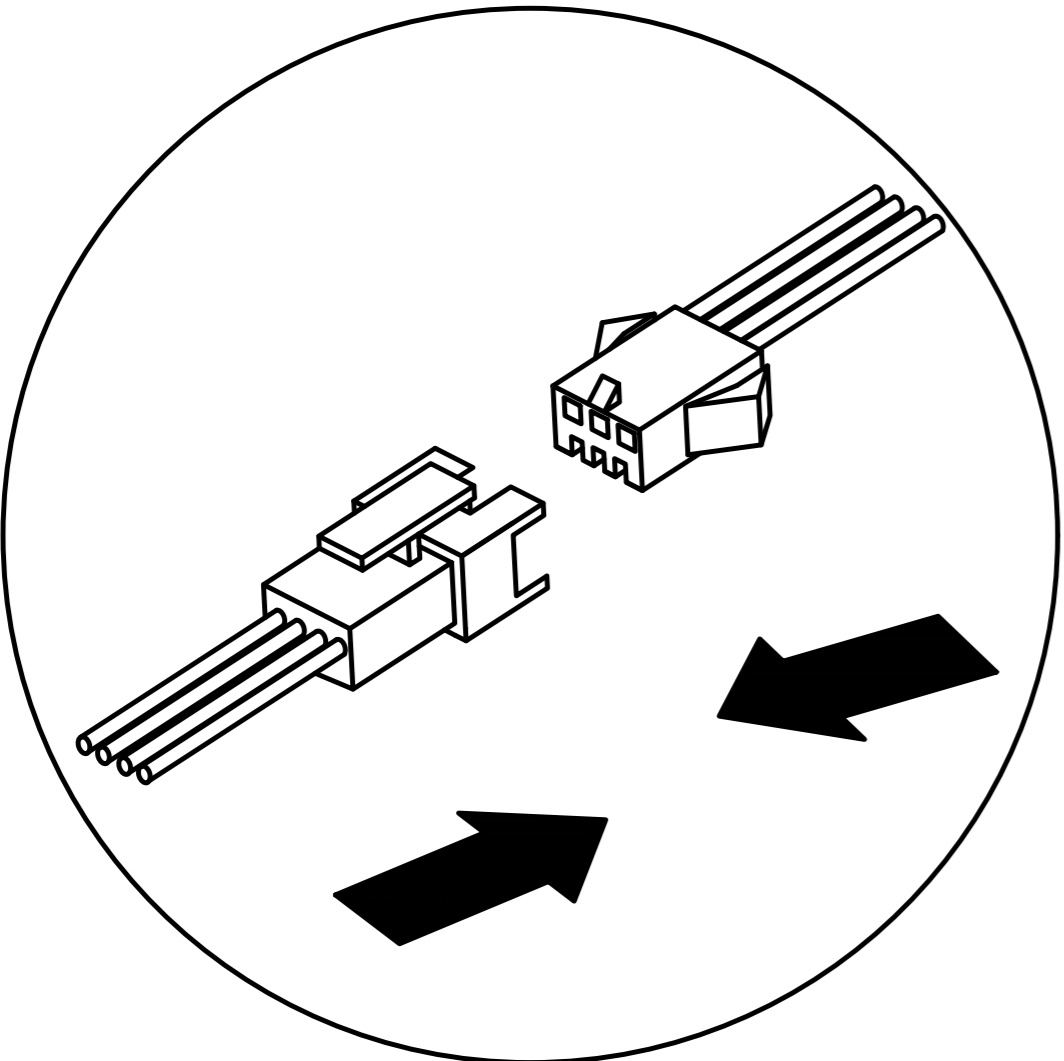
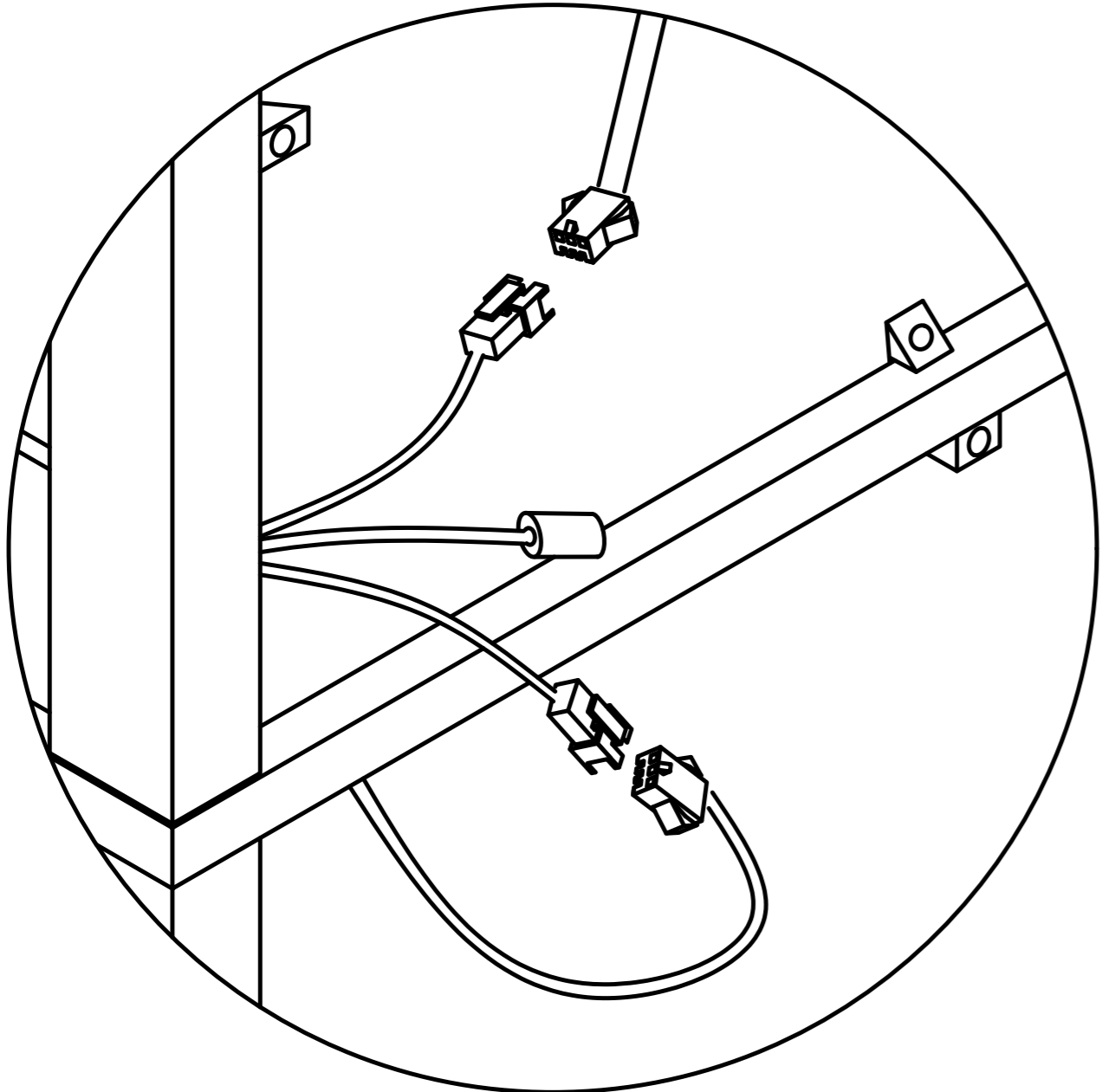
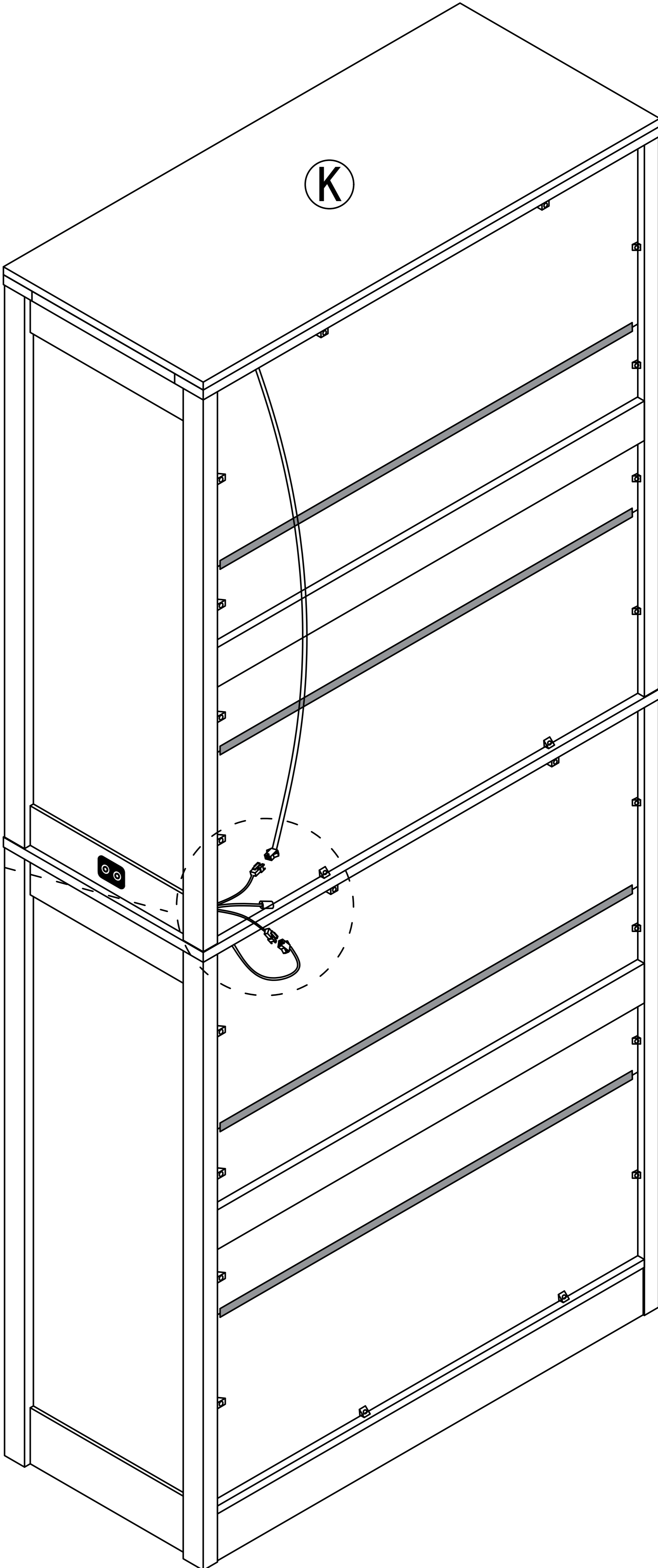


Step 31

6  x24

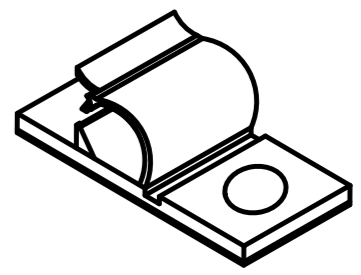


Step 32



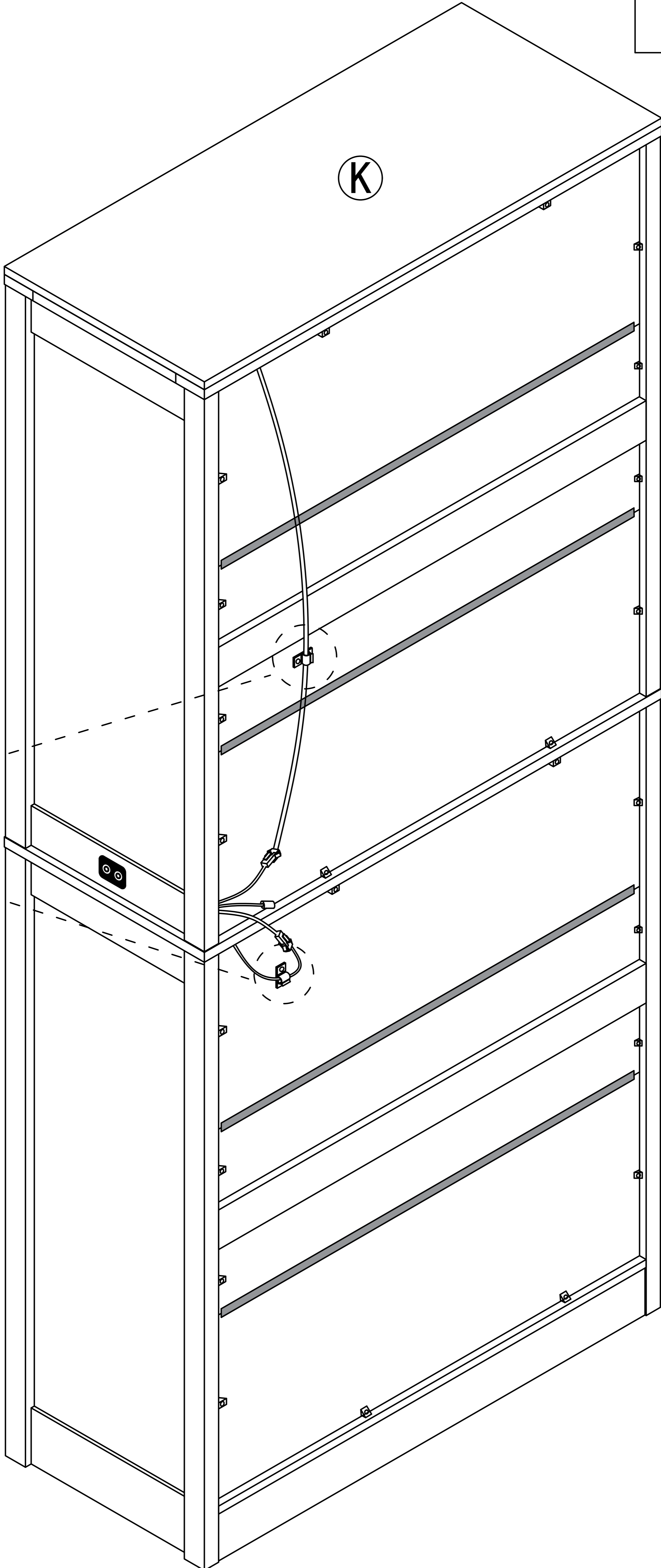
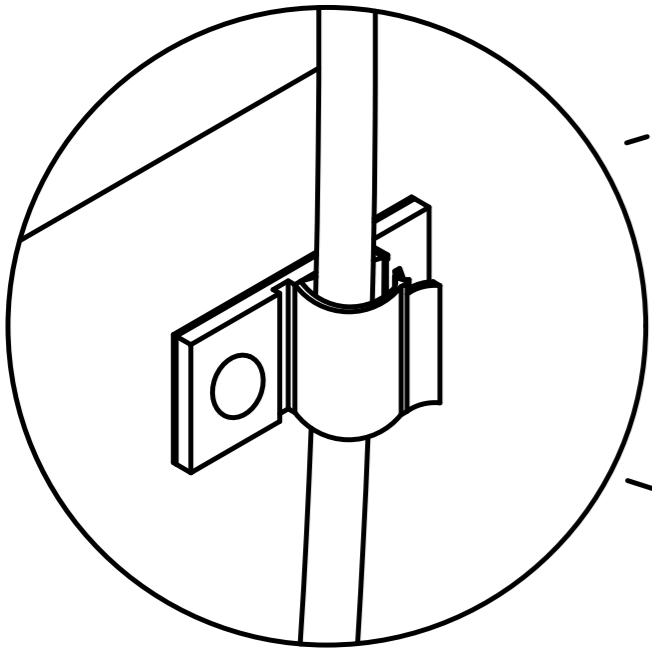
Step 33

7

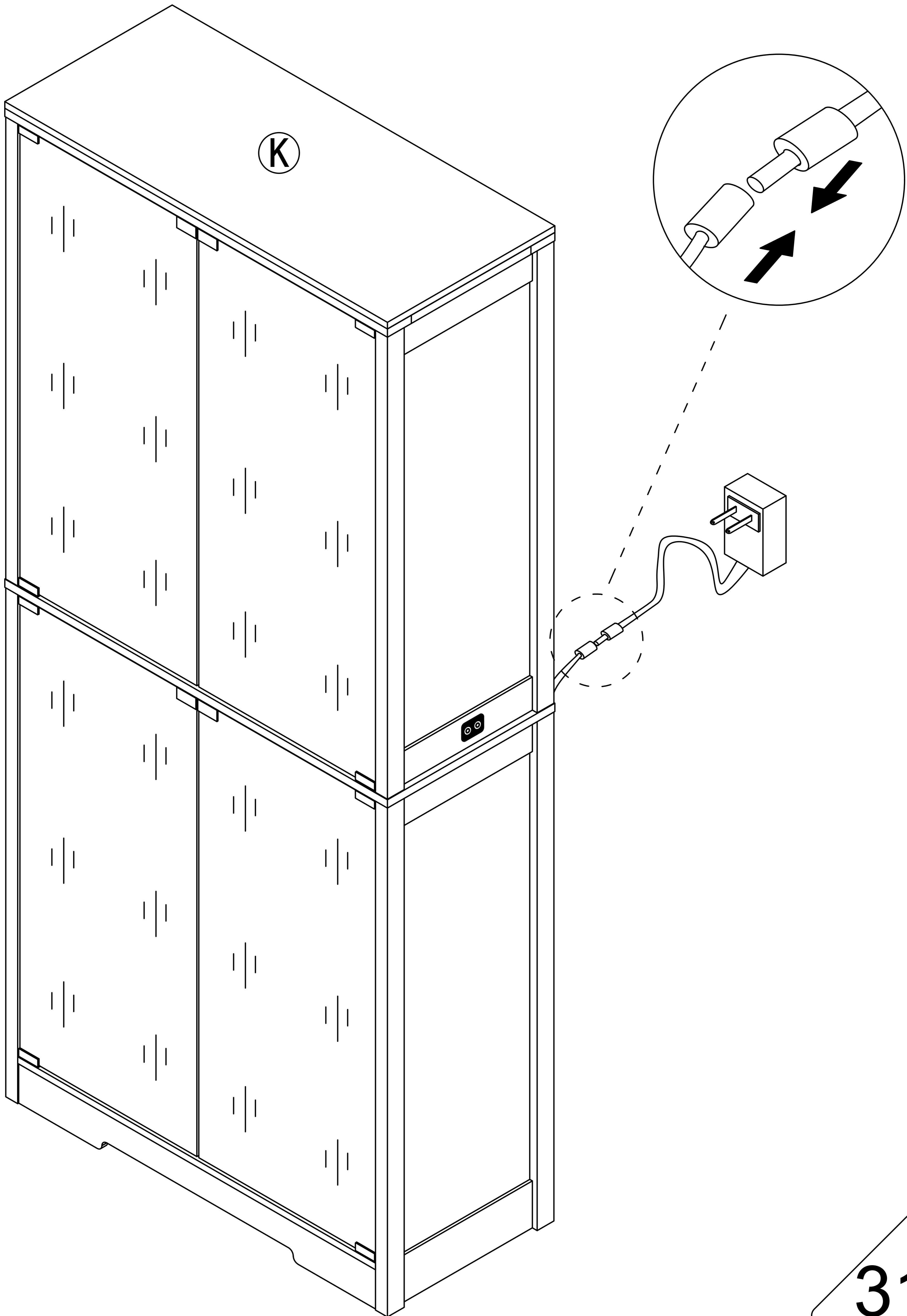


x2

K

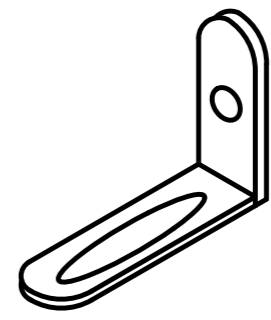
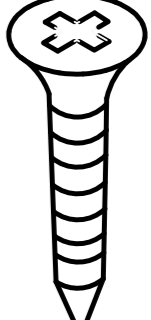
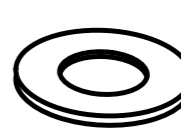


Step 34

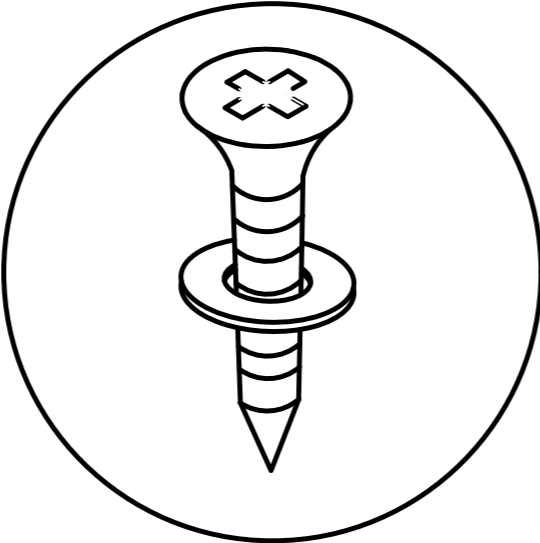


Step 35

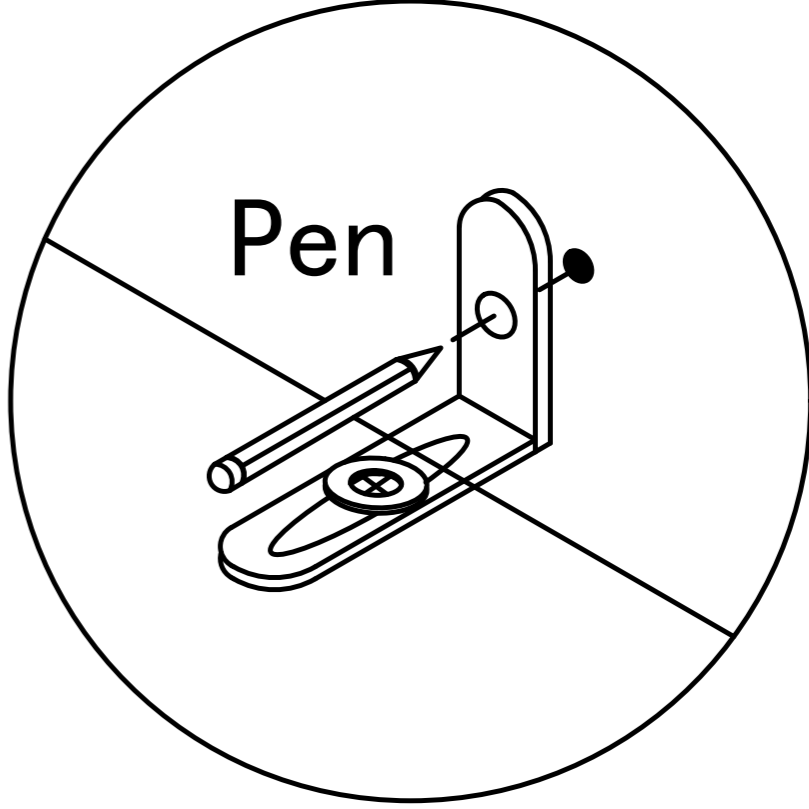
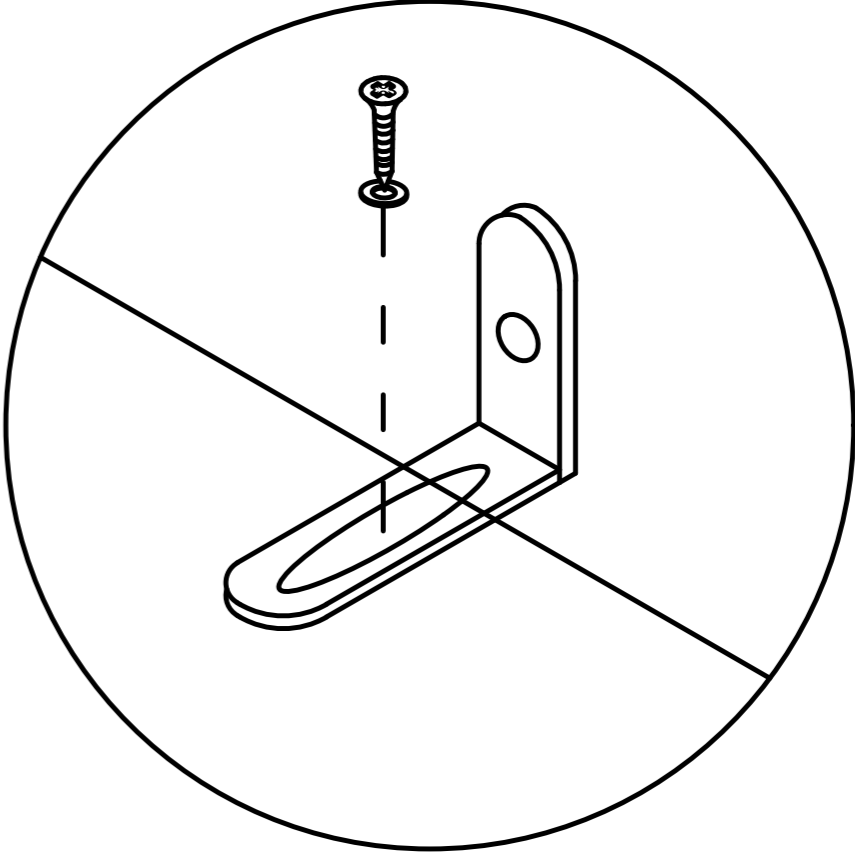
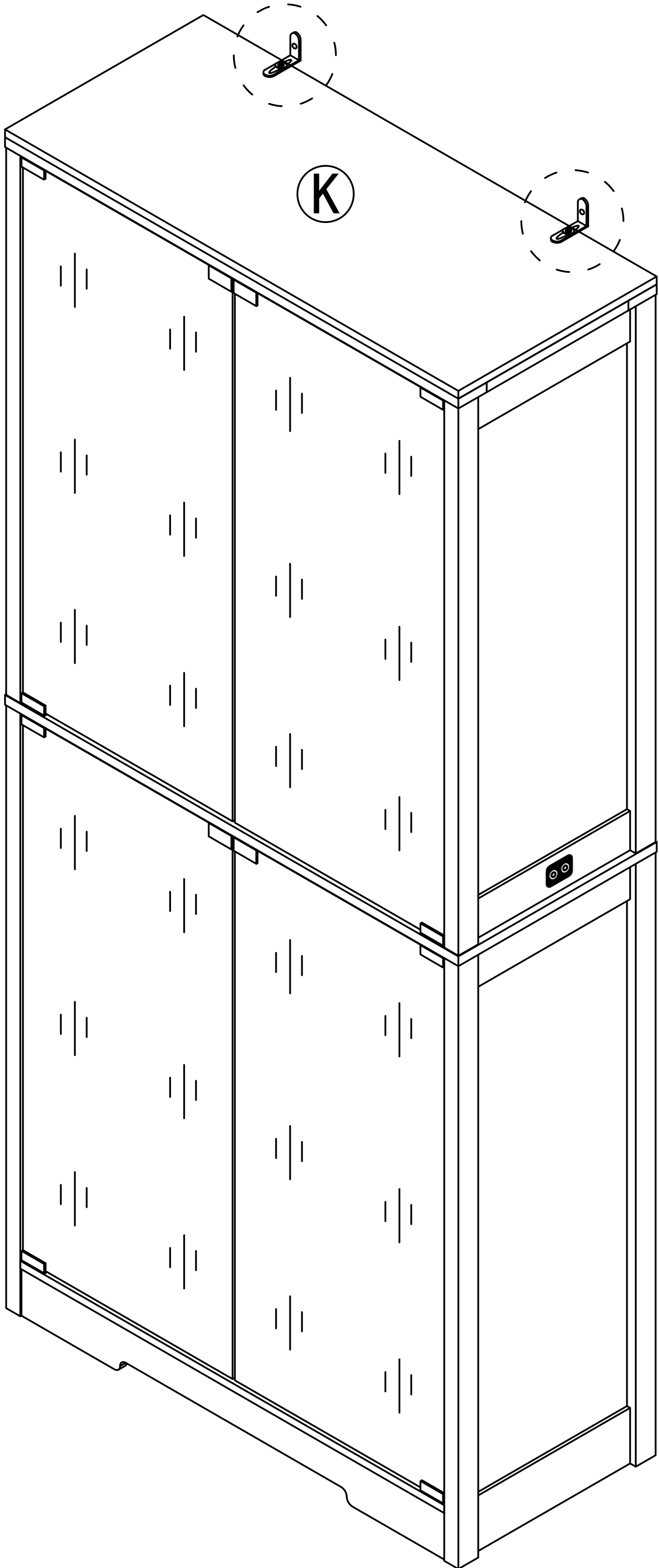
Install as required

11  x2  x2
 x2

3.5x14mm


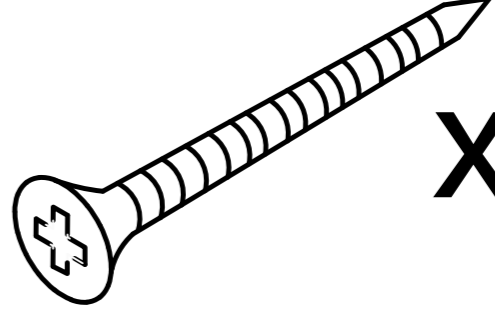
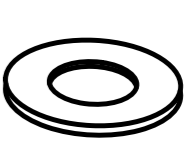


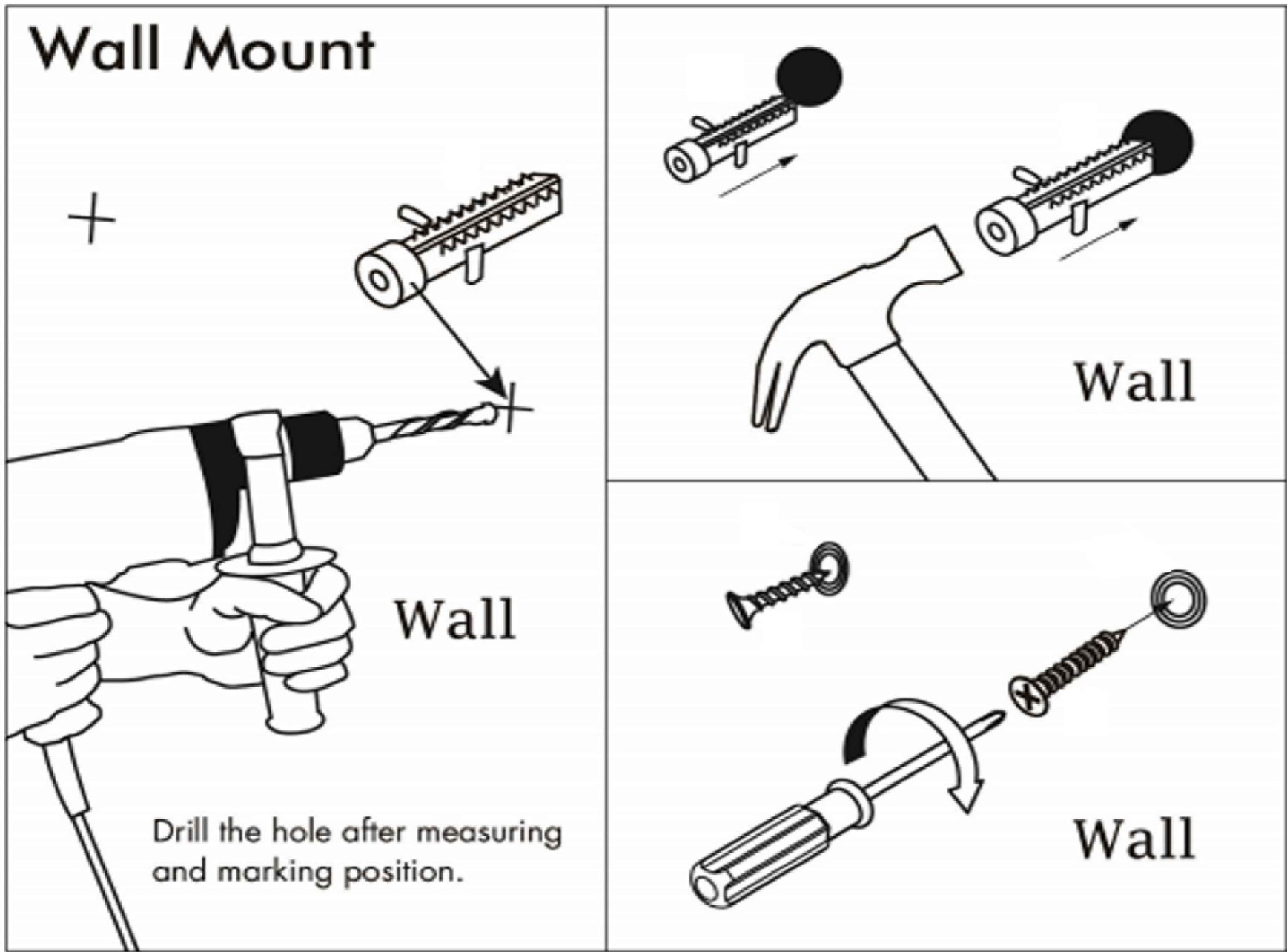
Install the anti fall hardware on the cabinet as shown in the picture first



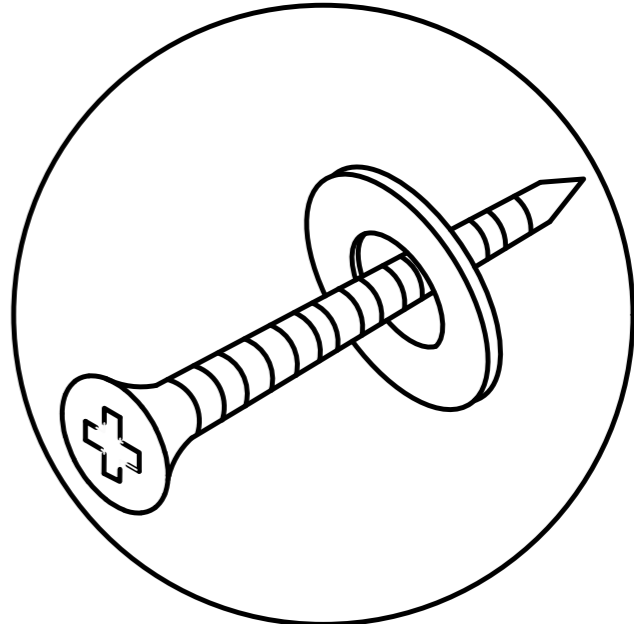
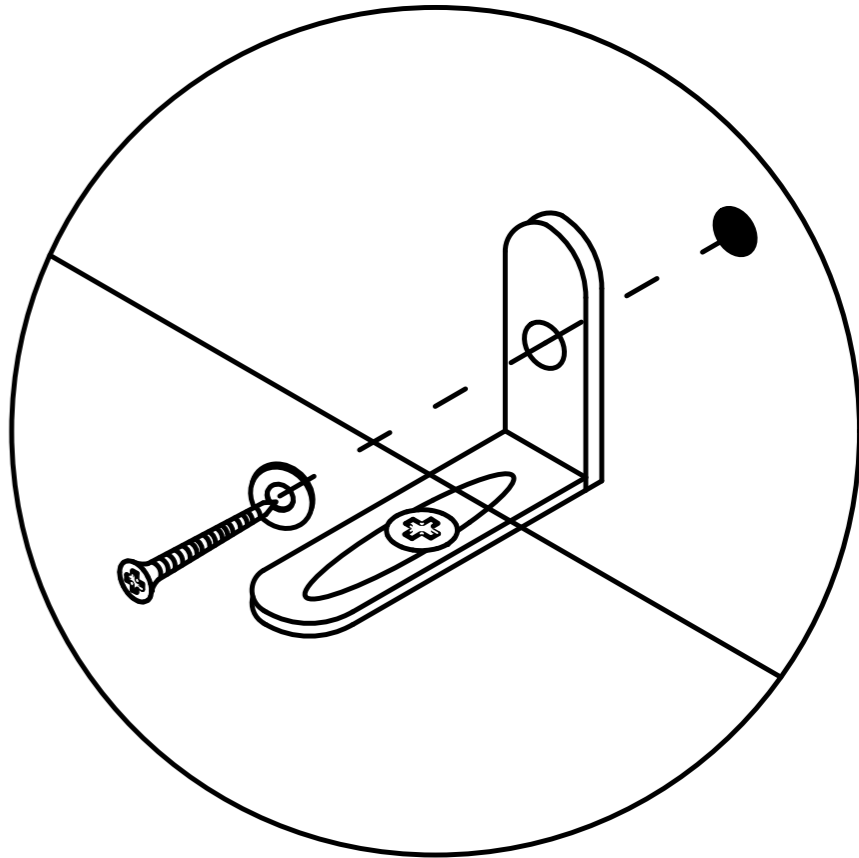
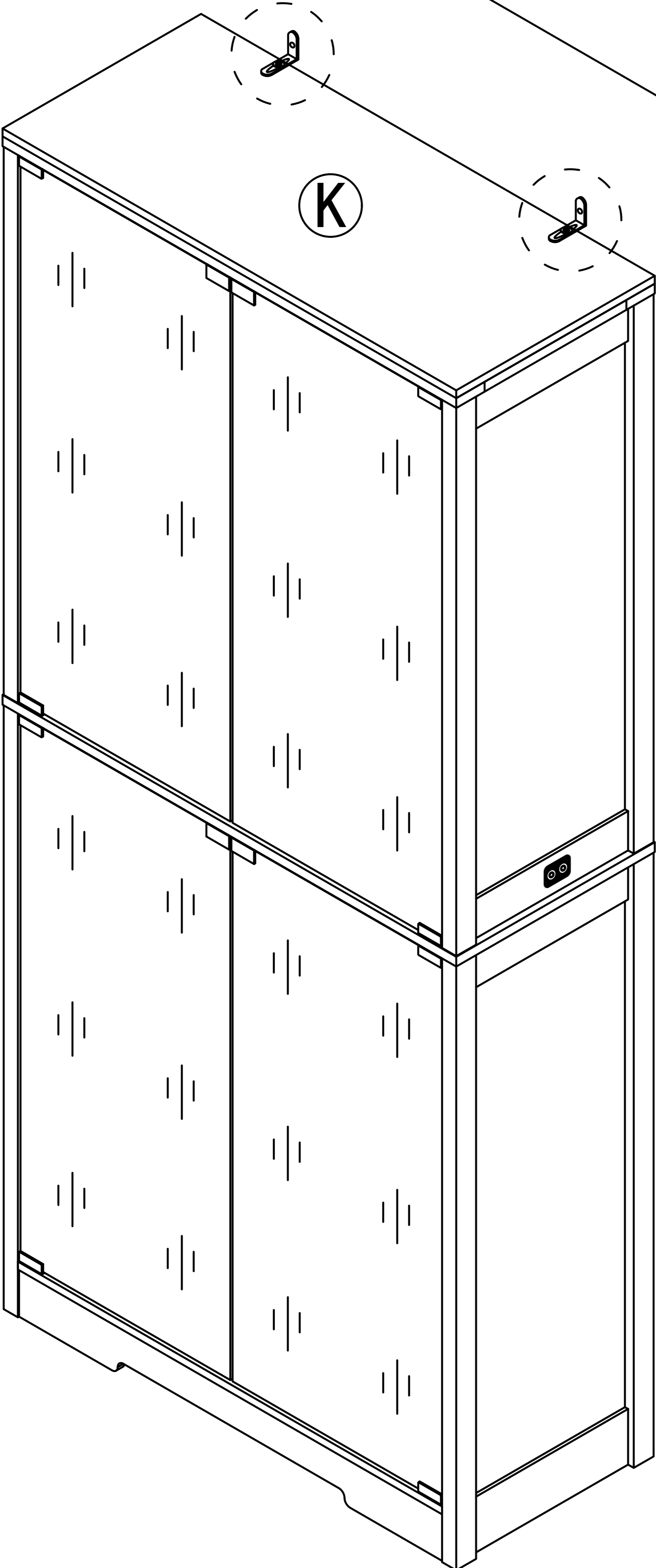
Then mark the wall with a pen through the holes in the anti-fall hardware

Step 36

- 11  x2
-  x2  x2



Drill the hole with an electric drill and punch in the colloidal particles



4x45mm

Fix the dressing table to the wall

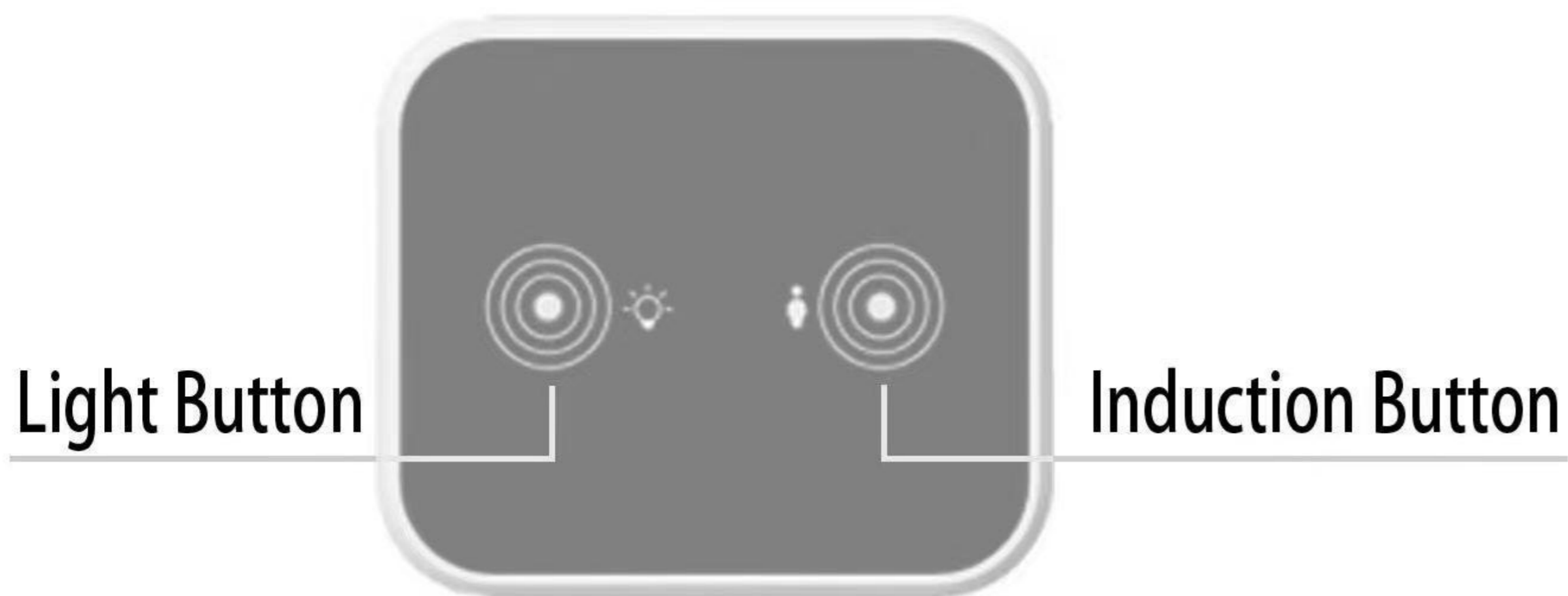
User's Guide

Thank you for purchasing this product. To use this product, please plug it into a 12V DC power supply. Please use if the product works normally after connecting to power.

Introduction

The box is an intelligent controller with 2 touch buttons. It can turn ON/OFF the light, change light colors, and adjust the light luminance.

Product Show



ATTENTION PLEASE

1. If there is no touch response suddenly, Re-plug the power to reset the touch static electricity.
2. If bubbles appear on the panel, remove the protective film.

Operation



This touch button is used to turn on/off, change colors, and adjust brightness.

A. Short touch -> lighting on -> short touch -> change light color -> short touch -> change light color -> short touch -> lighting off. B. Long touch -> adjust the luminance



This touch button is used to turn on/off the induction function.

A. Short touch to turn on the induction function. It can auto-turn on the light when people are close to the controller in 1 meters. It can auto power off the light when the body is far away from the controller after 30 seconds.

B. Long touch to turn off the induction function.

C. Note: When you touch the light button to change the light modes, the induction function will automatically turn off. It is best to turn on this function after selecting the light color and adjusting the brightness you want.