

DINING TABLE

ASSEMBLY GUIDE



Important - Please read these instructions fully before starting assembly



**SAFETY AND
CARE ADVICE**



NO POWER TOOLS

SAFETY AND CARE ADVICE

- Check you have all the components and tools listed.
- Remove all fittings from the plastic bags and separate them into their groups.
- We do not recommend the use of power drills/drivers for inserting screws, as this could damage the unit. Only use hand screwdrivers and Allen keys.
- Keep children and animals away from the work area, small parts could cause choking if swallowed.
- Make sure you have enough space to layout the parts before starting.
- Assemble the item as close to its final position (in the same room) as possible.
- Do not overtighten the nuts to avoid causing damage to the threads.
- Only clean using a damp cloth and mild detergent, do not use bleach or abrasive cleaners.
- From time to time check that there are no loose screws on this unit
- This product should not be discarded with household waste. Take to your local authority waste disposal centre

IMPORTANT INFORMATION



45 MINUTE
BUILD

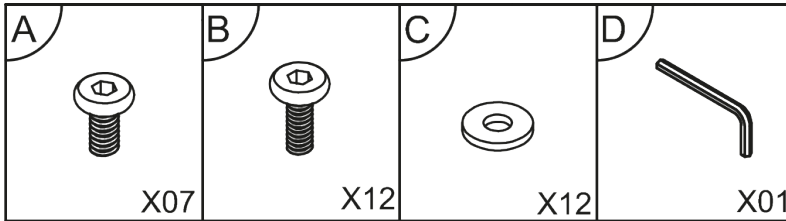


TWO
PERSON



MAXIMUM
CAPACITY 100Kg

PLEASE CHECK CAREFULLY AND MAKE SURE YOU HAVE ALL FITTINGS AND TOOLS LISTED BELOW BEFORE YOU START.



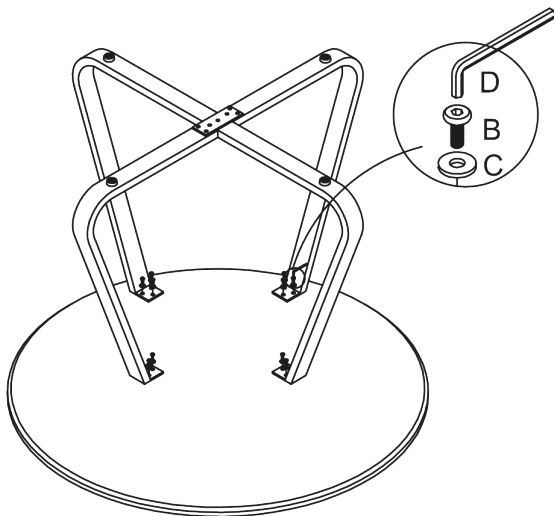
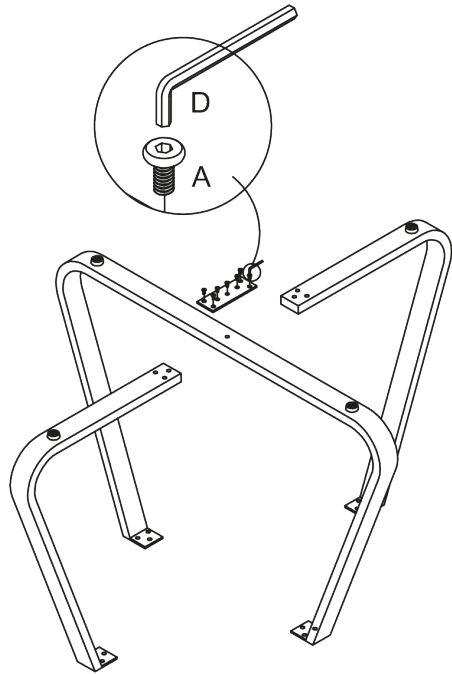
NOTE: The quantities above are the correct amount to complete the assembly. In some cases more fittings may be supplied than are required.

STEP 1

Use a clear, flat, soft surface to avoid bumps or scratches.

First, connect the table legs together using the connecting plate. Use 7x screws [A] in the connecting plate. Tighten using Allen key [D].

ATTENTION: Do not fully tighten yet as you will need some manoeuvrability.



STEP 2

Attach table legs to table top. Place table top on flat surface, face down.

Align holes in table legs with holes in table top.

Secure into places with washer [C] followed by screw [D] for each hole. 3 holes per table leg. Tighten with Allen key [D].

Once table legs are attached to table top, you can tighten all screws fully, including those on the connecting plate at bottom of legs.

STEP 3

ATTENTION: Carefully, and with help, flip your table correct side up, so it sits on its legs. Check stability. Your table is now ready to use.





OUR 1 YEAR GUARANTEE

our products come with a 1 year guarantee to give you peace of mind shopping



WHAT THE GUARANTEE COVERS



PRE-INSERTED FIXINGS

e.g. lose metal threads



FAULTY JOINTS

e.g. legs bending



EXTERNAL FIXING FAULTS

e.g. metal discs removing from table top



STRUCTURAL INTEGRITY

e.g. the frame of the product