

DW-DC01

INSTRUCTION MANUAL

Hello! Please read these important attentions...

Please put a thick carpet on the ground to protect the furniture finish and corners. During the installation process, **DON' T** fasten screws tight 100% at a time.



FORM FOR REPLACING MISSING OR DAMAGED PIECES.

Please email to : customerservice@directwicker.com

Model # of product: _____
Ordered by: _____
Order No.: _____
Delivery date: _____

Were the boxes good when delivery to you Yes / No

Upon receiving the product, were all the parts intact Yes / No

Name: _____

Address: _____

Tel: _____



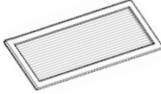
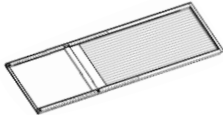



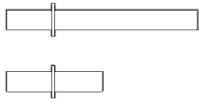

If the product is found damaged after assembly, please provide photos of the entire furniture set and all damaged areas.

Part#	Qty	Description	Missing/Damaged
			M / D
			M / D
			M / D
			M / D

If you do not receive a notification of the replacement parts within 1 week, please email us at customerservice@directwicker.com.


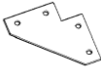




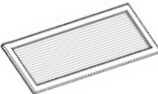



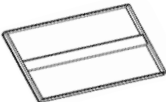
Assembly Instructions

Please read this before you proceed

A		Backplane1	1pc
B		Backplane2	1pc
C		Left Door1	1pc
D		Side panel	2pcs
E		Top	1pc
F		Adjustable shelf1	2pcs
G		Bottom	1pc
H		Foot	2pcs
I		Long pin Short pin	2pcs
J		Washer	4pcs

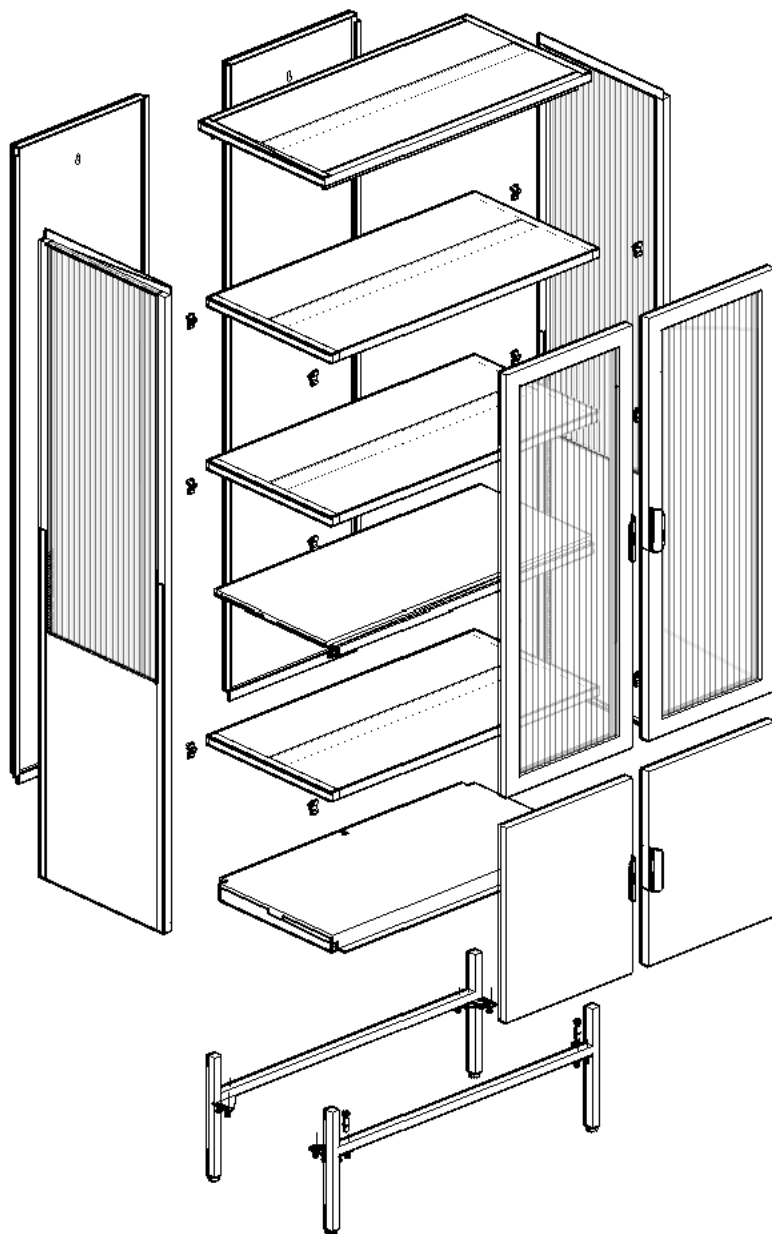
Assembly Instructions

Please read this before you proceed

K		Handle screw	8pcs
L		Foot fixers	4pcs
M		Expansion screw	2pcs
N		Hanging film	12pcs
O		Self-tapping screw	39pcs
P		Handle	4pcs
Q		Right Door1	1pc
R		Middle plane	1pc
S		Left Door2	1pc
T		Right Door2	1pc
U		Adjustable shelf2	1pc

Assembly Instructions

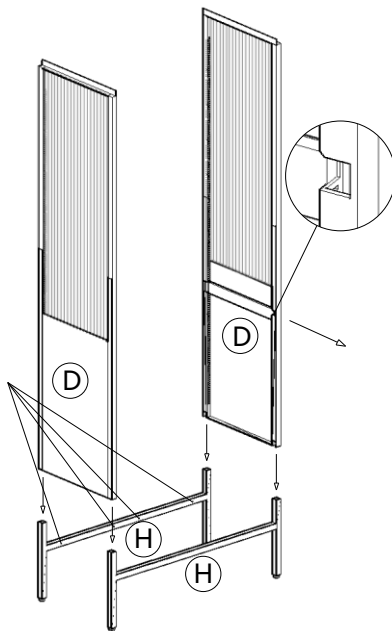
Explosion view



Assembly Instructions

1

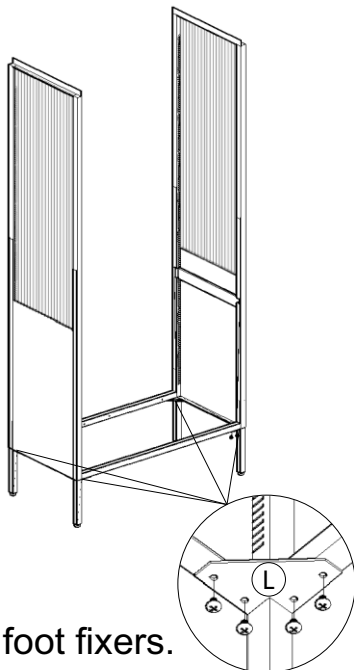
Make sure that the foot screw holes are placed in the inside during installation.



Make sure this opening is forward.

Insert the side panel at the foot.

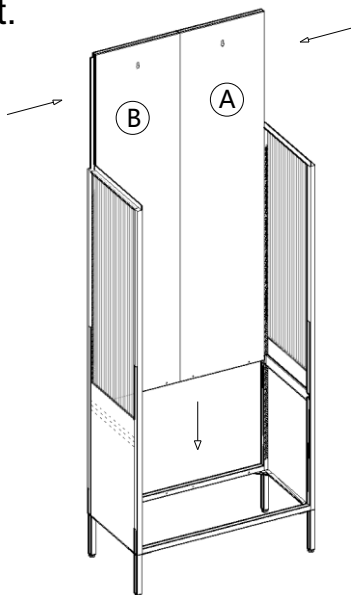
2



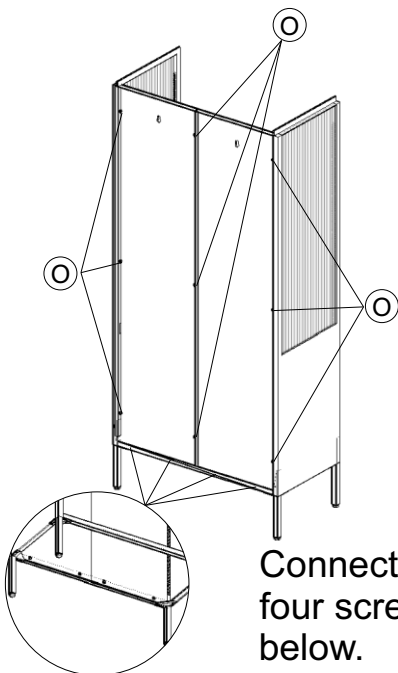
Install four foot fixers.

Assembly Instructions

- 3** After combining backplane 1 and backplane 2, install it into the cabinet.



4

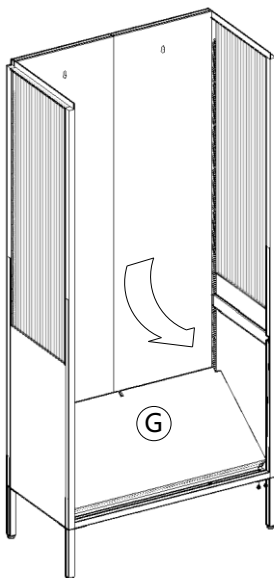


Install the nine screws of the back plane.

Connect the four screws below.

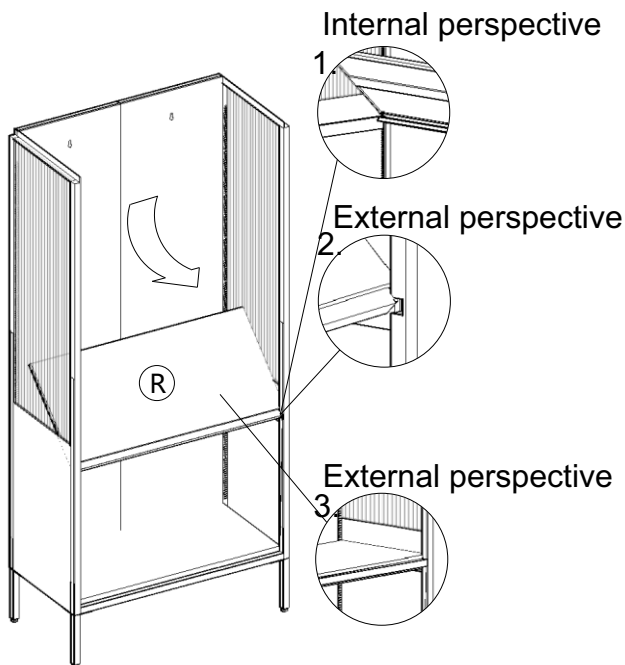
Assembly Instructions

- 5 Install the bottom.



Insert it diagonally and then flatten it.

- 6

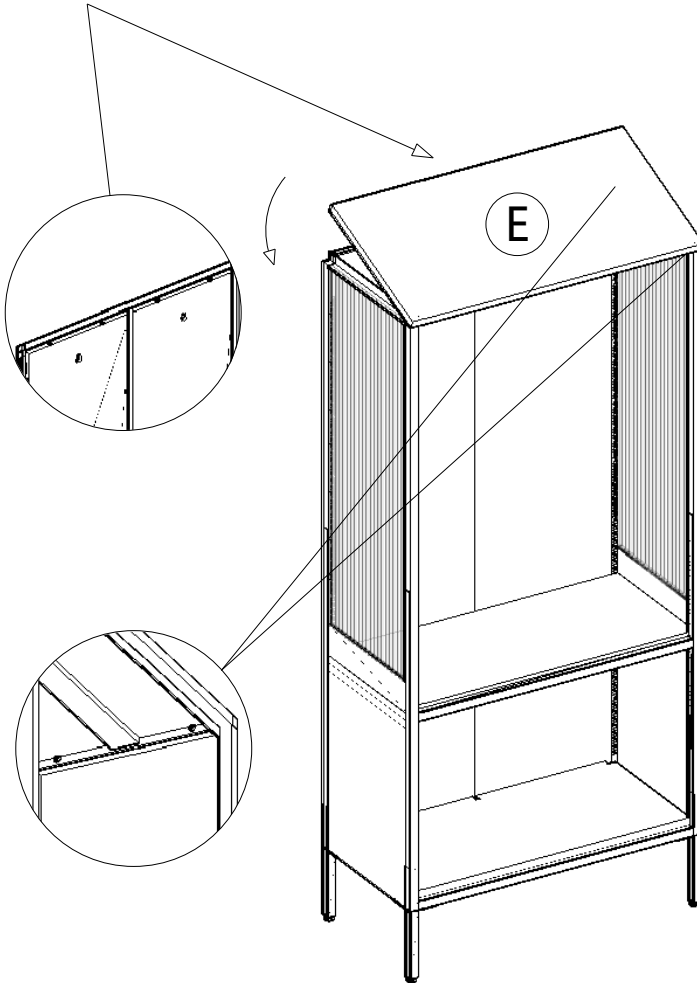


Insert the middle plane into the gap and flatten it.

Assembly Instructions

7

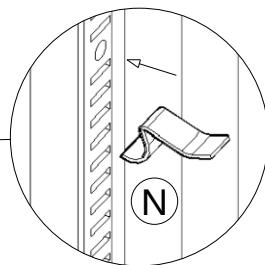
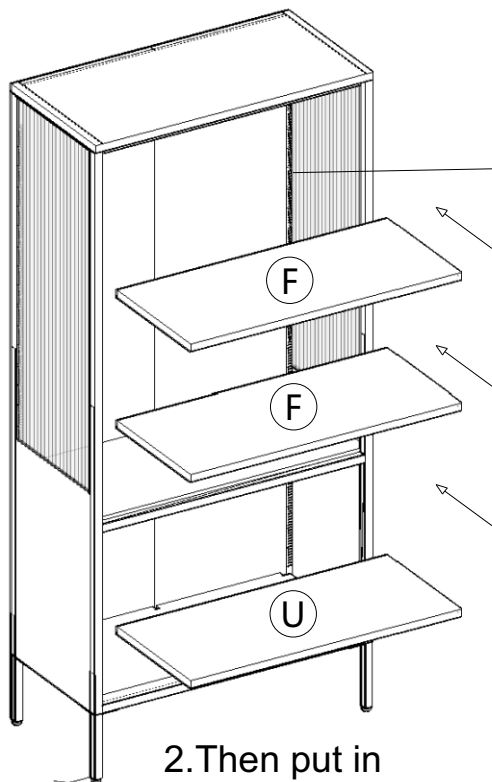
Install the top.



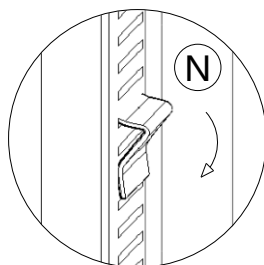
Connect the inner
screw of the top and
the back screw.

Assembly Instructions

8



1. Horizontal insertion and vertical placement.

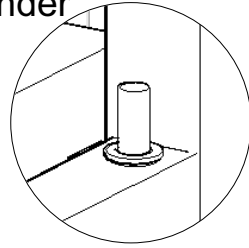
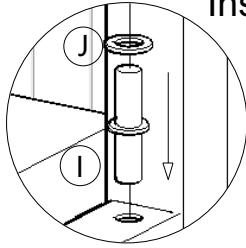


2. Then put in the adjustable shelf.

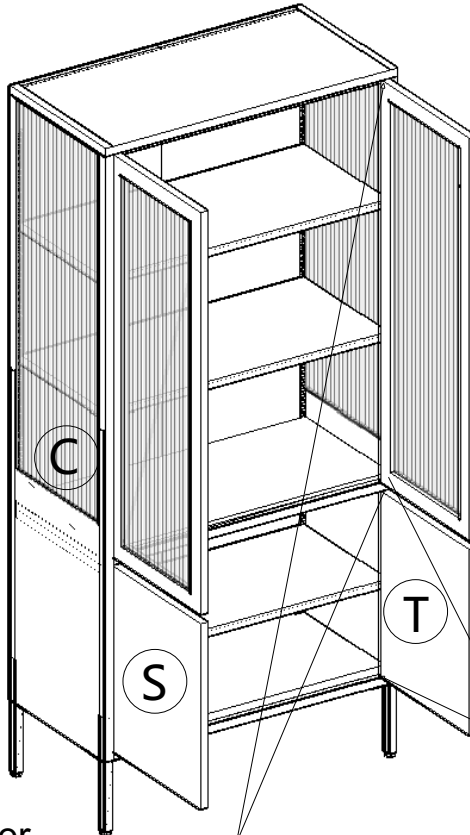
Assembly Instructions

9

Install the pin under the cabinet



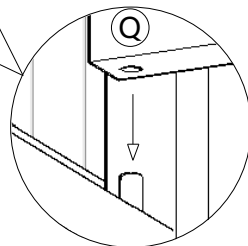
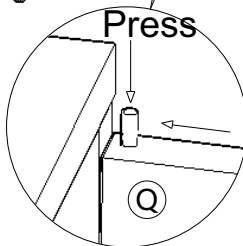
The upper cabinet door uses long pins.



Take the right door1 as an example.

Q

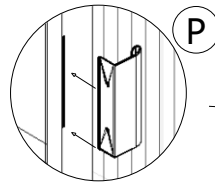
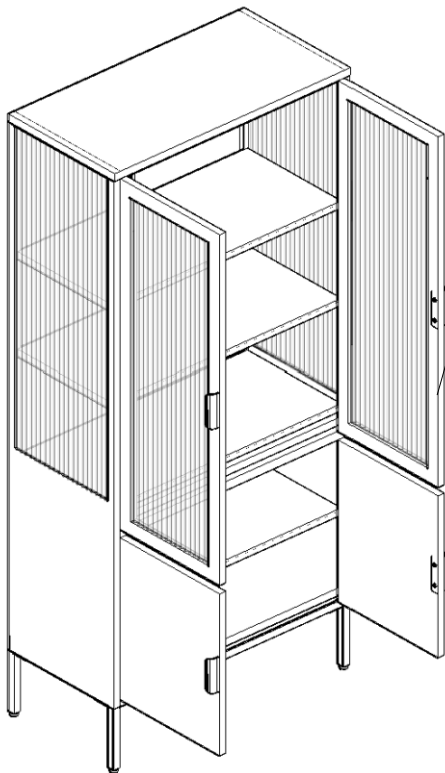
The lower cabinet door uses short pins.



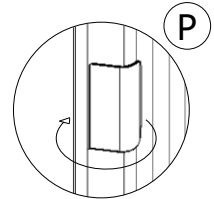
Insert the bottom hole of the cabinet door into the pin

Assembly Instructions

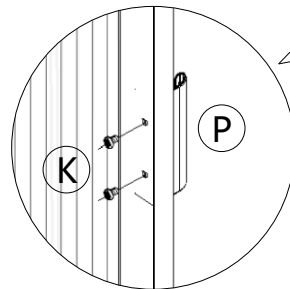
10



Insert a gap



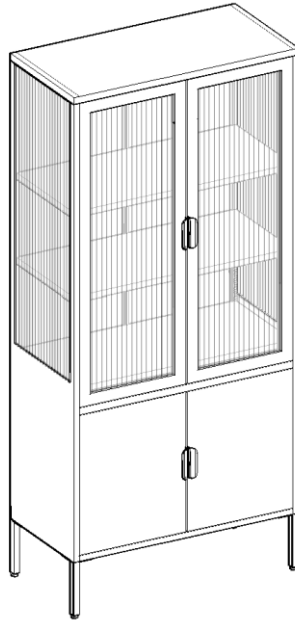
Rotate 90°



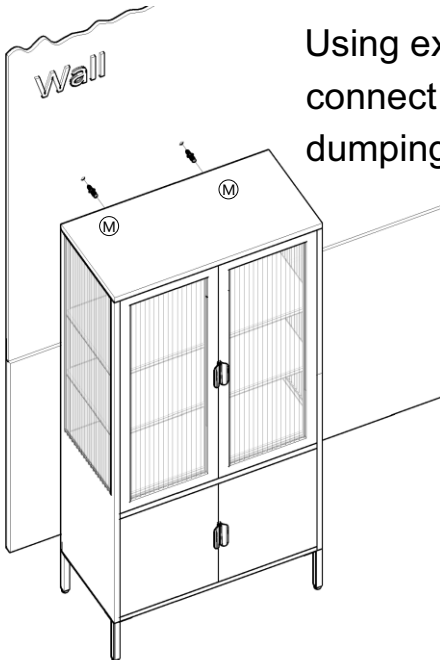
Use the handle screws to install the handle.

Assembly Instructions

11 Finish



12



Using expansion screws to connect to the wall can prevent dumping and make it stronger.



Customer Instruction Card

To our most beloved and valued customer:

Thank you for your order, and we appreciate your trust and support.

If you need any assistance or have any questions about your order, please reach our customer service team with your order number at:

Direct Wicker Corp Tel: (813) -304-1389

ET: 9 AM - 5 PM, Monday - Friday

If you would like to know more about Direct Wicker or need to forward documents, you can also reach us at: **customerservice@directwicker.com**

Our team will always be here to help.

Common Questions:

1. Normally the cushion is placed within the ottoman/ chair, please turn it upside down, you may find the cushion.
2. Please do not fully tighten the screws before all parts were assembled successfully, in case the products can not be lined up in position.
3. Furniture sets are mostly delivered in multiple cartons. If the numbers of boxes you received are not correct/missing. Please contact us via phone or email with your order number.
4. Our cushions are considered as shower proof, and we recommend that when the furniture set is not in use , cover it with a furniture cover or store it in dry place.
5. Always be careful when cleaning or handling glass (Always wear gloves and read the instructions of any household cleaner.) We do not advise placing hot objects such as tea or coffee pots directly onto the surface of the glass, always use coasters.
6. If you would like to return the order, be sure to also return any accessories and packing slips that came with your original package.

Thank you for your understanding and cooperation, we wish you a fantastic shopping experience with us, and we are looking forward to serving you again!

Direct Wicker Team

A stylized illustration of a hand holding a bouquet of flowers. The bouquet consists of several stems with small, light blue and pink flowers. The hand is shown in a light skin tone, holding the bouquet from the bottom right.

Your Home Our Passion



For more information, please visit our website:
www.directwicker.com