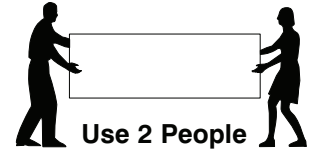
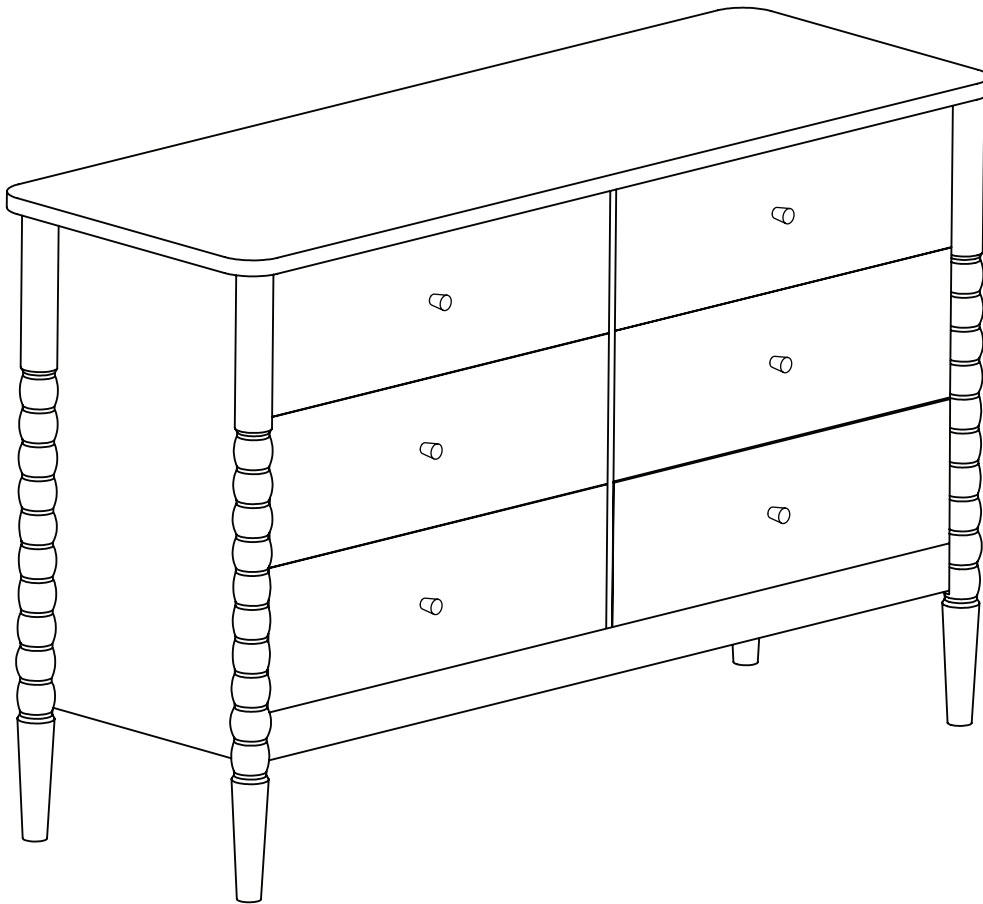


9011 6 Drawer Dresser

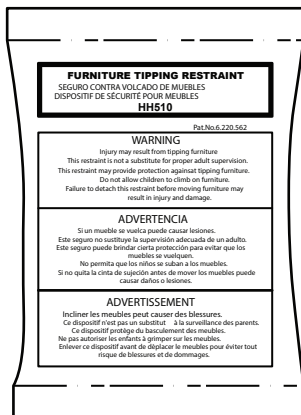
Assembly Instructions

WI-0724



Note: Do not assemble using power tools. This can cause the bolts to be overtightened

WARNING



Anti Tipping Kit
Anti Tipping Kit x 1



Children have died from furniture tipover.

To reduce the risk of furniture tipover:

- ALWAYS install anti-tip device provided.
- NEVER put a TV on this product.
- NEVER allow children to stand, climb, or hang on any drawers, doors or shelves.
- NEVER open more than one drawer at a time.
- DO NOT defeat or remove the drawer interlock system; it is an important stability and safety system.
- Place heaviest items in the lowest drawer.

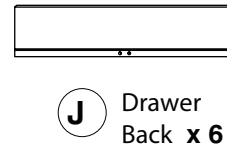
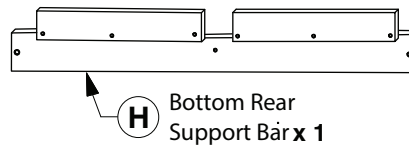
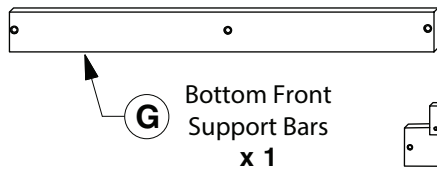
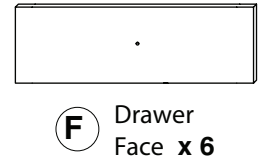
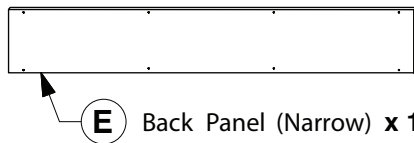
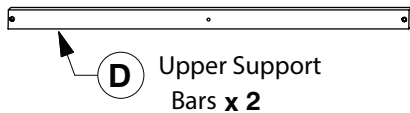
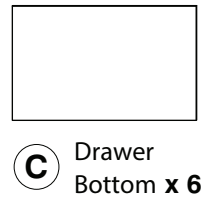
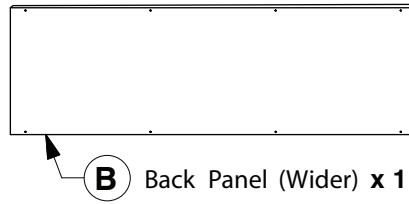
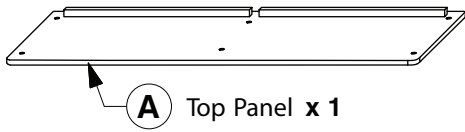
9011 6 Drawer Dresser

Assembly Instructions

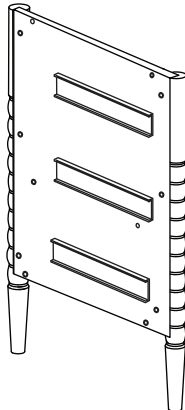
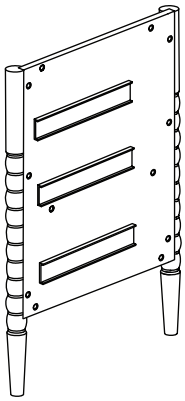
WI-0724

1 Parts List

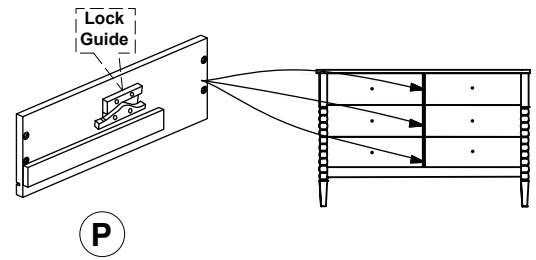
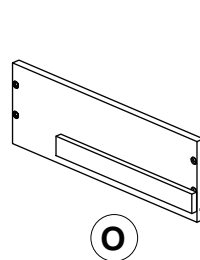
Parts in Box A:



Parts in Box B:

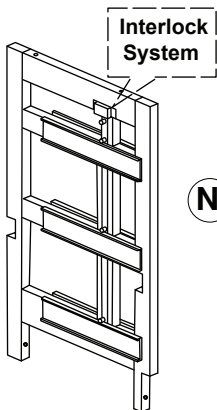


Parts for **LEFT** Side Drawer

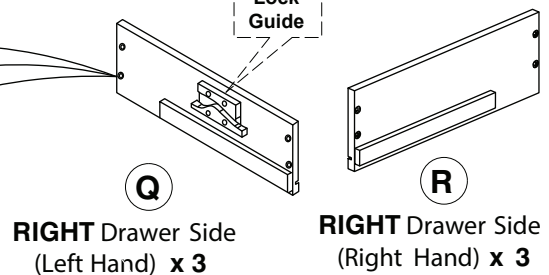
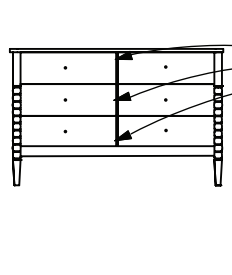


L Side Panel (Left Hand) x 1

M Side Panel (Right Hand) x 1



Parts for **RIGHT** Side Drawer

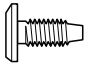


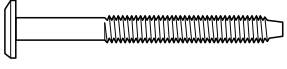
9011 6 Drawer Dresser


Assembly Instructions

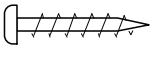
WI-0724

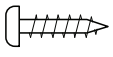
2 Hardware List

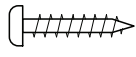
- 


1 M6 x 15mm JCB
x 24
- 


2 M6 x 60mm JCB
x 2
- 


3 M6 x 30mm JCB
x 4
- 

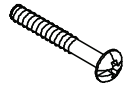
4 Wood Screw (M4 x 32mm)
x 16
- 


5 Wood Screw (M4 x 20mm)
x 24
- 

6 Wood Screw (M4 x 25mm)
x 60
- 

7 M6 x 25mm Wood Dowel
x 24
- 

8 'L' Bracket (5005-3) x 12
- 

9 Handle (1005) x 6
- 

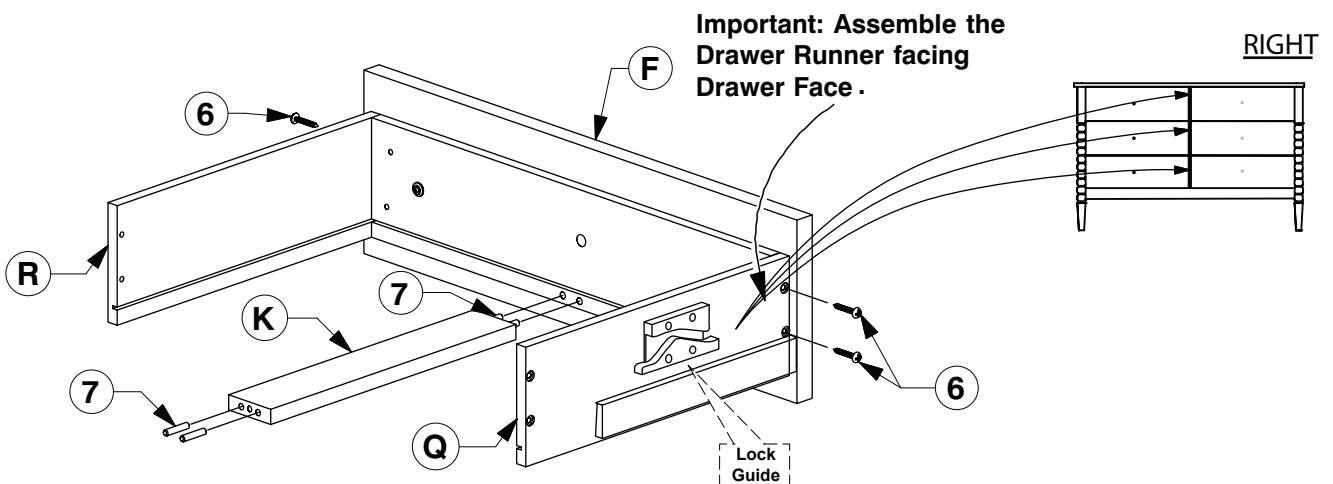
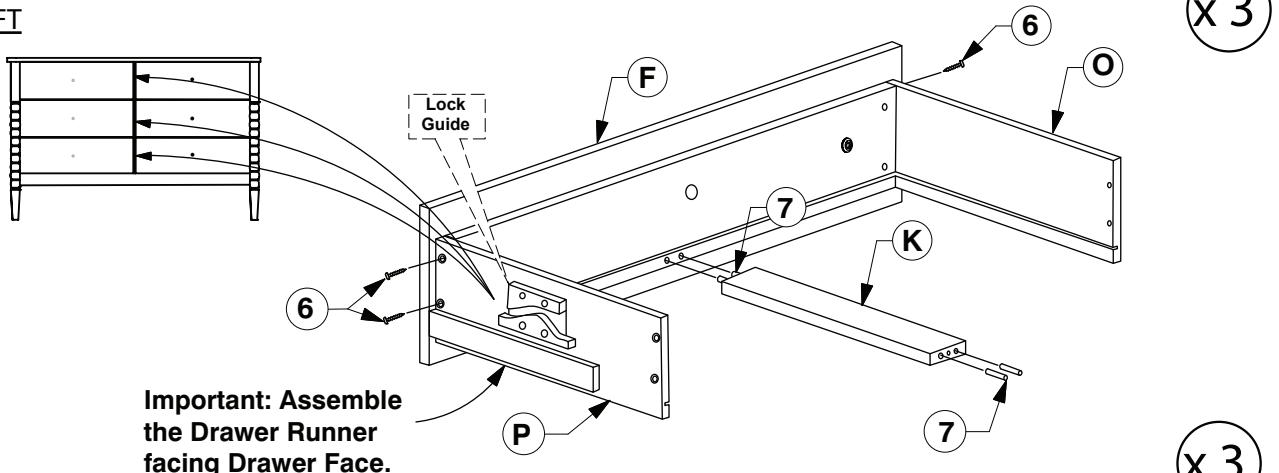
10 M4 x 20mm Wood Screw x 6
- 

11 Allen Key x 1

3 Assemble the Drawers.

STEP 3.1

LEFT



9011 6 Drawer Dresser

Assembly Instructions

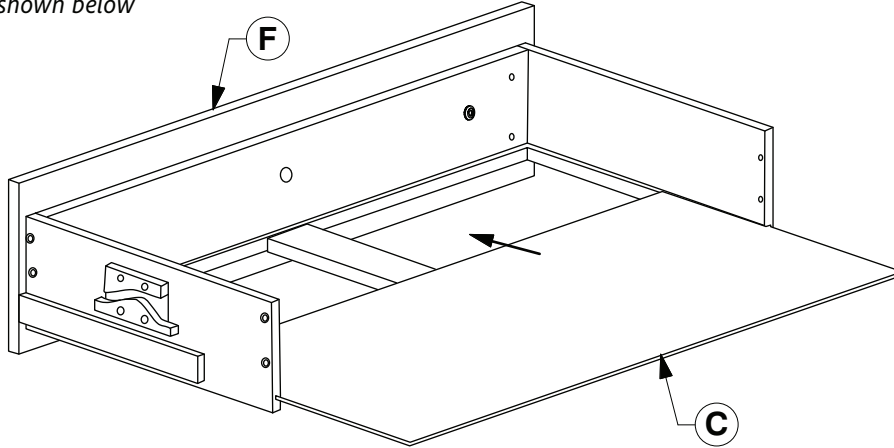
WI-0924

3 Assemble the Drawers.

STEP 3.2

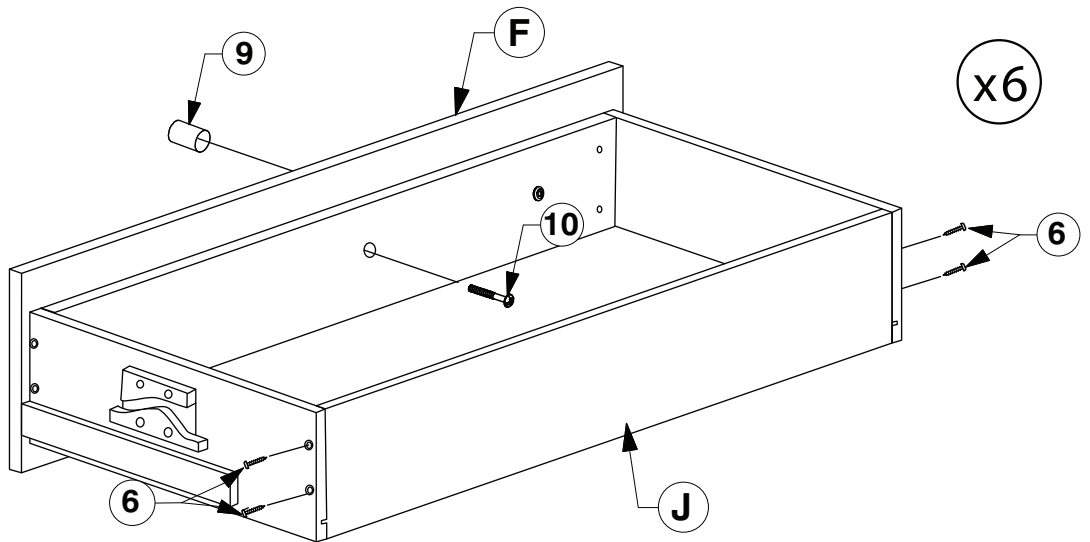
x6

* 3 Assemble the left and right drawers as shown below



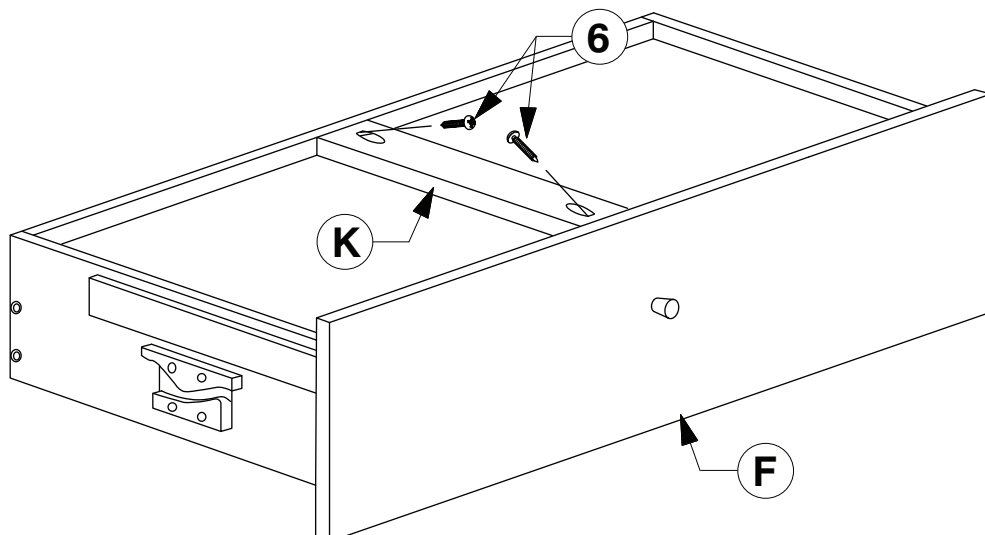
STEP 3.3

x6



STEP 3.4

x6

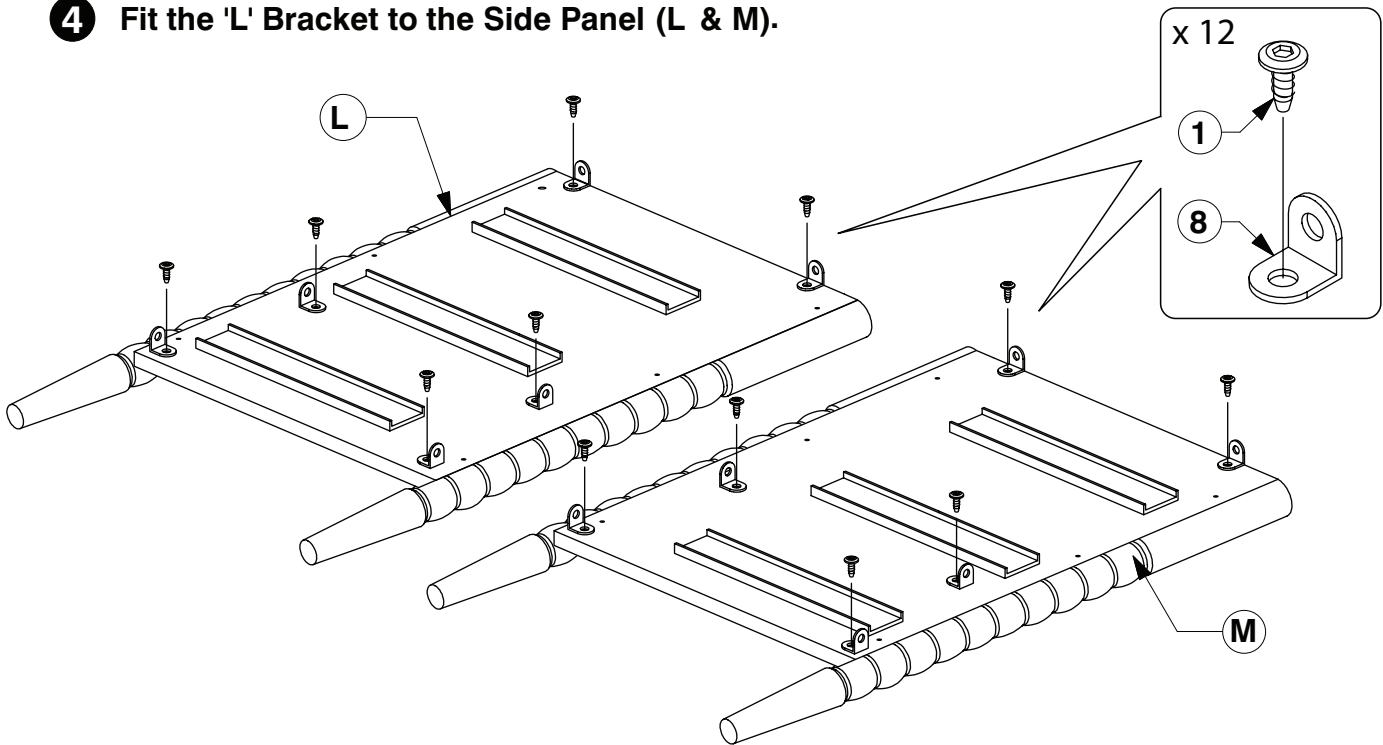


9011 6 Drawer Dresser

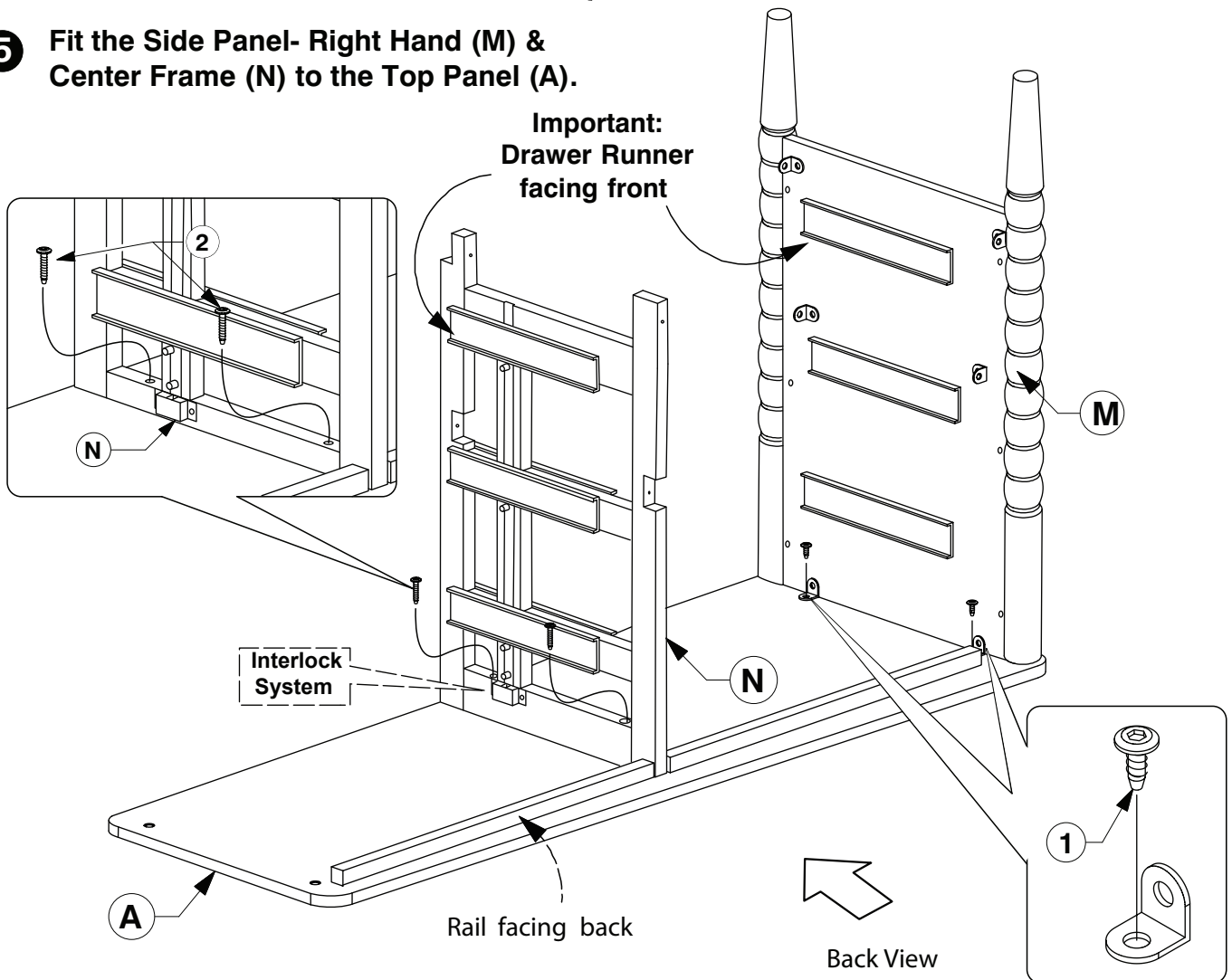
Assembly Instructions

WI-0724

4 Fit the 'L' Bracket to the Side Panel (L & M).



5 Fit the Side Panel- Right Hand (M) & Center Frame (N) to the Top Panel (A).

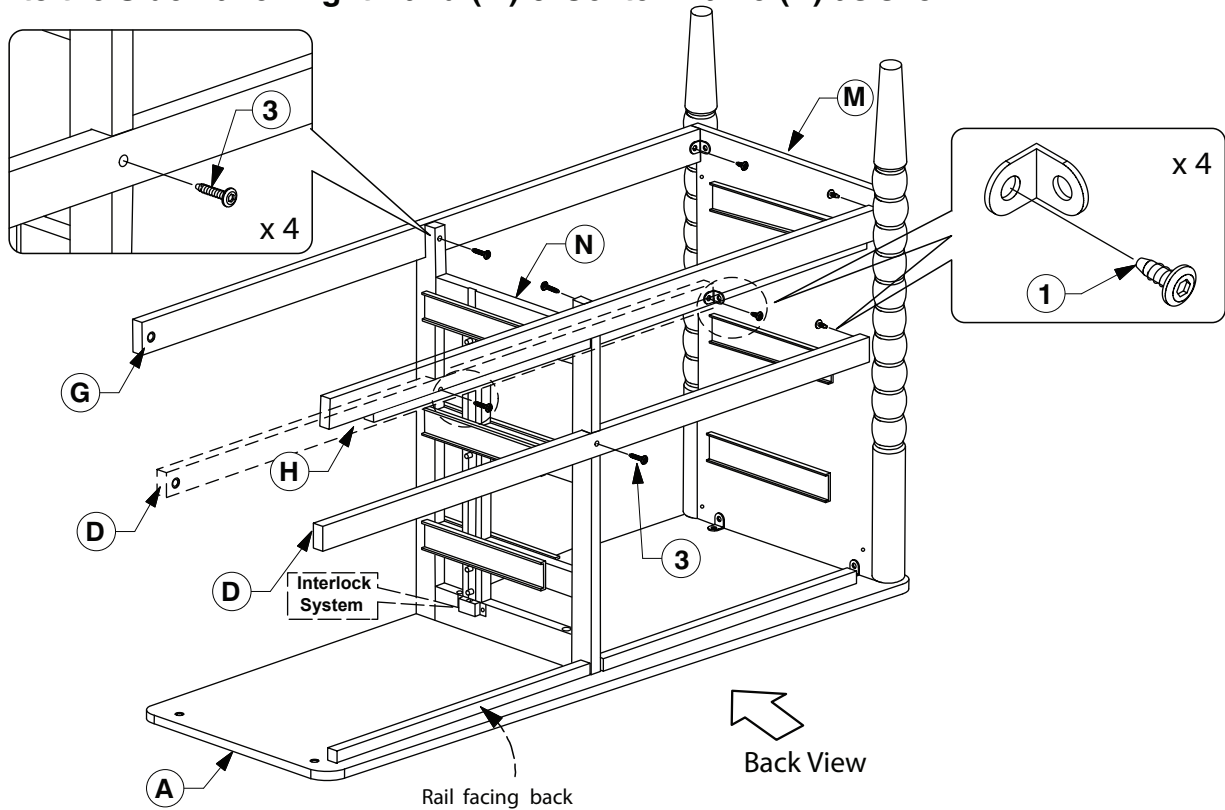


9011 6 Drawer Dresser

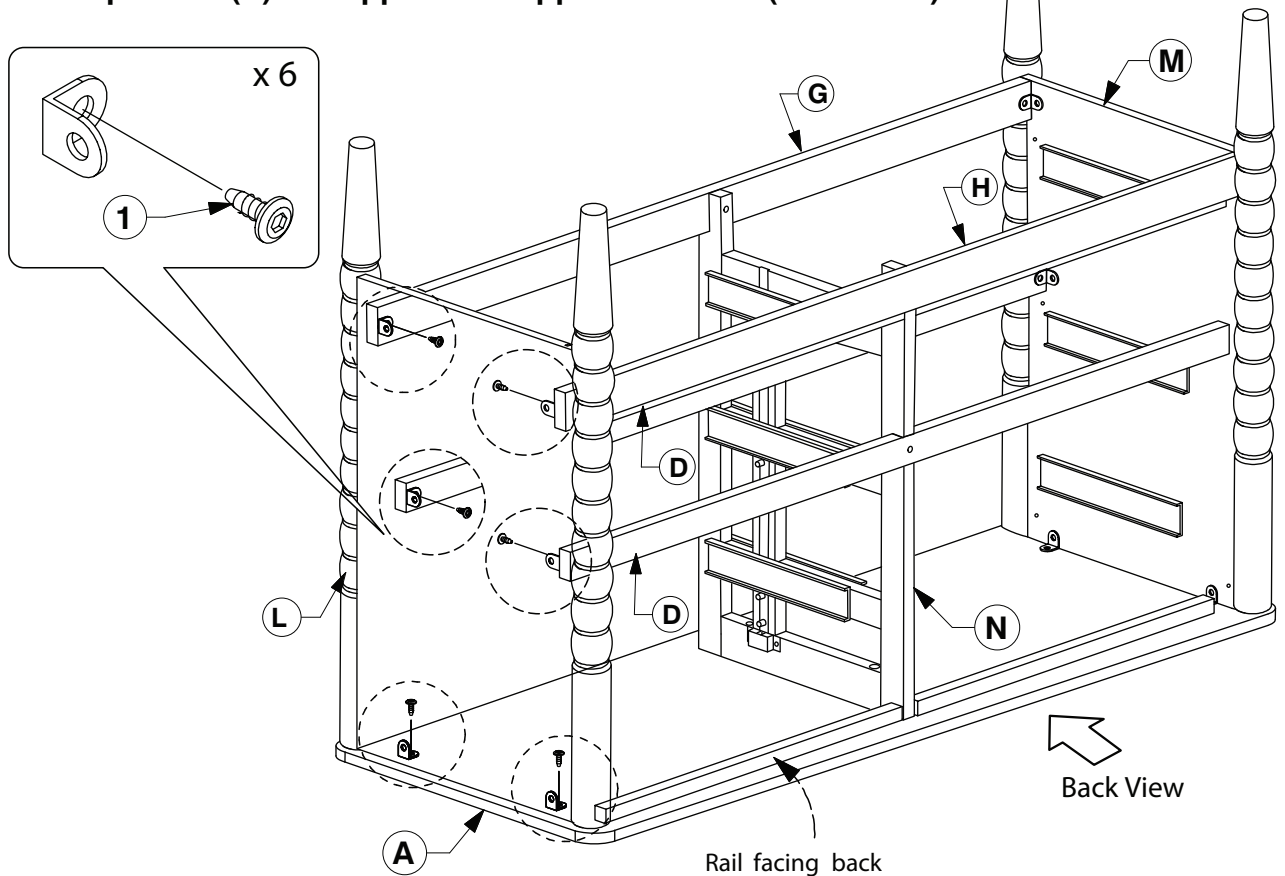
Assembly Instructions

WI-0724

- 6** Fit the Upper Support Bar (D) and Bottom Front & Rear Support Bars (G & H) to the Side Panel-Right Hand (M) & Center Frame (N) as shown.



- 7** Fit the other side of Side Panel- Left Hand (L) to the Top Panel (A) & Support Bar Upper & Bottom (D & G & H).

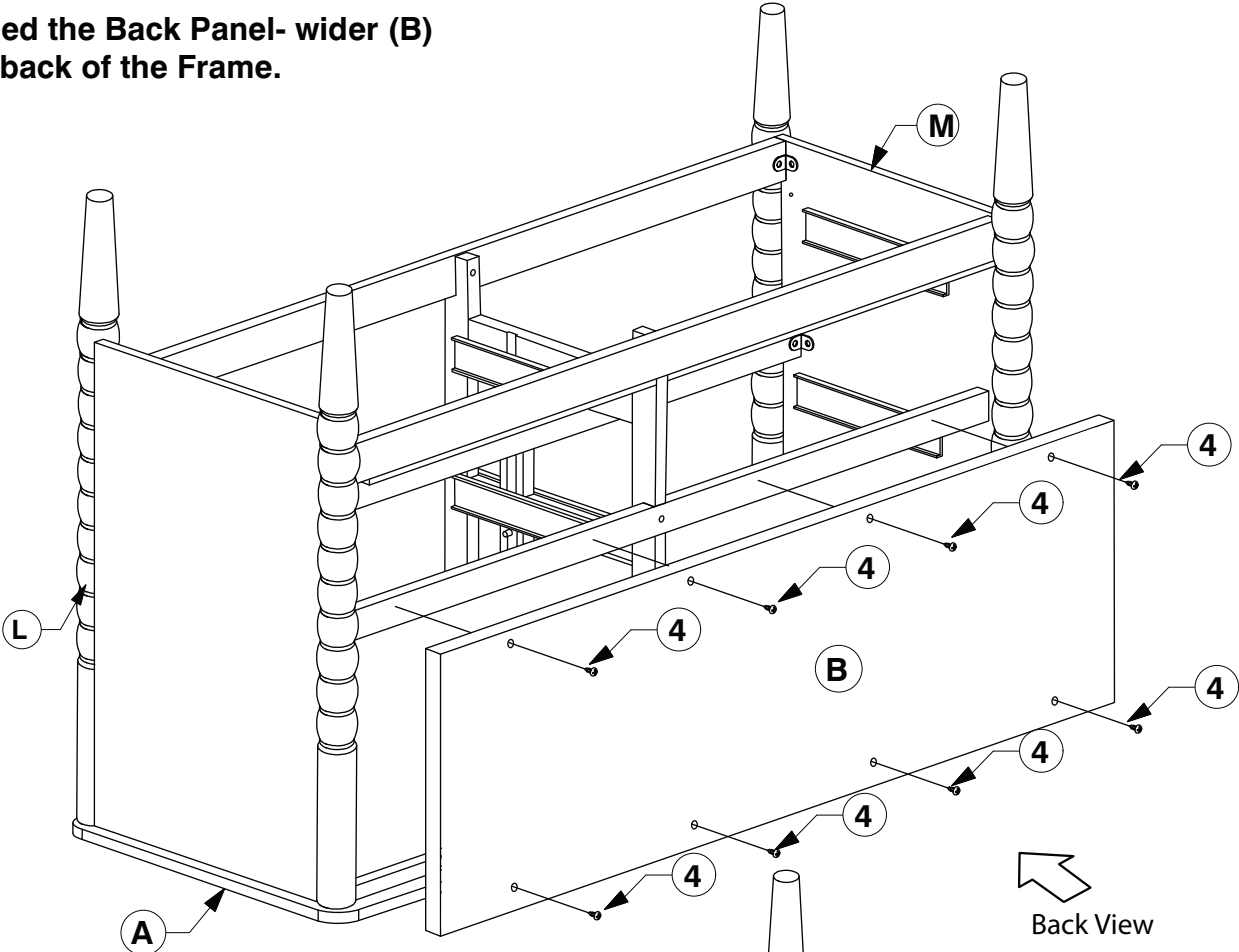


9011 6 Drawer Dresser

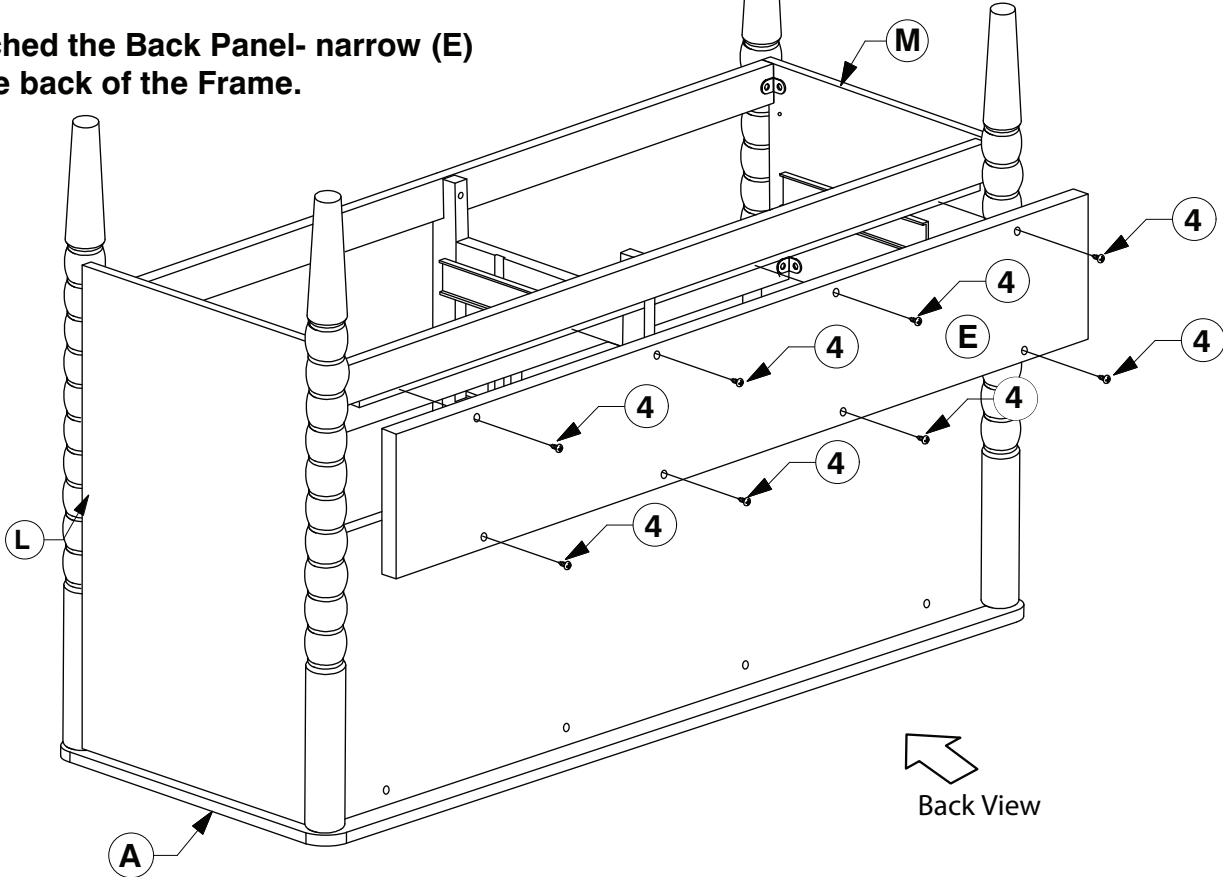
Assembly Instructions

WI-0724

8 Attached the Back Panel- wider (B) to the back of the Frame.



9 Attached the Back Panel- narrow (E) to the back of the Frame.



9011 6 Drawer Dresser

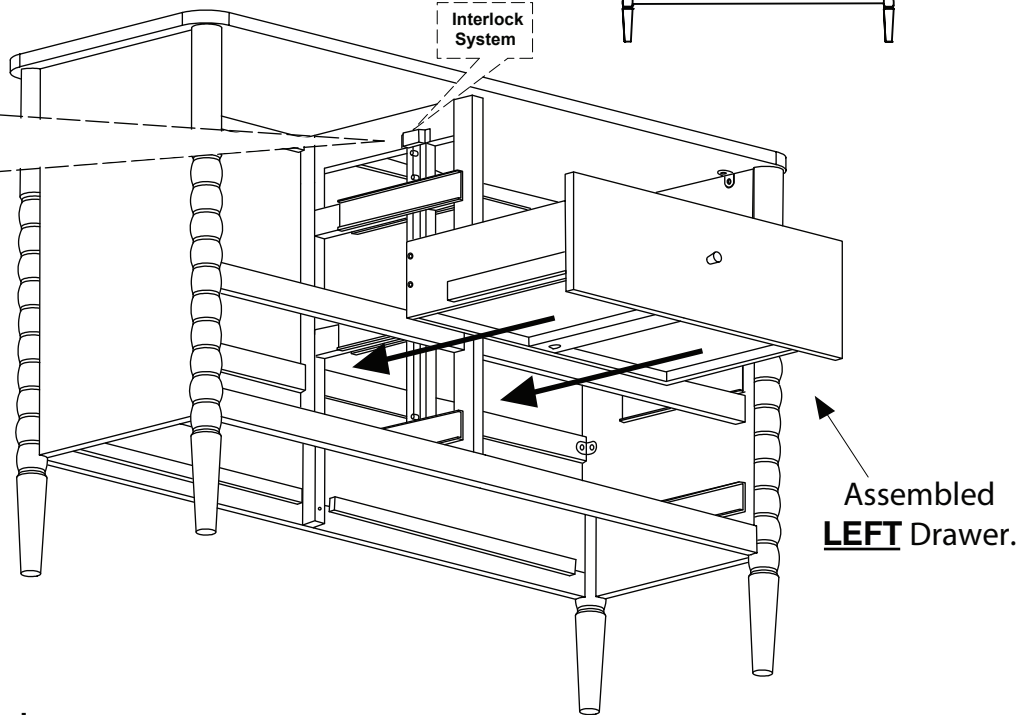
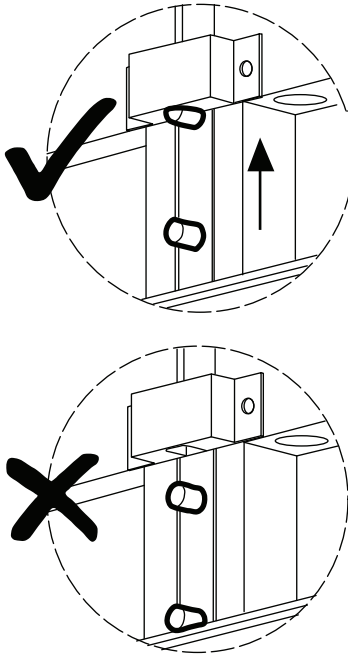
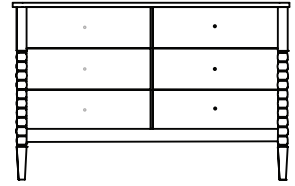
Assembly Instructions

WI-0924

10 Install the Drawers.

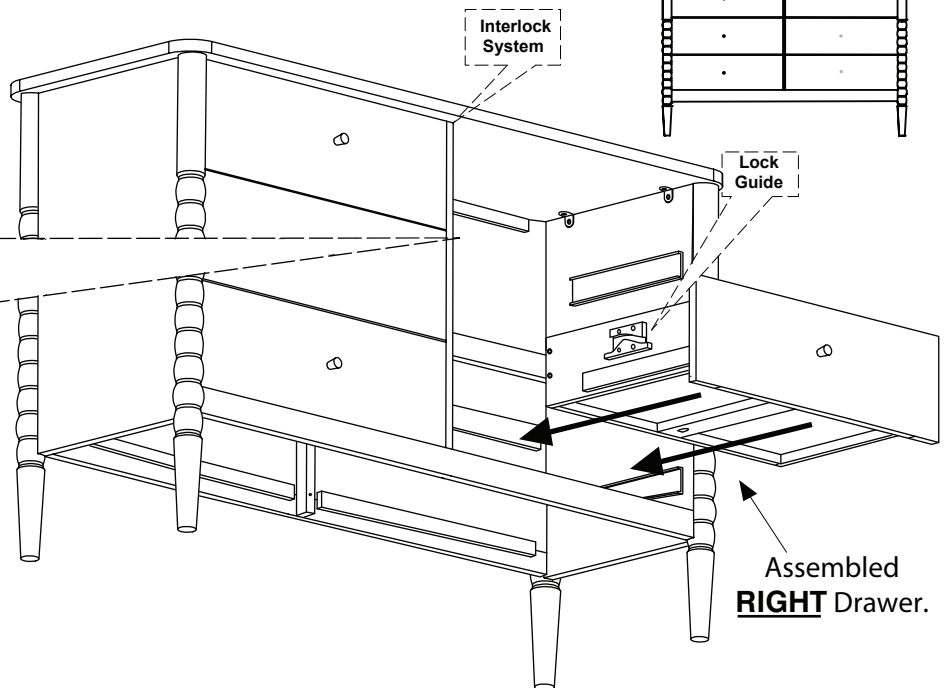
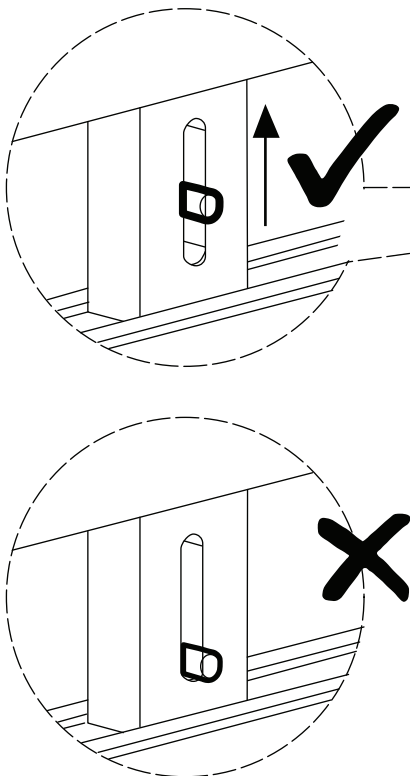
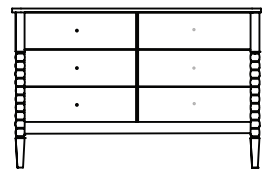
- Push the Interlock bar **upwards** before inserting the drawers.

LEFT



- Push the Interlock bar **upwards** before inserting the drawers.

RIGHT



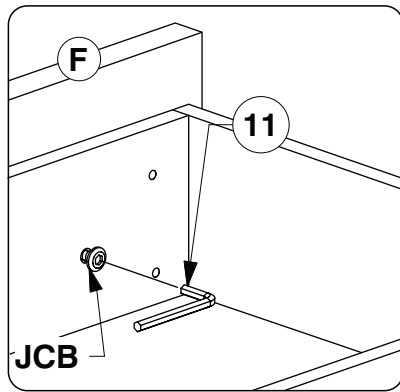
9011 6 Drawer Dresser

Assembly Instructions

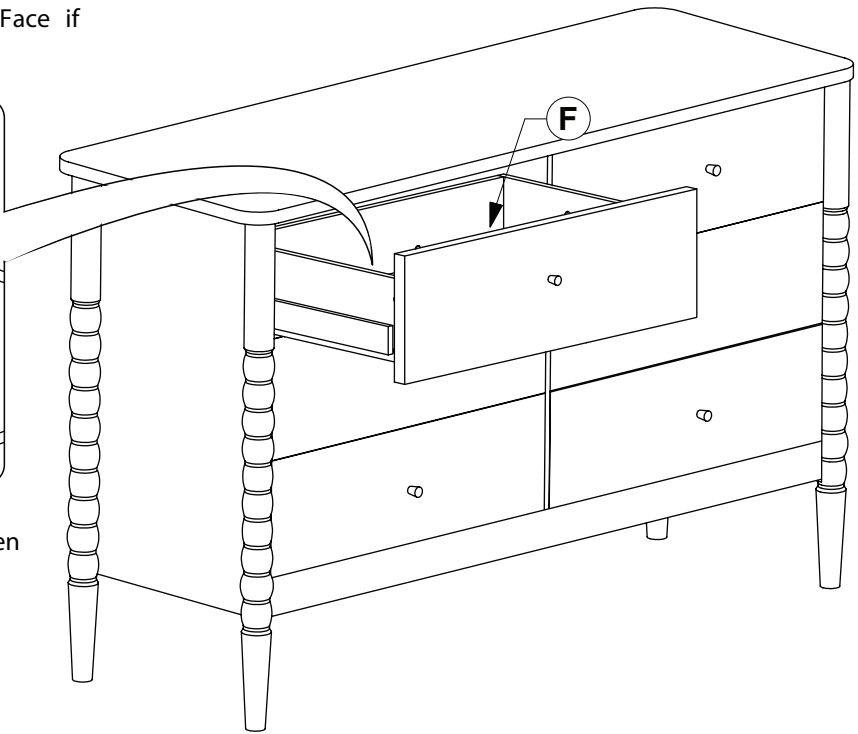
WI-0924

11 Adjust the Drawer Face (F).

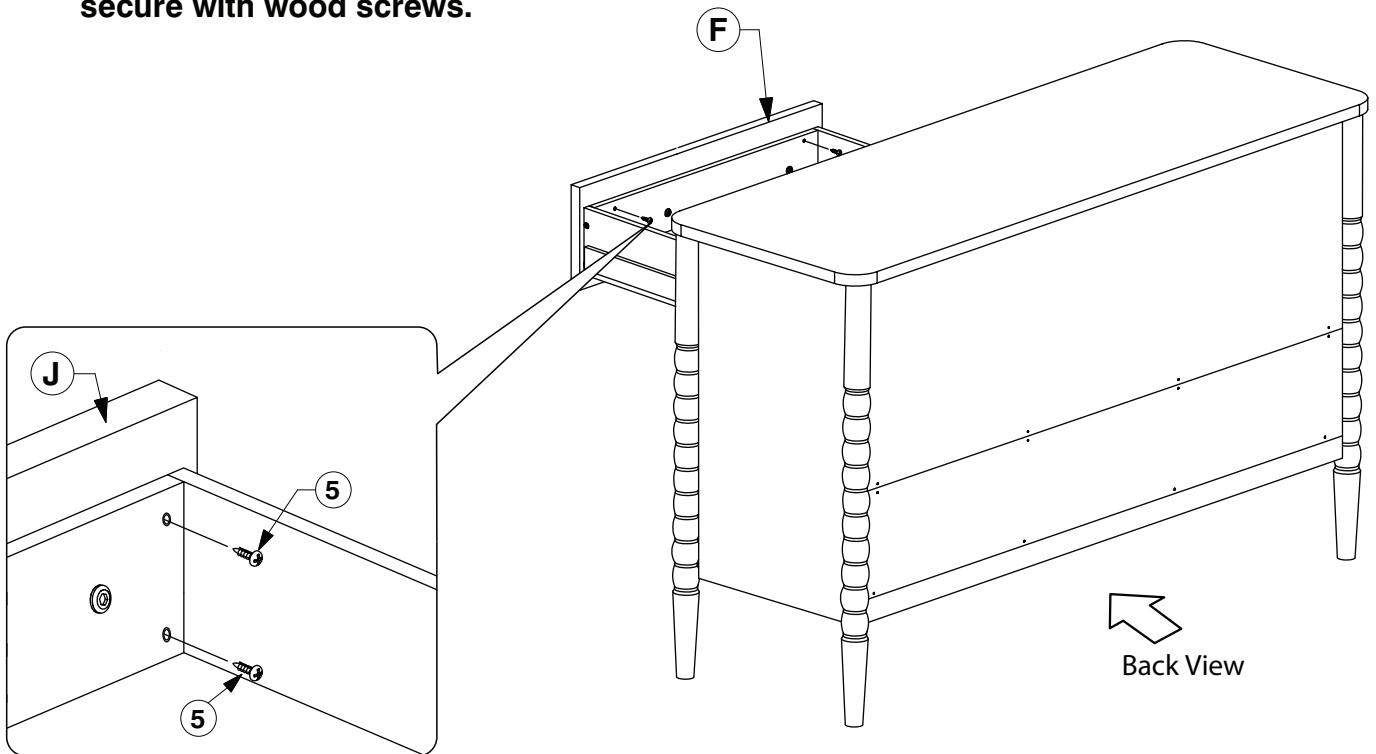
- * NOTE: Before fitting the Wood Screws .
Losen the JCBs on the Drawer Face if
the face needs alignment.



- * NOTE: Only one Drawer can be open
at a time.



12 After the Drawer Faces (F) are aligned, secure with wood screws.



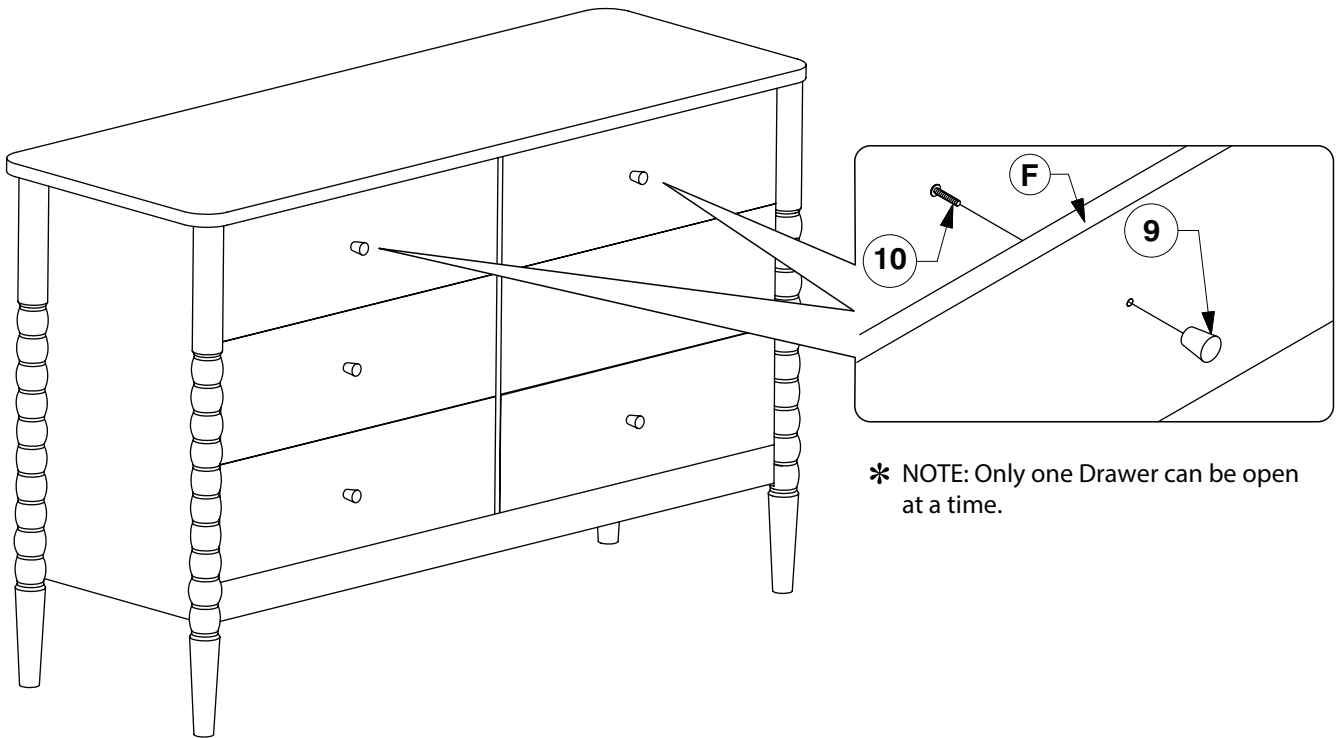
- * NOTE: Only one Drawer can be open
at a time.

9011 6 Drawer Dresser

Assembly Instructions

WI-0924

13 Finally, fit the Handle to the Drawer Face (F).



* NOTE: Only one Drawer can be open at a time.

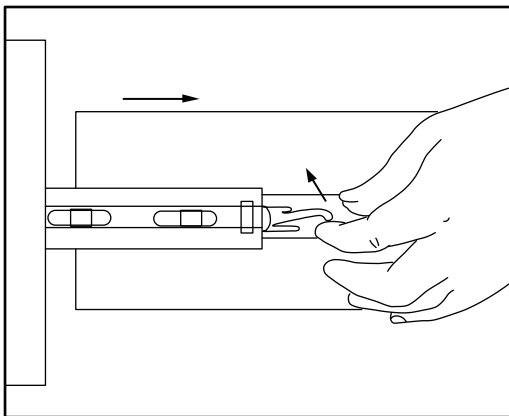
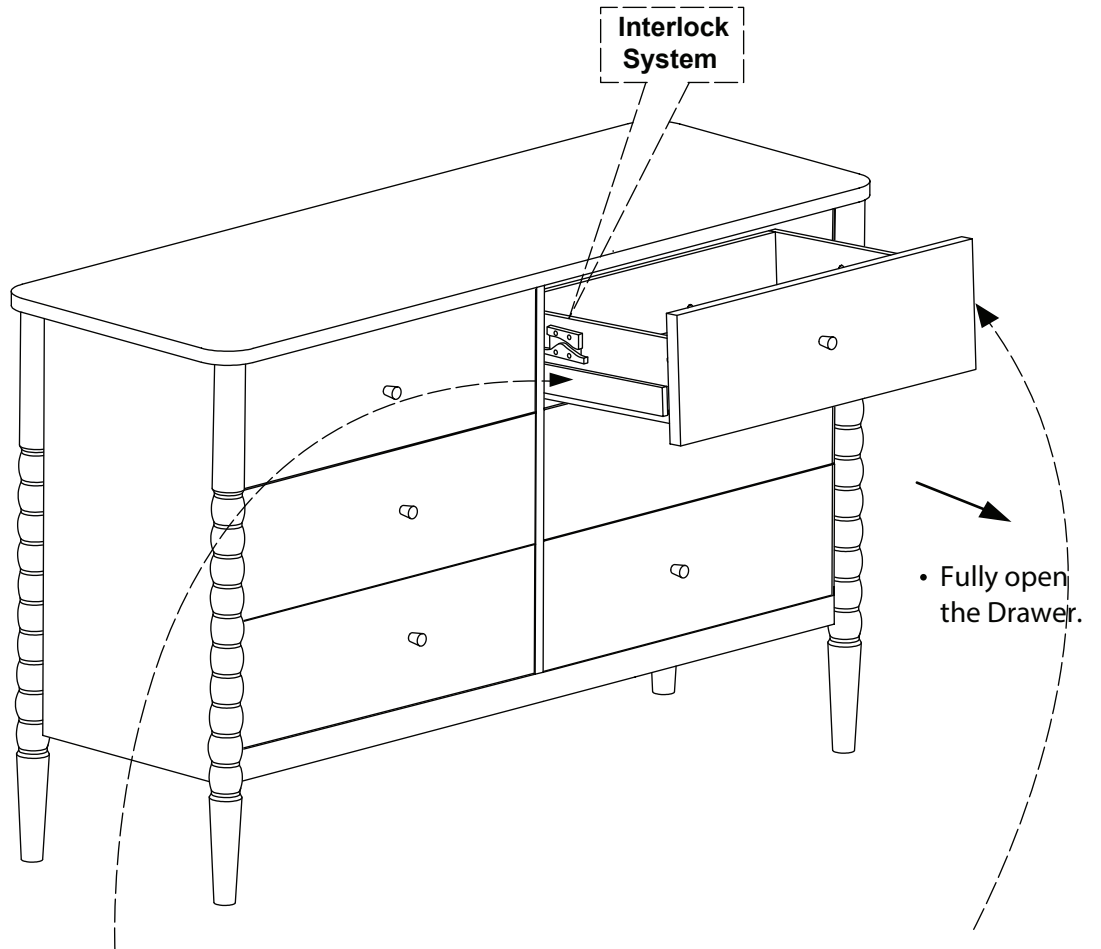
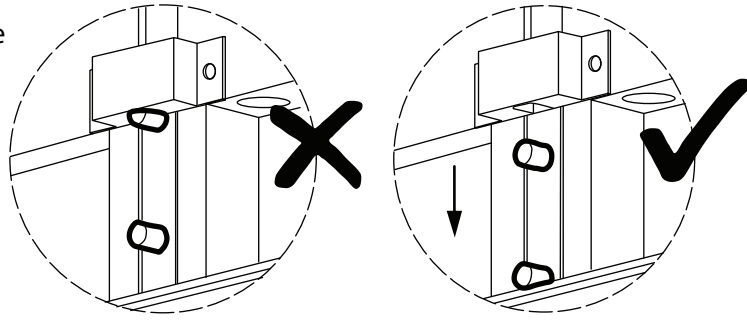
9011 6 Drawer Dresser

Assembly Instructions

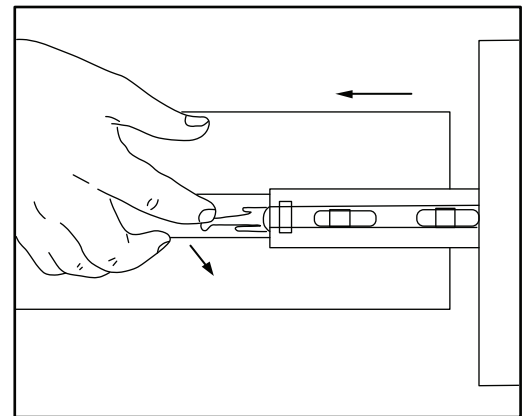
WI-0924

14 Remove the Drawers.

- After removing the top drawer, push the interlock bar **down**. Then remove the lower drawers.



- Lift the **LEFT** side clip **up**.



- Push the **RIGHT** side clip **down**.