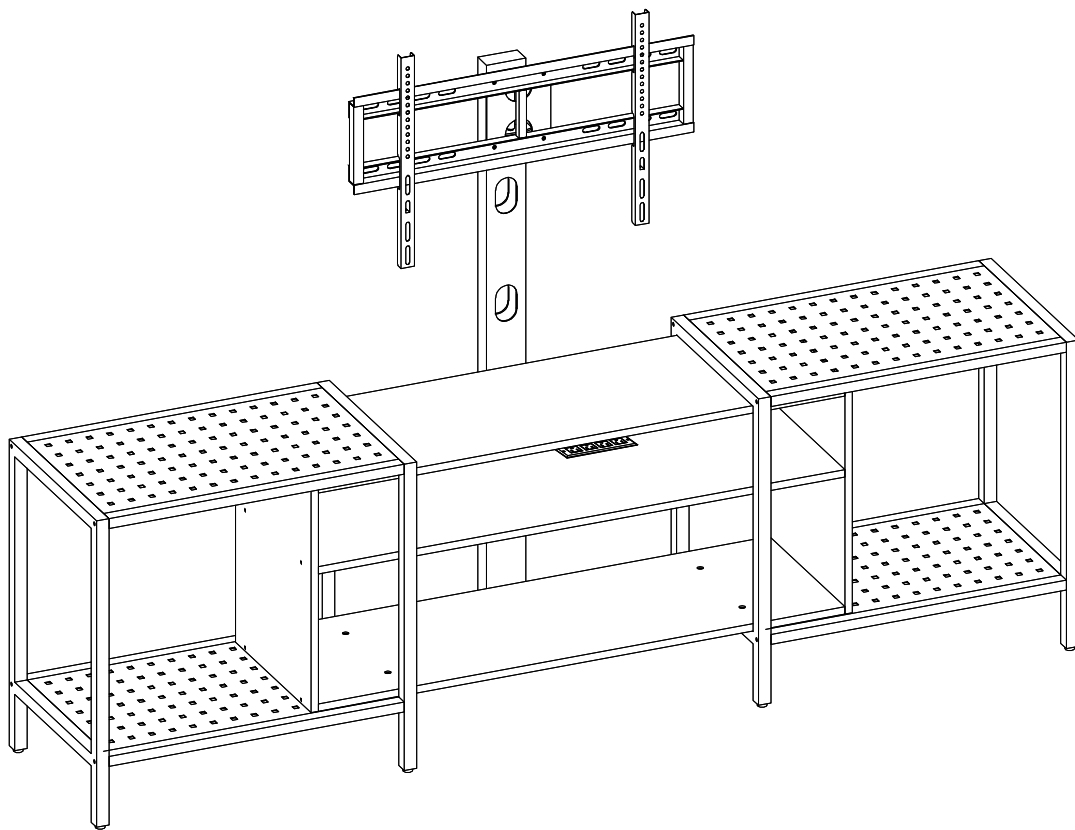
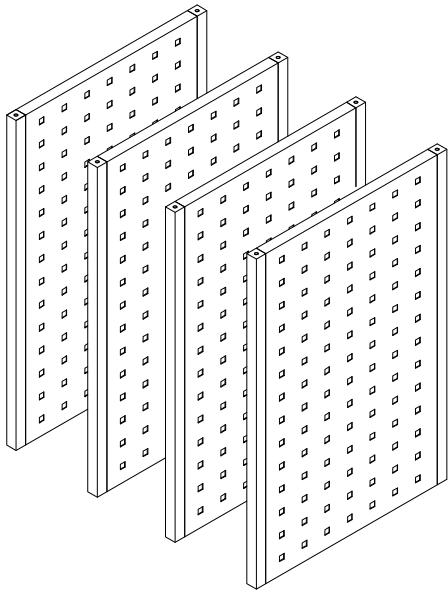


Installation Instruction

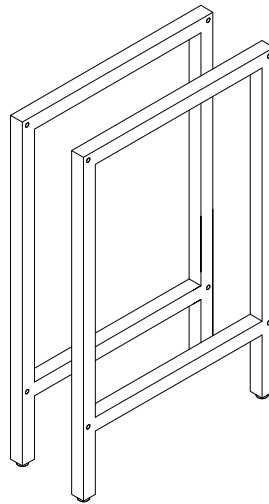
Please don't tighten the screws completely and go back later for a final tightening of all the screws after pieces are aligned with each other.



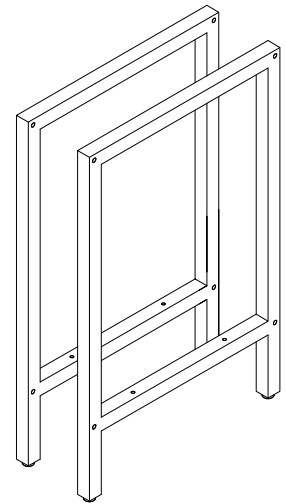
HARDWARE LIST



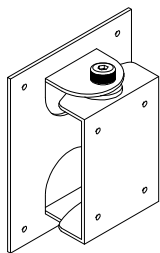
① x4PCS



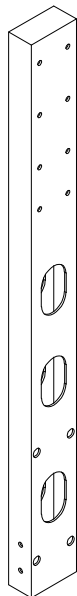
② x2PCS



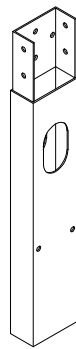
③ x2PCS



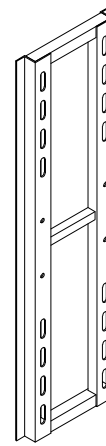
④ x1PC



⑤ x1PC



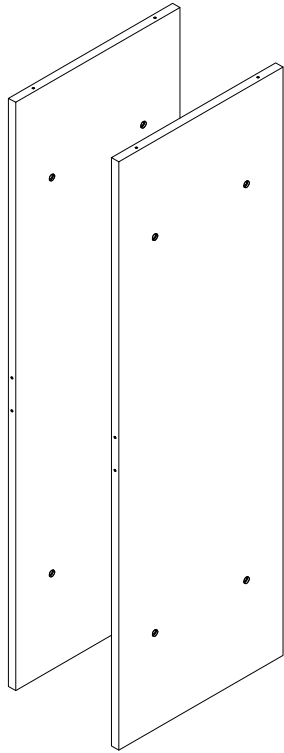
⑥ x1PC



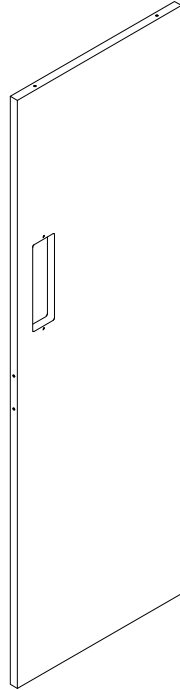
⑦ x1PC



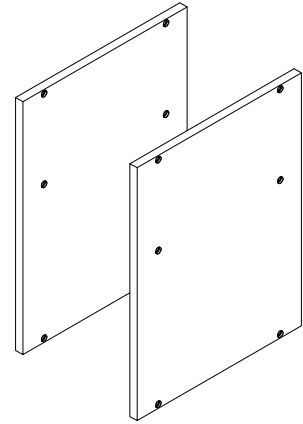
⑧ x2PCS



⑨×2PCS

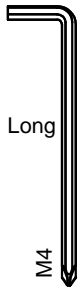


⑩×1PC



⑪×2PCS

PARTS LIST

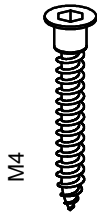


A1

A×1PC



A2



M4

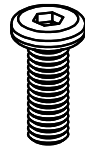
M5x45mm

B×12PCS



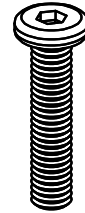
1/4x10mm

C×10PCS



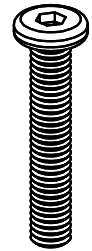
1/4x25mm

D×8PCS



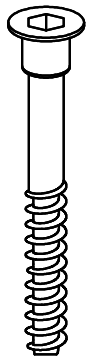
1/4x35mm

E×16PCS



1/4x50mm

F×4PCS



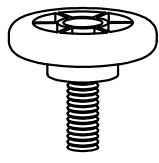
M8x75mm

G×6PCS



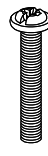
M4x12mm

H×2PCS



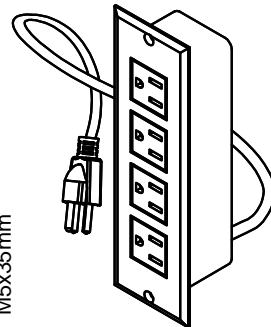
M8xØ20mm

I×10PCS

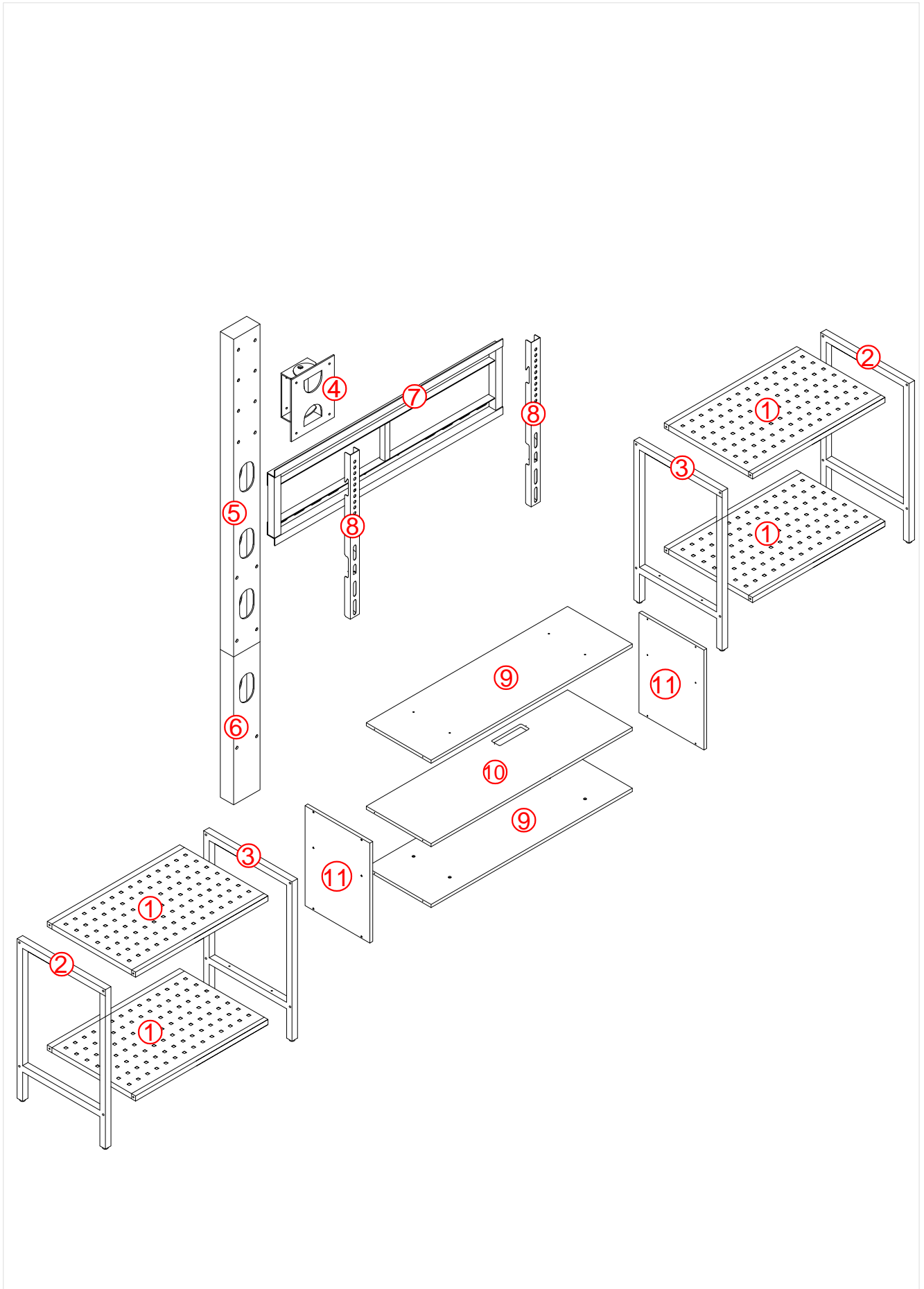


M5x35mm

J×2PCS



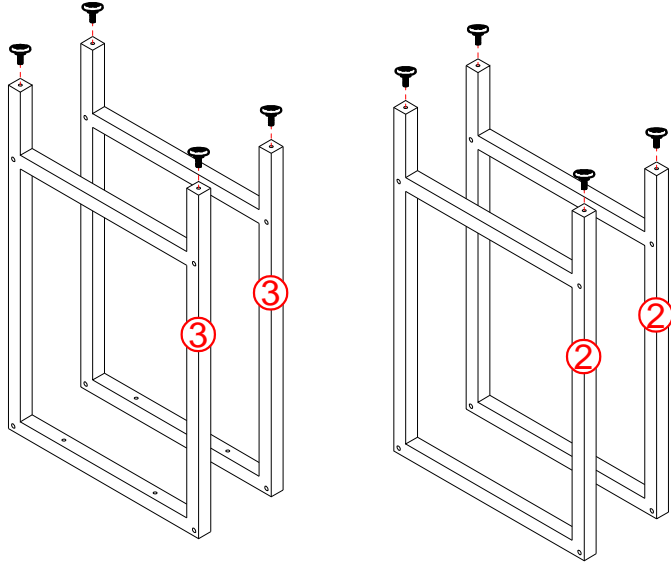
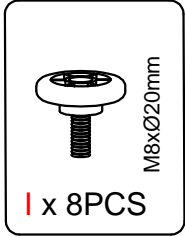
K×1PC



4.

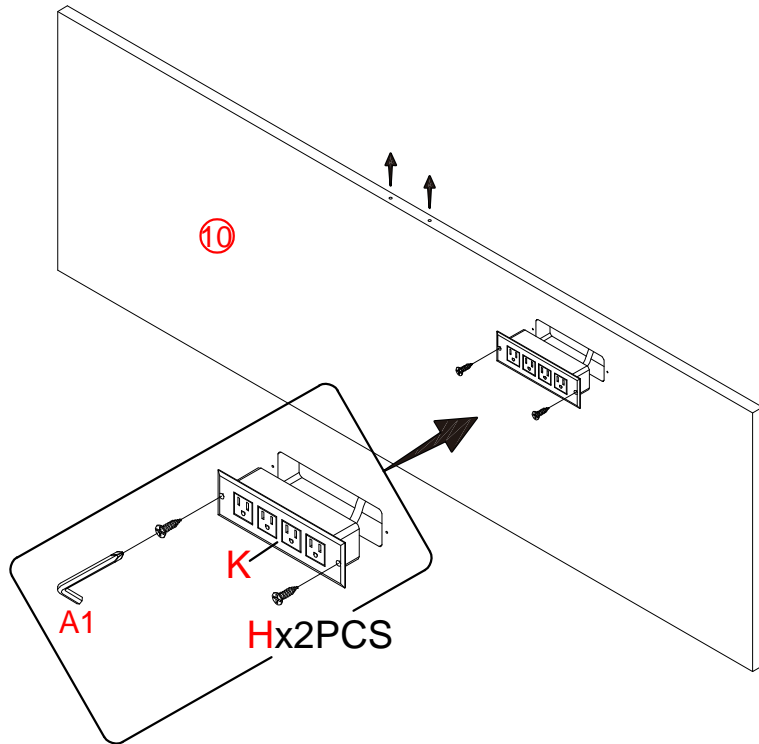
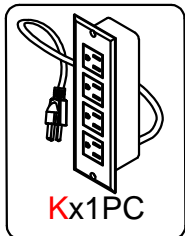
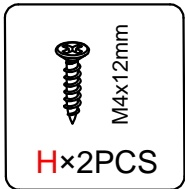
1

② x2PCS
③ x2PCS



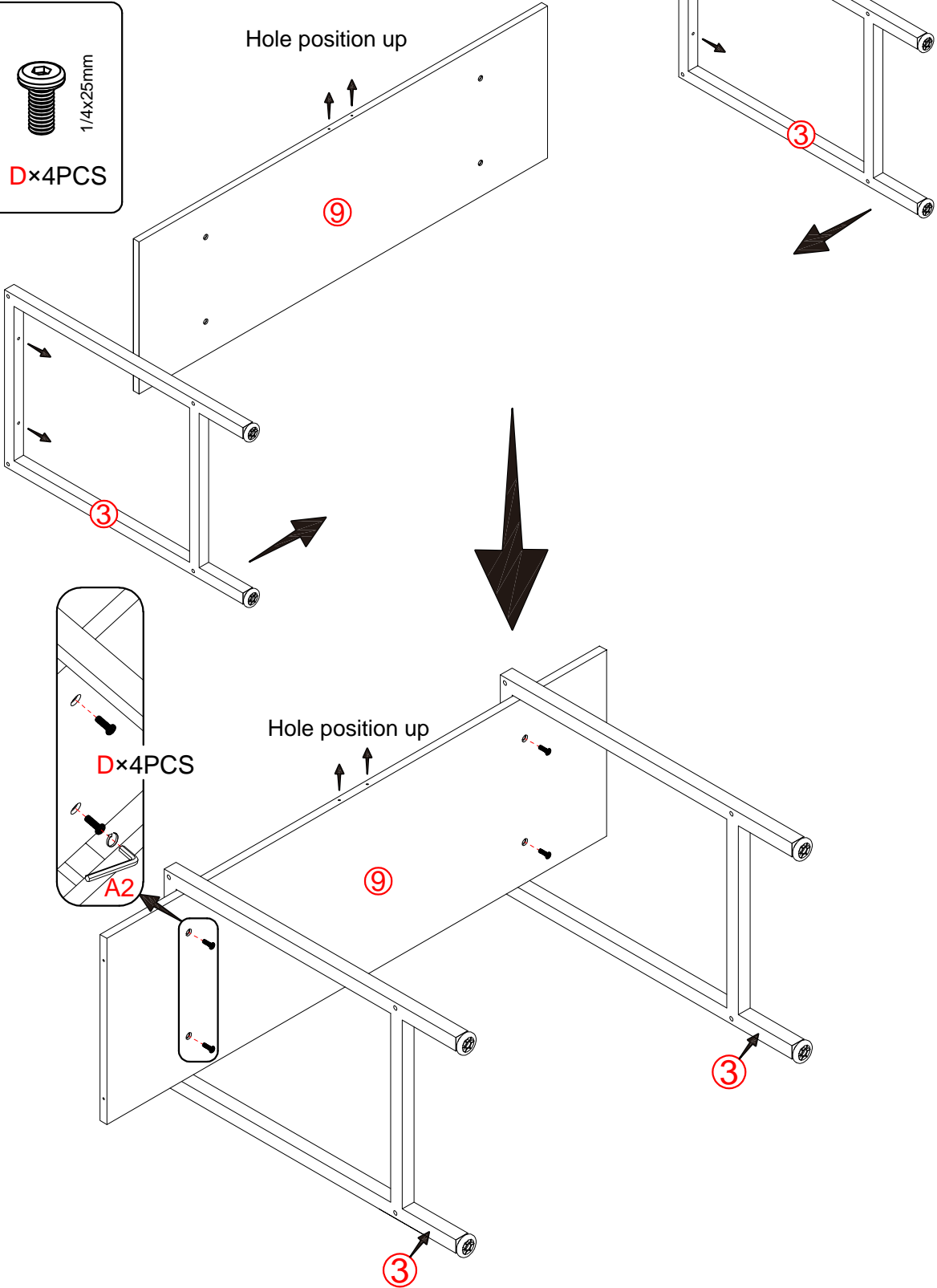
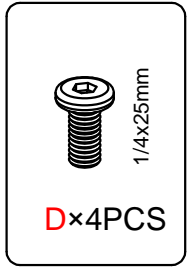
2

⑩ x1PC



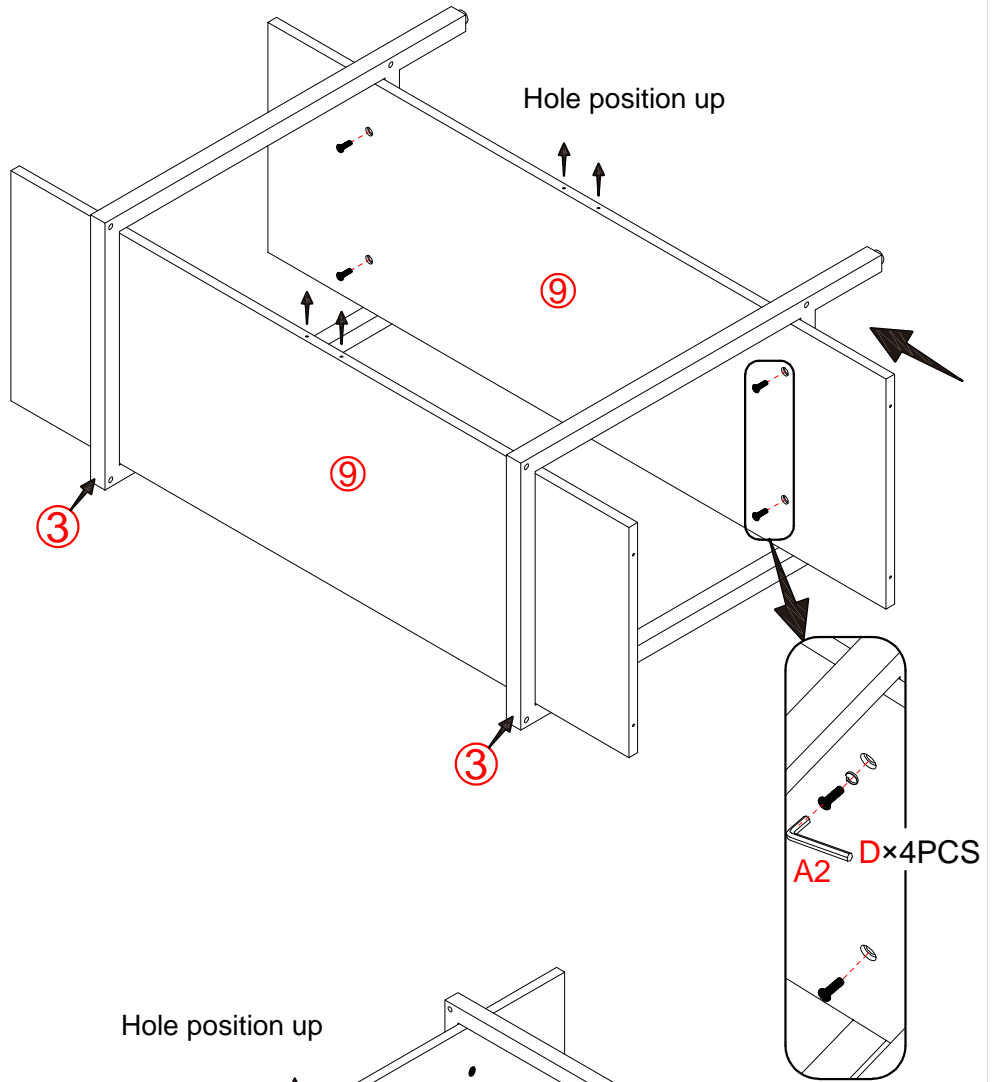
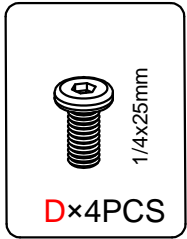
3

- ⑨ × 1PC
- ③ × 2PCS



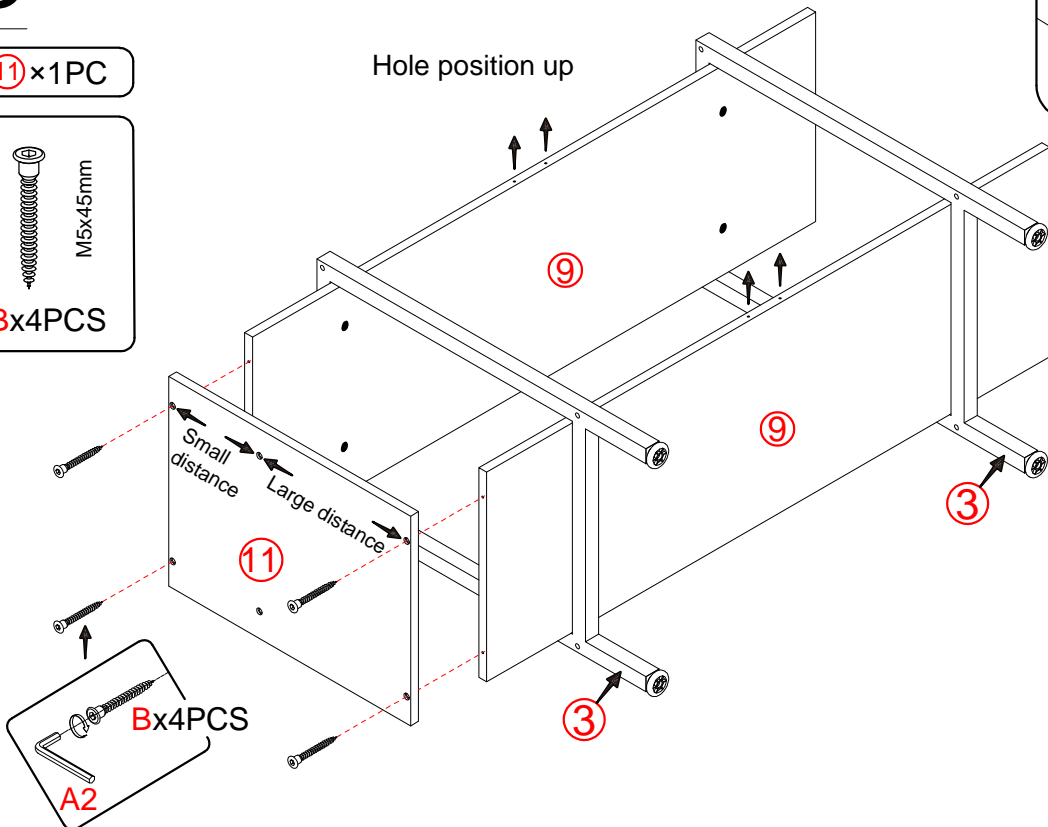
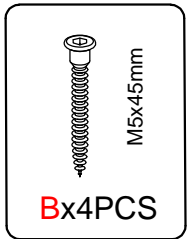
4

⑨ × 1PC



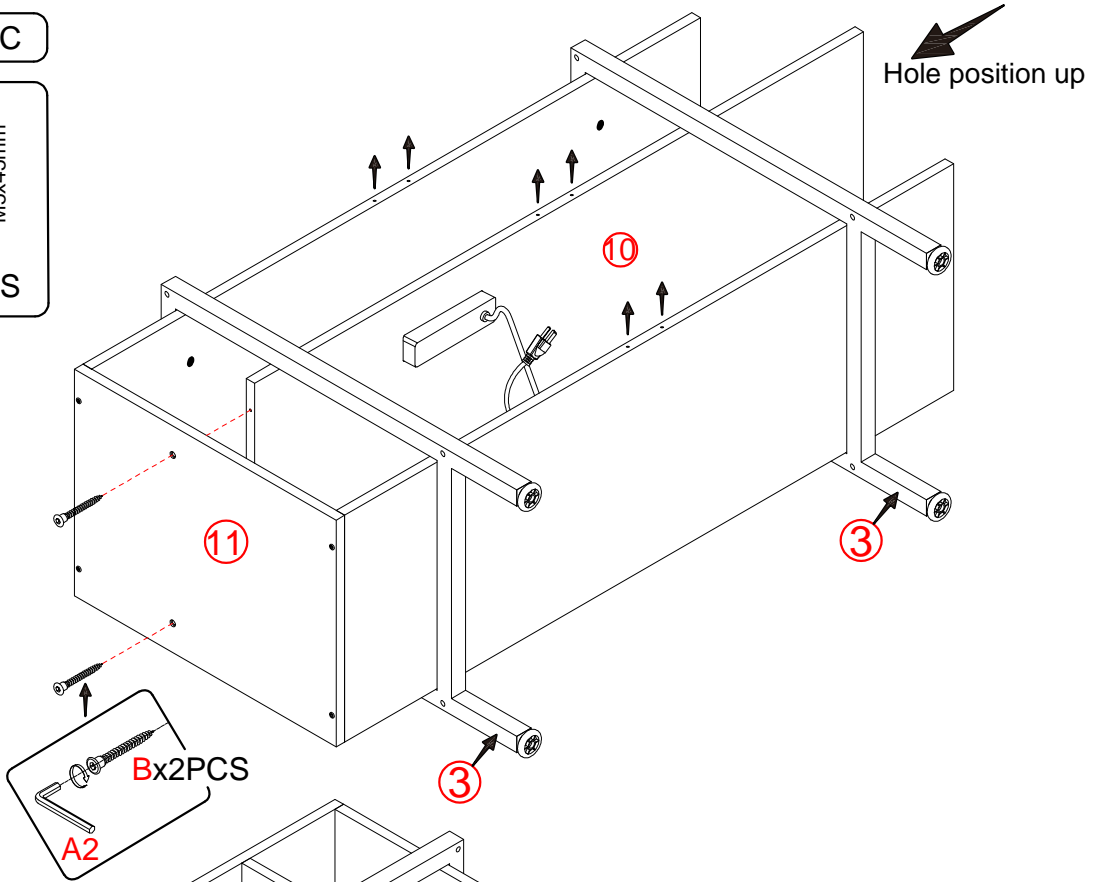
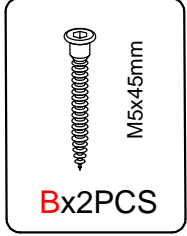
5

⑪ × 1PC



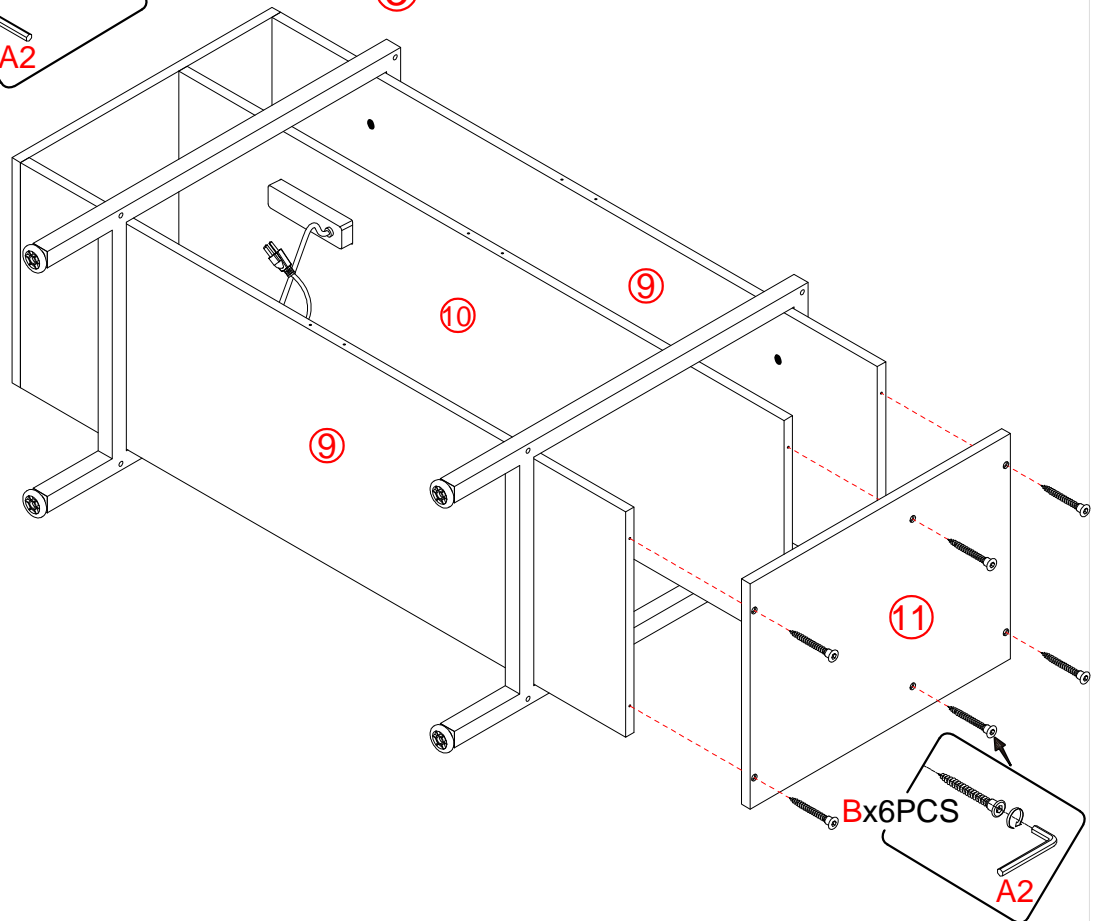
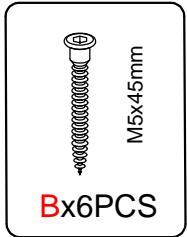
6

⑩×1PC



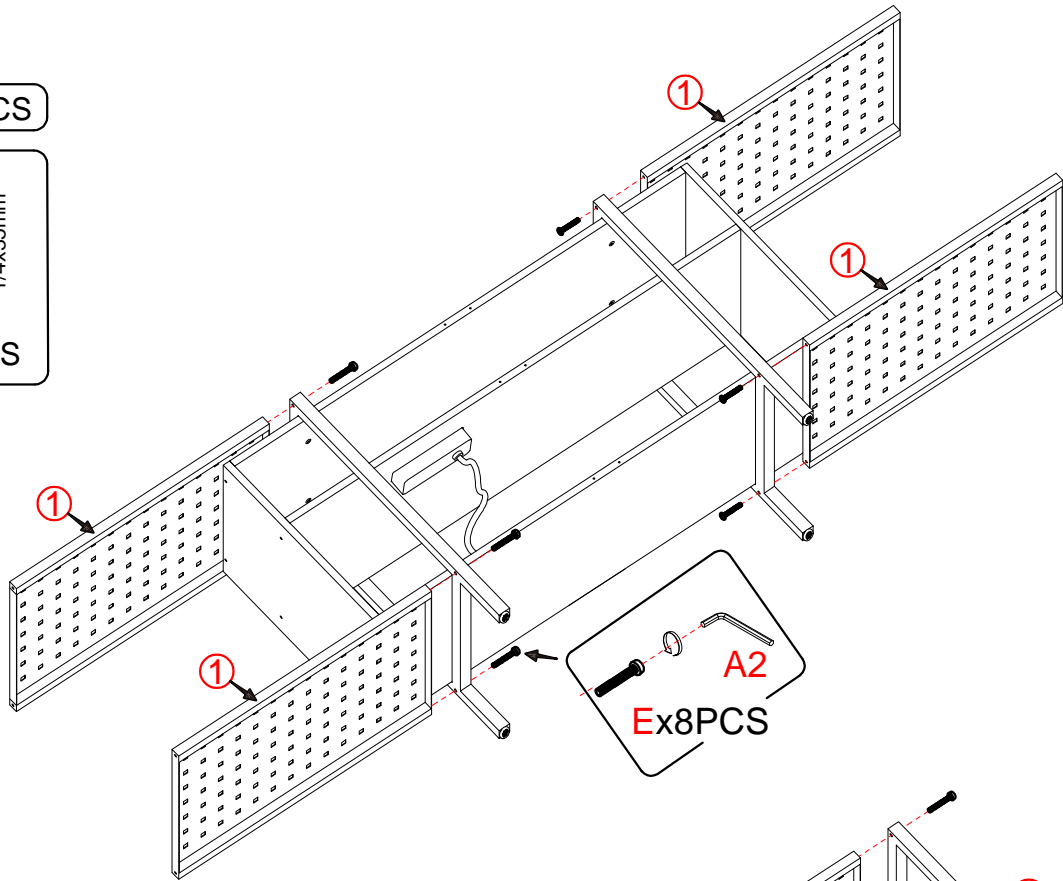
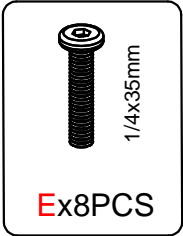
7

⑪×1PC



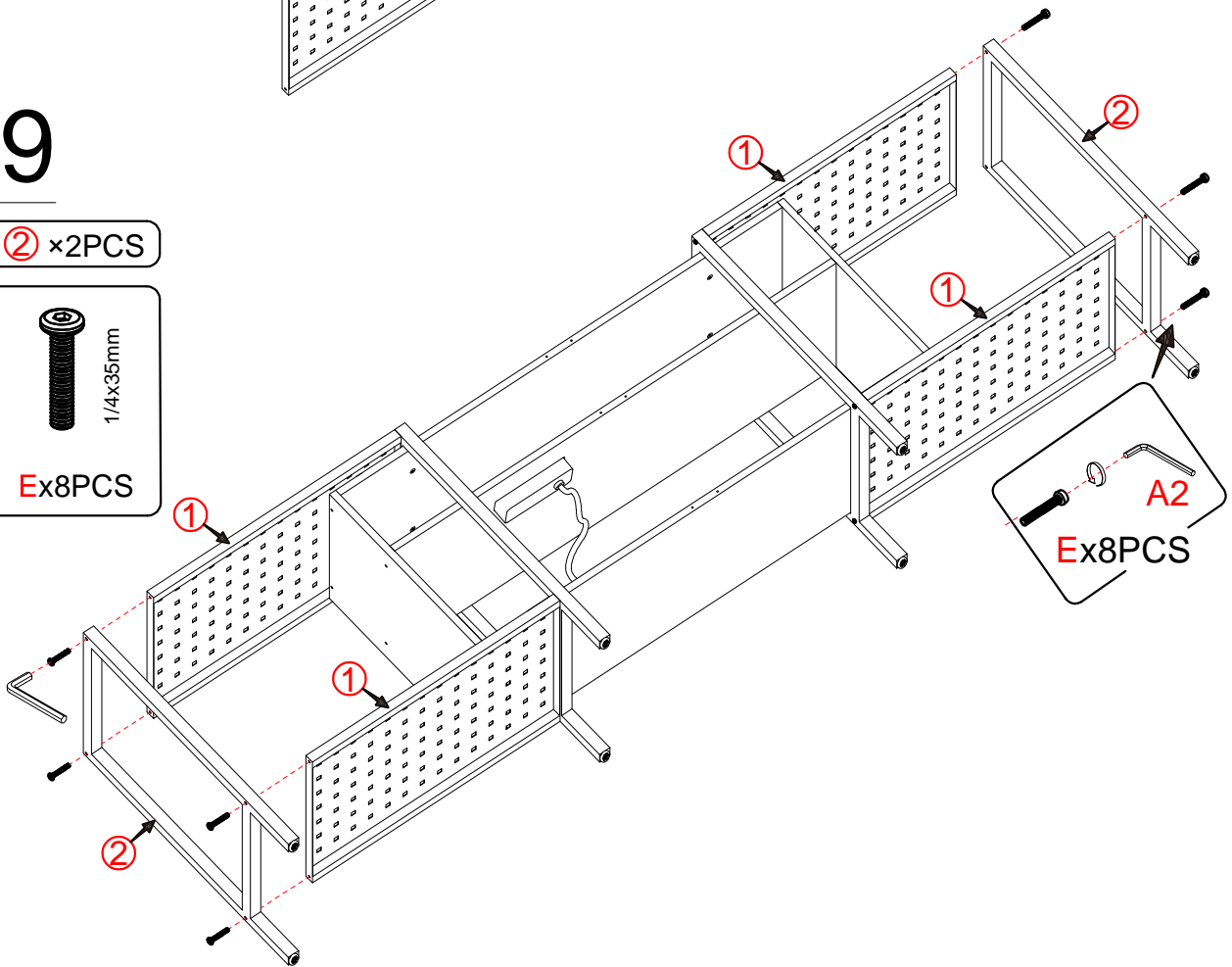
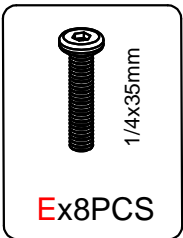
8

① ×4PCS



9

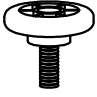
② ×2PCS

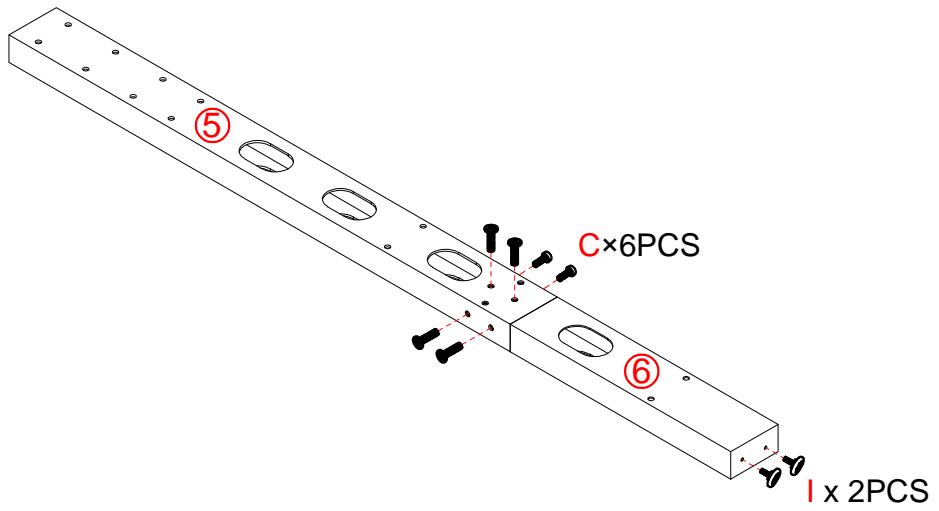
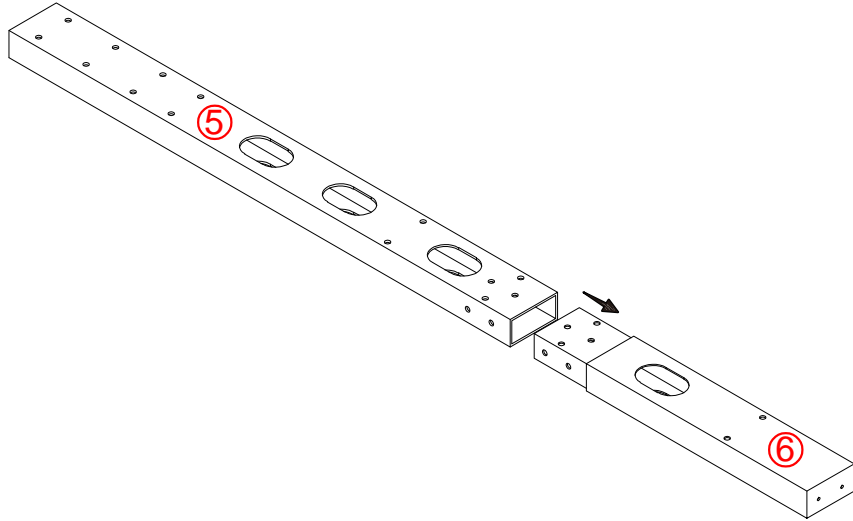


10

⑤ x1PC
⑥ x1PC

 1/4x10mm
C x 6PCS

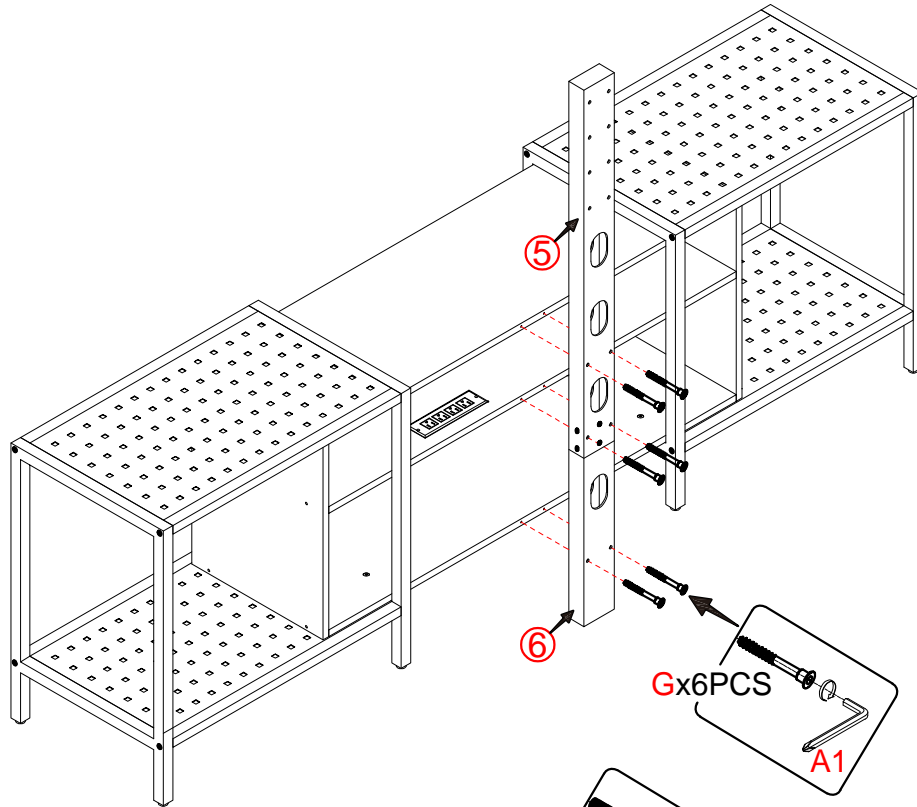
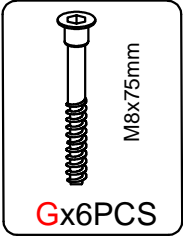
 M8x20mm
I x 2PCS



11

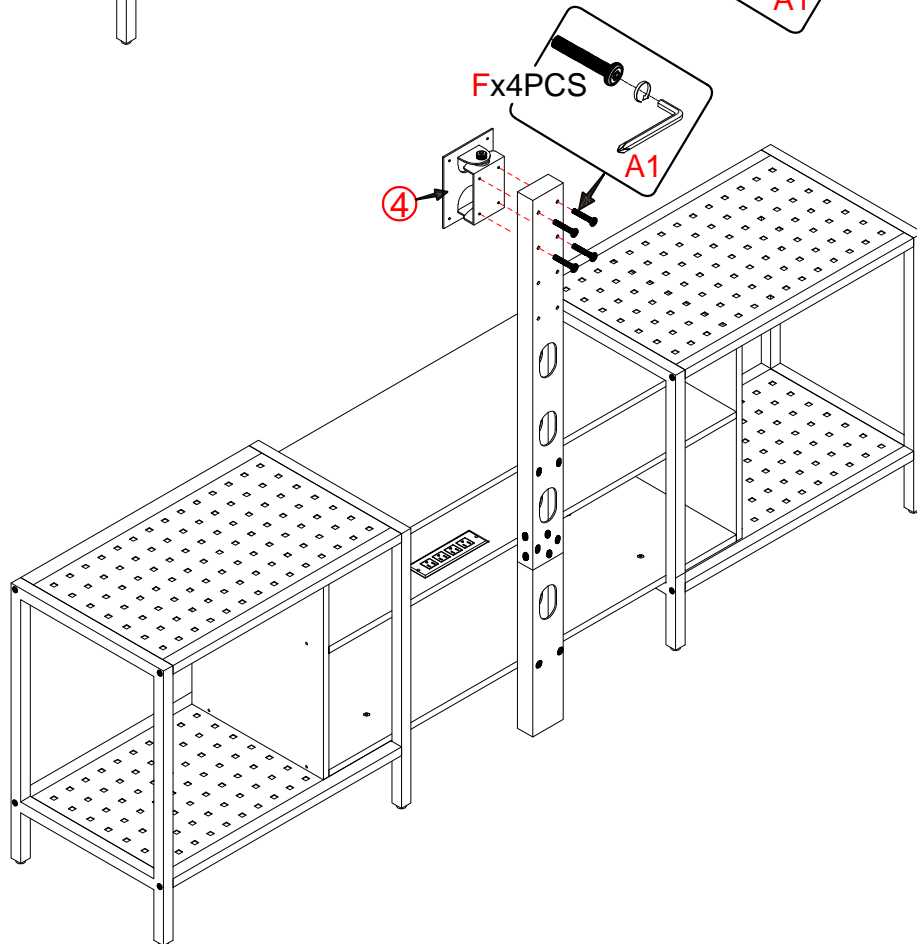
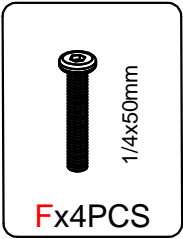
⑤ x1PC

⑥ x1PC



12

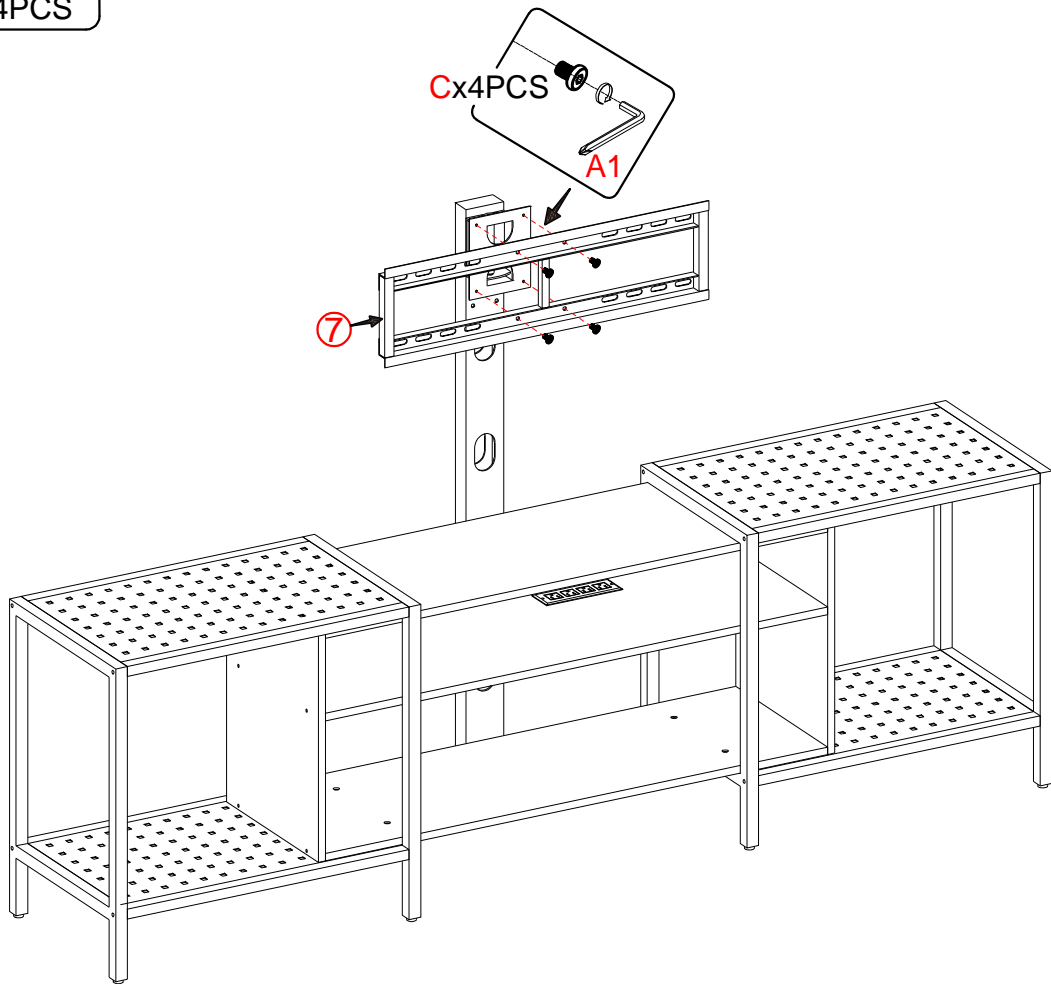
④ x1PC



13

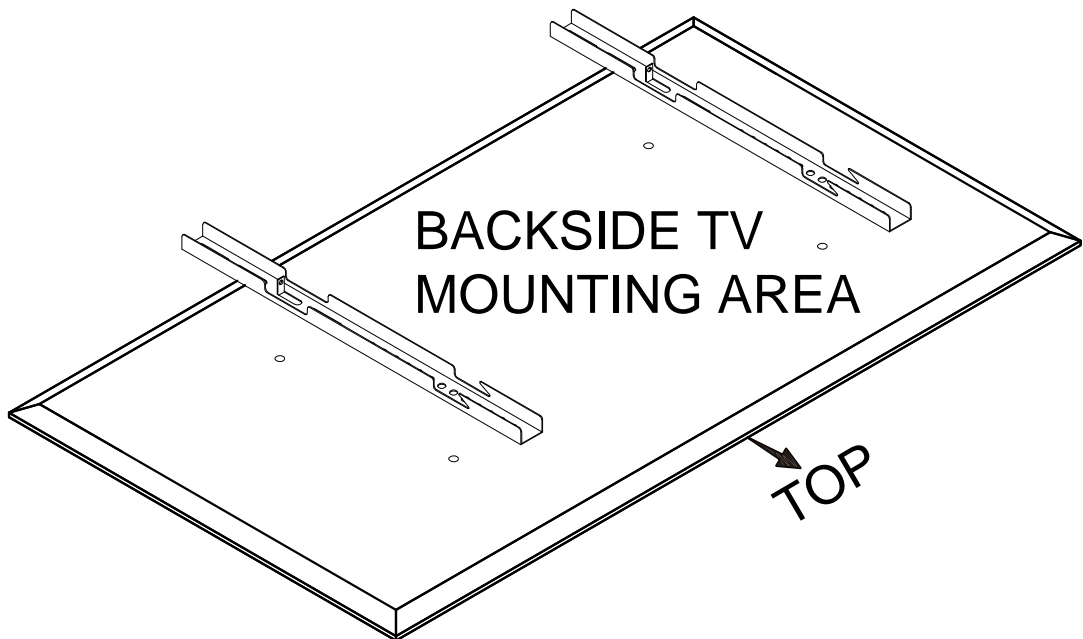
⑦ x1PC

 1/4x10mm
Cx4PCS



14

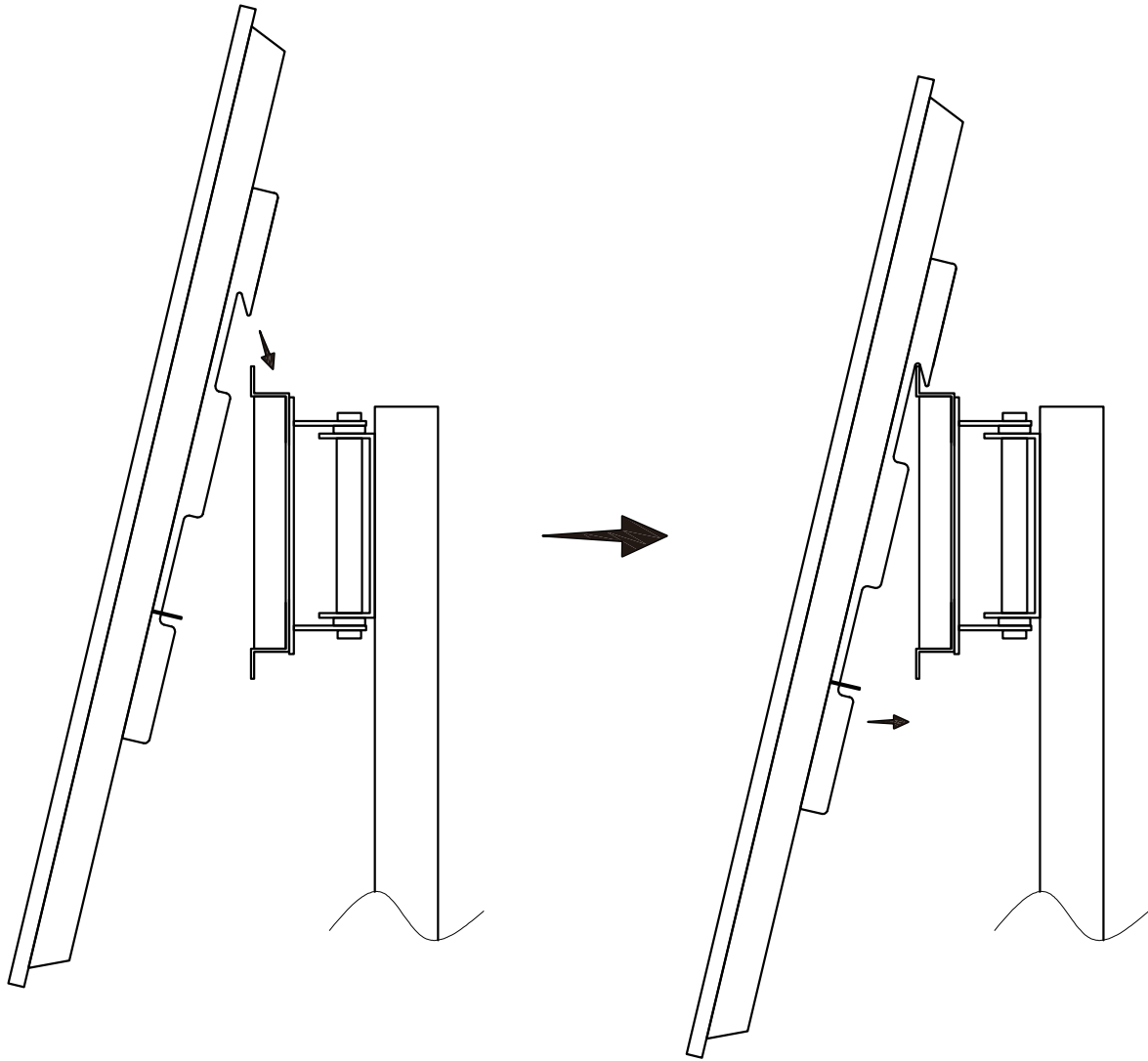
Carefully lay your TV on its face on a non-abrasive surface, making sure to lay padding underneath so as not to damage the screen.



Select the screws and gaskets provided by the TV, Determine the position of the screw fixing hole according to the height you need.

15

NOTE: Follow the steps below to hook the TV to pan



16

