

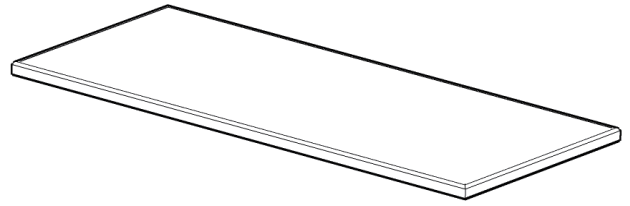
# Granite Top

## IMPORTANT

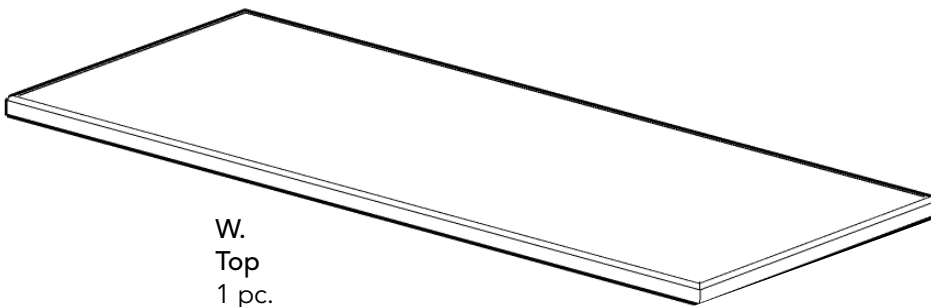
Carefully remove all the parts from the carton and place them individually on a soft cloth to prevent scratches or other damage.

Carefully and strictly follow these assembly instructions to ensure a completed product as designed.

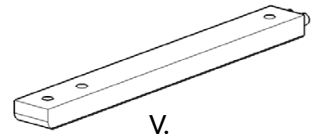
Do not use power tools above 8 volts to assemble.



## Part List

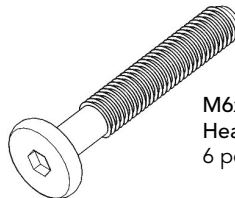


W.  
Top  
1 pc.



V.  
Support  
2 pcs.

## Hardware List



M6x30  
Head Cap Bolt (middle)  
6 pcs. (+1 extra)

## Care Instructions

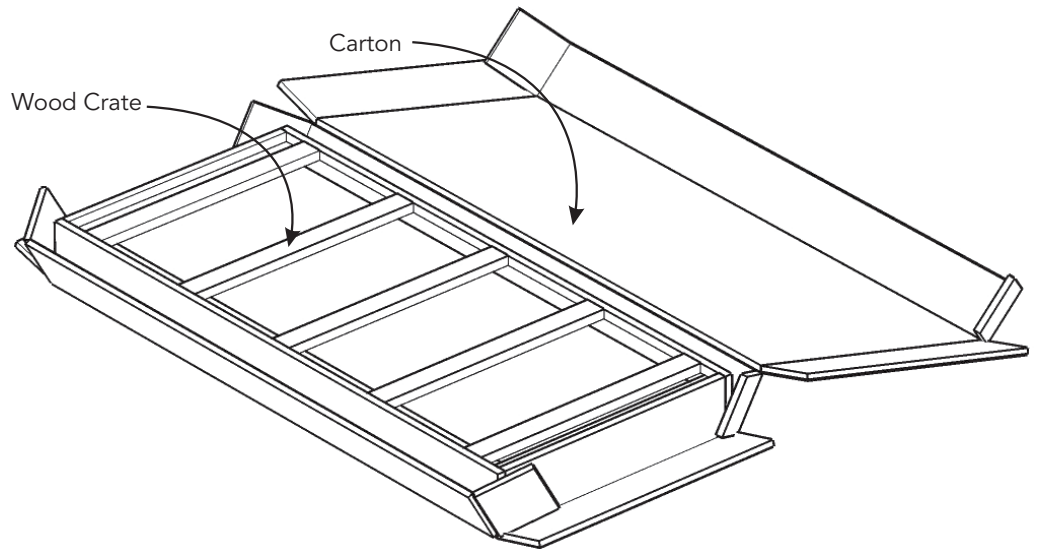
Granite is a natural stone material with naturally occurring fissures and cavities. A sealer has been applied to the granite to reduce the absorption of liquids. Even with sealer applied, liquids can absorb into the granite causing permanent stains. Never allow liquids to remain on the top. A stone sealer can be reapplied periodically to the granite to reduce the absorption of liquids.

For assembly see instructions in Cart carton.

# Unpacking Instructions

## STEP 1

Open carton.



## STEP 2

Use a hammer to remove wood supports.  
(See Figure 1)

Note: Do not hit top with hammer.

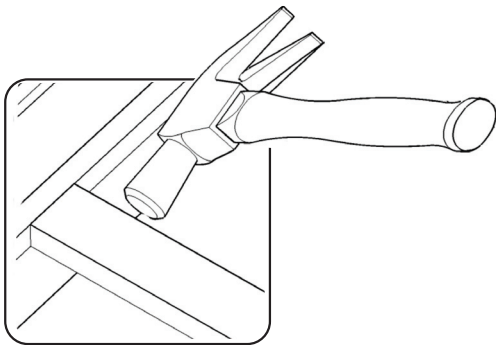
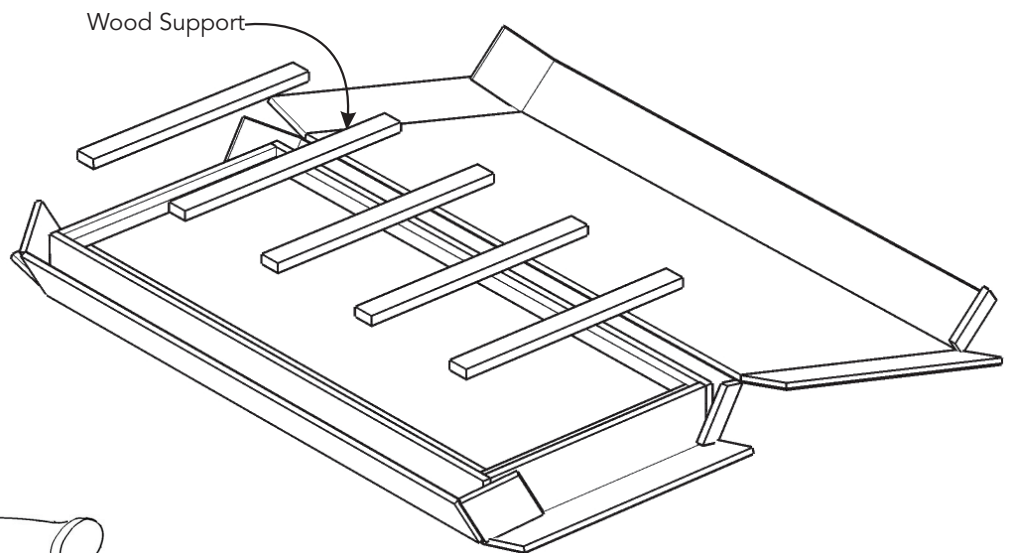
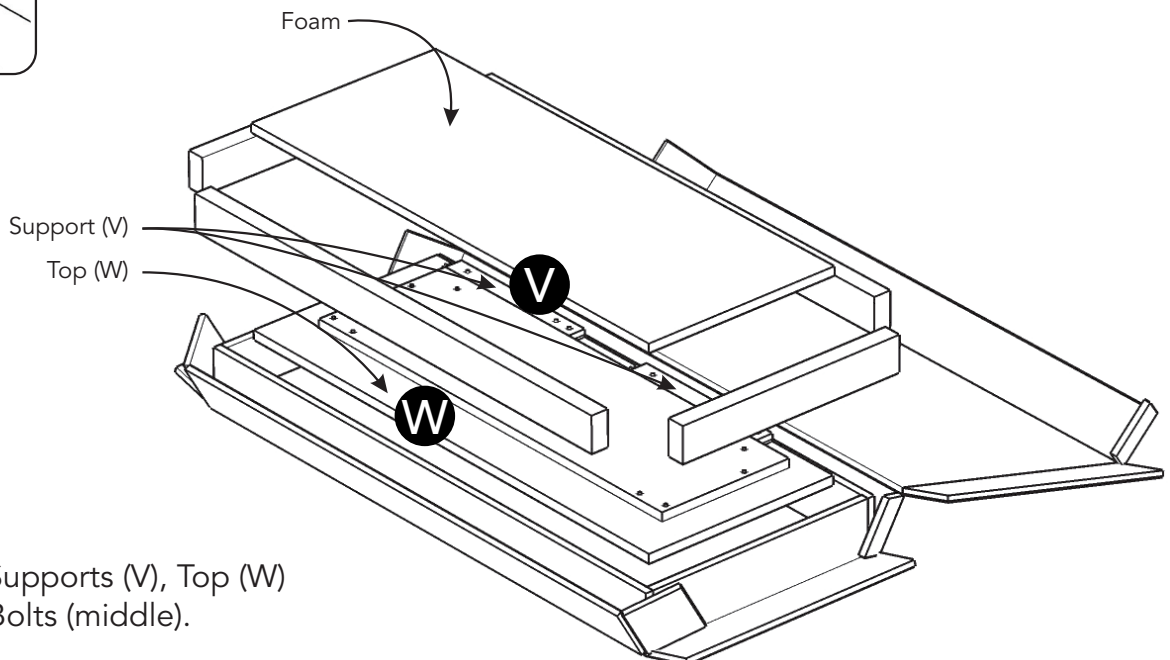


Figure 1



## STEP 3

Remove foam, Supports (V), Top (W)  
and Head Cap Bolts (middle).