

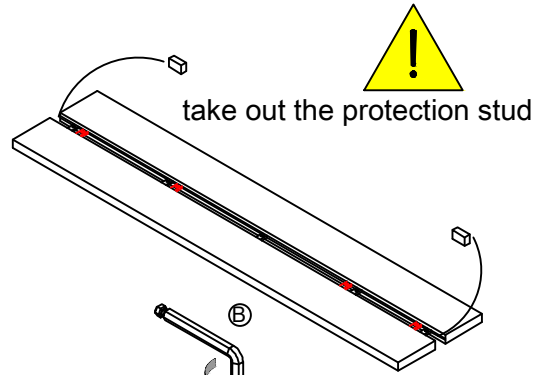
ASSEMBLING INSTRUCTION



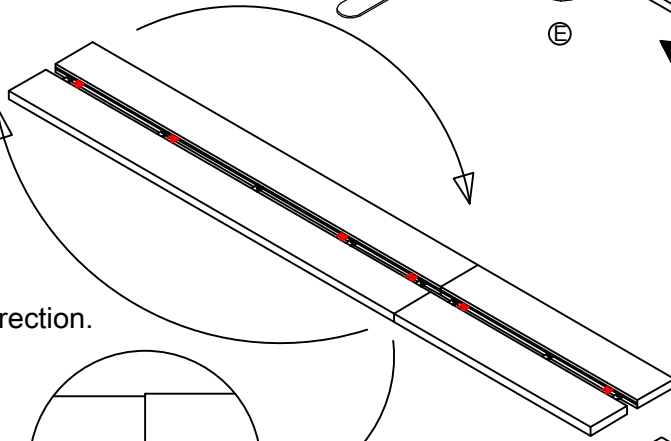
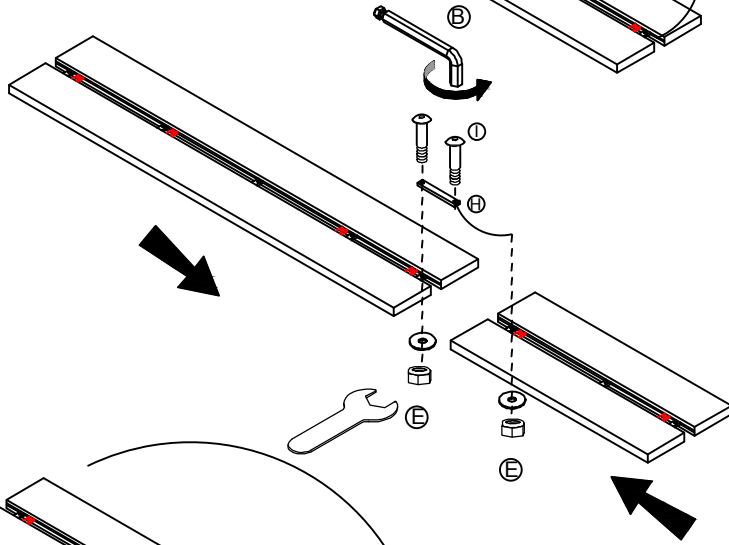
This bookshelf is a modular design

STEP 1

Attach 2 panels together via metal tube through panel metal slat hole, the metal tube can be on the metal slat.



take out the protection stud



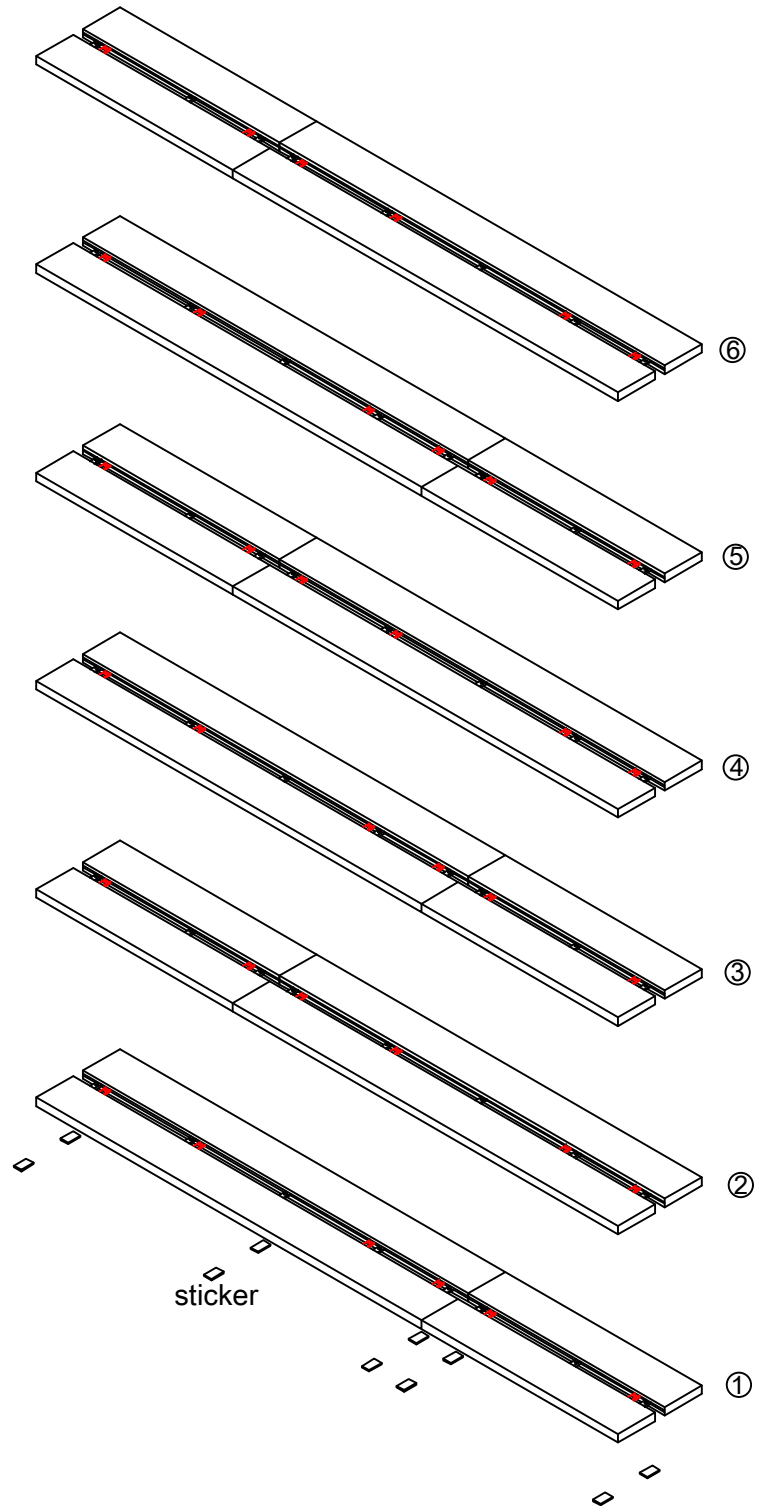
please turn the panel direction.



If the gap not alined be happen.

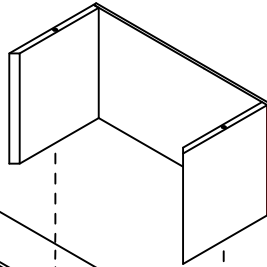
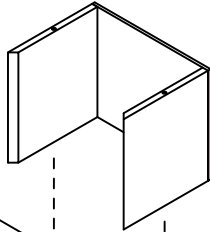
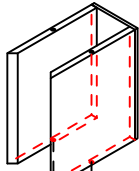
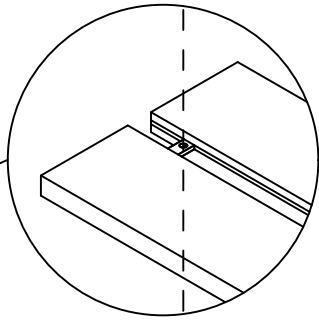


attach sticker under the board





This is connect panel fix metal slat, which also can be attached cubby.



STEP 2

Put the L metal slat inside bottom panel gap, and turn it as 90 degree

STEP 3

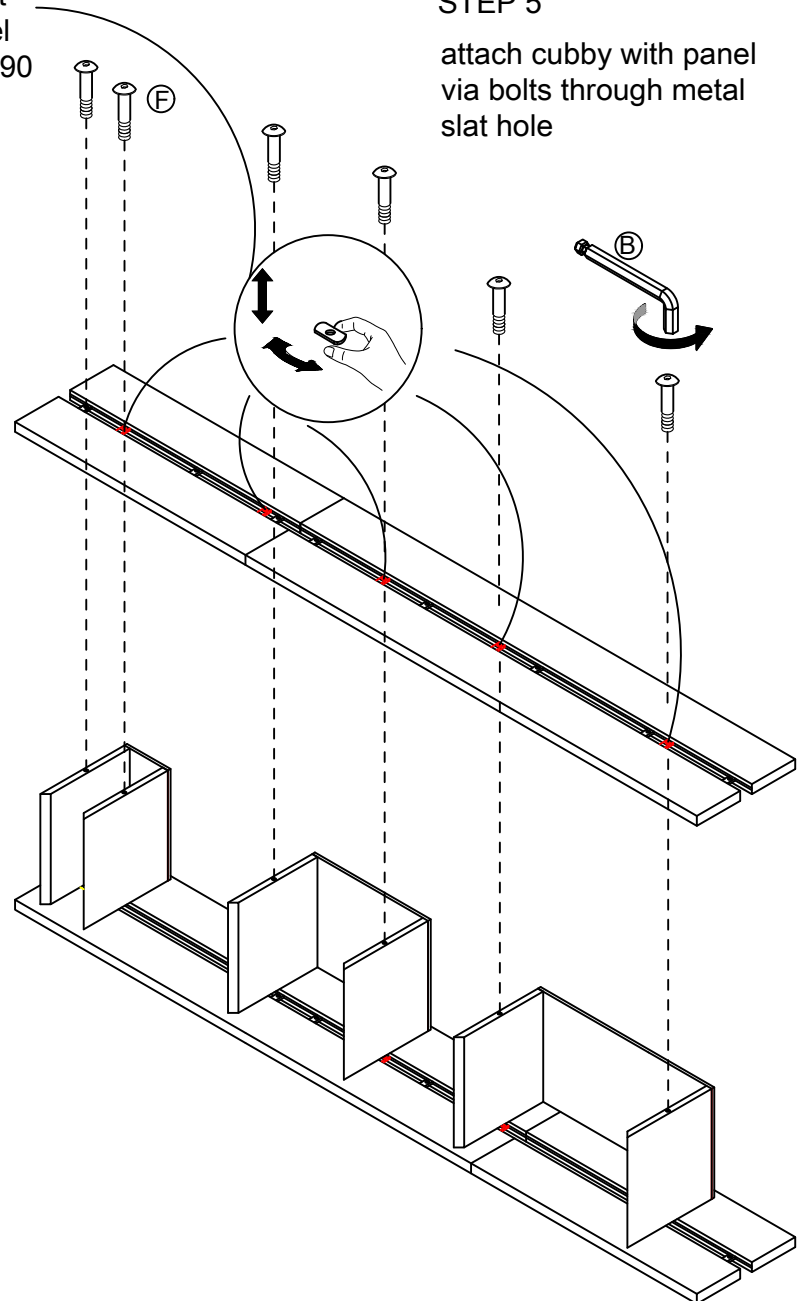
Put the divider panel on bottom panel, attach together through metal slat hole

STEP 4

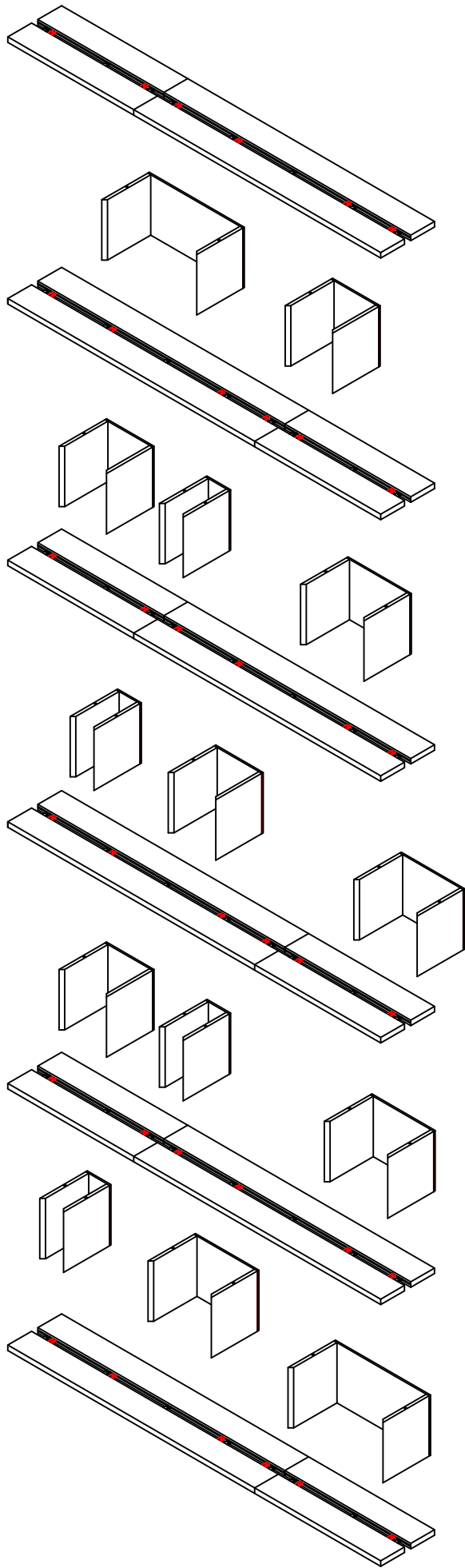
Put the L metal slat inside bottom panel gap, and turn it as 90 degree

STEP 5

attach cubby with panel via bolts through metal slat hole

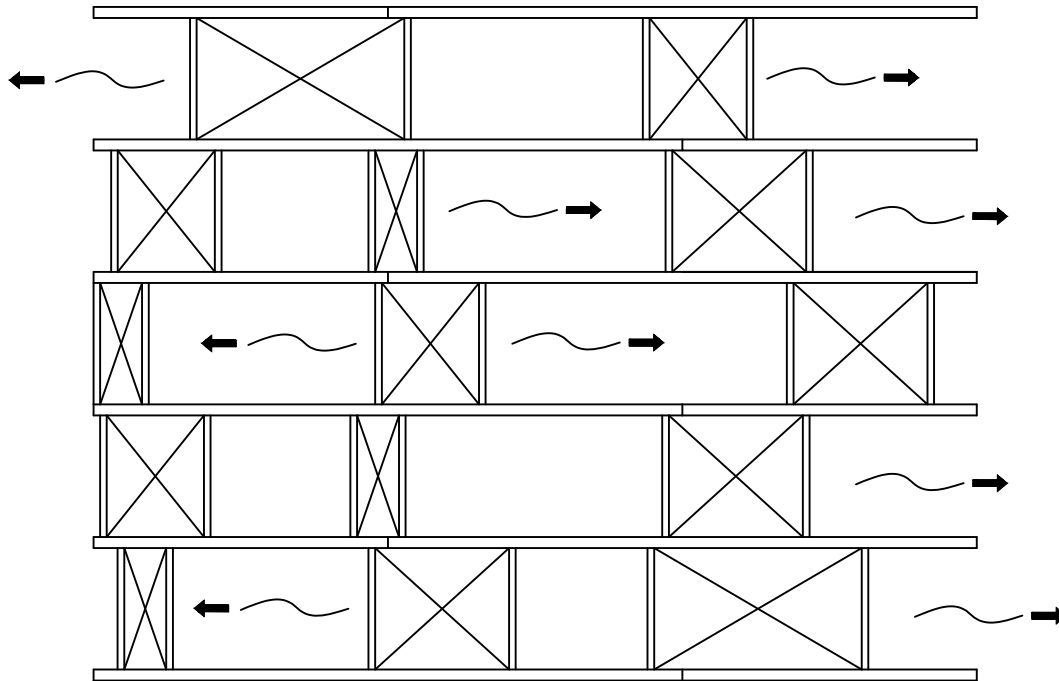


Please repeat
steps of 2,3,4,5 till
be finished the
whole assembling





For every tiers, the whole cubby can be moved according to what space your need between cubbies



If shelves be loading more heavy items, we strong recommend you set the cubby in the middle of two panels joint place

