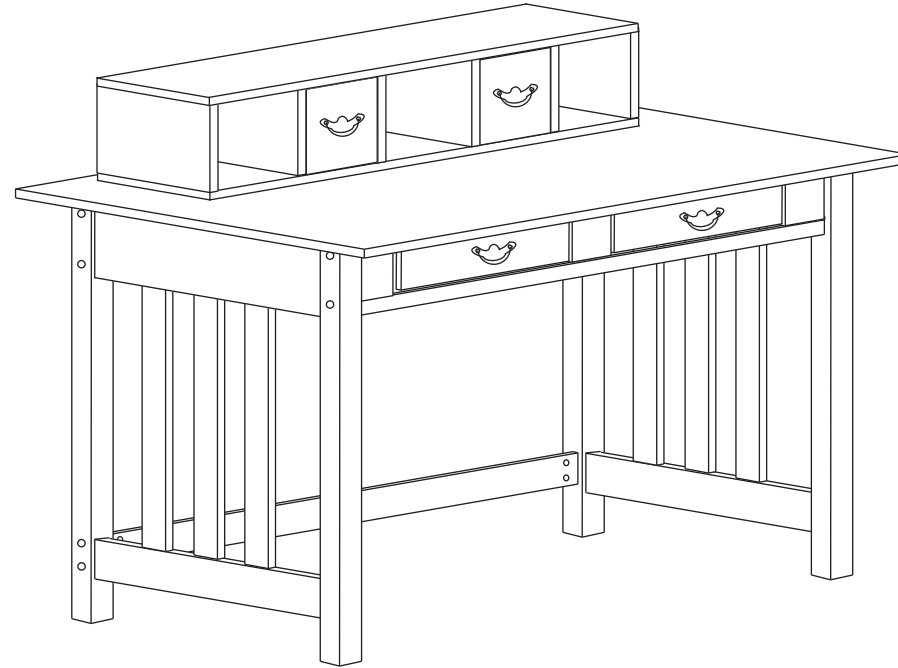







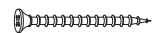








ASSEMBLY INSTRUCTIONS



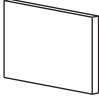
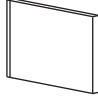
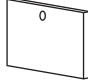

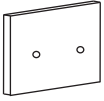
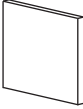
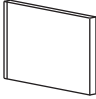
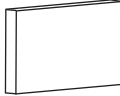

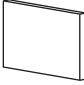


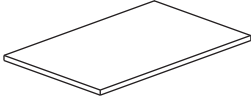
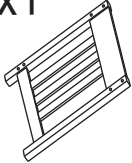
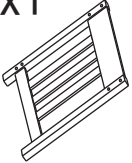
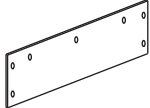
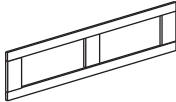
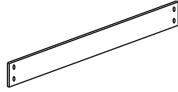
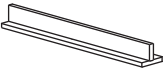





Hardware List

1	16pcs	2	16pcs	3	18pcs	4	12pcs	5	4pcs	6	12pcs	7	12pcs
					5. 8x30mm		4x30mm				M6x65mm		
8	6pcs	9	32pcs	10	2pcs	11	6pcs	12	8pcs	13	6pcs	14	12pcs
	4x45mm		3x25mm				3*12mm		2. 5x12mm		8x30mm		

ASSEMBLY INSTRUCTIONS

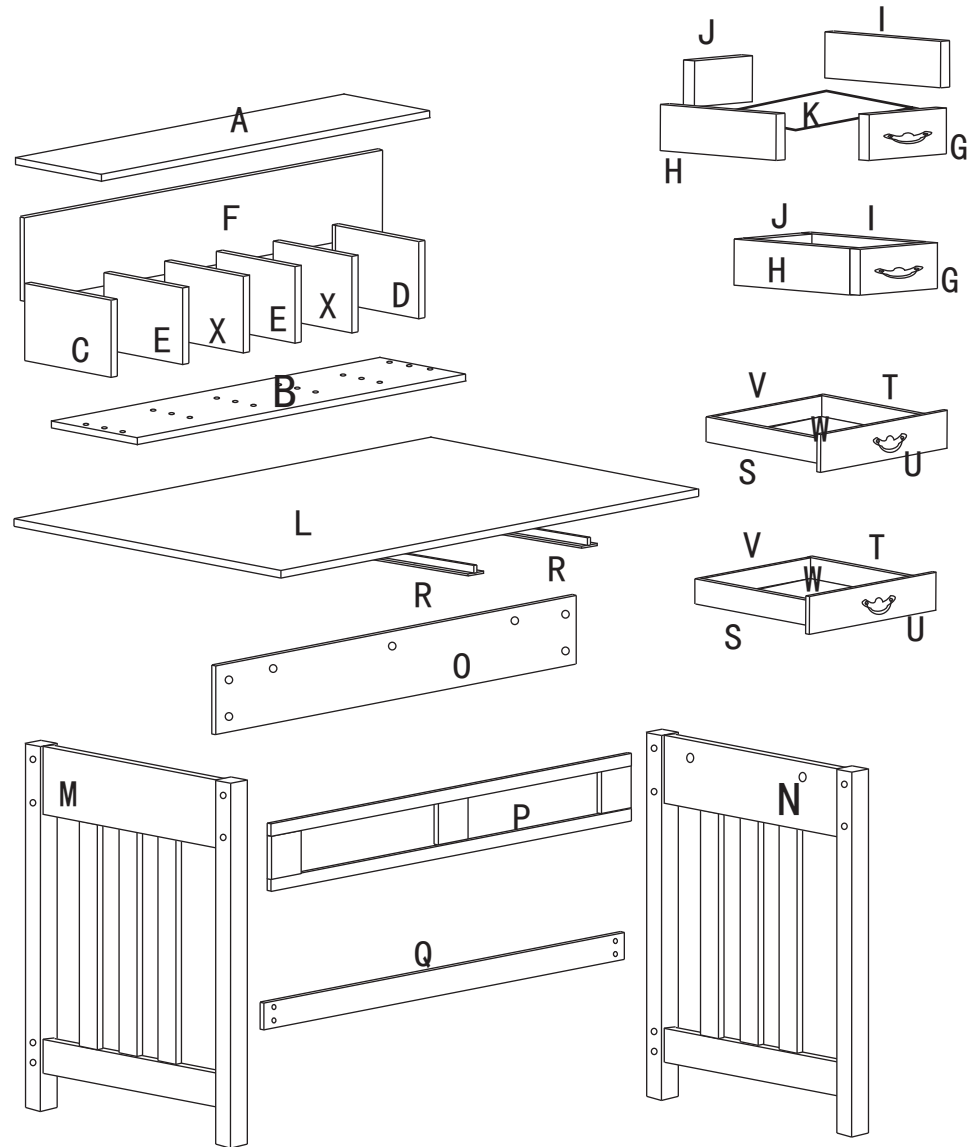
Parts list

A x1 	B x1 	C x1 	D x1 	E x2 	F x1 
G x1 	H x2 	I x2 	J x2 	K x2 	X x2 

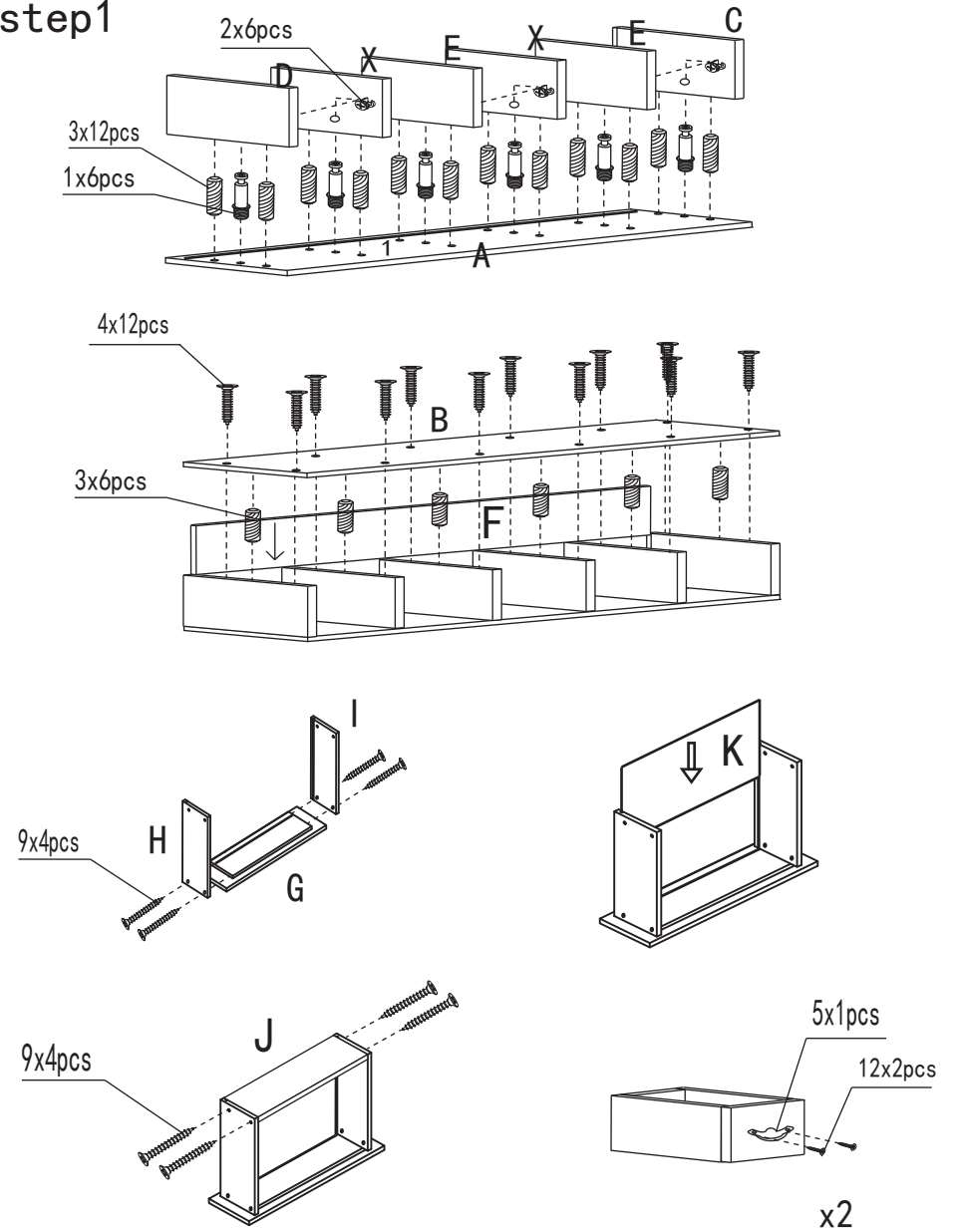
L x1 	M x1 	N x1 	O x1 	P x1 	Q x1 
R x2 	S x2 	T x2 	U x2 	V x2 	W x2 

ASSEMBLY INSTRUCTIONS

Parts overview

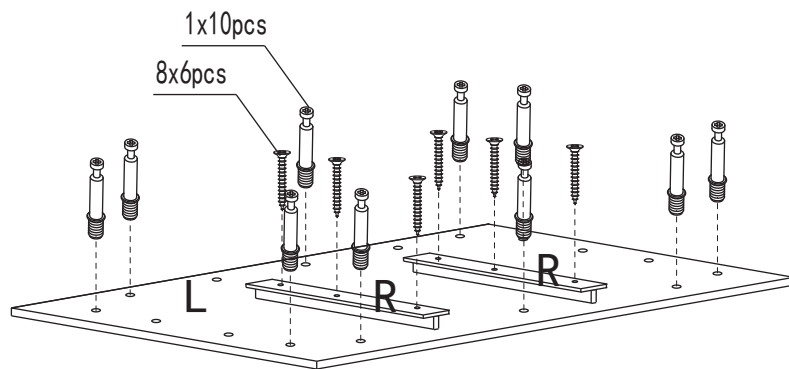
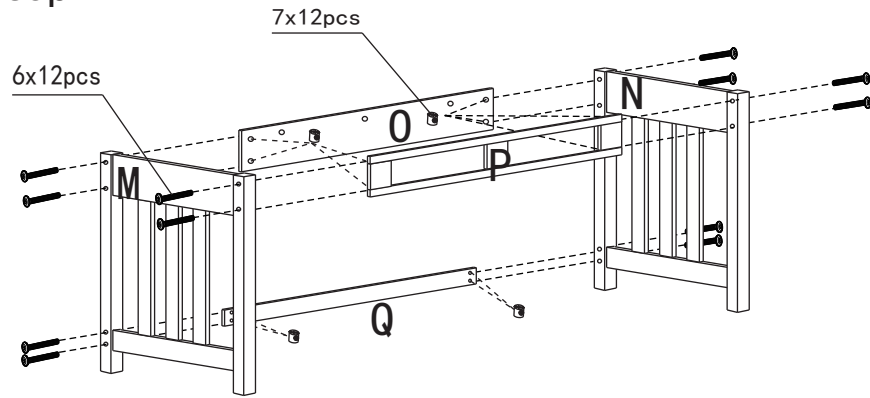


step1

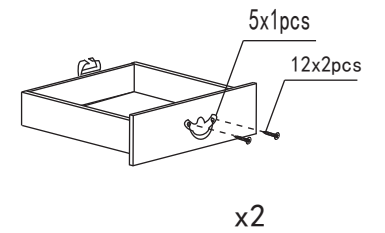
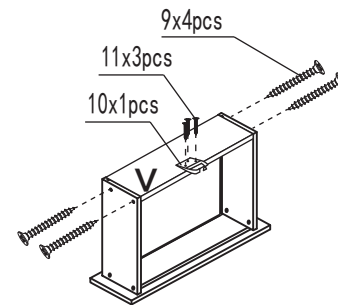
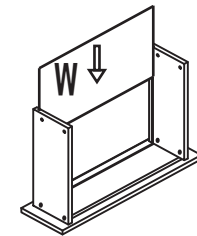
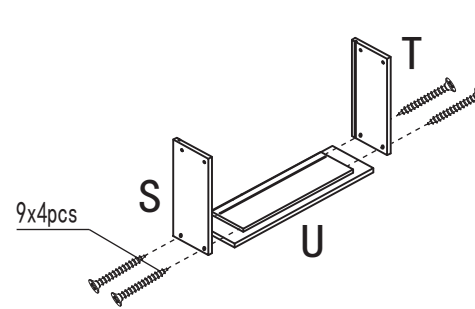
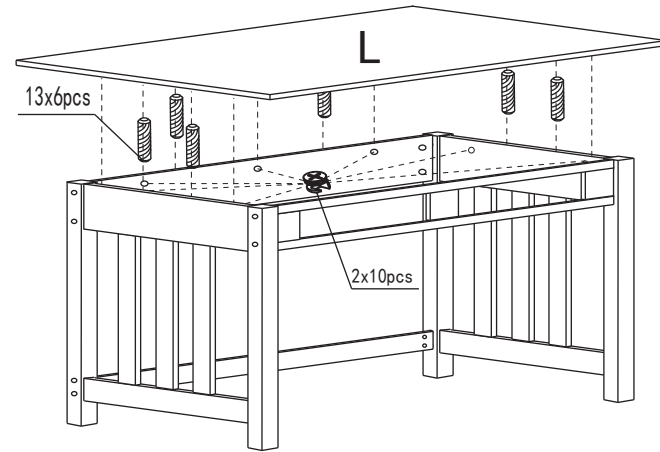


ASSEMBLY INSTRUCTIONS

step2

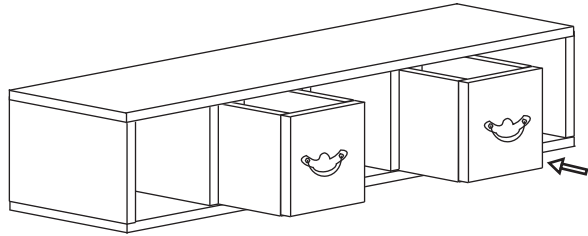


step3



ASSEMBLY INSTRUCTIONS

step4



14 x12 pcs

