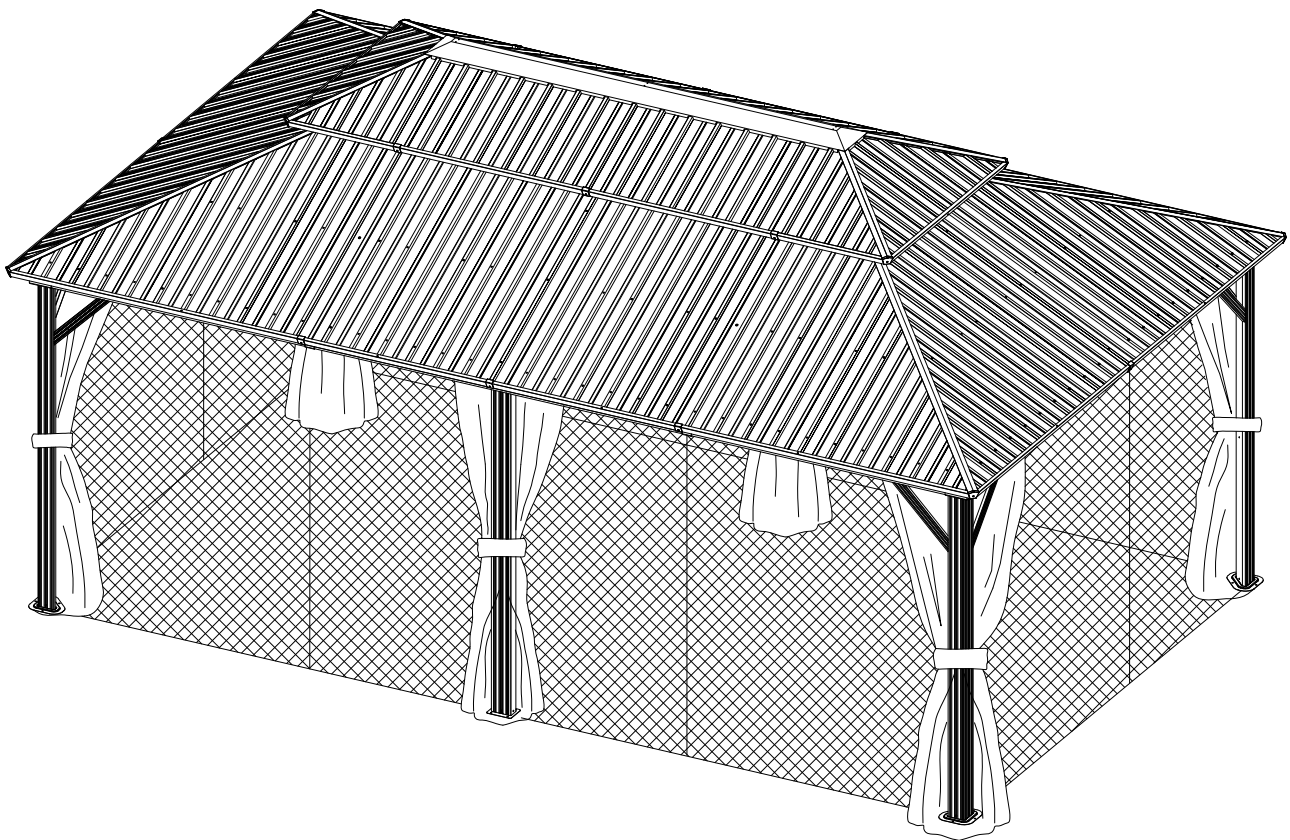




12' x 20' Metal Patio Gazebo

ASSEMBLY MANUAL



MODEL#: LGMF1595B

Missing part? Damaged? Contact us via email at

service@domioutdoorliving.com

www.domioutdoorliving.com

© Copyright 2022–2024 domi LLC. | All Rights Reserved.

Pre-assembly



1. Two or more people are required for assembly.



2. You will need one or more stepladders.



3. Wearing protective gloves is recommended.



4. You may need a safety hat.



5. Please use a Phillips screw driver.



6. For ease of construction, you may need a drill.



7. You may need a safety goggle.



8. Do not fully tighten screws prior to complete assembly.

Warning & Attention

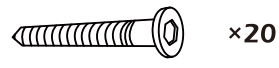
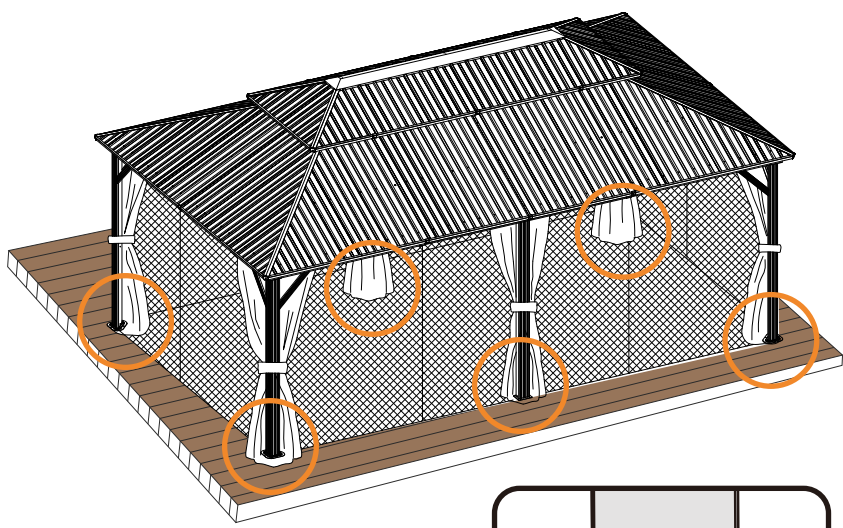
-Try to assemble this product on the flat ground, otherwise it is difficult to carry out;

-It would be much easier to assemble the product with three or more people;

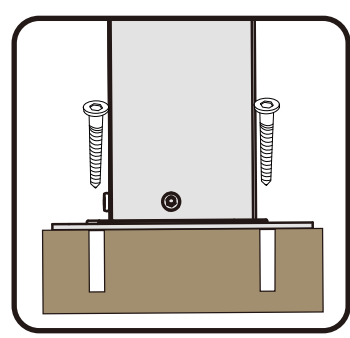
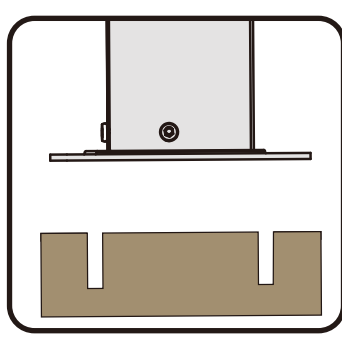
-After assembly, please check whether all screws are tightened, to prevent parts from falling apart.

▲ Use bolts to secure the frame to the ground to against the strong wind.

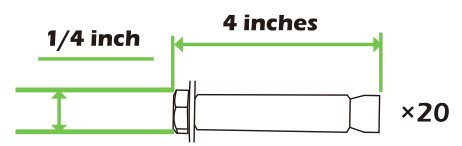
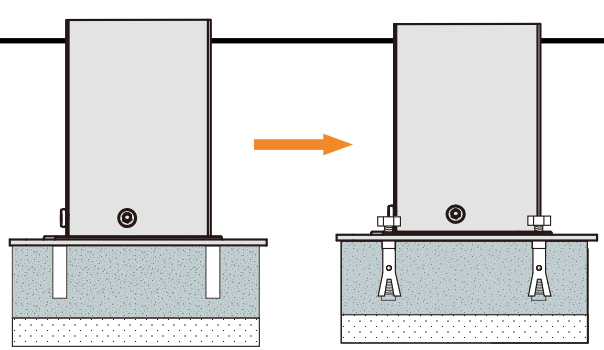
1



If the deck is hard wood and the depth of it is over 3 inch, you can use **5/16 in. x4 in. Structural Wood Screw** to mount the gazebo.

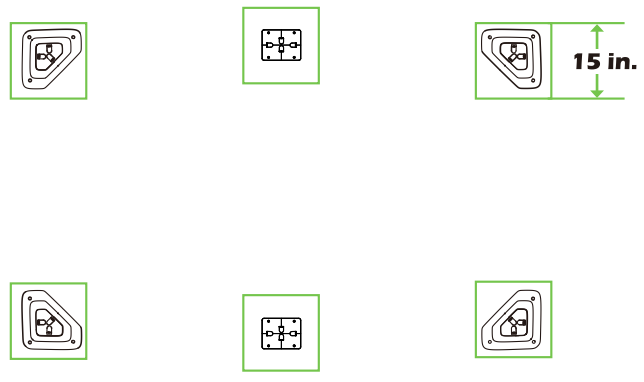


2



If the ground is concreted and the depth of it is over 3 inch, you can use 1/4 inch expansion bolts to mount the gazebo

3



Or you can make a concrete footing for gazebo, **15x15x15 inches** is recommended. use expansion bolts to mount the gazebo like (2) shows.

IMPORTANT:
Anchor is not recommended





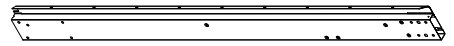
A 4x Pole



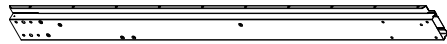
A1 2x Pole



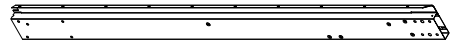
C 2x Beam



C1 2x Beam



D 2x Beam



D1 2x Beam



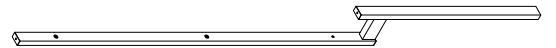
D2 2x Beam



E 4x Corner Roof Bar



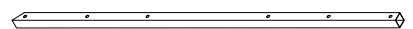
E1 4x Corner Roof Bar Connector



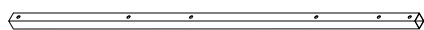
E2 8x Roof Bar



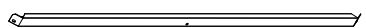
F 4x Solidfying Bar



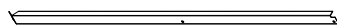
G 4x Solidfying Bar



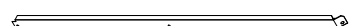
G1 4x Solidfying Bar



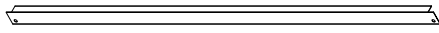
H 2x Finishing Bar



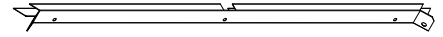
H1 2x Finishing Bar



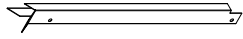
H2 2x Finishing Bar



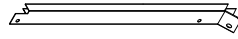
(H3) 4x Finishing Bar



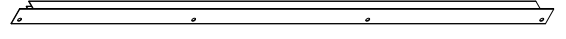
(J) 2x Finishing Bar



(J1) 2x Finishing Bar



(J2) 2x Finishing Bar



(J3) 4x Finishing Bar



(K) 2x Finishing Bar



(K1) 2x Finishing Bar



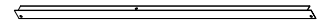
(K2) 2x Finishing Bar



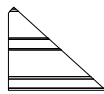
(K3) 2x Finishing Bar



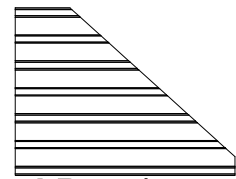
(K4) 2x Finishing Bar



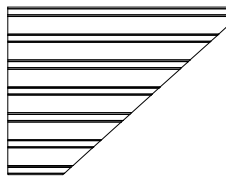
(K5) 2x Finishing Bar



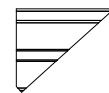
(L1) 2x Roof Panel



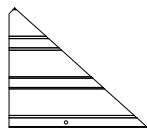
(L2) 2x Roof Panel



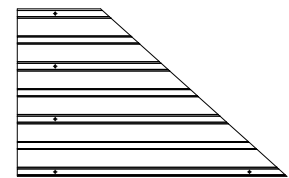
(L3) 2x Roof Panel



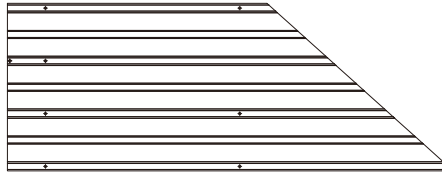
(L4) 2x Roof Panel



(M1) 2x Roof Panel



(M2) 2x Roof Panel



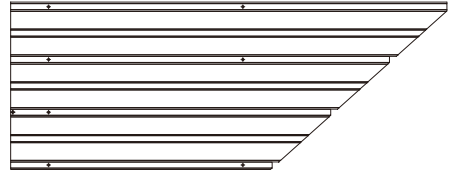
M3 2x Roof Panel



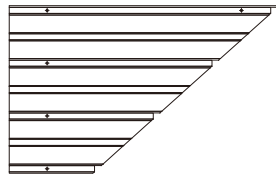
M4 2x Roof Panel



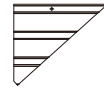
M5 2x Roof Panel



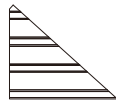
M6 2x Roof Panel



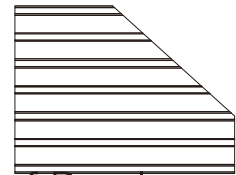
M7 2x Roof Panel



M8 2x Roof Panel



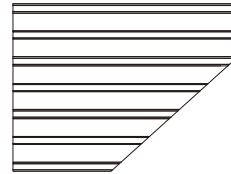
N1 2x Roof Panel



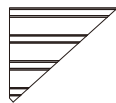
N2 2x Roof Panel



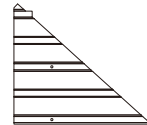
N3 8x Roof Panel



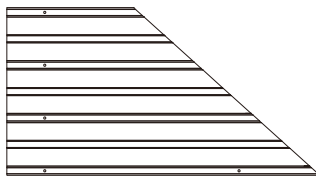
N4 2x Roof Panel



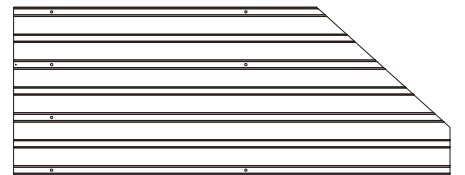
N5 2x Roof Panel



P1 2x Roof Panel



P2 2x Roof Panel



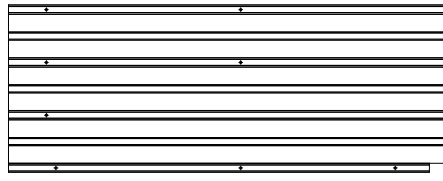
P3 2x Roof Panel



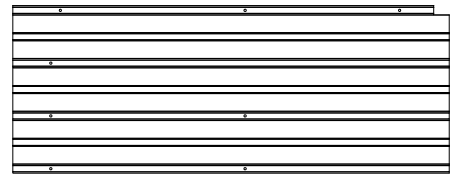
P4 2x Roof Panel



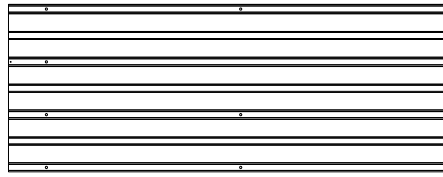
P5 2x Roof Panel



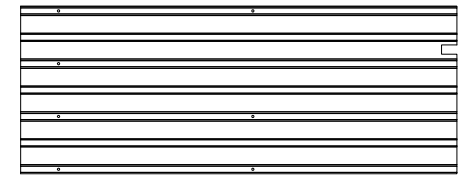
P6 2x Roof Panel



P7 2x Roof Panel



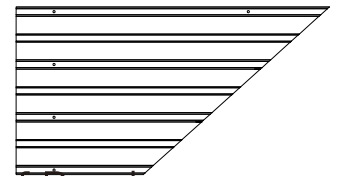
P8 2x Roof Panel



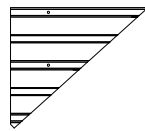
P9 2x Roof Panel



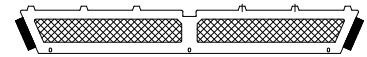
P10 2x Roof Panel



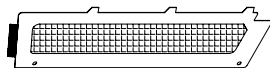
P11 2x Roof Panel



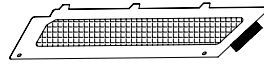
P12 2x Roof Panel



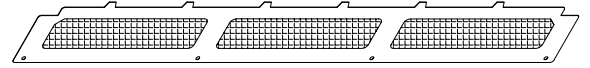
Q 2x Net Frame



Q1 2x Net Frame



Q2 2x Net Frame



Q3 4x Net Frame



T 4x Track



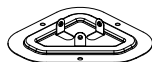
T1 4x Track



T2 2x Track



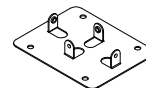
T3 2x Track



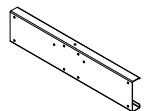
B 4x Base



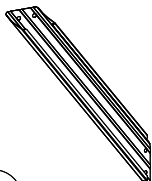
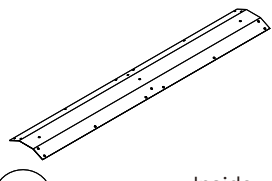
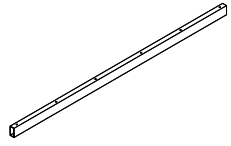
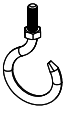

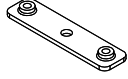


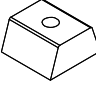


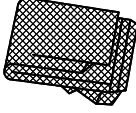


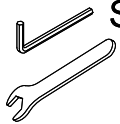

B1 12x Bracket



B3 2x Base



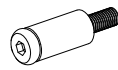
C2 6x Union Bar

 R 4x Corner Solidifying Bar	 R1 4x Corner Solidifying Bar	 S1 2x Inside Roof Cover	 S2 1x Inside Roof Cover
 S3 2x Inside Roof Cover Connector	 S4 4x Solidifying Bar	 S5 2x Outside Roof Cover	 S6 2x Outside Roof Cover Connector
 S7 1x Solidifying Bar	 S8 5x J-Hook	 U 4x Bracket	 U1 6x Bracket
 U2 4x Bracket	 U3 8x Bracket	 U4 2x Bracket	 V 152x Hook
 W 160x Black Rubber	 X 6x Joint Cover	 X1 4x Corner Cover	 X2 14x Finishing End
 X3 12x Finishing End	 Y 4x Curtains	 Y1 4x Mosquito Netting	 Y2 2x Mosquito Netting
 Y3 2x Curtains	 Z 76x Plastic Bracket	 Z1 4x Plastic Bracket	 Z2 4x Plastic Bracket
 Z3 2x Plastic Bracket	 Z4 2x Plastic Bracket	 1 1x	 2 36x ST6.3x15



ST5x16

3 28x



M6x35

4 32x



M6

5 192x



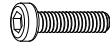
M6x10

7 62x



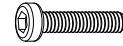
M6x16

8 302x



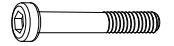
M6x25

9 8x



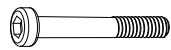
M6x28

10 100x



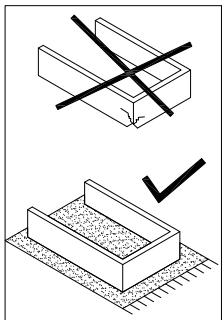
M6x45

11 4x



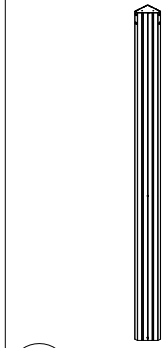
M6x50

12 48x



7

POST ASSEMBLY:



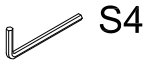
A 4x



B 4x



B1 8x

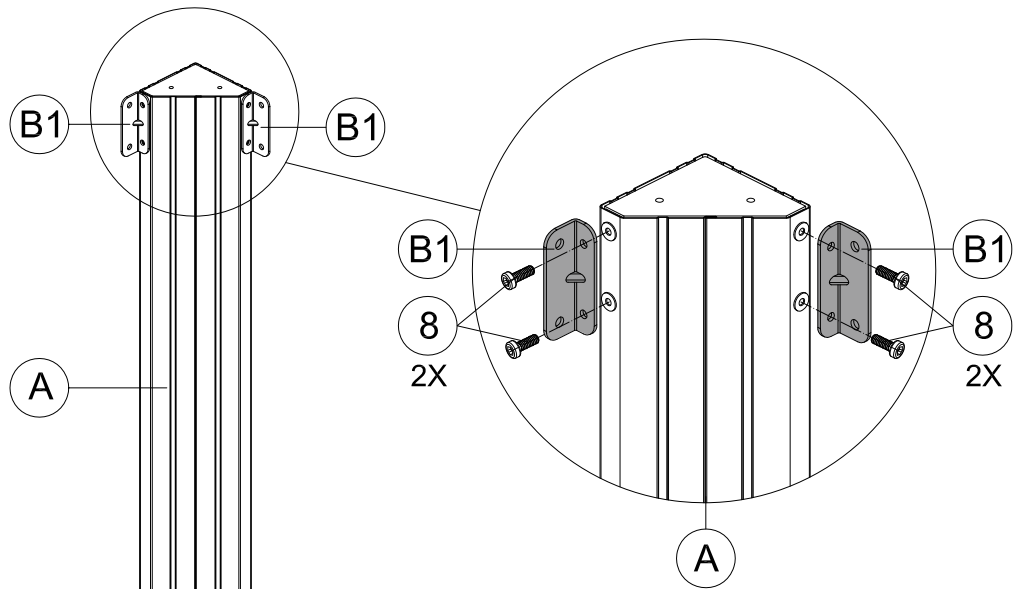


1 1x

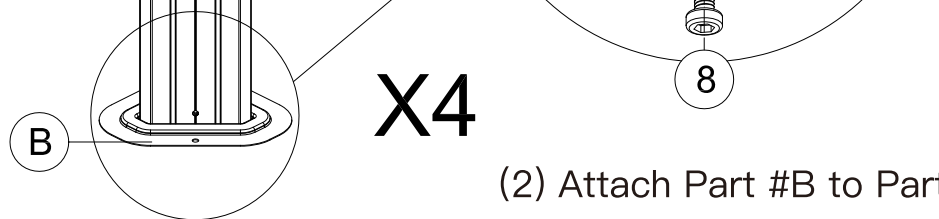


M6x16

8 28x



(1) Attach 2 Part #B1 to Part #A with 4 Bolts #8.



(2) Attach Part #B to Part #A with 3 Bolts #8.

(3) Repeat the above procedures to assemble the other 3 Part #A.

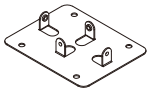
8



A1 2x



B1 4x



B3 2x



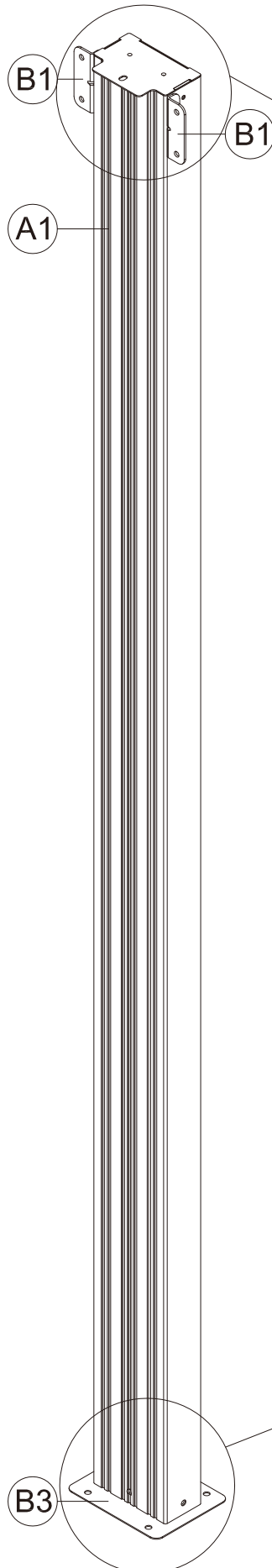
1 1x



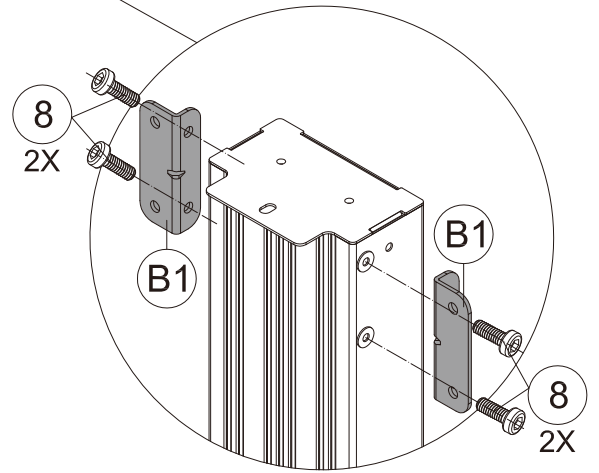
M6x16

8 16x

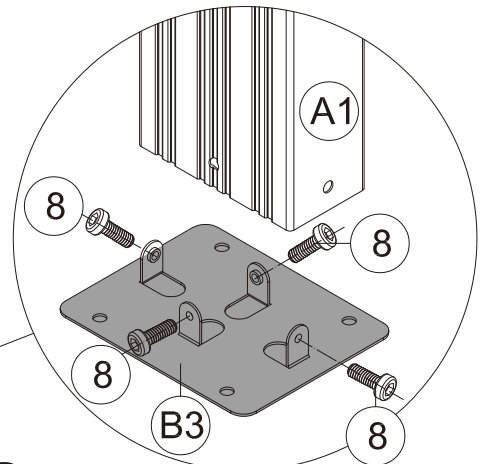
9



(1) Attach 2 Part #B1 to Part #A1 with 4 Bolts #8.



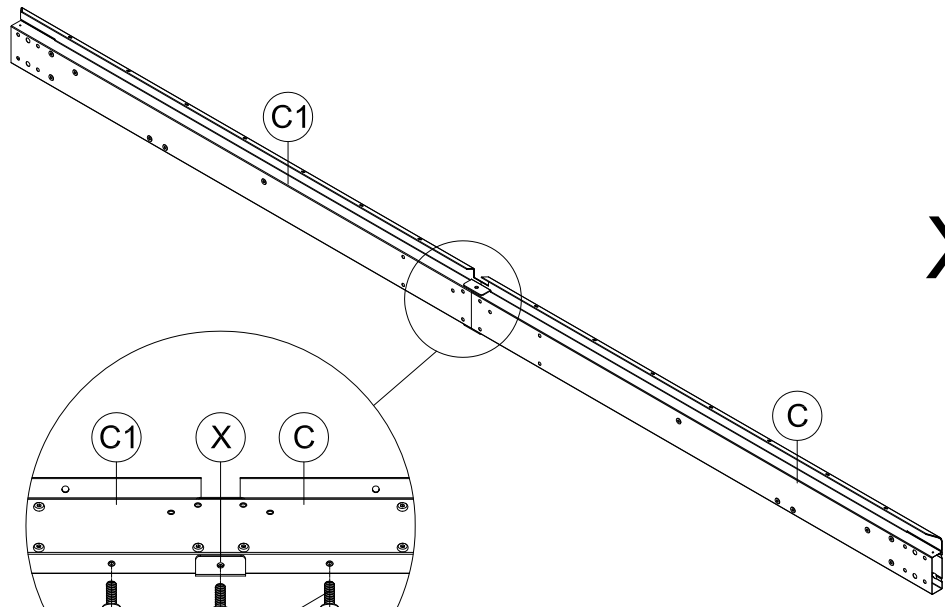
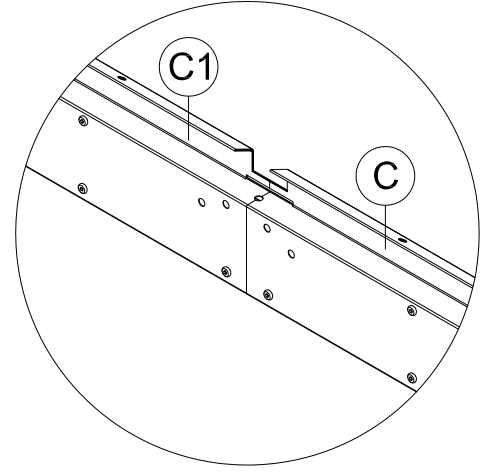
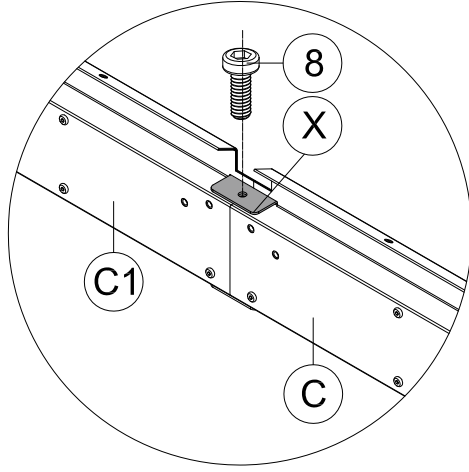
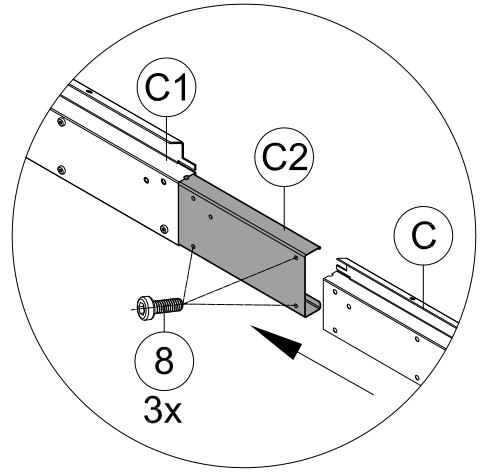
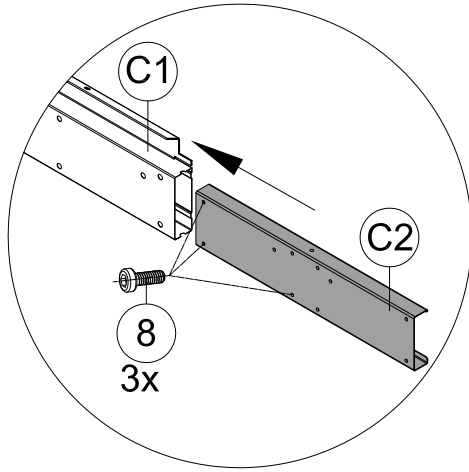
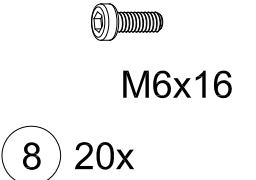
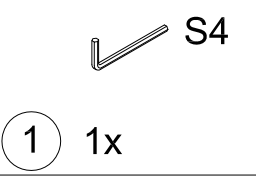
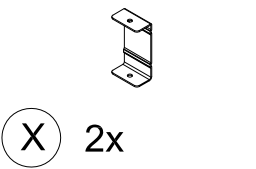
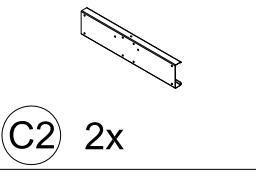
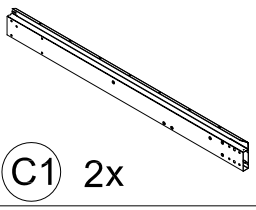
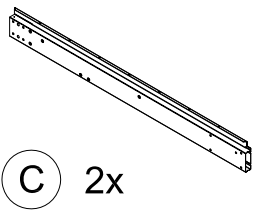
(2) Attach Part #B3 to Part #A1 with 4 Bolts #8.



X2

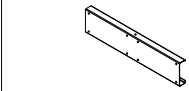
(3) Repeat the above procedures to assemble another Part #A1.

BEAM ASSEMBLY:

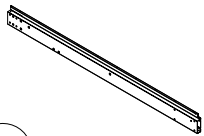


(6) Repeat the above procedures to assemble the another beam.

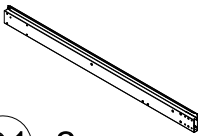
X2



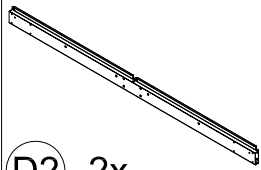
C2 4x



D 2x



D1 2x



D2 2x



X 4x

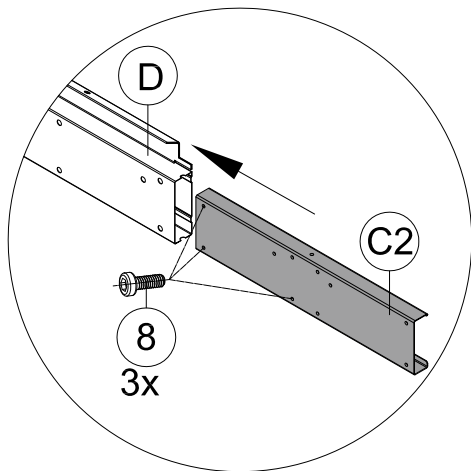


1 1x

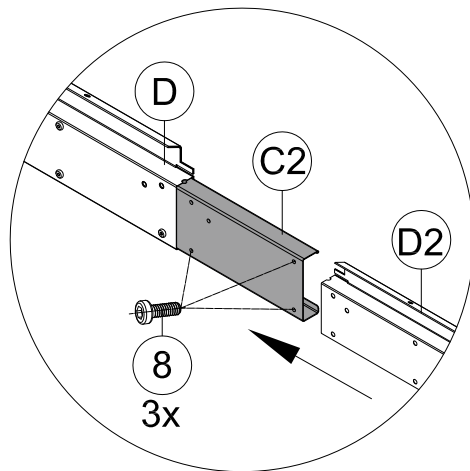


M6x16

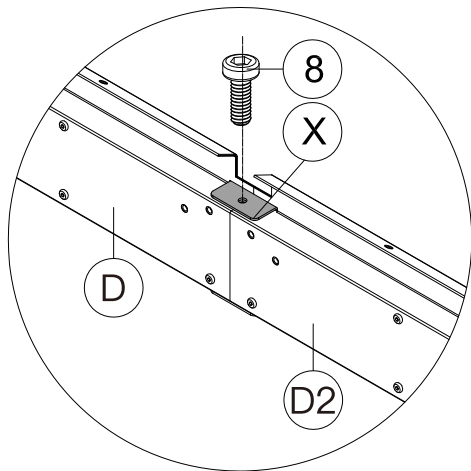
8 40x



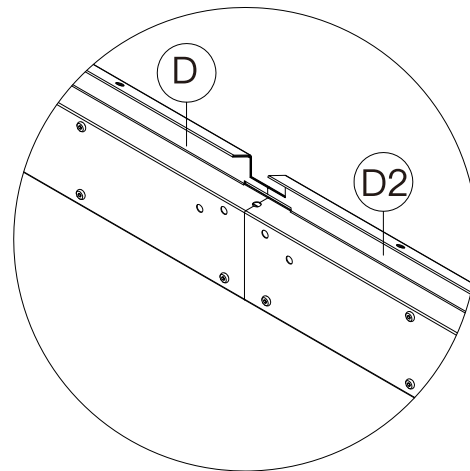
(1) Insert Part #C2 into Part #D. and secure with 3 Bolts #8.



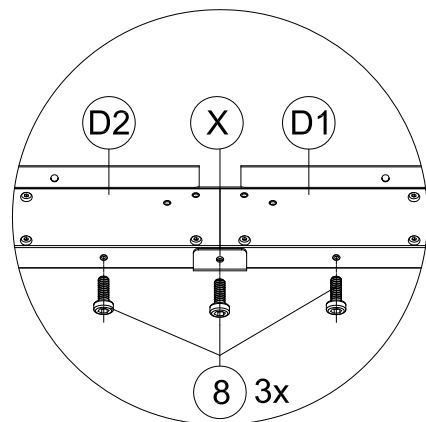
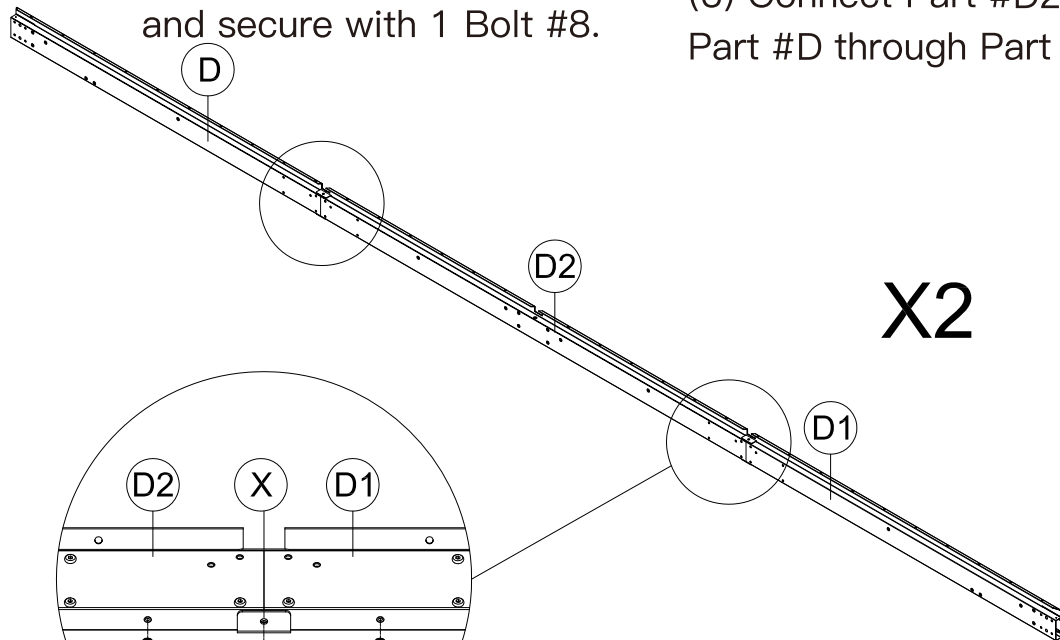
(2) Insert the other side of Part #C2 into Part #D2 and secure with 3 Bolts #8.



(4) Insert Part #X into the beam and secure with 1 Bolt #8.

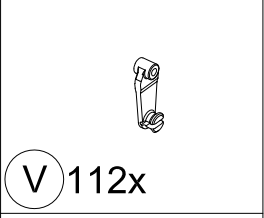
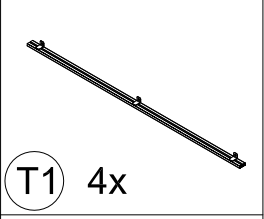
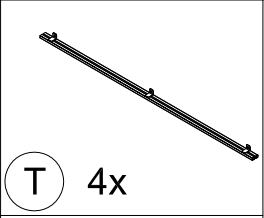


(3) Connect Part #D2 and Part #D through Part #C2.



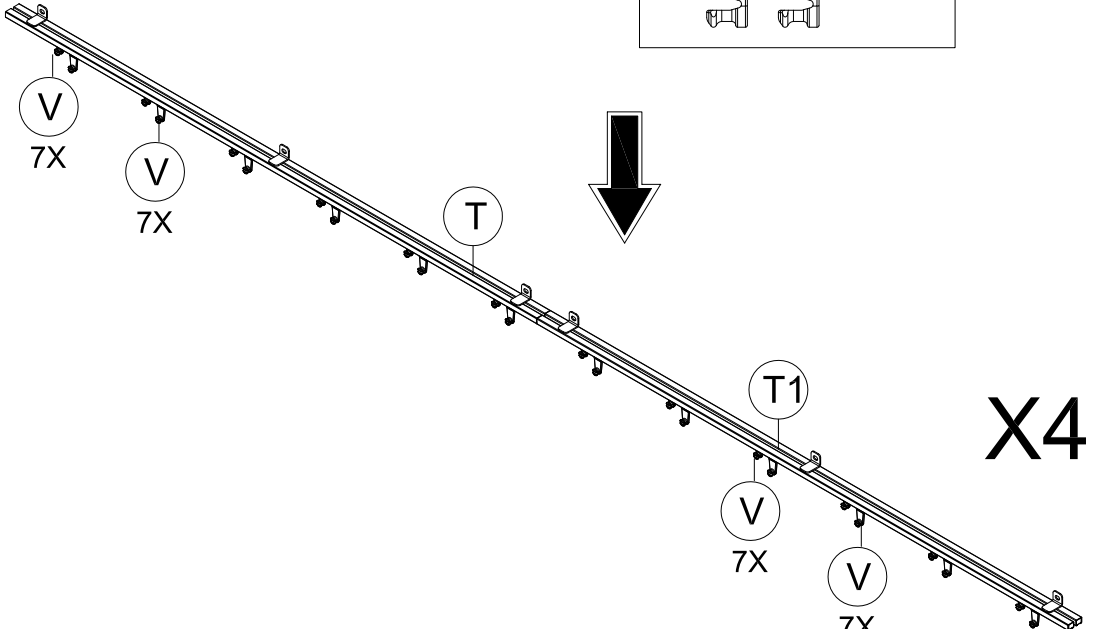
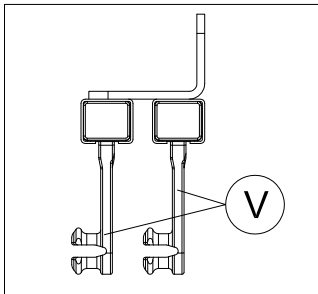
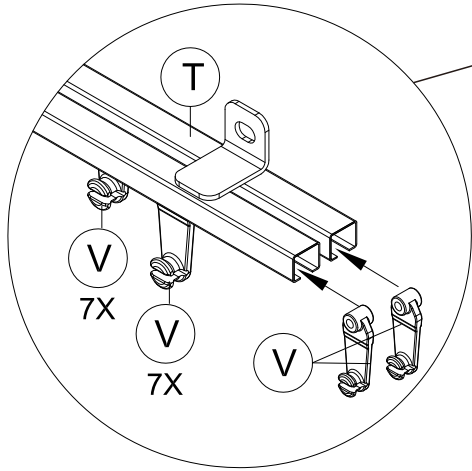
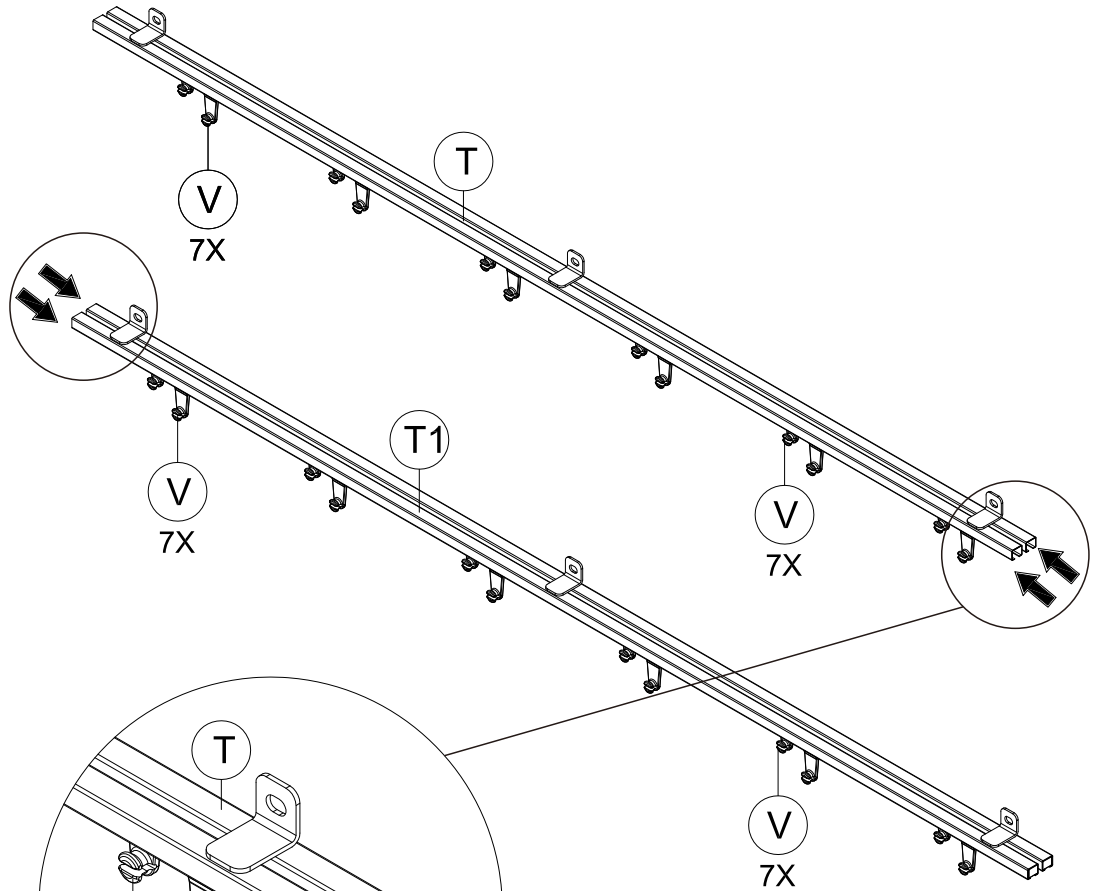
(5) Secure the bottom of Part #X and Part #D2/D1 with 3 Bolts #8.

(6) Repeat the above procedures to assemble the another beam.

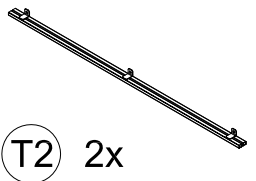


TRACK ASSEMBLY:

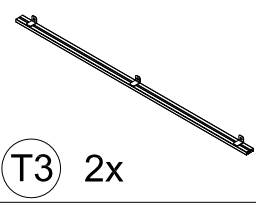
(1) Slide the plastic hooks to the double-rail track #T & T1 (each slot should slide 7 plastic hooks).



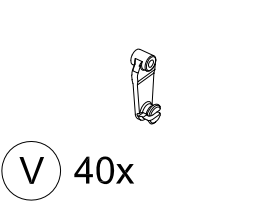
(2) Repeat the above procedures for the other 3 track #T & T1.



T2 2x

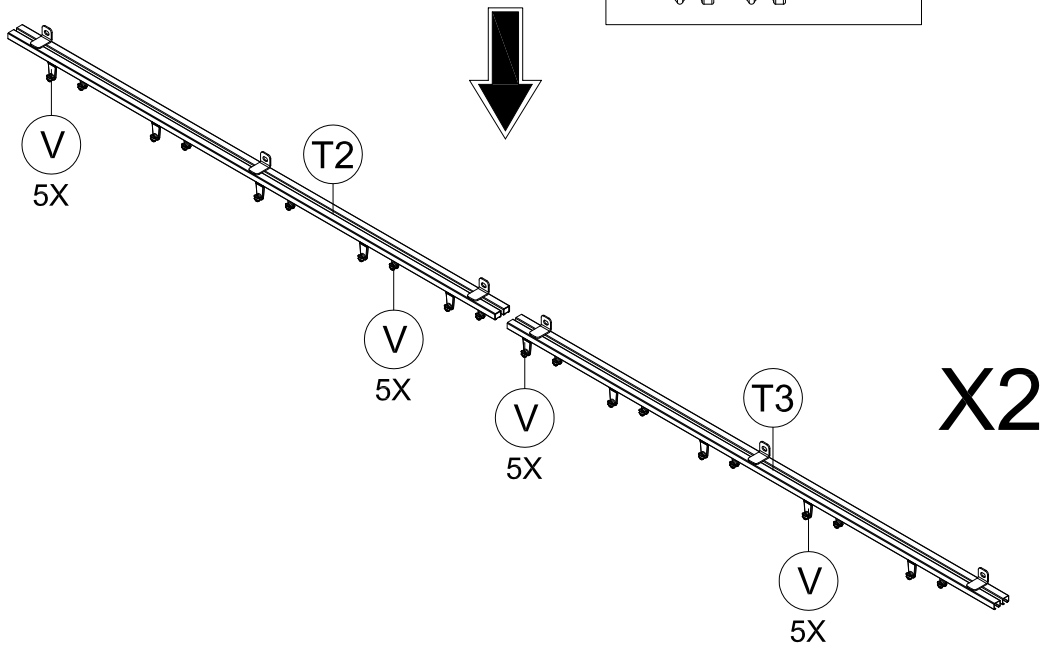
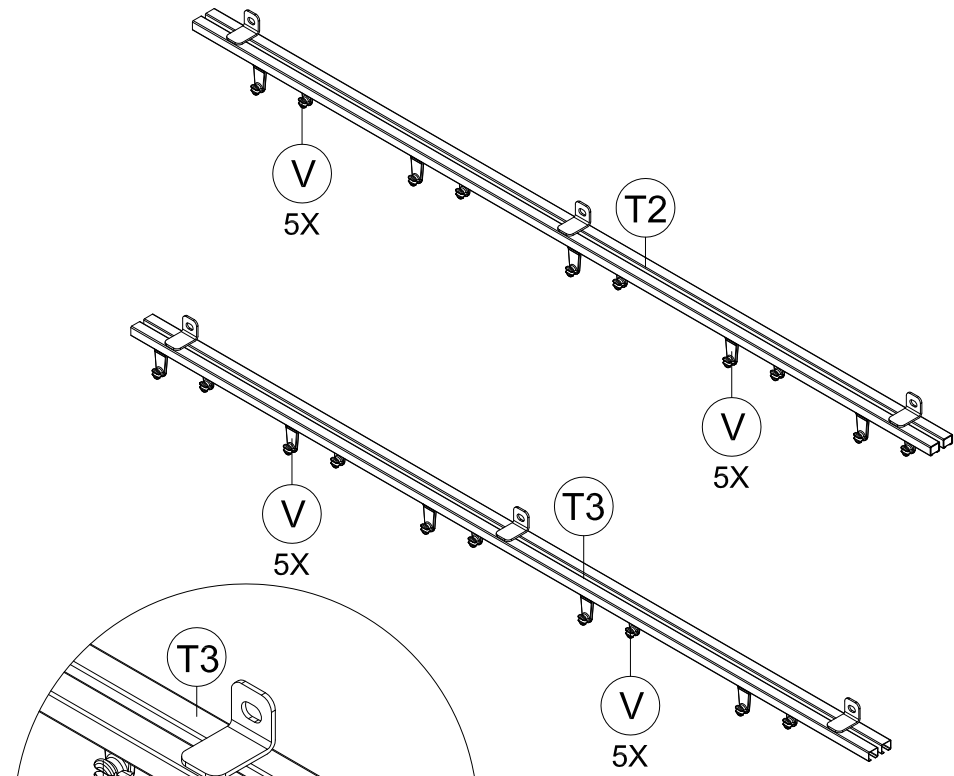


T3 2x



V 40x

(1) Slide the plastic hooks to the double-rail track #T & T1 (each slot should slide 5 plastic hooks).



(2) Repeat the above procedures for the other track #T2 & T3.

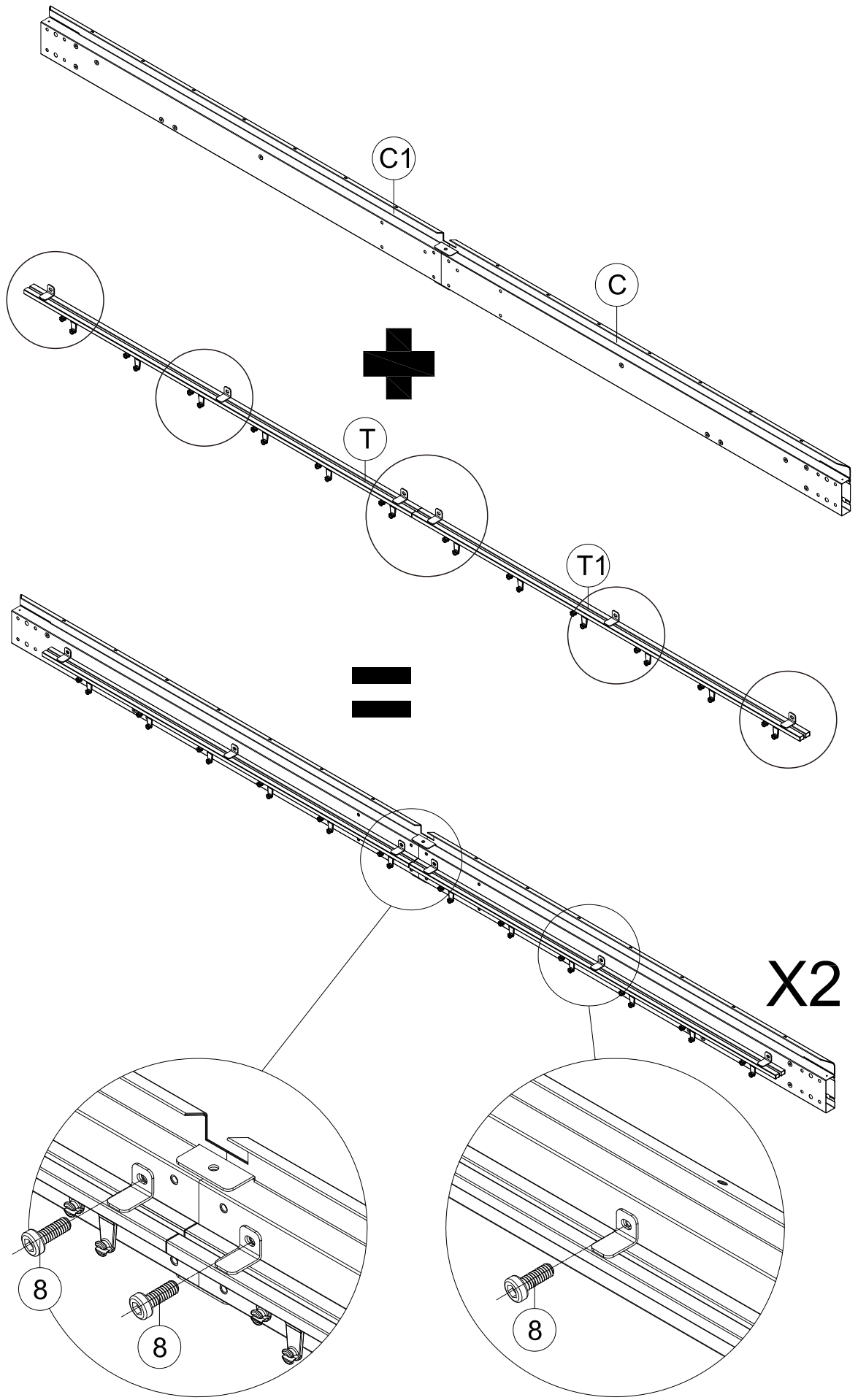
✓ S4

1 1x


M6x16

8 12x

(1) Use 6 Bolts #8 to fix the track T & T1 to the beam C & C1.



(2) Repeat the above procedures for the other beam.

✓ S4

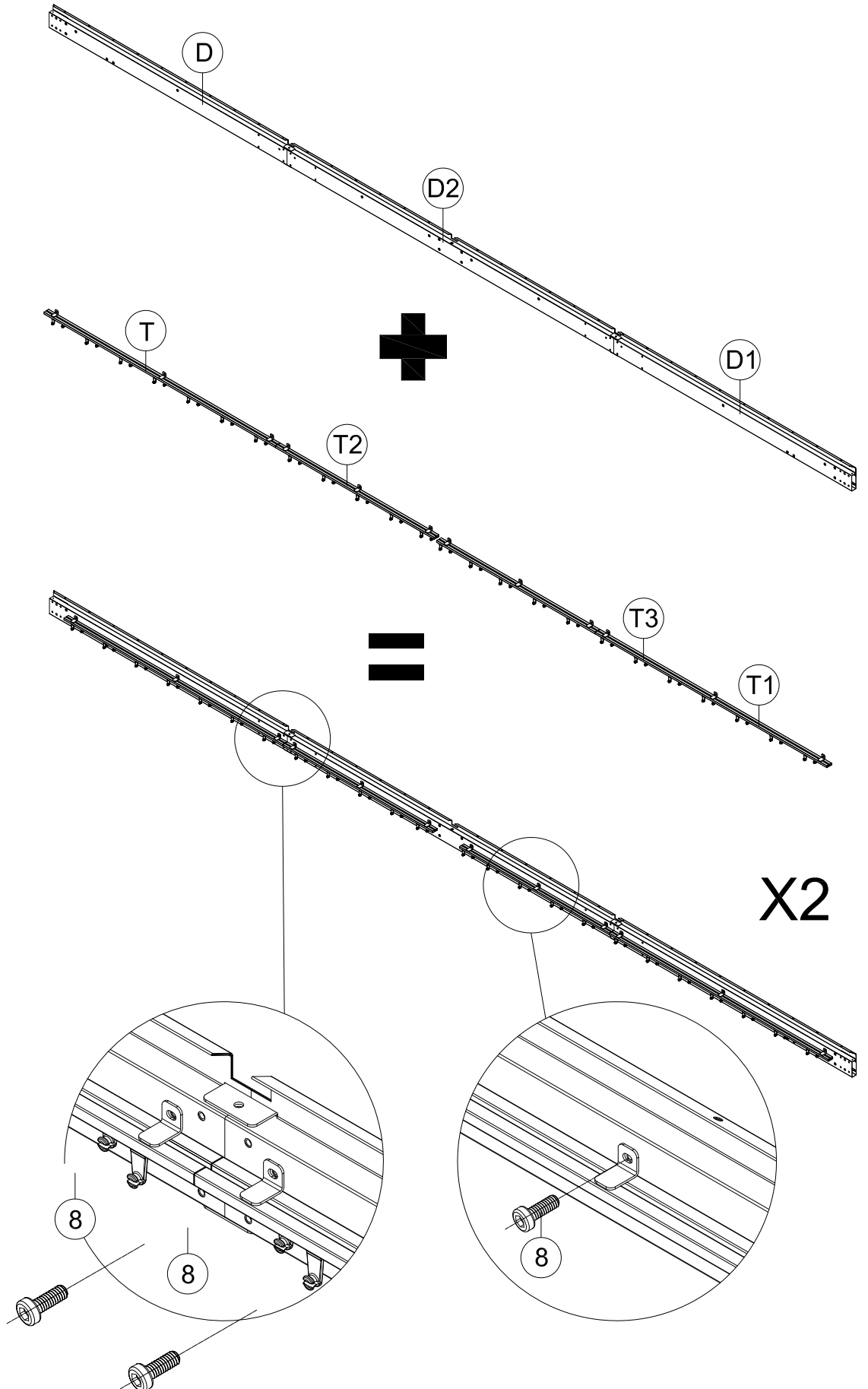
1 1x



M6x16

8 24x

(1) Use 12 Bolts #8 to fix the track T,T2 ,T3 &T1 to the beam D, D2 & D1.



15

(2) Repeat the above procedures for the other beam.



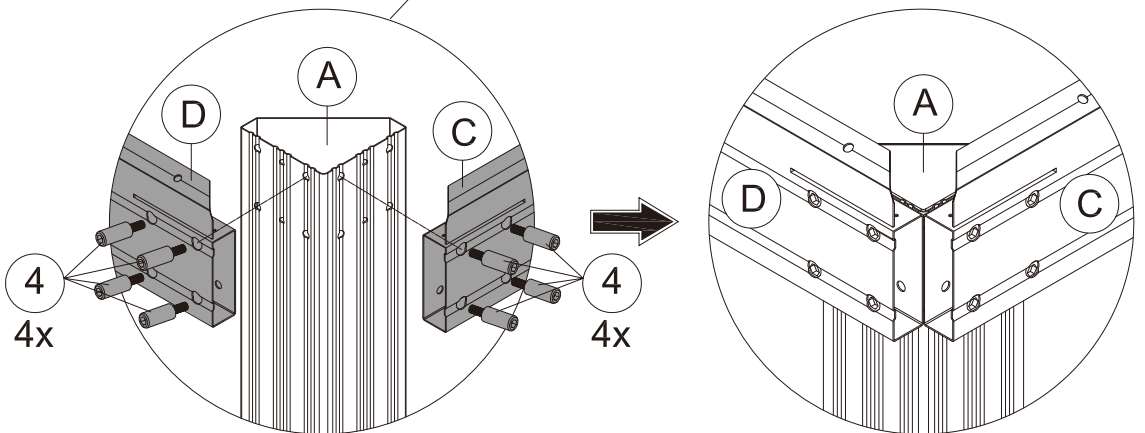
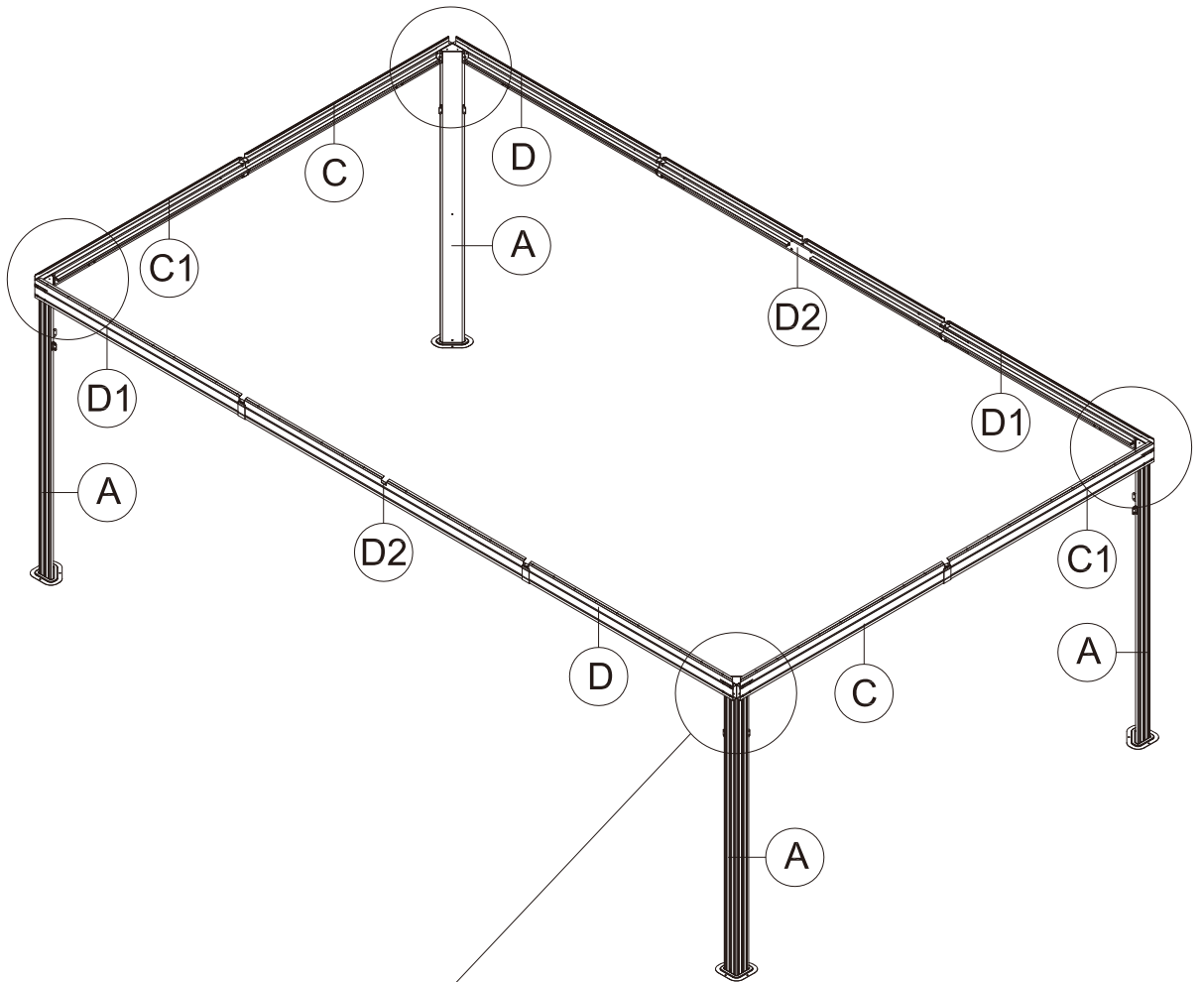
S6

1 1x



M6x15

4 32x



(1) Connect Part #C and #D to Part #A with 8 Bolts #4.
(From Outside)

(2) Repeat the above procedures to assemble the other 3 corners.

▲ Please don't tighten all bolts.

✓ S4

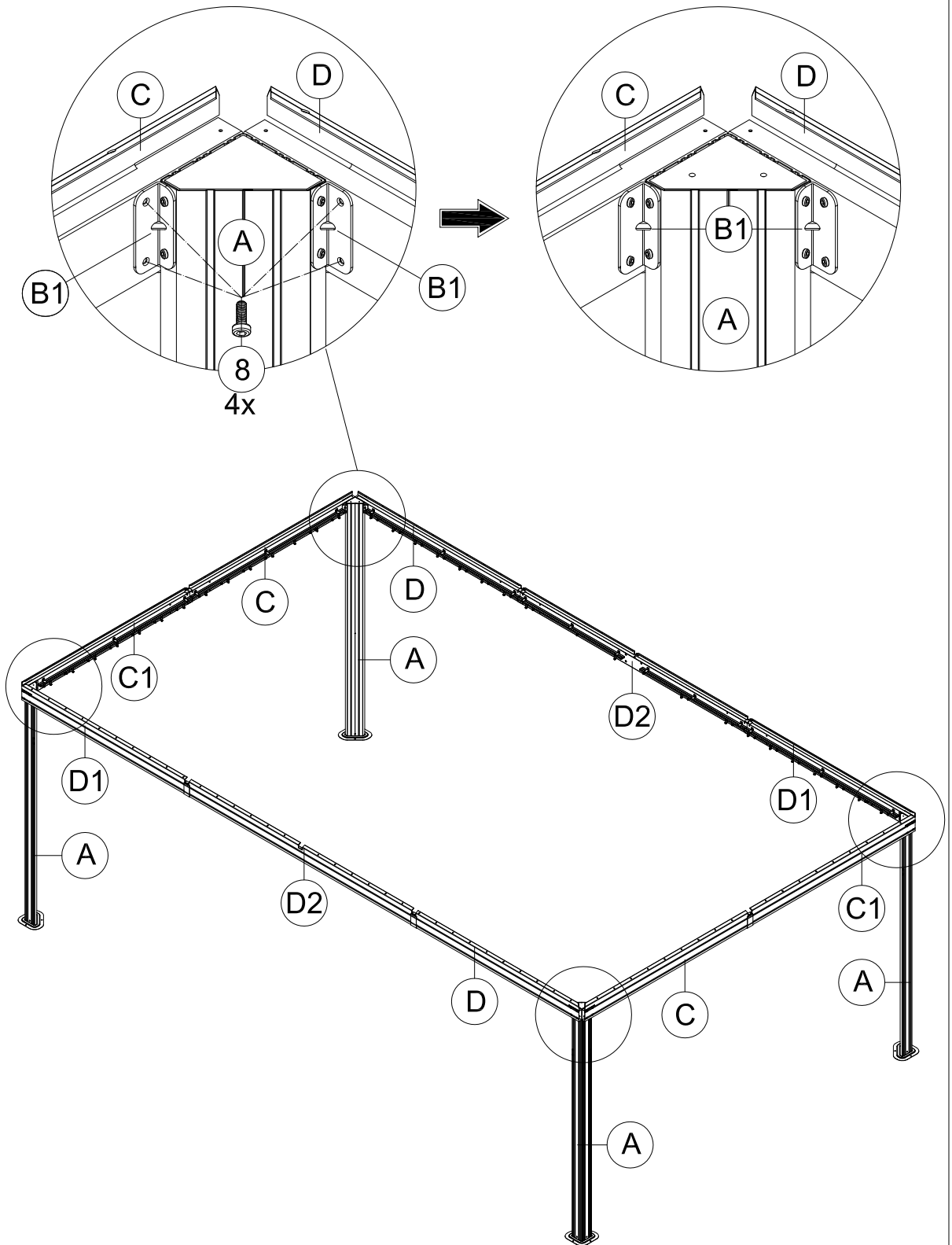
1 1x



M6x16

8 16x

(1) Connect Part #C and #D to Part #A with 4 Bolts #8.
(From Inside)



Repeat the above procedures to assemble the other 3 corners.

▲ Please don't tighten all bolts.

✓ S4

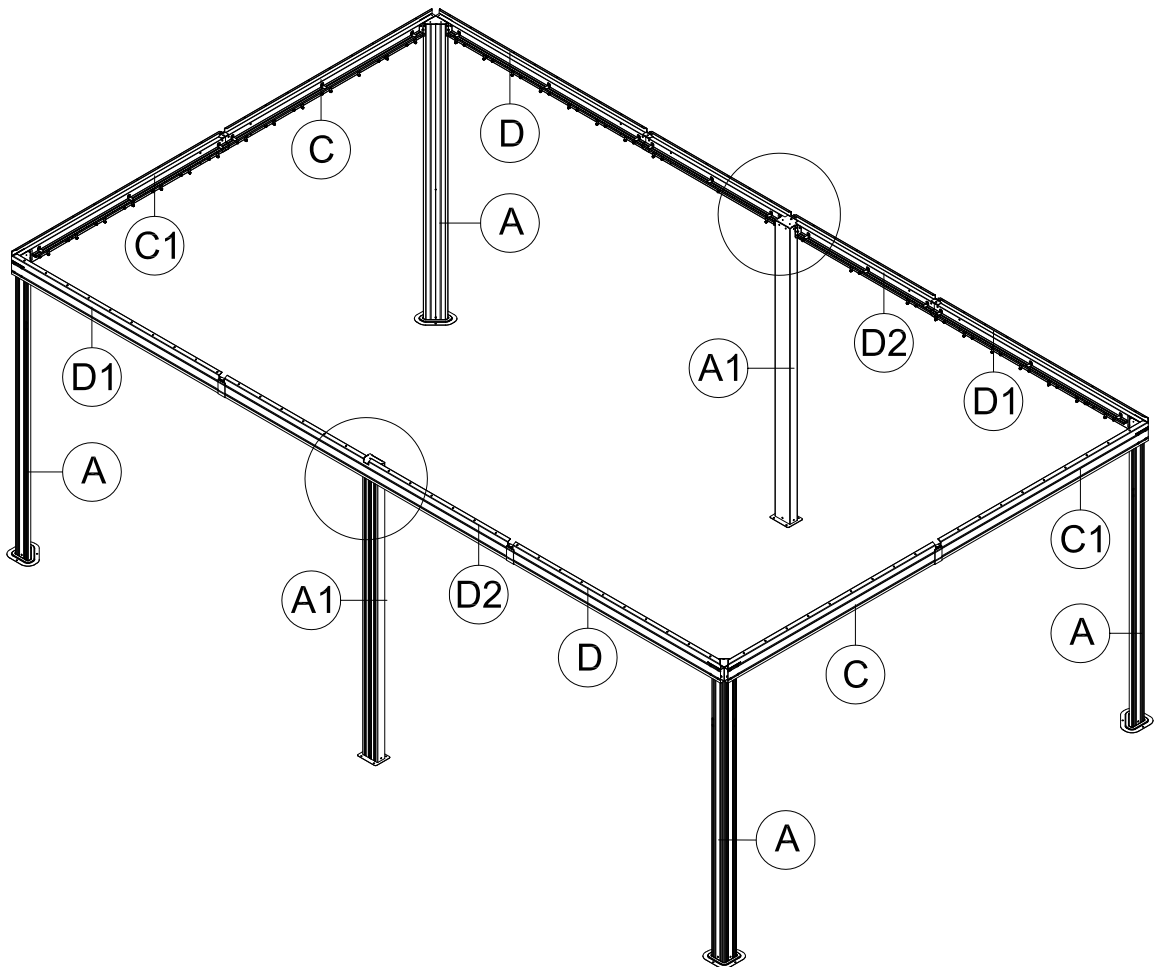
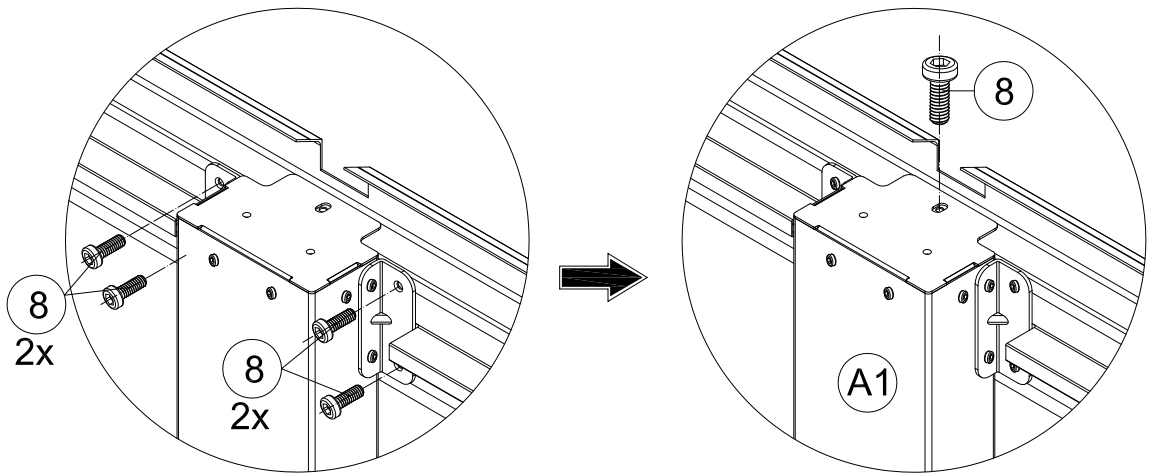
1 1x



M6x16

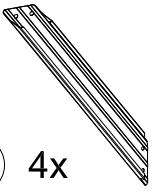
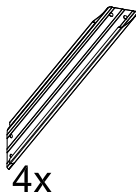
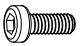
8 10x

(1) Connect Part #A1 to the middle of Part #D2 with 5 Bolts #8.



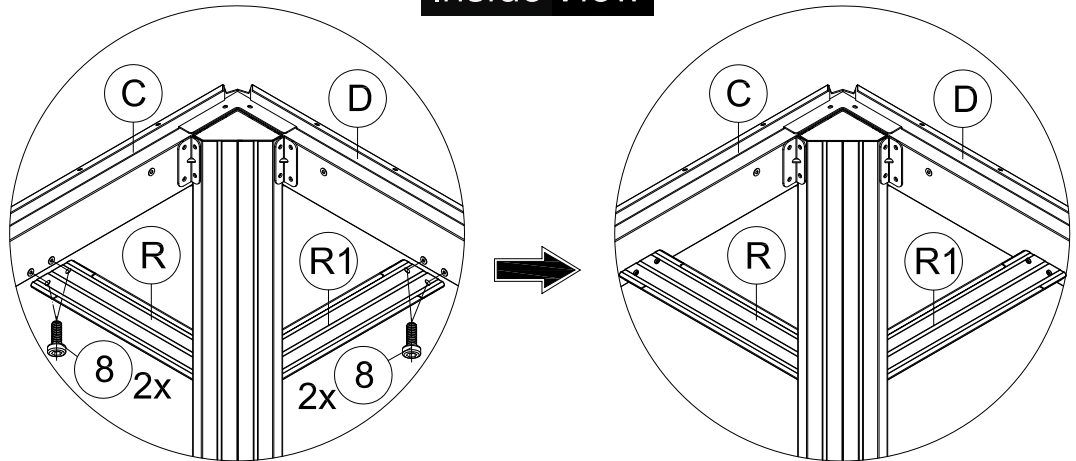
Repeat the above procedures to assemble the opposite side.

▲ Please don't tighten all bolts.

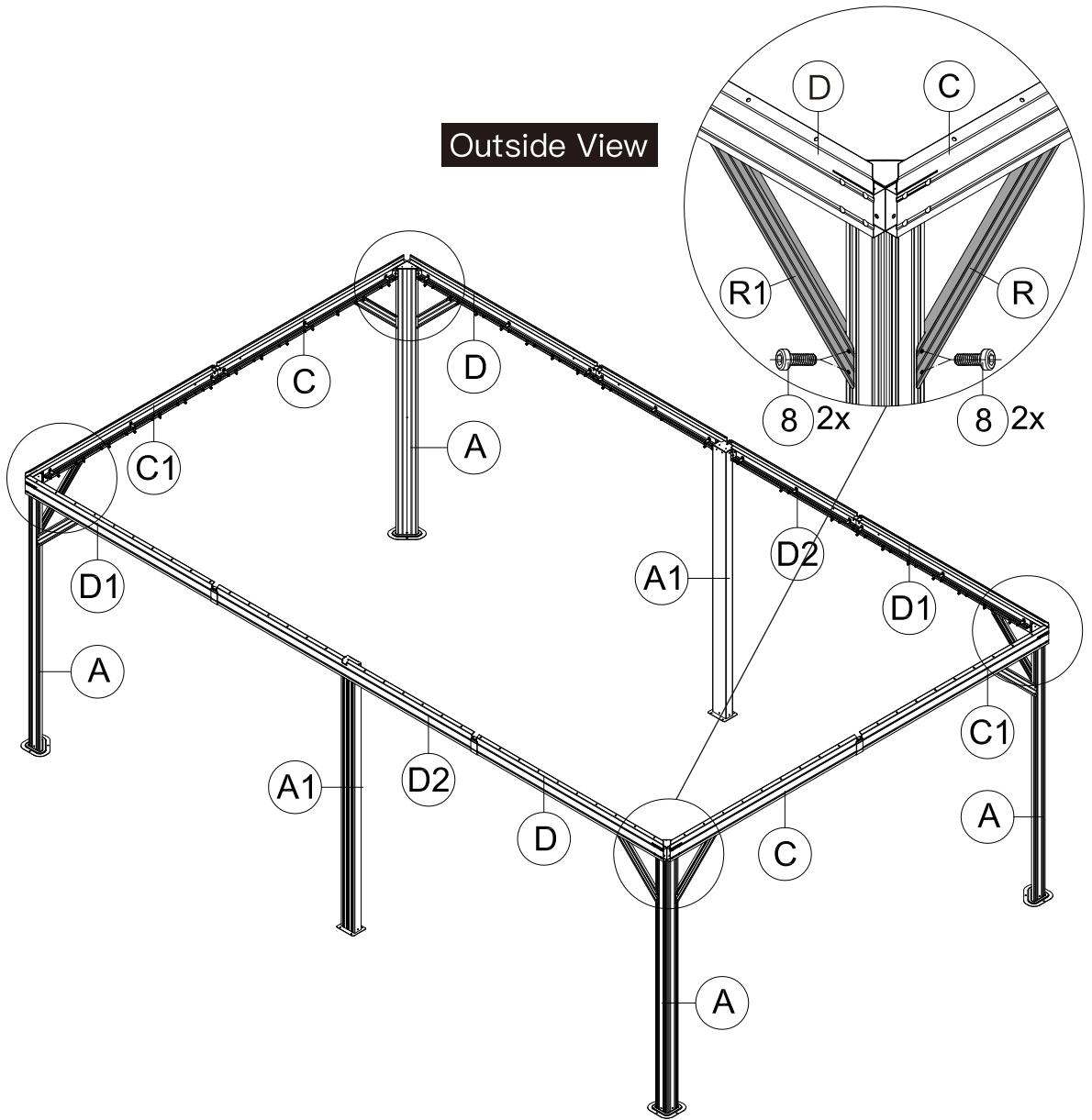
-  **R** 4x
-  **R1** 4x
-  **M6x16**
- 8** 32x

(1) Affix Part #R and Part #R1 to the frame with 8 Bolts #8.

Inside View



Outside View



Repeat the above procedures to assemble the other 3 corners.

▲ Please don't tighten all bolts.

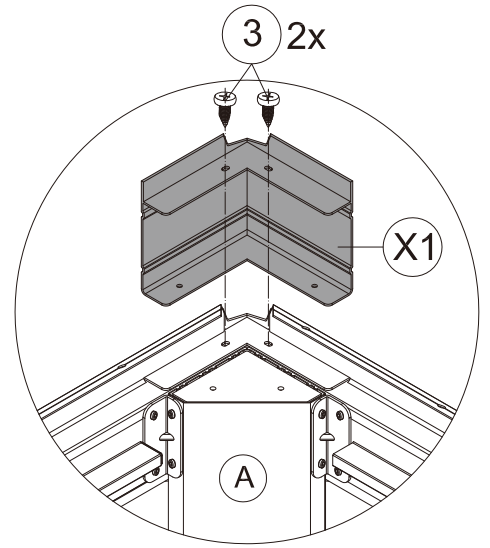
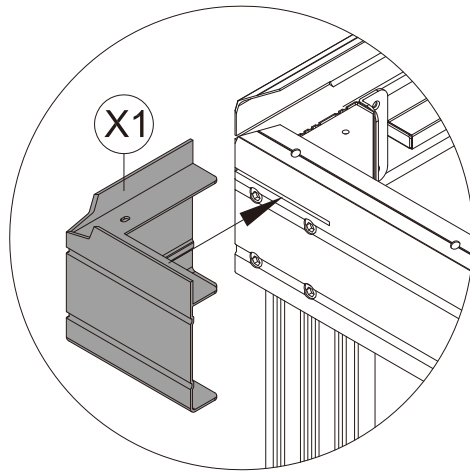


X1 4x



ST5x16

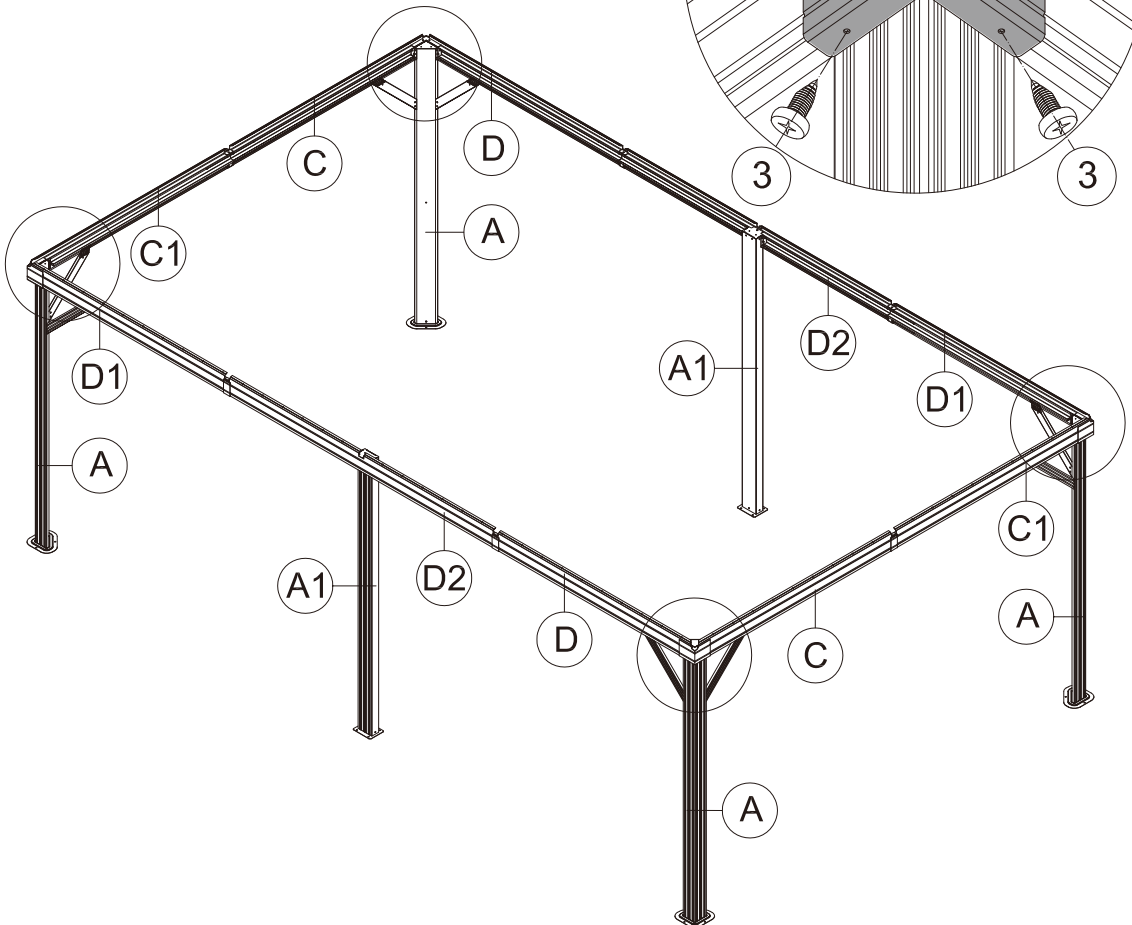
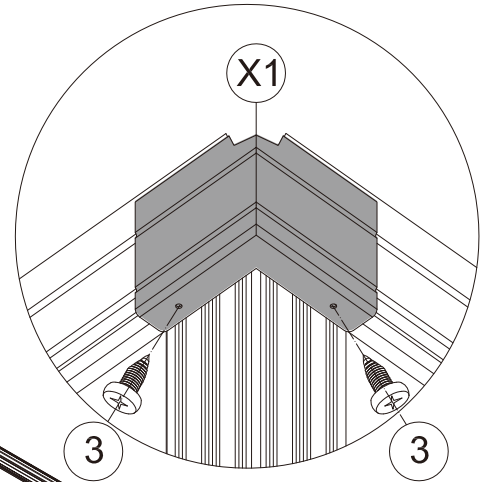
3 16x



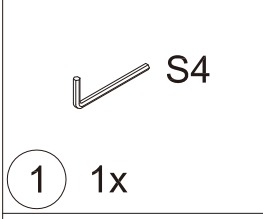
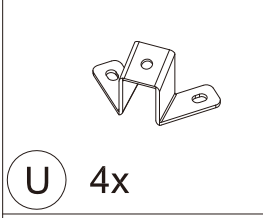
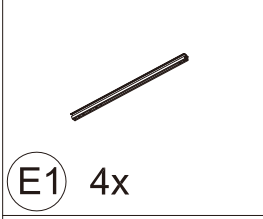
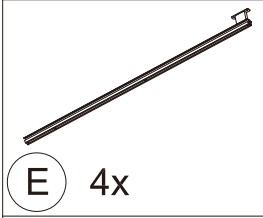
(1) Cover the corner with Part #X1. (2) Secure with 2 Self-tapping Screws #3. (from top to bottom)



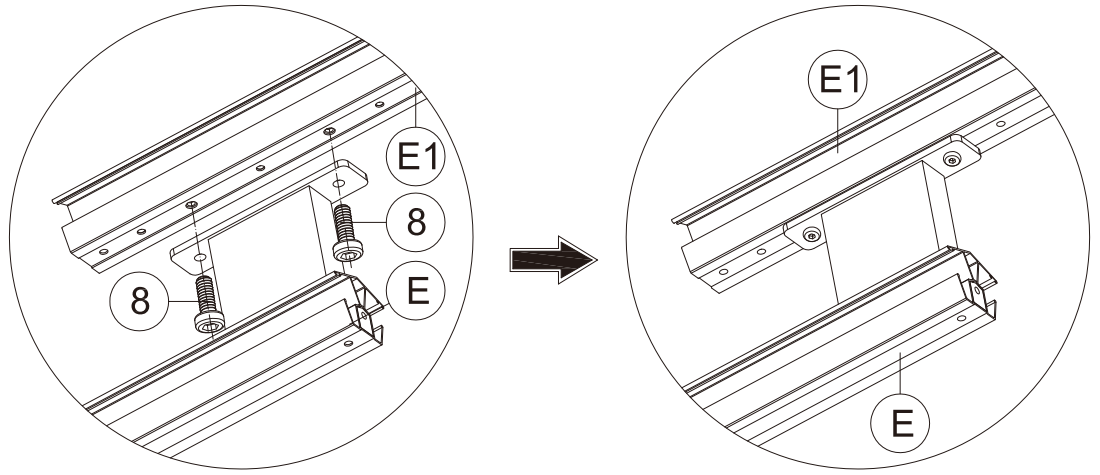
(3) Secure with 2 Self-tapping Screws #3. (from bottom to top)



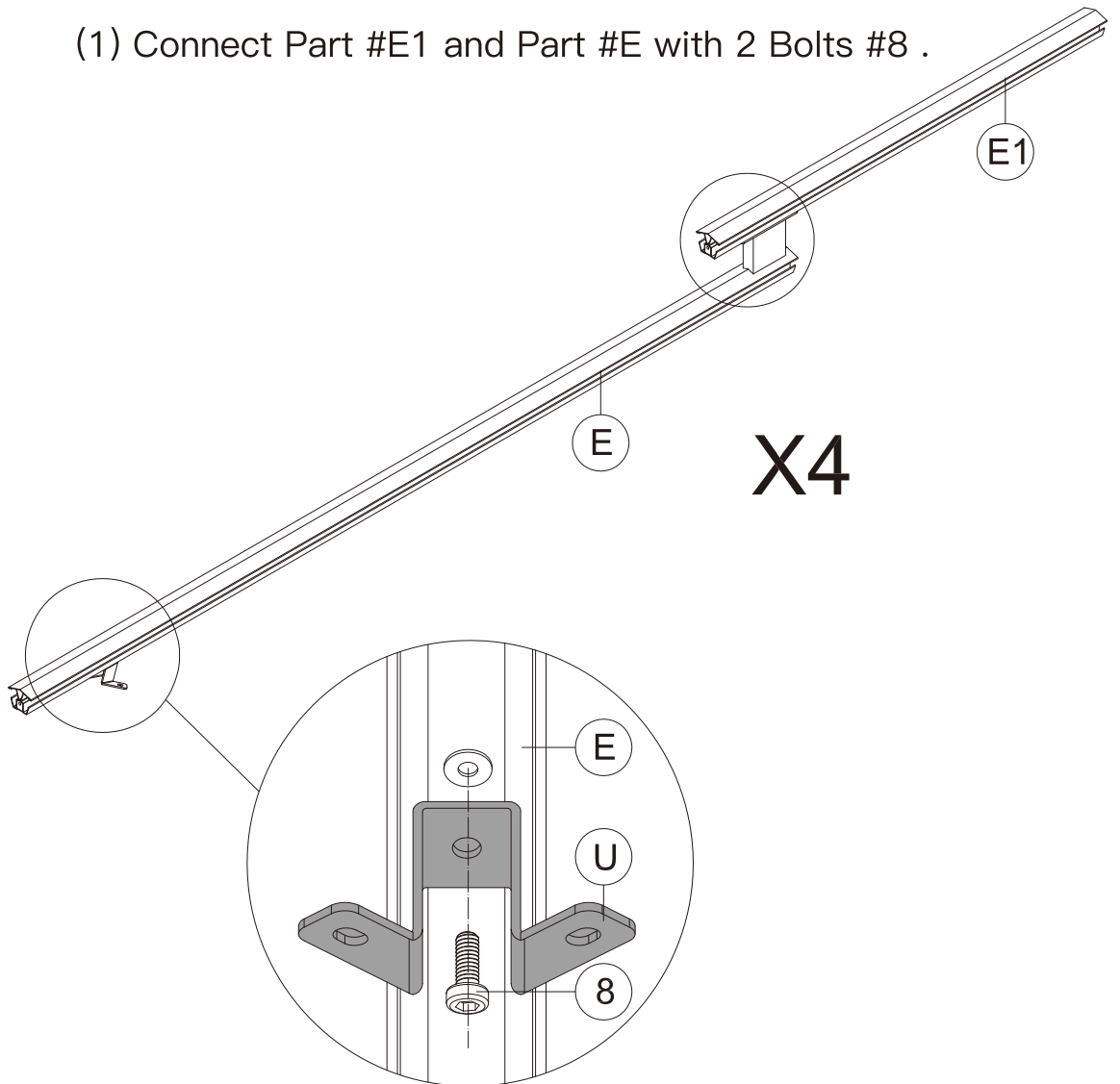
Repeat the above procedures to assemble the other 3 corners.
▲ Tighten all bolts.



Assemble the 4 Corner Roof Bars:

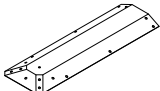
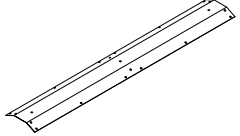
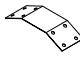

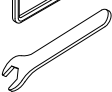
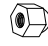
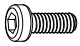


(1) Connect Part #E1 and Part #E with 2 Bolts #8 .



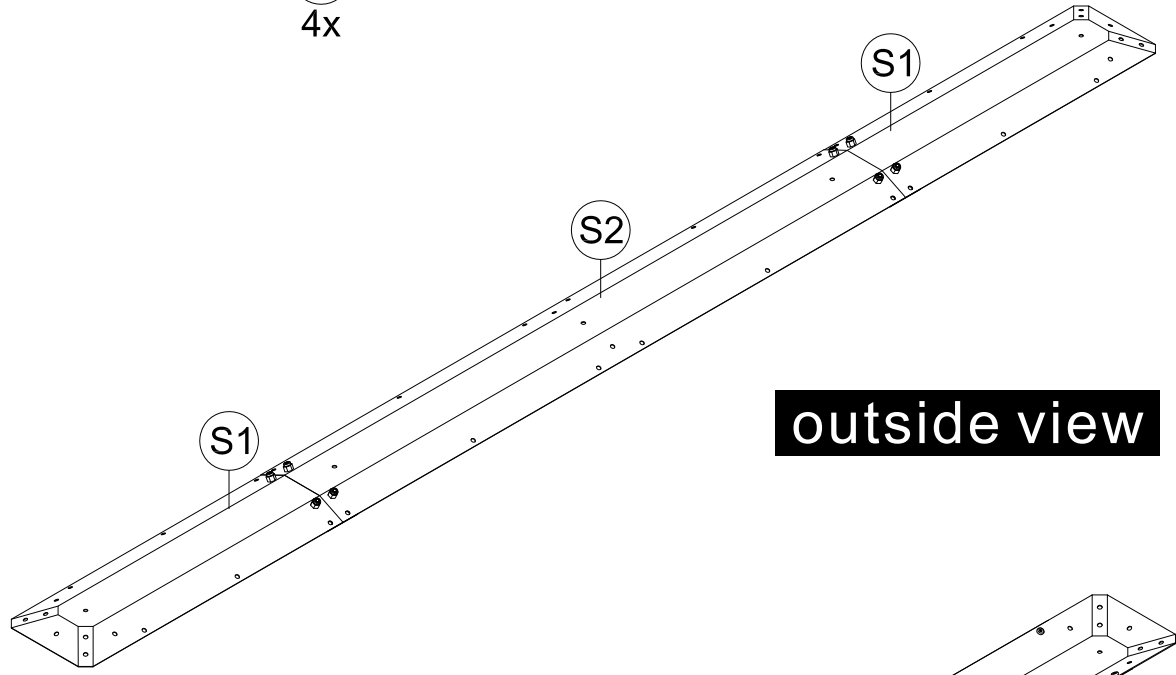
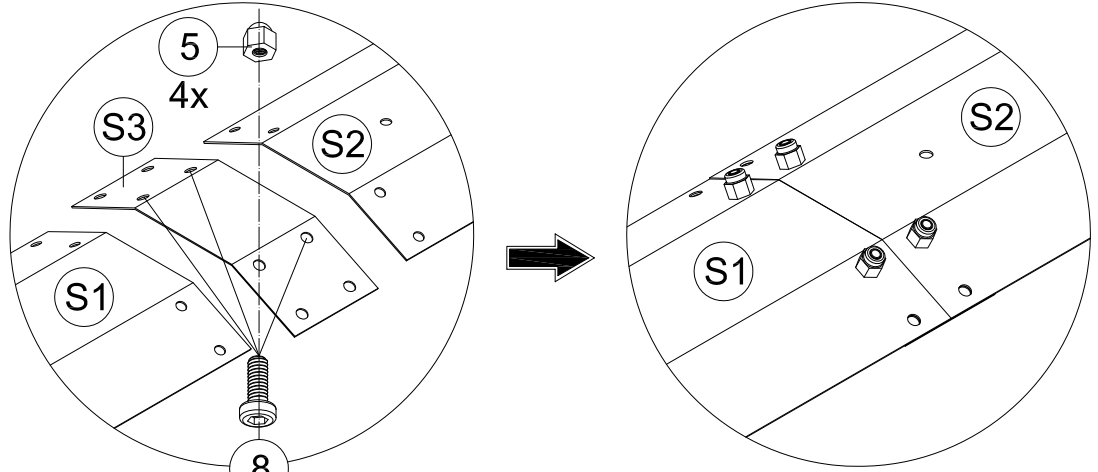
(2) Attach Part #U to Part #E with Bolt #8 .

(3) Repeat the above procedures to assemble the other 3 corner roof bars.

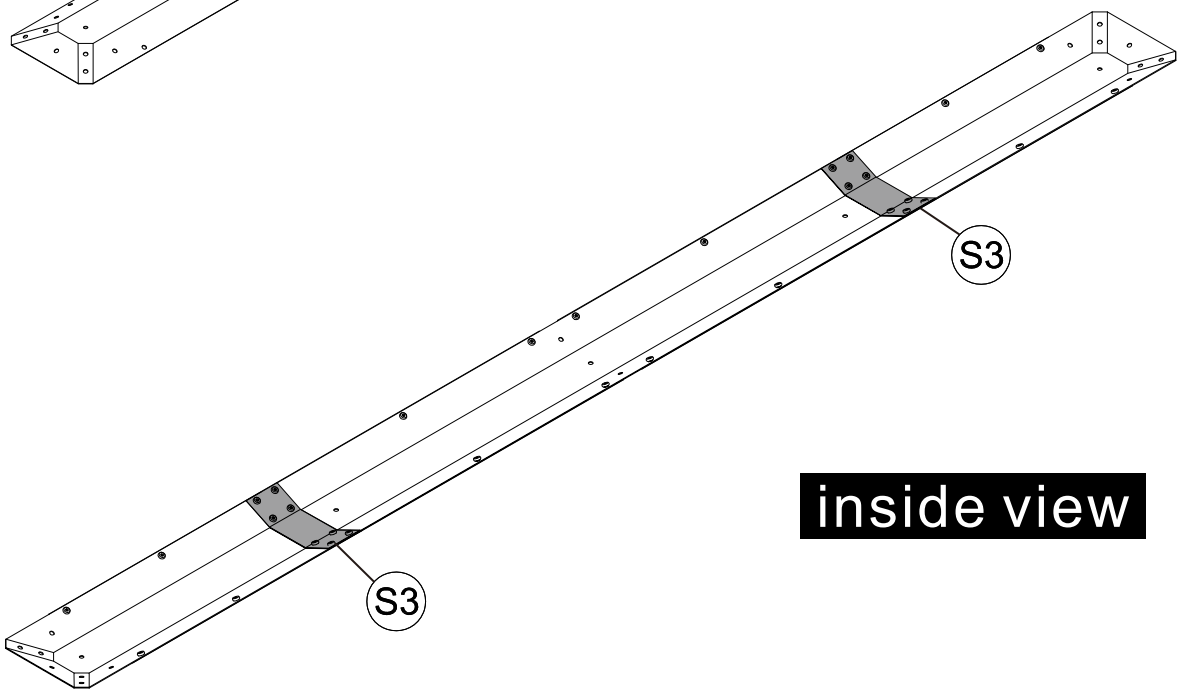
-  **(S1)** 2x
-  **(S2)** 1x
-  **(S3)** 2x
-  **(S4)** 1x
-  **(1)** 1x
-  **(5)** M6 8x
-  **(8)** M6x16 8x

Inside Roof Cover Assembly:

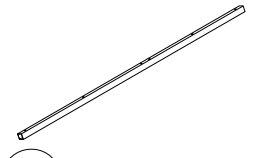
The 2 Parts #S1 and Part #S2 are connected by 2 Parts #S3, then secure with 8 Bolts #8 and nuts #5.



outside view



inside view



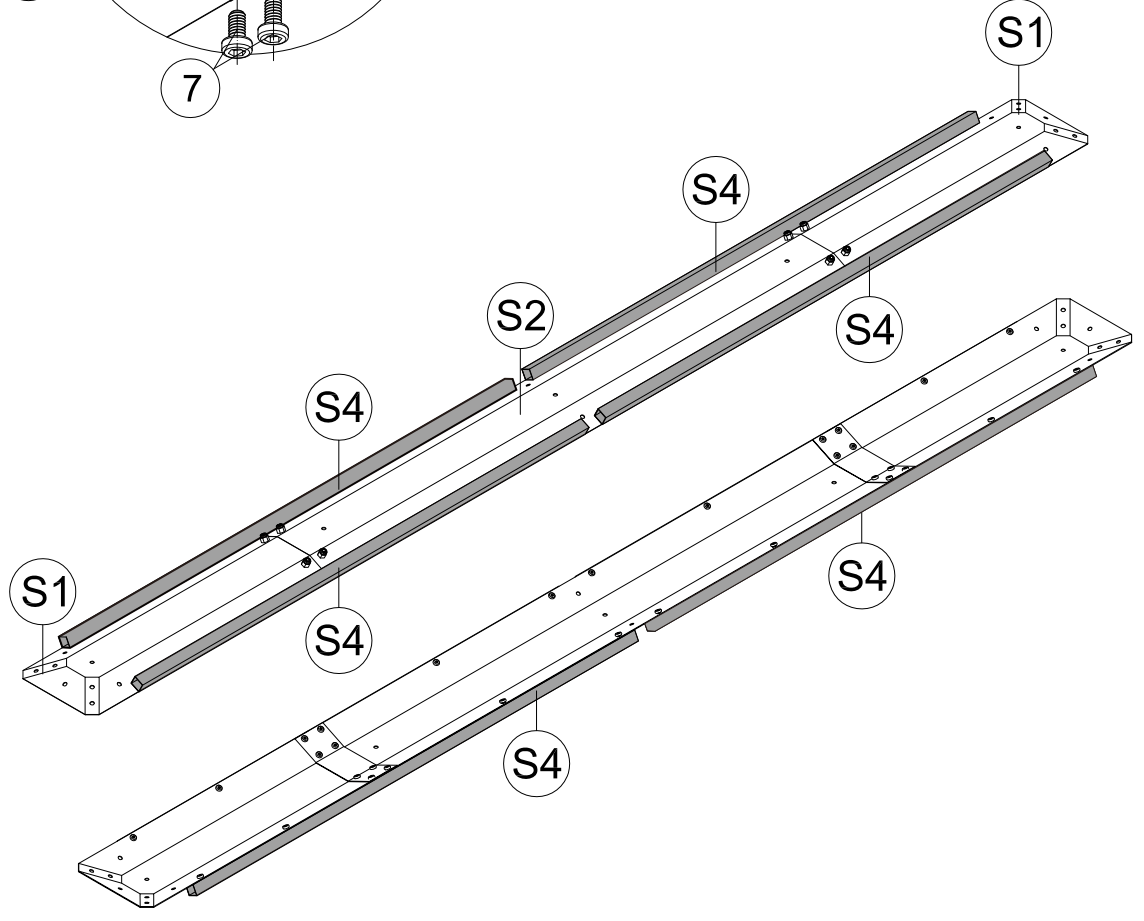
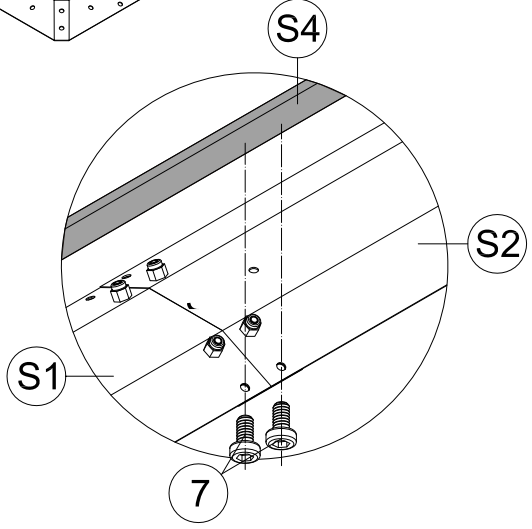
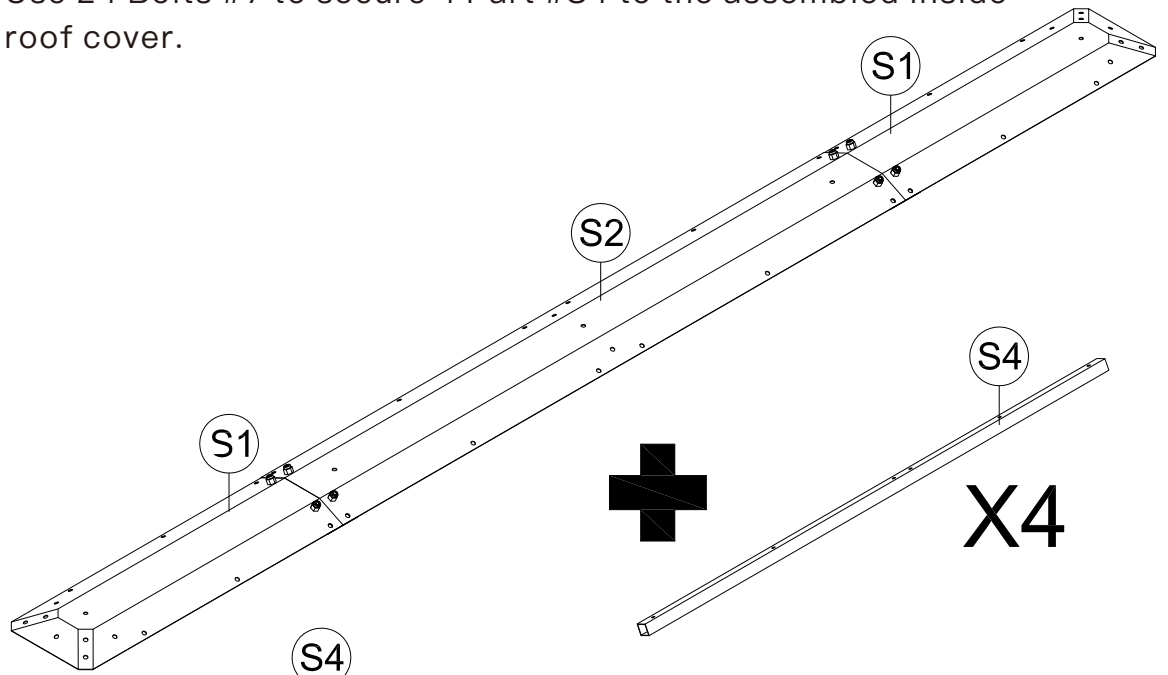
S4 4x



M6x10

7 24x

Use 24 Bolts #7 to secure 4 Part #S4 to the assembled inside roof cover.



✓ S4

1 1x

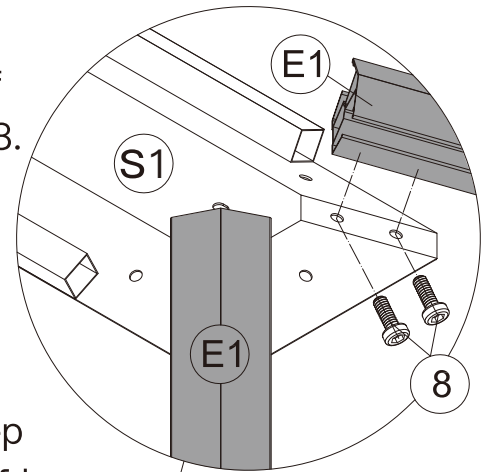


M6x16

8 16x

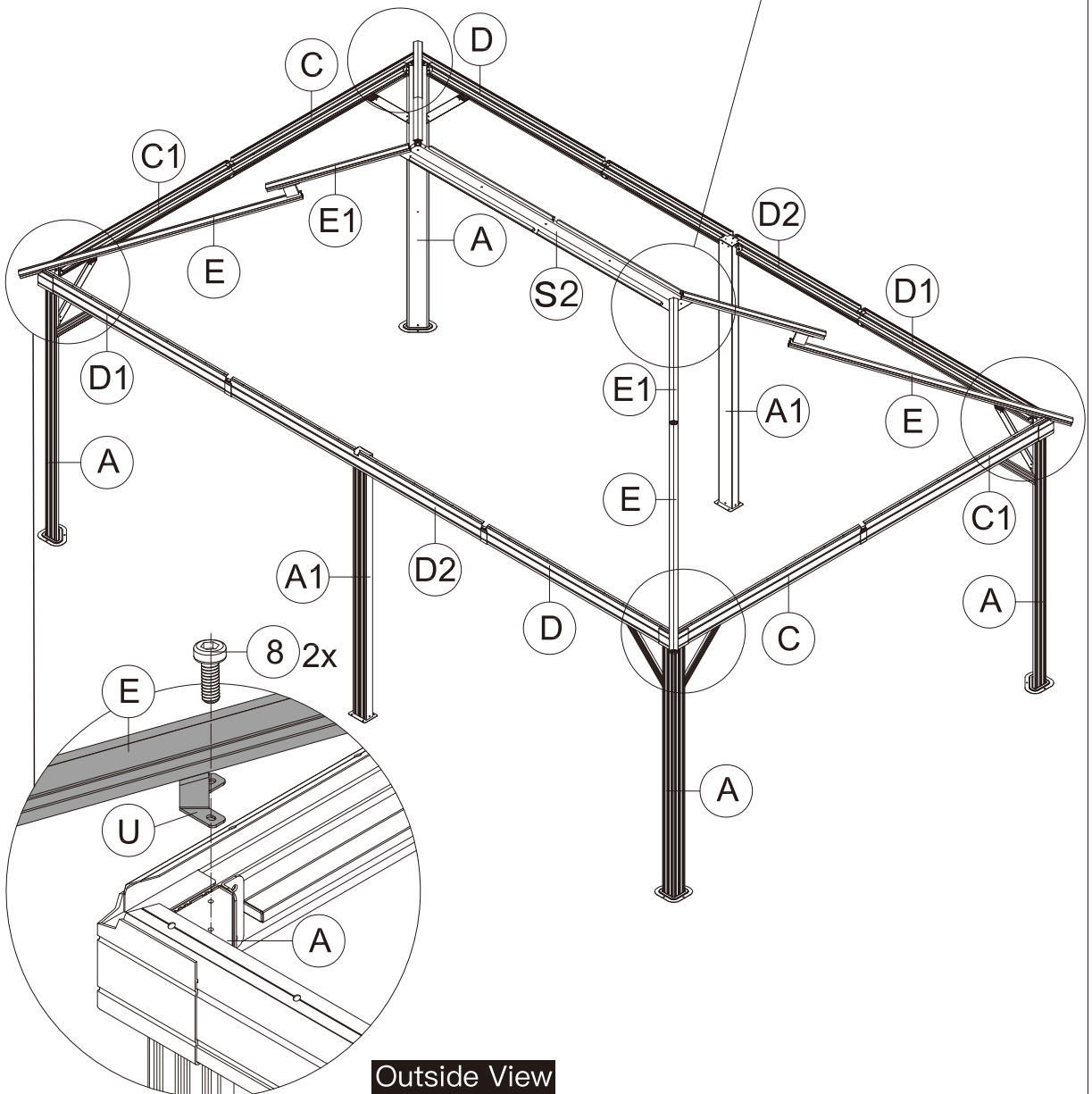
Please have a freestanding ladder ready at the center of the gazebo.

(1) Place 4 Part #E1 on the 4 corners of inside roof cover. Secure with 8 Bolts #8. (from bottom to top)



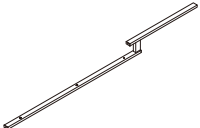
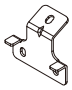




Outside View

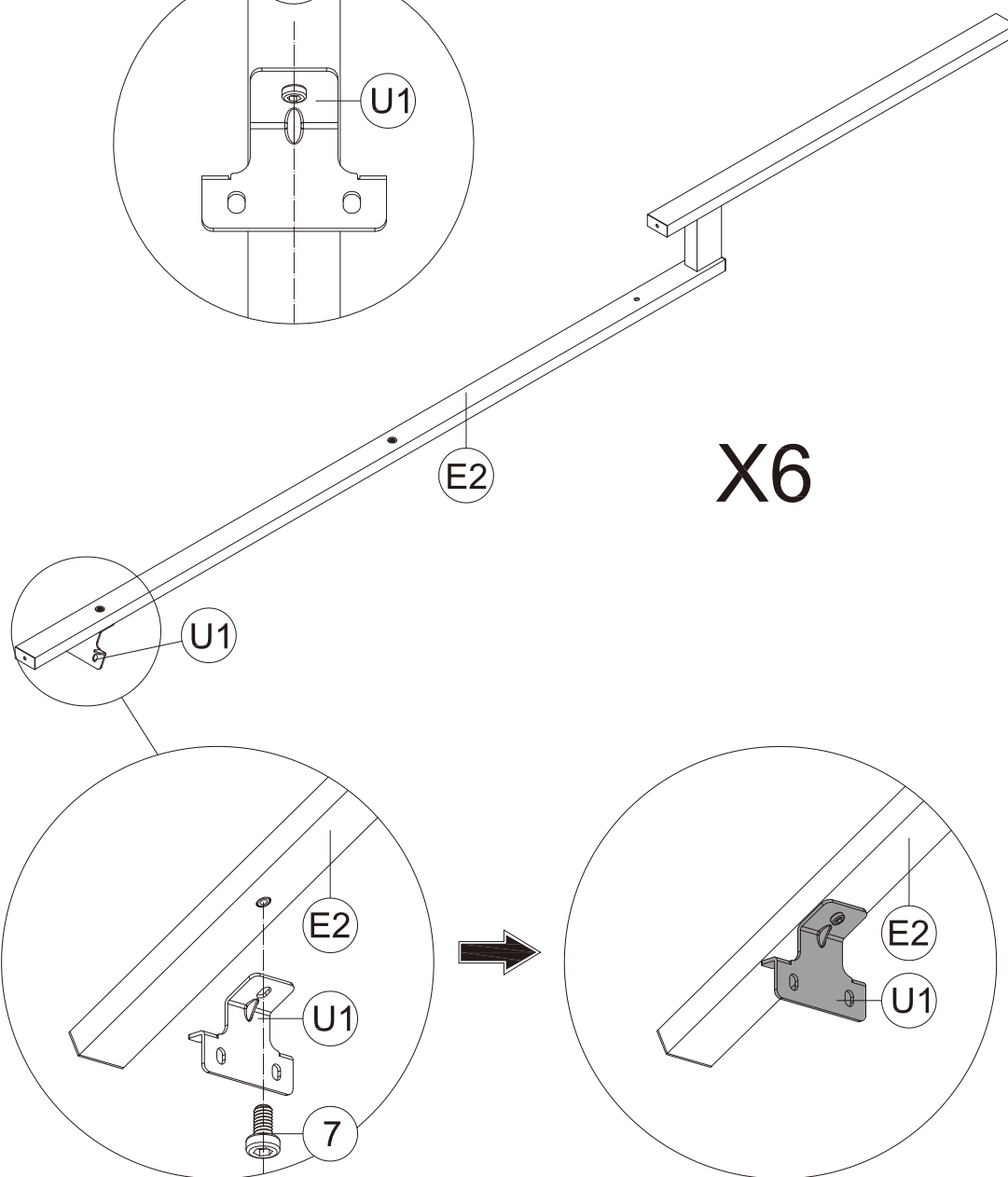
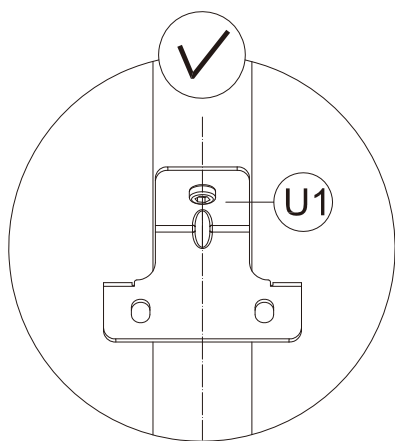
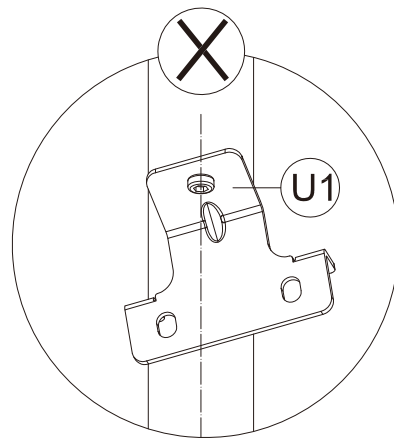
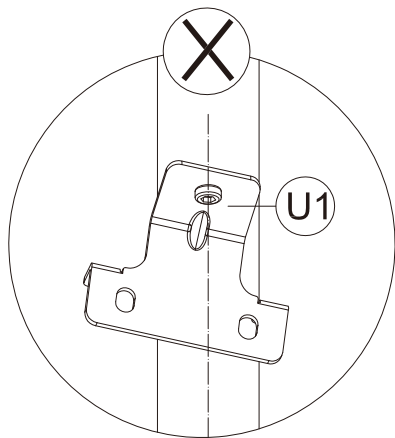
ATTENTION: You can also finish this step on the ground and then lift 4 corner roof bars and inside roof cover to the top together. (Need 2 people and 2 ladders)



Outside View

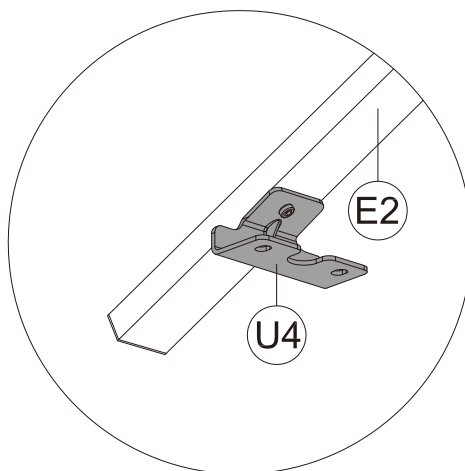
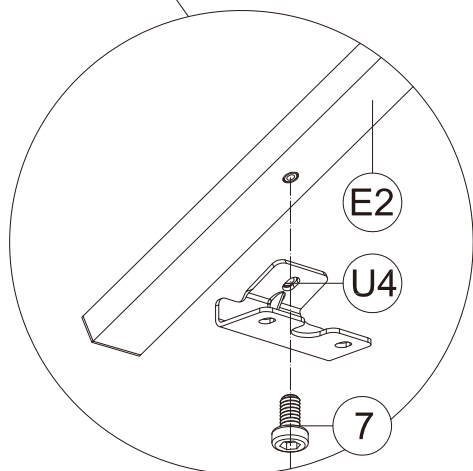
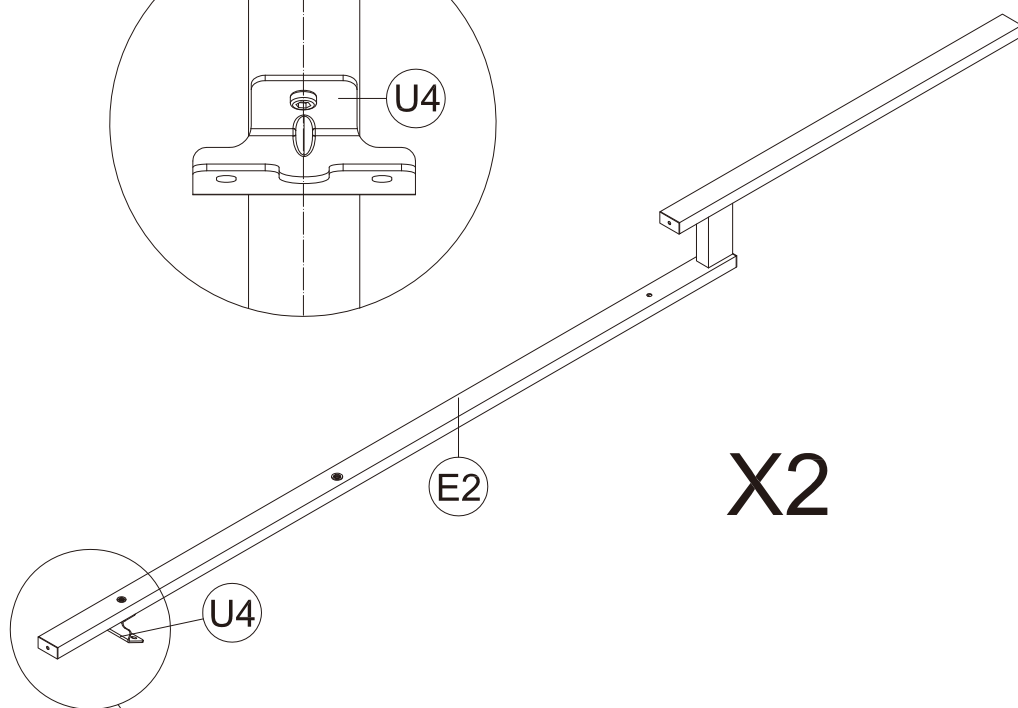
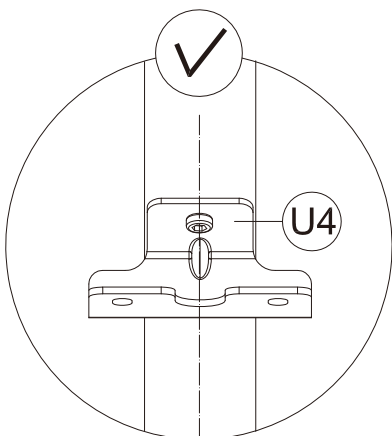
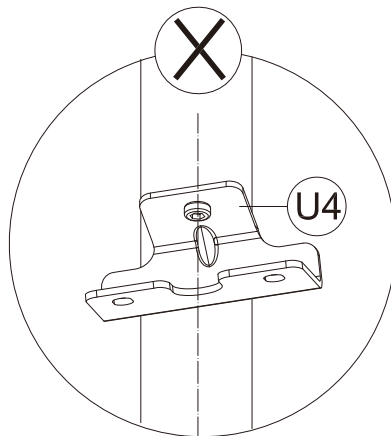
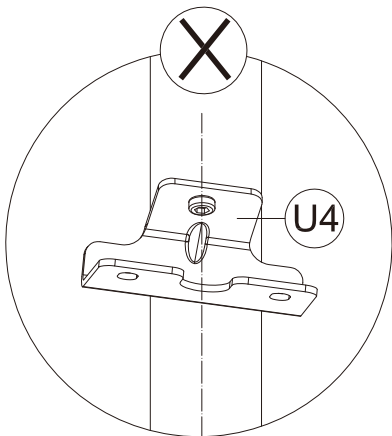
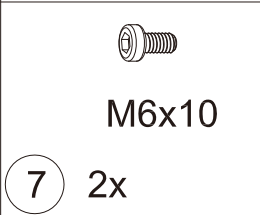
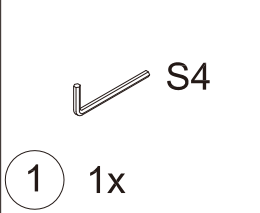
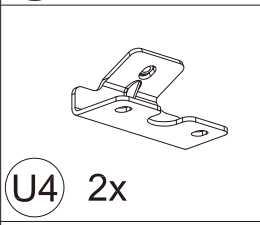
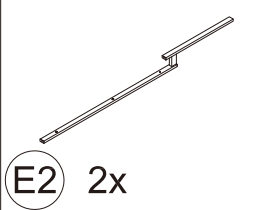
(2) Place 4 Part #E on 4 Part #A; secure with 8 Bolts #8.

-  E2 6x
-  U1 6x
-  S4
-  1 1x
-  M6x10
-  7 6x



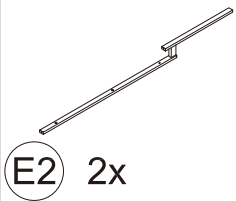
(1) Attach Part #U1 to Part #E2 with Bolt #7 .

(2) Repeat the above procedures to assemble the other 5 roof bars.



(1) Attach Part #U4 to Part #E2 with Bolt #7 .

(2) Repeat the above procedures to assemble another roof bar.



E2 2x



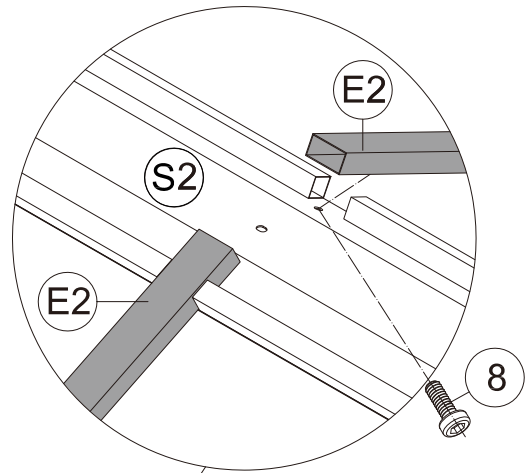
1 1x



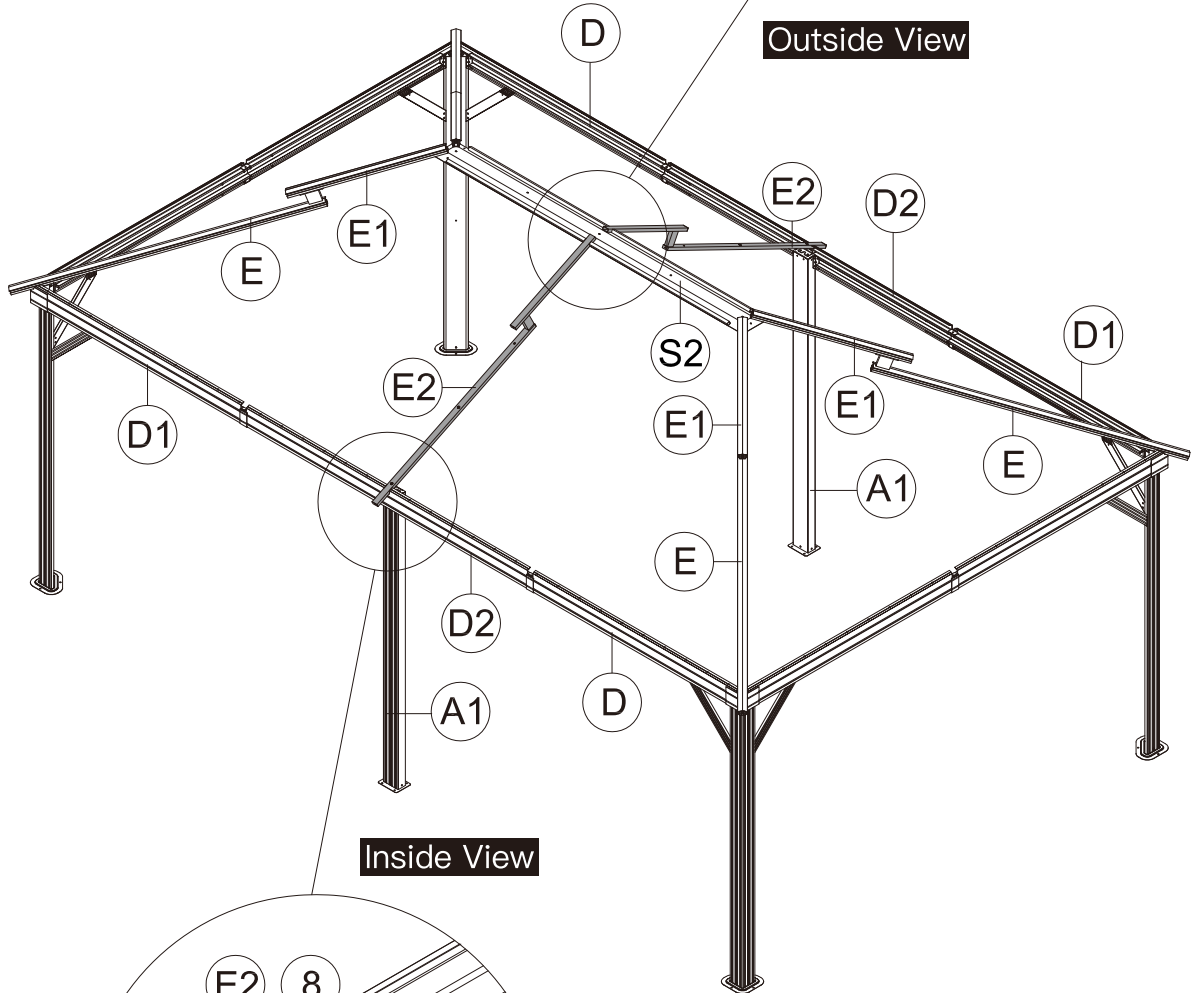
M6x16

8 6x

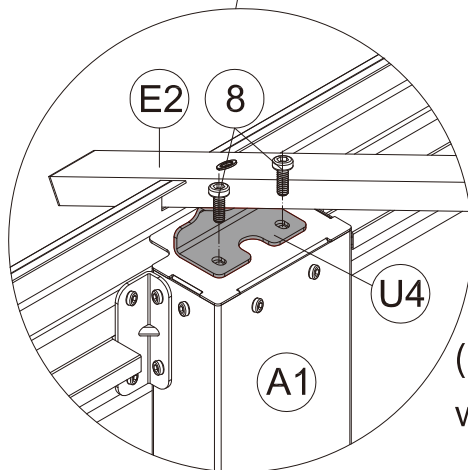
(1) Place Part #E2 on inside roof cover. Secure with Bolt #8 (from bottom to top).



Outside View

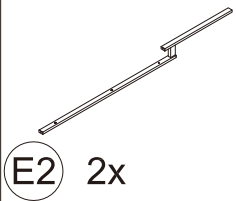


Inside View



(2) Connect Part #E2 and Part A1 with part #U4. Secure with 2 Bolts #8.

(3) Repeat the above procedures to assemble the opposite side.



E2 2x



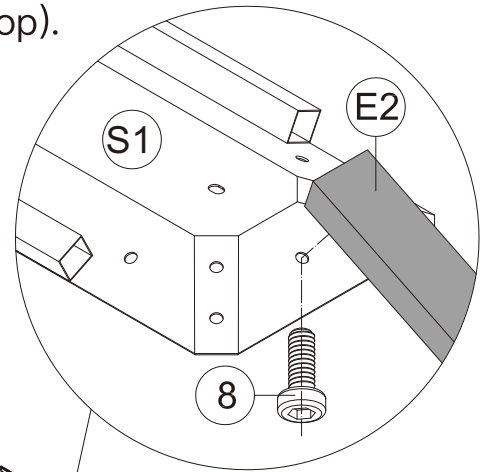
1 1x



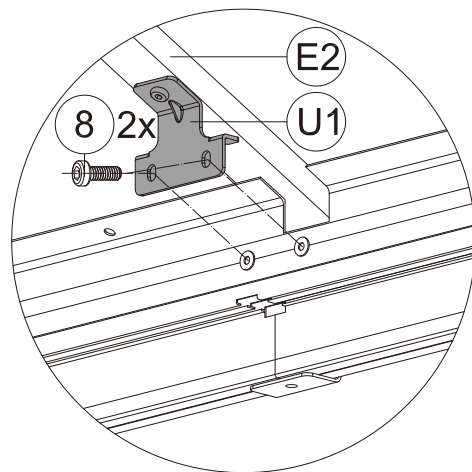
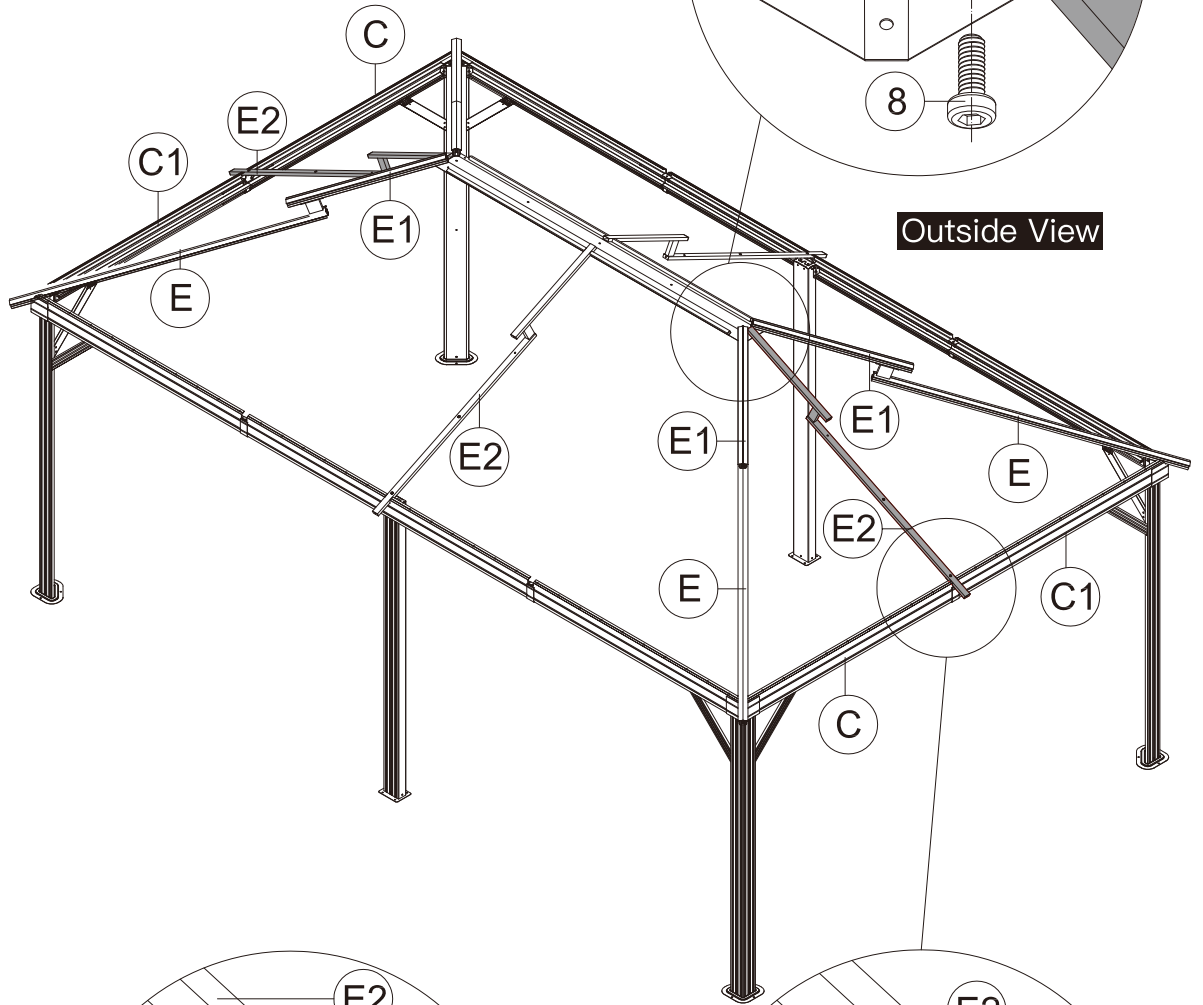
M6x16

8 6x

(1) Place Part #E2 on inside roof cover.
Secure with Bolt #8 (from bottom to top).



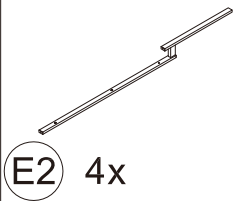
Outside View



Inside View

(2) Connect Part #E2 and the Assembled Beam (C&C1) with
part #U1. Secure with 2 Bolts #8.

(3) Repeat the above procedures to assemble the opposite side.



E2 4x



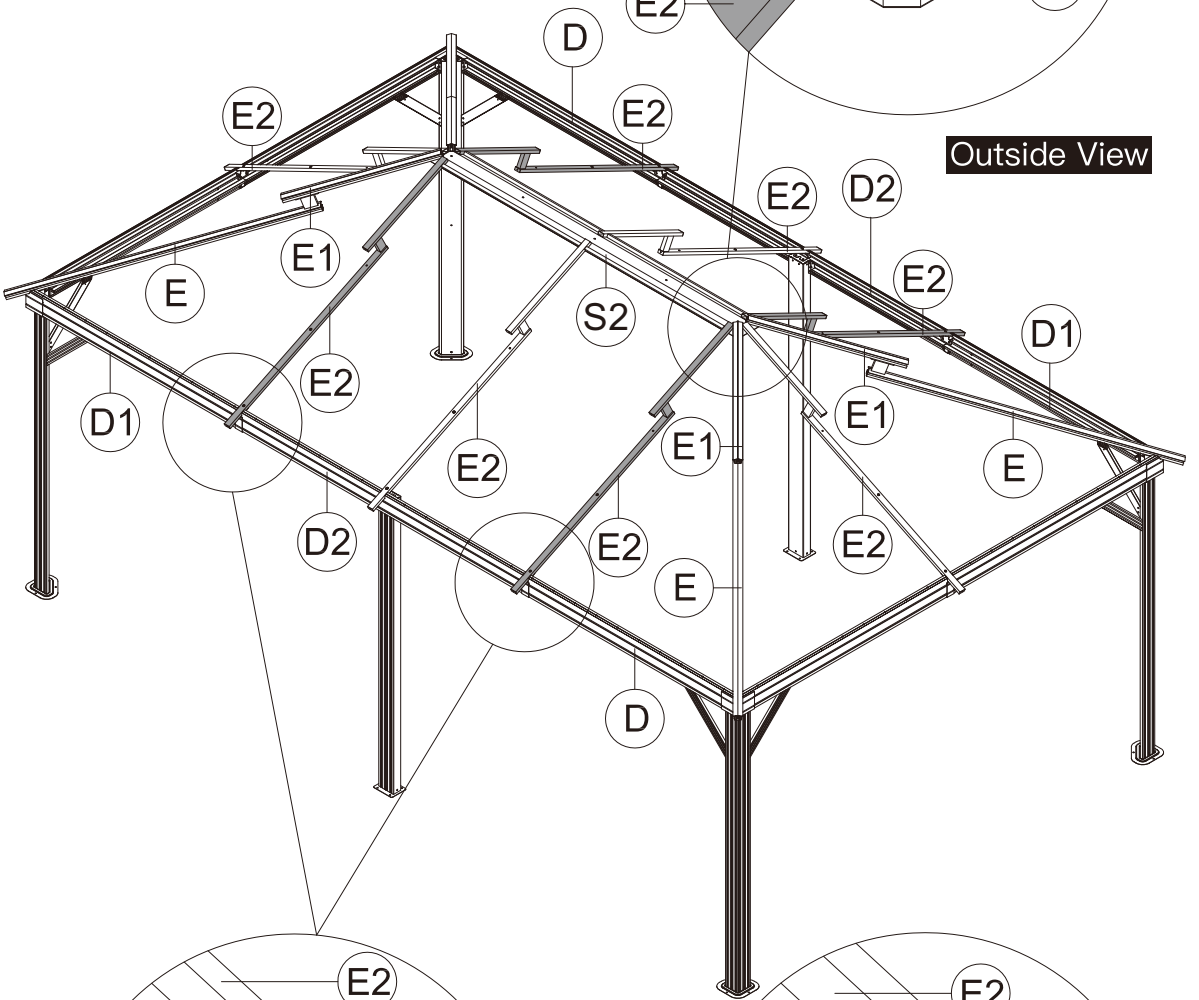
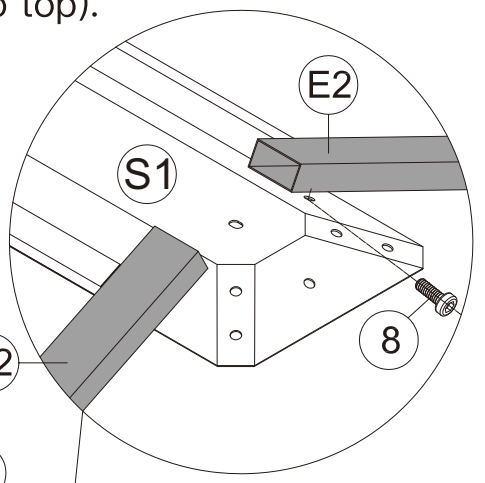
1 1x



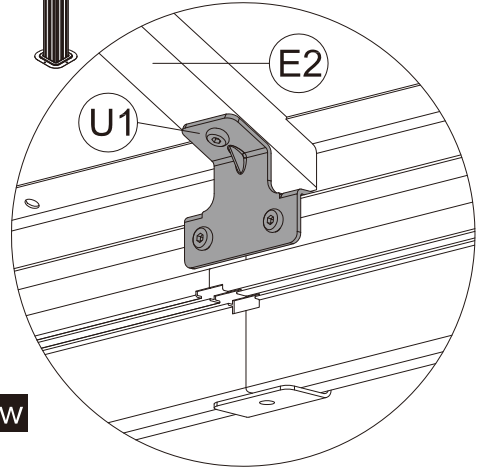
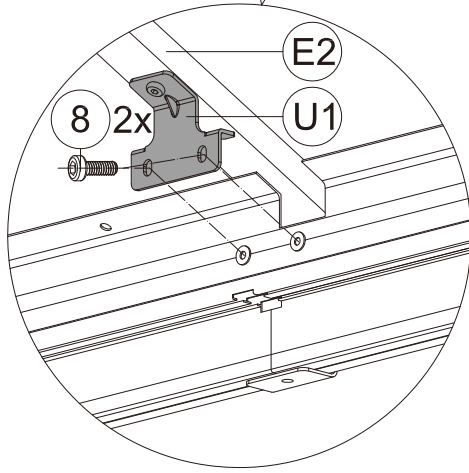
M6x16

8 12x

(1) Place Part #E2 on Part #S.
Secure with Bolts #8 (from bottom to top).



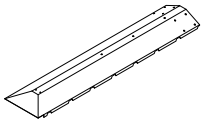
Outside View



Inside View

(2) Connect Part #E2 and the Assembled Beam (D1&D2&D) with part #U1. Secure with 2 Bolts #8.

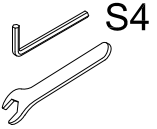
(3) Repeat the above procedures to assemble the opposite side.



S5 2x



S6 2x



1 1x



M6

5 16x

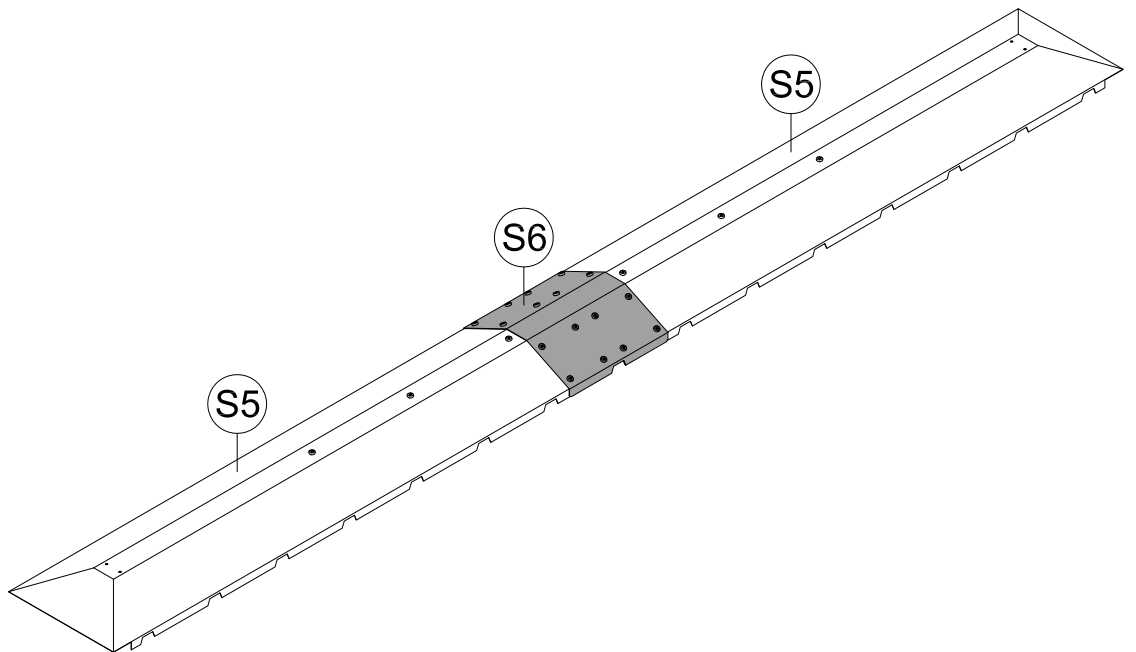
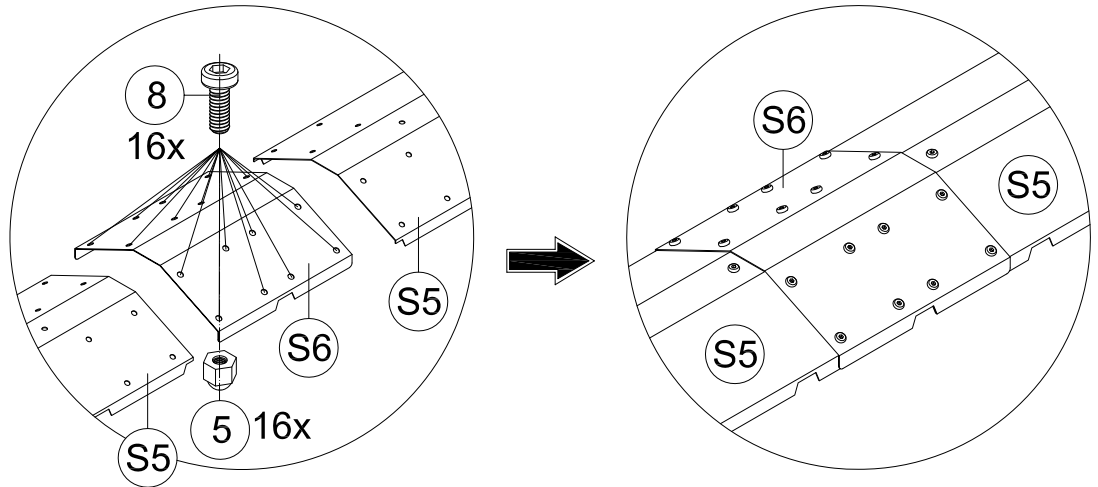


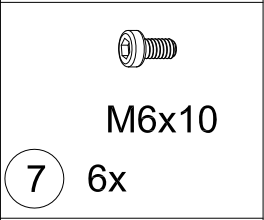
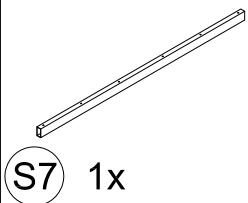
M6x16

8 16x

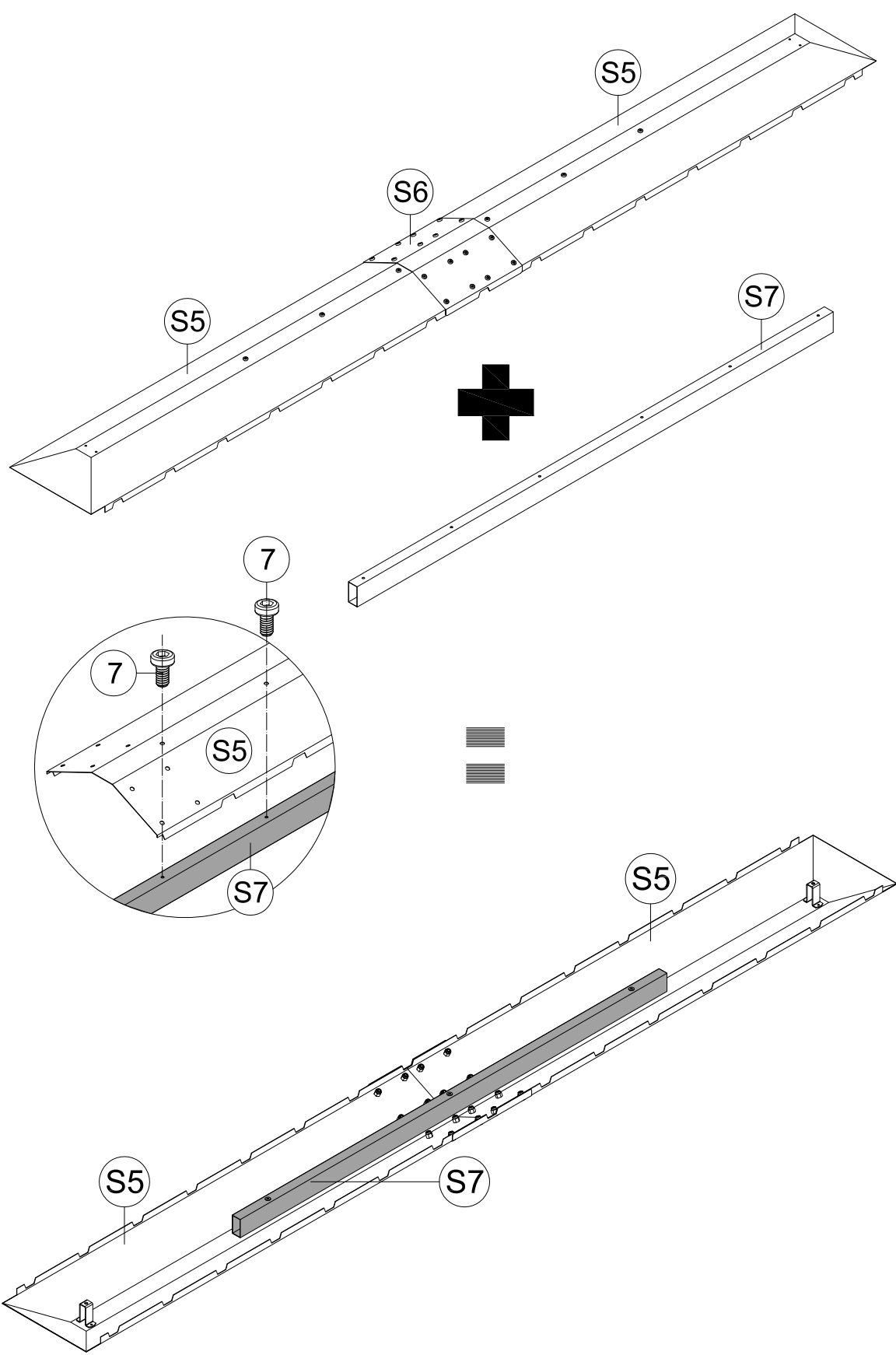
Outside Roof Cover Assembly:

Cover Part #S6 on the two Parts #S5,
align the holes and secure with 16 Bolts #8 and nuts #5.



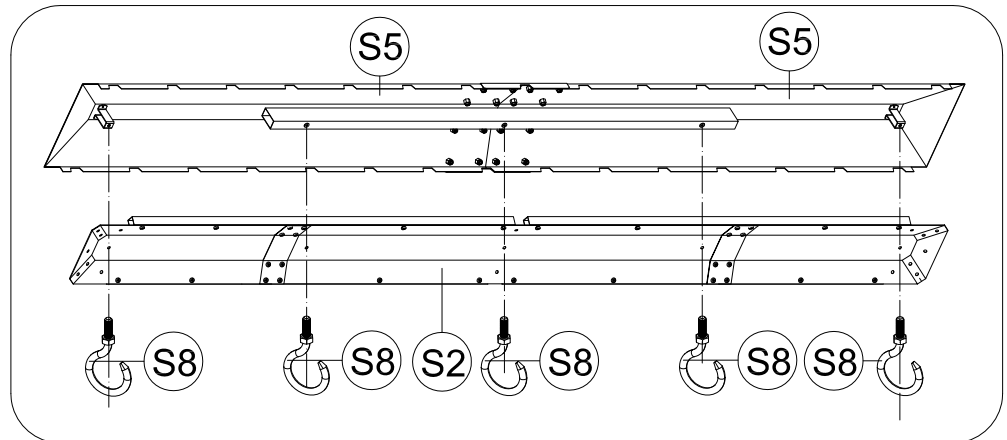


Place Part #S7 on the bottom of the outside roof cover, and secure with 6 Bolts #7 (from outside).

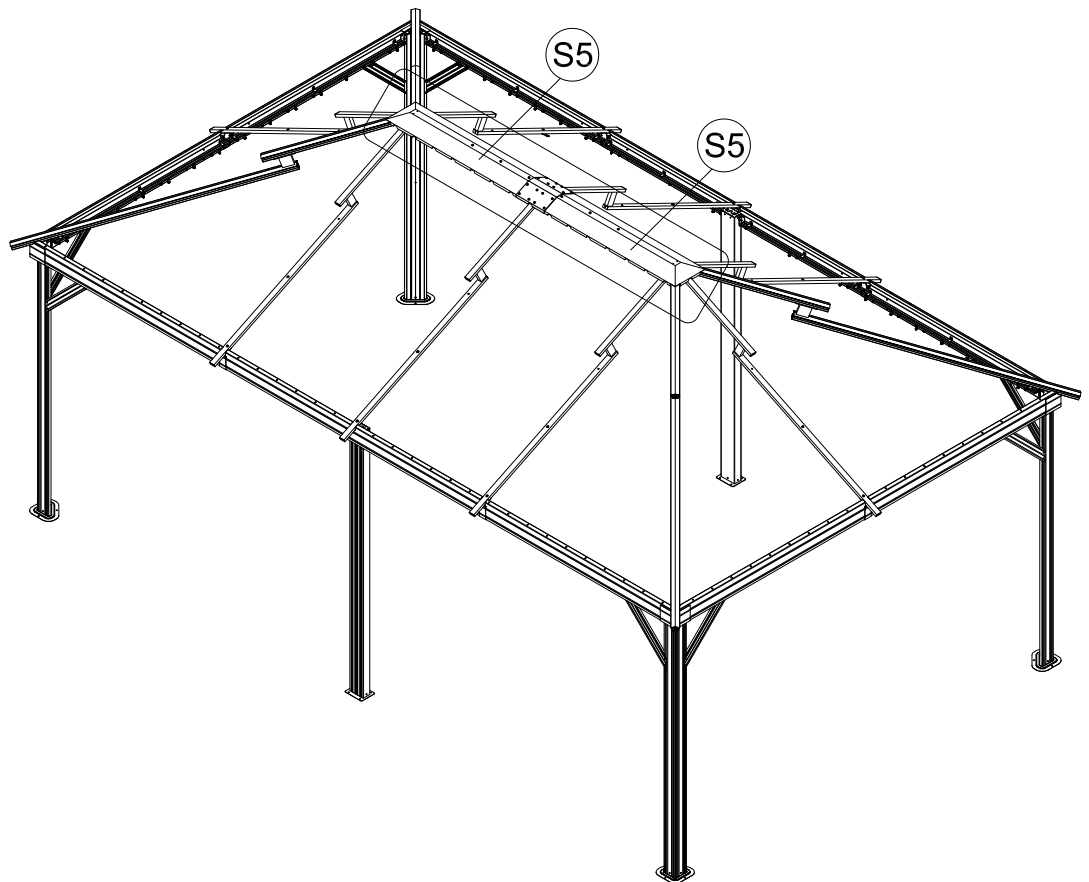


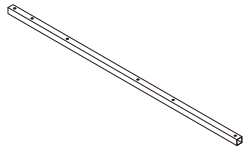


S8 5x

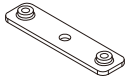


Place the outside roof cover on the inside roof cover and align the holes;
Secure 5 J-Hooks #S8 to the Inside & Outside Roof Cover (From bottom to top).





G1 4x



U3 6x



1 1x



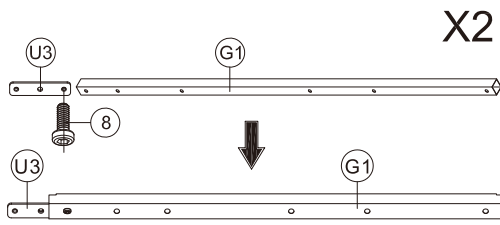
M6x10

7 6x

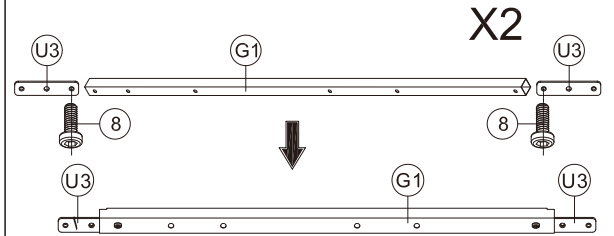


M6x16

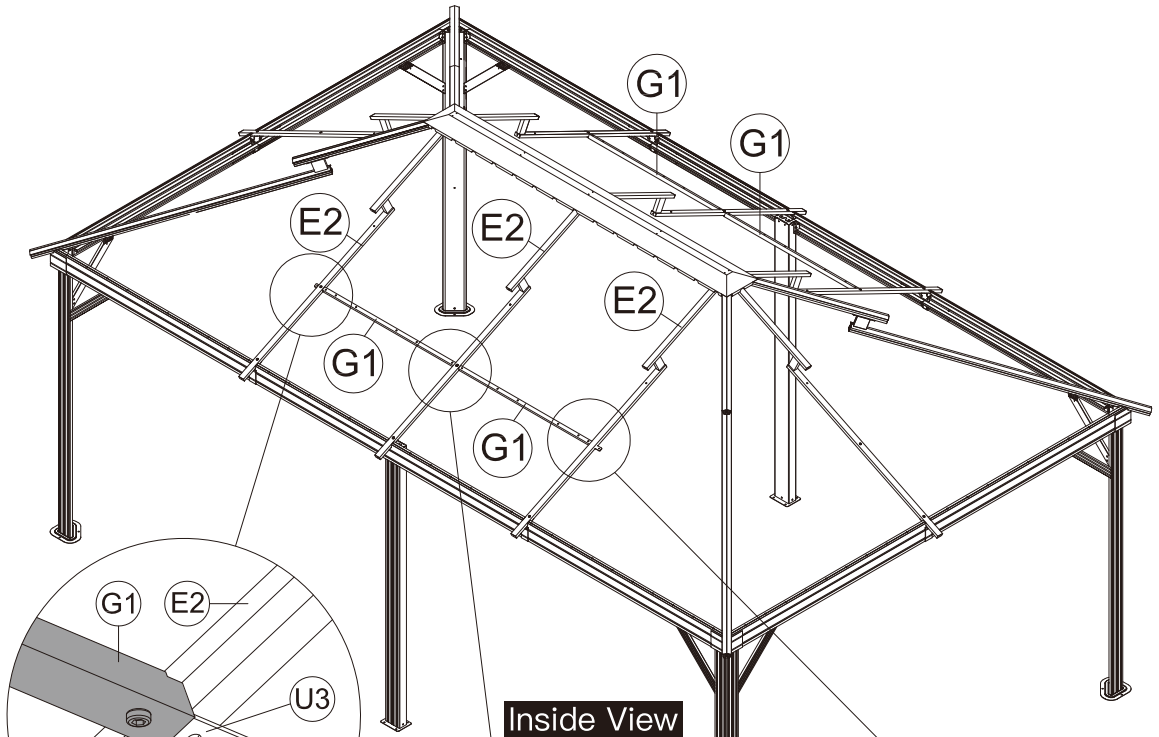
8 8x



(1) Insert Part #U3 into Part #G1 and secure with Bolt #8.



(2) Insert 2 Part #U3 into Part #G1 and secure with 2 Bolts #8.



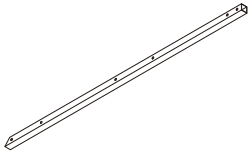
(3) Attach Part #G1 and Part #U3 to Part #E2 with Bolt #7.

(4) Attach Part #G1 and Part #U3 to Part #E2 with Bolt #7 and Bolt #8.

(5) Attach Part #G1 and Part #U3 to Part #E2 with Bolt #7.



(6) Repeat the above procedures to assemble the opposite side.



G 4x

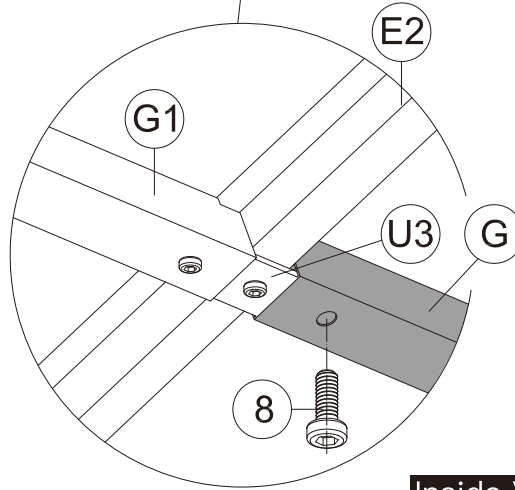
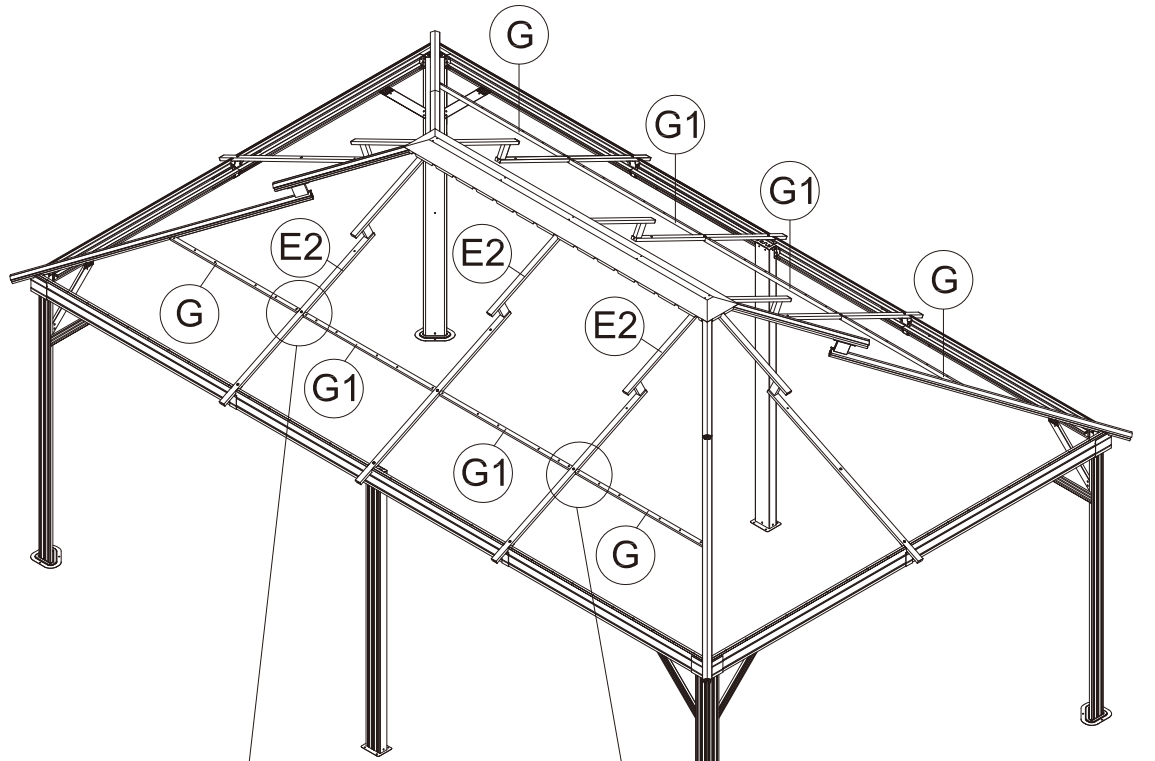


1 1x

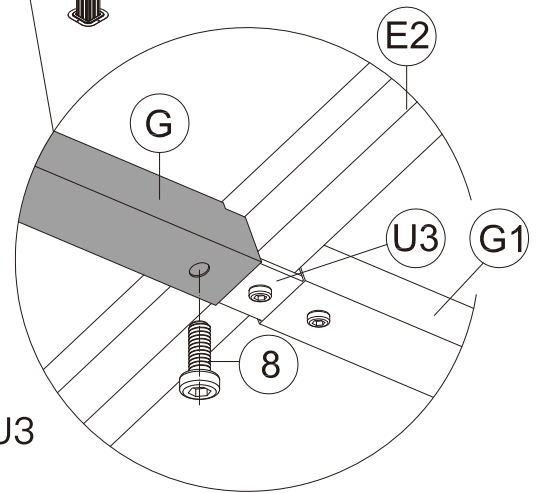


M6x16

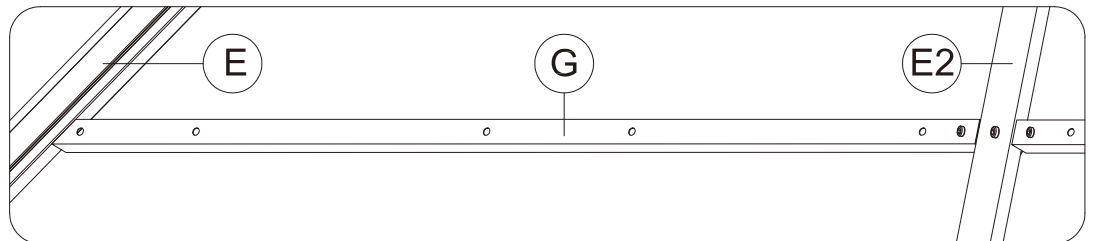
8 4x



Inside View

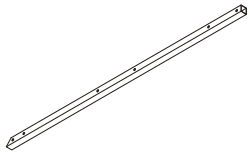


(1) Attach Part #G and Part #U3 to Part #E2 with Bolt #8

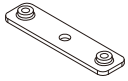


Outside View

(2) Repeat the above procedures to assemble the opposite side.



F 4x



U3 2x



1 1x



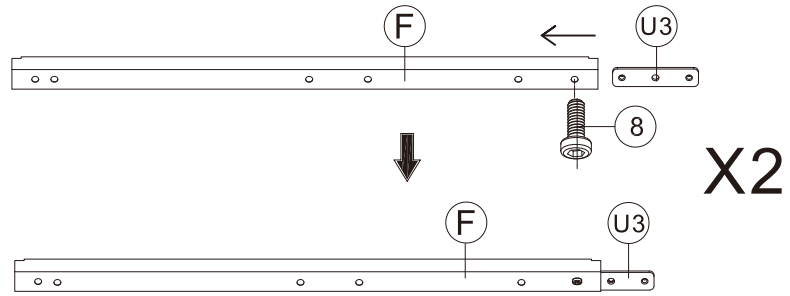
M6x10

7 2x

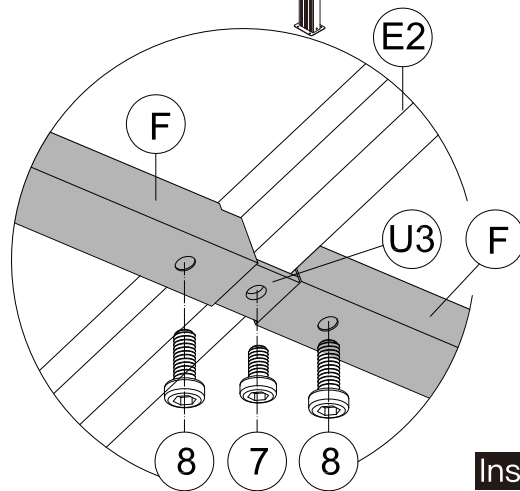
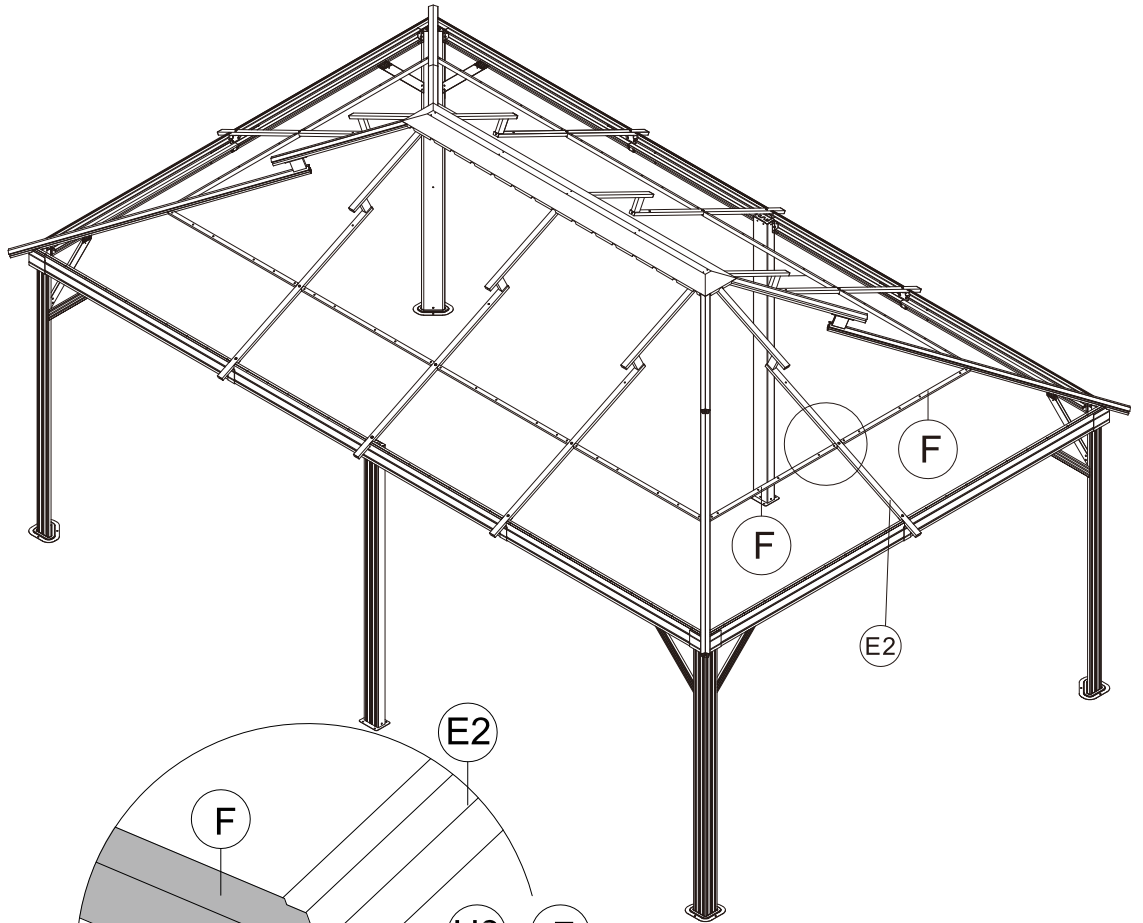


M6x16

8 4x

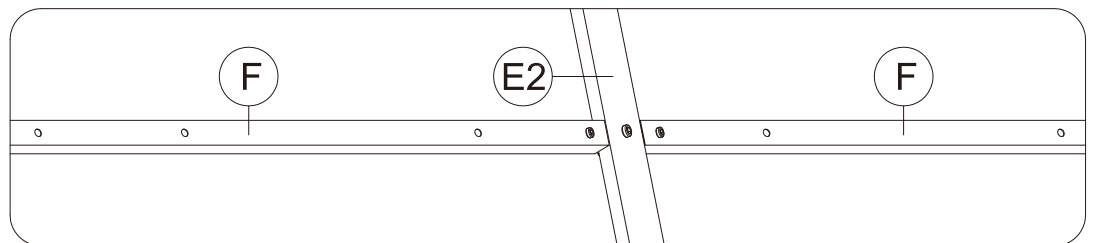


(1) Insert Part #U3 into Part #F and secure with Bolt #8.



Inside View

(2) Attach 2 Part #F and Part #U3 to Part #E2 with Bolt #7 and Bolt #8.



Outside View

(3) Repeat the above procedures to assemble the opposite side.



U2 4x

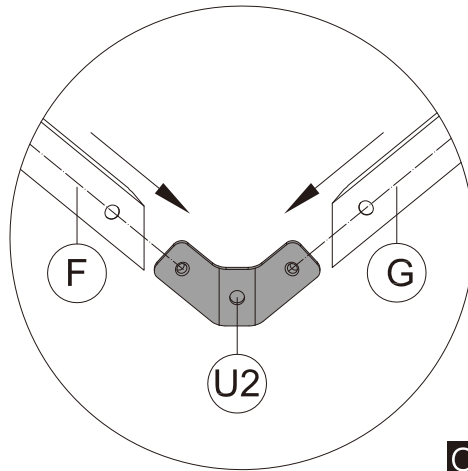
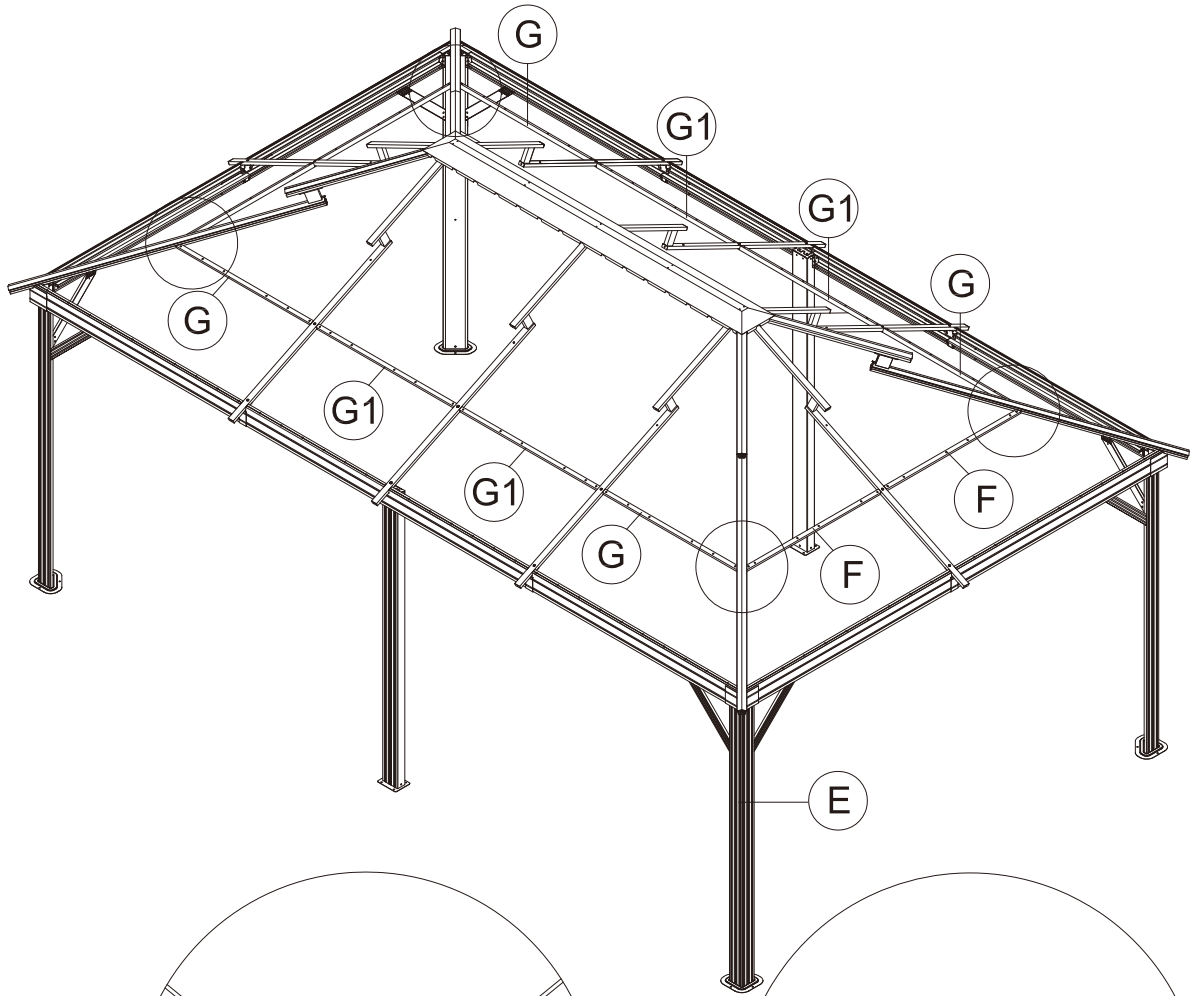


1 1x

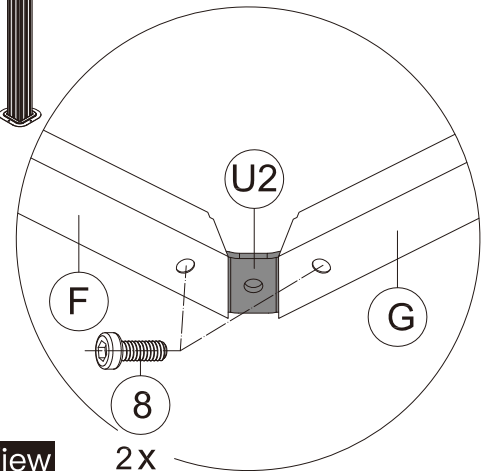


M6x16

8 12x



Outside View

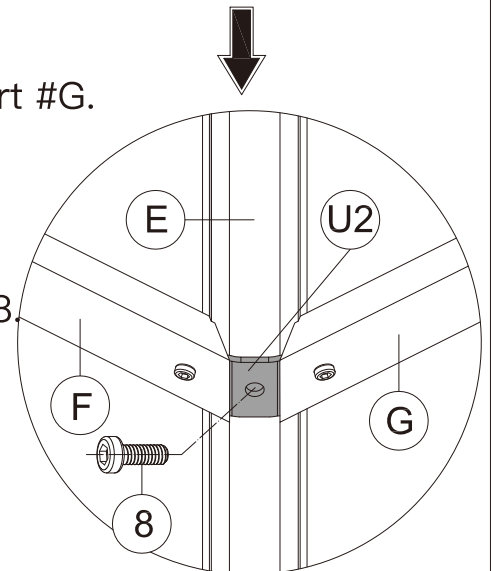


2x

(1) Insert Part #U2 into Part #F and Part #G.

(2) Secure with 2 Bolts #8.

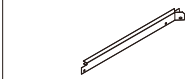
(3) Secure them to Part #E with Bolt #8.



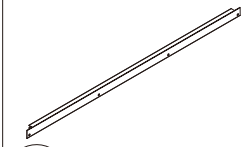
(4) Repeat the above procedures to assemble the other 3 sides.



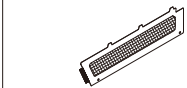
J1 2x



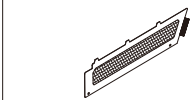
J2 2x



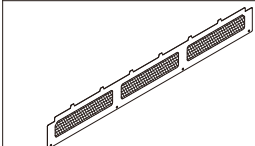
J3 4x



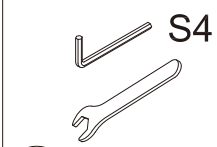
Q1 2x



Q2 2x



Q3 4x



1 1x



5 12x

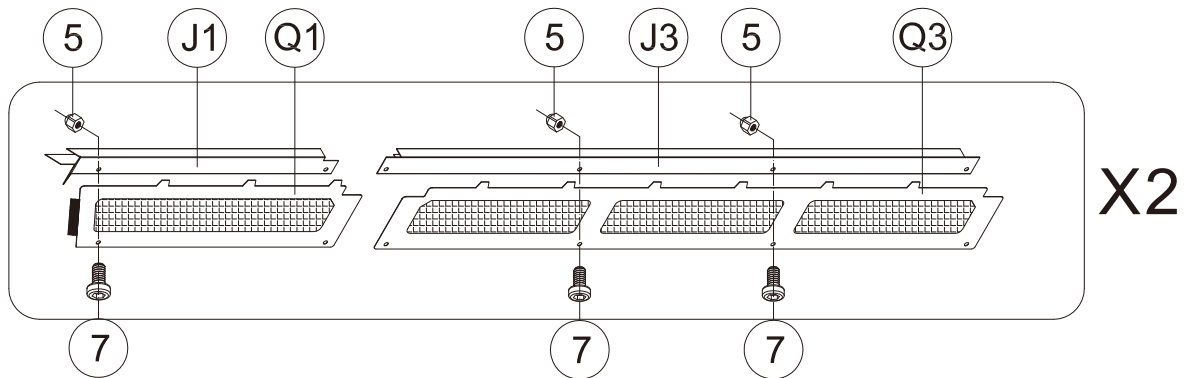


7 12x

37

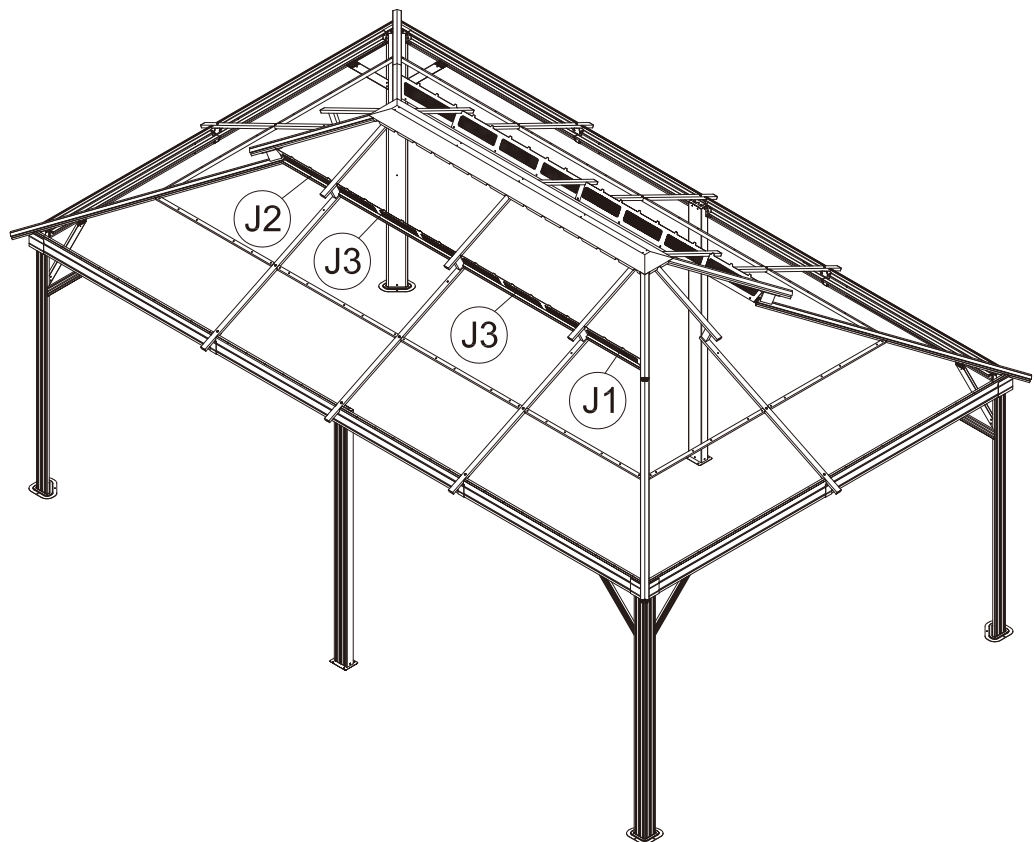
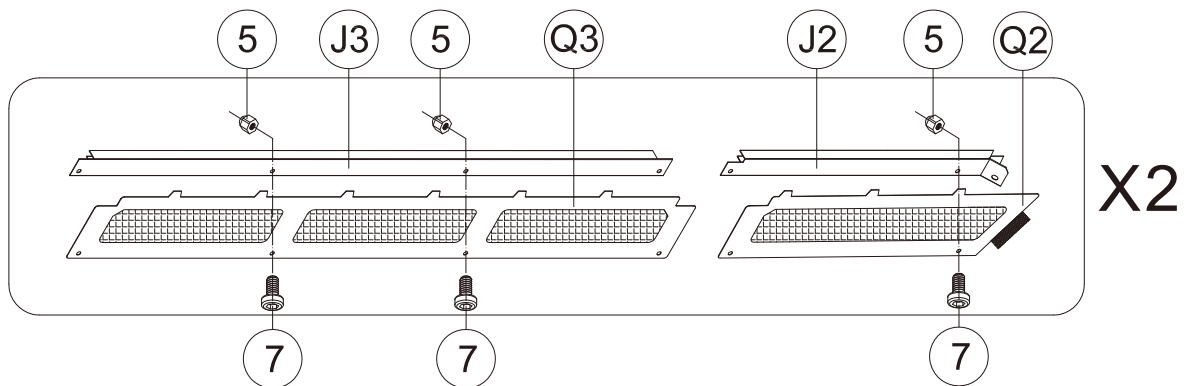
(1) Connect Part #J1 and Part #Q1 with 1 Bolt #7 and 1 Nut #5.

(2) Connect Part #J3 and Part #Q3 with 2 Bolts #7 and 2 Nuts #5.



(3) Connect Part #J3 and Part #Q3 with 2 Bolts #7 and 2 Nuts #5.

(4) Connect Part #J2 and Part #Q2 with 1 Bolt #7 and 1 Nut #5.

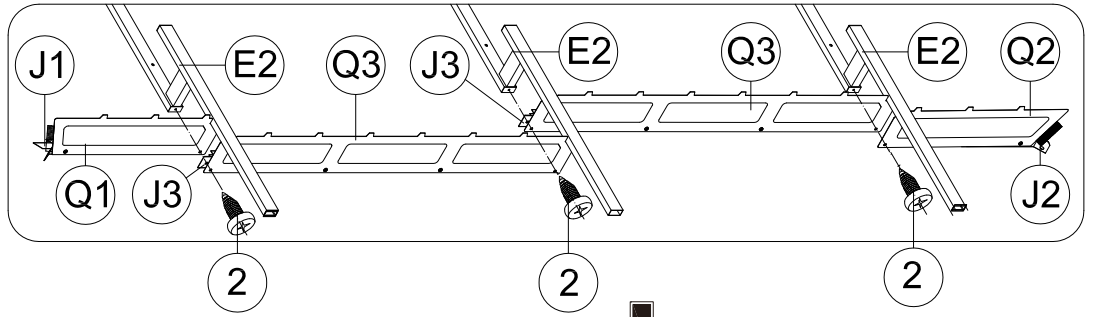


(5) Repeat the above procedures to assemble the opposite side.

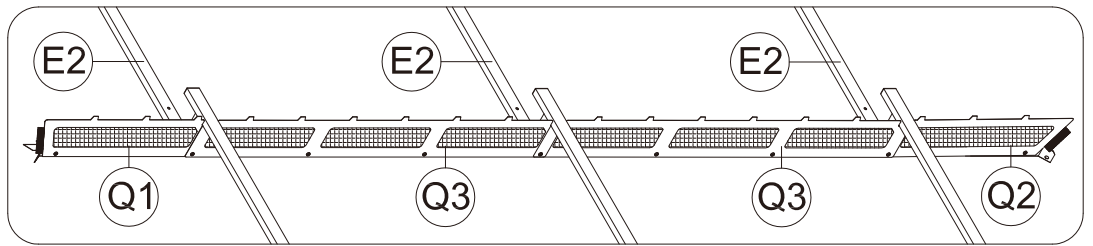


ST6.3x15

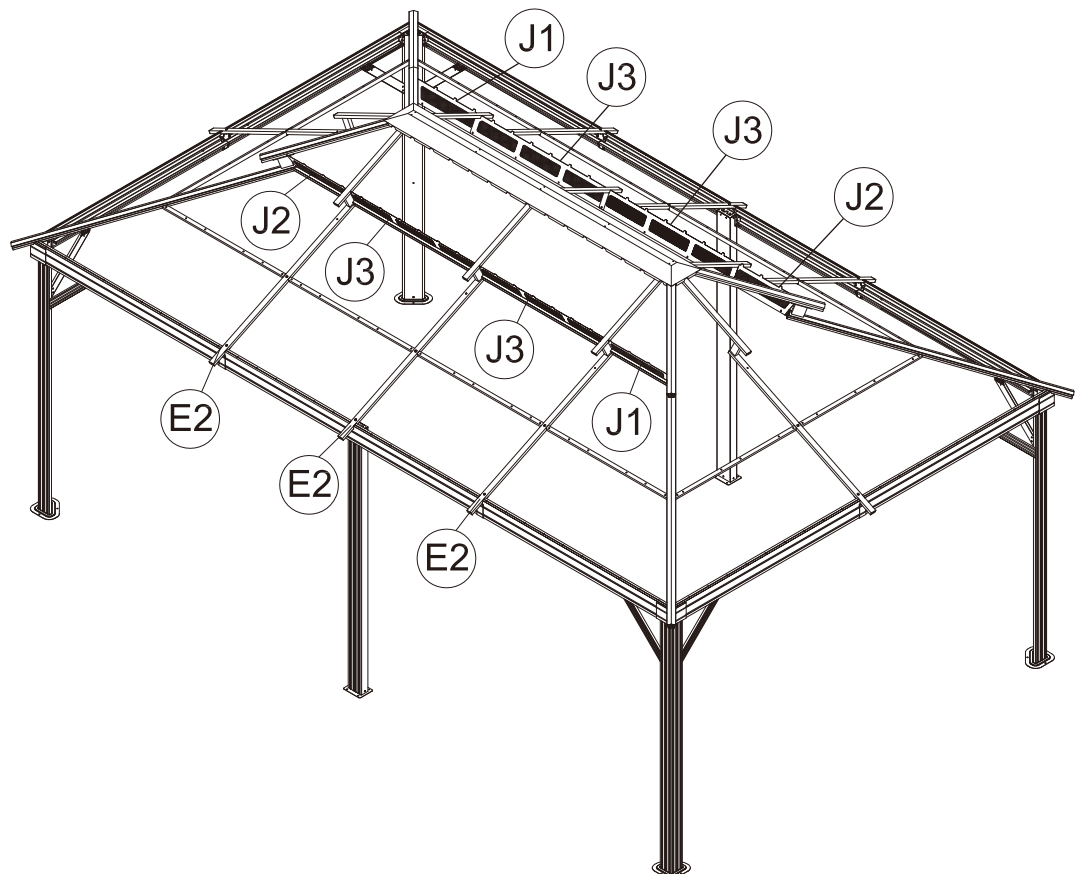
2 6x



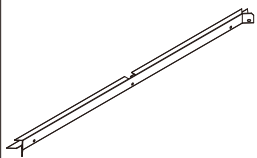
Inside View



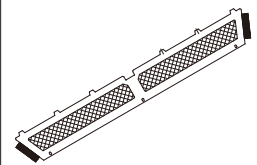
(1) Place the Assembled J1 & Q1, J2 & Q2 and J3 & Q3 on Part #E2, securing with 3 Self-tapping Screw #2.



(2) Repeat the above procedures to assemble the opposite side.



J 2x



Q 2x



1 1x



ST6.3x15

2 2x



M6

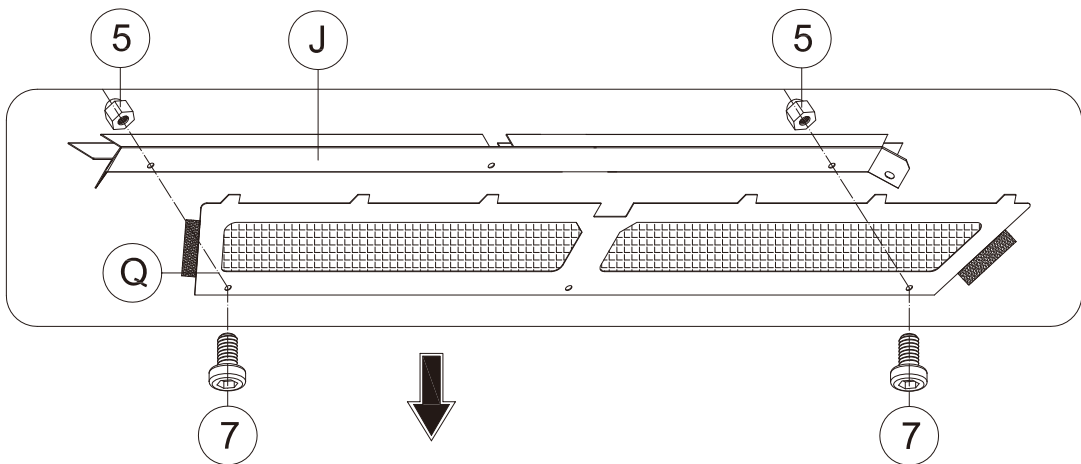
5 4x



M6x10

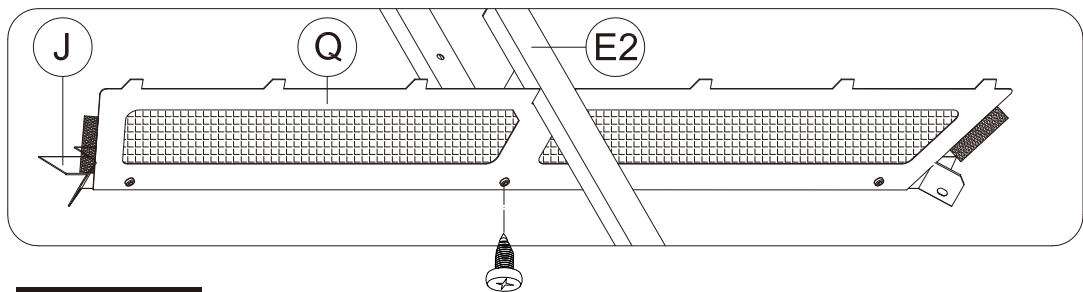
7 4x

(1) Connect Part #J and Part #Q with 2 Bolts #7 and 2 Nuts #5.



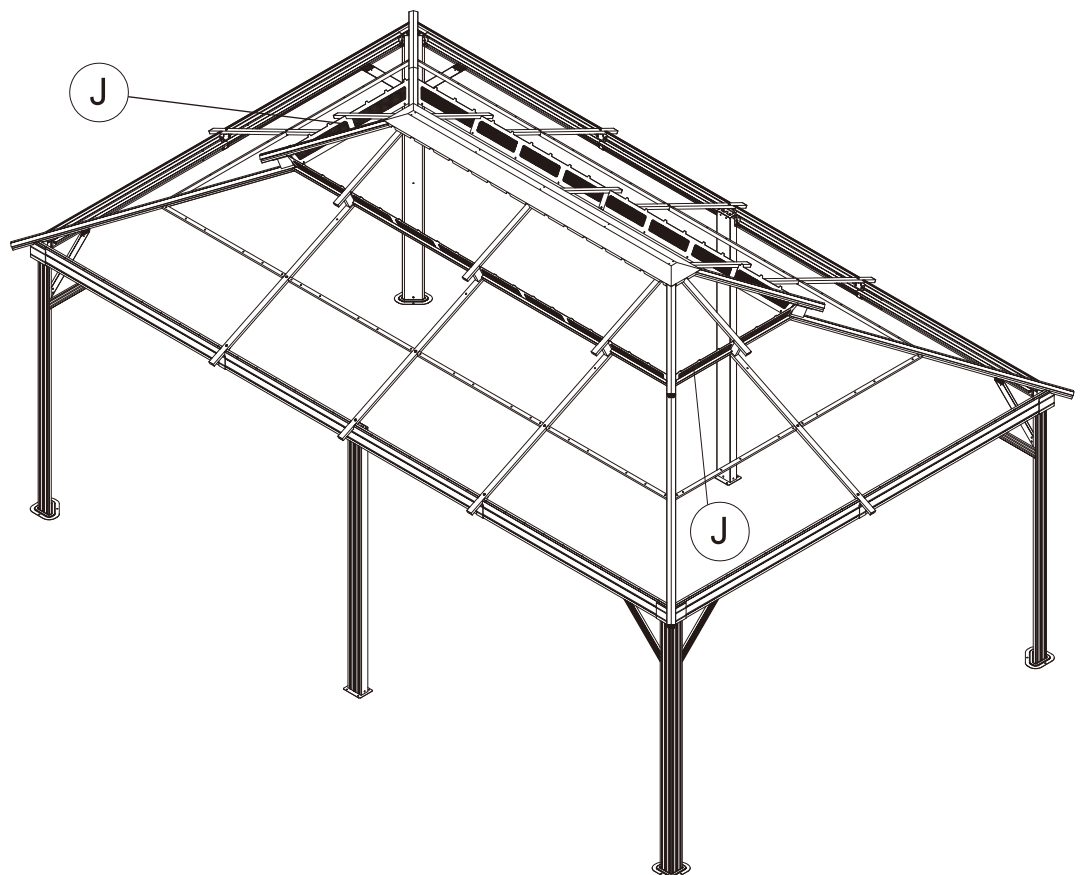
X2

(2) Place the Assembled Part #J & #Q on Part #E2, securing with 1 Self-tapping Screw #2.



X2

Inside View



(3) Repeat the above procedures to assemble the opposite side.



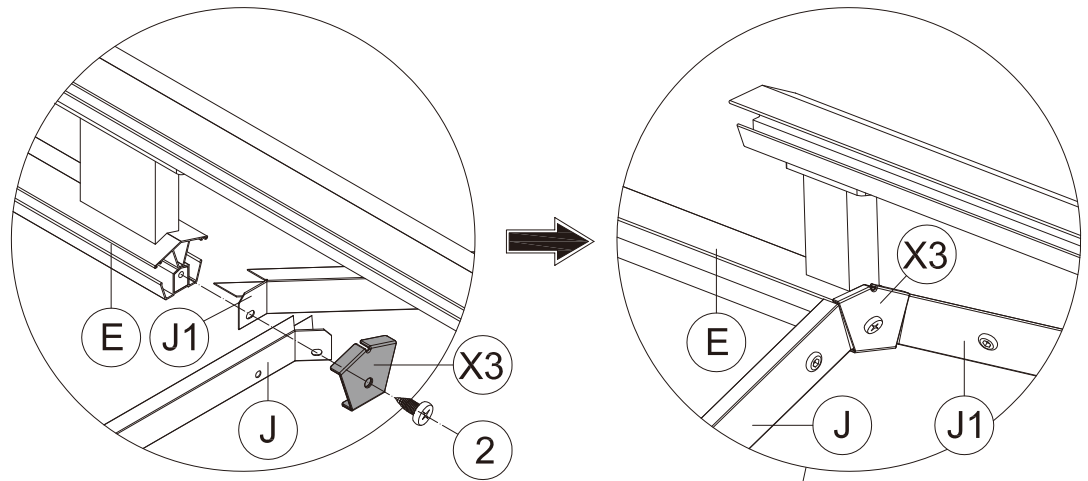
X3 4x



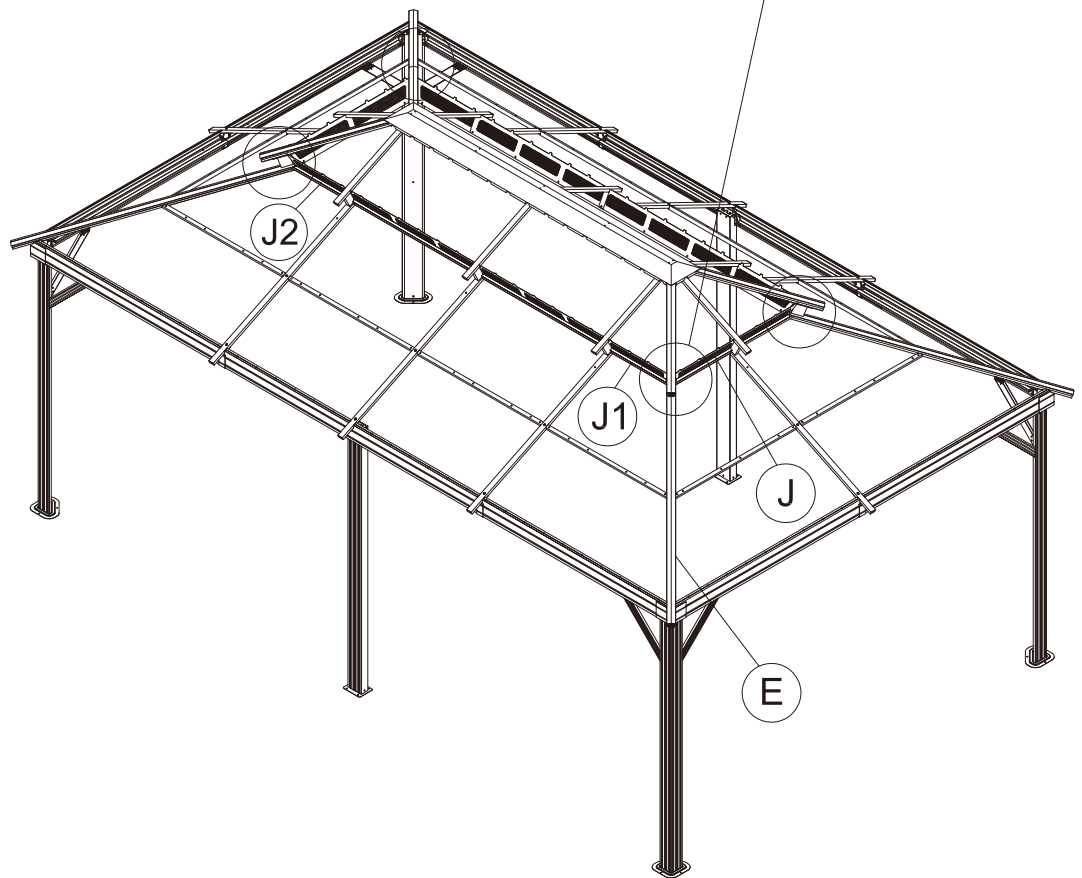
ST6.3x15

2 4x

(1) Place Part #J and Part #J1 on Part #E; put on Part #X3 and secure with Self-tapping Screw #2.



Inside View

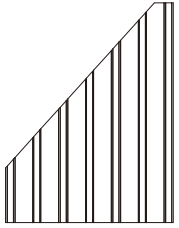


(2) Repeat the above procedures to assemble the other 3 corners.

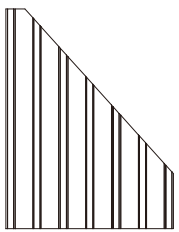
Cover Part #Z, #Z1 & #Z2 to Roof Panels.



(L1) 2x



(L2) 2x



(L3) 2x



(L4) 2x



(Z) 8x

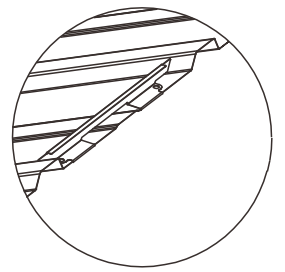
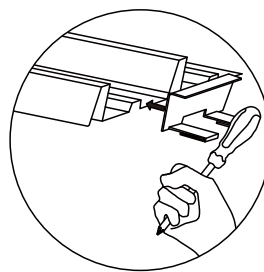
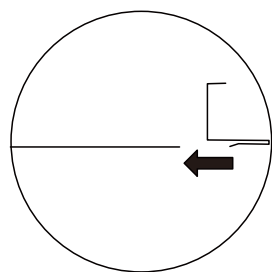
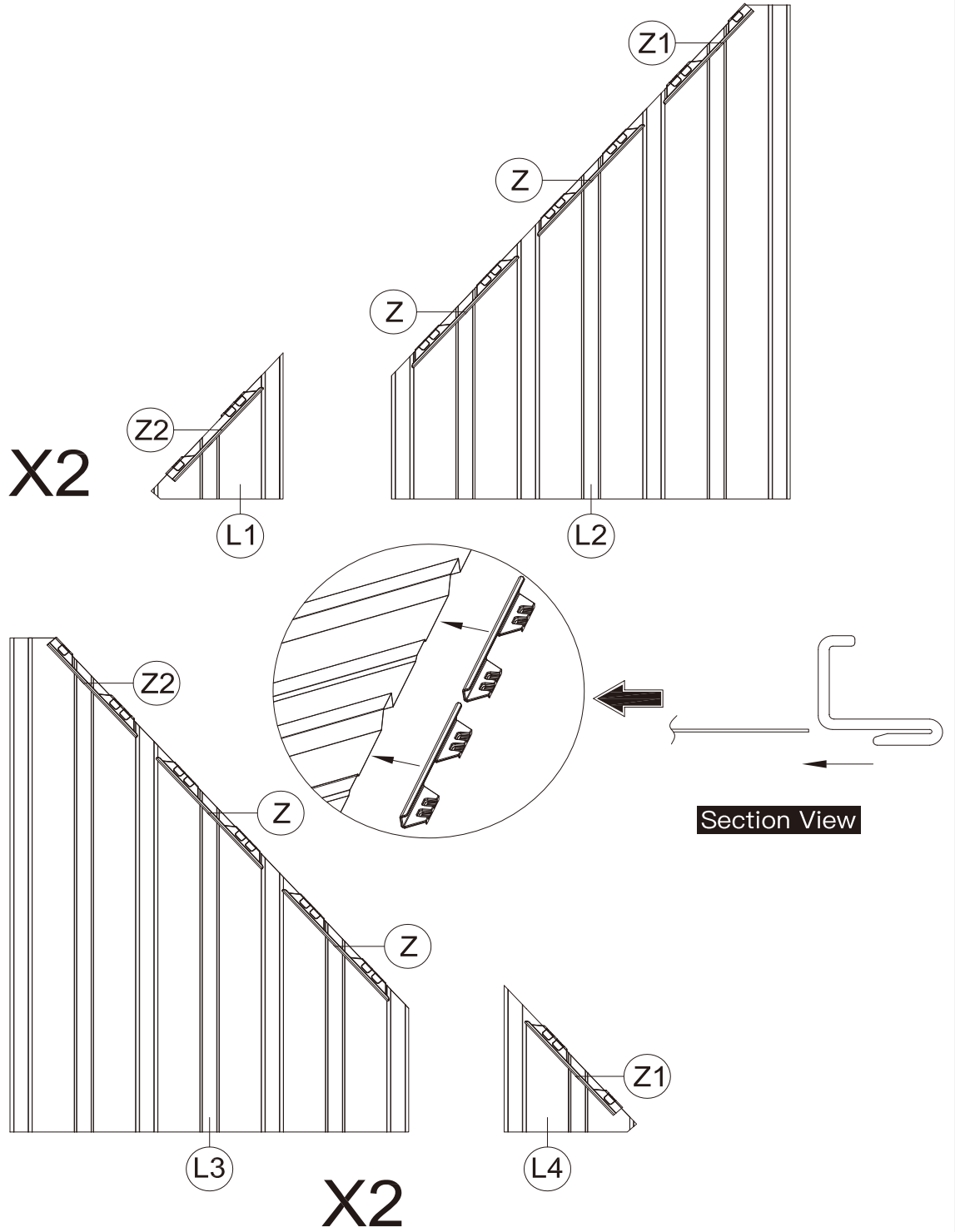


(Z1) 4x



(Z2) 4x

41

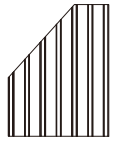


Attach Z/Z1/Z2/Z3/Z4 by lightly tapping with a screwdriver.

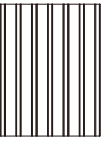
Cover Part #Z, #Z3 & #Z4 to Roof Panels.



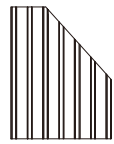
(N1) 2x



(N2) 2x



(N3) 8x



(N4) 2x



(N5) 2x



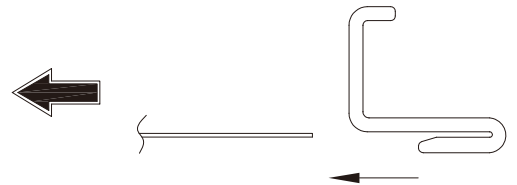
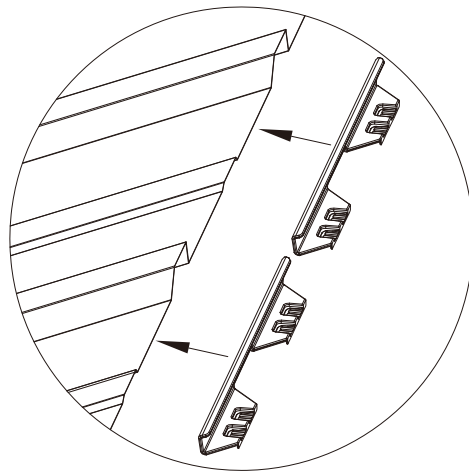
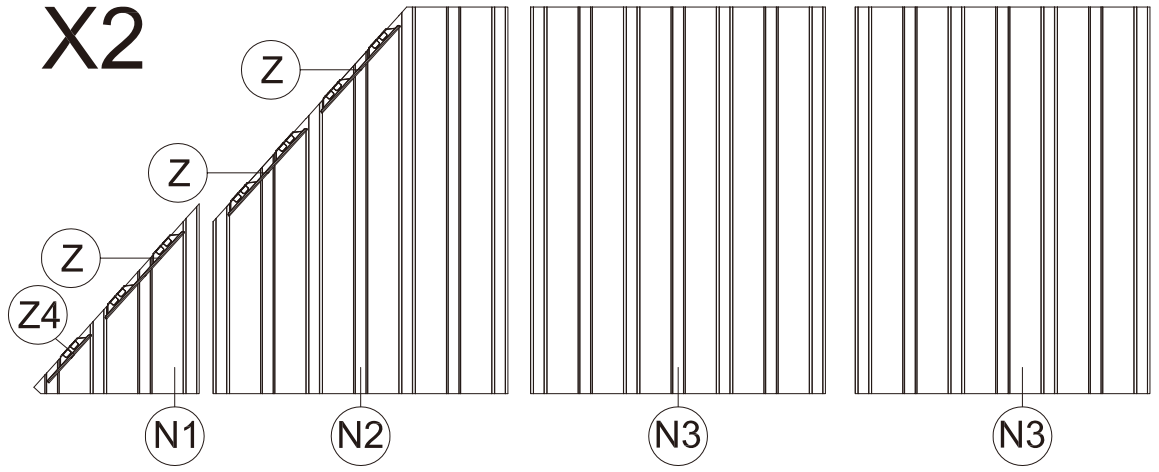
(Z) 12x



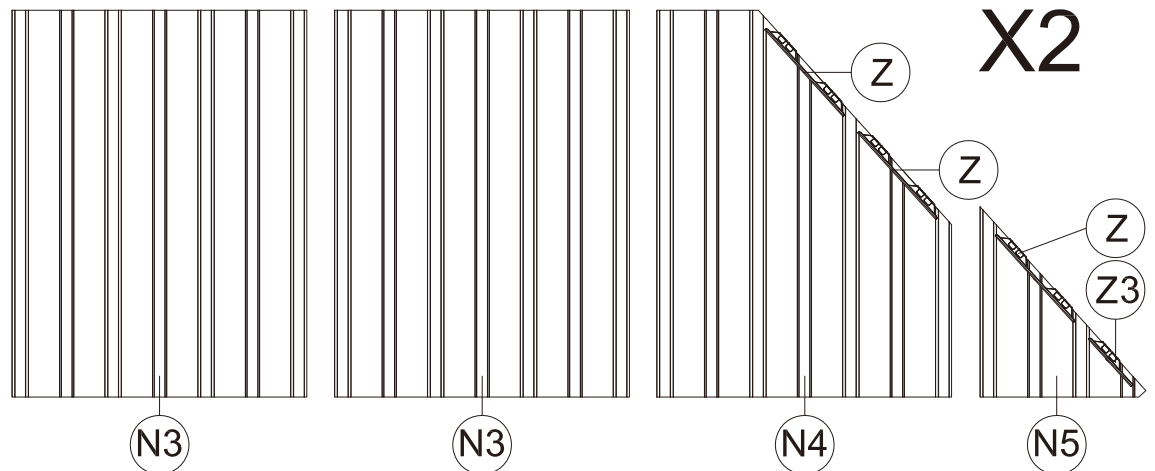
(Z3) 2x

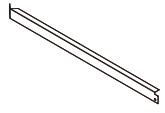


(Z4) 2x

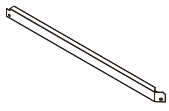


Section View



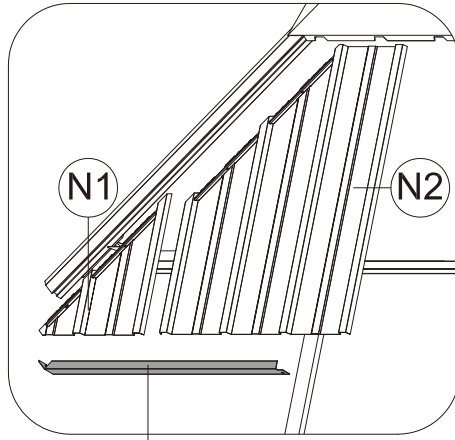


H1 2x

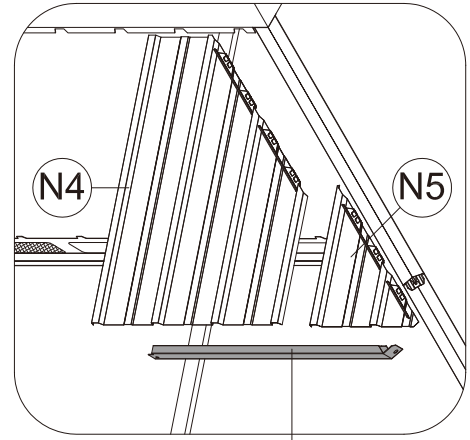


H2 2x

ATTENTION: The bigger roof panel need to cover the smaller one.



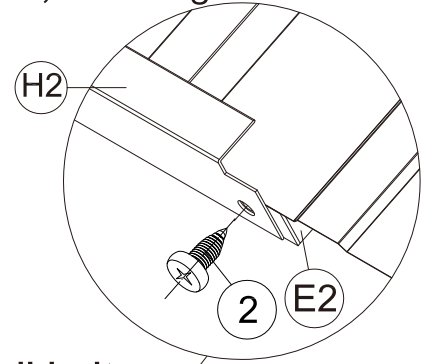
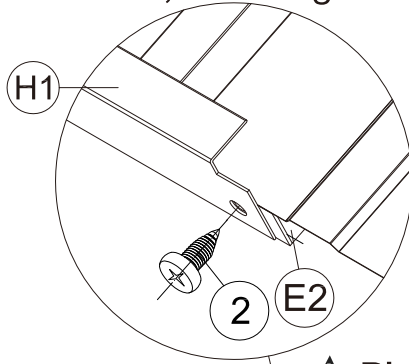
H1



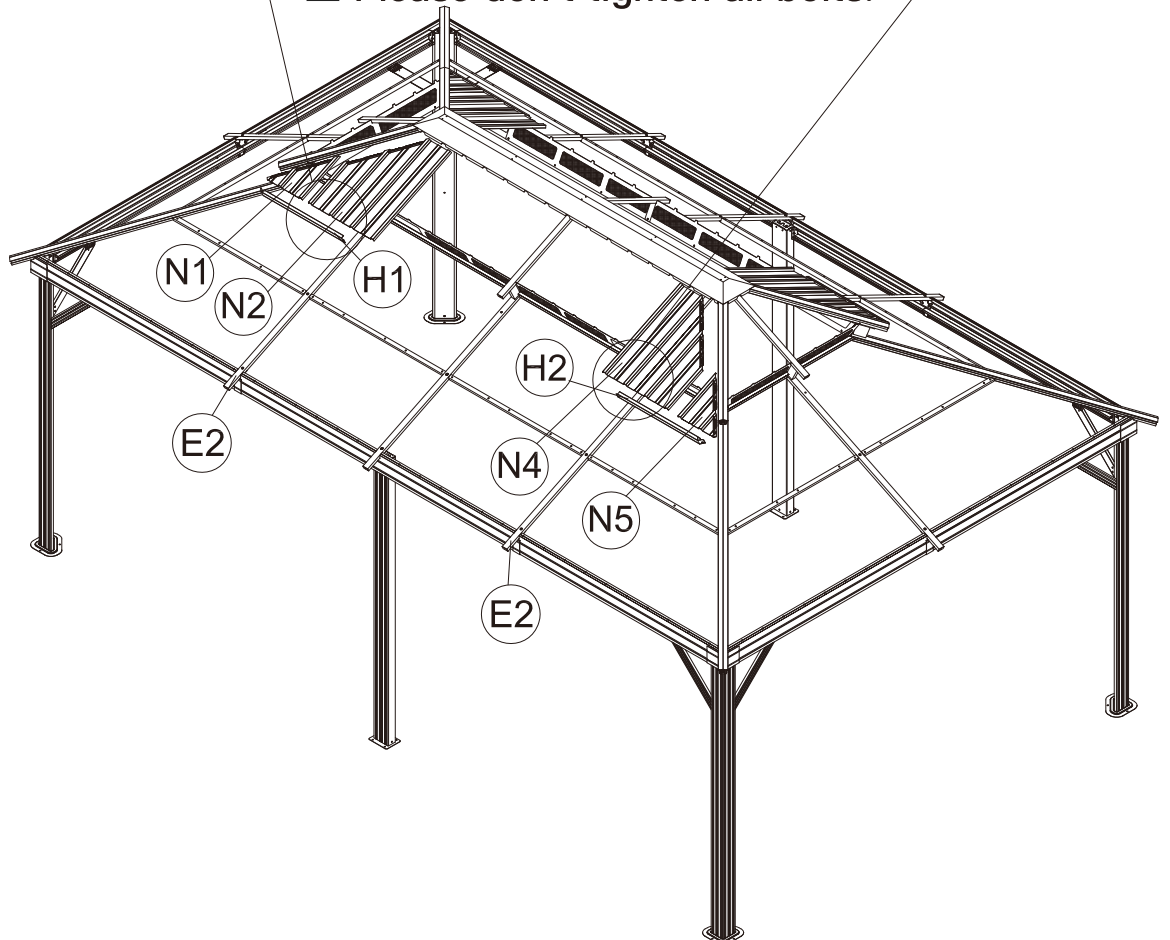
H2

(1) Insert Part #N1 and Part #N2 into the frame; attach Part #H1 to Part #E2, securing with Bolt #2.

(2) Insert Part #N5 and Part #N4 into the frame; attach Part #H2 to Part #E, securing with Bolt #2.

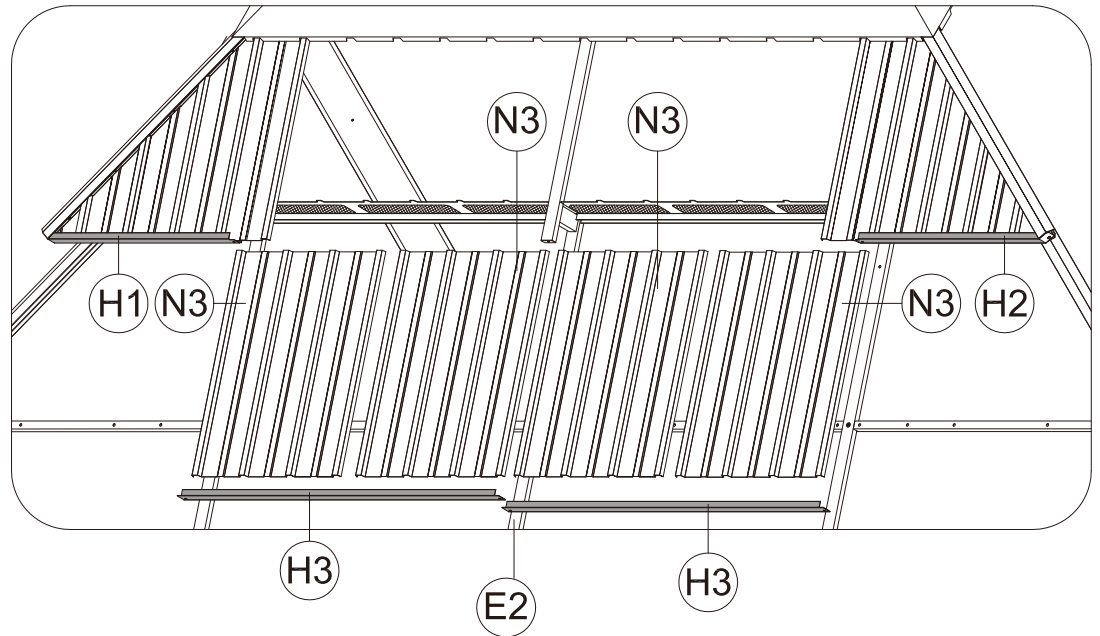


▲ Please don't tighten all bolts.

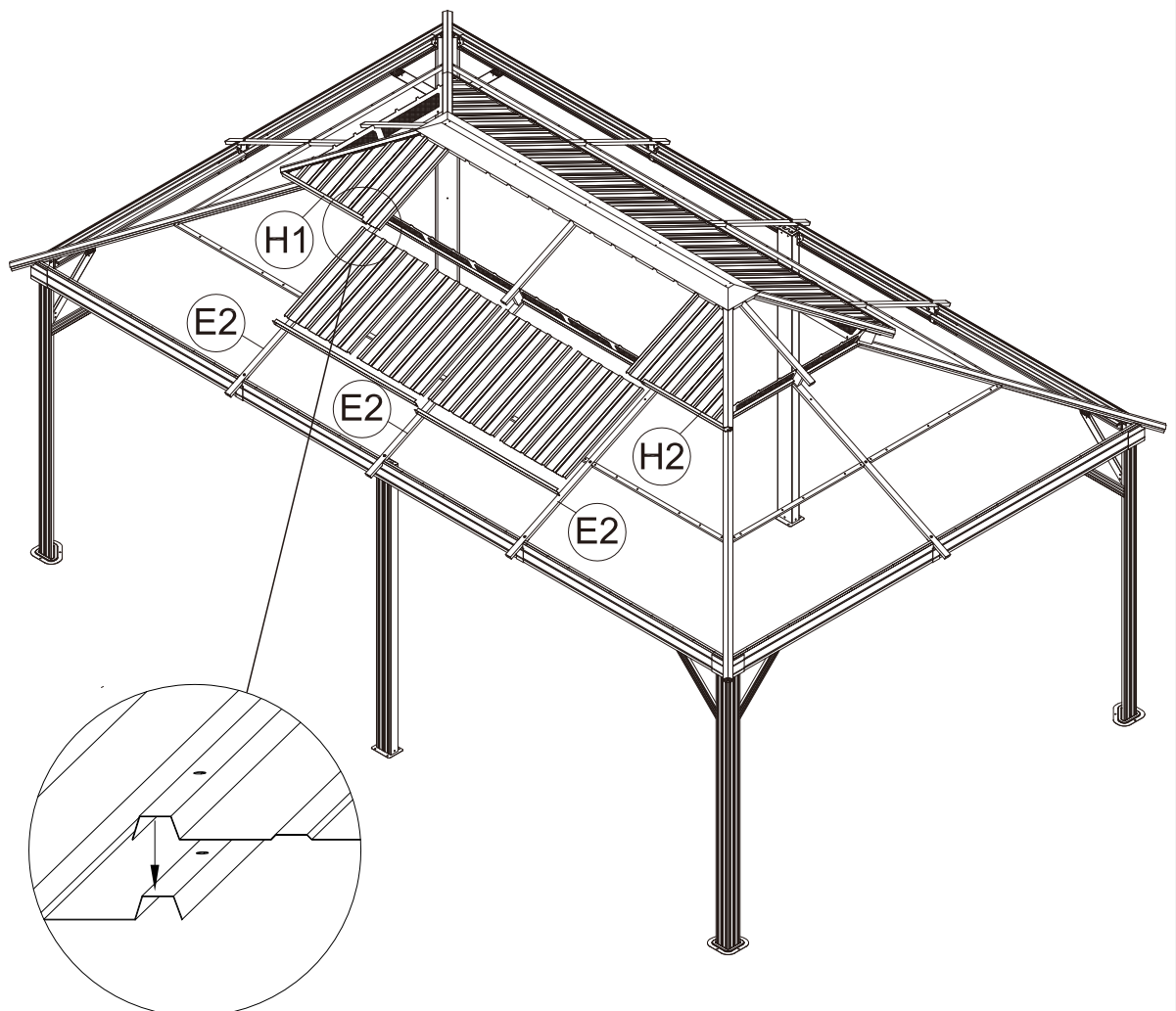


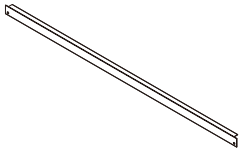
(3) Repeat the above procedures to assemble the opposite side.

(1) Insert 4 Part #N3 into the frame.



⚠ When installing Part #H1/H2 & Part #H3, you should unscrew the bolt #2 that have not been tightened.





H3 4x

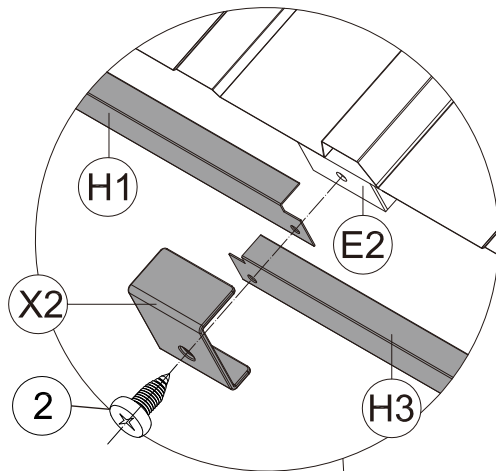


X2 6x

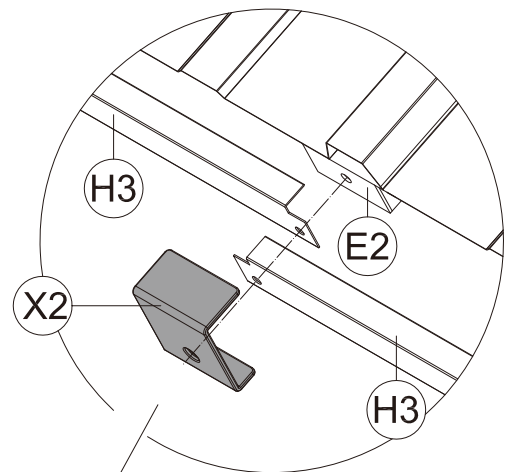


ST6.3x15

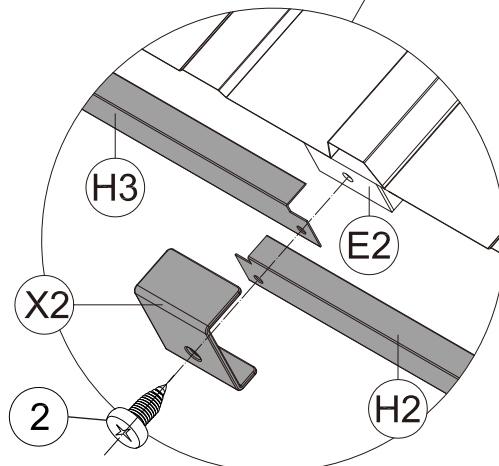
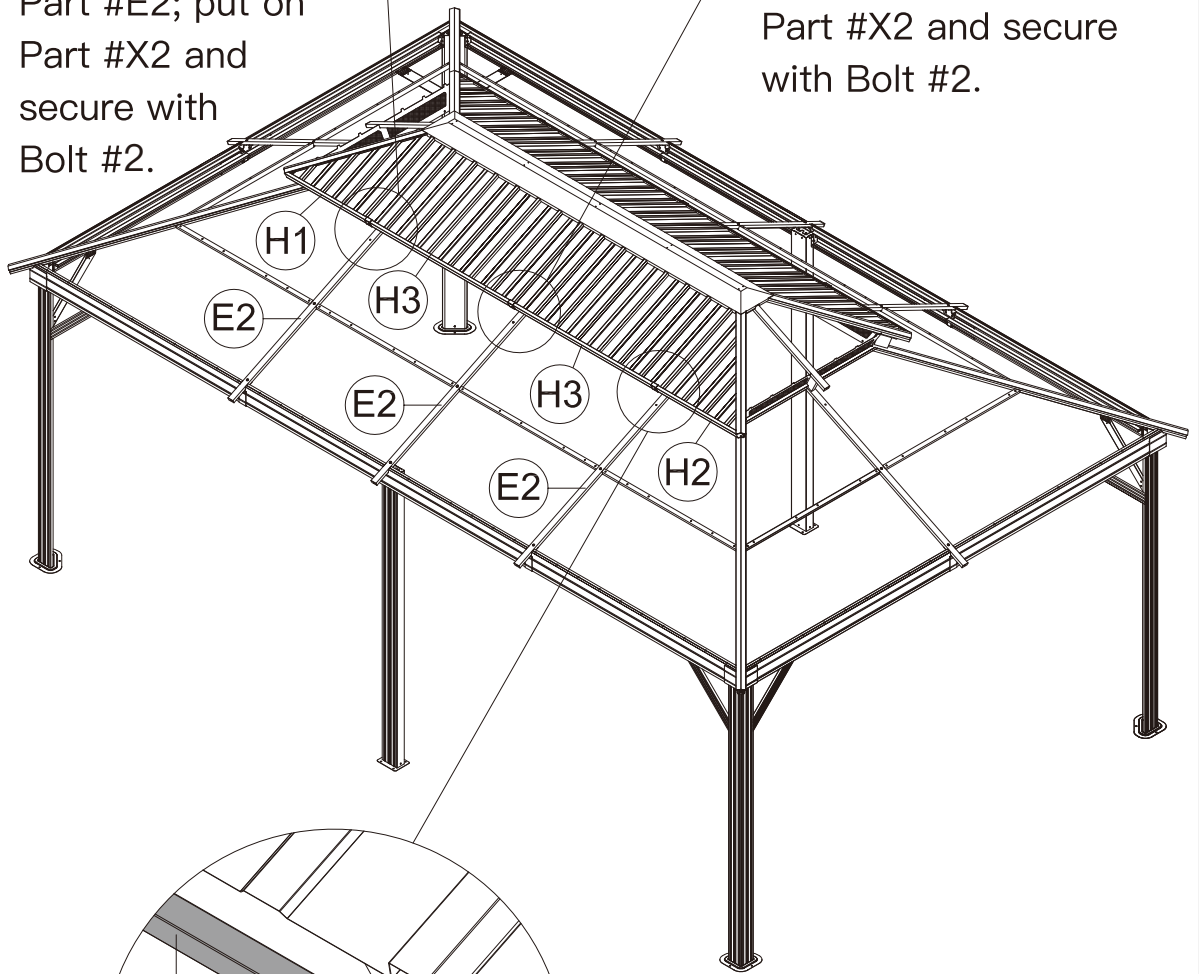
2 6x



(1) Place Part #H1 and Part #H3 on Part #E2; put on Part #X2 and secure with Bolt #2.



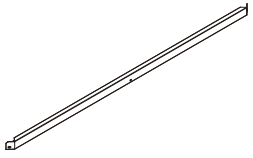
(2) Place 2 Part #H3 on Part #E2; put on Part #X2 and secure with Bolt #2.



(3) Place Part #H3 and Part #H2 on Part #E2; put on Part #X2 and secure with Bolt #2.

(4) Repeat the above procedures to assemble the opposite side.

ATTENTION: The bigger roof panel need to cover the smaller one.

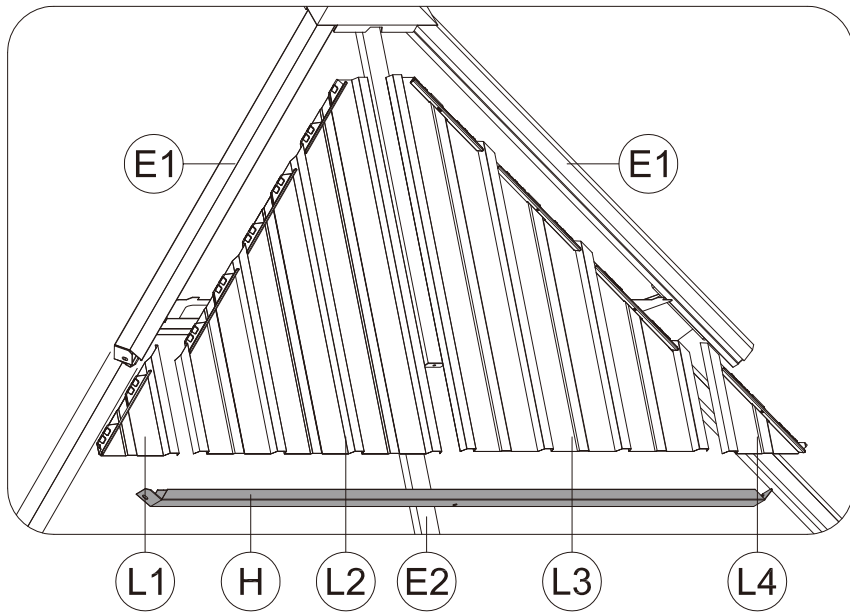


H 2x



ST6.3x15

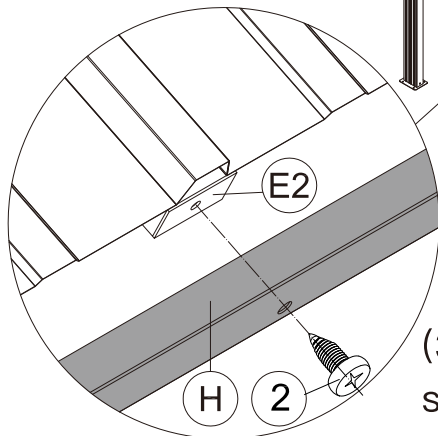
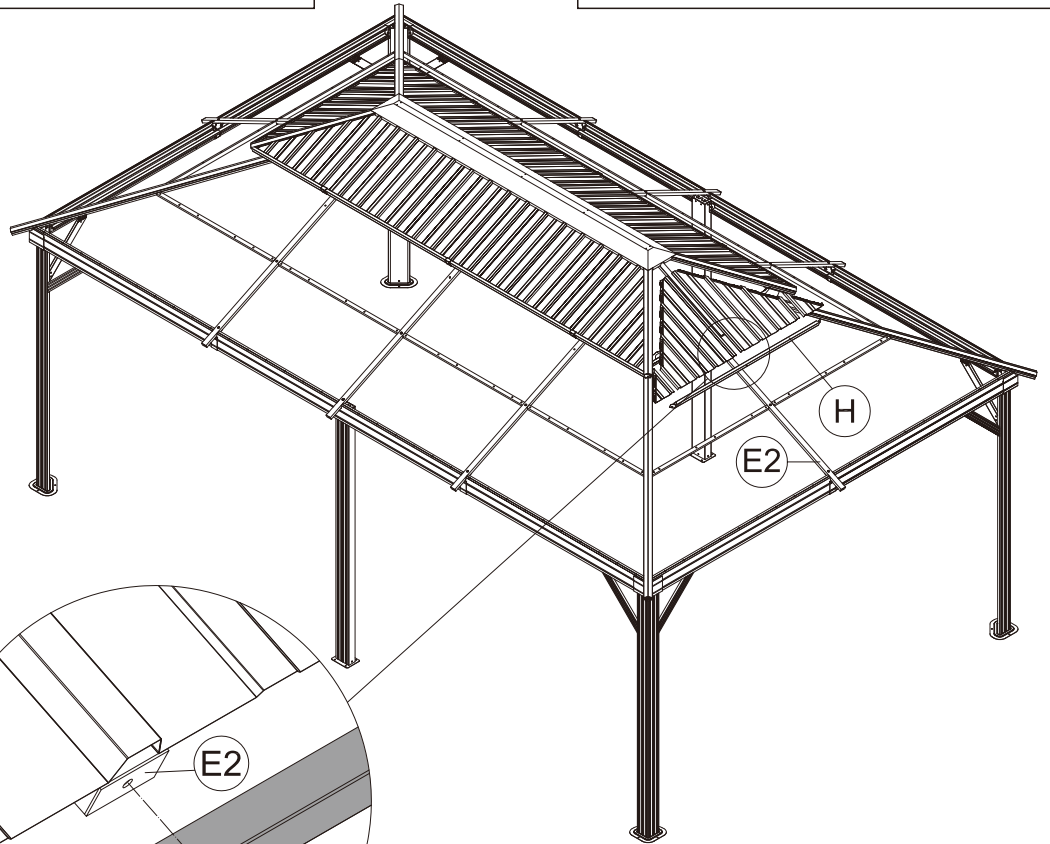
2 2x



(1) Insert Part #L1 and Part #L2 into the frame.



(2) Insert Part #L4 and Part #L3 into the frame.



(3) Attach Part #H to Part #E2, securing with Bolt #2.

(4) Repeat the above procedures to assemble the opposite side.



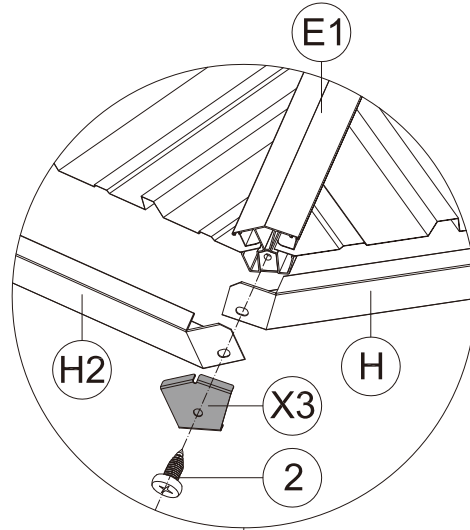
(X3) 4x



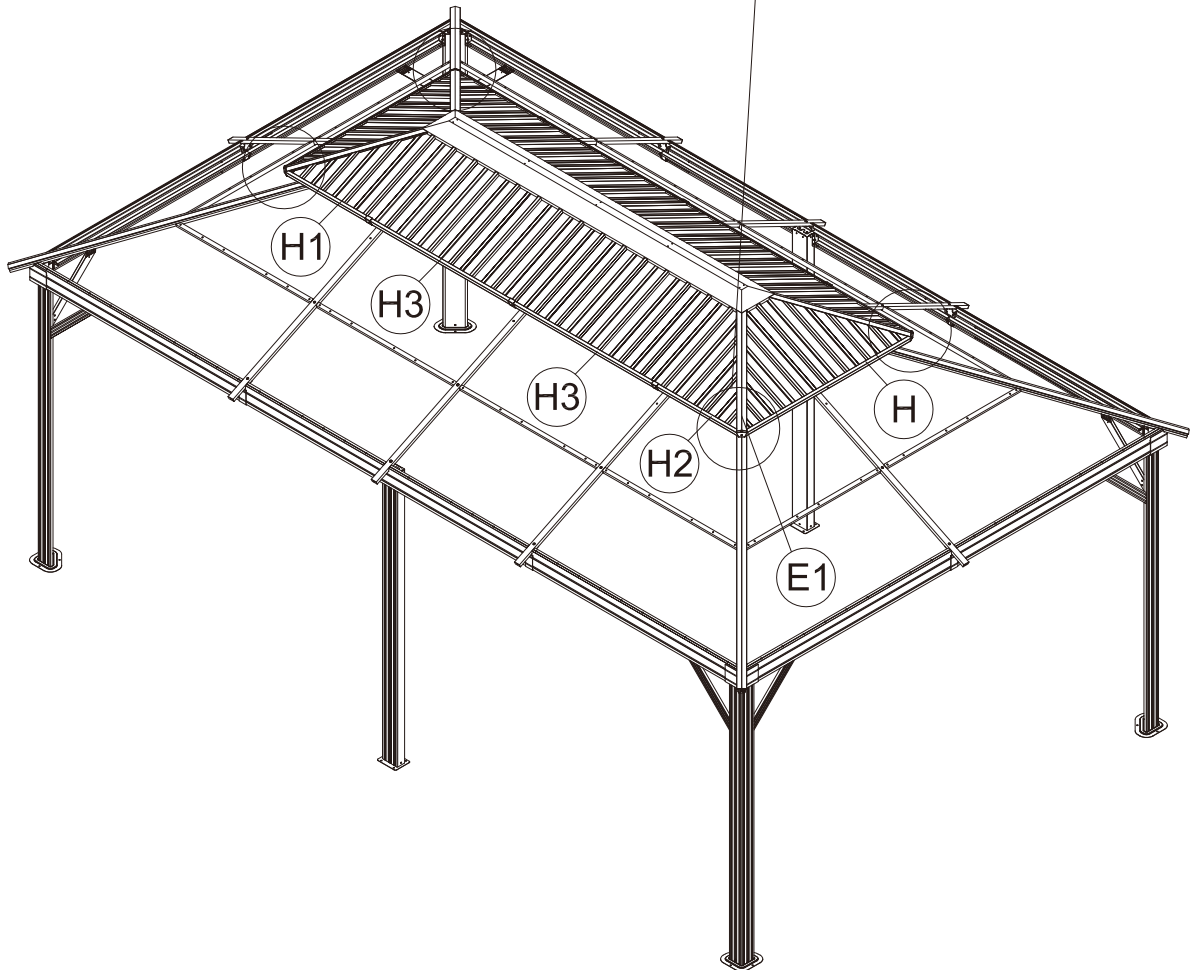
ST6.3x15

(2) 4x

(1) Place Part #H and Part #H2 on Part #E1;
put on Part #X3 and secure with Self-tapping Screw #2.



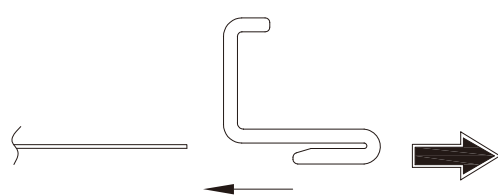
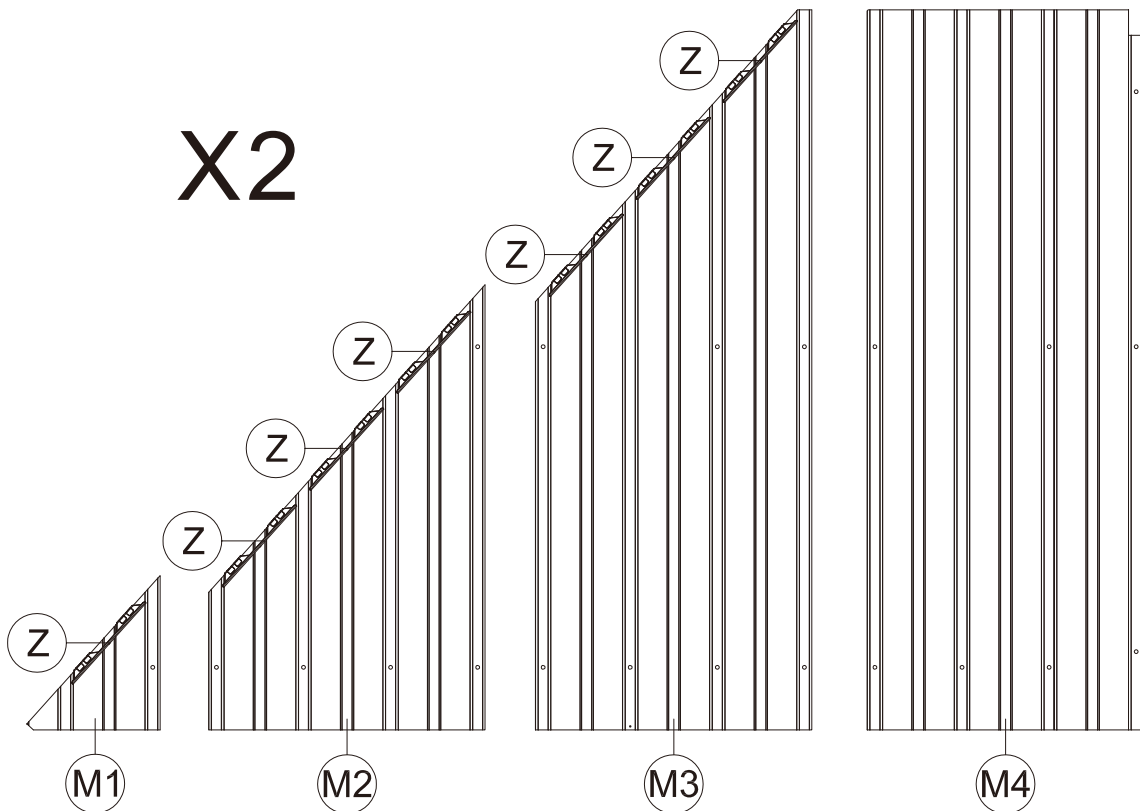
Outside View



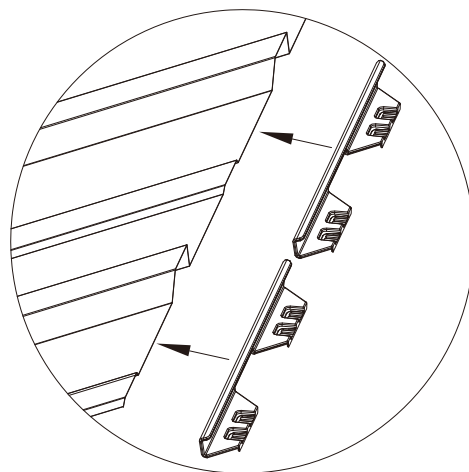
(2) Repeat the above procedures to assemble the other 3 corners.

Cover Part #Z to Roof Panels

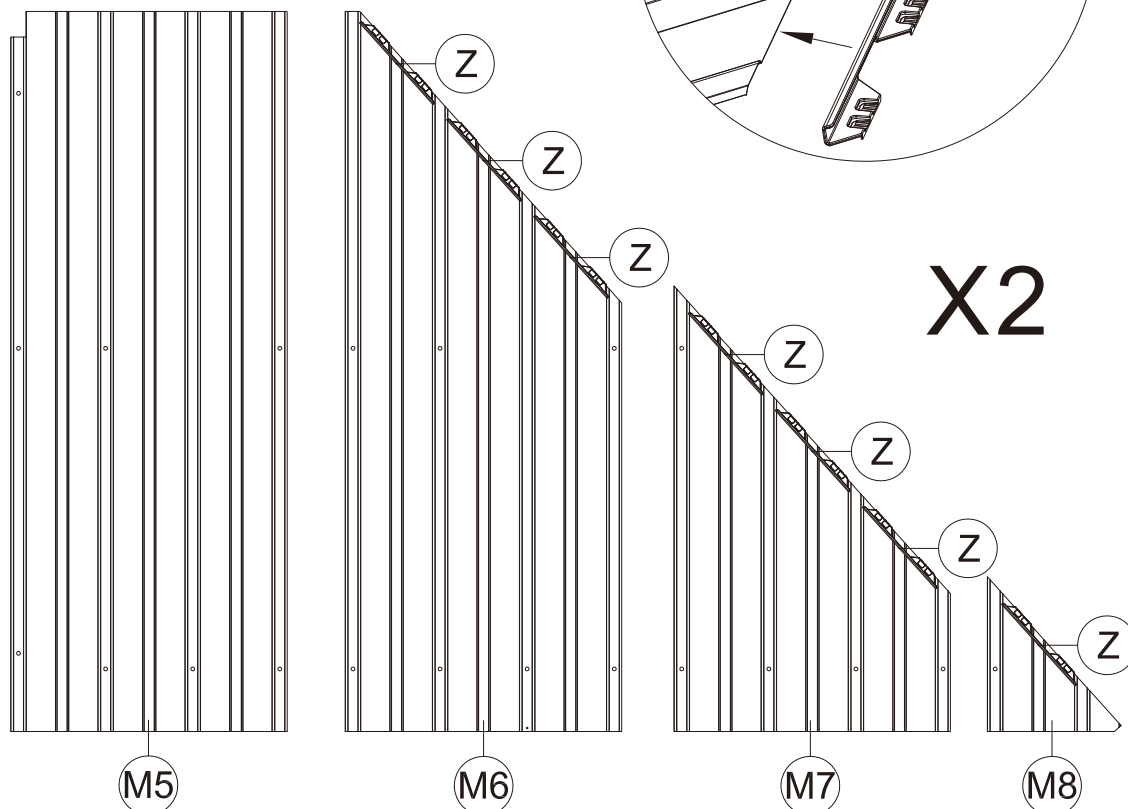
X2


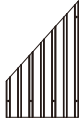

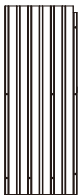
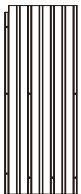

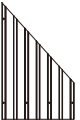




Section View



X2

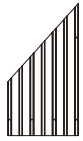


	(M1) 2x
	(M2) 2x
	(M3) 2x
	(M4) 2x
	(M5) 2x
	(M6) 2x
	(M7) 2x
	(M8) 2x
	(Z) 28x
48	

Cover Part #Z to Roof Panels



P1 2x



P2 2x



P3 2x



P4 2x



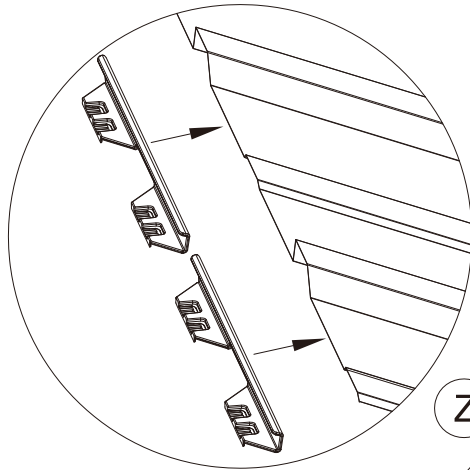
P5 2x



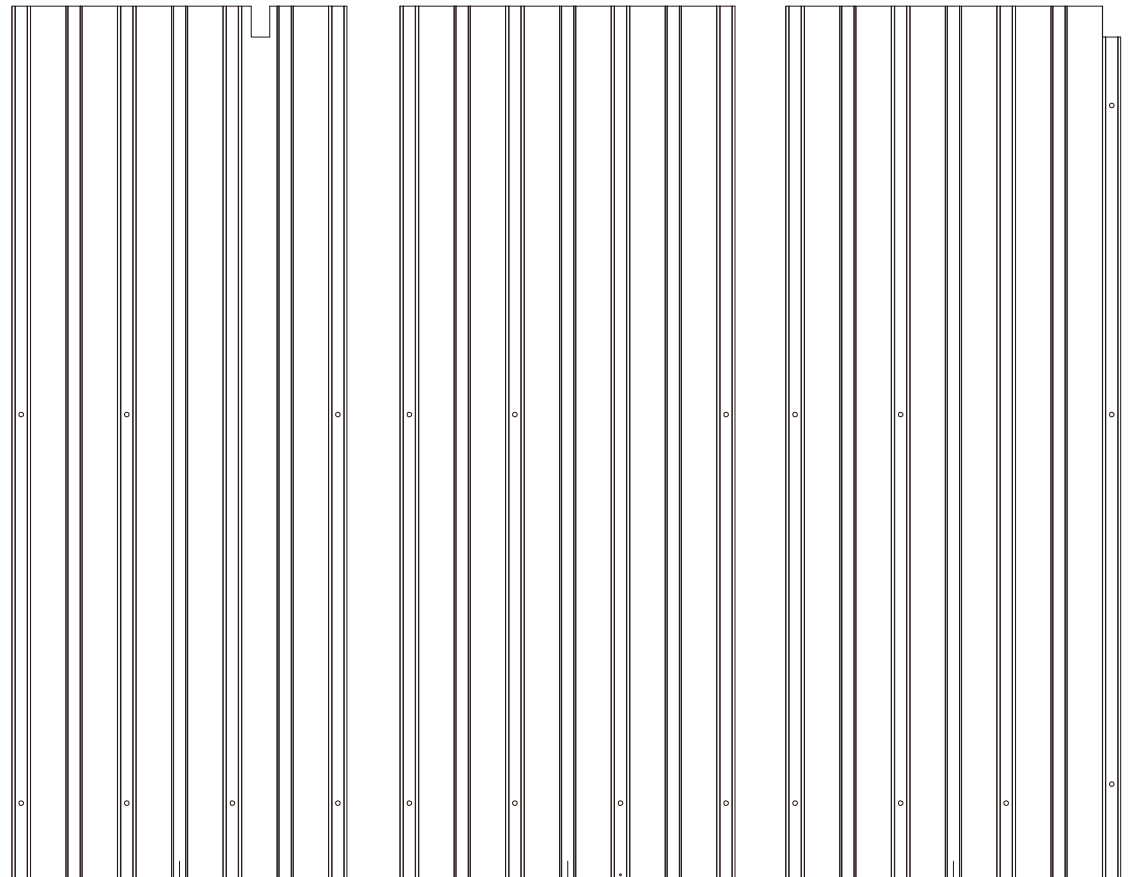
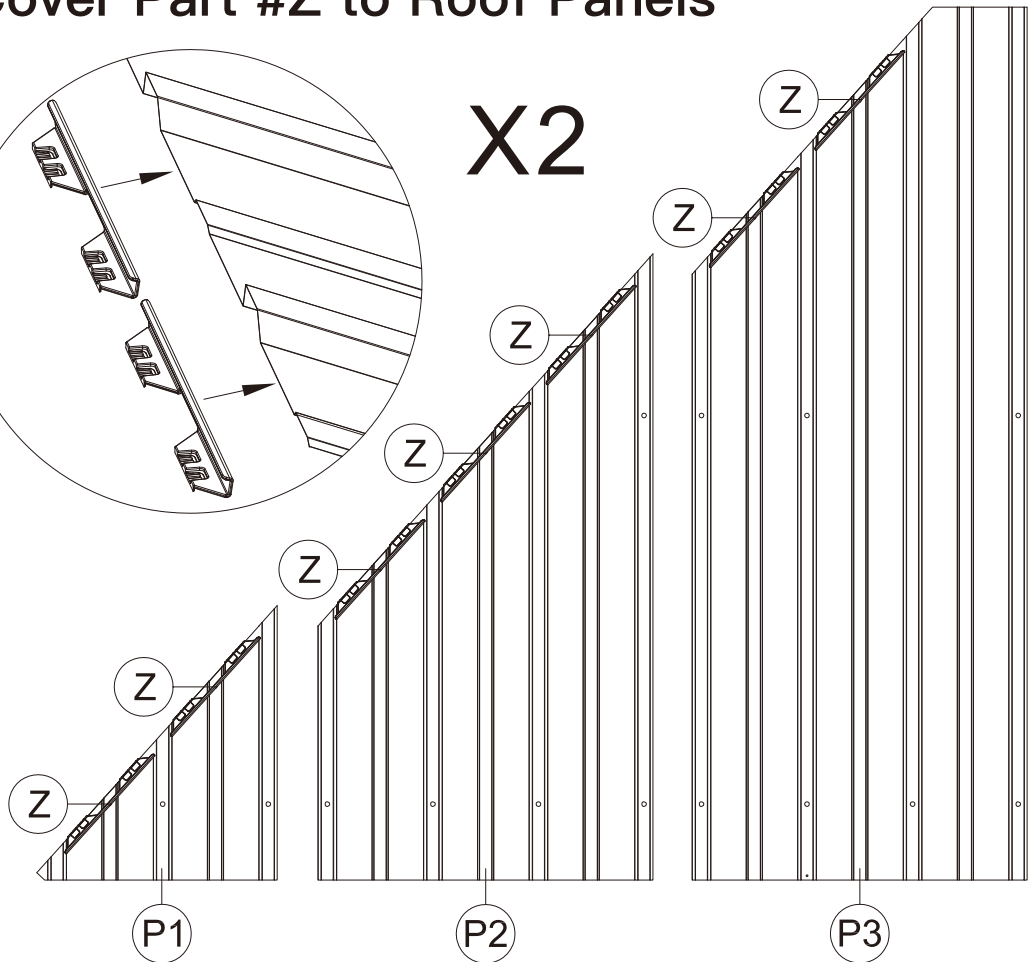
P6 2x



Z 14x



X2



P4

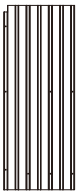
X2

P5

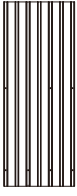
P6

Cover Part #Z to Roof Panels

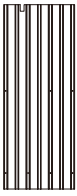
P7 2x



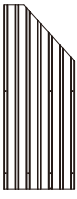
P8 2x



P9 2x



P10 2x



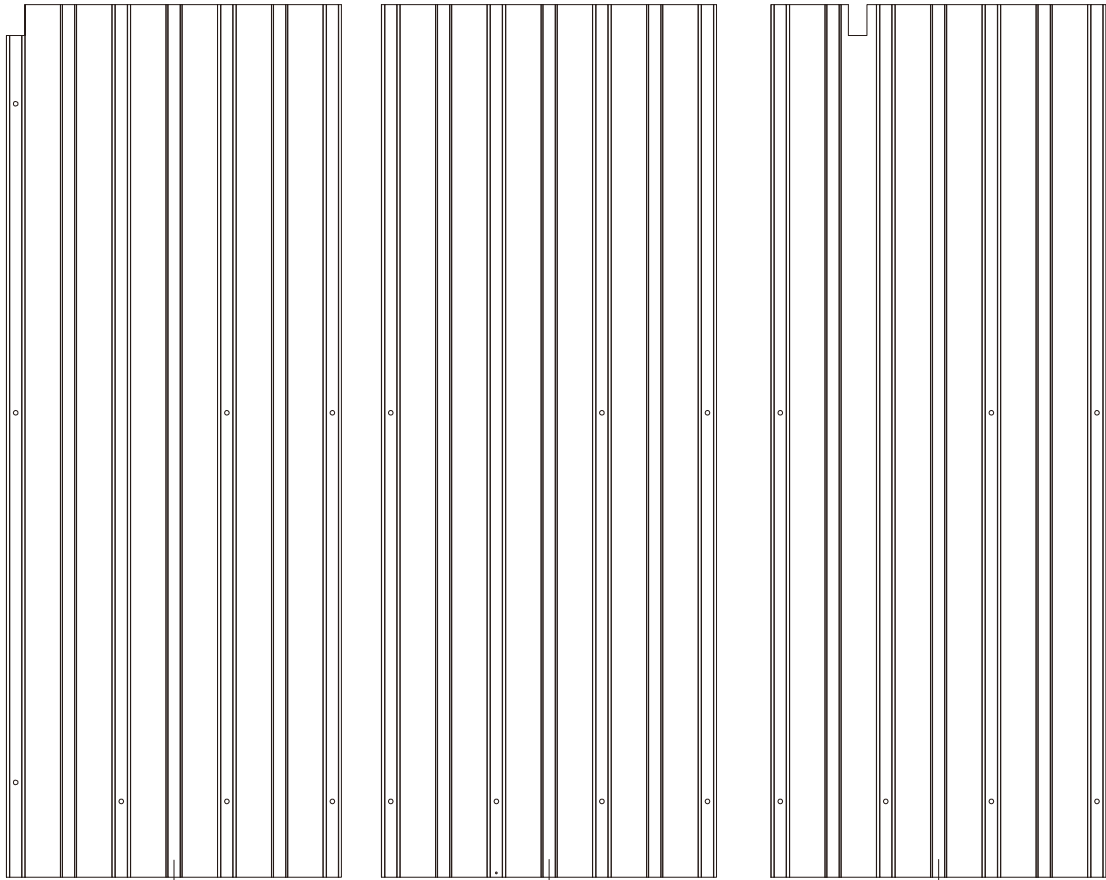
P11 2x



P12 2x



Z 14x



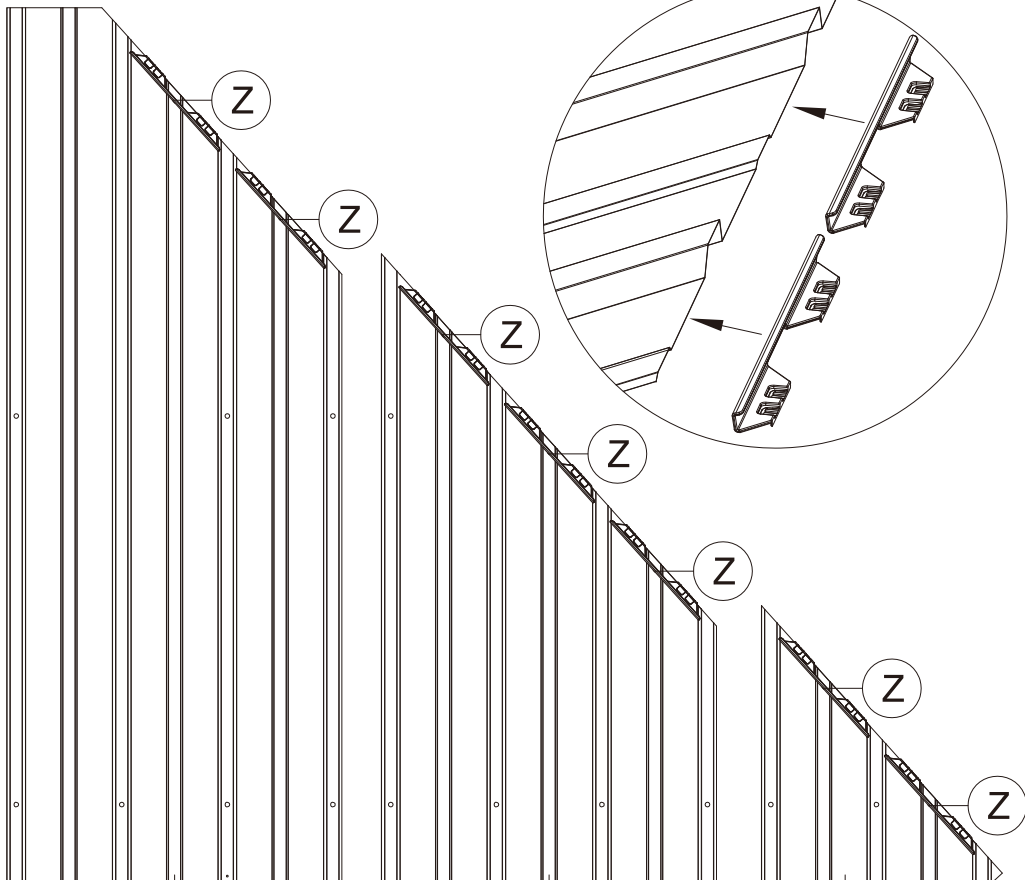
P7

X2

P8

P9

X2

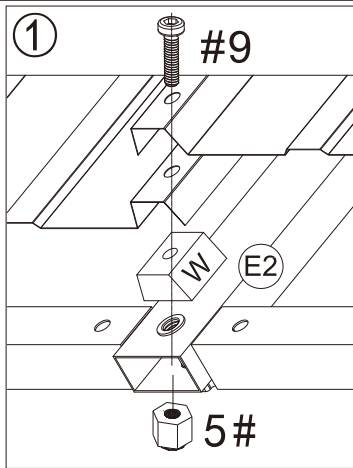


P10

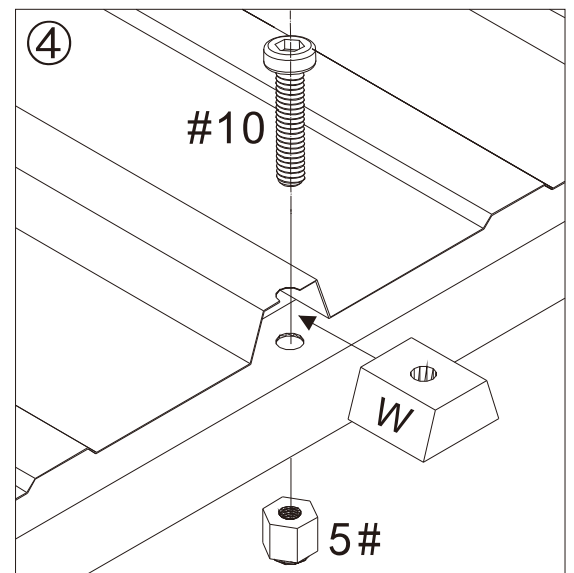
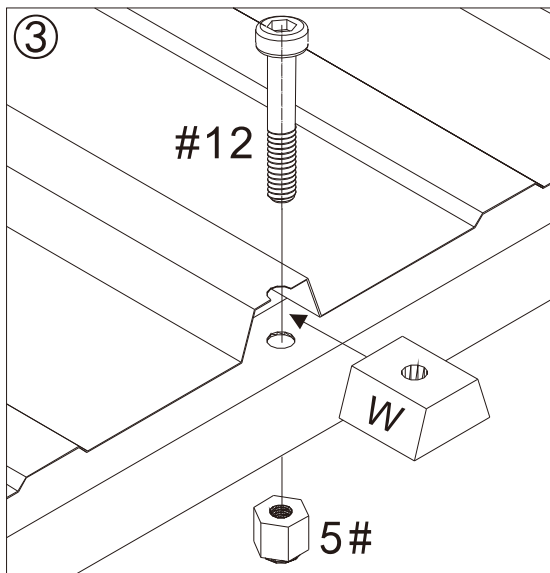
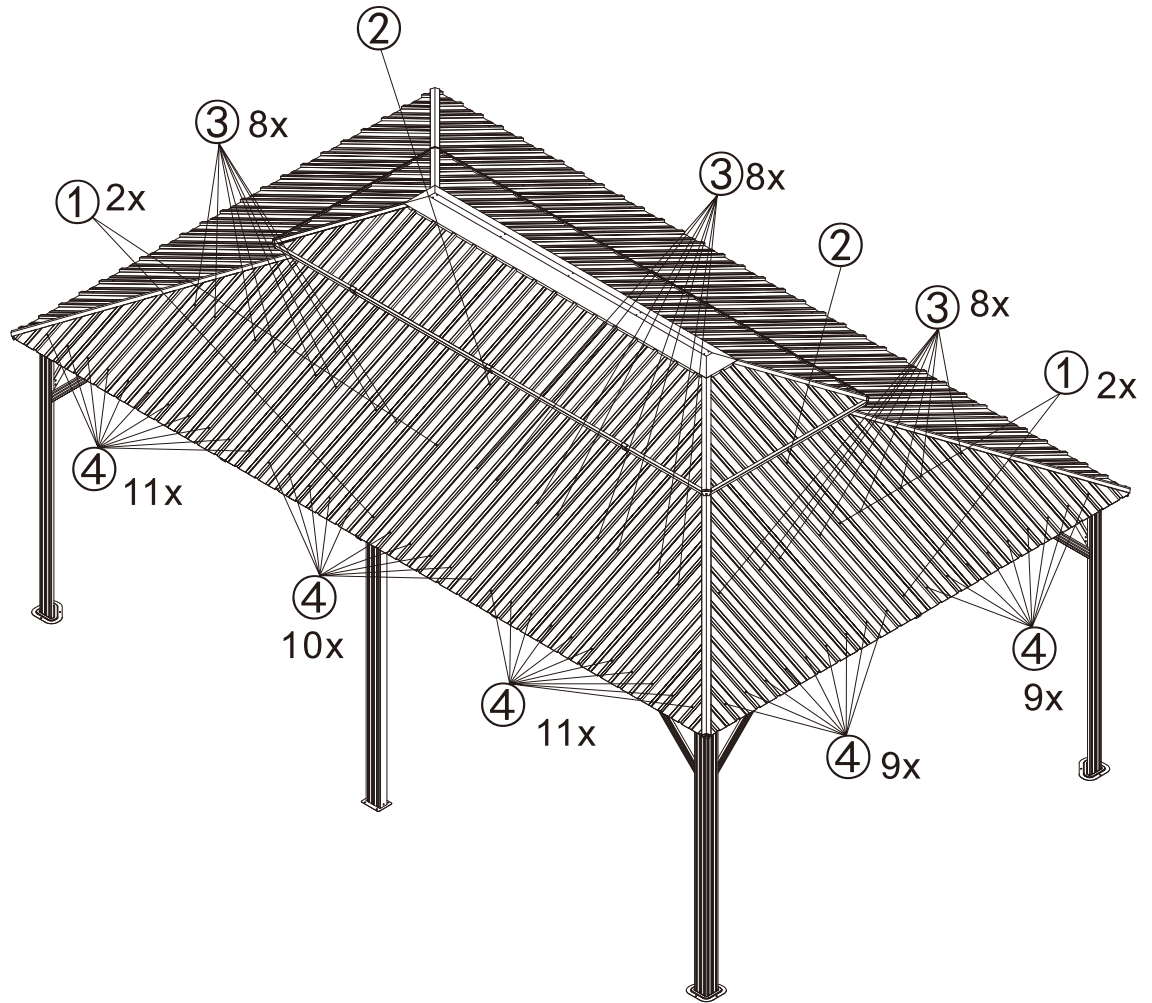
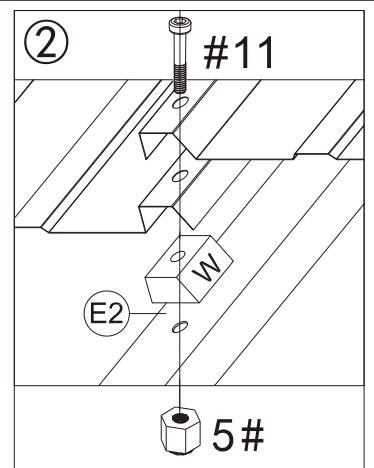
P11

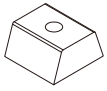
P12

50

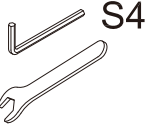


▲ Part #W should be inserted between roof panels and solidifying bar or beams, then secure with bolts and nuts.





W 36x



1 1x



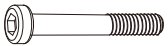
M6

5 36x



M6x28

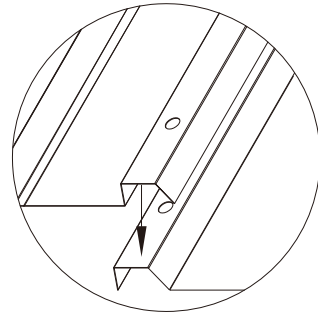
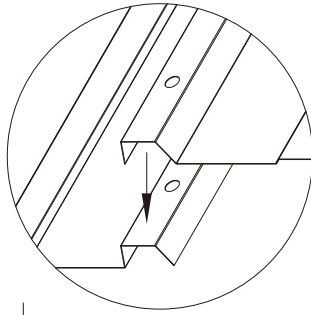
10 28x



M6x50

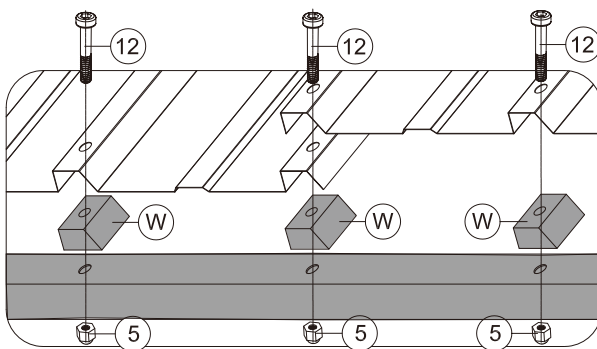
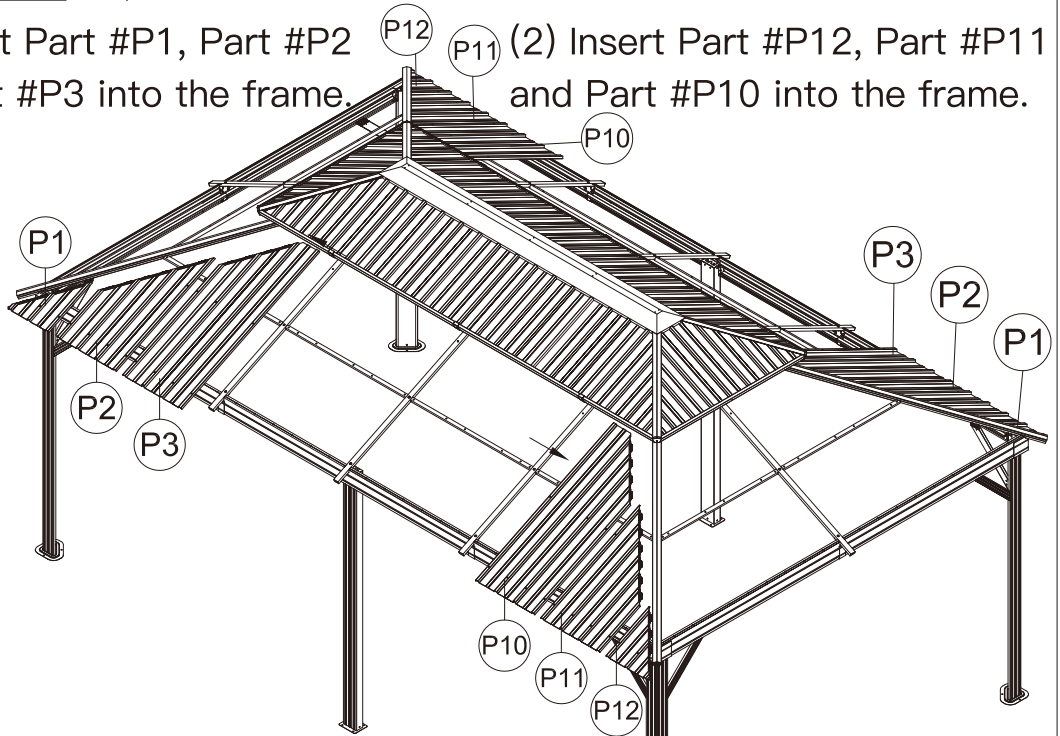
12 8x

ATTENTION: The bigger roof panel need to cover the smaller one.



(1) Insert Part #P1, Part #P2 and Part #P3 into the frame.

(2) Insert Part #P12, Part #P11 and Part #P10 into the frame.

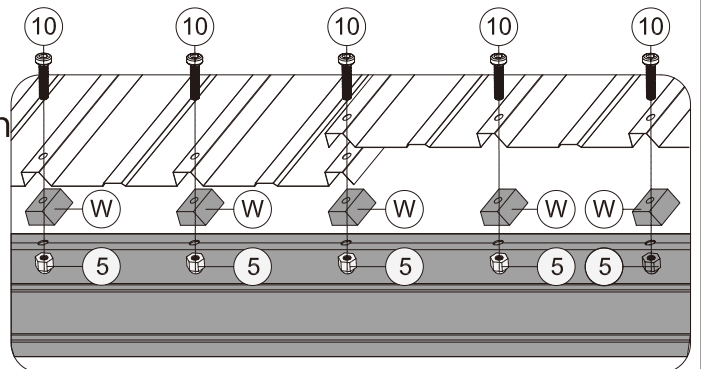


Solidifying Bar

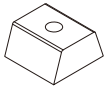
(3) Place 4 Part #W between roof panels and solidifying bars. Then secure with 4 Bolts #12 and 4 Nuts #5.

(4) Place 14 Part #W between roof panels and beams. Then secure with 14 Bolts #10 and 14 Nuts #5.

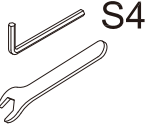
Beam



(5) Repeat the above procedures to assemble the opposite side.



W 40x



1 1x



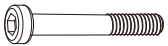
M6

5 40x



M6x28

10 24x



M6x50

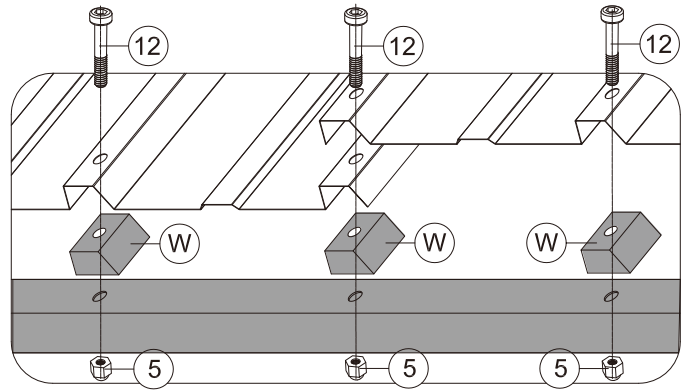
12 16x

ATTENTION: The bigger roof panel need to cover the smaller one.

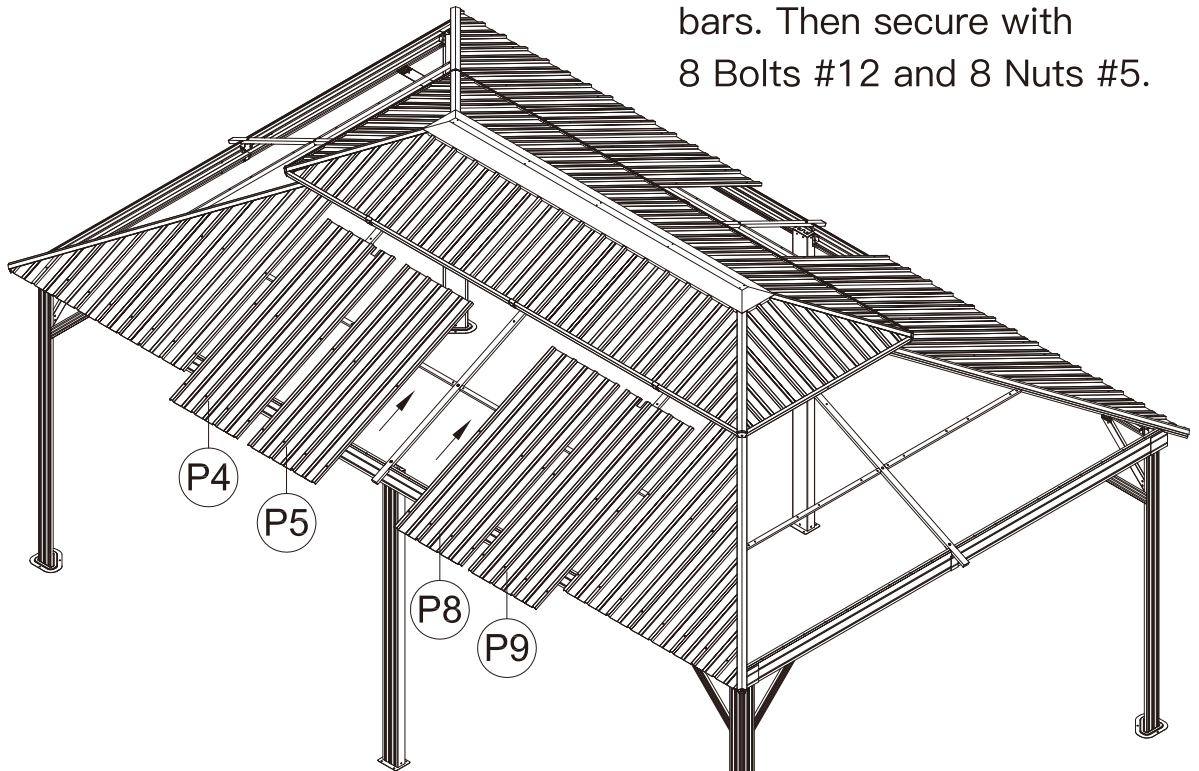
(1) Insert Part #P4 and Part #P5 into the frame.



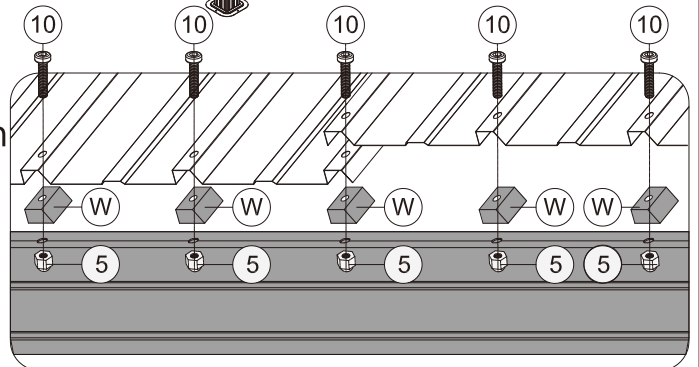
(2) Insert Part #P9 and Part #P8 into the frame.



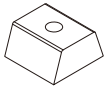
(3) Place 8 Part #W between roof panels and solidifying bars. Then secure with 8 Bolts #12 and 8 Nuts #5.



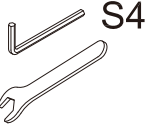
(4) Place 12 Part #W between roof panels and beams. Then secure with 12 Bolts #10 and 12 Nuts #5.



(5) Repeat the above procedures to assemble the opposite side.



W 24x

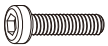


1 1x



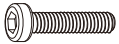
M6

5 20x



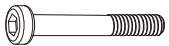
M6x25

9 4x



M6x28

10 12x

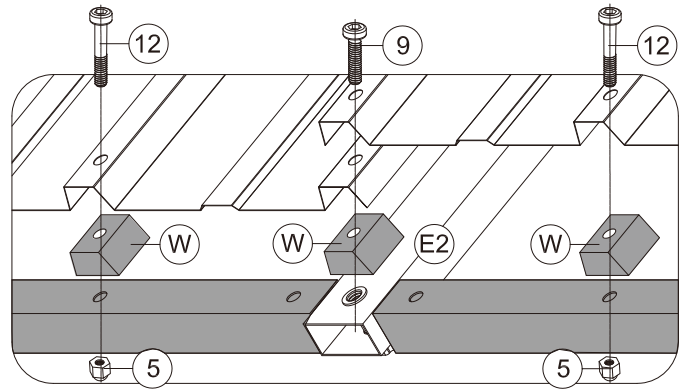


M6x50

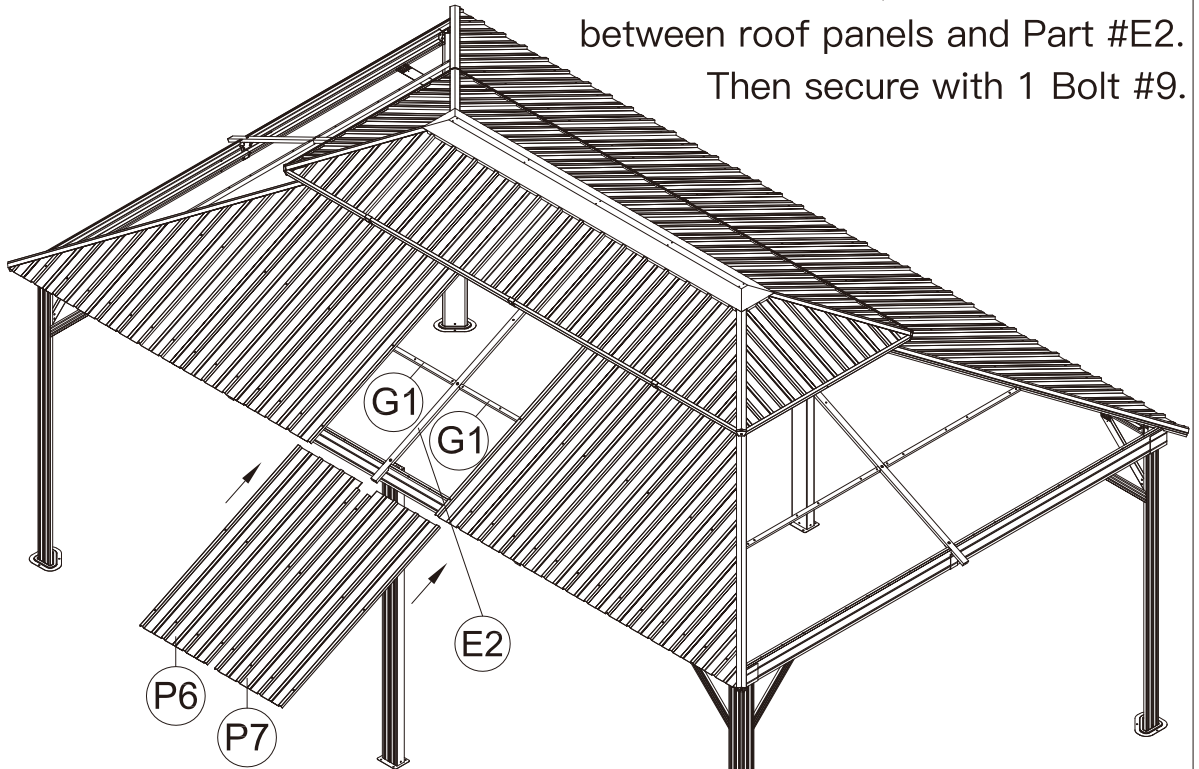
12 8x

ATTENTION: The bigger roof panel need to cover the smaller one.

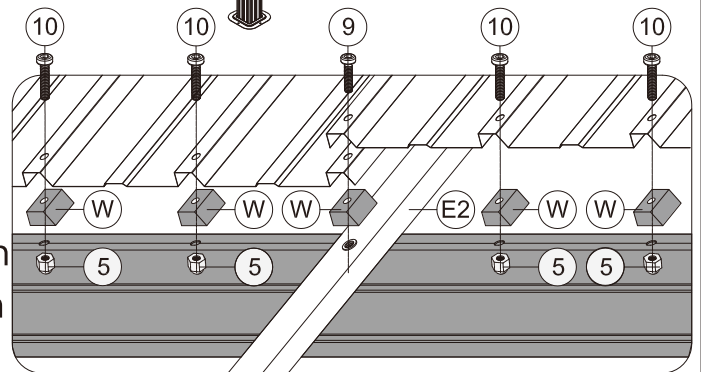
(1) Insert Part #P6 into the frame.



(3) Place 4 Part #W between roof panels and solidifying bars. Then secure with 4 Bolts #12 and 4 Nuts #5; Place 1 Part #W between roof panels and Part #E2. Then secure with 1 Bolt #9.

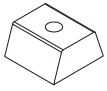


(2) Insert Part #P7 into the frame.



(4) .Place 6 Part #W between roof panels and beams. Then secure with 6 Bolts #10 and 6 Nuts #5; Place 1 Part #W between roof panels and Part #E2. Then secure with 1 Bolt #9.

(5) Repeat the above procedures to assemble the opposite side.



W 12x



1 1x



M6

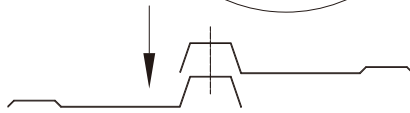
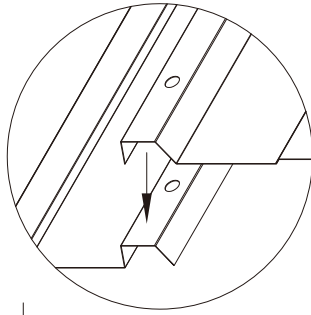
5 12x



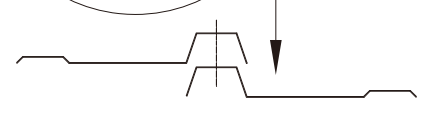
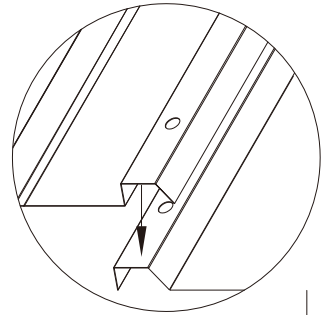
M6x28

10 12x

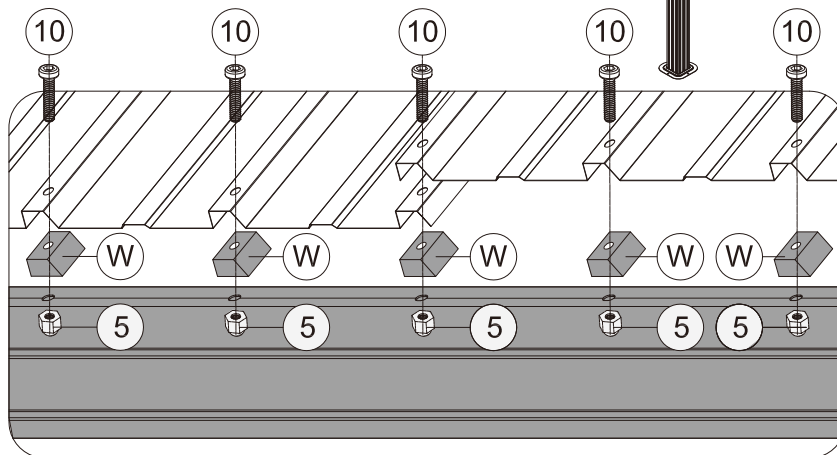
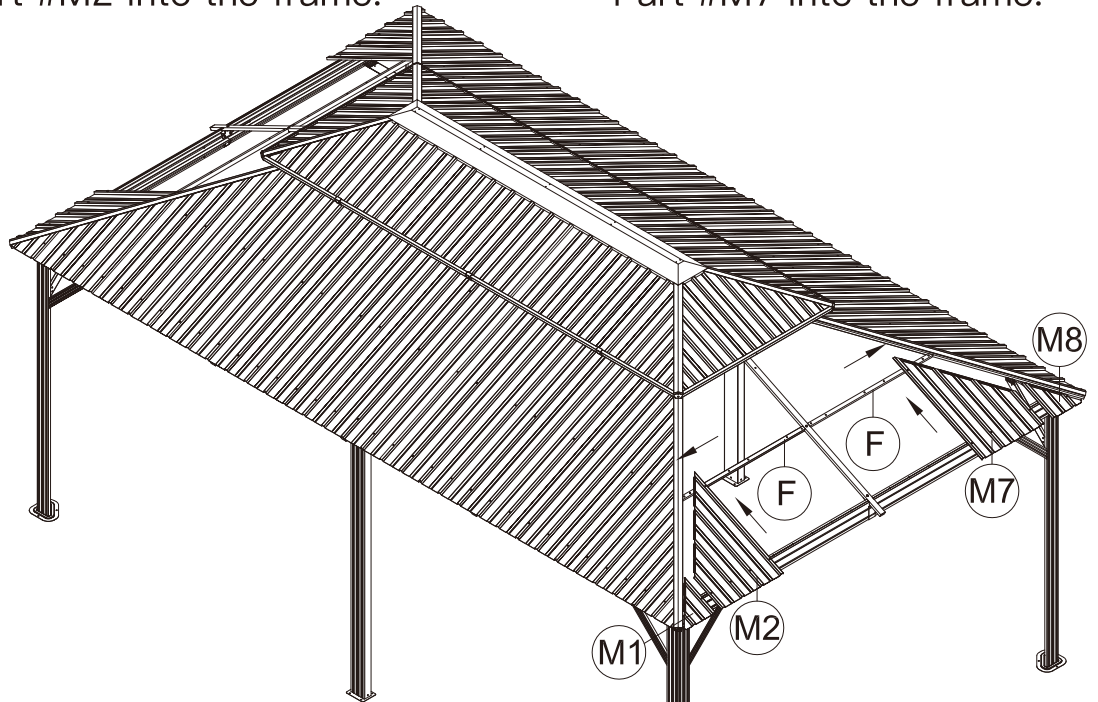
ATTENTION: The bigger roof panel need to cover the smaller one.



(1) Insert Part #M1 and Part #M2 into the frame.

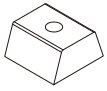


(2) Insert Part #M8 and Part #M7 into the frame.

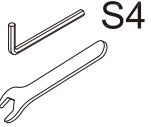


(3) Place 6 Part #W between roof panels and beams. Then secure with 6 Bolts #10 and 6 Nuts #5.

(4) Repeat the above procedures to assemble the opposite side.



W 20x



1 1x



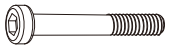
M6

5 20x



M6x28

10 12x



M6x50

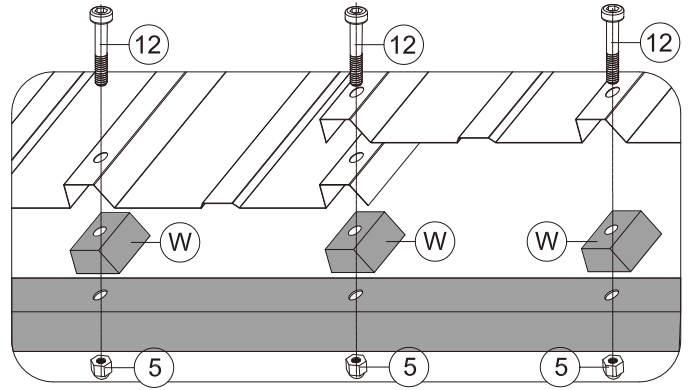
12 8x

ATTENTION: The bigger roof panel need to cover the smaller one.

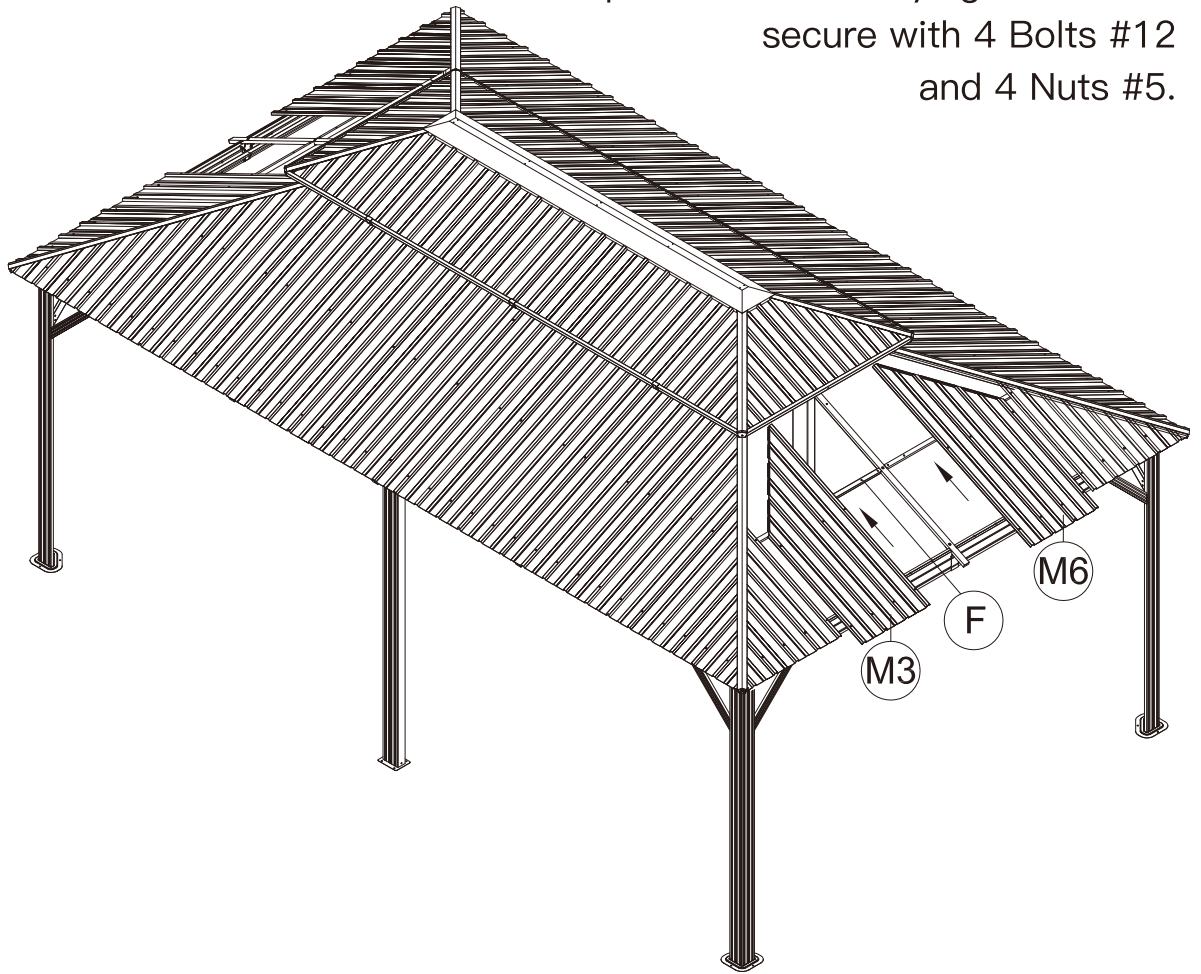
(1) Insert Part #M3 into the frame.



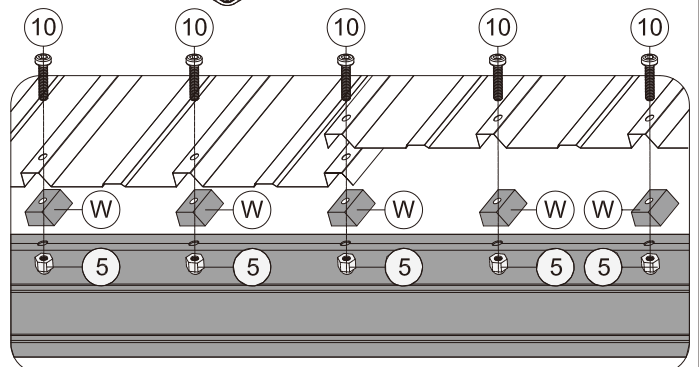
(2) Insert Part #M6 into the frame.



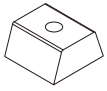
(3) Place 4 Part #W between roof panels and solidifying bars. Then secure with 4 Bolts #12 and 4 Nuts #5.



(4) Place 6 Part #W between roof panels and beams. Then secure with 6 Bolts #10 and 6 Nuts #5.



(5) Repeat the above procedures to assemble the opposite side.



W 24x



1 1x



M6

5 20x



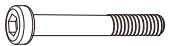
M6x25

9 4x



M6x28

10 12x

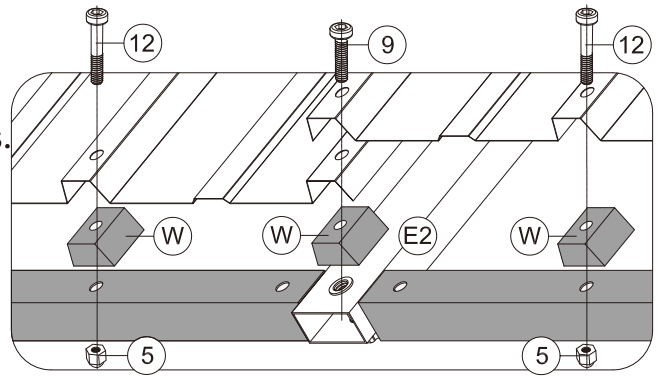


M6x50

12 8x

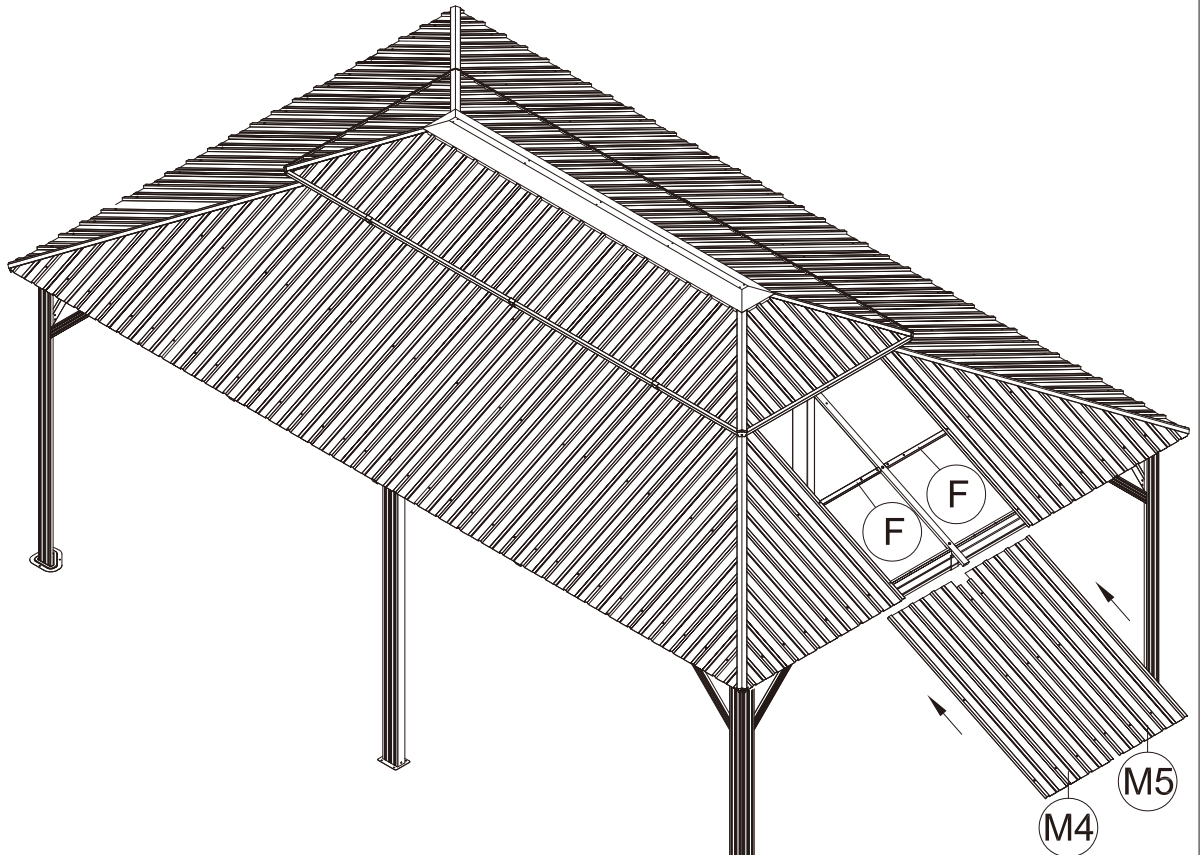
ATTENTION: The bigger roof panel need to cover the smaller one.

(1) Insert Part #M4 and Part #M5 into the frame.

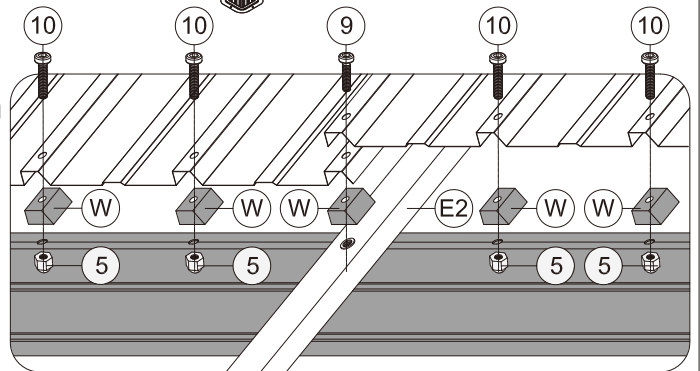


(2) Place 4 Part #W between roof panels and solidifying bars. Then secure with 4 Bolts #12 and 4 Nuts #5;

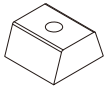
Place 1 Part #W between roof panels and Part #E2. Then secure with 1 Bolt #9.



(3) Place 6 Part #W between roof panels and beams. Then secure with 6 Bolts #10 and 6 Nuts #5; Place 1 Part #W between roof panels and Part #E2. Then secure with 1 Bolt #9.



(4) Repeat the above procedures to assemble the opposite side.



W 4x

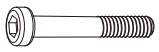


1 1x



M6

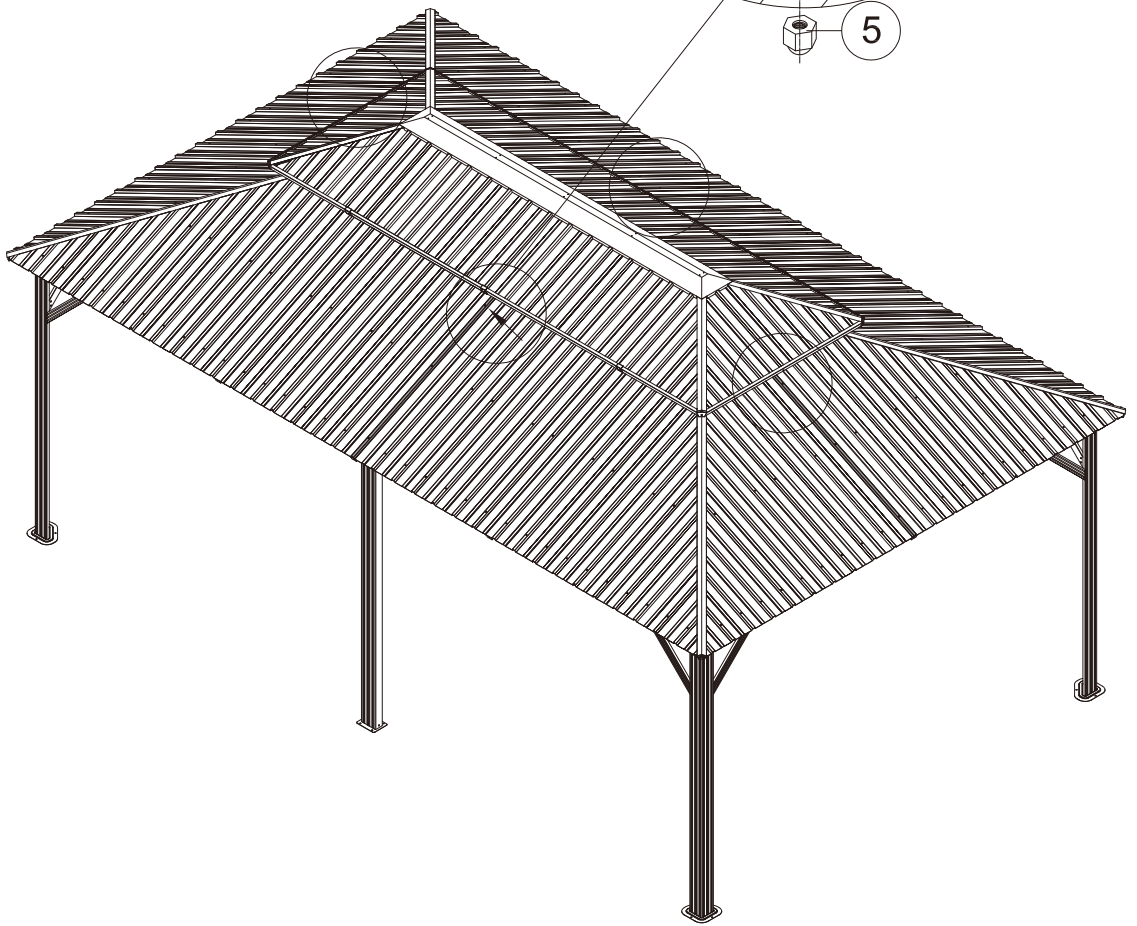
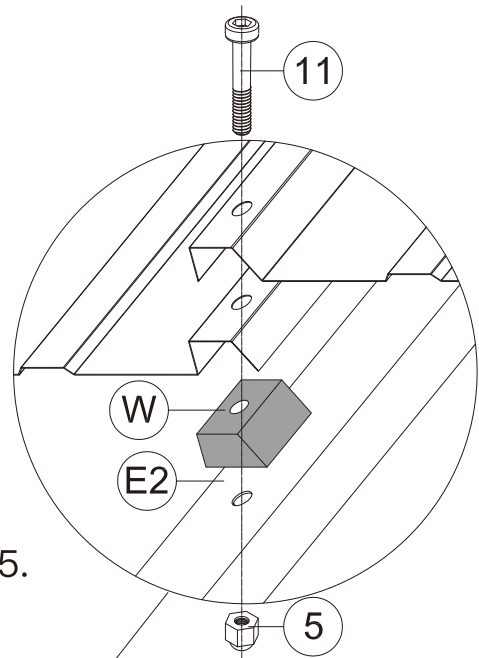
5 4x



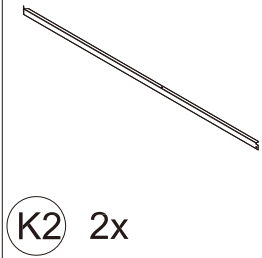
M6x45

11 4x

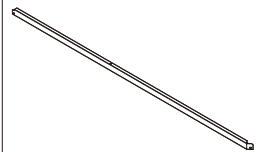
Place Part #W between roof panels and Part #E2. Then secure with Bolt #11 and Nut #5.



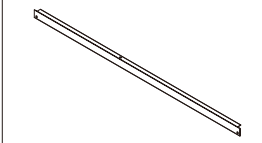
Repeat the above procedures to assemble the other 3 sides.



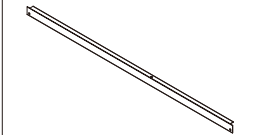
K2 2x



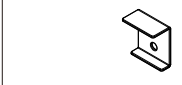
K3 2x



K4 2x



K5 2x

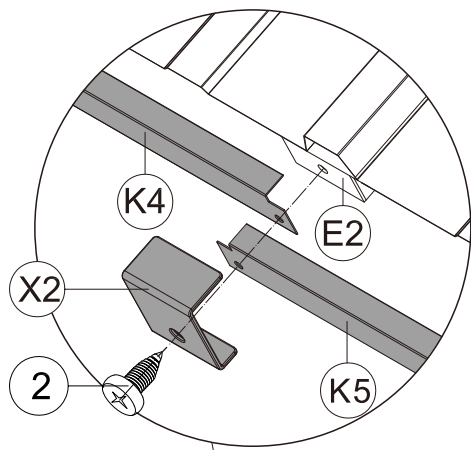


X2 6x

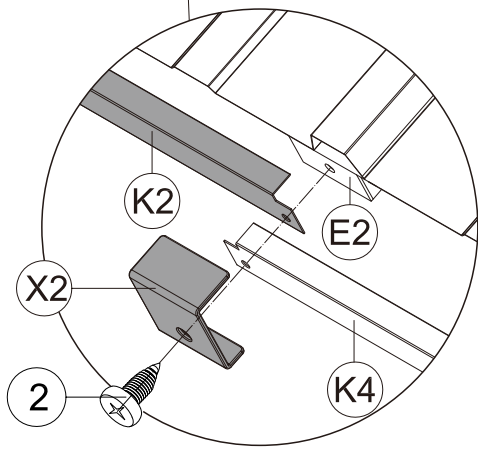
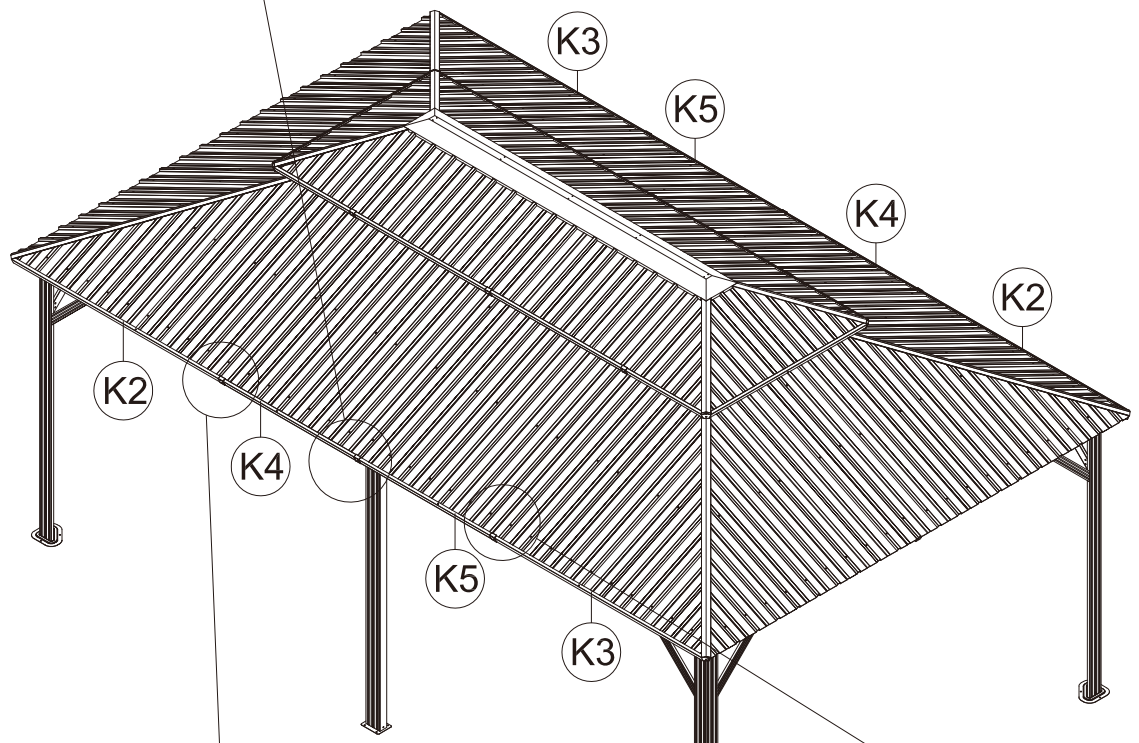


ST6.3x15

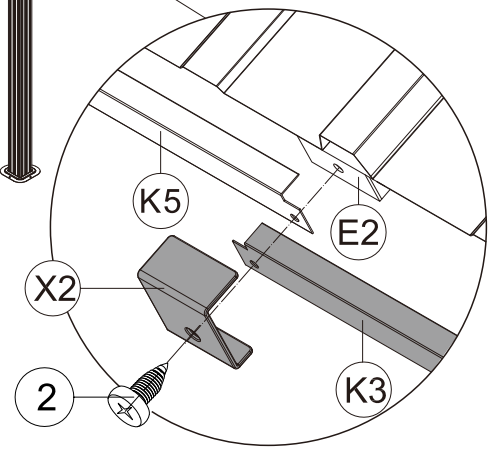
2 6x



(1) Place Part #K4 and Part #K5 on Part #E2; Put on Part #X2 and secure with Bolt #2.

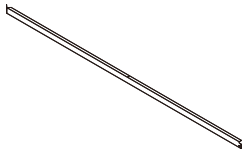


(2) Place Part #K2 on Part #K4 and Part #E2; Put on Part #X2 and secure with Bolt #2.

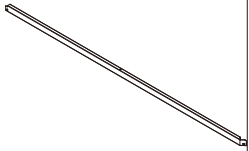


(3) Place Part #K3 on Part #K5 and Part #E2; Put on Part #X2 and secure with Bolt #2.

(4) Repeat the above procedures to assemble the opposite side.



(K) 2x



(K1) 2x



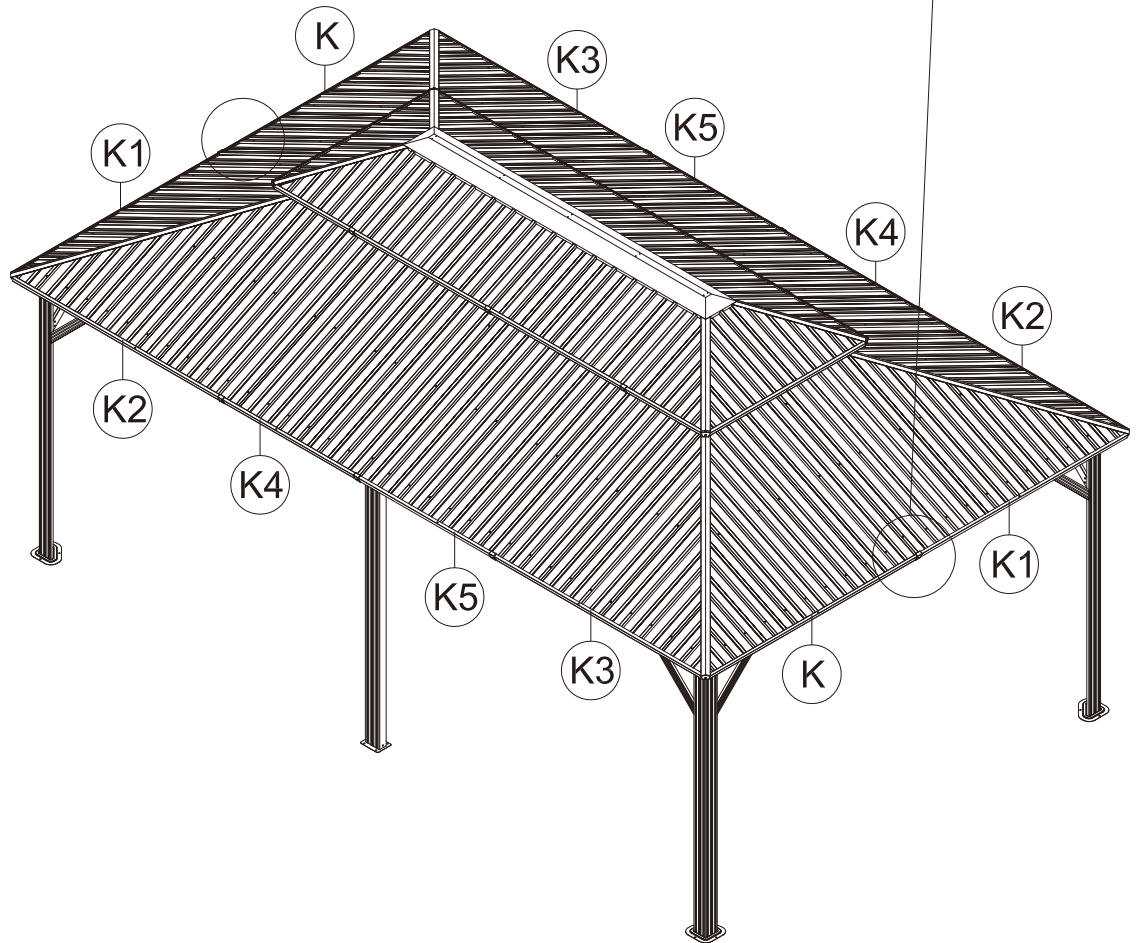
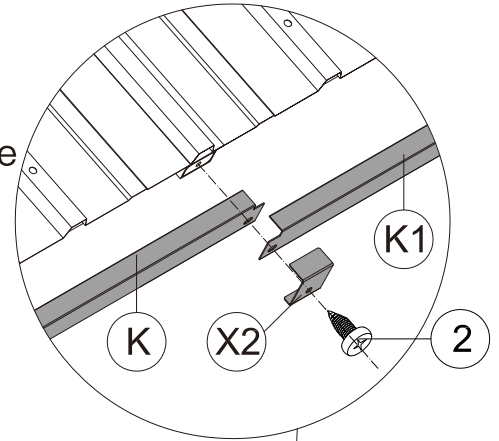
(X2) 2x



ST6.3x15

(2) 2x

(1) Attach Part #K and Part #K1 to the frame; Put on Part #X2 and secure with Bolt #2.



(2) Repeat the above procedures to assemble the opposite side.

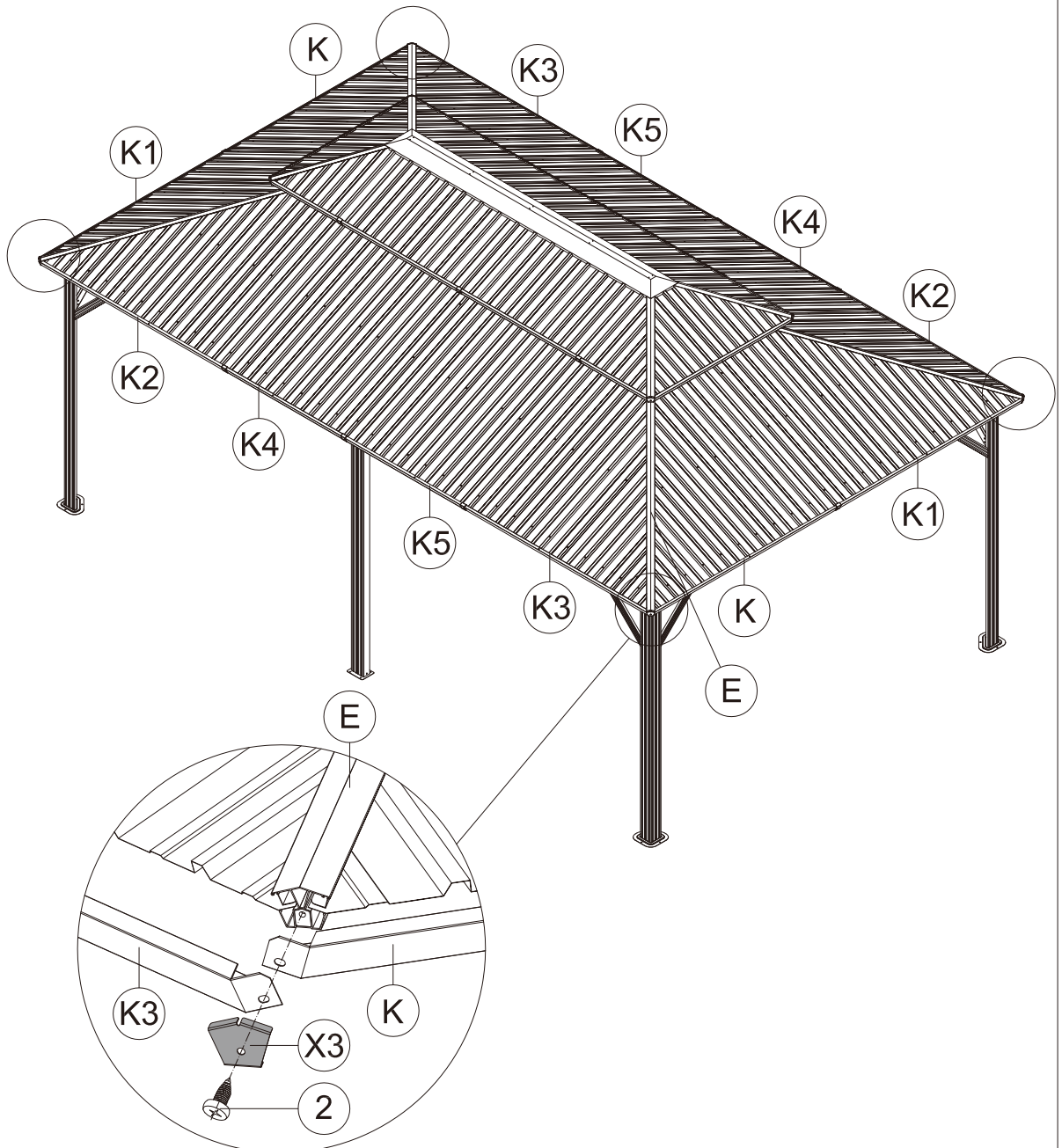


X3 4x



ST6.3x15

2 4x



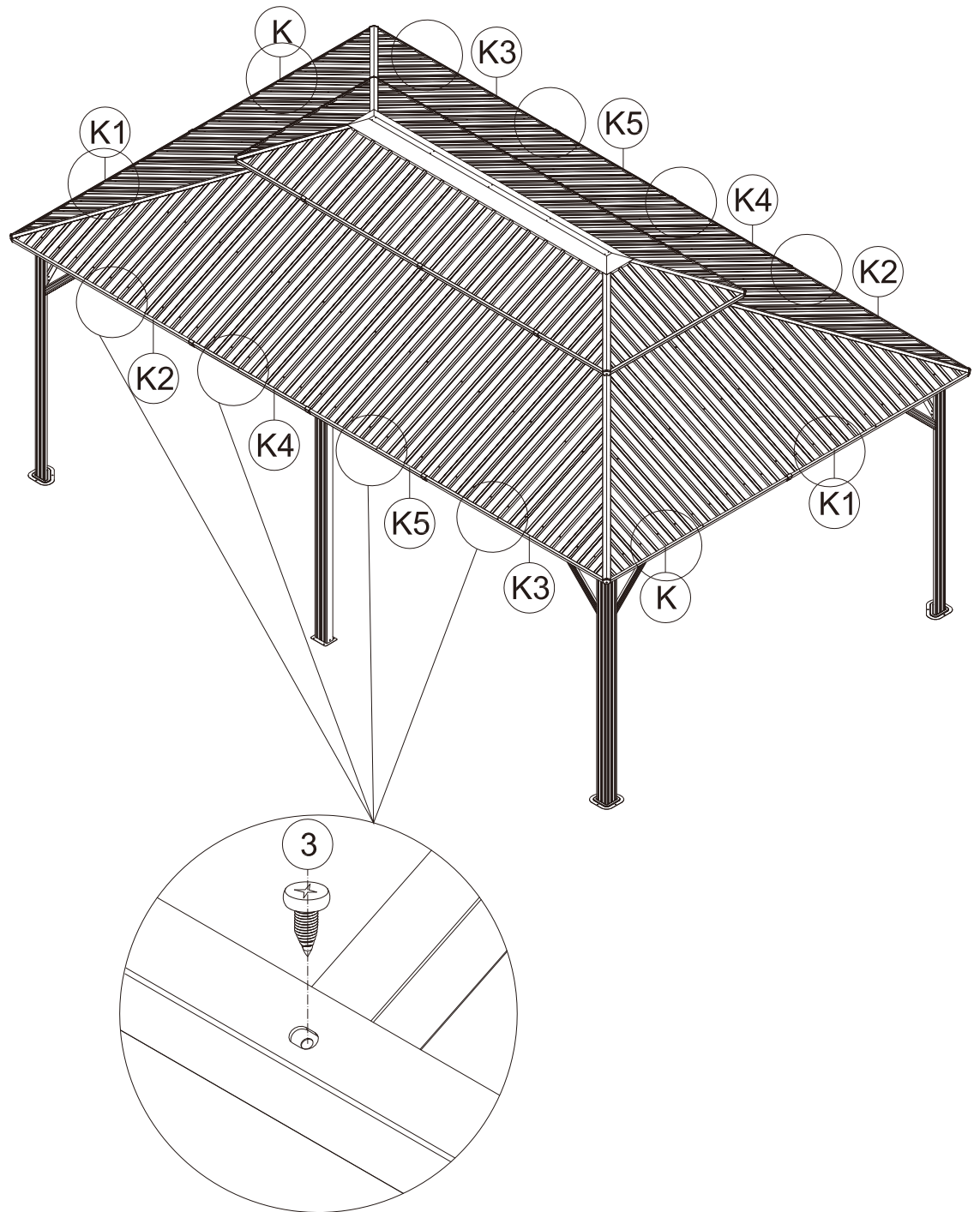
(1) Place Part #K3 and Part #K on Part #E;
Put on Part #X3 and secure with Self-tapping Screw #2.

(2) Repeat the above procedures to assemble the other 3 corners.



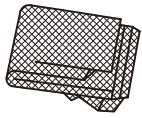
ST5x16

3 12x

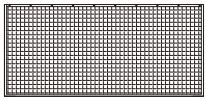


(1) Attach roof panels to finishing bars with 4 Self-tapping Screws #3.

(2) Repeat the above procedures to assemble the other 3 sides.

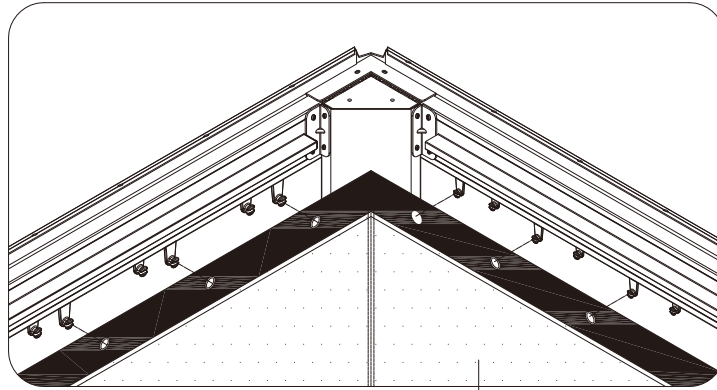


Y1 4x

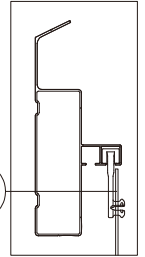


Y2 2x

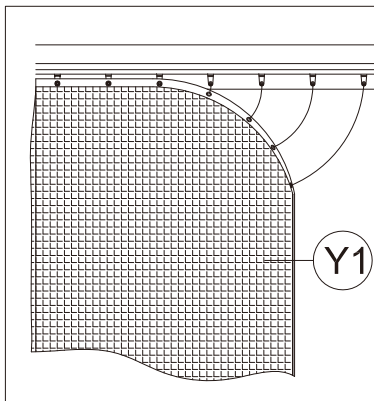
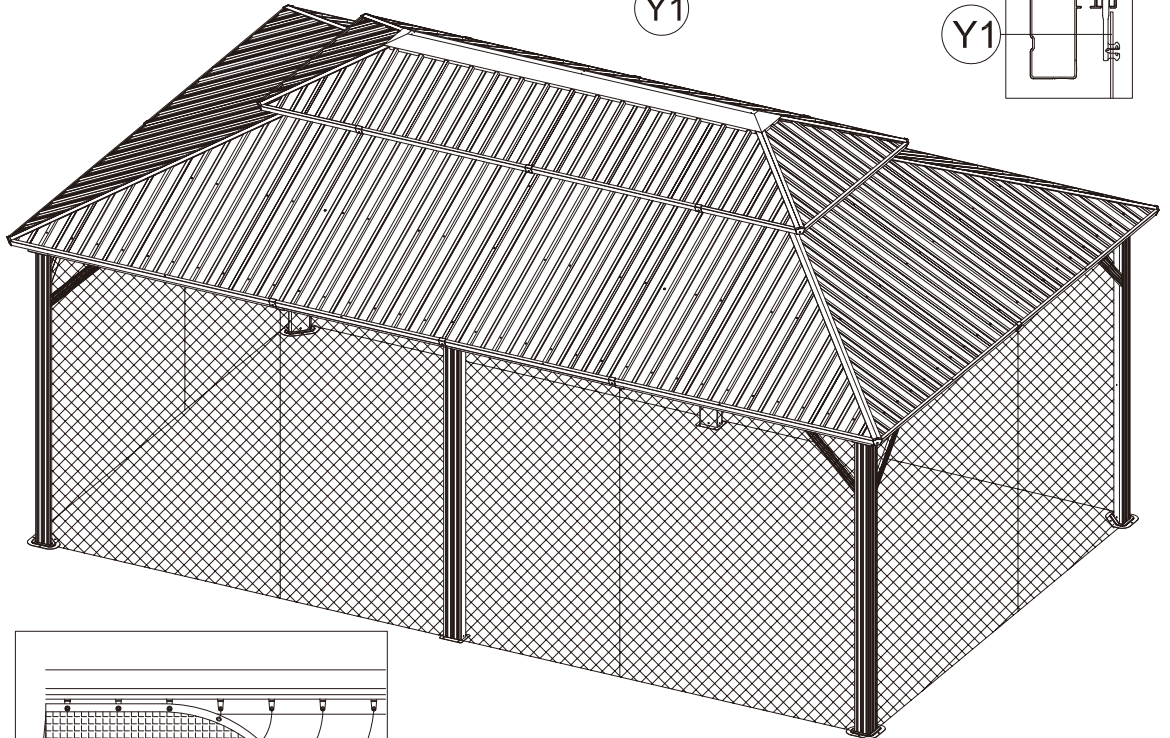
Hang up Mosquito Sidewalls to Inside Track



Y1



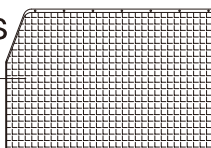
Y1



Y1

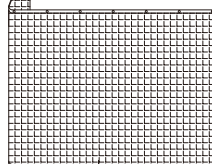
7 Hooks

Y1



7 Hooks

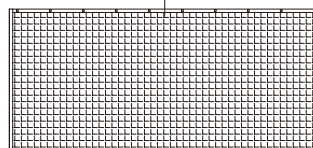
7 Hooks



7 Hooks

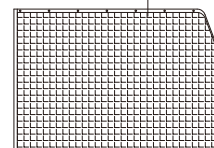
Y1

Y2 10Hooks



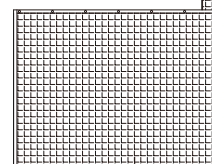
Y1

7 Hooks



7 Hooks

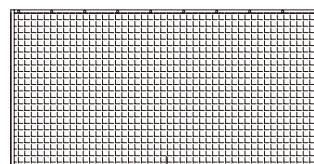
7 Hooks



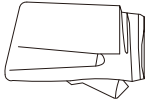
7 Hooks

Y1

Y2 10Hooks



Y2

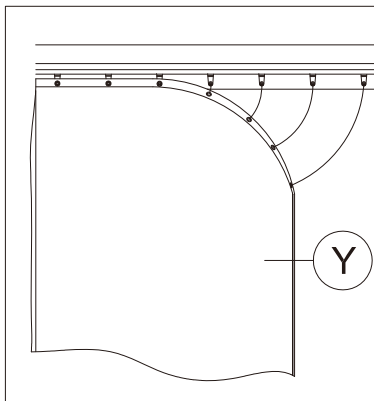
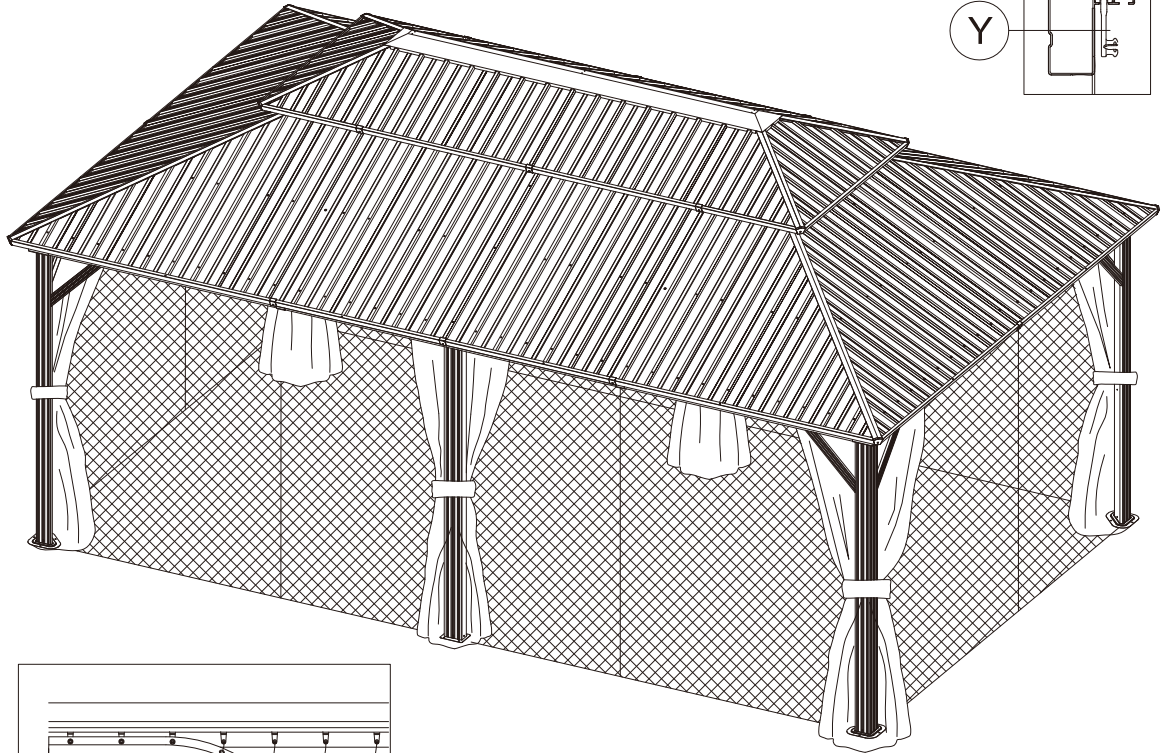
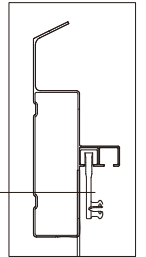
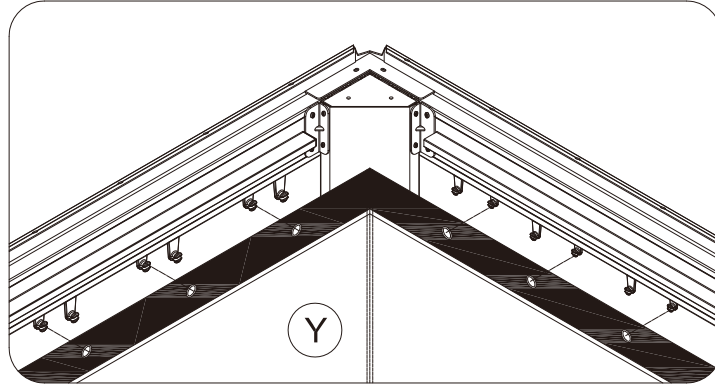


Y 4x



Y3 2x

Hang up Solid Sidewalls to Outside Track



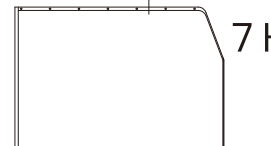
7 Hooks

Y

Y3 10Hooks

Y

7 Hooks

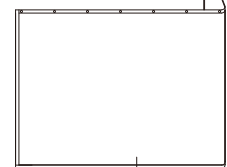
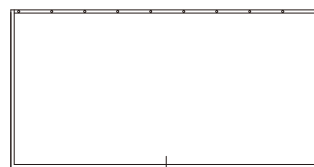
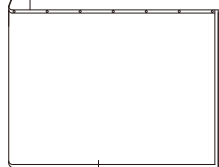
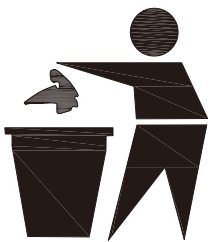


7 Hooks

7 Hooks

7 Hooks

7 Hooks



Y 7 Hooks

Y3 10Hooks

Y 7 Hooks



Thanks for your purchase.

At domi outdoor living, we believe in our products.

That's why we provide a 12-month warranty and friendly, easy-to-reach after-sales service. So, if you have any questions about our product or assembly, please feel free to contact us. We are here for you.

Support:  

After-sales contact email:

service@domioutdoorliving.com

Business cooperation contact email:

marketing@domioutdoorliving.com

Please have your order ID available if you reach out for support.

If you have damaged parts or product, please send us photos for an immediate response.