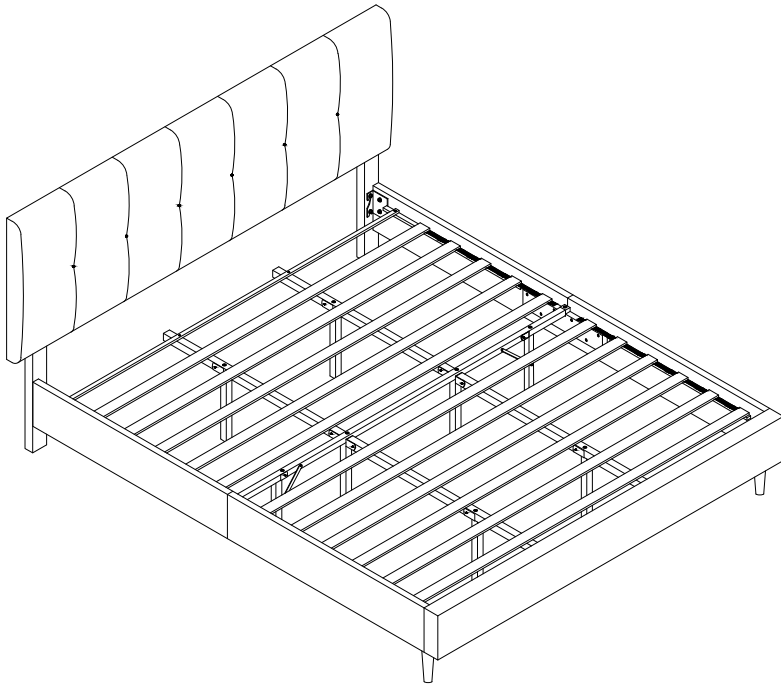


ASSEMBLY INSTRUCTION



WARNING: OPEN THE HEADBOARD BACK ZIPPER, THE BED REST PARTS IN IT.



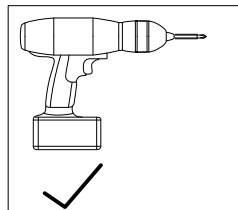
**Please TEAR OFF this shrink film from side!
DO NOT USE CUTTER!**

IMPORTANT NOTE

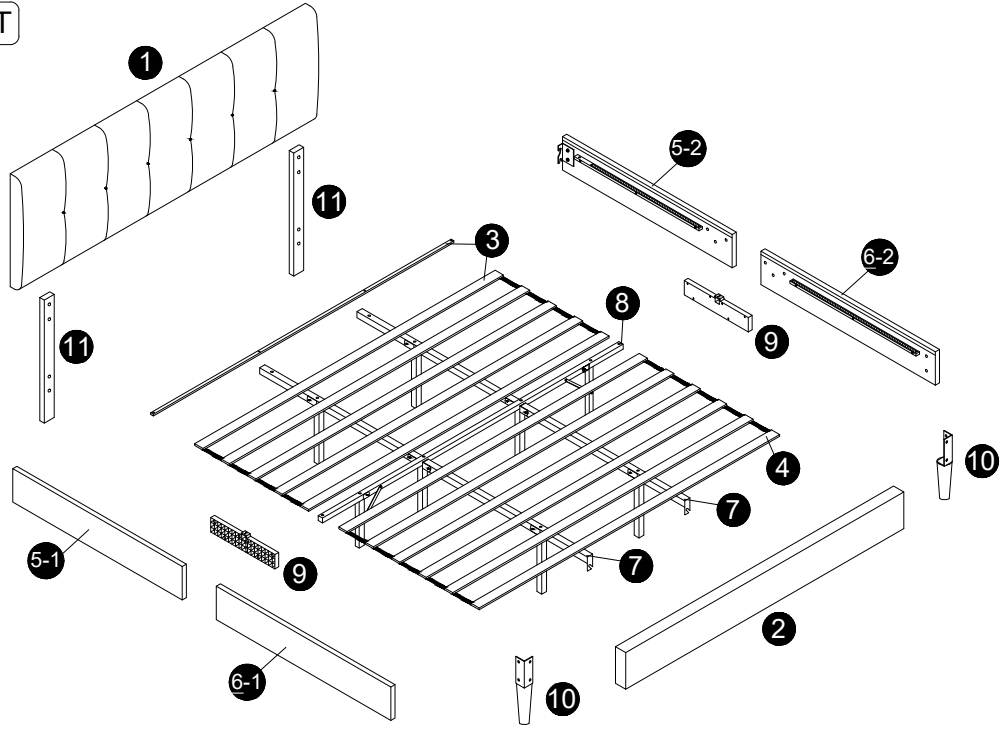
- 1. All other components are stored inside the headboard. Before proceeding with assembly, please open the zipper located on the headboard and remove all components.**
2. For the protection of your furniture, place all parts on a clean and smooth surface to prevent any damage.
3. Keep fittings out of children's reach and keep children well away from construction area.
4. When moving your assembled bed. it is best to lift the bed and never to drag it.
5. Do not use this product if parts are missing, damaged or worn.
6. This product should only be used on firm, level ground.
7. Please periodically check all fittings and re-tighten as necessary.
8. Do not use the bed unless all bolts and screws are firmly secured.
9. For further assistance, please provide a screenshot of your order and contact us via email at



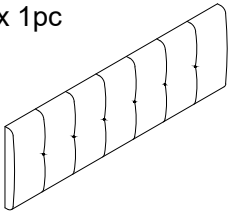
Minimum two
person assembly



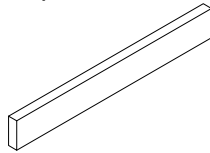
PART LIST



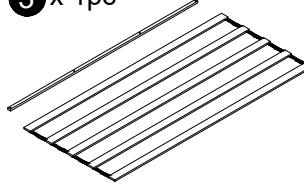
1 x 1pc



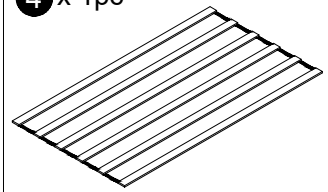
2 x 1pc



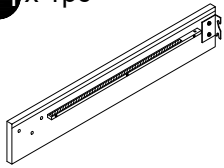
3 x 1pc



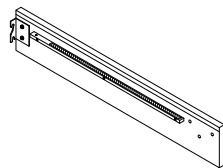
4 x 1pc



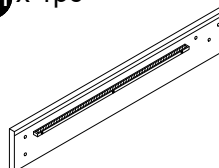
5-1 x 1pc



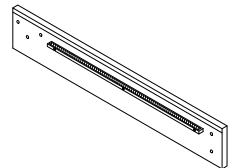
5-2 x 1pc



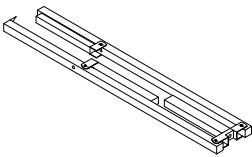
6-1 x 1pc



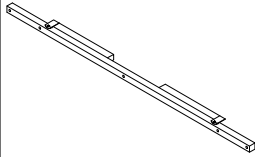
6-2 x 1pc



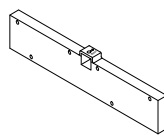
7 x 2pcs



8 x 1pc



9 x 2pcs



10 x 2pcs



11 x 2pcs



HARDWARE LIST



H1 M5 x 1pc



H2 M8x20mm x 10pcs



H3 M8x25mm x 4pcs



H4 M8x40mm x 26pcs



H5 M8 x 8pcs



H6 M8x22mm x 8pcs



H7 M8x60mm x 2pcs

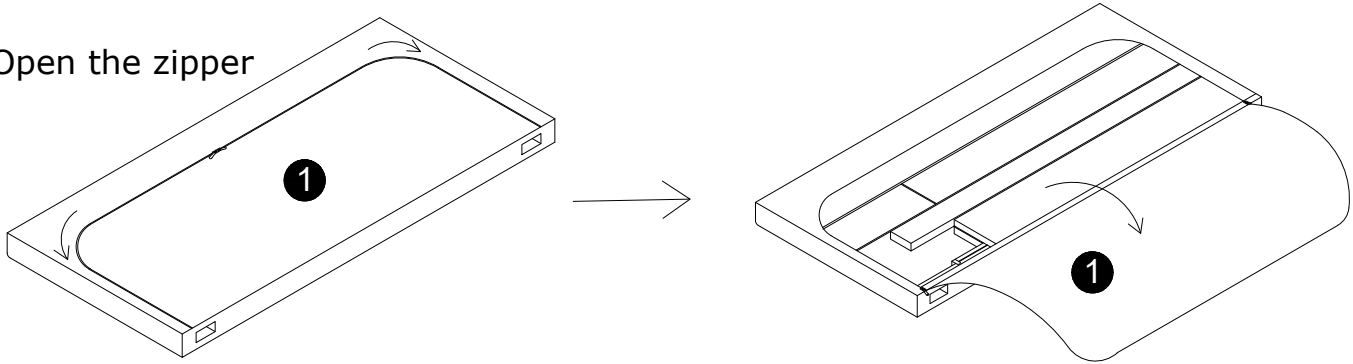


H8 M8x50mm x 2pcs

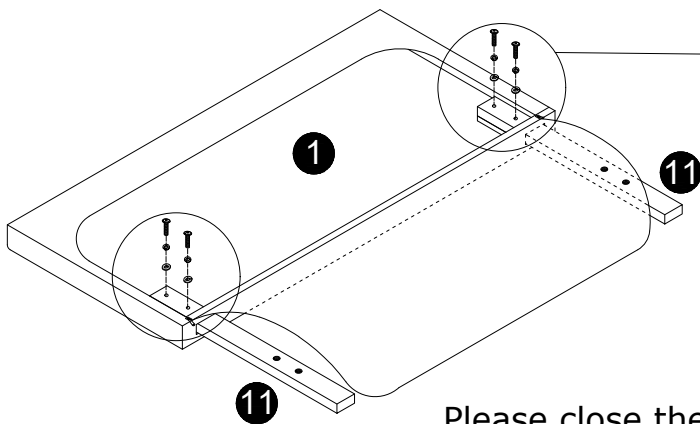
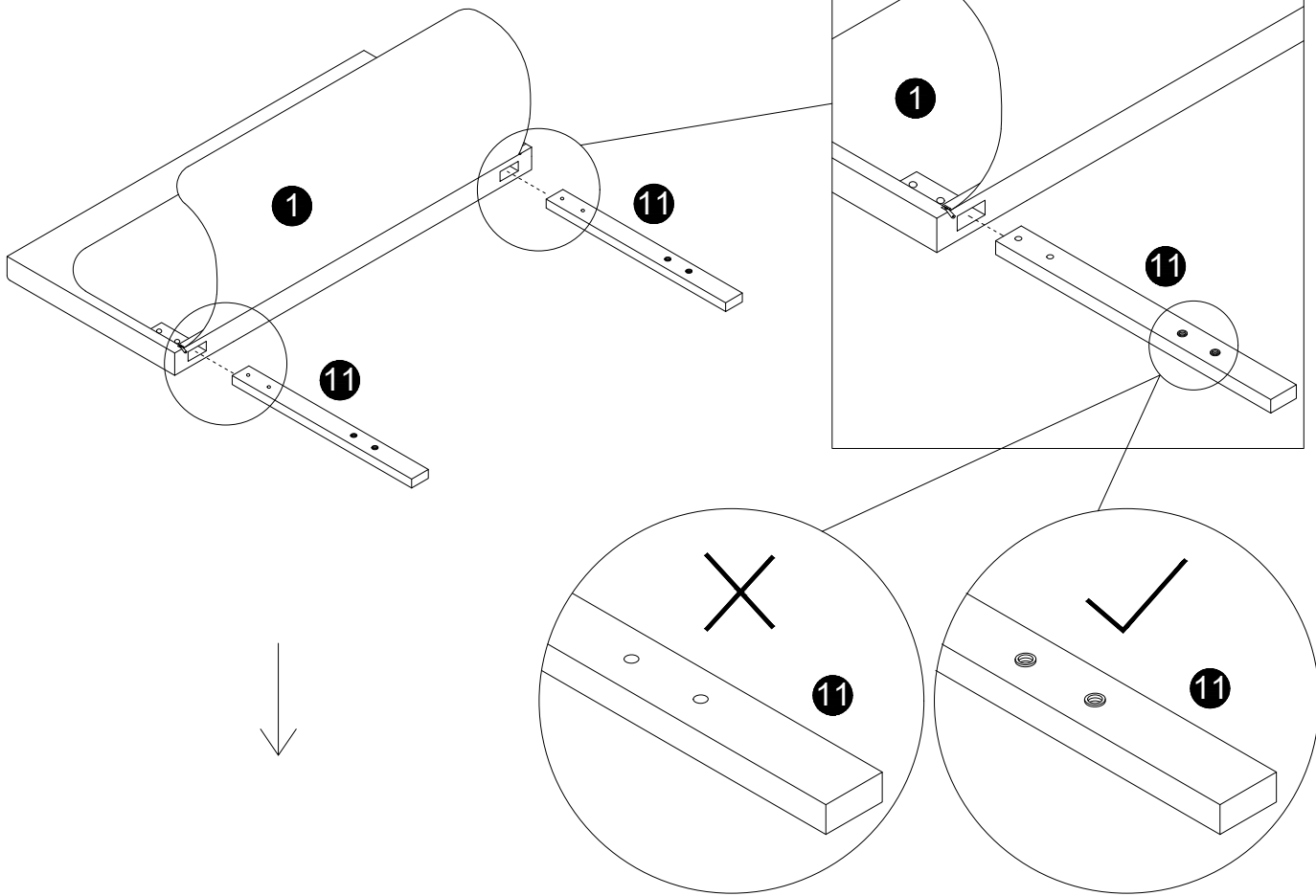
Please ensure to thoroughly inspect the small inner cardboard box containing the hardware, which are tied with a red string, before disposing of the box.

1 **NOTE:** PLEASE OPEN THE ZIPPER ON THE BACK OF **1** AND TAKE OUT THE PARTS.

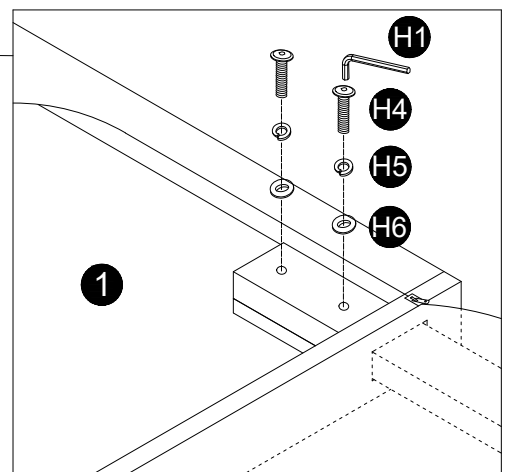
Open the zipper



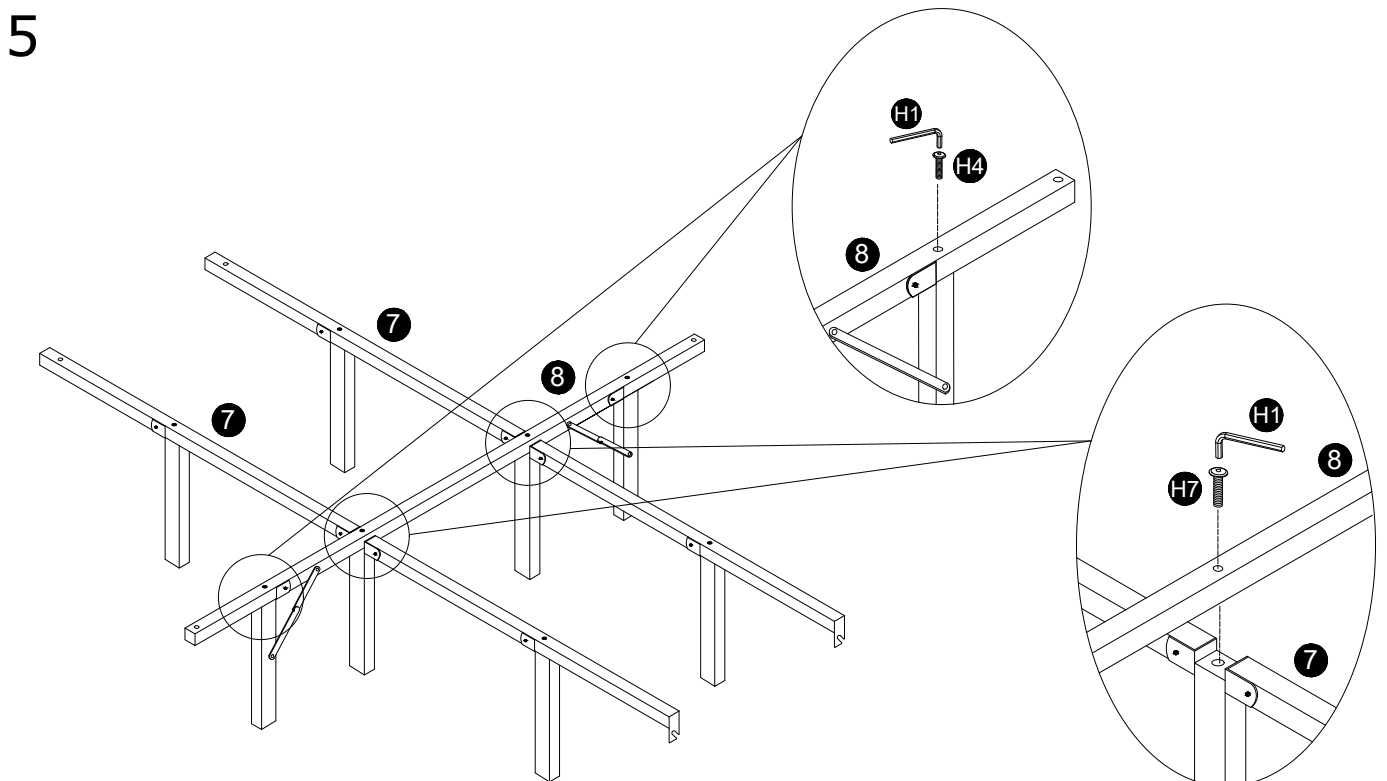
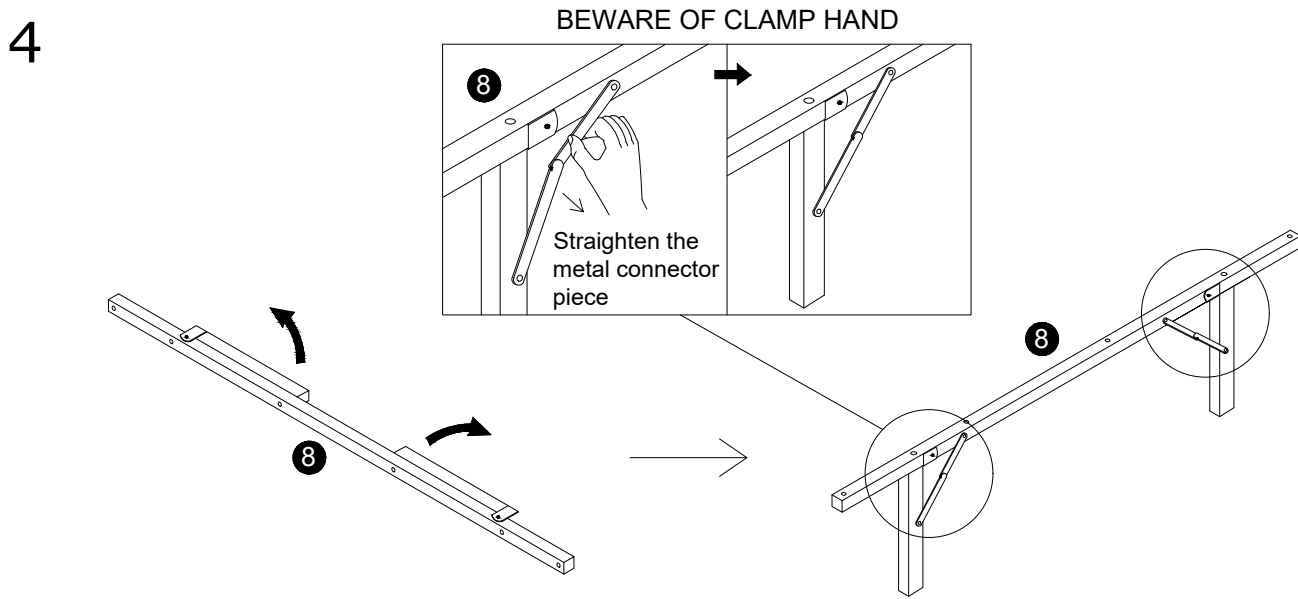
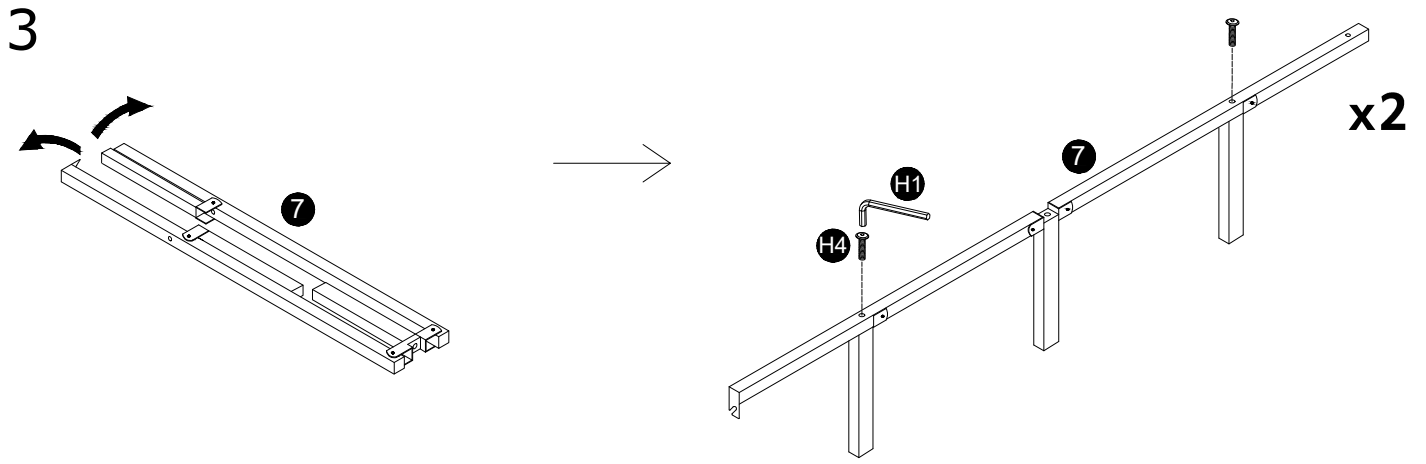
2



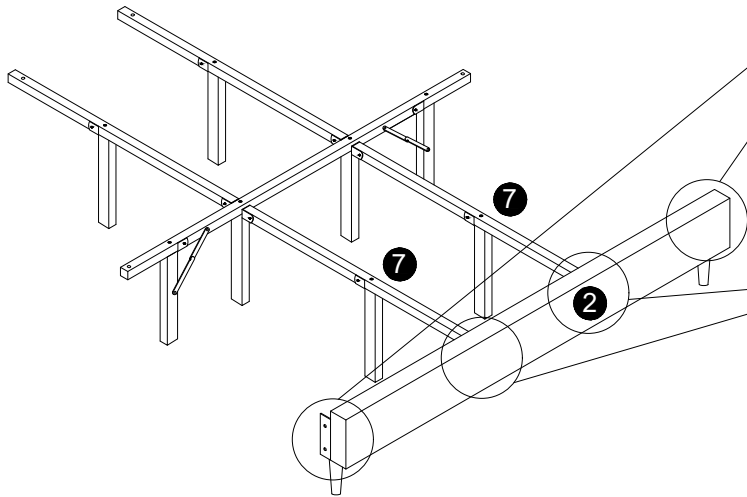
Please close the zipper before go to next step.



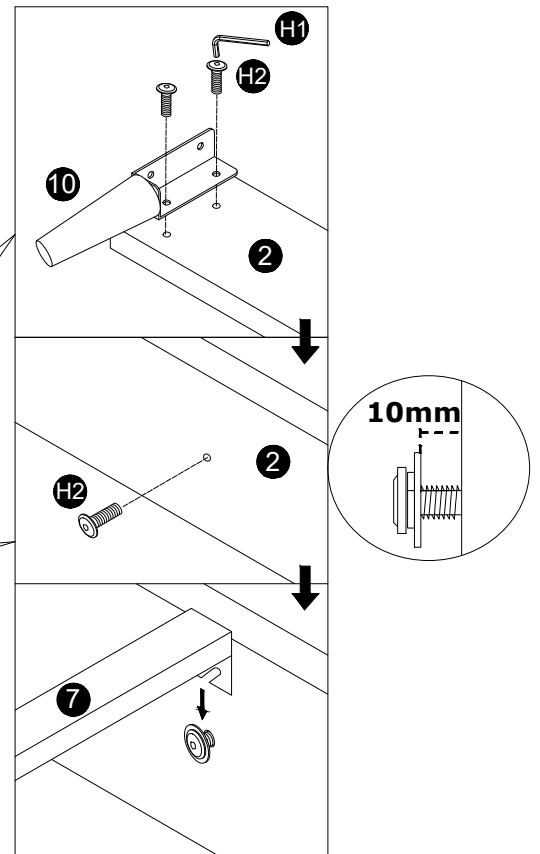
3



6

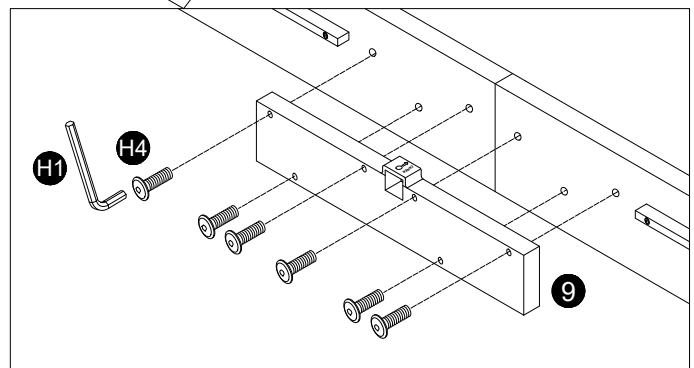
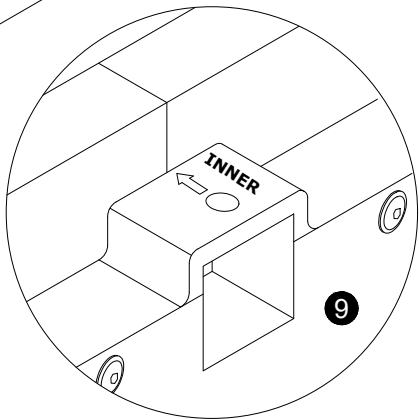
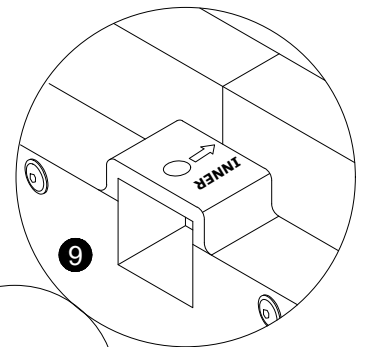
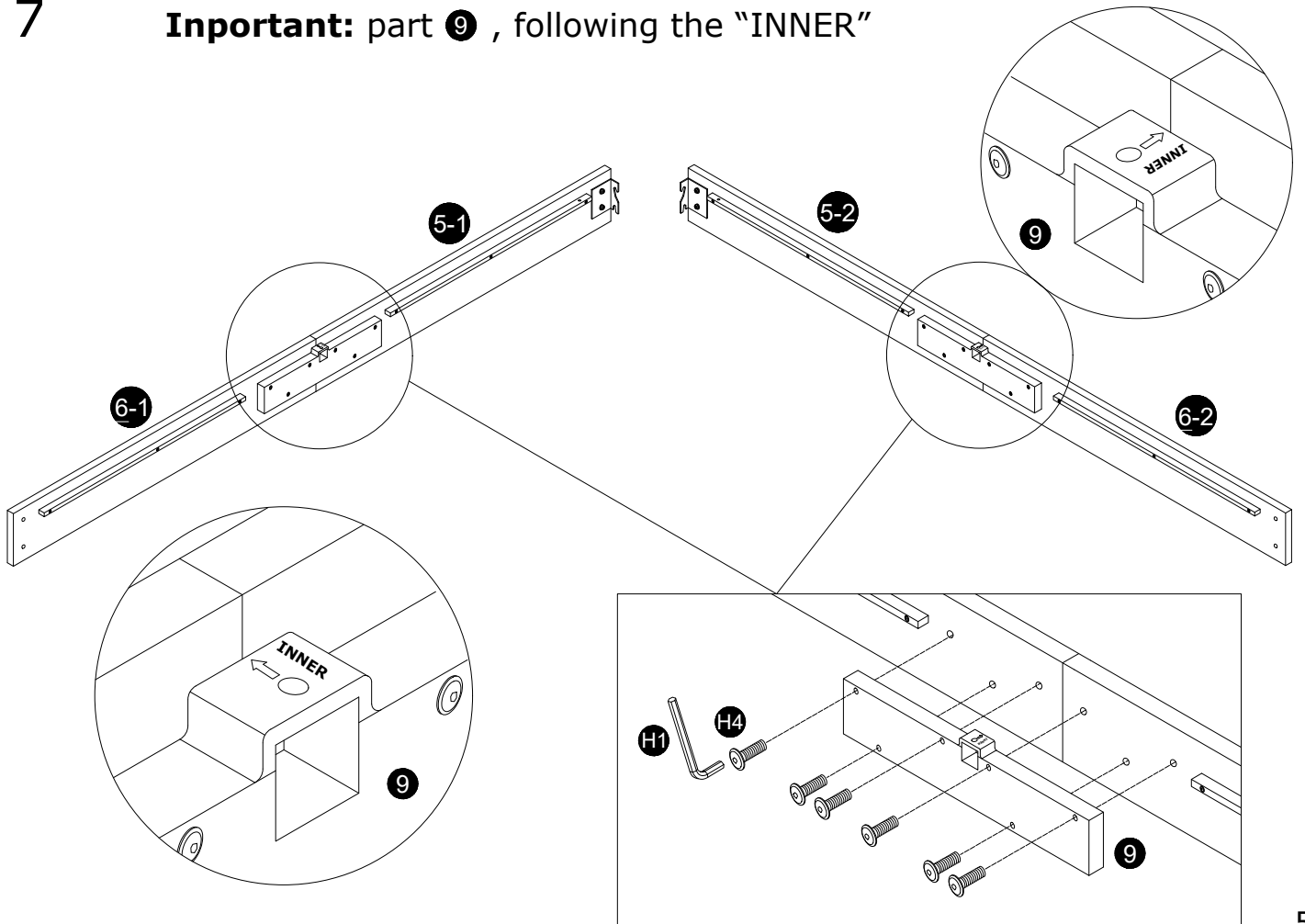


Do not fully tighten fixings!



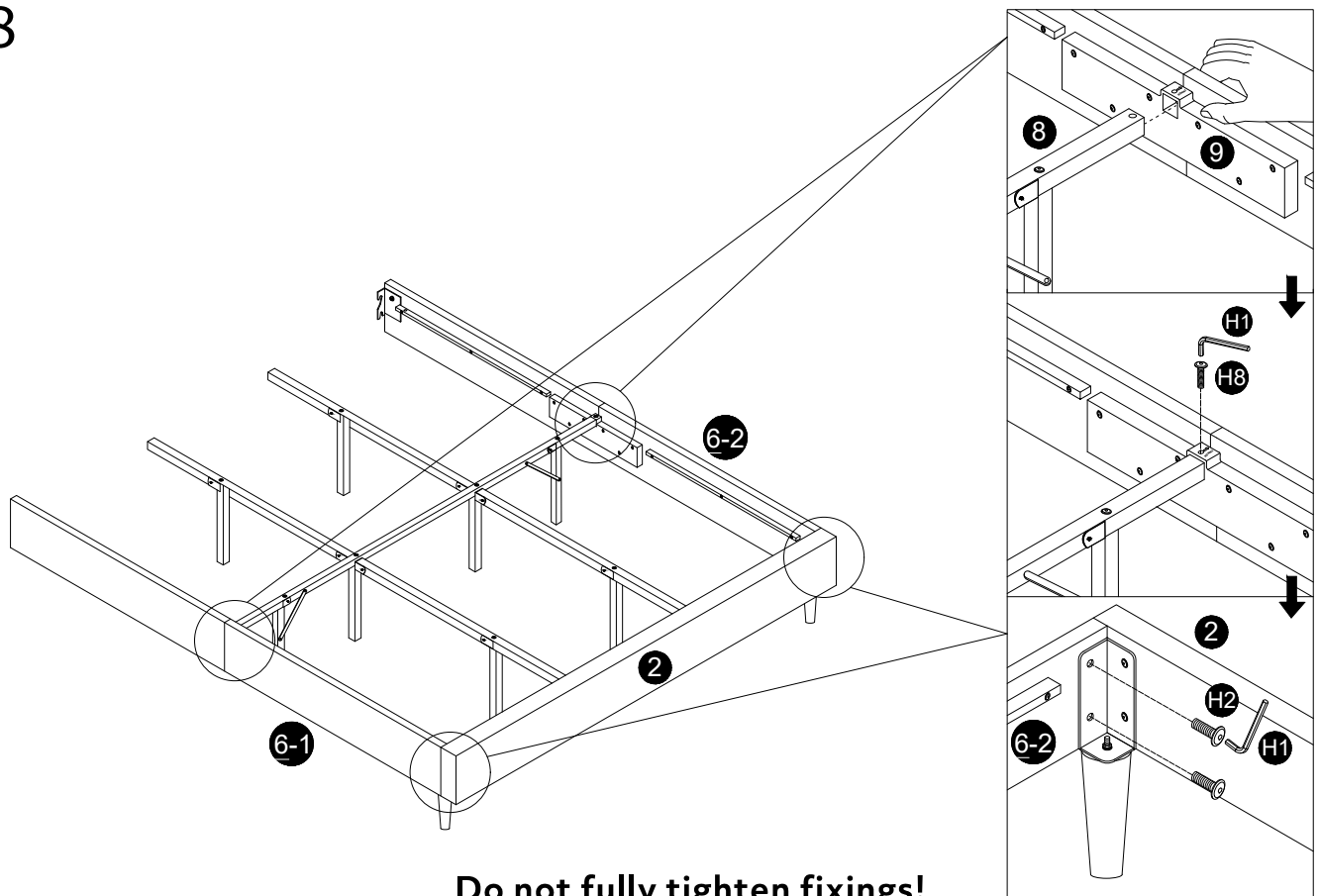
7

Important: part 9 , following the "INNER"



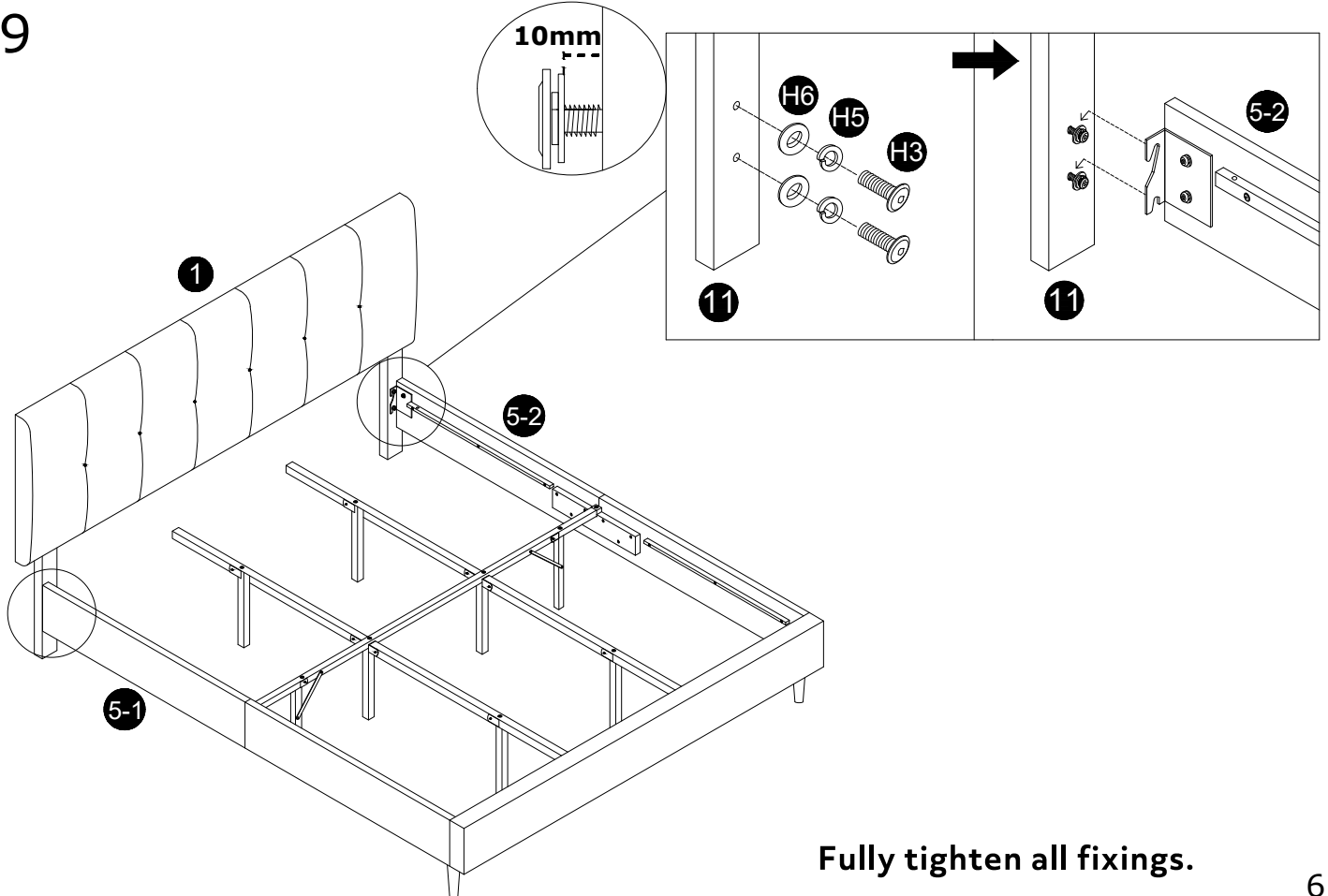
5

8



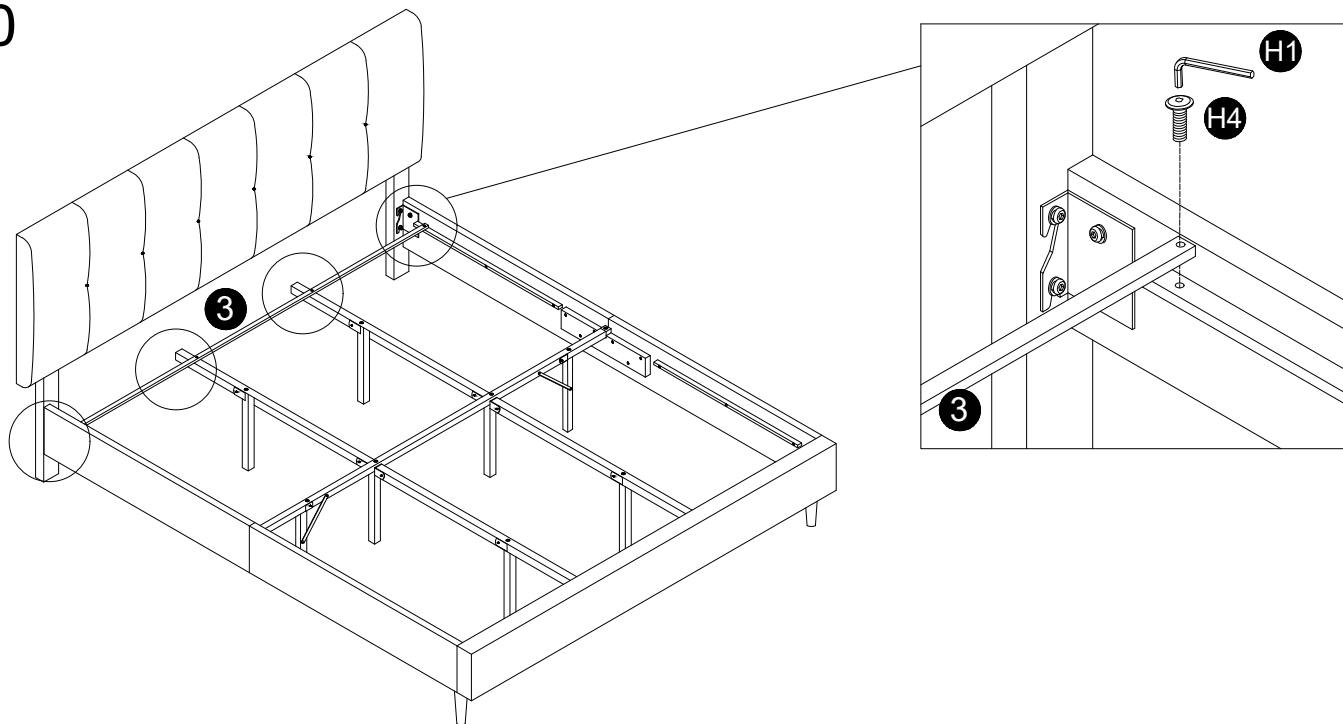
Do not fully tighten fixings!

9

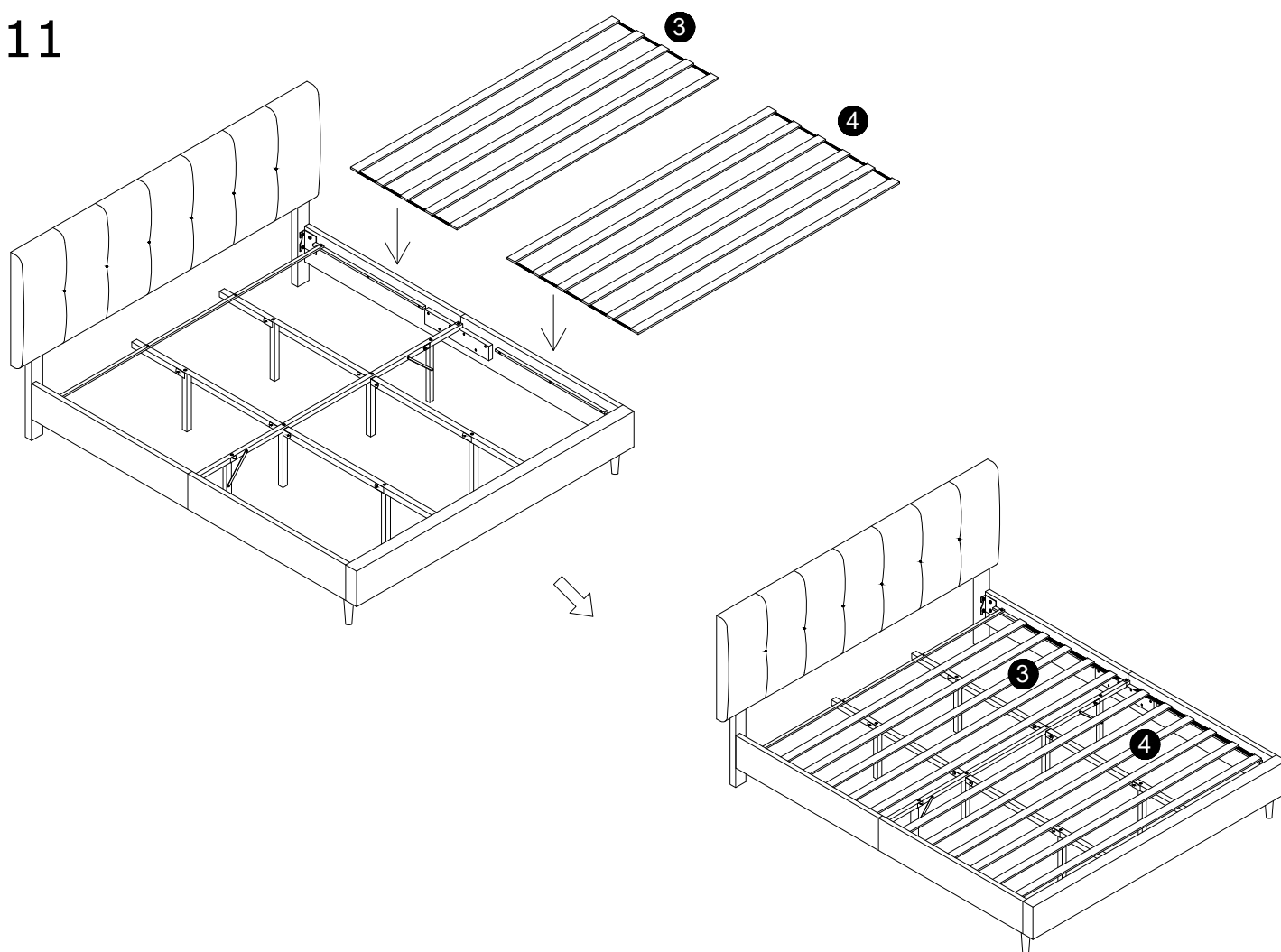


Fully tighten all fixings.

10



11



Job Complete !

In the interest of our environment please dispose of all packaging thoughtfully.