

ASSEMBLY INSTRUCTIONS



California King Bed

ASSEMBLY INSTRUCTIONS

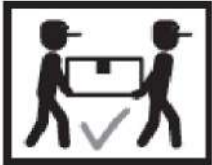
ASSEMBLY TIPS:

1. Remove hardware from box and sort by size.
2. Please check to see that all hardware and parts are present prior to start of assembly.
3. Please follow attached instructions in the same sequence as numbered to assure fast & easy assembly.

WARNING!



1. Don't attempt to repair or modify parts that are broken or defective. Please contact the store immediately.
2. This product is for home use only and not intended for commercial establishments.



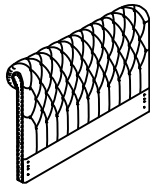
ASSEMBLY TIME

30 MINUTES

PARTS IDENTIFICATION

B1(BOX1)

AV HEADBOARD PANEL



1PC

BV HEADBOARD LEG



2PCS

B2(BOX2)

CV FOOTBOARD LEG



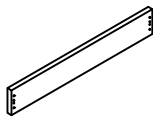
2PCS

DV BED RAIL



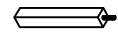
2PCS

EV FOOTBOARD PANEL



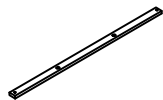
1PC

FV CENTER RAIL SUPPORT WITH LEVELER



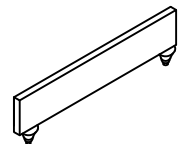
10PCS

GV BED SLAT



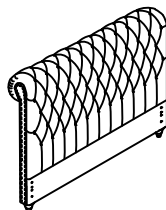
5PCS

FBV ^(B2)
X2
FOOTBOARD COMPLETE



1PC

HBV ^(B1)
FROM BOX1
HEADBOARD COMPLETE



1PC

ASSEMBLY INSTRUCTIONS

ASSEMBLY TIPS:

1. Remove hardware from box and sort by size.
2. Please check to see that all hardware and parts are present prior to start of assembly.
3. Please follow attached instructions in the same sequence as numbered to assure fast & easy assembly.







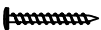


WARNING!

1. Don't attempt to repair or modify parts that are broken or defective. Please contact the store immediately.
2. This product is for home use only and not intended for commercial establishments.

HARDWARE IDENTIFICATION

Z-B2(BOX2)-HARDWARE PACK IS LOCATED

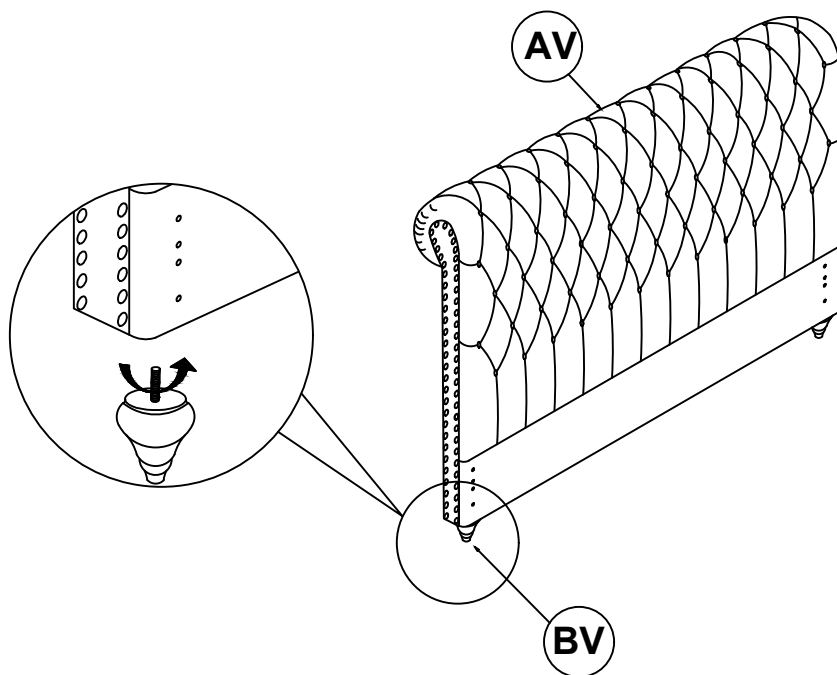
1	ALLEN WRENCH (5MM-RBW)		1PC	2	BOLT (Ø 5/16 "X32mm-RBW)		24PCS
3	HEADBOARD CORNER BRACKET -RIGHT (200mmX60mmX40mmX2mm-RBW)		2PCS	4	HEADBOARD CORNER BRACKET -LEFT (200mmX60mmX40mmX2mm-RBW)		2PCS
5	LOCK WASHER (Ø 5/16 "-RBW)		24PCS	6	FLAT WASHER (Ø 5/16 "-RBW)		24PCS
7	FLAT HEAD SCREW (m4x30mm-RBW)		10PCS				

NOTE:

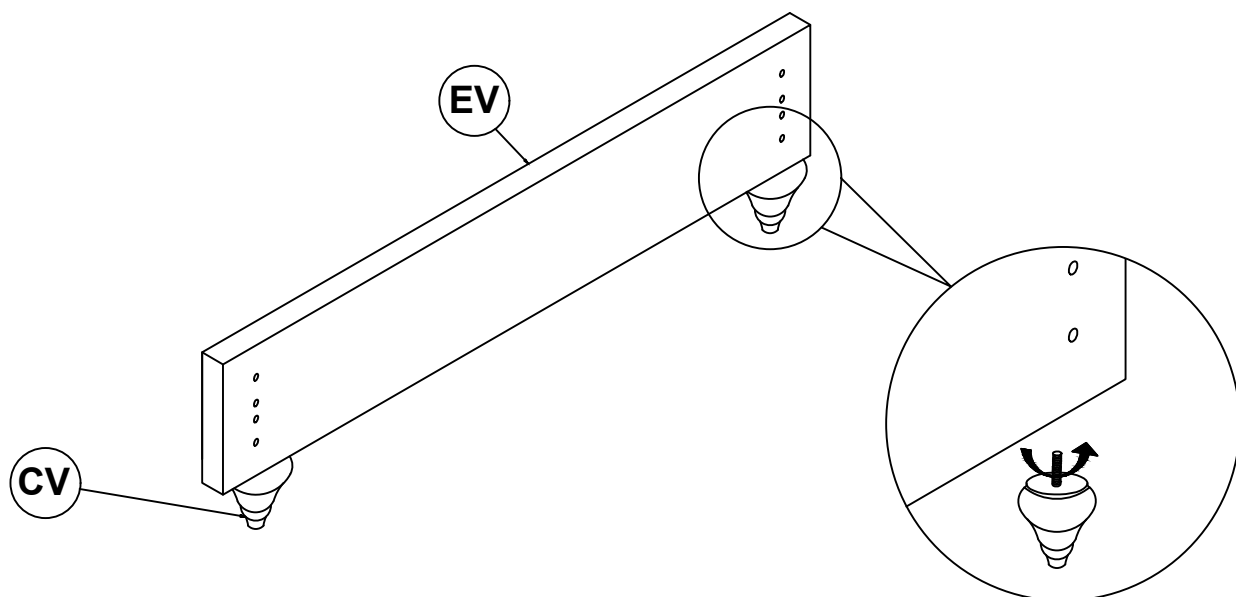
Phillips head screw driver is required in the assembly process; however, manufacturer does not provide this item.

ASSEMBLY INSTRUCTIONS

STEP 1

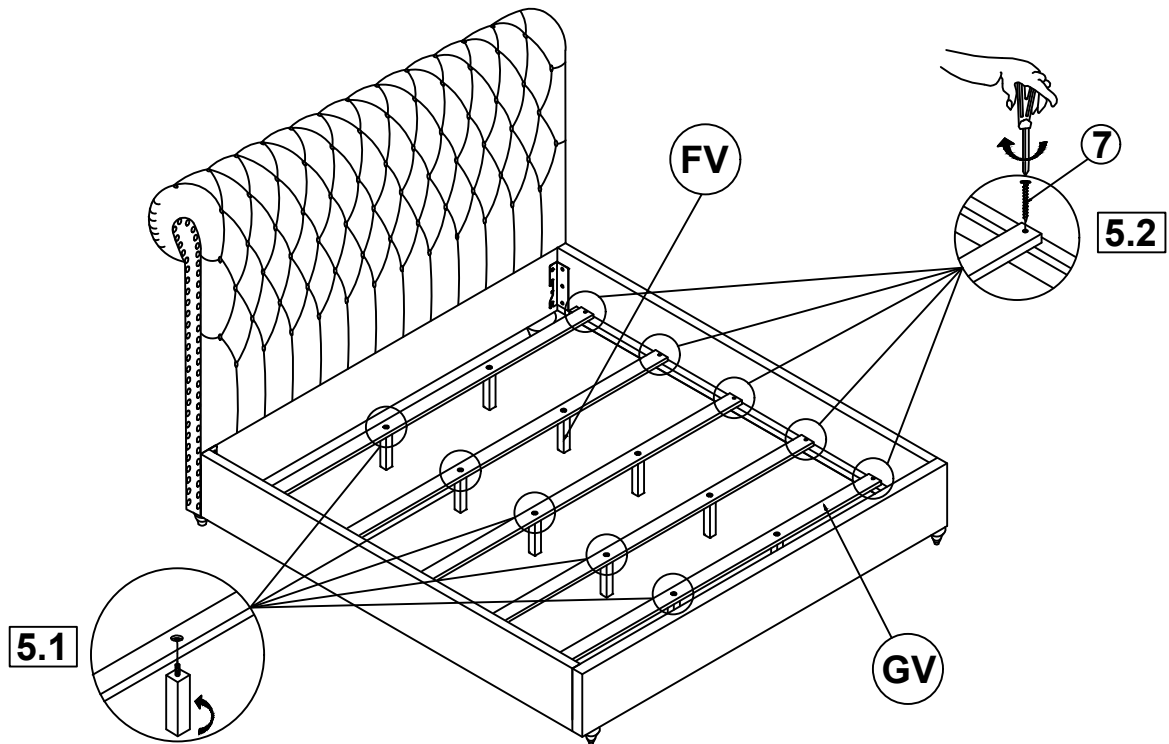


STEP 2

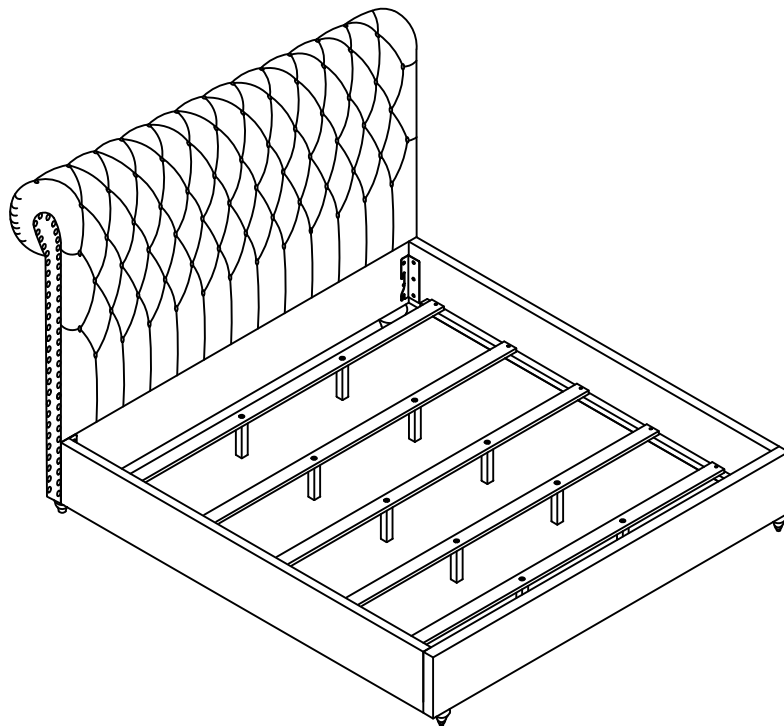


ASSEMBLY INSTRUCTIONS

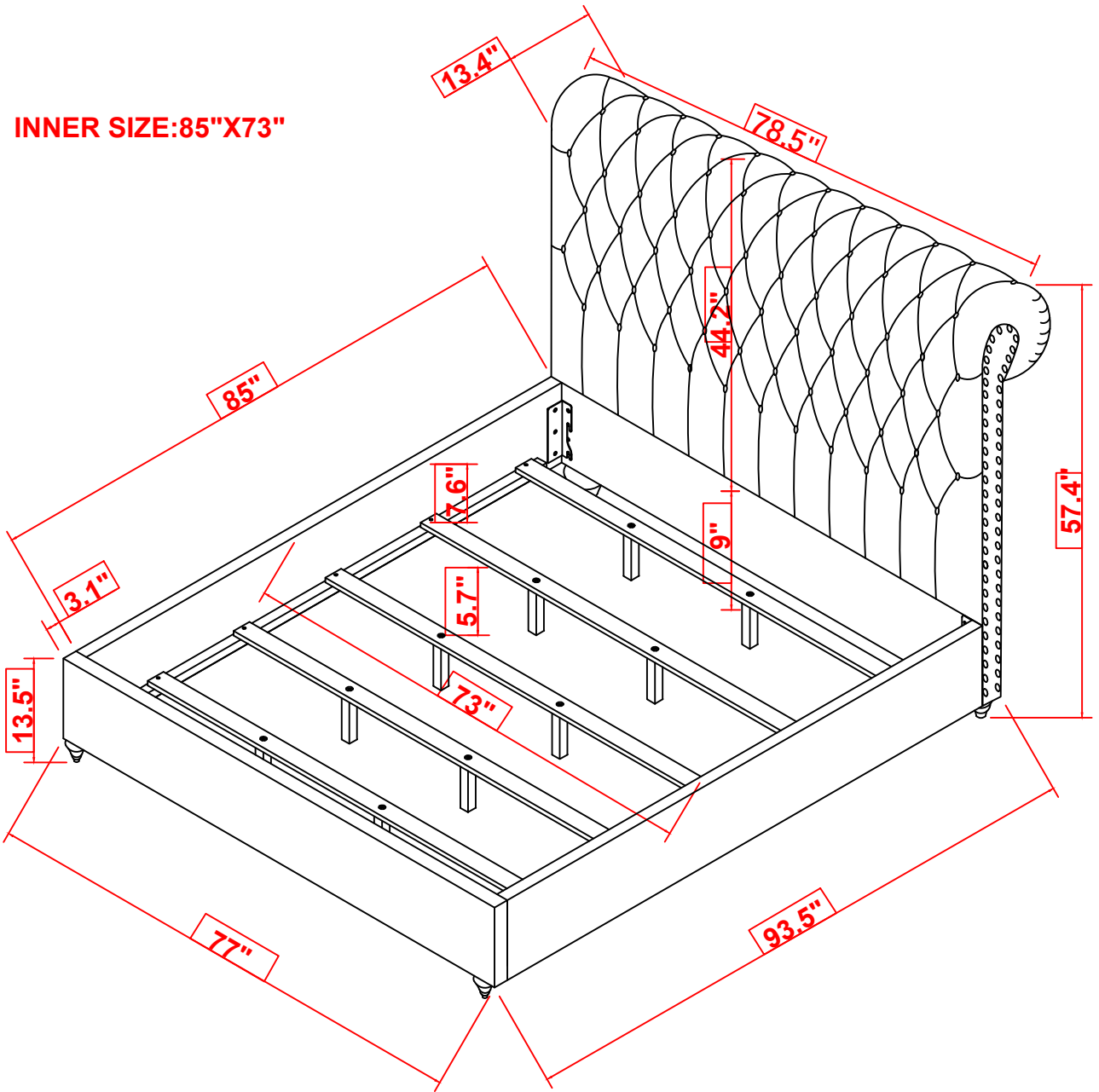
STEP 5



STEP 6 COMPLETE



INNER SIZE:85"X73"



NOTE:Dimension tolerance±5%