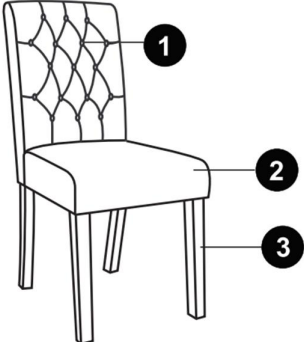
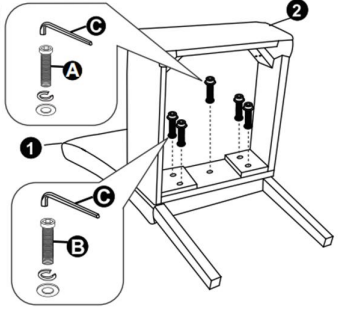
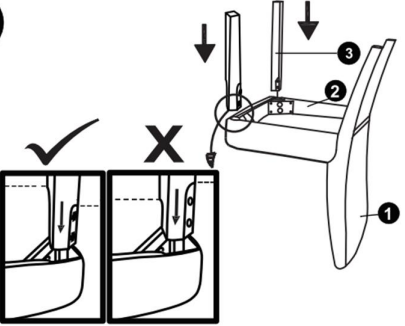
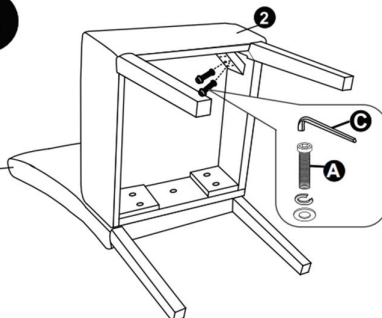
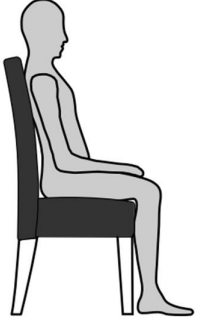
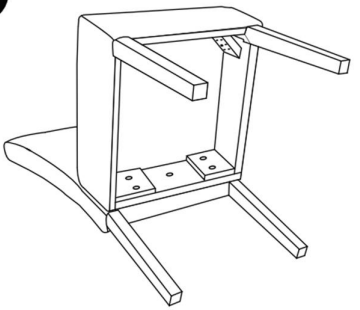
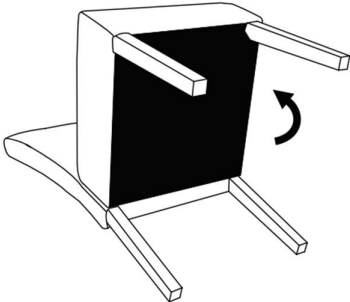






ASSEMBLY INSTRUCTION

	<p>1</p>  <p>Put the screws in the holes, tight the screws, but not too tight, 90% is ok.</p>	<p>2</p>  <p>Important please make sure the cam studs face out as shown</p>	<p>3</p>  <p>Put the screws in the holes, tight the screws, but not too tight, 90% is ok.</p>
<p>4</p>  <p>Then adjust the balance of the chair.</p>	<p>5</p>  <p>Tight all the screws to 100%</p>	<p>6</p>  <p>Stick the black part on the seat</p>	 <p>Remarks: After few days of initial assembly, the product may have acclimated to new environment, please tighten all screws again</p>

HARDWARE LIST	CODE	PARTS	QTY.
	1	BACK	1
	2	SEAT	1
	3	FRONT LEG	2

HARDWARE LIST	CODE	PARTS	QTY.
	A	Shorter Bolt 	5
	B	Longer Bolt 	4
	C	ALLEN KEY 	1