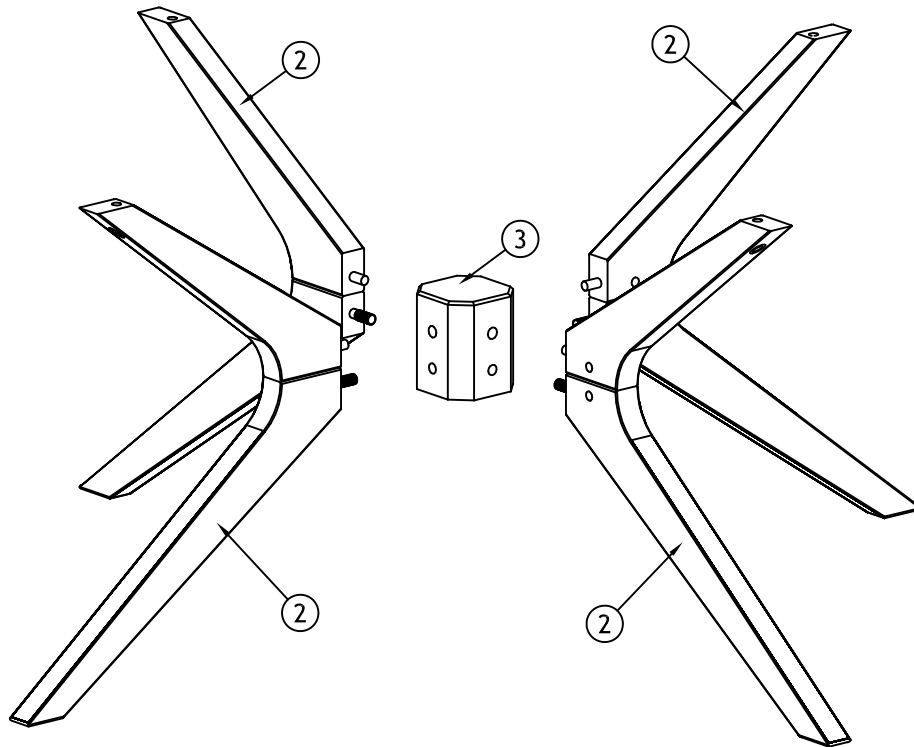
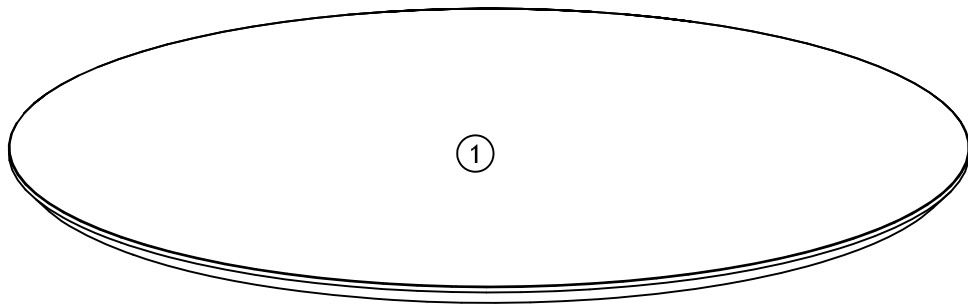
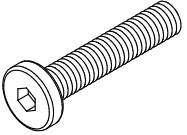
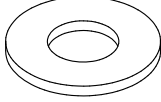
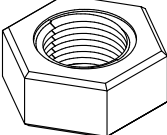
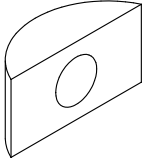
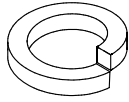
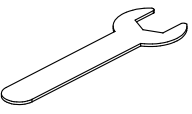
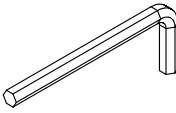
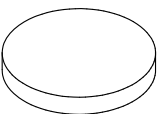
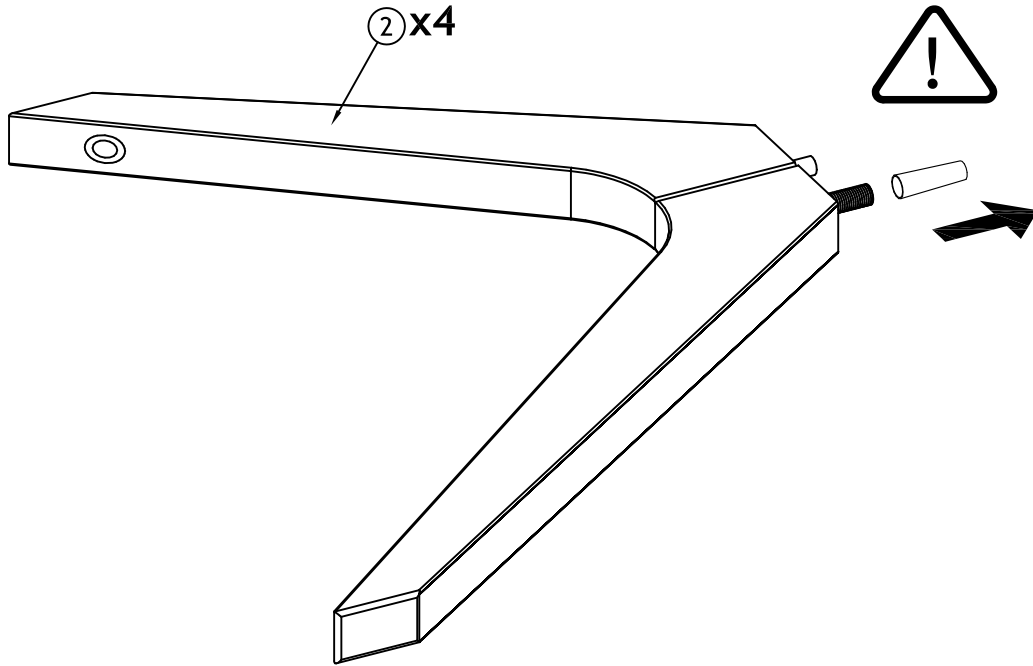


			✓
①	1	800x800x18	
②	4	432x340x24	
③	1	85x71x71	

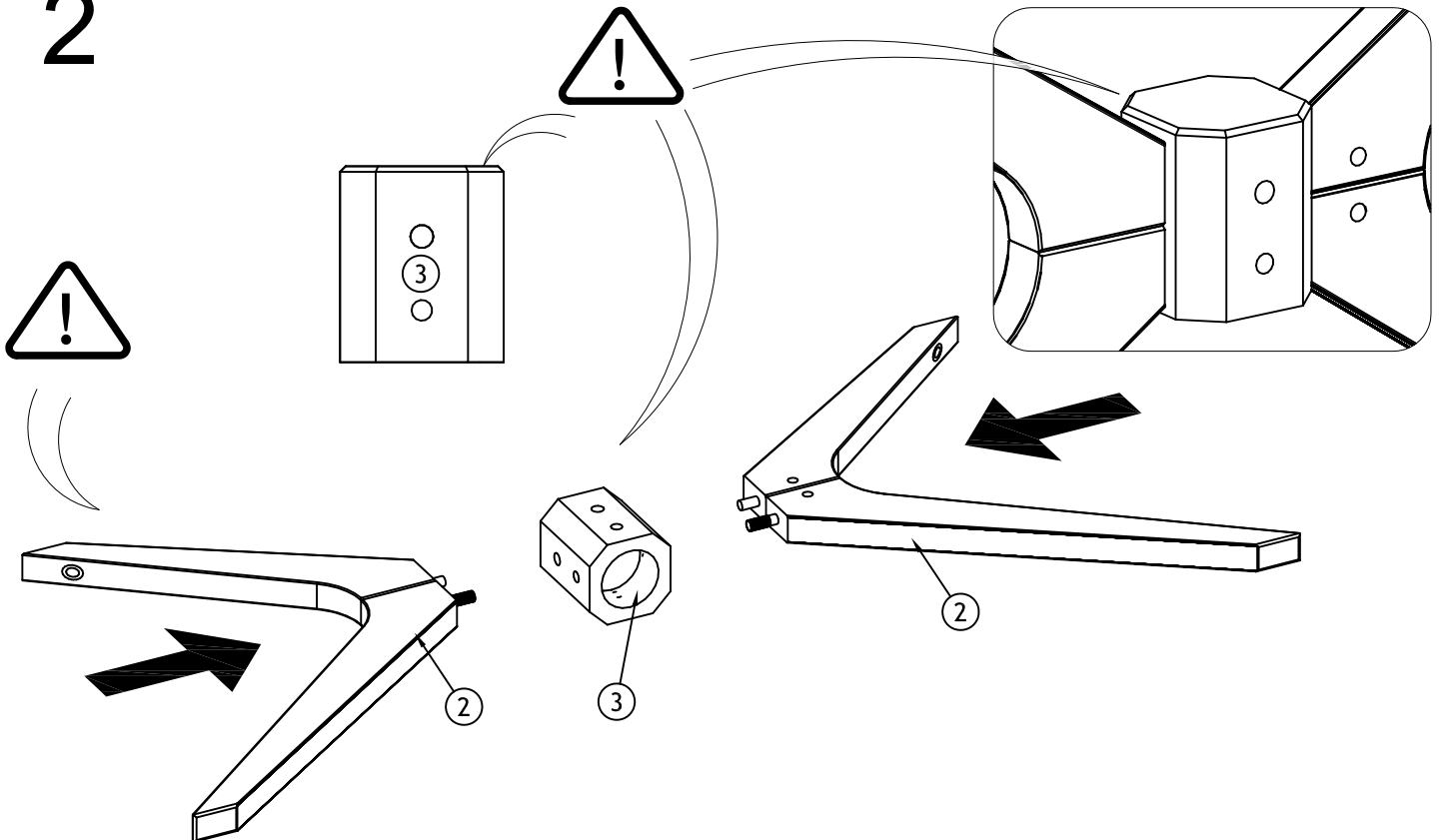


<p>A x 4</p>  <p>M6x30 mm</p>	<p>B x 4</p>  <p>Ø6/Ø12 mm</p>	<p>C x 4</p>  <p>M8/12 mm</p>	<p>D x 4</p>  <p>27x14x6,5 mm</p>	<p>E x 4</p>  <p>Ø8 mm</p>
<p>F x 1</p>  <p>12 mm</p>	<p>G x 1</p>  <p>4 mm</p>	<p>H x 4</p>  <p>Ø20x3 mm</p>		

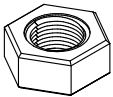
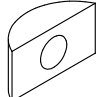
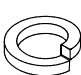

1

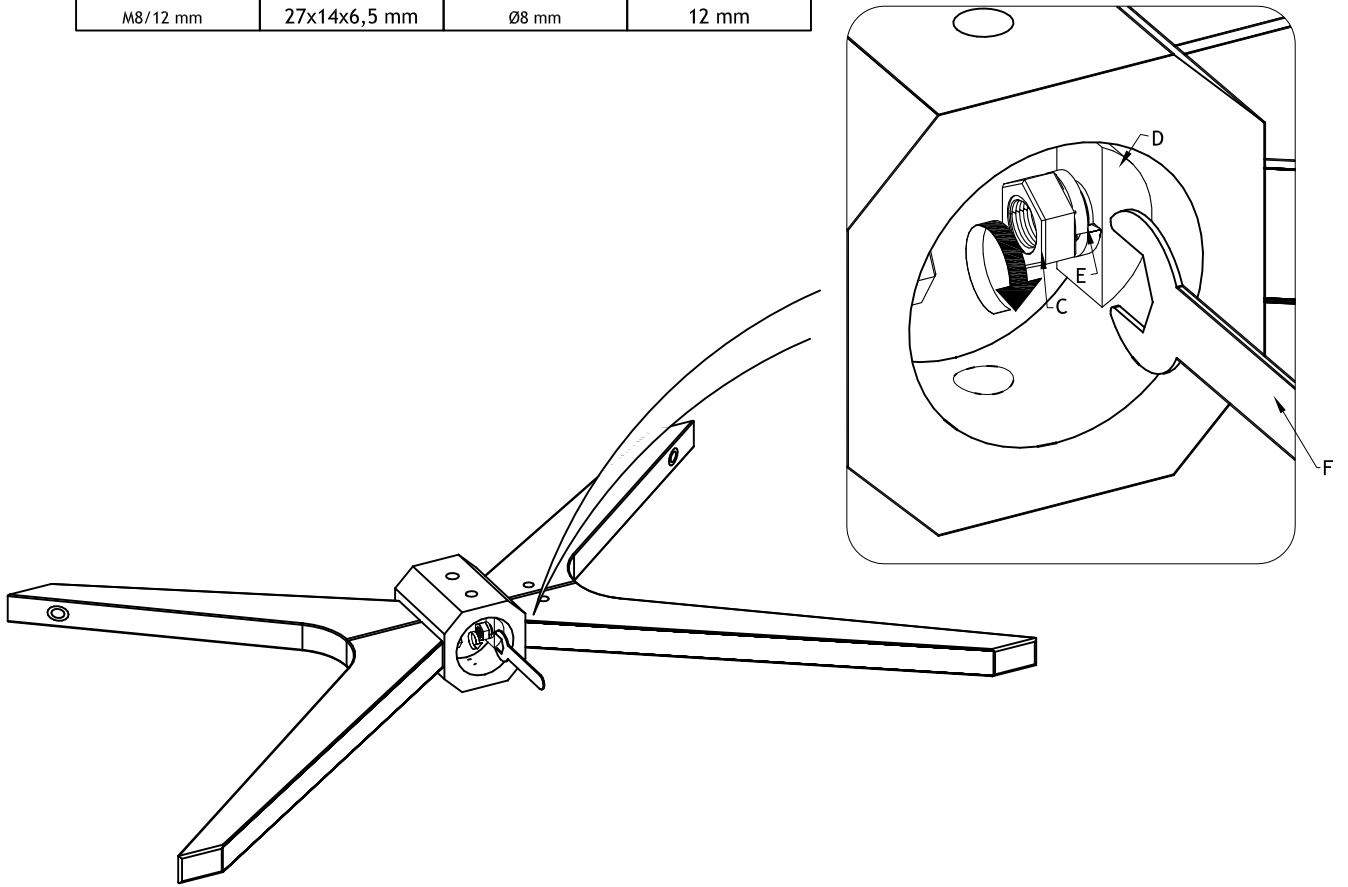


2

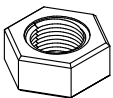
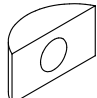
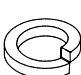



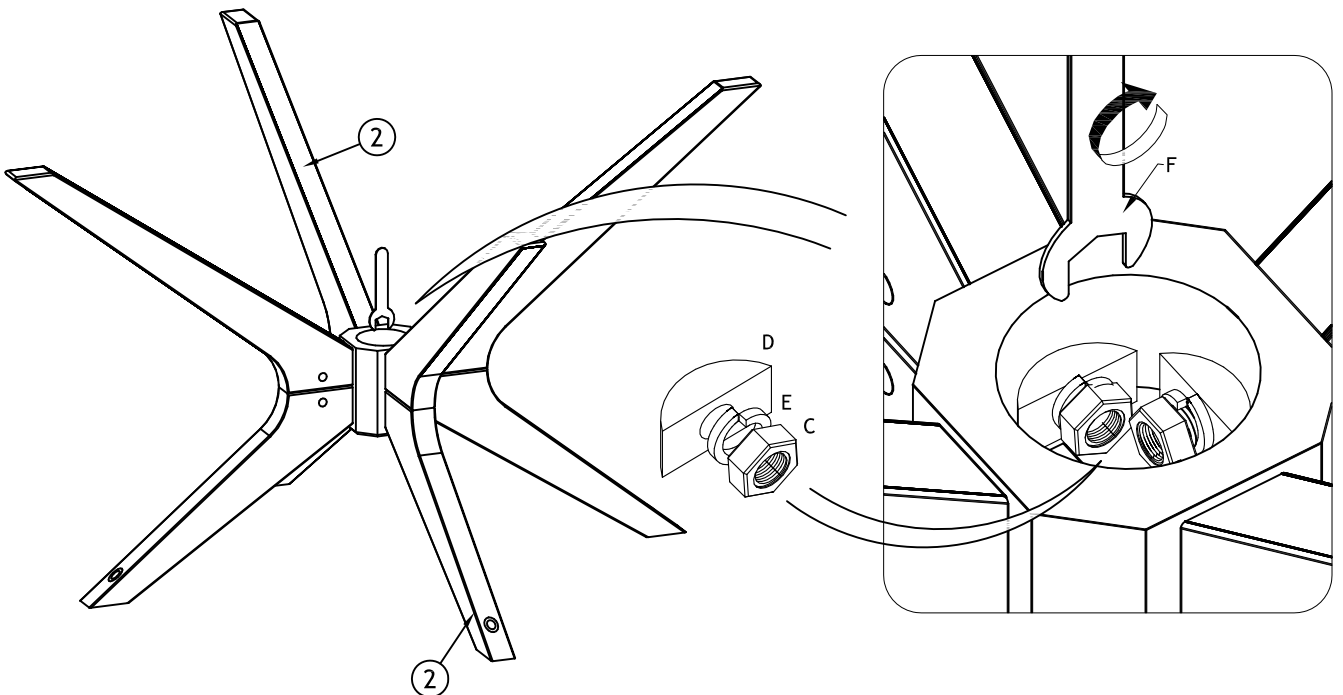
# 3

C x 2  M8/12 mm	D x 2  27x14x6,5 mm	E x 2  Ø8 mm	F x 1  12 mm
--	--	---	---

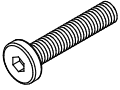
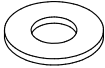



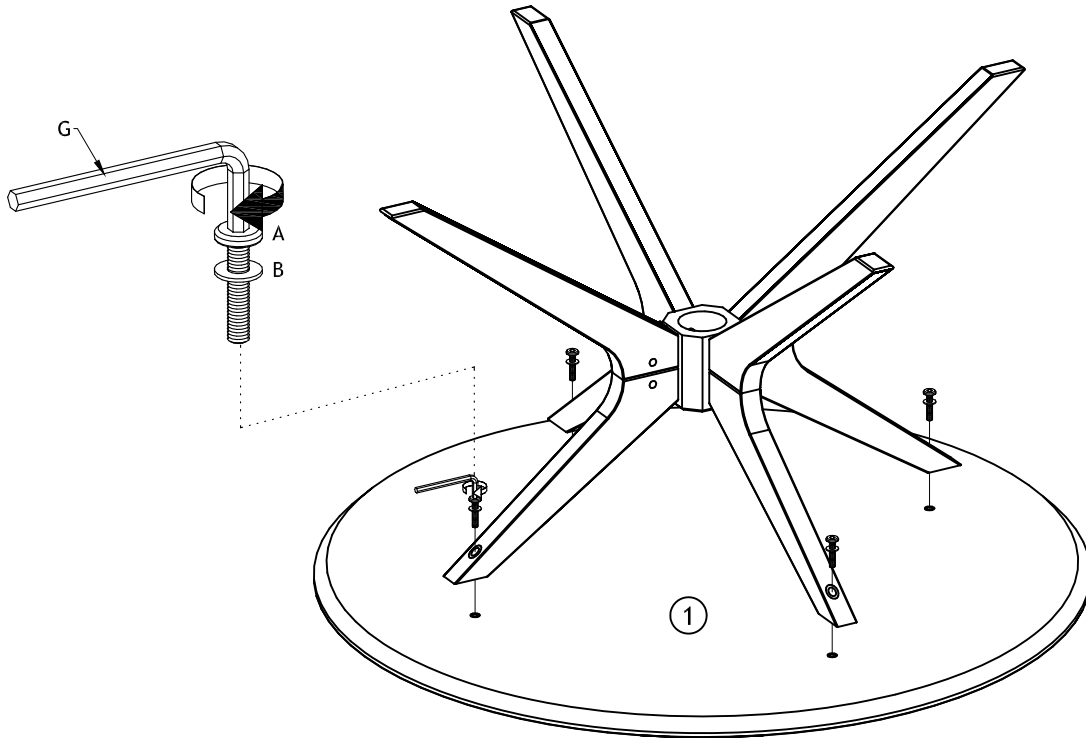
# 4

C x 2  M8/12 mm	D x 2  27x14x6,5 mm	E x 2  Ø8 mm	F x 1  12 mm
--	--	---	---




# 5

A x 4  M6x30 mm	B x 4  Ø6/Ø12 mm	G x 1  4 mm
--	---	--



# 6

H x 4  Ø20x3 mm
--

