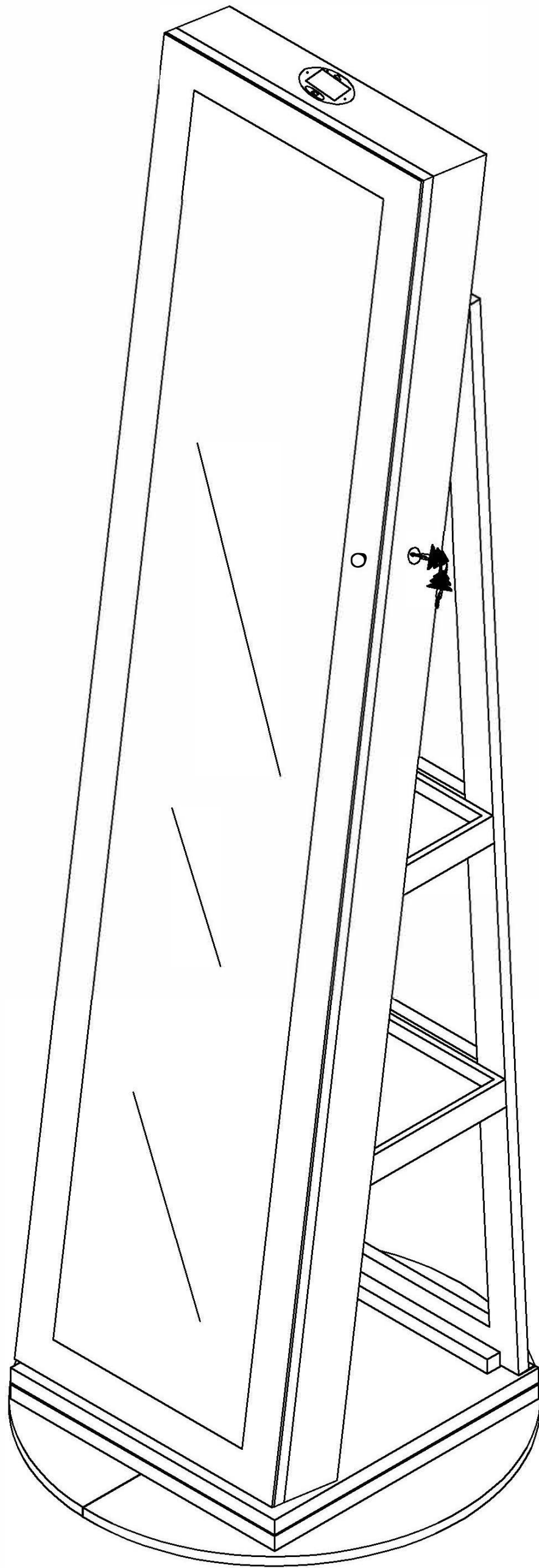
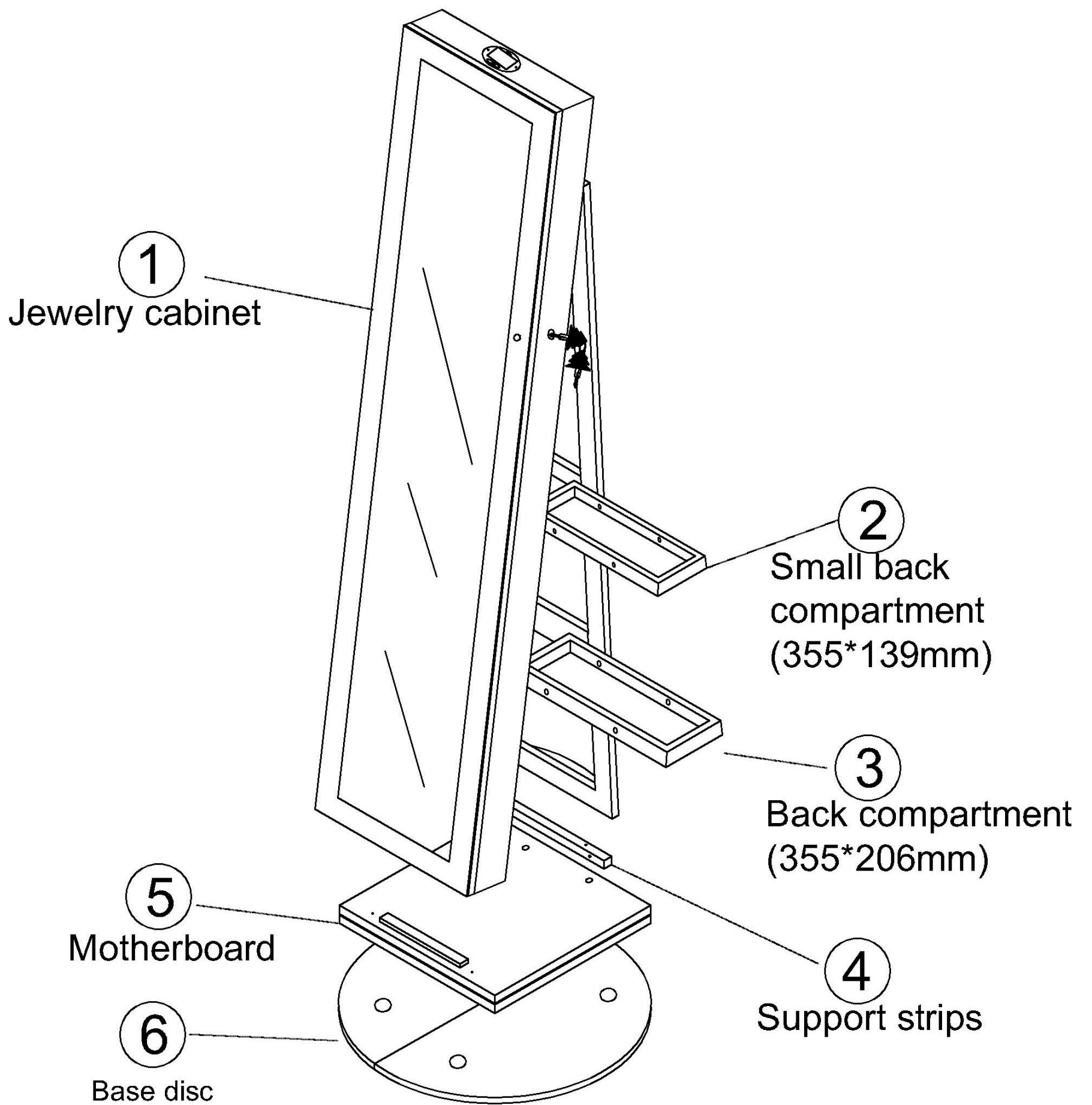


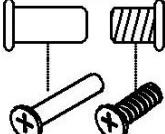
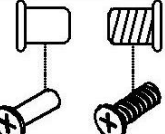







# MIRROR JEWELLERY CABINET

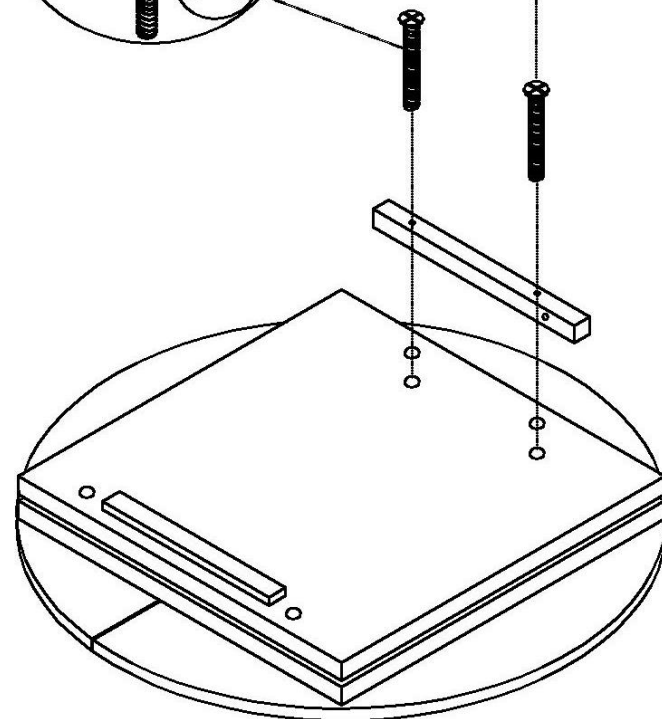
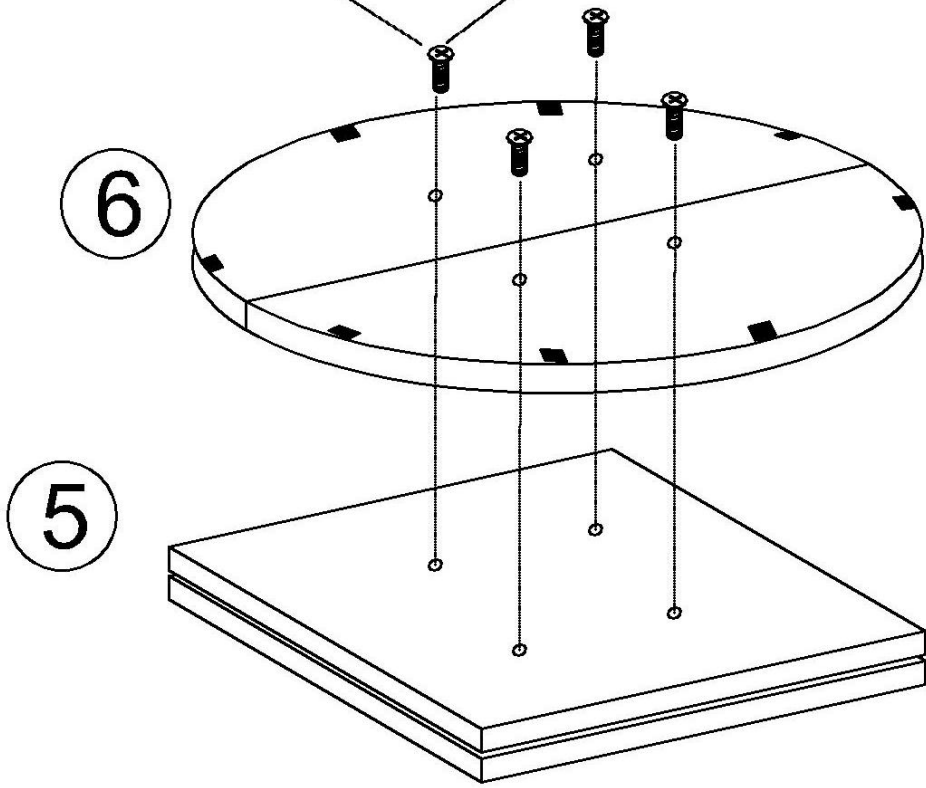
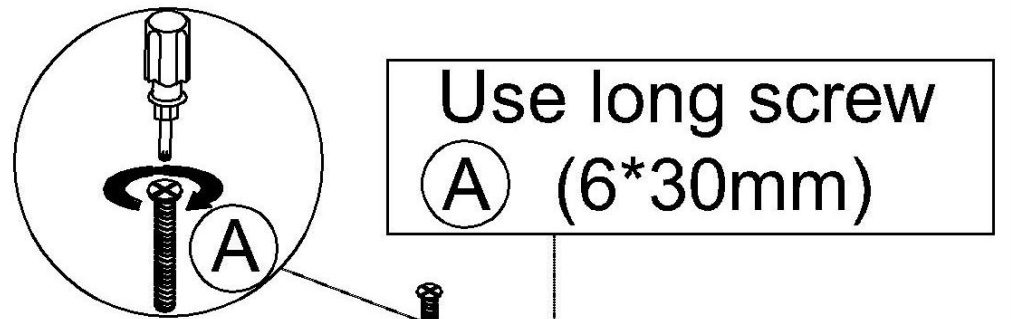
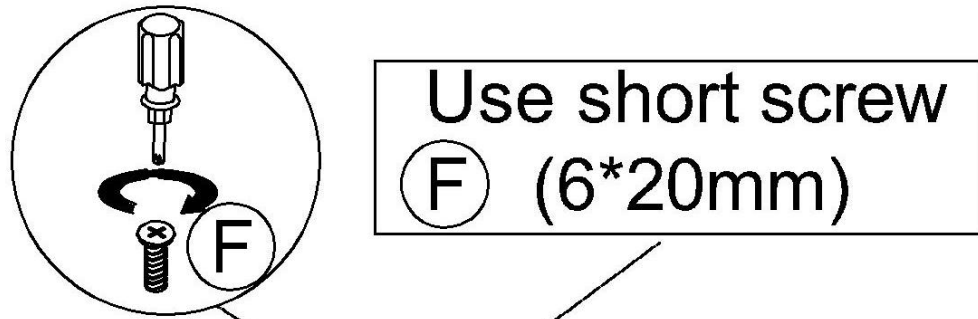






A		Long screw(6*30mm)	6 Pcs
B		The key	1 Pcs
C		Long cross screw assembly (5*20mm)	4 Pcs
D		Short cross screw assembly (5*8mm)	4 Pcs
E		Bolt driver	1 Pcs
F		Short screw(6*20mm)	4 Pcs
G		Cross machine wire (4x16mm)	1 Pcs

Step 1

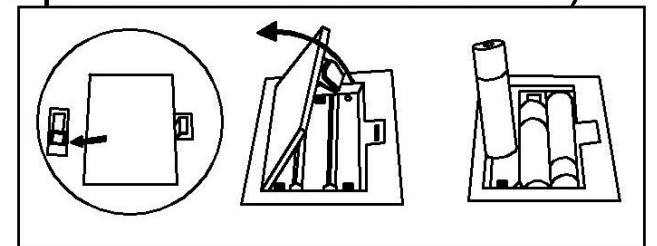
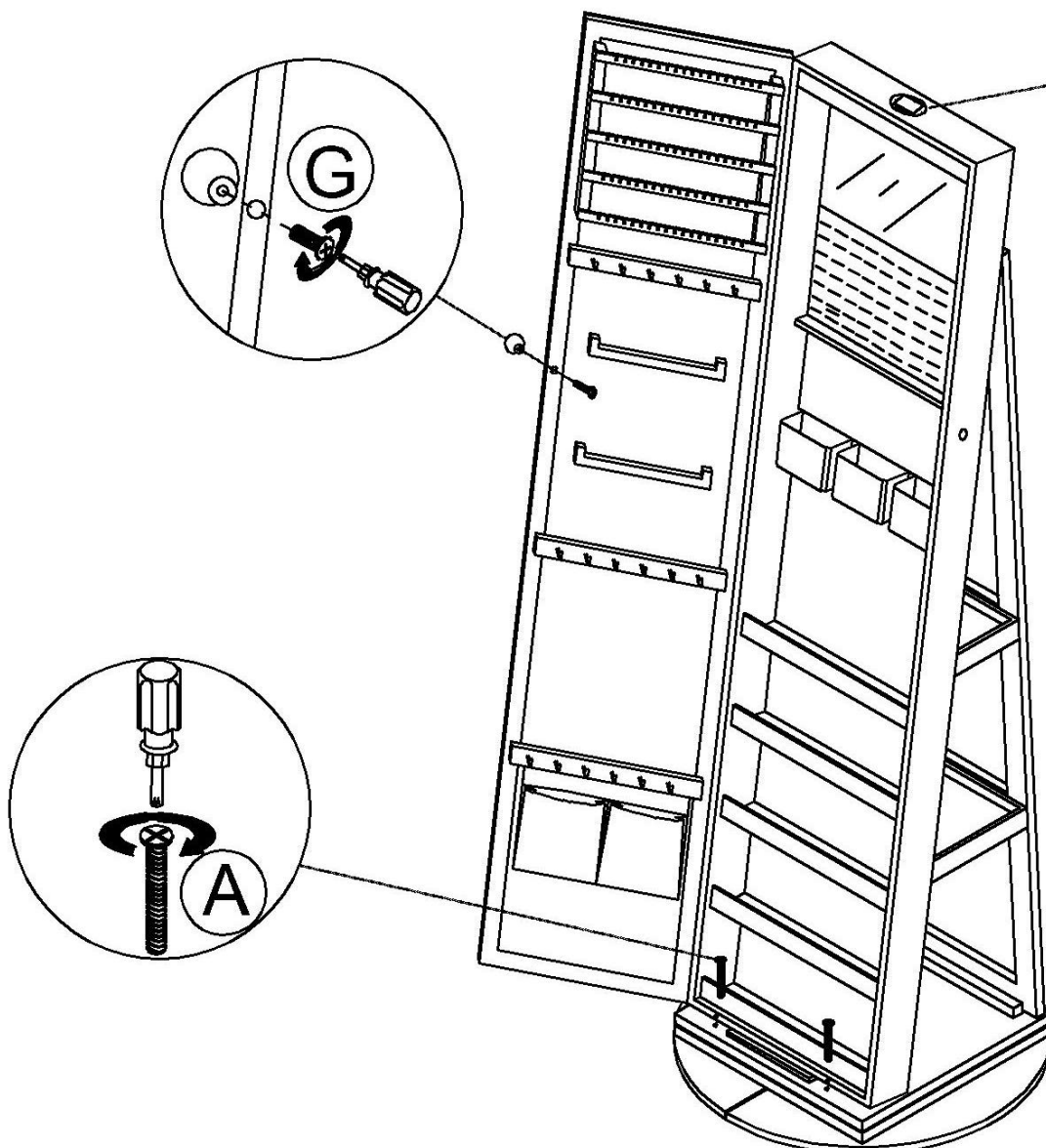
F	 (6*20mm)	x 4
A	 (6*30mm)	x 2



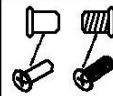
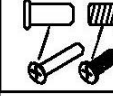

Step 2

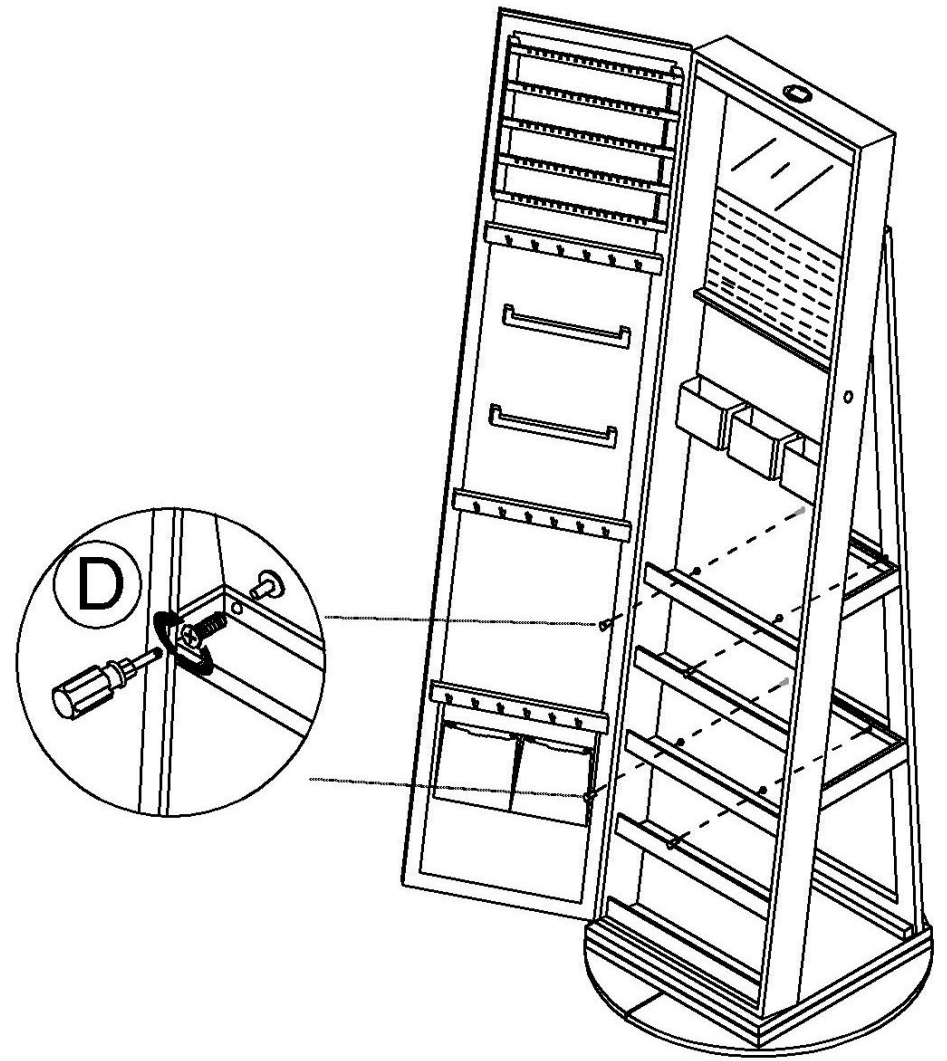
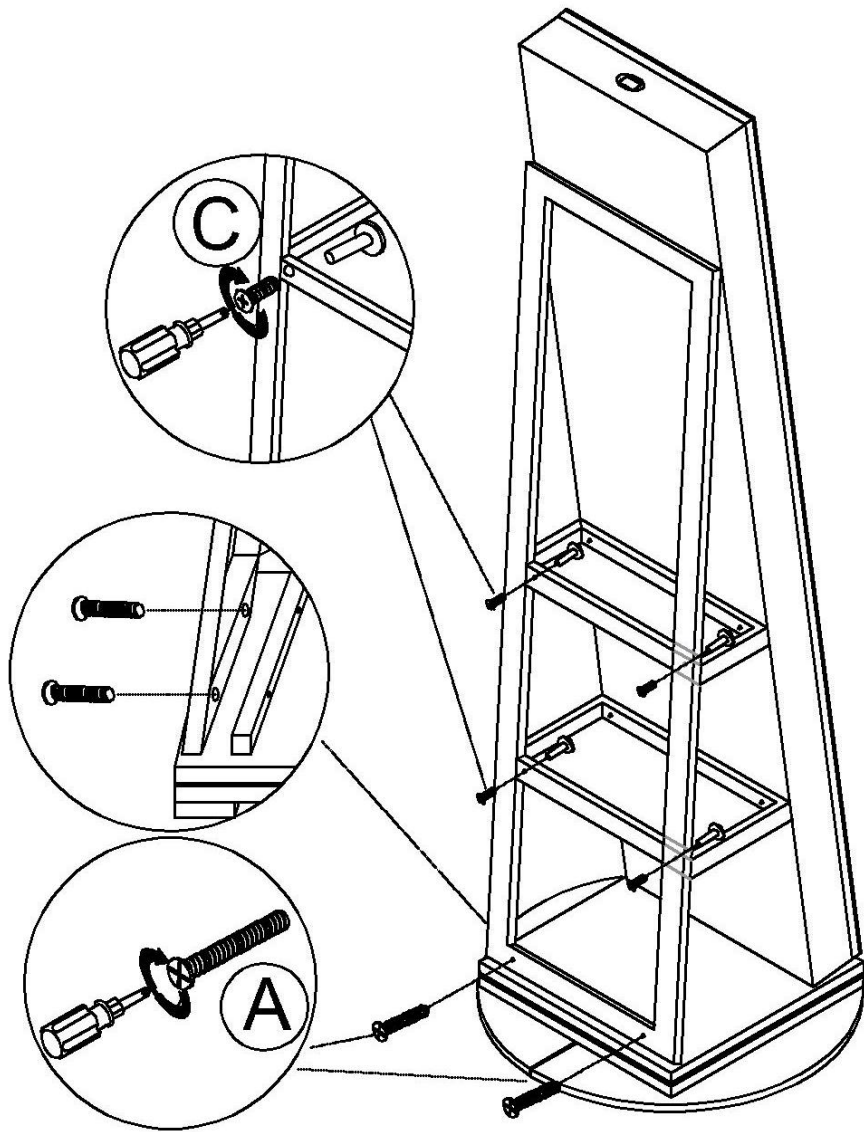
A	 (6*30mm)	x 2
G	 (4*16mm)	x 1

Battery installation  
(Tip: use 3 AAA Batteries)



Step 3

<b>D</b>	 (5*8mm)	<b>x 4</b>
<b>C</b>	 (5*20mm)	<b>x 4</b>
<b>A</b>	 (6*30mm)	<b>x 2</b>



Step 4

<b>B</b>		<b>x 1</b>
----------	---	------------

