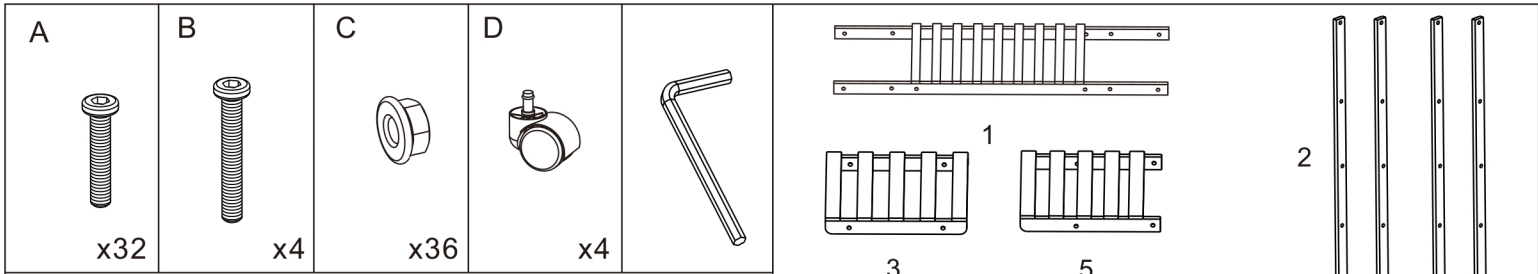
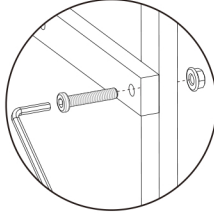


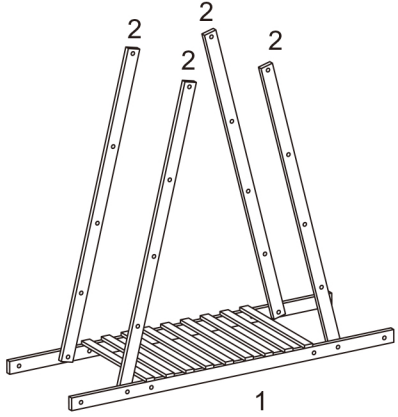
Installation



1. Do not tighten the screws before installation, tighten the screws after all installation is complete
2. Do not screw too tight, or the wood may burst.
3. Use the hexagon wrench, adjust the screw with the short part and turn the long part by hand.




1



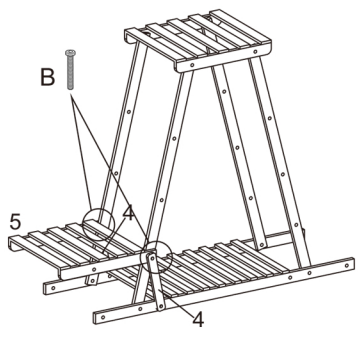
1. Place No. 1 bottom shelf on the floor and install two No. 2 stakes in the second and third holes of the bottom shelf. (Use screw A)

2



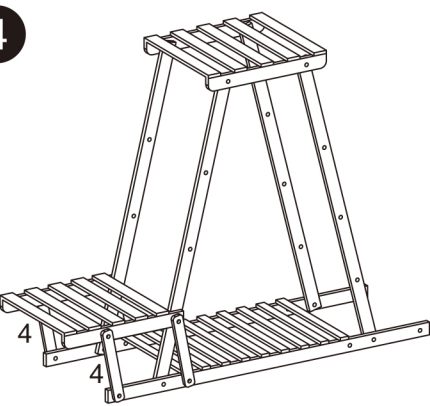
2. Install shelf No. 3 in the top hole of No. 2 stakes (use screw A)

3



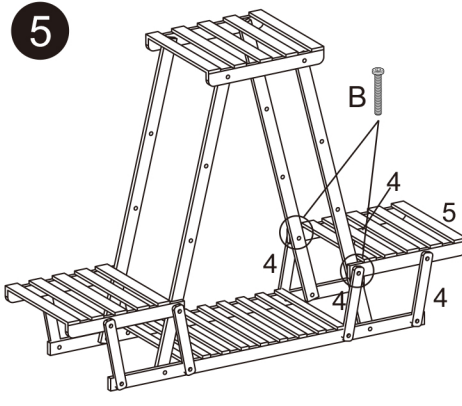
3. Install the No. 5 shelf on the second hole of the No. 2, and at the same time fix the diagonal bar No. 4 on the outside of the No. 5 shelf (with long screw B), and the other end on the third hole of the bottom shelf No. 1 (With screw A)

4



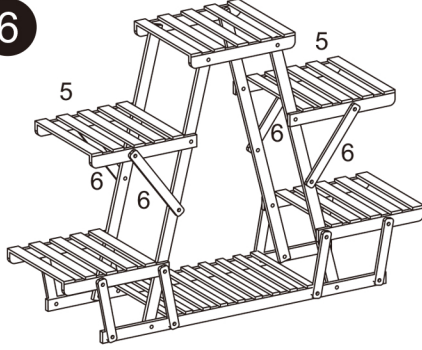
4. Install another diagonal bar No. 4 (use screw A)

5



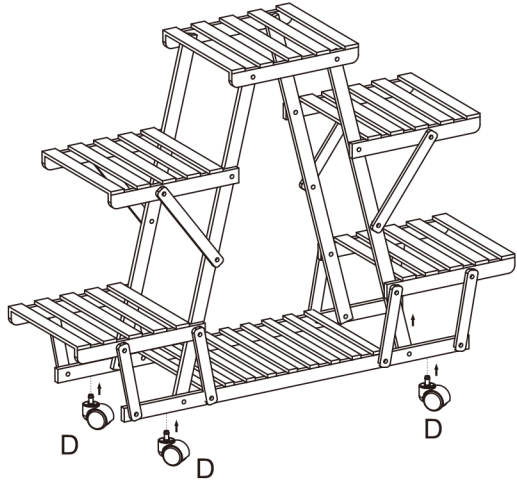
5. Install the other side in the same way

6




6. Install No. 6 shelf on the outside of the fourth hole of No. 2 stakes. Install the diagonal bar No. 6 and fix it to the outside of the No. 6 shelf and No. 2 stake. (Use screw A)

7



7. Mounting the 4 x casters D to the holes at the bottom of the base shelf.

8



8. Finish