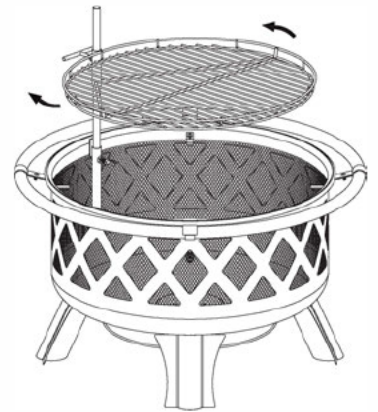
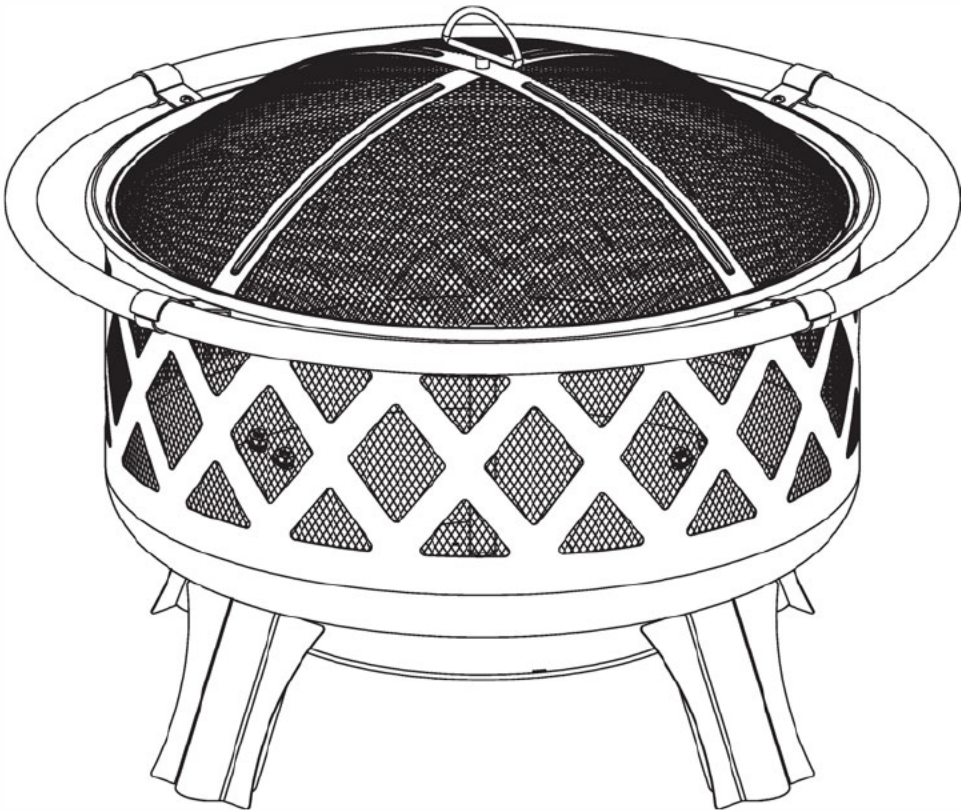


# Outdoor Fire Pit



**User Manual**

# Table of Contents

Table of Contents .....	2	Assembly .....	6-9
Safety Information .....	2-3	Operation .....	10
Pre-Assembly .....	4	Care & Maintenance .....	11
Tools Required .....	4		
Hardware Included .....	4		
Package Contents .....	5		

# Safety Information

## PRECAUTION

Use caution and common sense when using your outdoor fire pit. Failure to adhere to the safety warning and guidelines in the manual could result in bodily injury or property damage. Save this manual for future reference.



**WARNING:** This outdoor fire pit is for outdoor use only.



**WARNING:** Do not leave unattended at anytime during use.



**WARNING:** Use only on brick, concrete, stone or other masonry surfaces.



**WARNING:** Do not move the fire pit during use.



**WARNING:** Do not use on lawns, wooden decks, artificial wood or asphalt.



**WARNING:** Do not use in windy conditions.



**WARNING:** Keep the outdoor fire pit a minimum of 10 ft. away from buildings, structures, any ammable items and vehicles.



**WARNING:** Do not use without the wood grate placed on the bottom of the firebowl. Do not use more than 5 lbs. of firewood on the wood grate.



**WARNING:** Never use under low hanging tree branches, trellises or overhangs of any kind including covered porches.



**WARNING:** Use caution when tending the fire, as surfaces will become very hot while in use.



**WARNING:** Never use gasoline, alcohol or volatile uids to start or restart fires.



**WARNING:** Keep the spark guard in place while using as a fire pit.



**WARNING:** For longer product life, keep fires to a respectable size, do not overload.



**WARNING:** Use mittens or gloves with the poker to remove the spark guard. The spark guard will become very hot.



**WARNING:** The outdoor fire pit is for adult use only.



**WARNING:** Use caution when removing the spark guard, as hot steam or a are up could cause burns.



**WARNING:** Before each use make sure the outdoor fire pit is in good working condition.



**WARNING:** During use, keep the pivoting grate over the fire as much as possible. Do not leave the cooking grate pivoted off the fire any longer than needed.

## Safety Information (continued)



**WARNING:** Use caution after the fire has been extinguished. Surfaces will remain hot for some time.



**WARNING:** The outdoor fire pit must be completely cooled off and all embers must be extinguished before any cover can be used.



**WARNING:** The cooking grate will become hot during use. Use mittens, gloves or poker to move or pivot the cooking grate.



**WARNING:** Do not pivot the cooking grate in a fast manner or the food will roll off the grate.



**WARNING:** Make necessary height adjustments before adding food to the grate.



**WARNING:** Do not add more than 4 lbs. of food on the pivoting grate.



**WARNING:** For best results, coat the grate surfaces with vegetable oil before using.



**WARNING:** Do not unnecessarily push down on the cooking grate when it is on the pivoting rod. The grate or firebowl or both will be damaged.



**WARNING:** Do not use the pivoting grate or rod to pull the fire pit.



**WARNING:** Never burn wood on the cooking grate.



**WARNING:** Do not store with the pivoting cooking grate left on the pivoting rod. Store pivoting rod and cooking grate inside the fire pit.



**WARNING: CARBON MONOXIDE HAZARD!**  
Burning wood or charcoal produces carbon monoxide, which has no odor and can cause death if burned in enclosed areas. Never burn wood or charcoal inside homes, vehicles, tents or any other enclosed areas.




**CALIFORNIA PROPOSITION 65 WARNING:**  
Fuels used in wood or charcoal burning appliances, and the products of combustion of such fuels, can expose you to chemicals including carbon black, which is known to the State of California to cause cancer, and carbon monoxide, which is known to the State of California to cause birth defects or other reproductive harm.

# Pre-Assembly

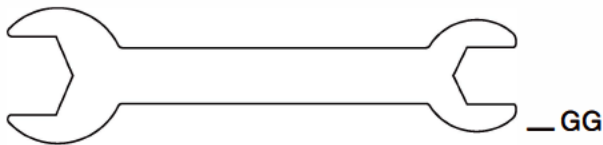
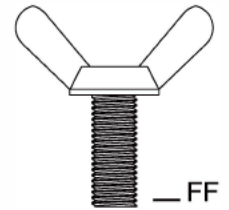
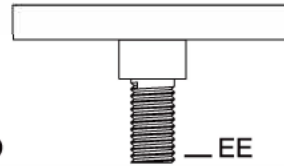
Carefully remove all pieces from the carton and make sure that you have all parts listed (refer to parts list). If you are missing parts, please contact 1-855-HD-HAMPTON for further assistance.

## TOOLS REQUIRED

 Phillips screwdriver  
(included)



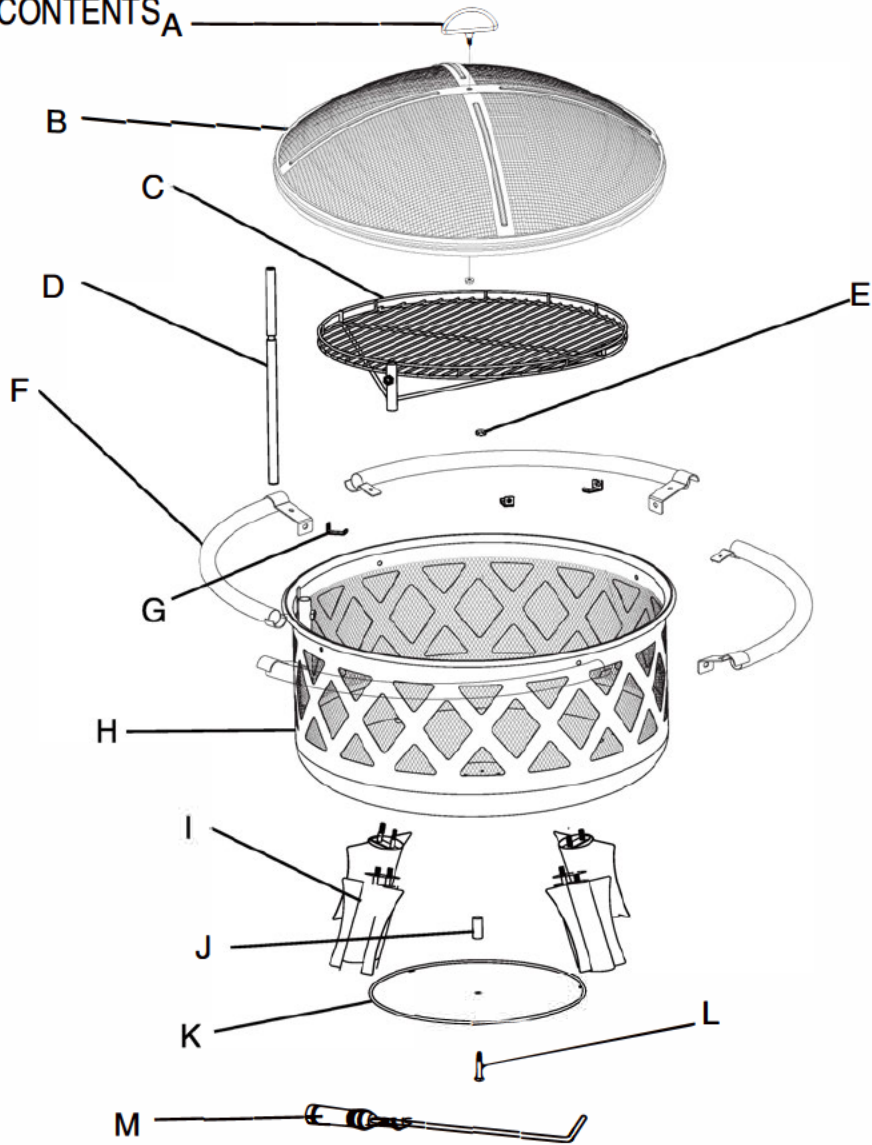
## HARDWARE INCLUDED



Part	Description	Quantity	Give away
AA	M6x12 Bolt	8	2
BB	M6 Nut	5	2
CC	M8 Nut	9	2
DD	M8 Washer	8	2
EE	M8x15mm T Bolt	1	
FF	Wing Bolt	1	
GG	Wrench	1	

# Pre-Assembly (continued)

PACKAGE CONTENTS<sub>A</sub>



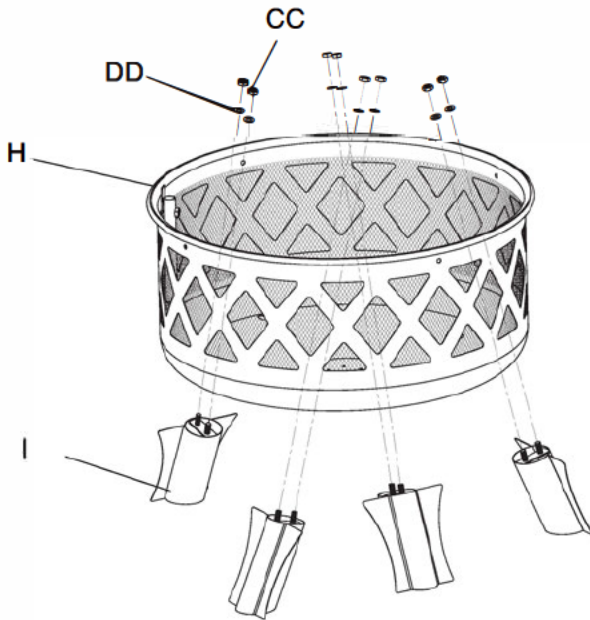
Part	Description	Quantity
A	Mesh Cover Bracket	1
B	Mesh Cover	1
C	Cooking Grate	1
D	Cooking Grate Support	1
E	M8 Nut	1
F	Outer Ring	4
G	Mesh Cover Rest	4
H	Fire Bowl	1
I	Legs	4
J	Sleeve	1

Part	Description	Quantity
K	Heat Shield	1
L	M8x45mm Bolt	1
M	Poker	1

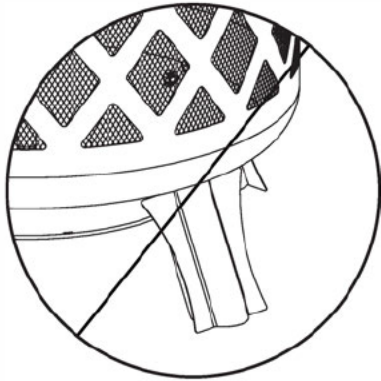
# Assembly

## 1 Assembling the legs

Assemble the four legs (I) to the fire bowl (H) using eight M8 nuts (CC). Tighten securely.



Incorrect placement of the leg.

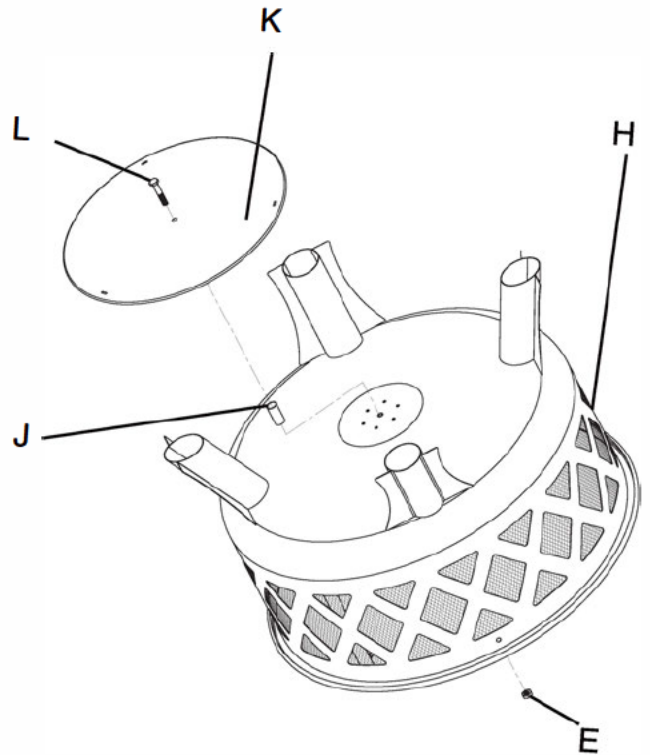


Correct placement of the leg.



## 2 Assembling the Heat Shield

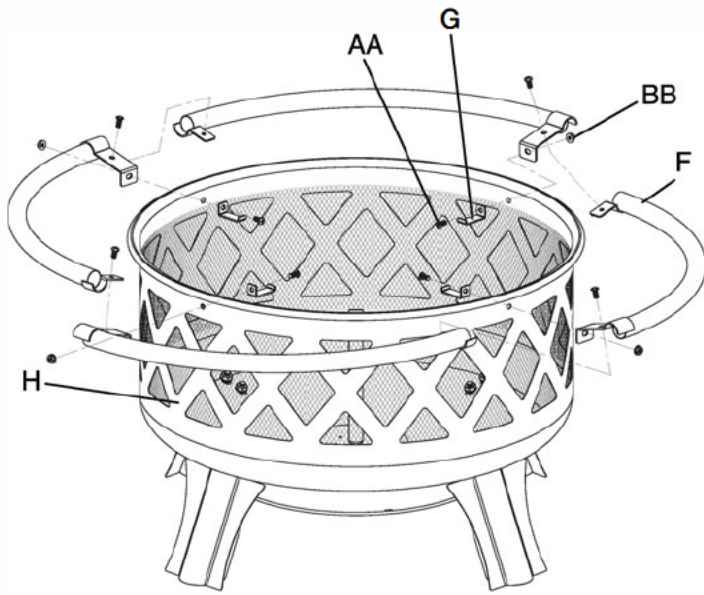
Attach the heat shield (K) to the bottom of the fire bowl (H) by inserting the M8x45mm bolt (L) into the heat shield (K) and through the sleeve (J) and bottom of the fire bowl (H) as illustrated in figure 2. Tighten securely using the M8 nut (E).



# Assembly

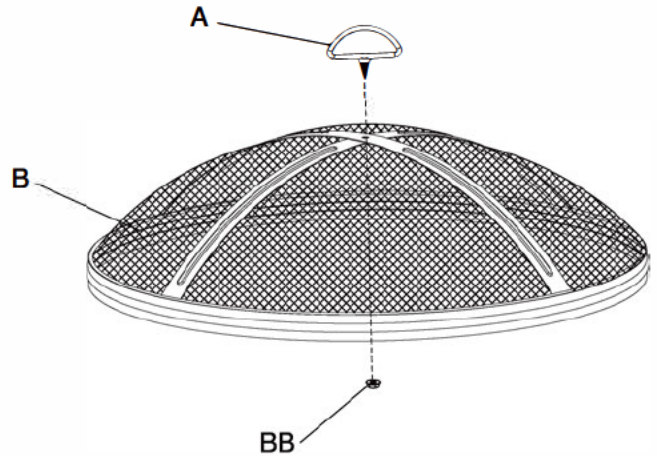
## 3 Assembling the Ring Sections

Assemble each of the four outer ring sections (F) to the fire bowl (H) using two bolts (AA) and one M6 nut (BB). For each ring section, assemble one mesh cover rest (G) as shown between the bolt and the fire bowl. Space the mesh cover rests (G) evenly. Tighten bolts securely.



## 4 Assembling the Mesh Cover

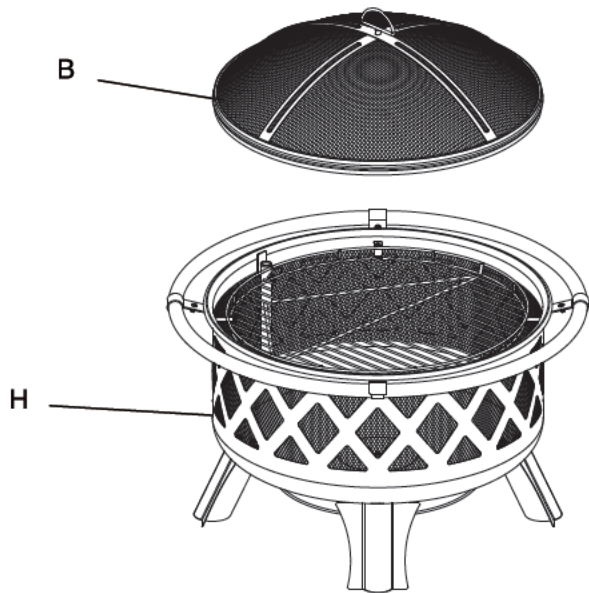
Assemble the mesh cover bracket (A) to the mesh cover (B) using one M6 nut (BB).



# Assembly

## 5 Assembling the fire pit

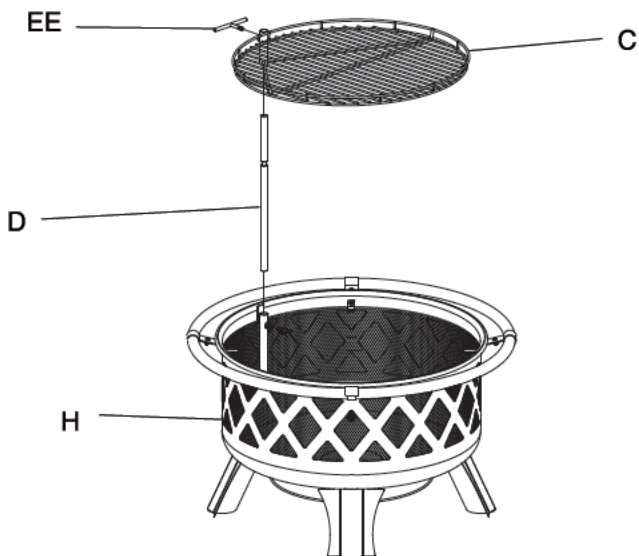
Place the mesh cover (B) on top of the fire bowl (H) as shown. Always use the mesh cover (B) during use.



# Cooking Grate 1 Assembly

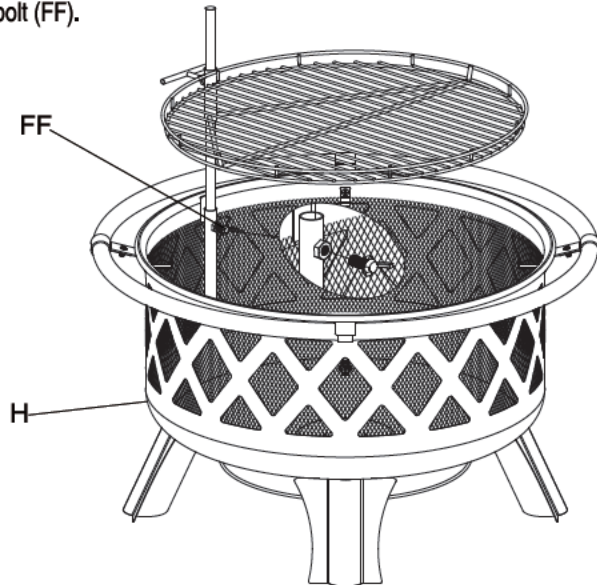
## 1 Assembling the cooking grate

Attach the cooking grate support (D) to the fire bowl (H) by sliding it into the holder. Then slide the cooking grate (C) onto the cooking grid support (D) and secure with the M8x15mm T Bolt (EE).



## 2 Adjusting the cooking grate

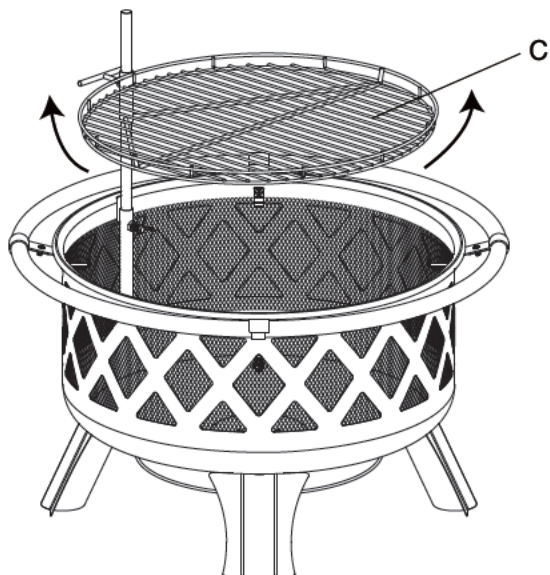
Slide the cooking grate (C) up or down the cooking grate support (D) to adjust the cooking grate (C) to the desired height. Then tighten with the wing bolt (FF).



## 3 Rotating the cooking grate

- Rotate the cooking grate (C) to the left or right to achieve your desired location.

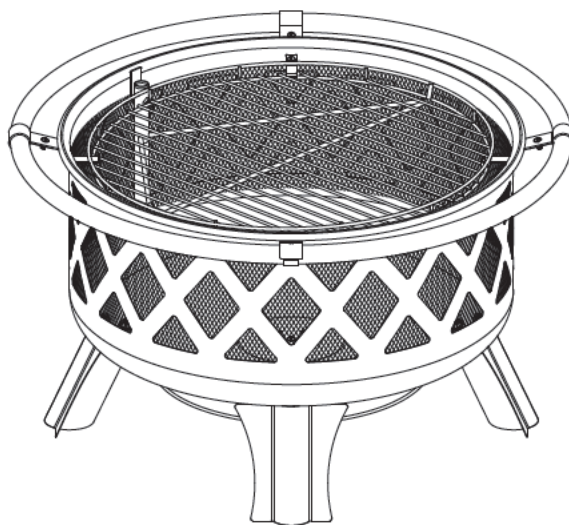
Wipe the cooking grate (C) with vegetable oil. Add food to the cooking grate (C). The weight capacity of the cooking grate (C) is 4 lbs.



## 4 Attaching the cooking grate directly to the firebowl

Place the cooking grate (C) on to the fire pit as shown.

Wipe the cooking grate (C) with vegetable oil. Add food to the cooking grate (C). The weight capacity of the cooking grate (C) is 4 lbs.



# Operation

## 1 Placing the sand

Place the fire pit on dirt, stone, gravel or sand. Do not place on combustible surfaces.

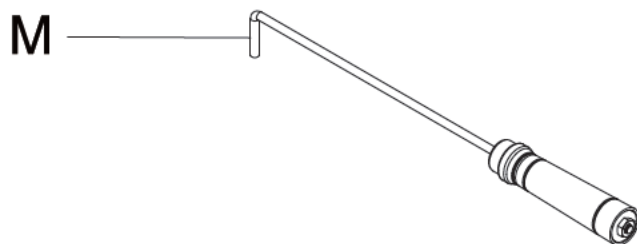
Before using, add a 1-1.5 in. layer of sand or about 5 lbs. to the bottom of the fire bowl. This will help against the corrosive nature of the ashes and help radiate the heat upwards.

## 2 Adding fuel

Add up to 5 lbs. of kindling and firewood to the fire pit. Use paper or firestarter under the kindling and light with a match. The capacity of the fire pit is 5 lbs. of fuel.

## 3 Using the poker

Place the poker (M) next to the fire pit to use as needed.



## Care and Maintenance

---

Clean out ashes after each use only after the fire pit is completely cooled.

Do not attempt to clean while hot.

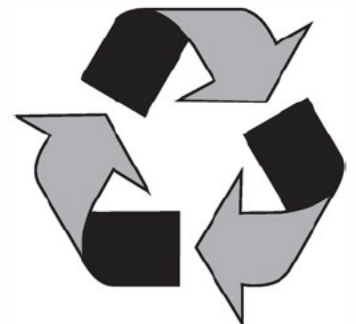
Store the fire pit in a dry place out of the weather.

Clean the cooking grate with soap and water. Dry with a clean rag.

## THANK YOU

We appreciate the trust and confidence you have placed in through the purchase of this outdoor fire pit. We strive to ally create quality products designed to enhance your home.

Dispose of the packaging separated into single type materials. Dispose of cardboard and carton as waste paper and foils via the recyclable material collection serv. if you get an exception when using this prod-uct, please refer to the list below



Disposing of the packaging