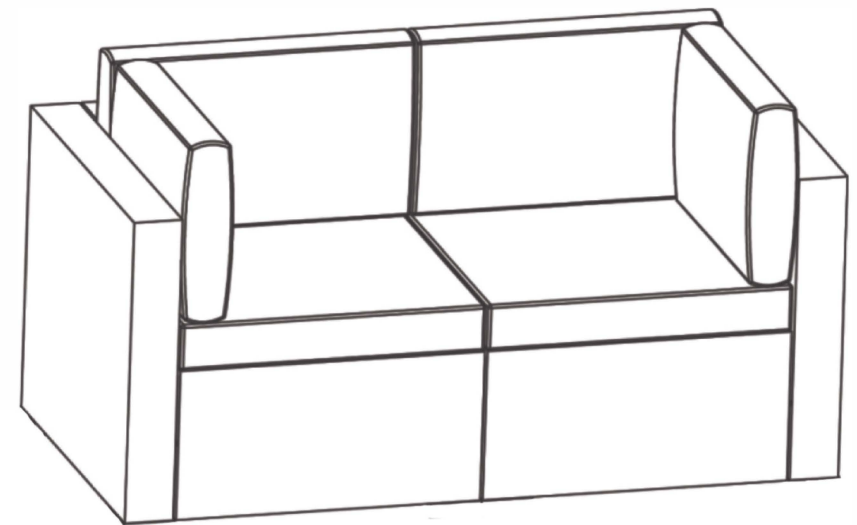


Outdoor Rattan Sofa

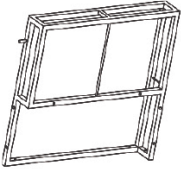
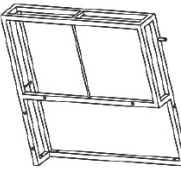
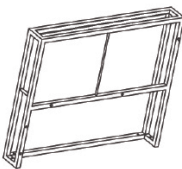
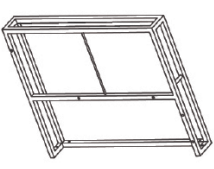
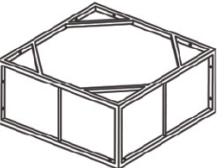

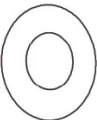

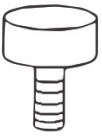


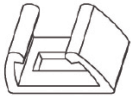
Thank you very much for your purchase.

We strive to provide the best service and reliable products for every one of our customers.

Many thanks and we look forward to you shopping with us again!

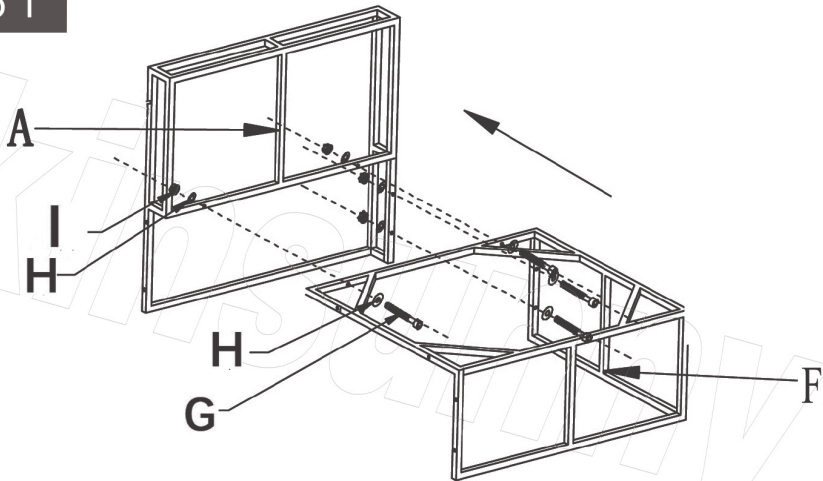


PARTS LIST

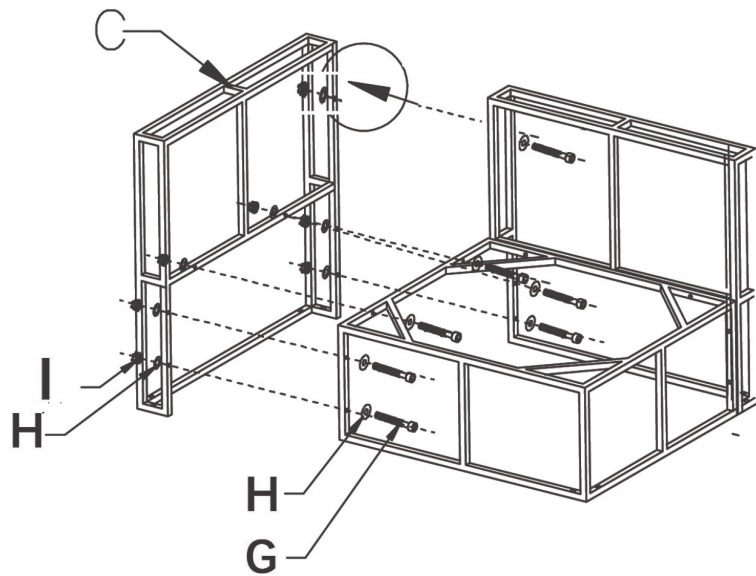
 x1	 x1	 x1	 x1
A Right Sofa Back	B Left Sofa Back	C Right Sofa Arm	D Left Sofa Arm
 x2	 x20	 x40	 x20
F Right And Left Sofa Seat	G Screw M6*50mm	H Shim Ø16*6.4*1	I Nut M6
 x16	 x1	 x1	 x4
Z Adjustable Foot Pad	Hexagonal Allen Wrench	Open Spanner	Plastic Clip

Right sofa

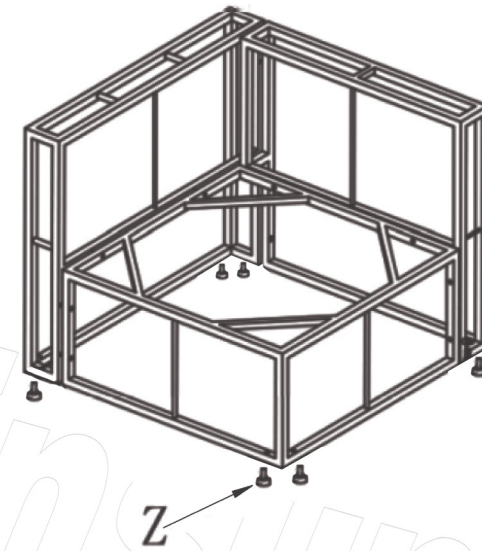
Step 1



Step 2

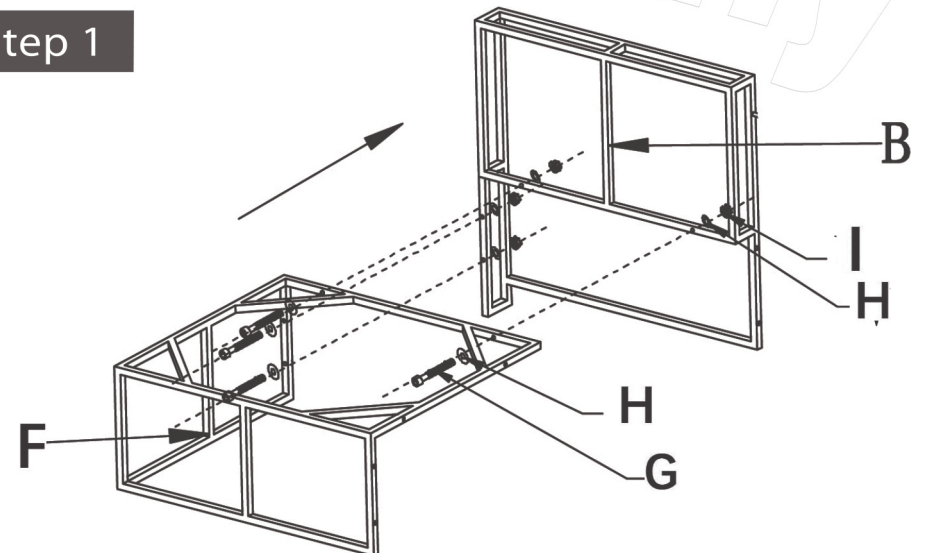


Step 3

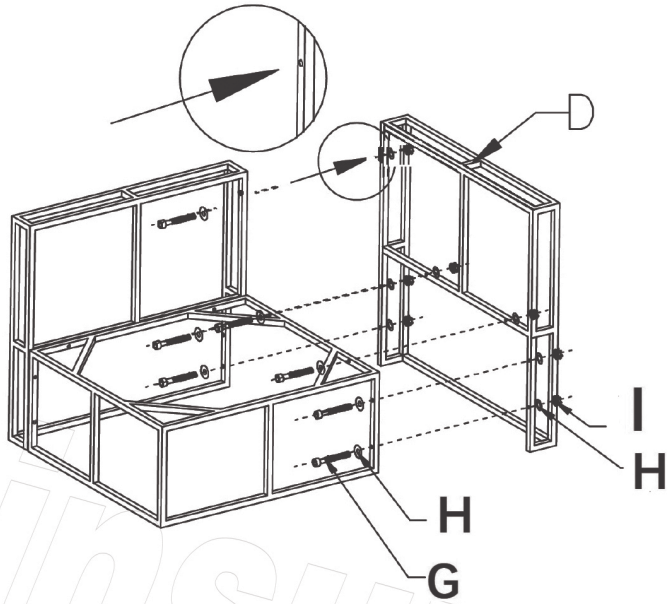


Left sofa

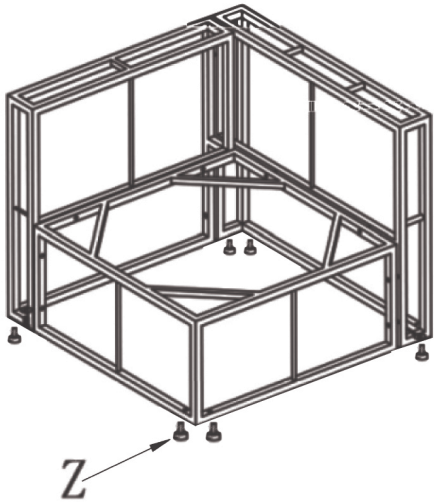
Step 1



Step 2

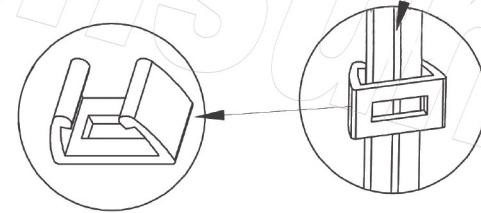
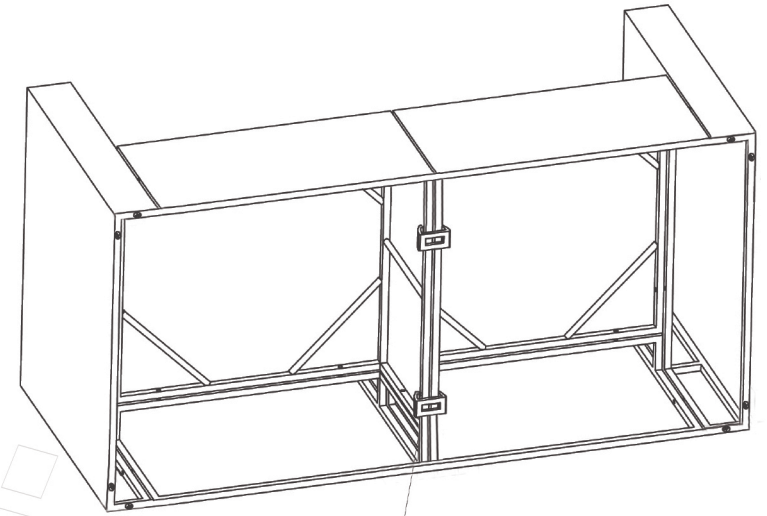


Step 3



We suggest you assemble the parts according to the diagram. Tighten everything just enough to connect the parts but not too tight. Once the seat is connected to the two back parts, then use the Allen Wrench to fully tighten everything.

Step 4



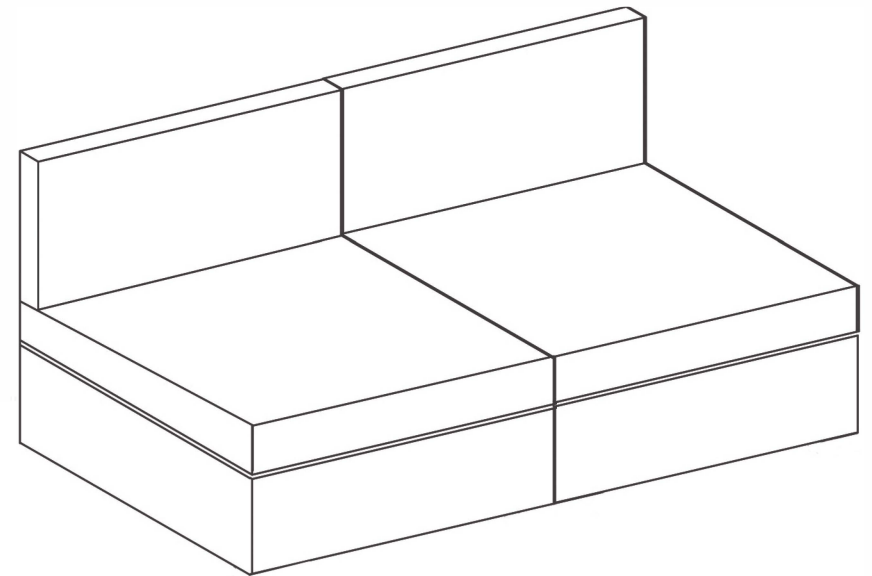
Use the enclosed Plastic Clips (as shown in the diagram) to connect the two individual Right and Left Sofa Pieces together. This will hold the two corner seats (Right and Left) together. If you prefer not to connect them and use them as individual seats, this is also one design option.

Outdoor Rattan Sofa

Thank you very much for your purchase.


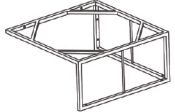
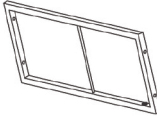




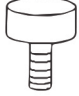



We strive to provide the best service and reliable products for every one of our customers.

Many thanks and we look forward to you shopping with us again!

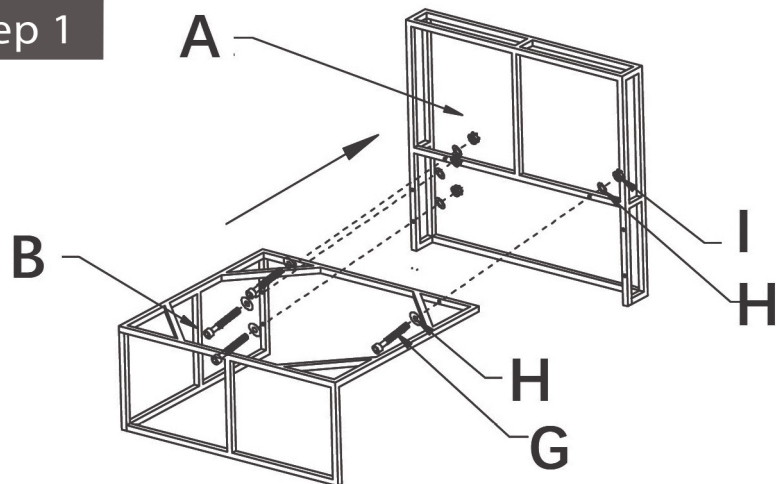


Feel free to contact us anytime with questions or comments at Support@risingstarcreator.com

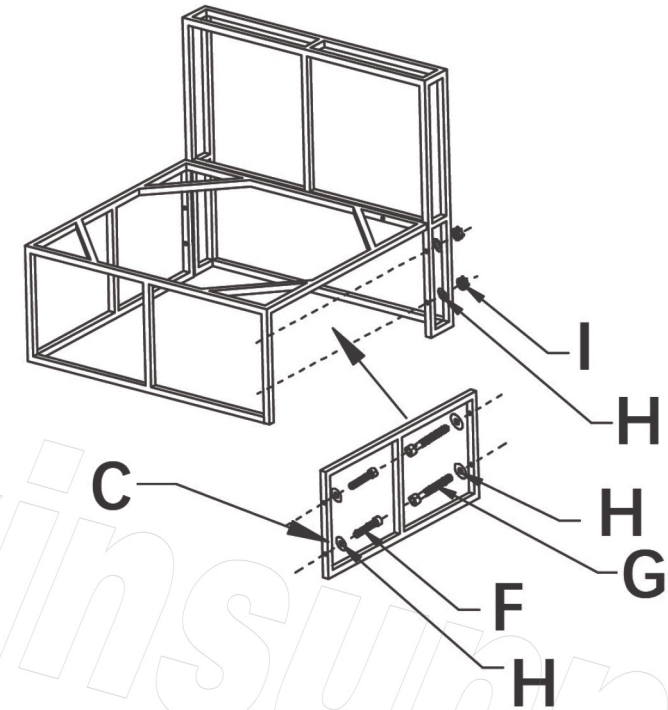
PARTS LIST

 x2	 x2	 x2	 x6
A Middle Sofa Back	B Middle Sofa Seat	C Middle Sofa Part	F Screw M6*35mm
 x12	 x30	 x12	 x16
G Screw M6*50mm	H Shim $\Phi 16*6.4*1$	I Nut M6	Z Adjustable Foot Pad
 x1	 x1	 x4	
Hexagonal Allen Wrench	Open Spanner	Plastic Clip	

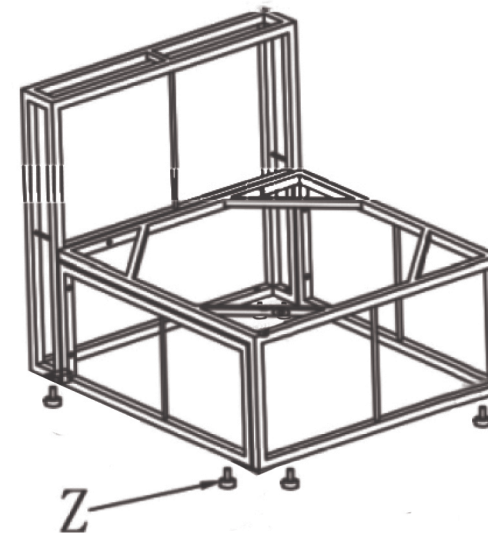
Step 1



Step 2

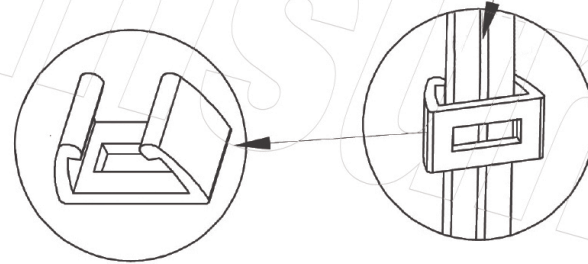
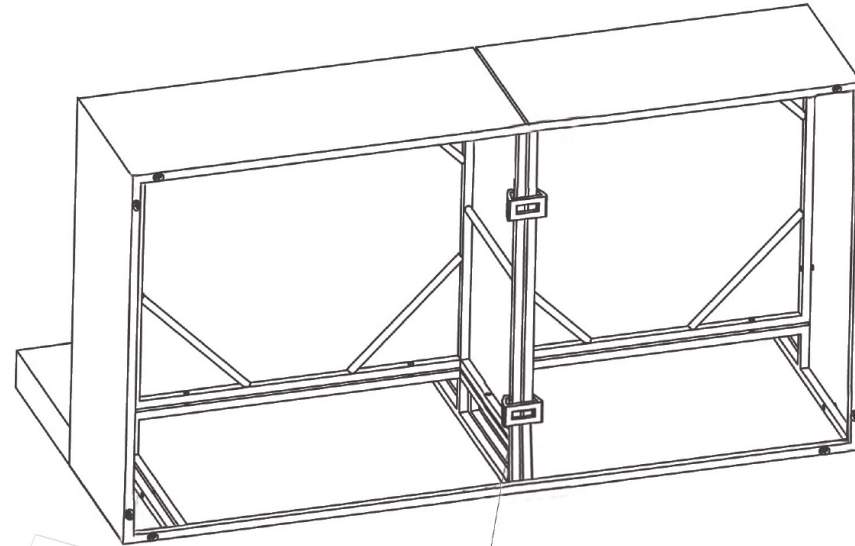


Step 3



We suggest you assemble the parts according to the diagram. Tighten everything just enough to connect the parts but not too tight. Once the seat is connected to the two back parts, then use the Allen Wrench to fully tighten everything.

Step 4



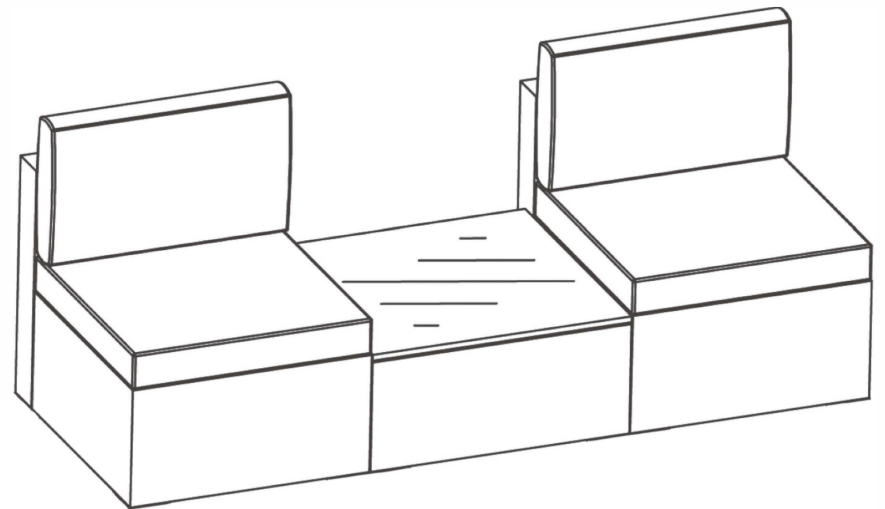
Use the enclosed Plastic Clips (as shown in the diagram) to connect the two individual Right and Left Sofa Pieces together. This will hold the two corner seats (Right and Left) together. If you prefer not to connect them and use them as individual seats, this is also one design option.

Outdoor Rattan Sofa

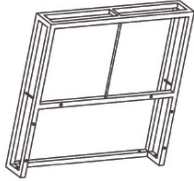
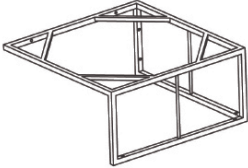
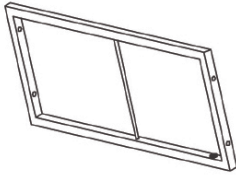
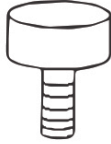




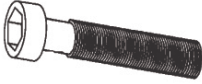

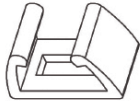
Thank you very much for your purchase.

We strive to provide the best service and reliable products for every one of our customers.

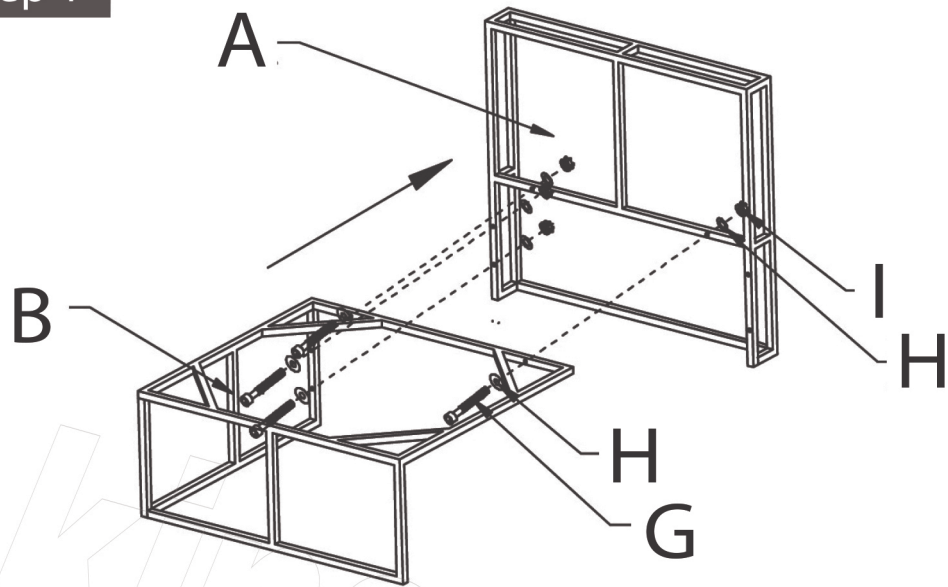
Many thanks and we look forward to you shopping with us again!



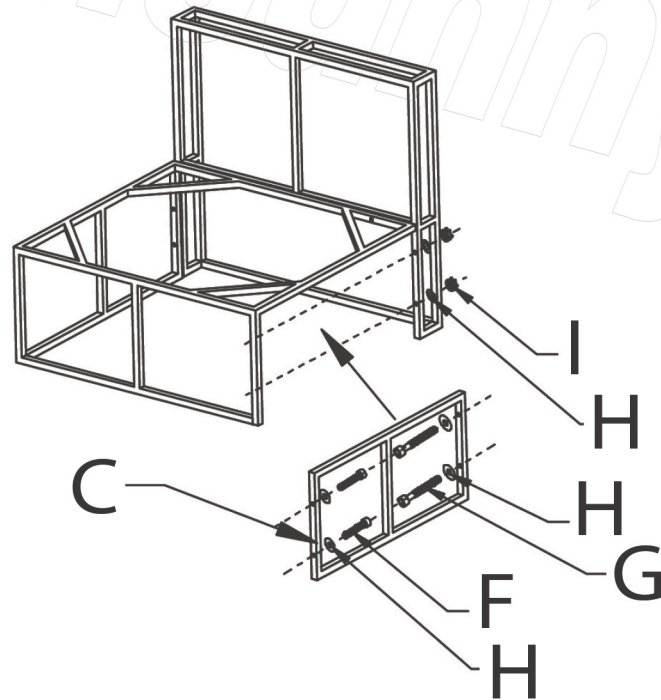
PARTS LIST

 x2	 x2	 x2	 x16
A Middle Sofa Back	B Middle Sofa Seat	C Middle Sofa Part	Z Adjustable Foot Pad
 x12	 x30	 x12	 x1
G Screw M6*50mm	H Shim $\Phi 16*6.4*1$	I Nut M6	L Hexagonal Allen Wrench
 x6	 x1	 x4	
F Screw M6*35mm			

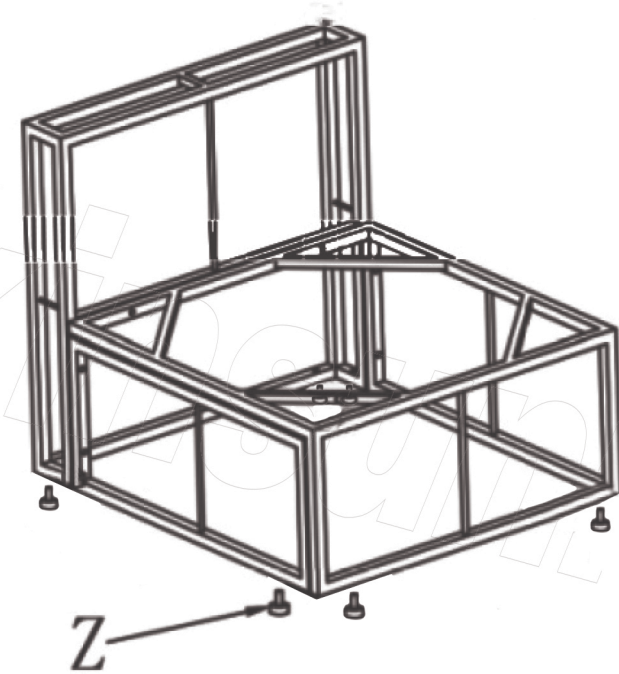
Step 1



Step 2

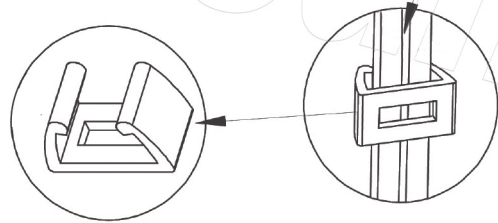
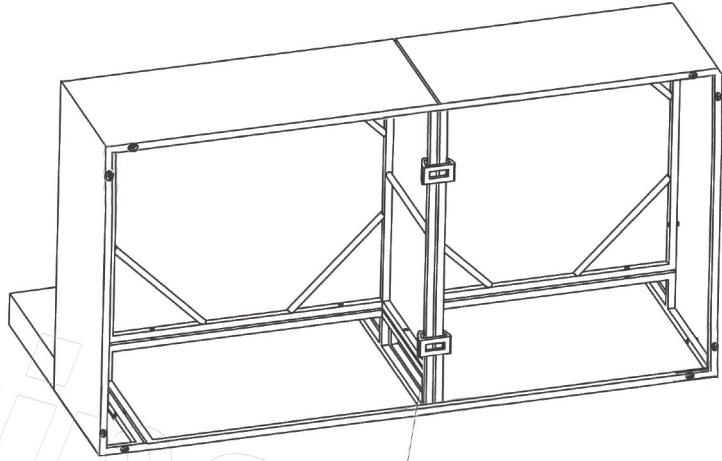


Step 3



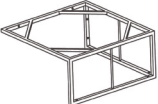
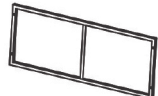
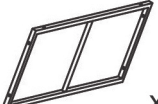


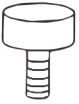
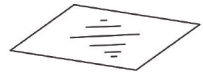
We suggest you assemble the parts according to the diagram. Tighten everything just enough to connect the parts but not too tight. Once the seat is connected to the two back parts, then use the Allen Wrench to fully tighten everything.

Step 4

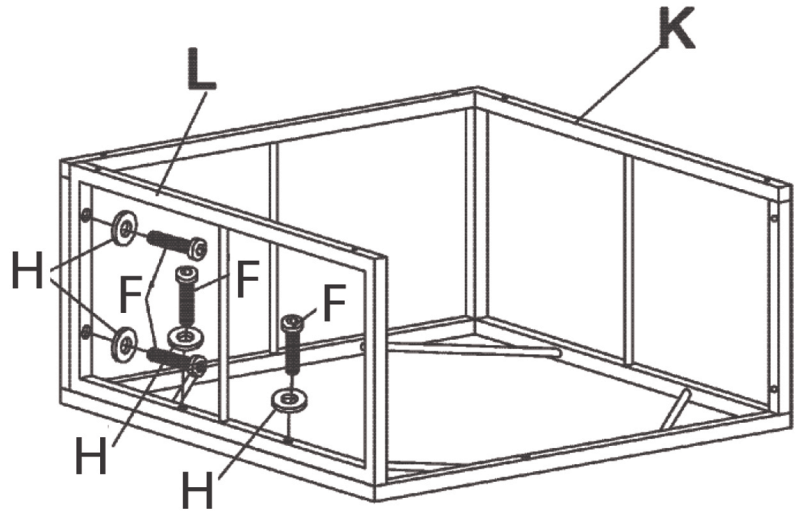


Use the enclosed Plastic Clips (as shown in the diagram) to connect the two individual Right and Left Sofa Pieces together. This will hold the two corner seats (Right and Left) together. If you prefer not to connect them and use them as individual seats, this is also one design option.

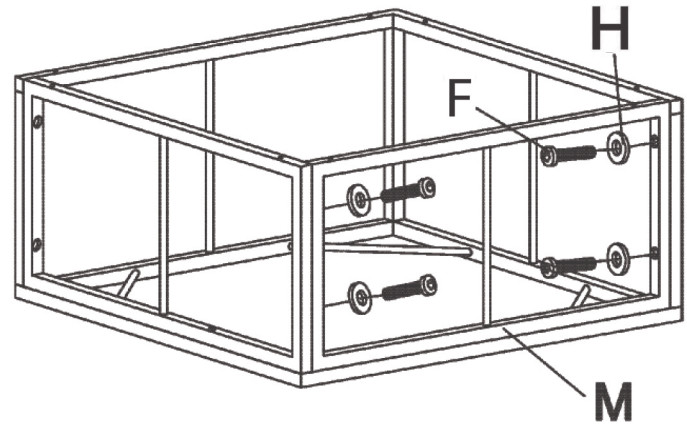
TABLE PARTS LIST

 x1	 x1	 x1	 x8
K Table Top	L Table Part 1	M Table Part 2	F Screw M6*35mm
 x8	 x8	 x1	
H Shim $\Phi 16*6.4*1$	Z Adjustable Foot Pad	Glass	

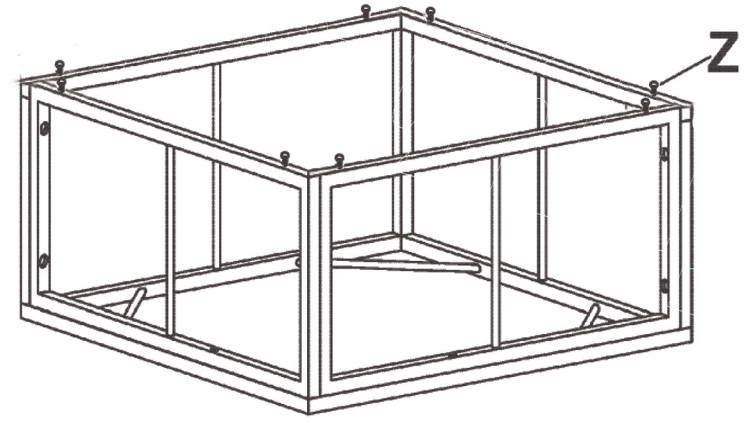
Step 1



Step 2



Step 3



Step 4

