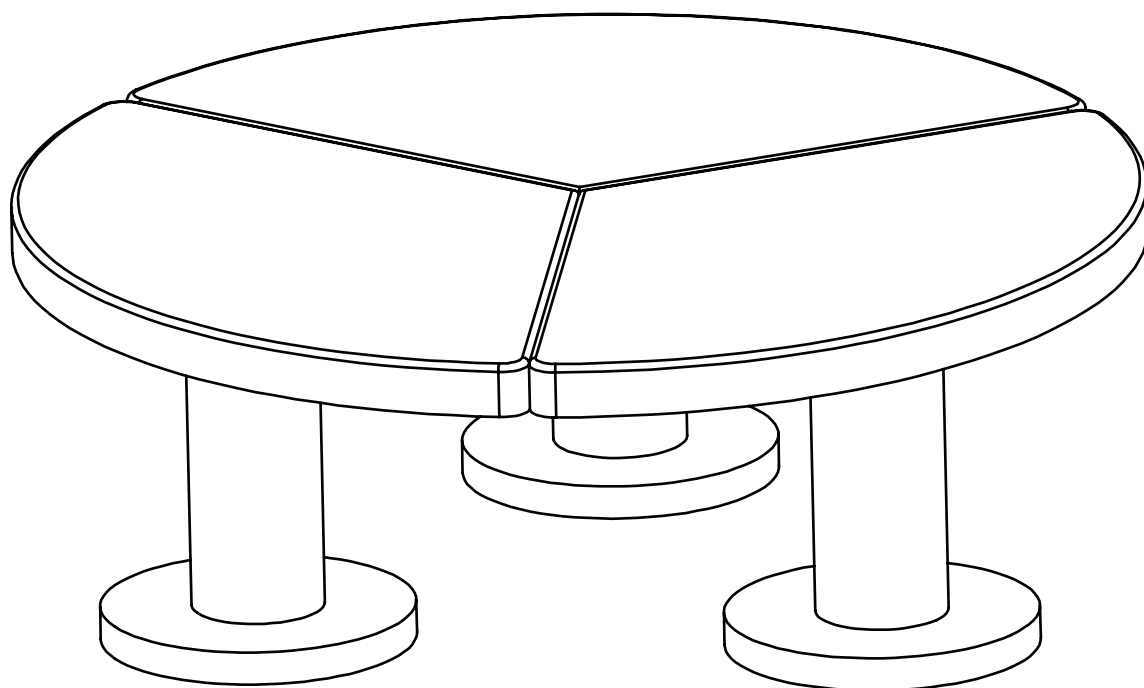


# Coffee Table

Assembly Instruction-please keep for future reference



## Dimensions

Width-39.4inch

Depth-39.4inch

Height-15.7inch

Important-please read this instructions fully before starting assembly



# Safety and Care Advice

## Important – Please read these instructions fully before starting assembly

- Check you have all the components and tools listed on the following pages.
- Remove all fittings from the plastic bags and separate them into their groups.
- Keep children and animals away from the work area, small parts could choke if swallowed.
- Make sure you have enough space to layout the parts before starting.

- During assembly do not stand or put weight on the product, this could cause damage.
- Assemble the item as close to its final position (in the same room) as possible.
- Assemble on a soft level surface to avoid damaging the unit or your floor.
- Parts of the assembly will be easier with 2 people.



power drill is set on a low torque setting.

- To reduce the likelihood of damaging your product please ensure that your

## Care and maintenance

- Only clean using a damp cloth and mild detergent, do not use bleach or abrasive cleaners.
- From time to time check that there are no loose screws on this unit.
- This product should not be discarded with household waste. Take to your local authority waste disposal centre.

## Handy Hints

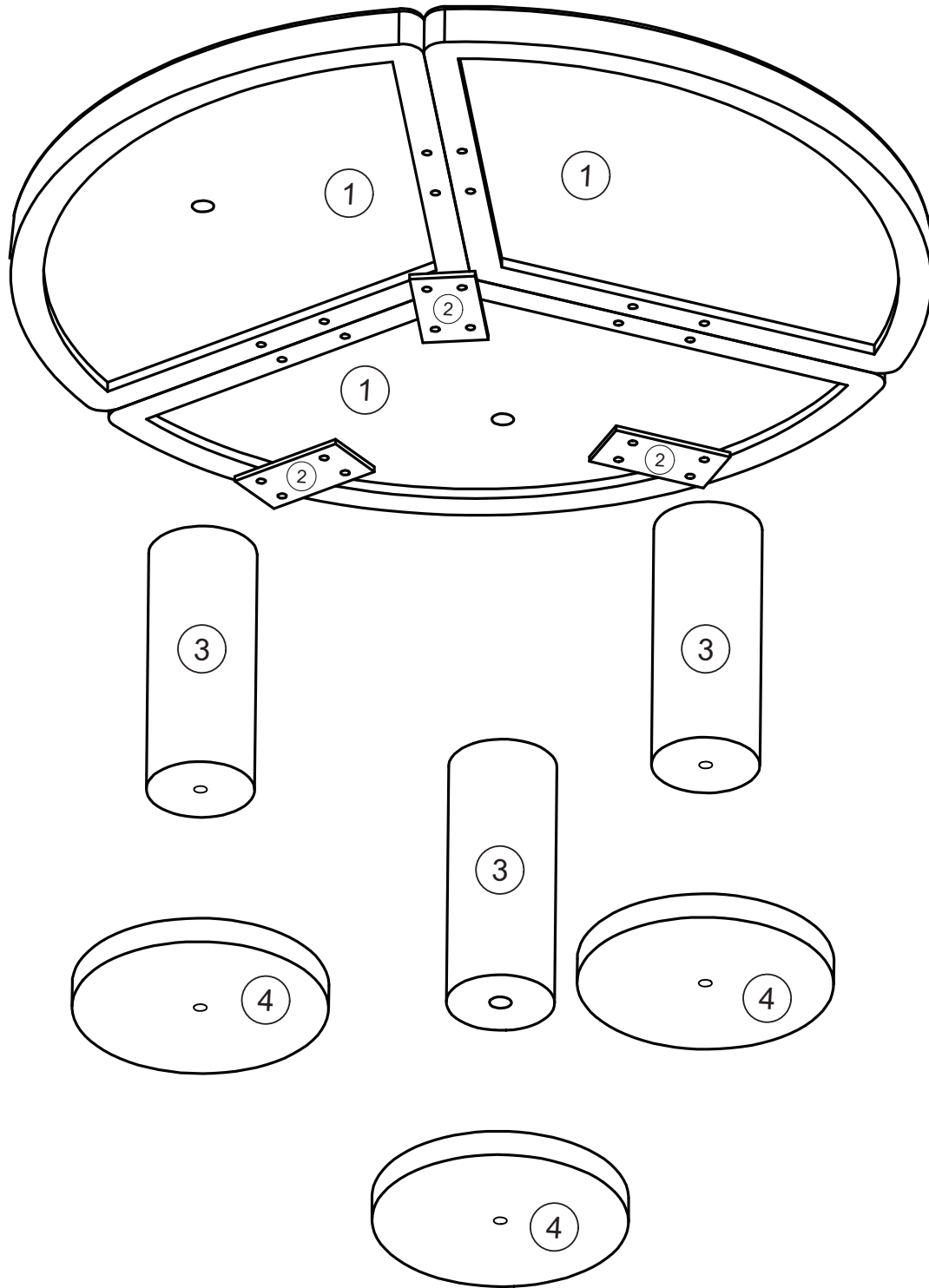
- Assemble all parts and bolts loosely during assembly, only once the product is complete should you fully tighten the bolts
- Regularly check and ensure That all bolts and fittings are tightend properly.

## **WARNING** In order to help prevent overturning – please follow these instructions

To help prevent product toppling over please follow the below steps:-

- Use the anti tip stap or wall fixing method provided (if applicable)
- Do not allow children to climb or hang on the furniture
- Do not open more than one drawer at a time
- Do not place heavy items in the top drawers
- Do not place heavy items on top of the furniture, unless the furniture has been designed for this purpose


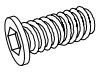

# Assembly Instructions

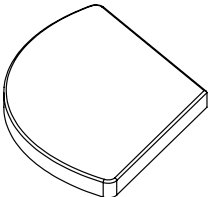
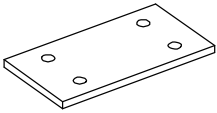
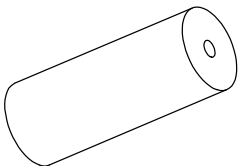
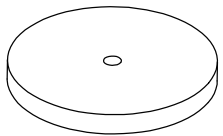


# Components - Fittings

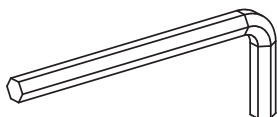
Please check you have all the panels listed below

Note: The quantities below are the correct amount to complete the assembly. In some cases more fittings may be supplied than are required.

<p>(A)</p>  <p>M8*30mm Screw x 3</p>	<p>(B)</p>  <p>M8*30mm Screw x 15</p>	<p>(C)</p>  <p>Allen key x 1</p>
---	--	--

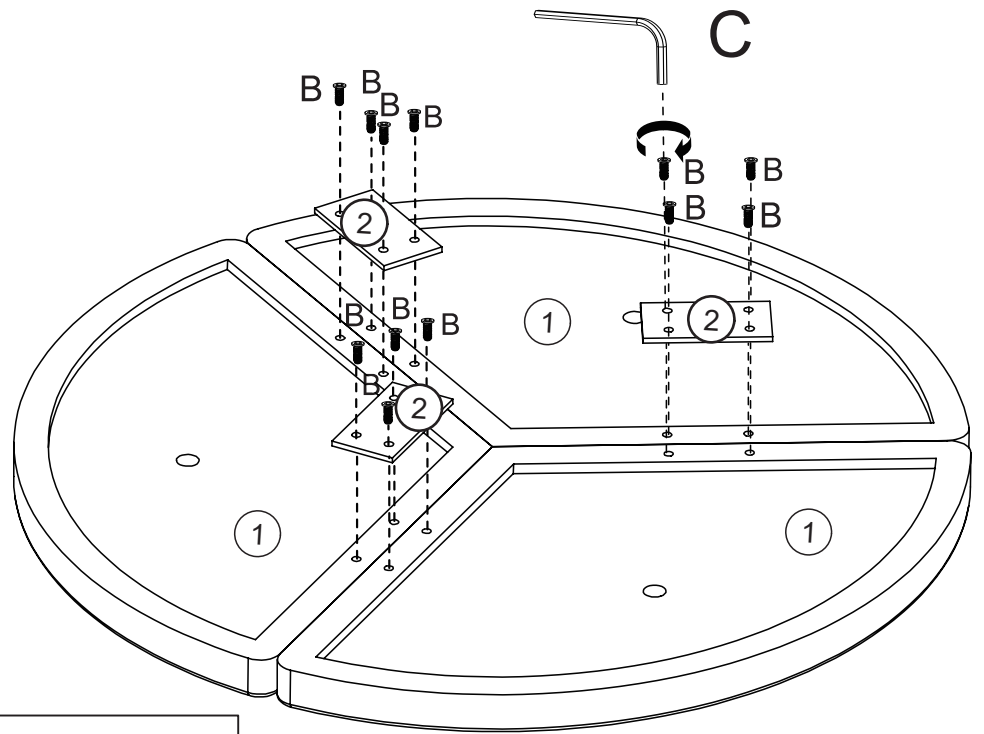
<p>(1) x3</p>  <p>800*840*40mm</p>	<p>(2) x3</p>  <p>200*100mm</p>	<p>(3) x3</p>  <p>160*160*360mm</p>	<p>(4) x3</p>  <p>300*300mm</p>
---	--	---	--

## Tools required

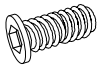


# Assembly Instructions

1



(B)



8\*30mm Screw x 12

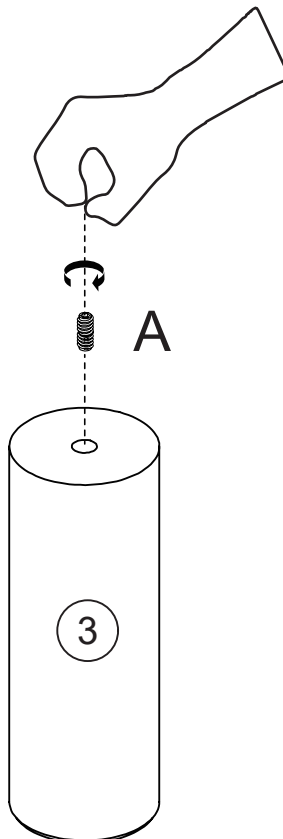
(C)



Allen key x 1

2

X 3



(A)

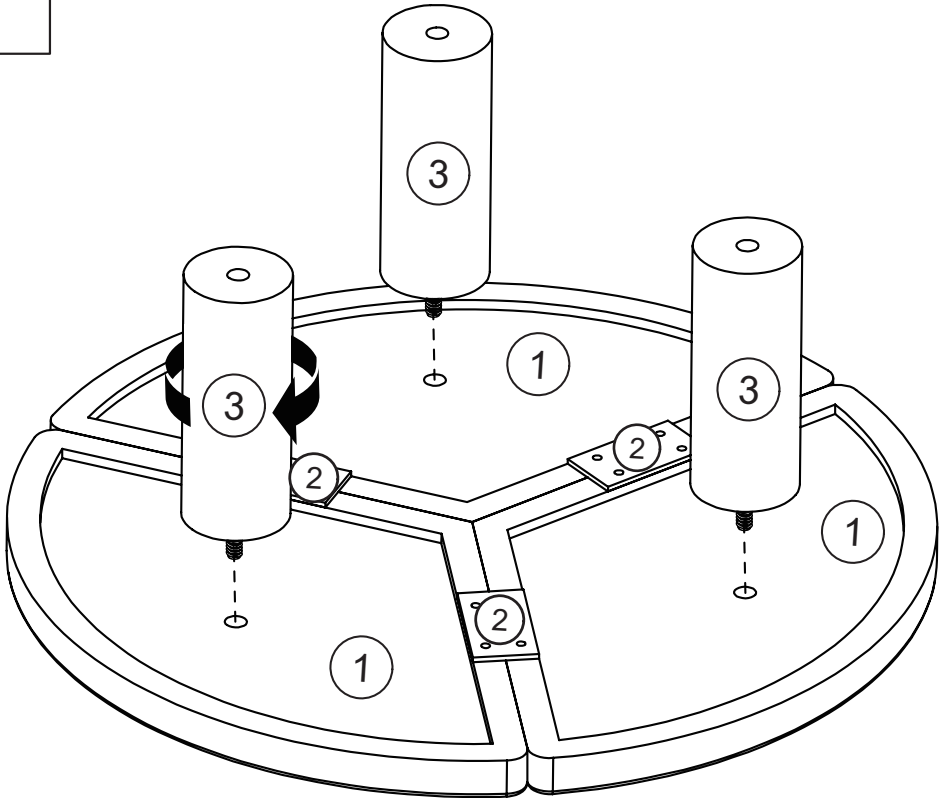


8\*30mm Screw x 3

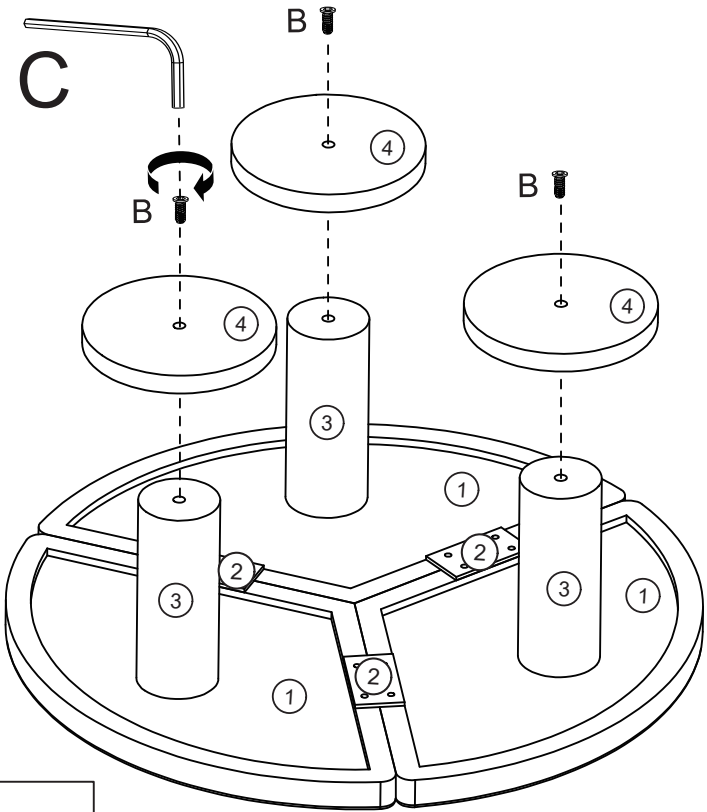
4

# Assembly Instructions

3



4



(B)



8\*30mm Screw x 3

(C)

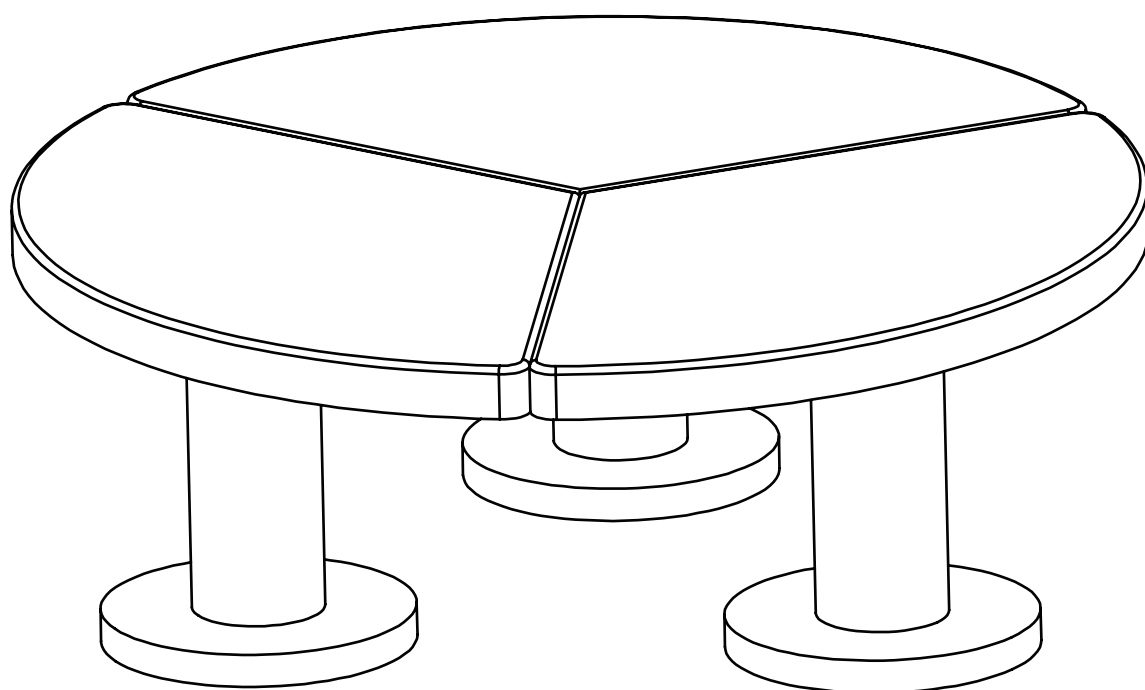


Allen key x 1

5

# Assembly Instructions

5



6