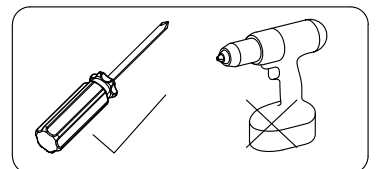
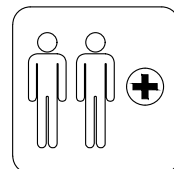
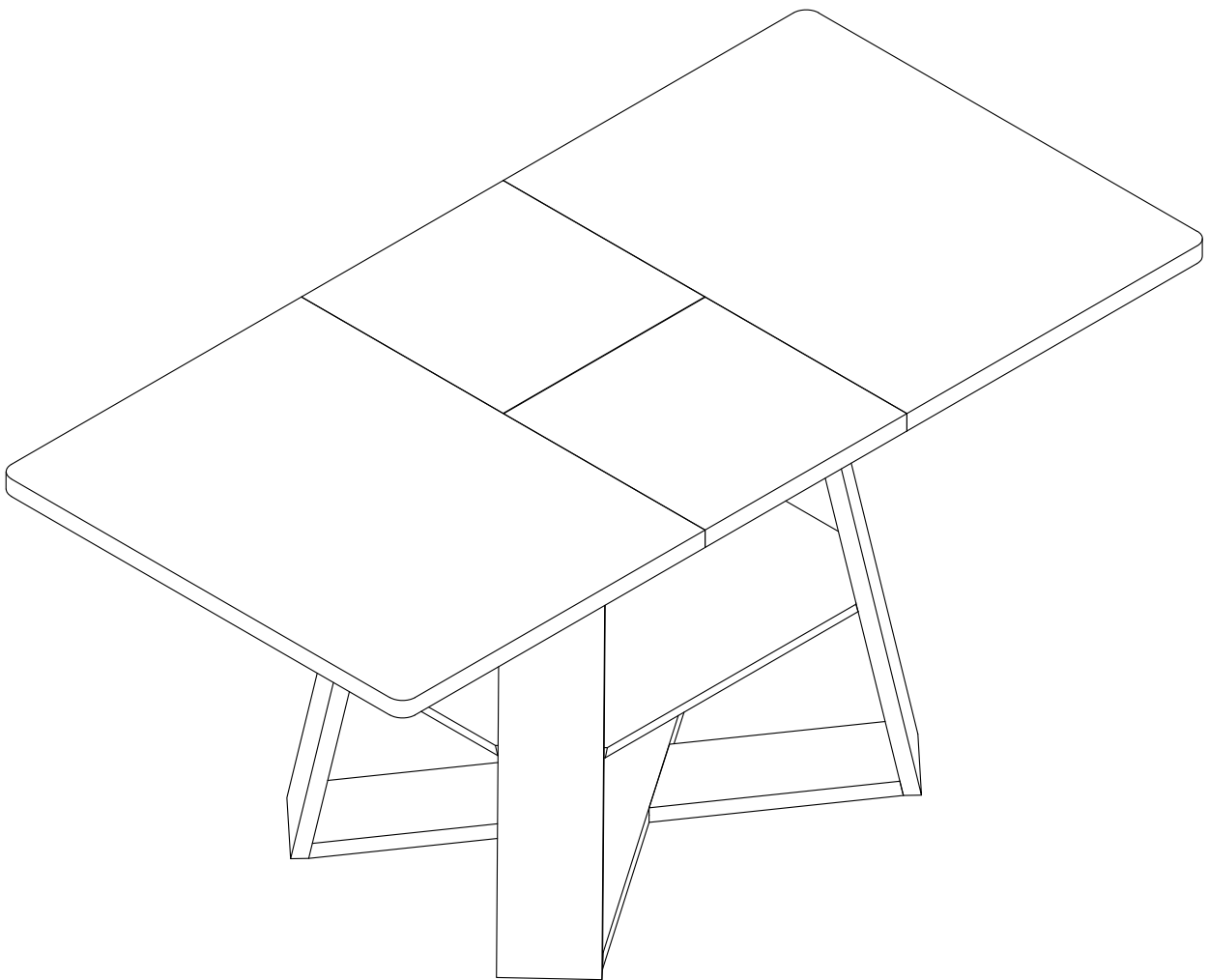
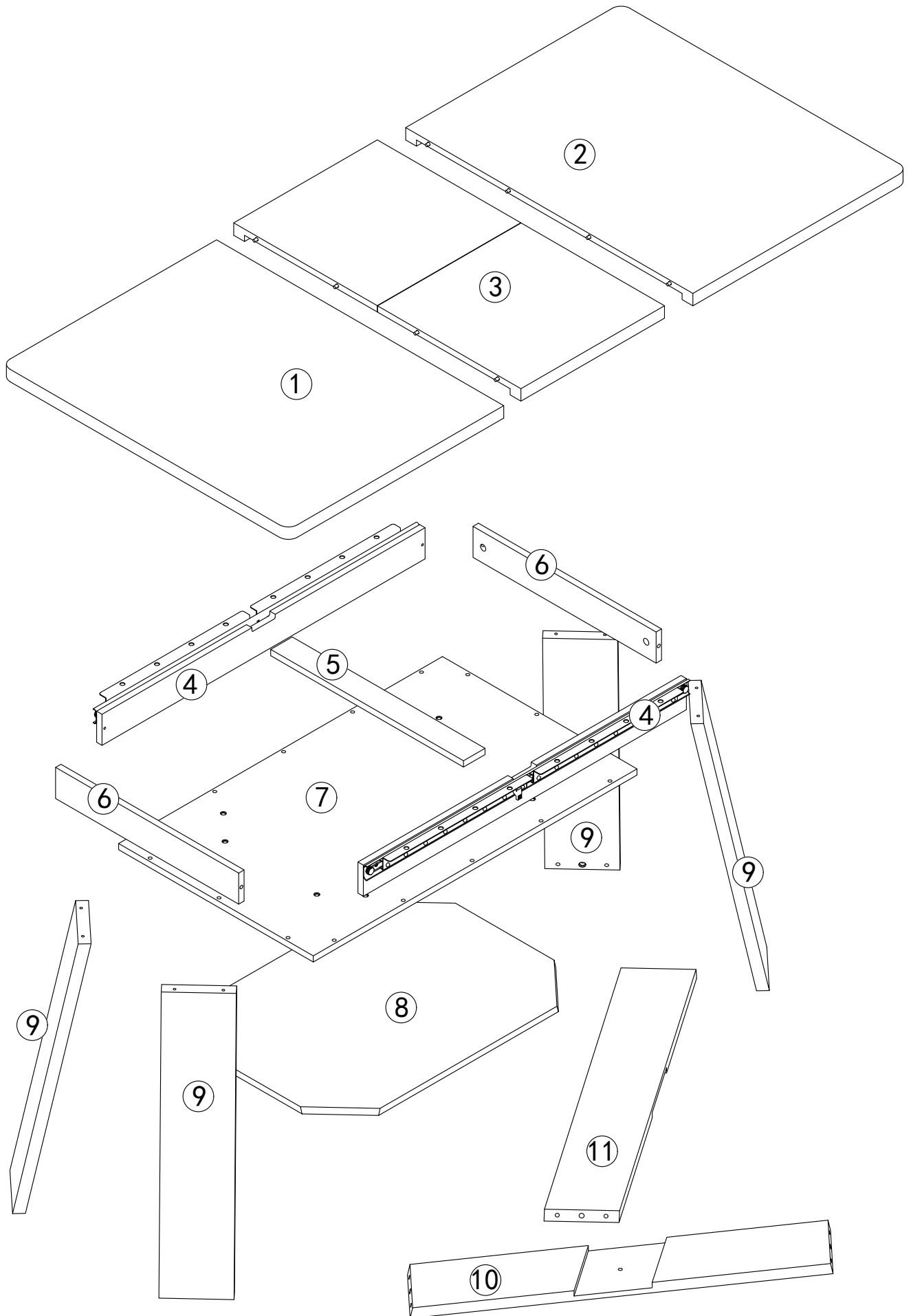


# Assembly Manual

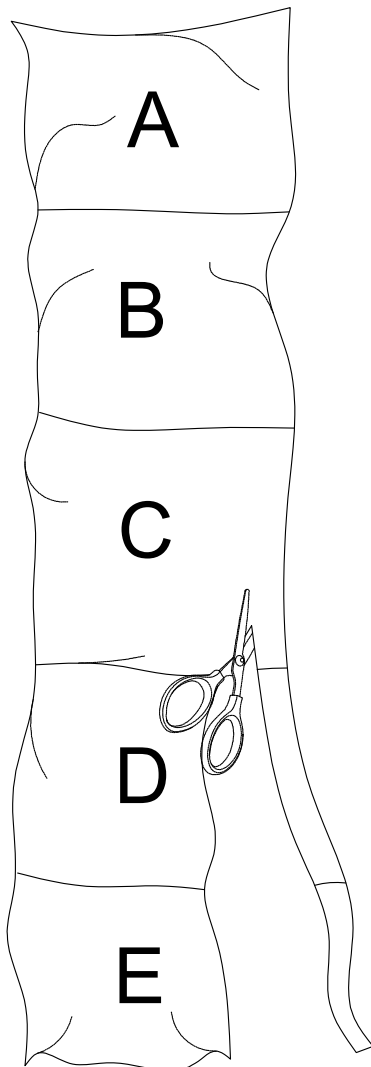
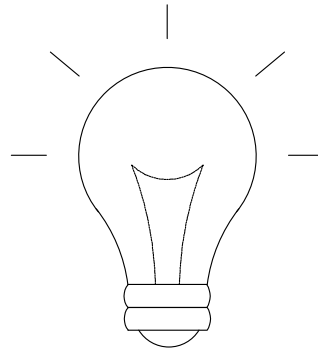


# ASSEMBLY INSTRUCTIONS



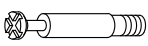

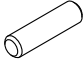


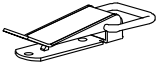
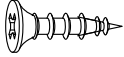
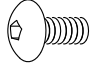
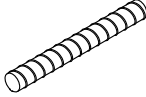



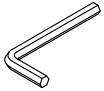
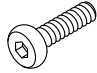
## **IMPORTANT:**

1. Do not tighten bolts / screws completely until all bolts / screws are lined up and inserted into holes
2. Do not over tighten screws and bolts to avoid stripping
3. Please use hand tools to assemble this product, you can also use power tools (please use power tools carefully)
4. In case of packaging damage during transportation, missing components, or the need for installation guidance, don't rush, feel free to reach out to our dedicated seller support team for professional assistance.



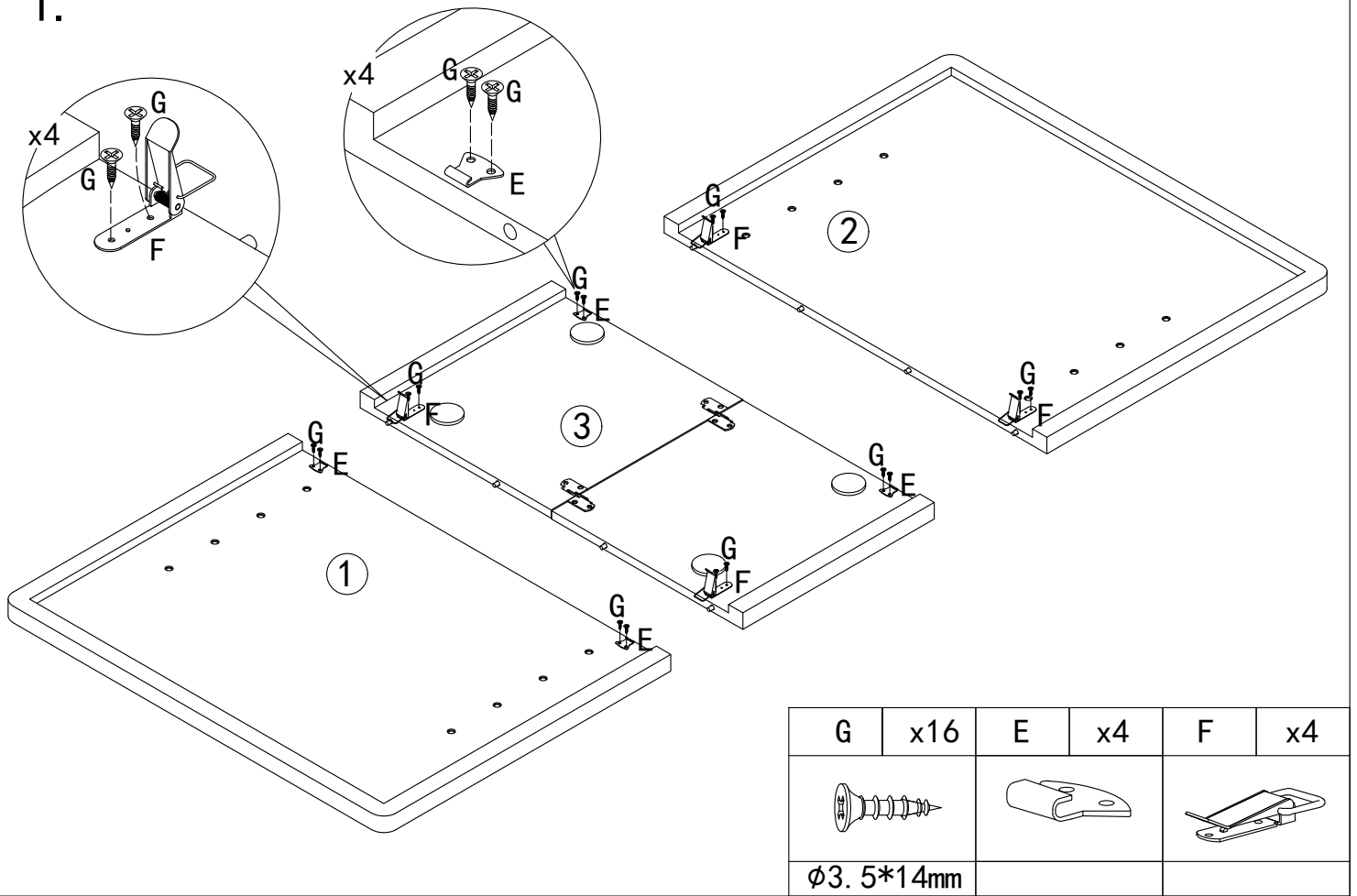
## **friendly reminder**

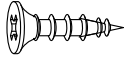

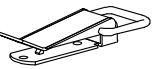
To avoid errors and confusion during the installation of accessories, use the type and quantity of hardware accessories according to the installation procedure described in the instructions. First, unroll the accessories bag and lay out the hardware accessories, cut holes in the side, and take out the hardware accessories

A	x12	B	x12	C	x14	D	x18	E	x4	F	x4
											
M6*35mm		φ15mm		Ø8*30mm		M7*50mm					
G	x16	H	x16	I	x4	J	x4	K	x4	L	x1
											
φ3.5*14mm		M6*12mm		M8*70mm				M8		M8	
M	x1	N	x1								
											
M4		M6*18mm									

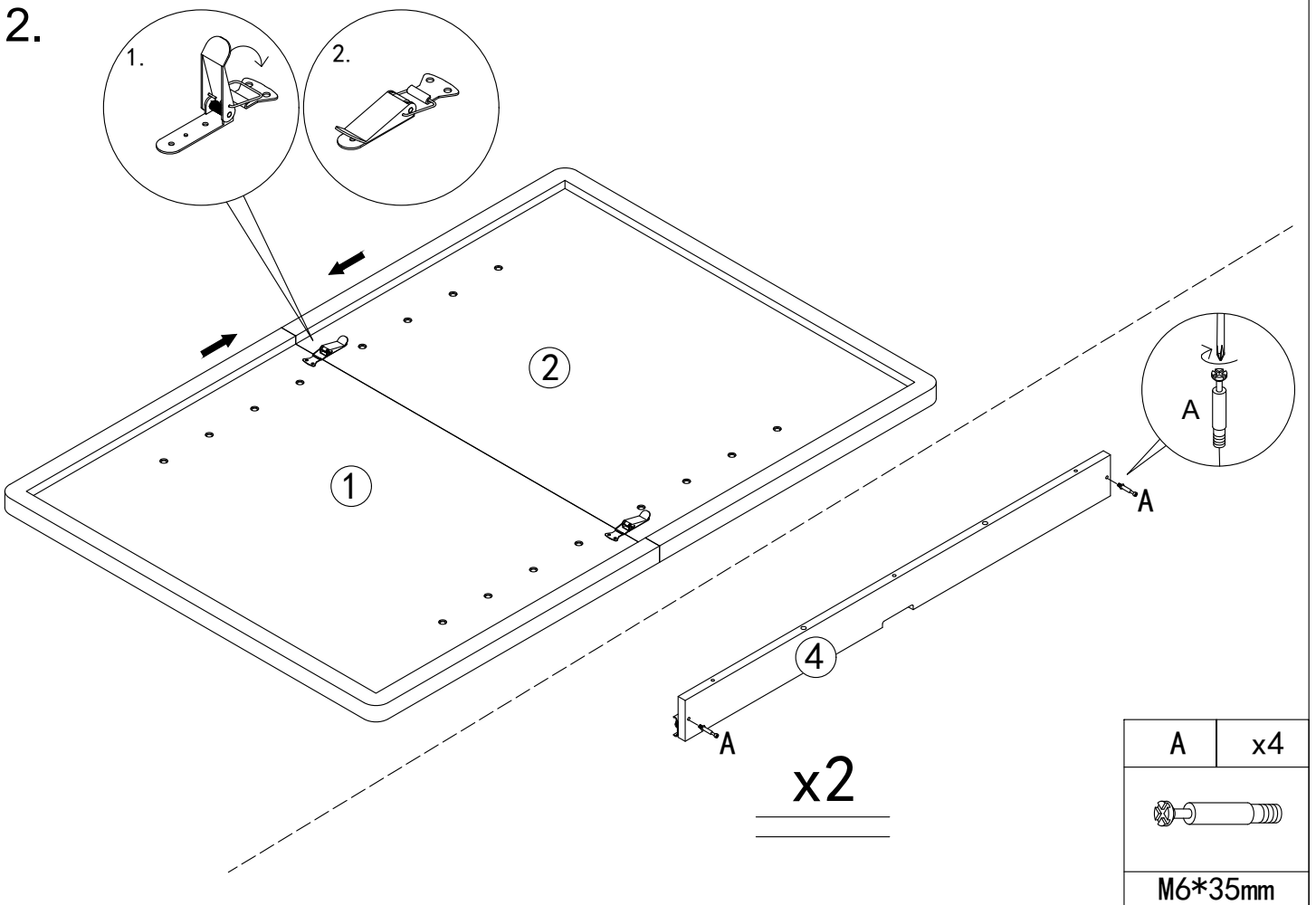
# INSTALLATION

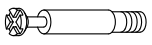
1.



G	x16	E	x4	F	x4
					
Ø3.5*14mm					

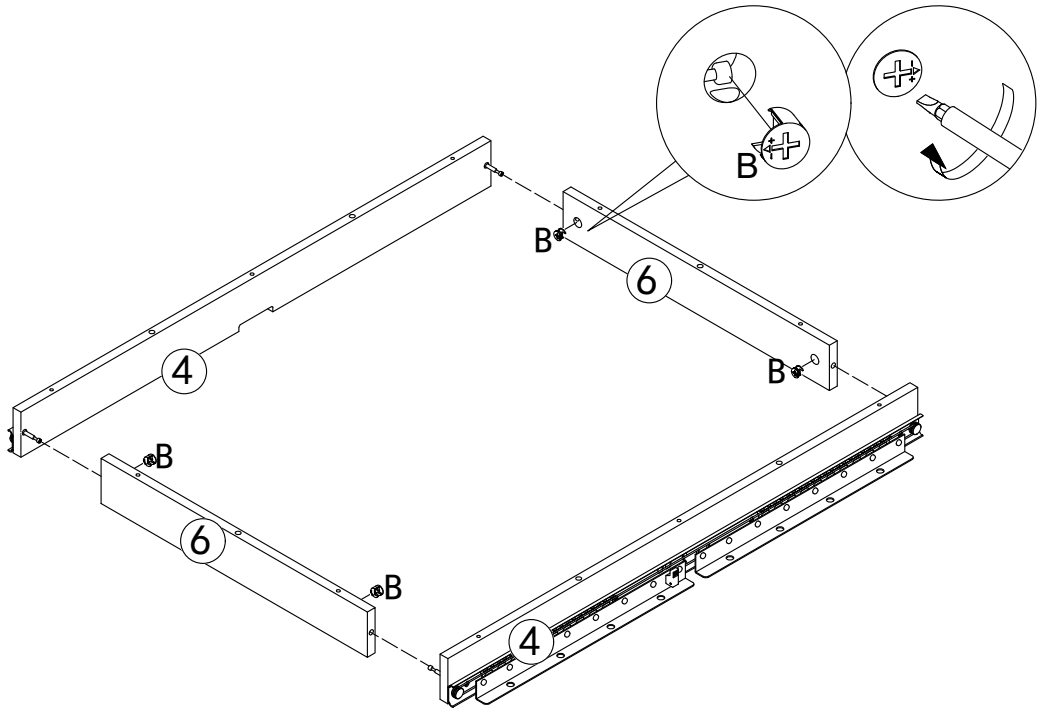
2.



A	x4
	
M6*35mm	

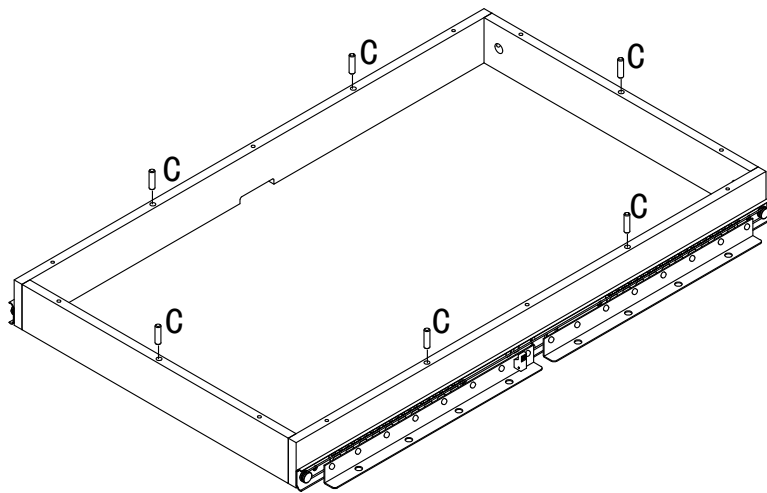
# INSTALLATION

3.



B	x4
Ø15mm	

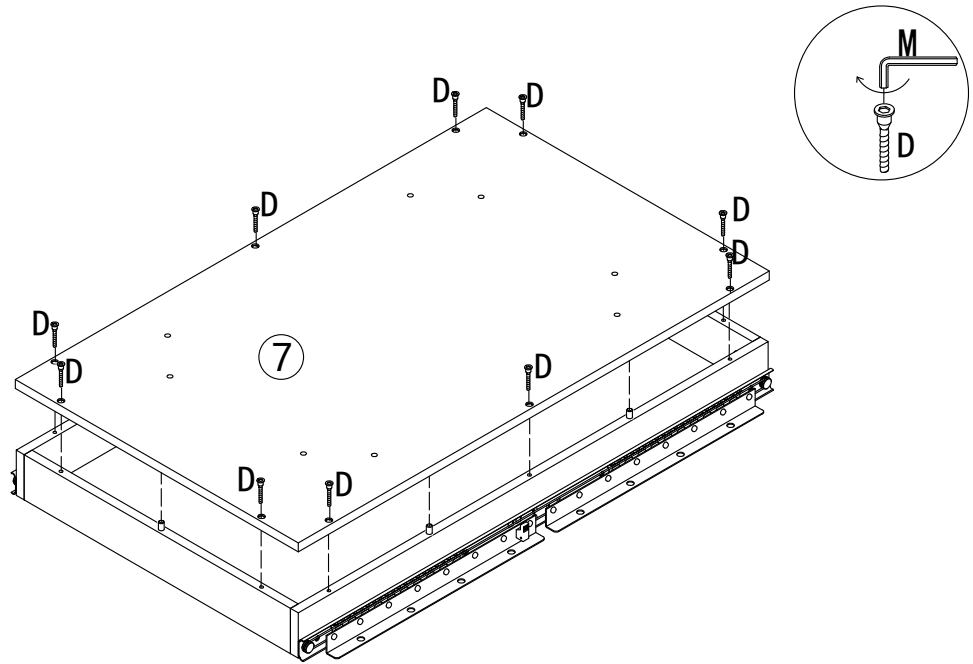
4.

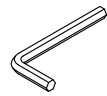



C	x6
Ø8*30mm	

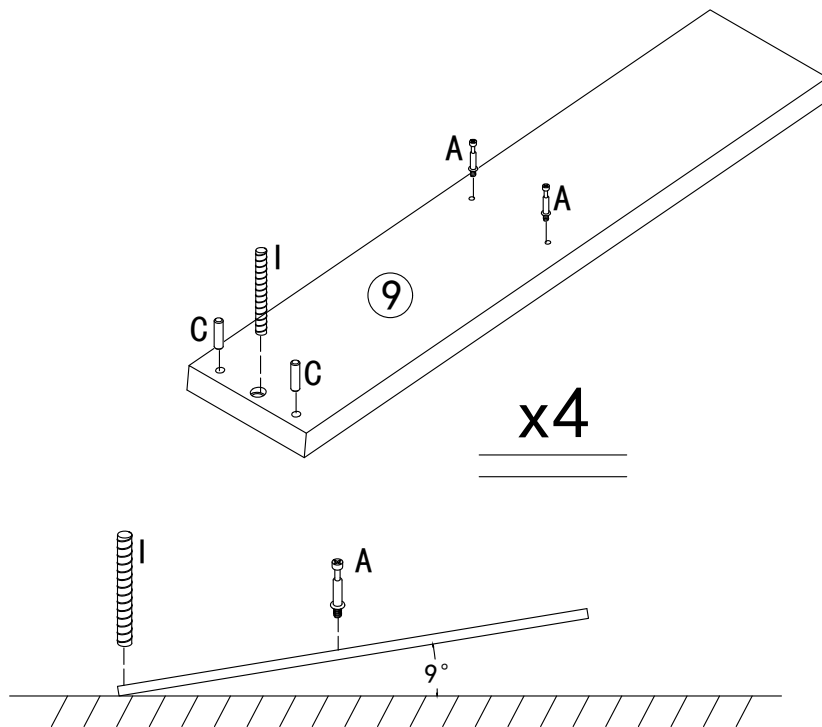
# INSTALLATION

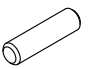
5.


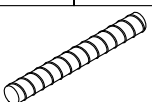


M	x1	D	x10
			
M4		M7*50mm	

6.

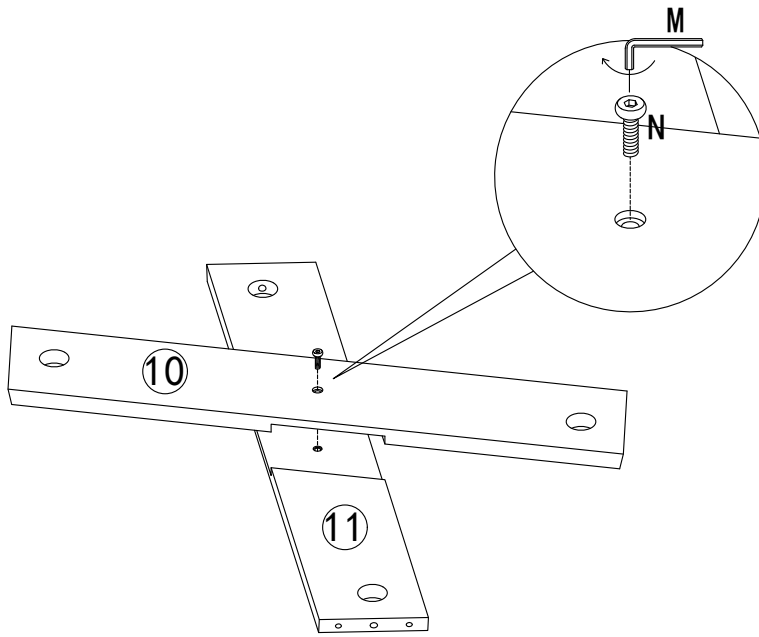


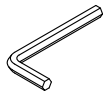
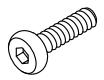
C	x8
	
Ø8*30mm	

A	x8	I	x4
			
M6*35mm		M8*70mm	

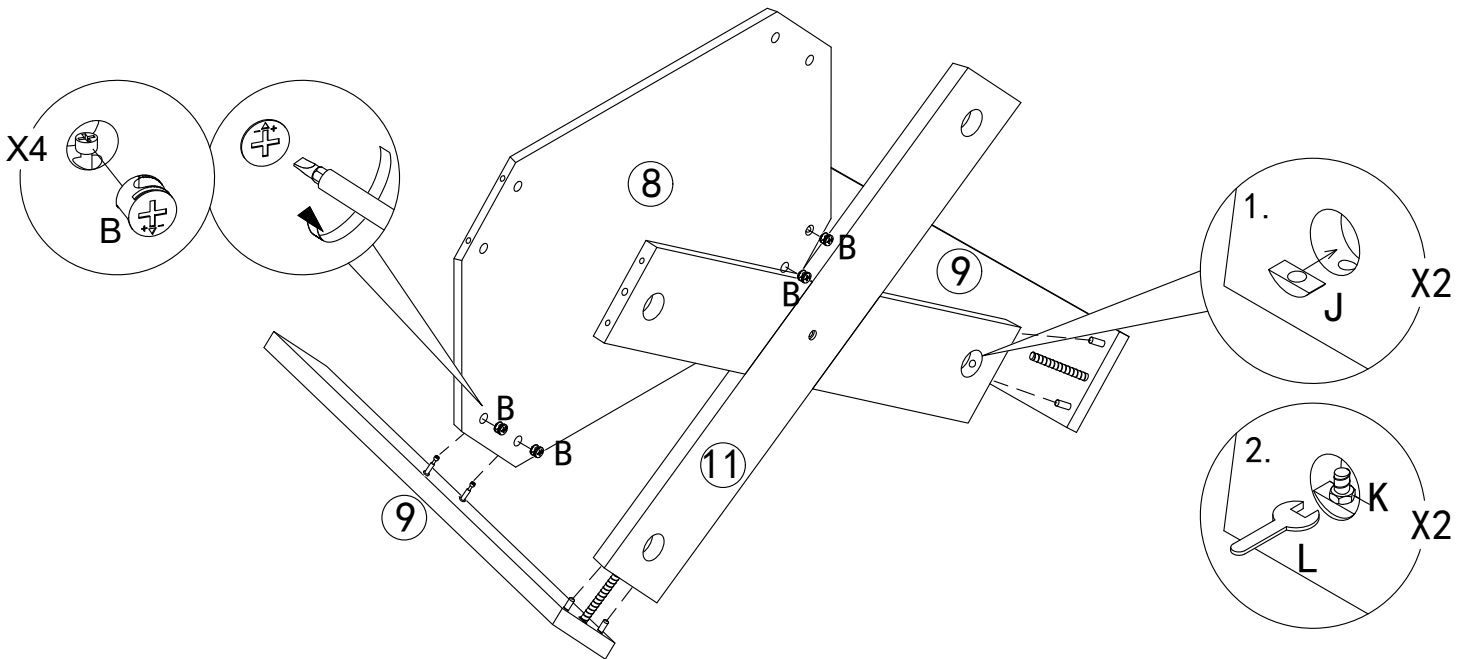
# INSTALLATION



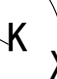
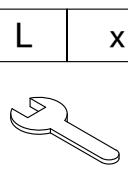
7.



M	x1	N	x1
			
M4		M6*18mm	

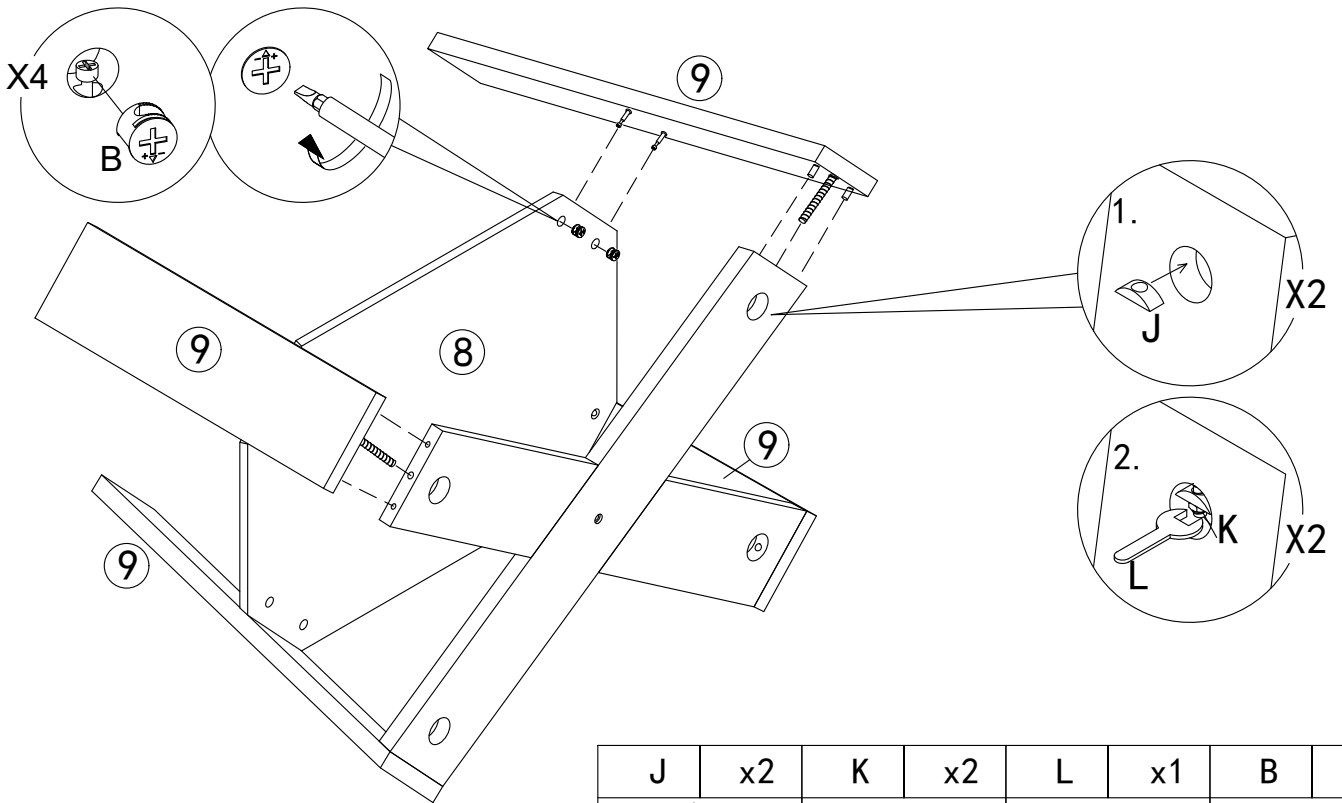
8.



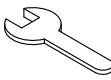



B	x4	J	x2	K	x2	L	x1
							
φ15mm				M8		M8	

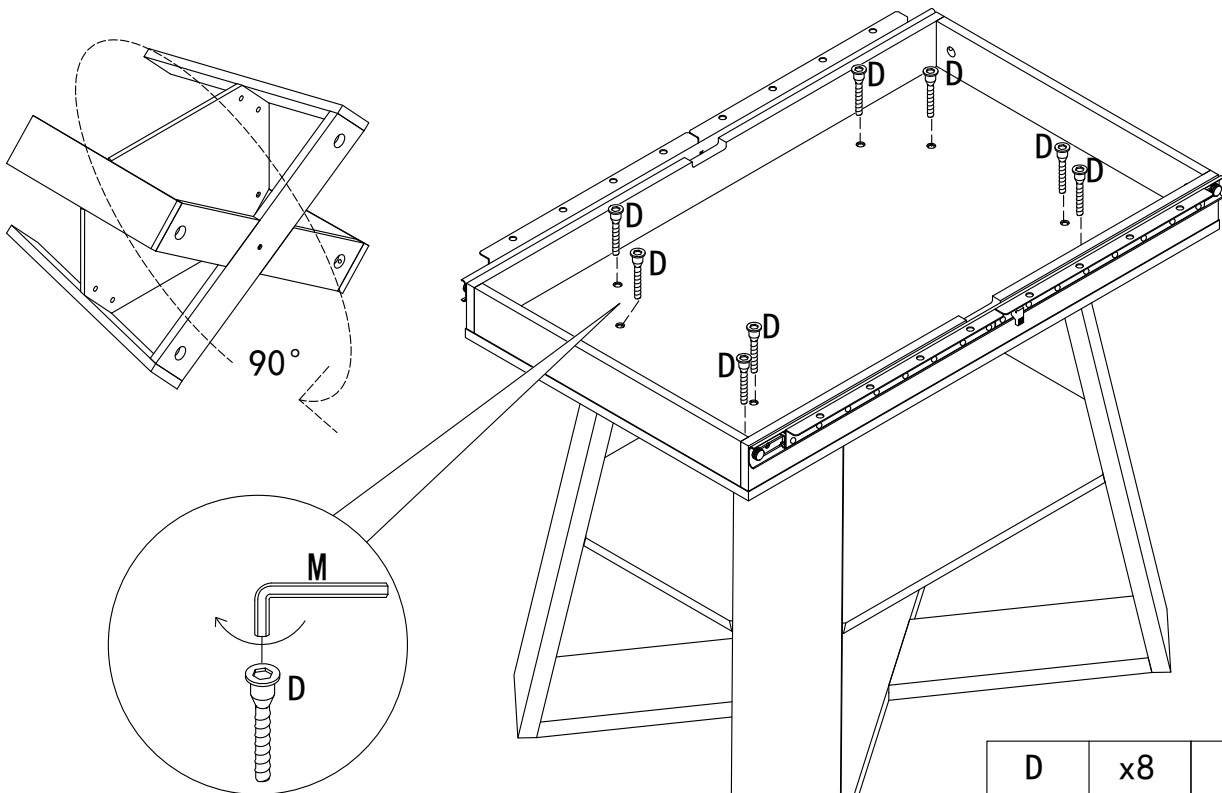
# INSTALLATION


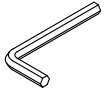
9.



J	x2	K	x2	L	x1	B	x4
							
		M8		M8		Ø15mm	

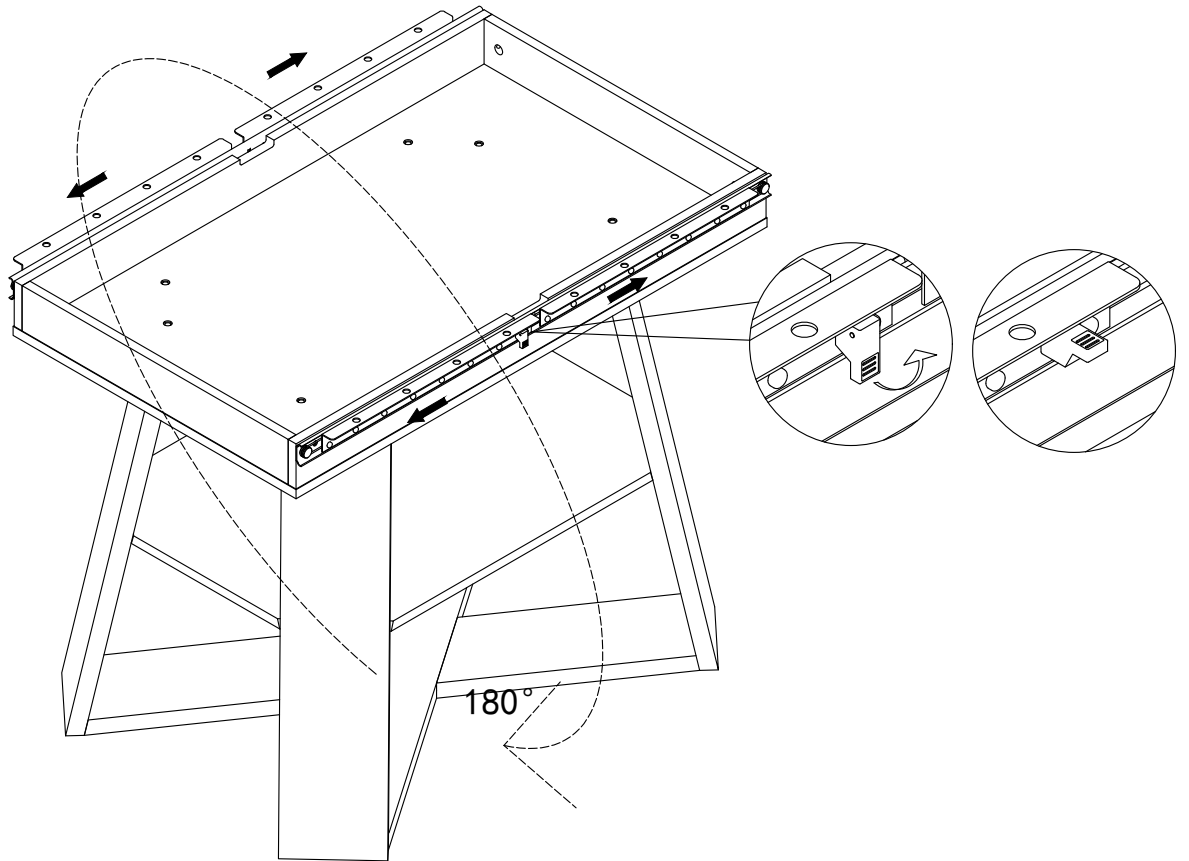
10.



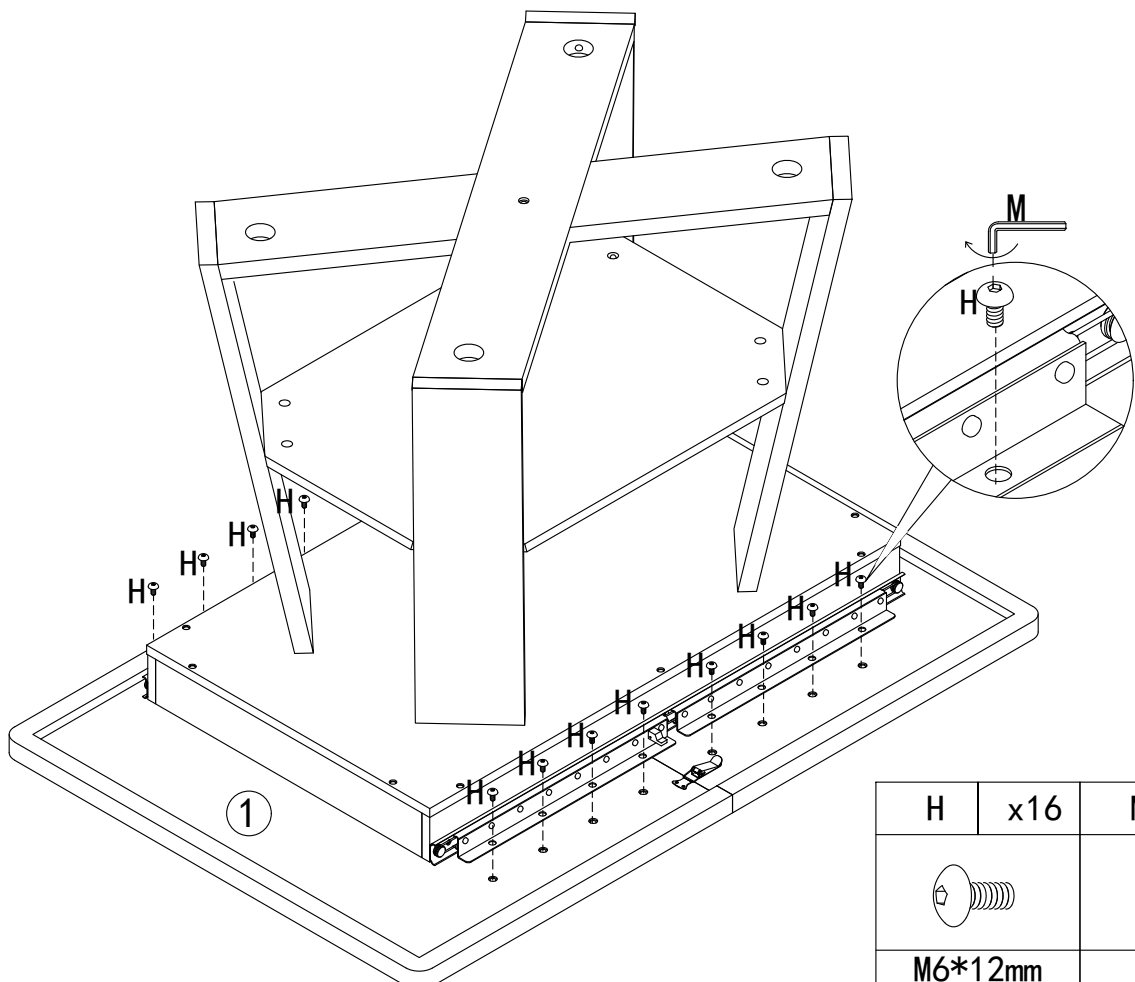
D	x8	M	x1
			
M7*50mm		M4	

# INSTALLATION

11.

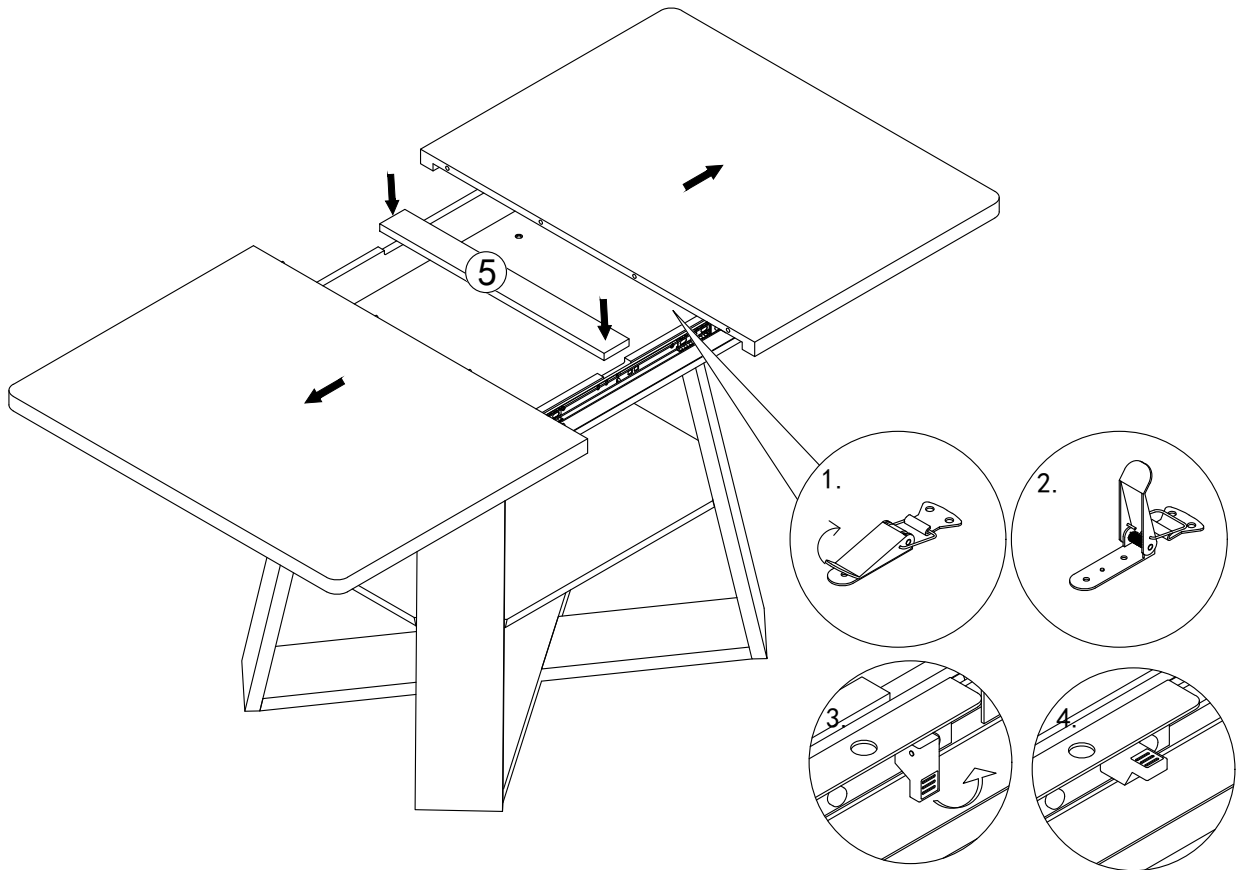


12.

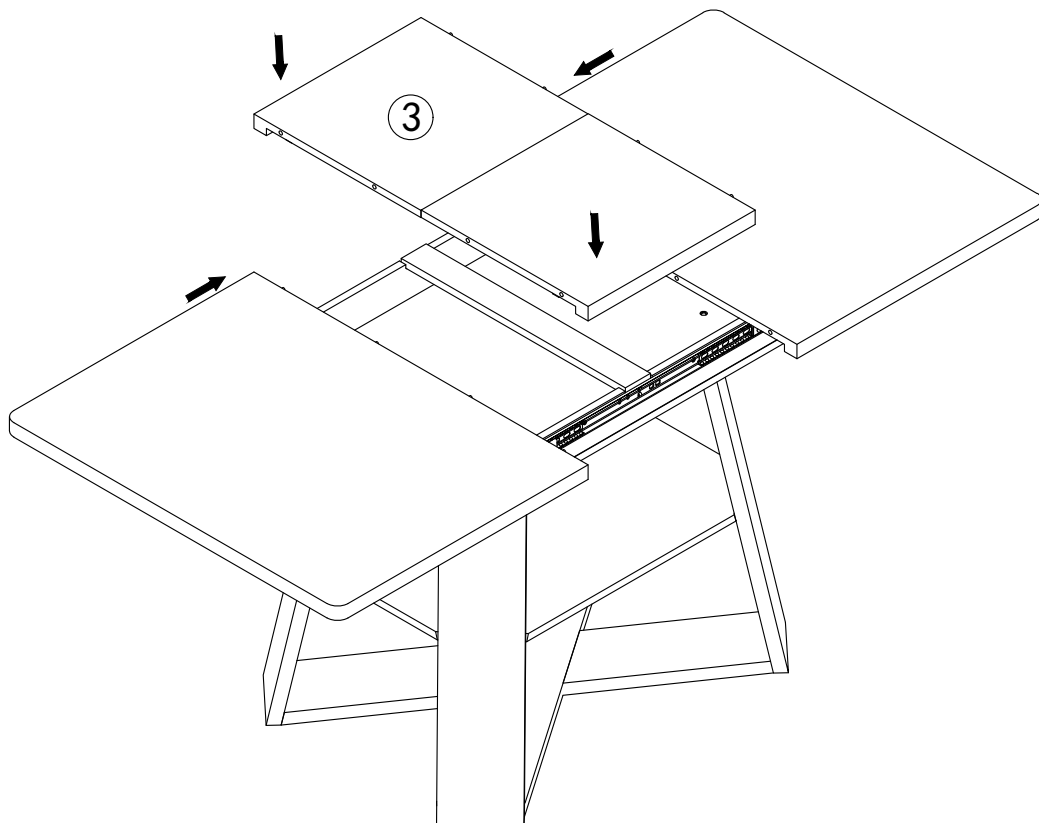


# INSTALLATION

13.

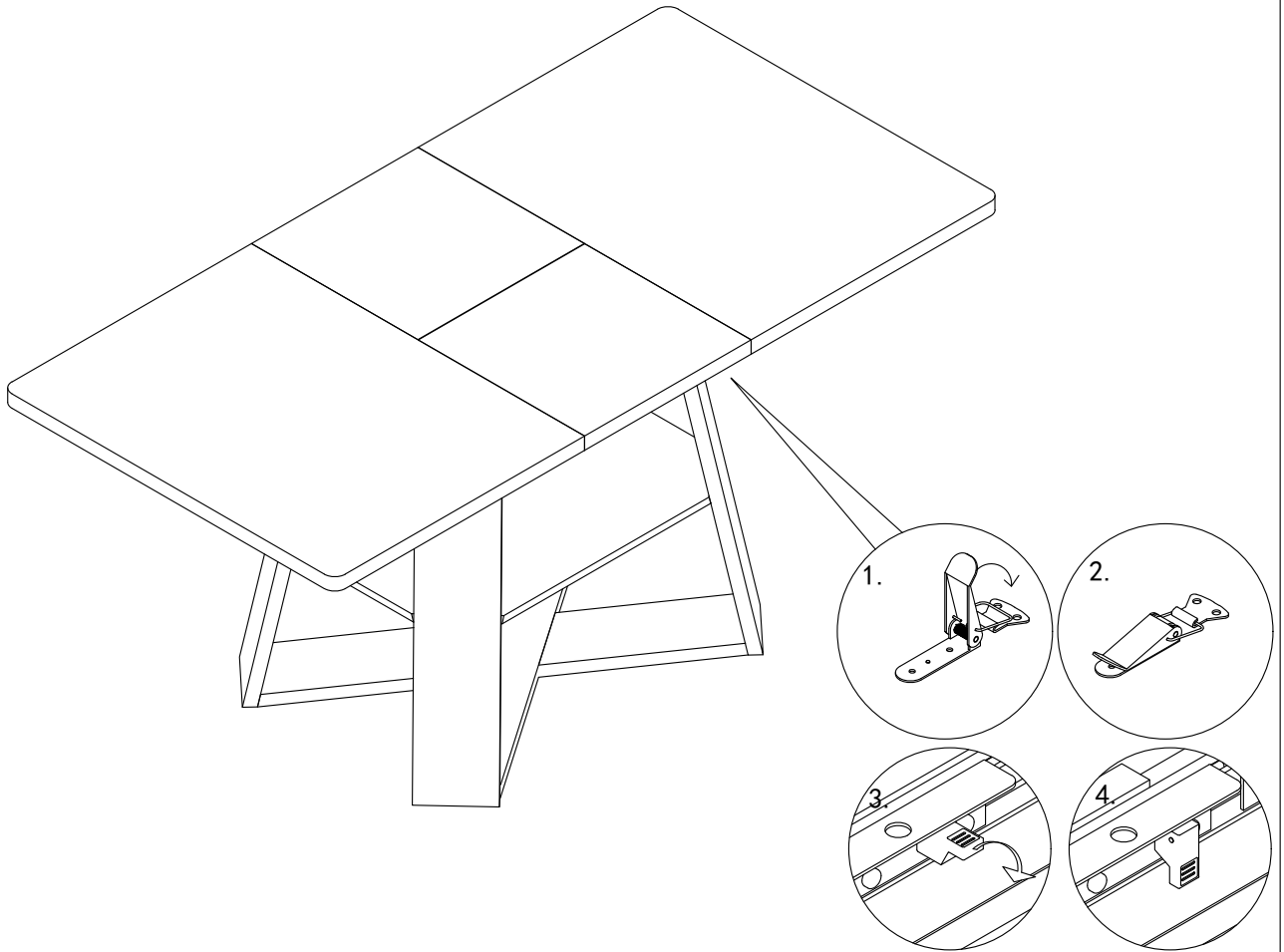


14.

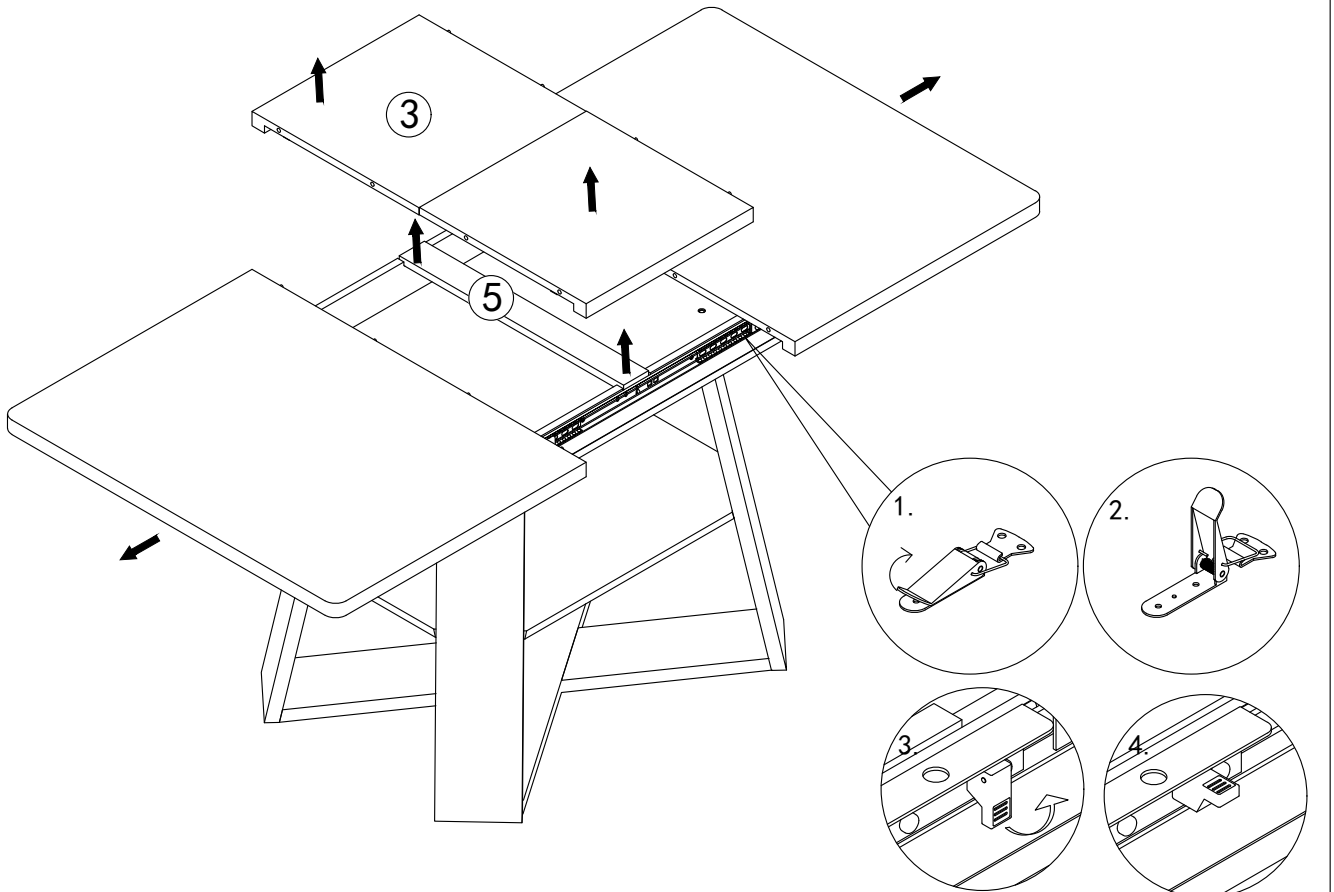


# INSTALLATION

15.

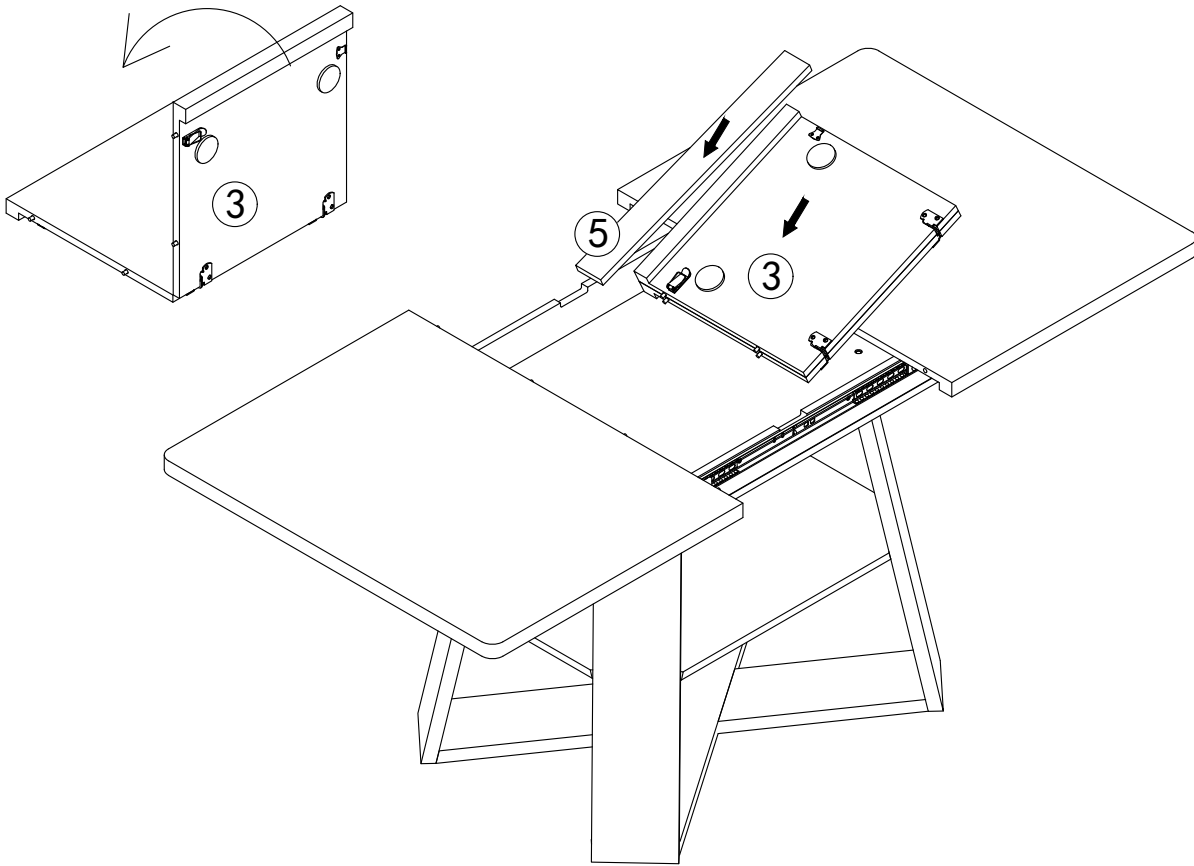


16.



# INSTALLATION

17.



18.

