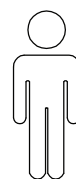
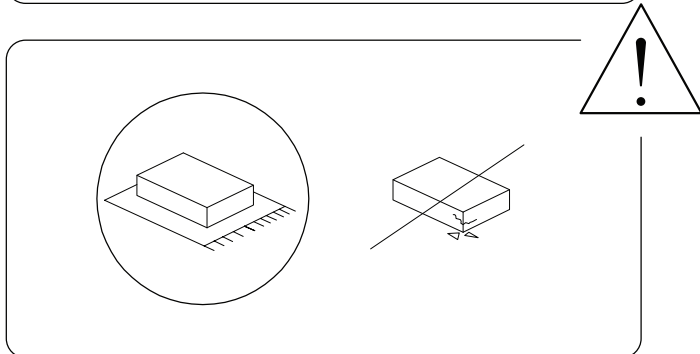
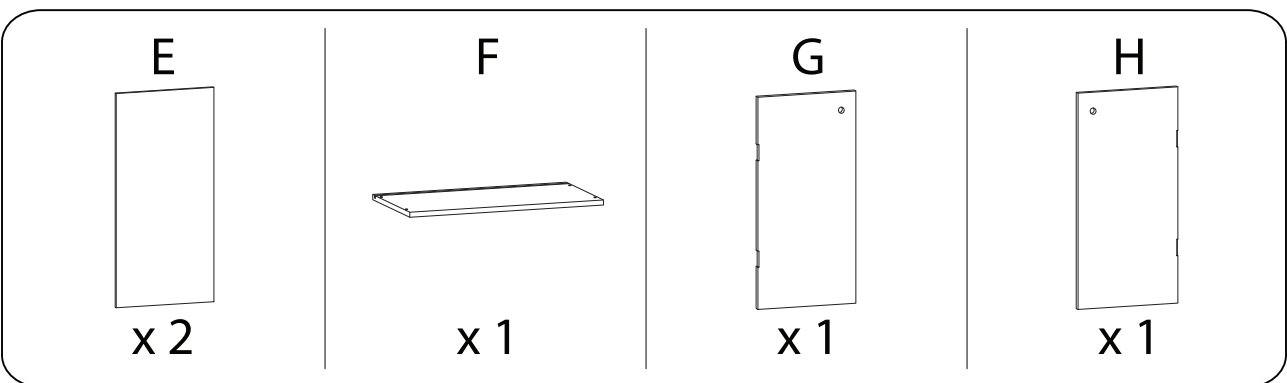
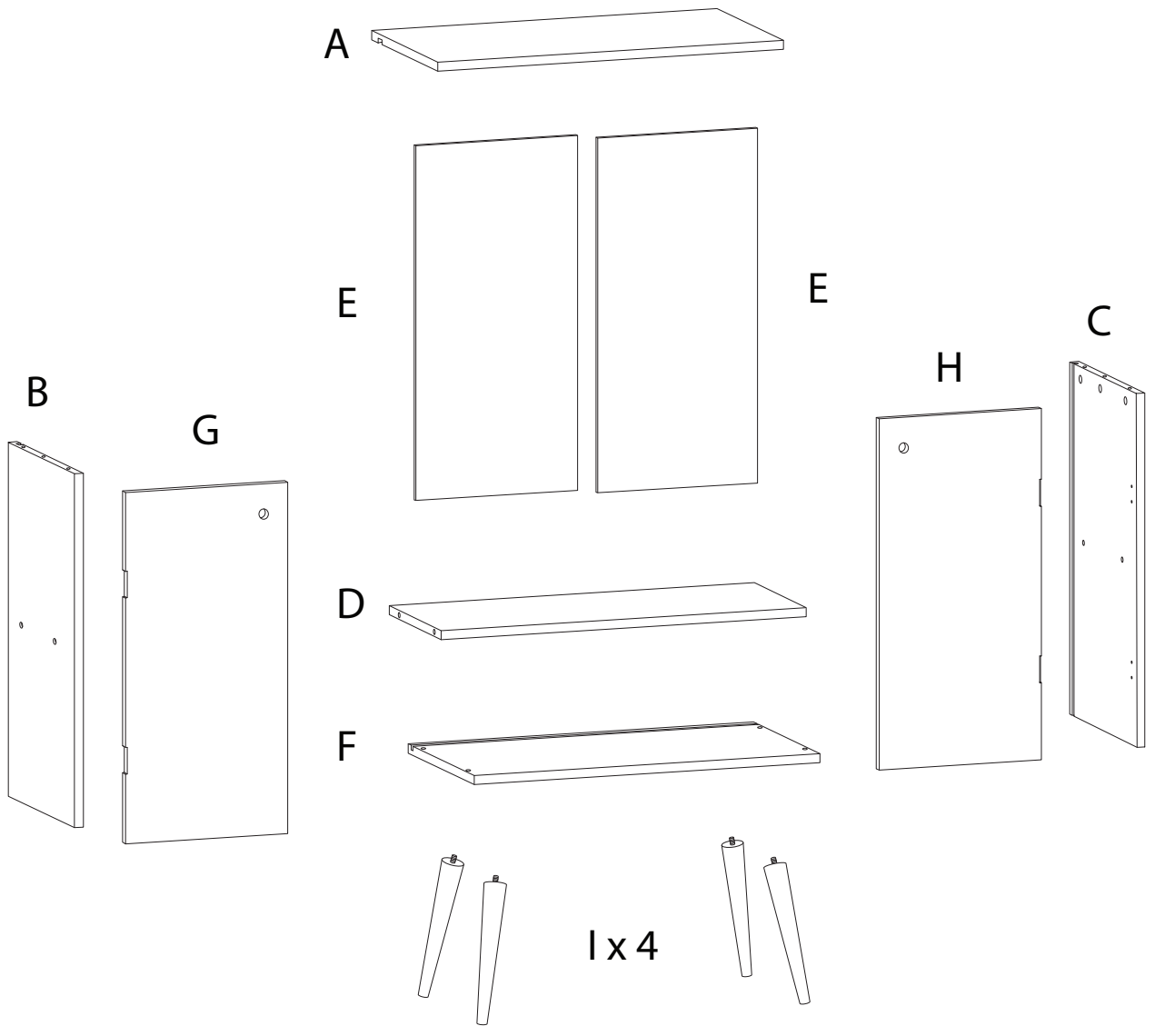
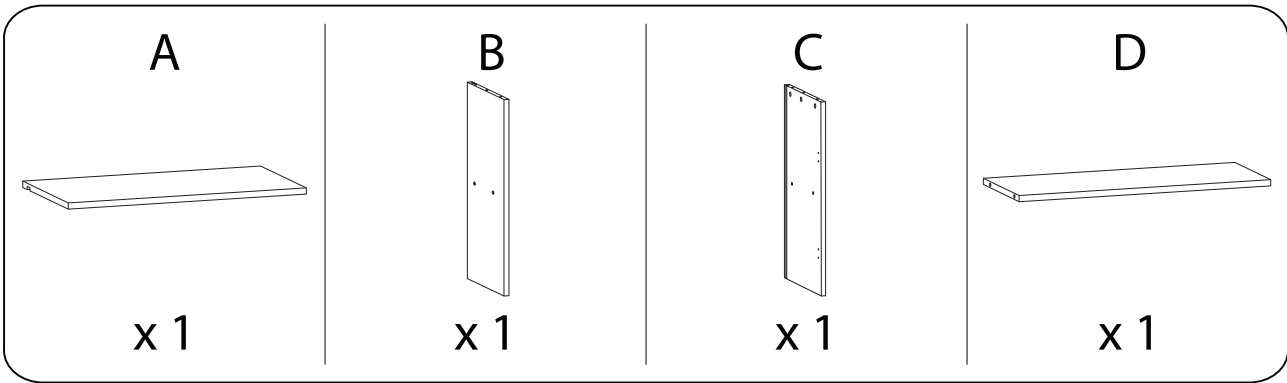


45'



1

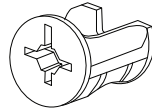


I



x 4

J



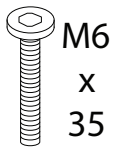
x 6

K



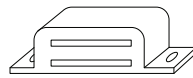
x 6

L



x 8

M



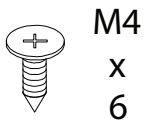
x 2

N1



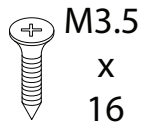
x 2

N2



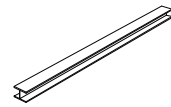
x 4

O



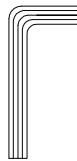
x 12

P



x 1

Q



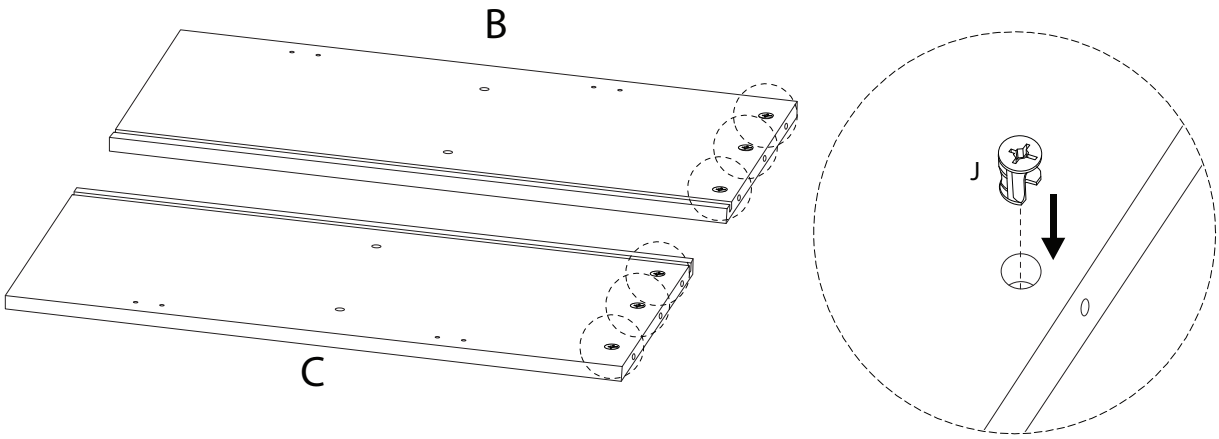
x 1

1

B  
x1

C  
x1

J  
x6

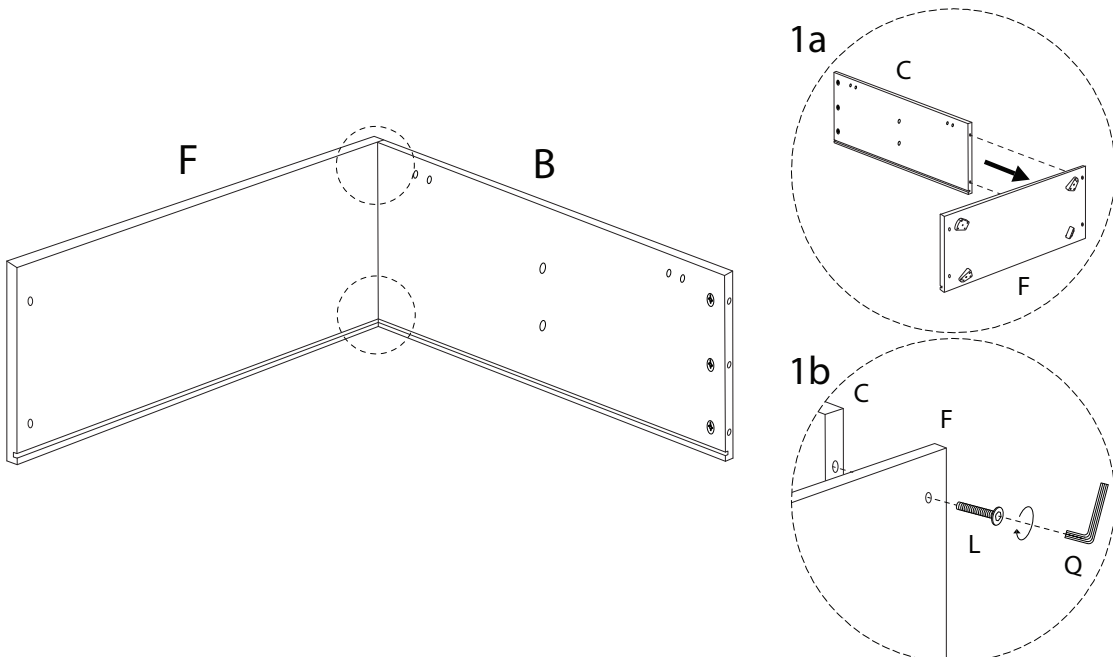


2

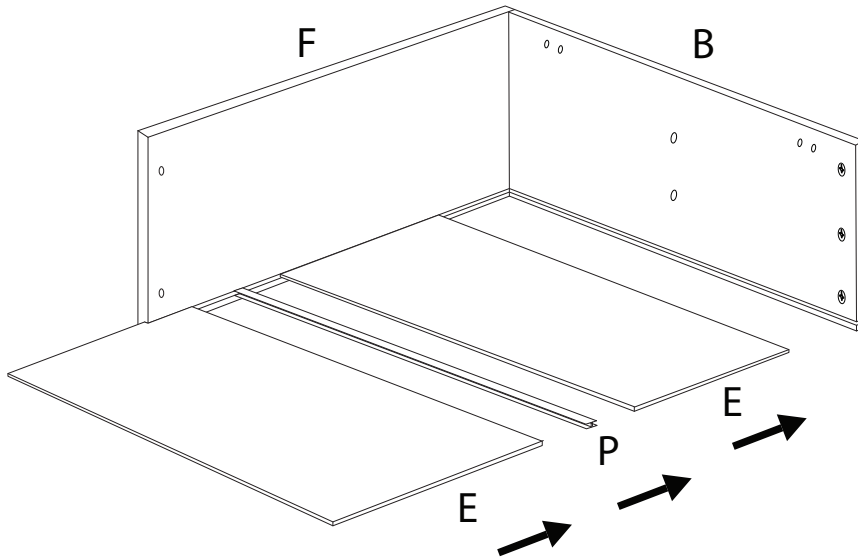
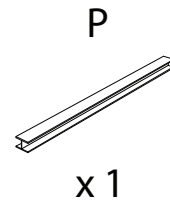
F  
x1

L  
M6  
x  
35  
x2

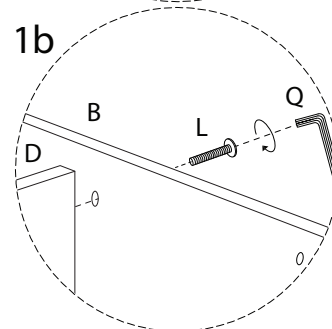
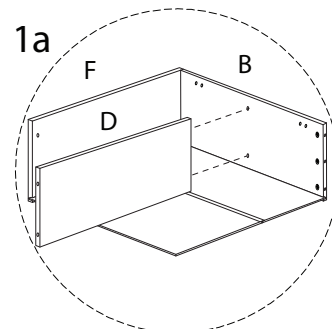
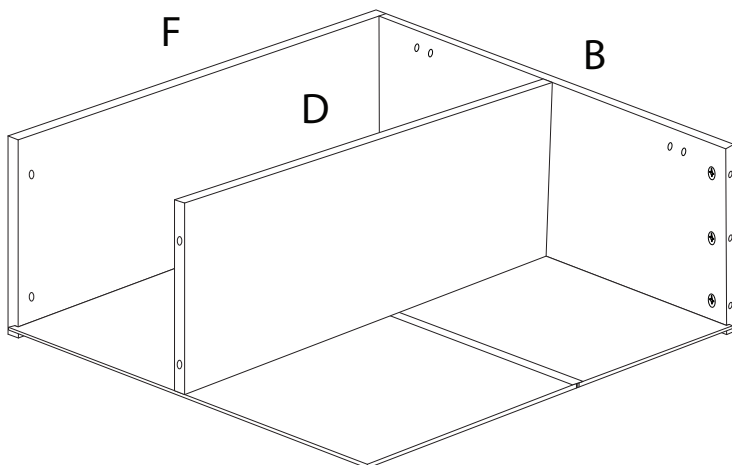
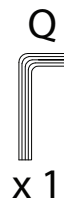
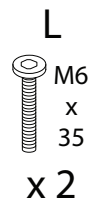
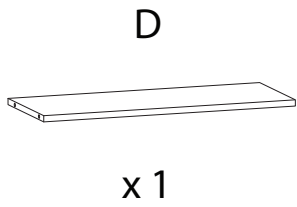
Q  
x1



3



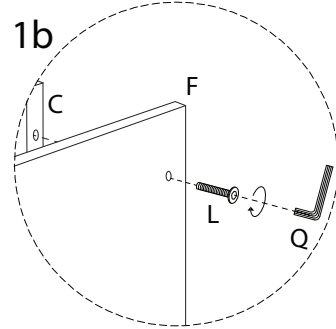
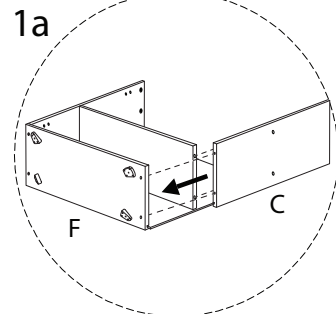
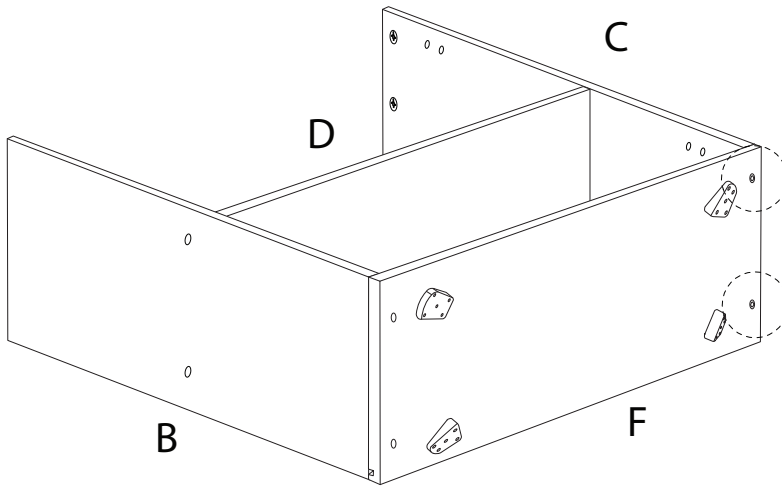
4



5

L  
M6  
x  
35  
x2

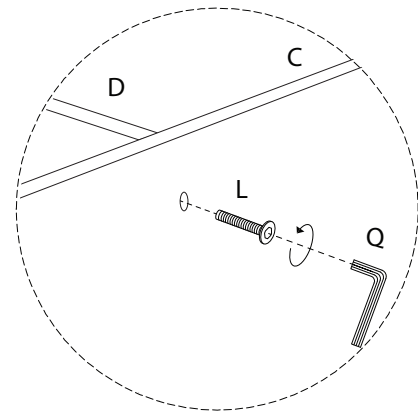
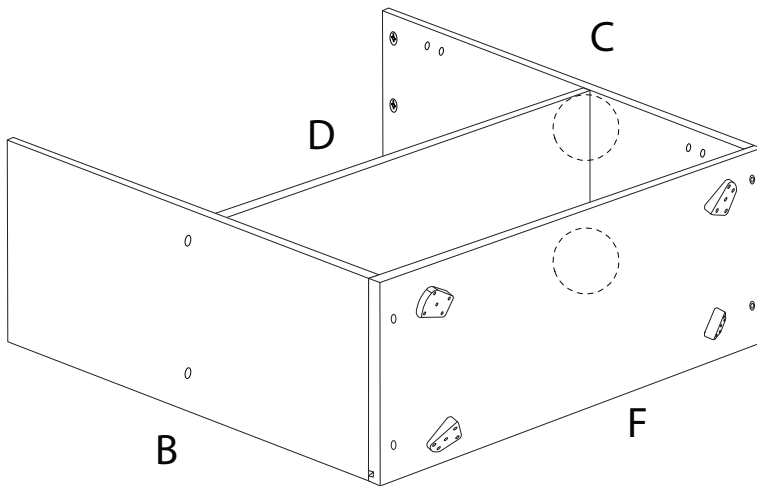
Q  
x1



6

L  
M6  
x  
35  
x2

Q  
x1



7

A

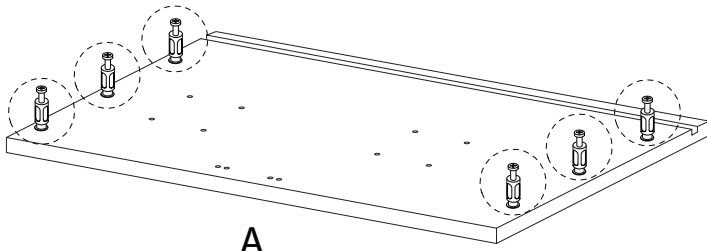


x 1

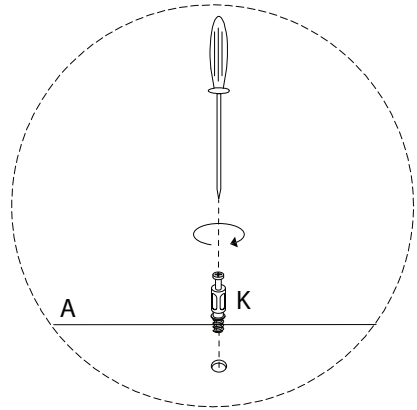
K



x 6

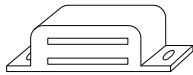


A



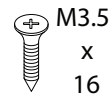
8

M

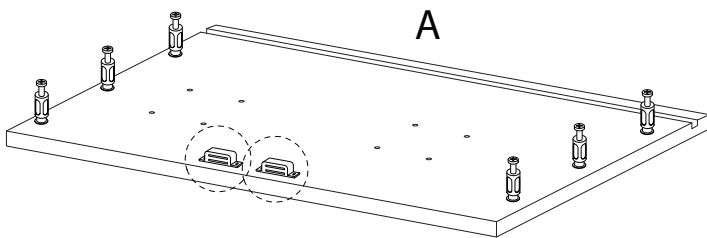


x 2

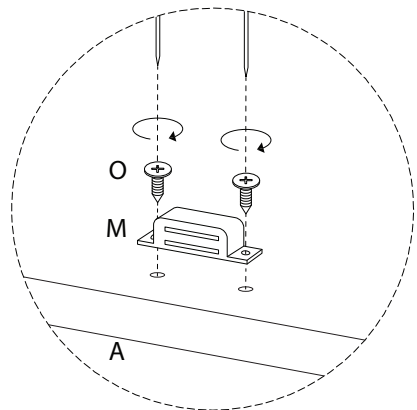
O



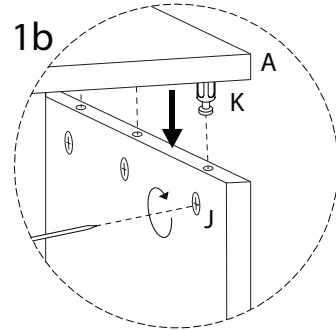
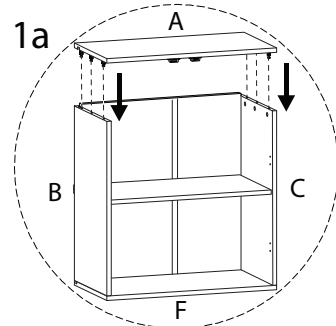
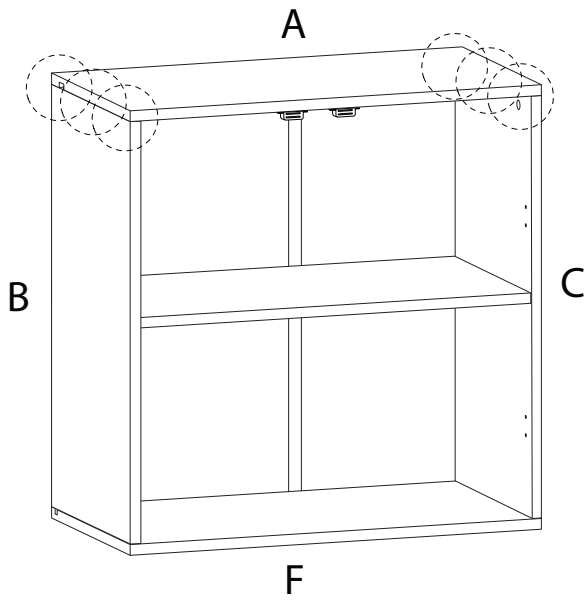
x 4



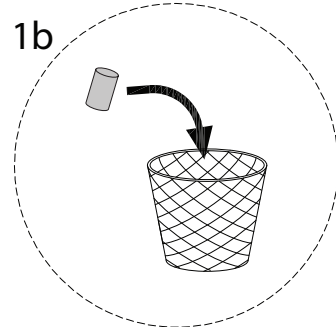
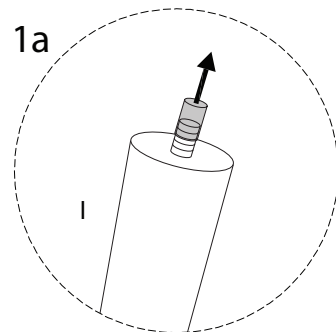
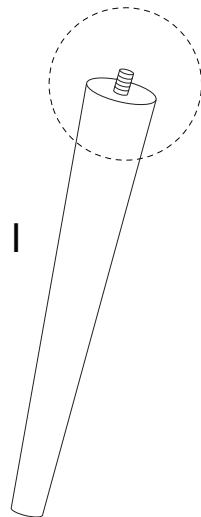
A



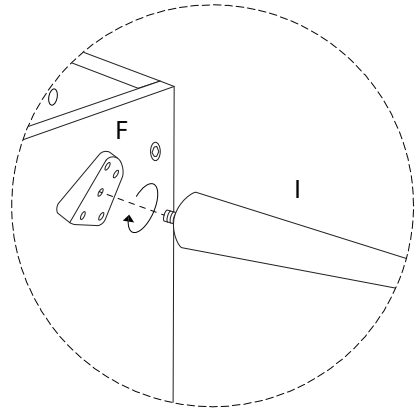
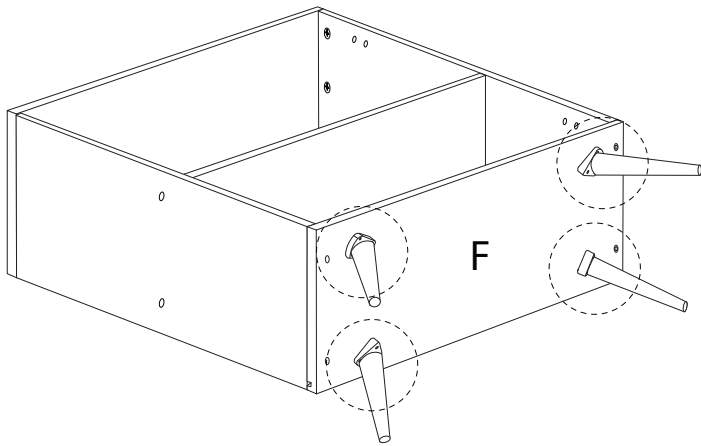
9



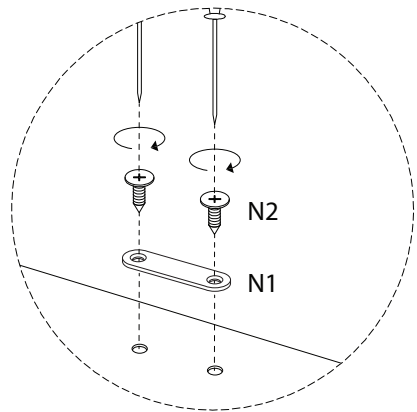
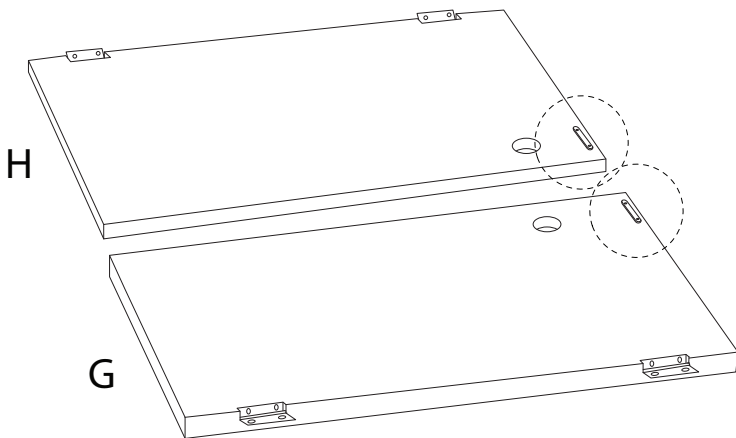
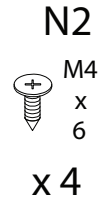
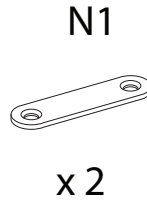
!



10

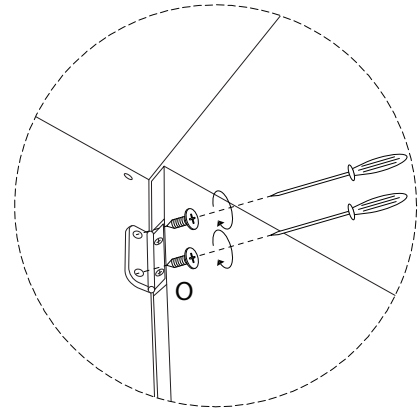
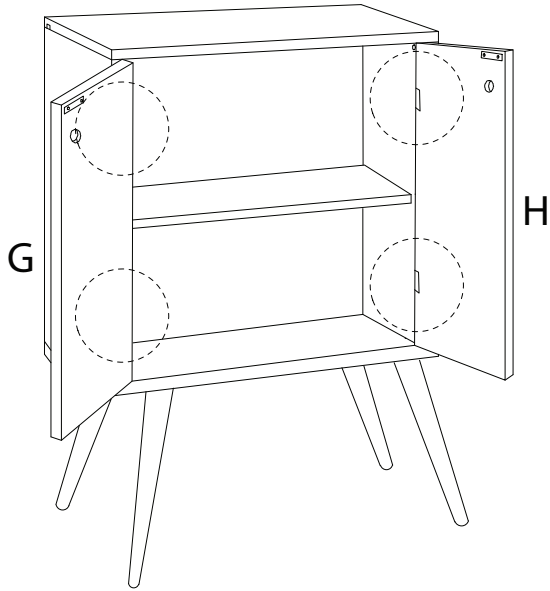


11

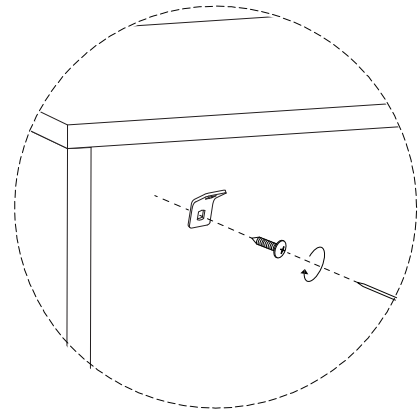
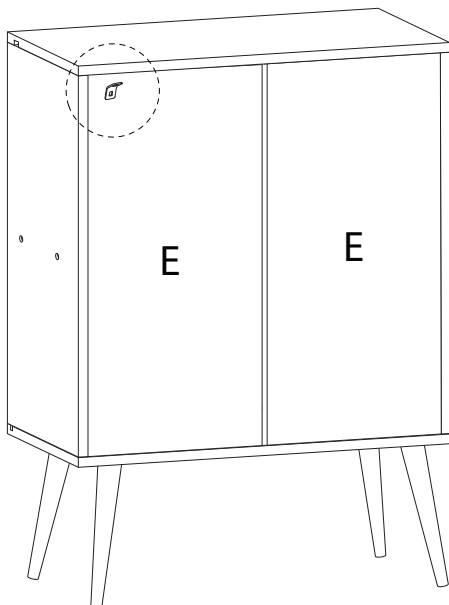


12

O  
M3.5  
x  
16  
x 8



!



!

