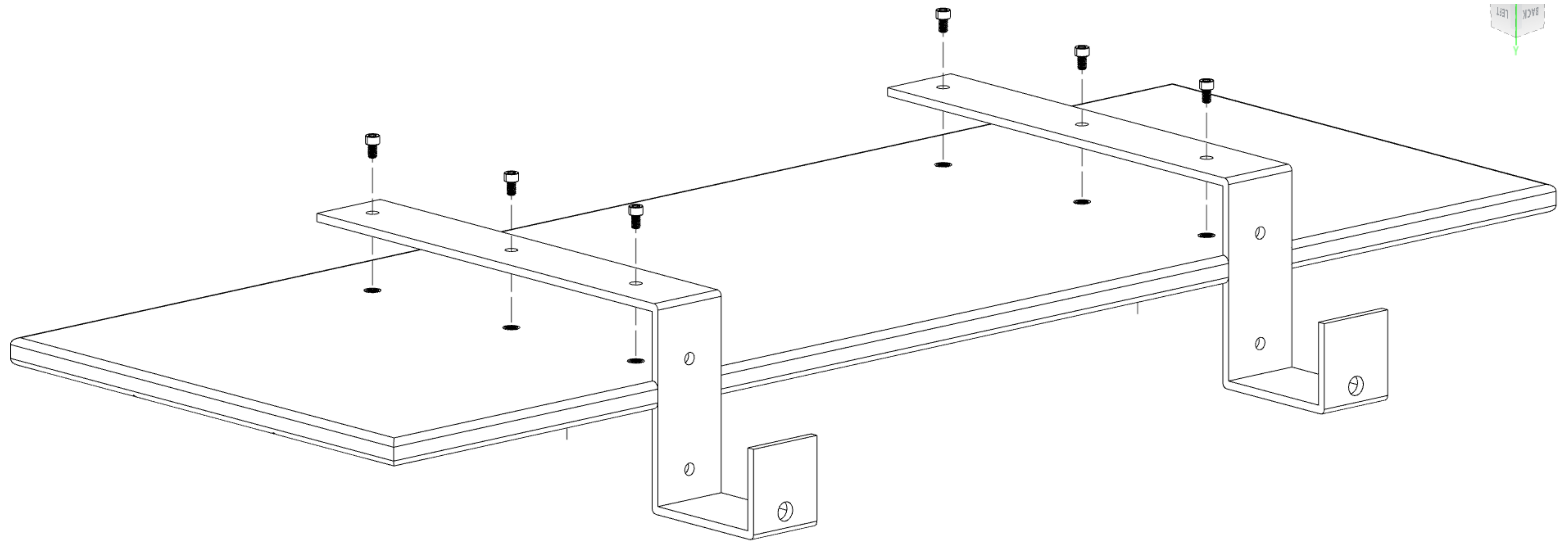


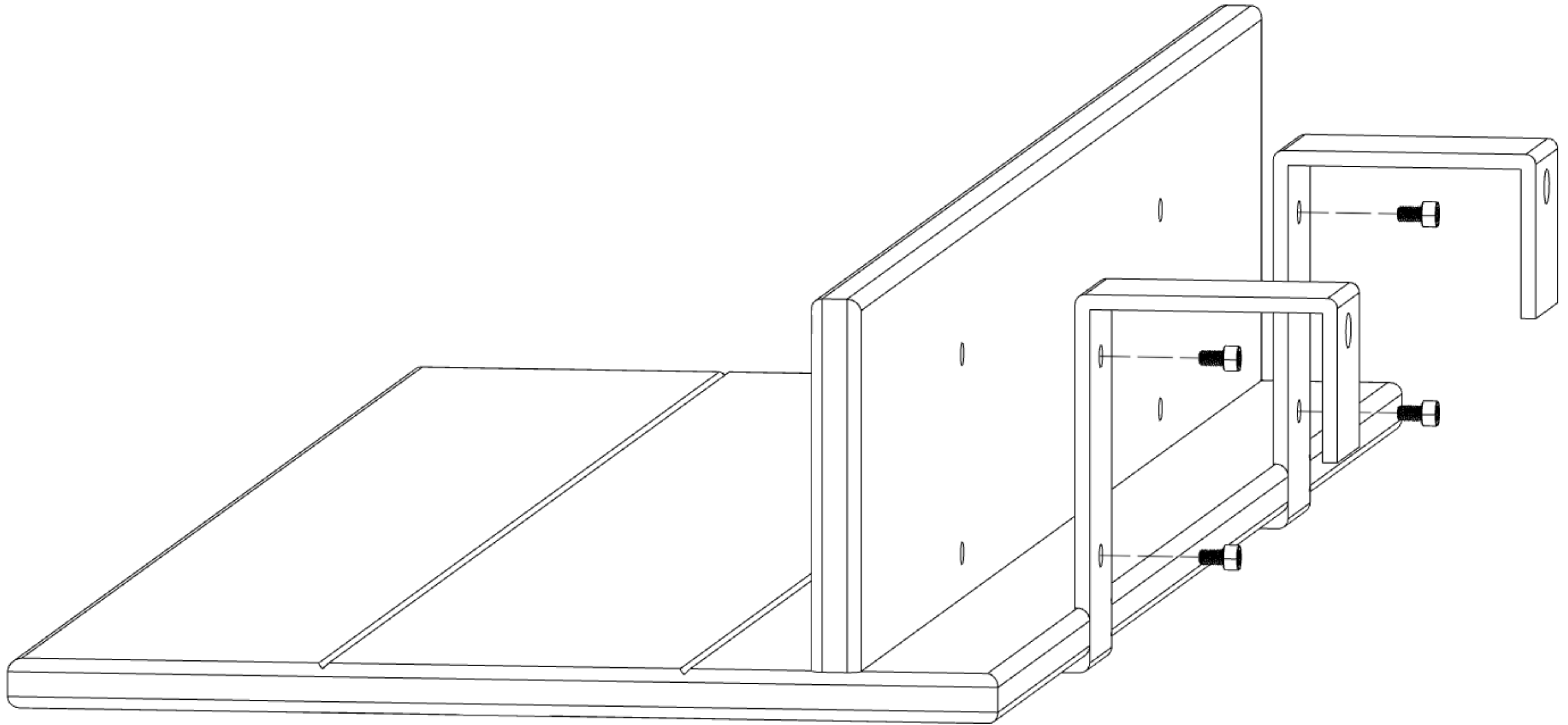
BALCONY DESK FITTING INSTRUCTION



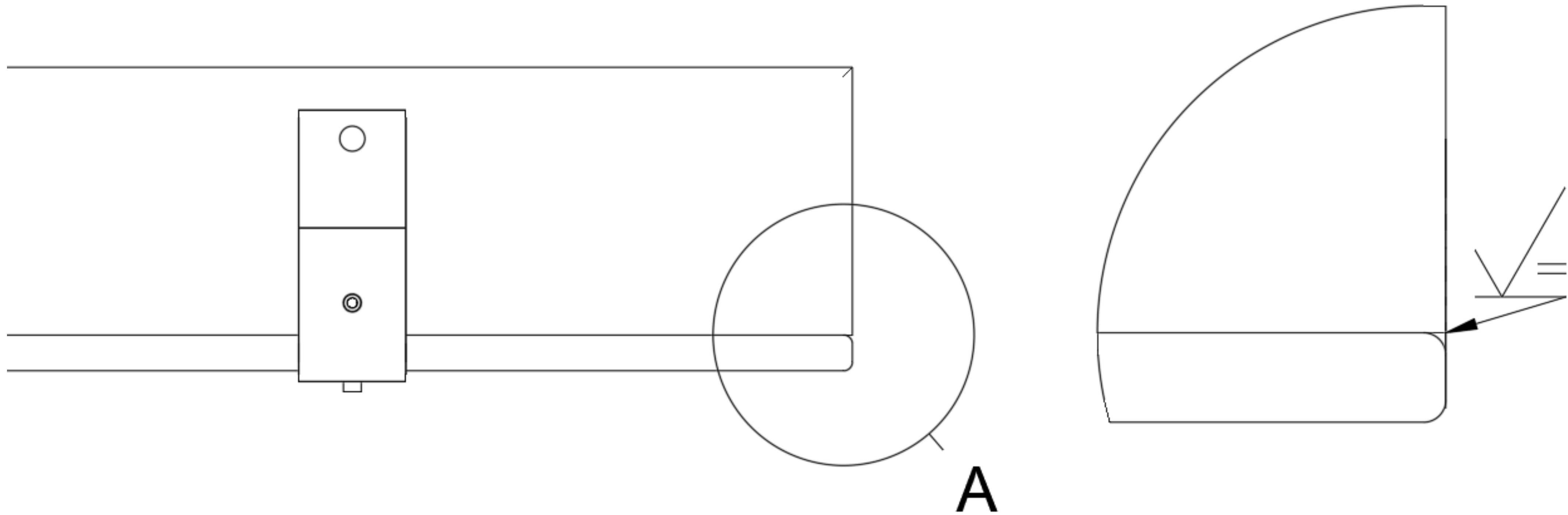
1. Brackets to Top - please don't tighten screws yet. If not fit try to exchange them. Use hex key which you will find inside your parcel, together with screws.



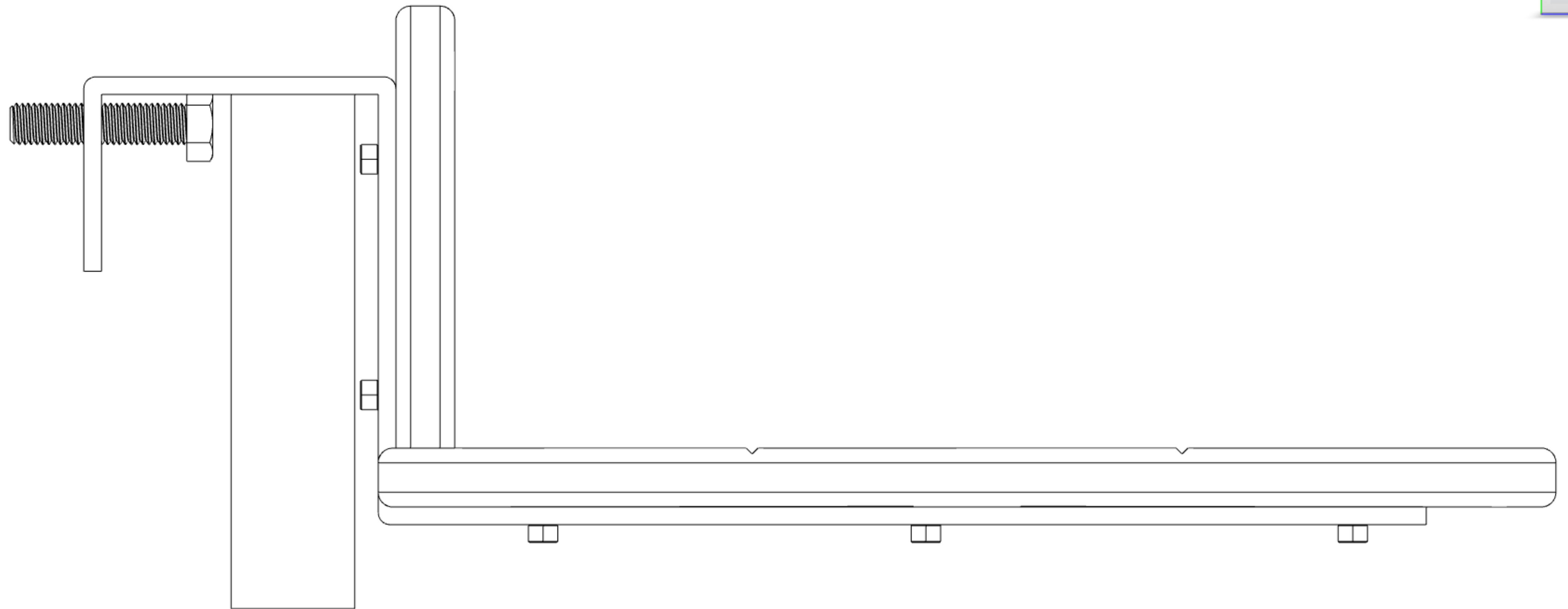
2. Back board fitting. Please also here do not tighten screws yet.



3. Flush back panel with top [A]. Now when all is flush in line tighten all screws.



4. Fasten brackets to the rail with 'big' screws and regulate accordingly.



LEFT