

ASSEMBLY INSTRUCTIONS



Description : 6 DRAWER DRESSER RTA

BEFORE ASSEMBLY

Thank you for purchasing this quality product. This product has been designed for easy assembly and constructed for durability. All parts were checked prior to packaging to insure quality. Prior to beginning assembly, however, make sure all parts and hardware are included and free of obvious defect. If a part is missing or defective, please contact the store where purchased.

IMPORTANT NOTE:

- Place all wooden parts on a clean and smooth surface such as a rug or carpet to avoid the parts from being scratched.
- Remove all wrapping material, including staples & packing straps before you start to assemble.
- DO NOT tighten all screws and bolts until completely assembled.
- Keep all hardware parts out of reach of children.

WARNING:

Long exposure to rubber or soft plastic may cause a chemical reaction and damage the finish of your product. Protect the surface of the product with cloth if you are using any product with rubber feet or base.

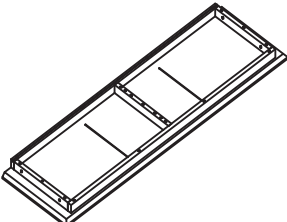
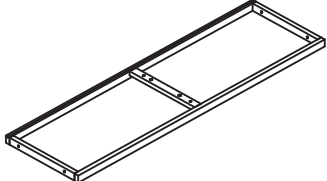
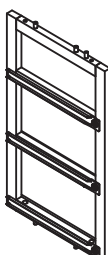

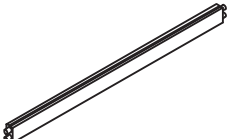
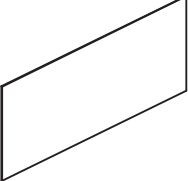
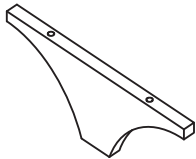
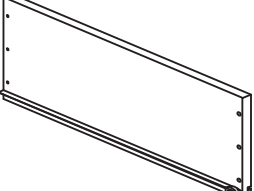
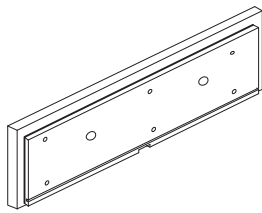
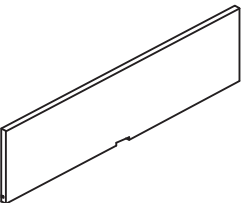
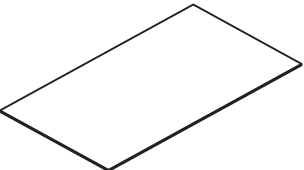
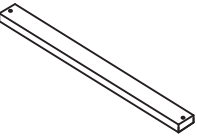
ASSEMBLY TOOLS REQUIRED

NOT INCLUDED



PART LIST




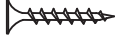

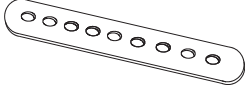
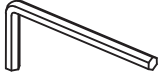



When unpacking, please be careful not to discard any parts with the packaging. Before continuing, please make sure you have the following parts:

NO	Description	Qty	Sketch	NO	Description	Qty	Sketch
A	Top	1		B	Bottom panel	1	
C	Vertical panel	1		D	Side panel (L-R)	2	
E	Back rail	1		F	Back panel	2	
G	Support leg	1		H	Drawer side (L&R)	12	
I	Drawer front	6		J	Drawer back	6	
K	Drawer bottom	6		M	Support bar	6	

Printed in Vietnam

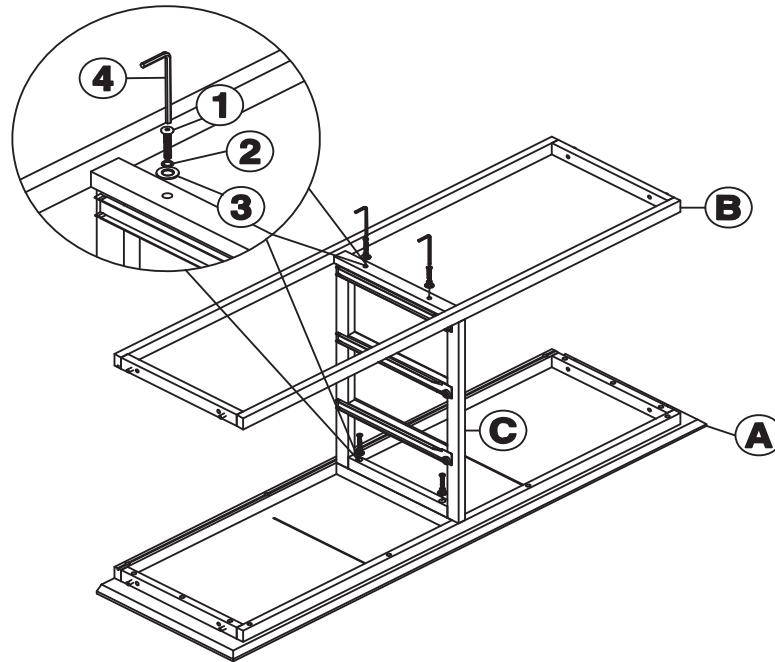
HARDWARE LIST

When unpacking, please be careful not to discard any parts with the packaging. Before continuing, please make sure you have all of the following hardware:

NO	Description	Qty	Sketch	NO	Description	Qty	Sketch
1	Bolt (M6x30mm)	14		7	Knob	12	
2	Spring washer (Φ6.5x11mm)	14		8	Screw (M4x30mm)	12	
3	Flat Washer (Φ6.5x13mm)	14		9	Steel band	1	
4	Allen key (M4x80mm)	1		10	Warning label	6	<p style="text-align: center;">WARNING!</p> <p style="text-align: center;">THIS ITEM IS PRONE TO TIPPING.</p> <p>USE ANTI-TIPPING HARDWARE (PROVIDED) TO SECURE TO THE WALL. DO NOT ALLOW CHILDREN TO CLIMB ON FURNITURE. PLACE HEAVIEST OBJECTS IN LOWER DRAWERS. DO NOT OPEN MORE THAN ONE DRAWER AT THE SAME TIME. DO NOT PLACE TV ON THE TOP OF THE DRESSER OR DRAWER CHEST.</p>
5	Screw (M4 x 35mm)	76		11	Screw (M3X15mm)	2	
6	Pan head screw (M4 x 30mm)	12					

STEP 1

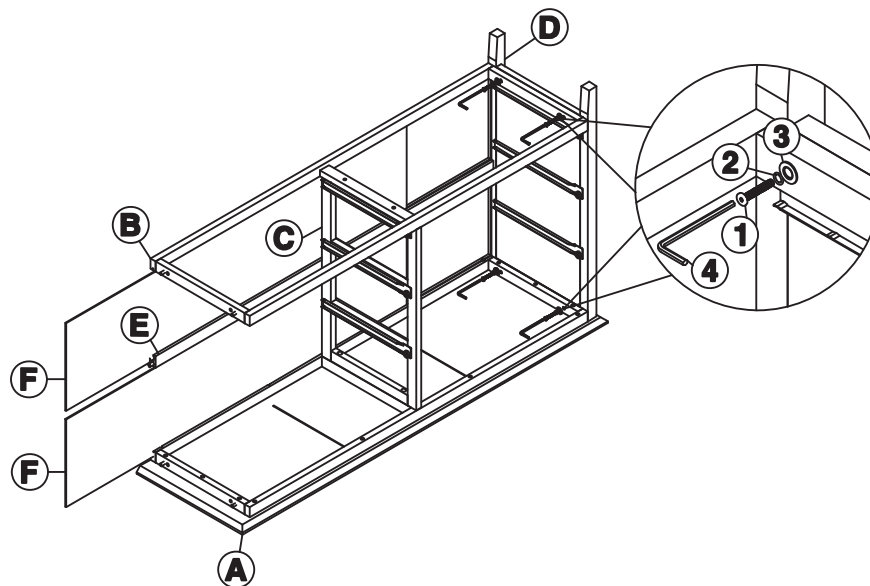
Attach the top (A), and bottom panel (B) to vertical panel (C) with bolts (1) and washers (2) and (3). Tighten with Allen key (4).



STEP 2

Attach the top (A), and bottom panel (B) to a side panel (D) with bolts (1) and washers (2) and (3). Tighten with Allen key (4).

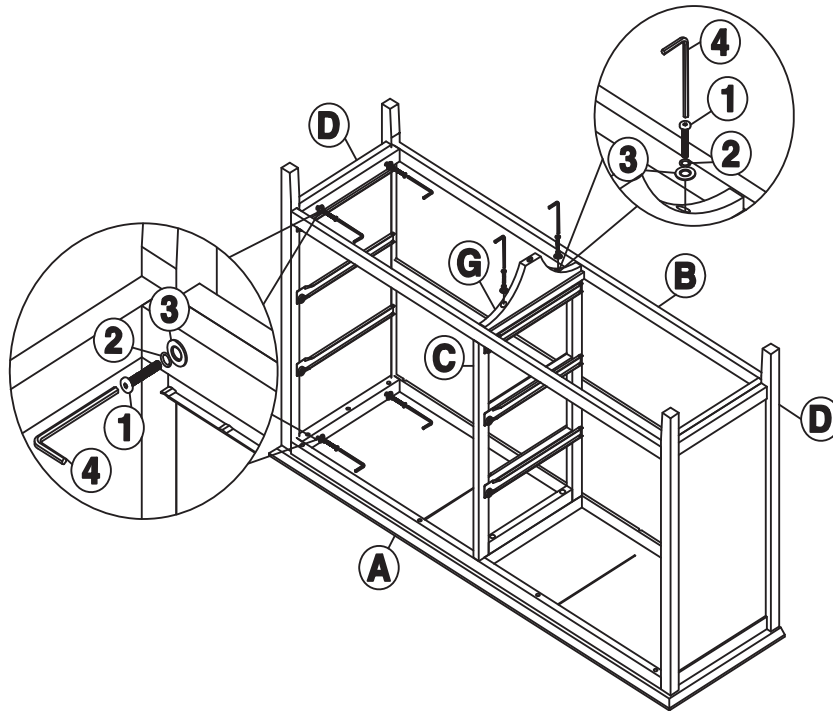
Slide back panel (F), and back rail (E) into the groove as shown below.



STEP 3

Attach the top (A), and bottom panel (B) to the other side panel (D) with bolts (1) and washers (2) and (3). Tighten with Allen key (4).

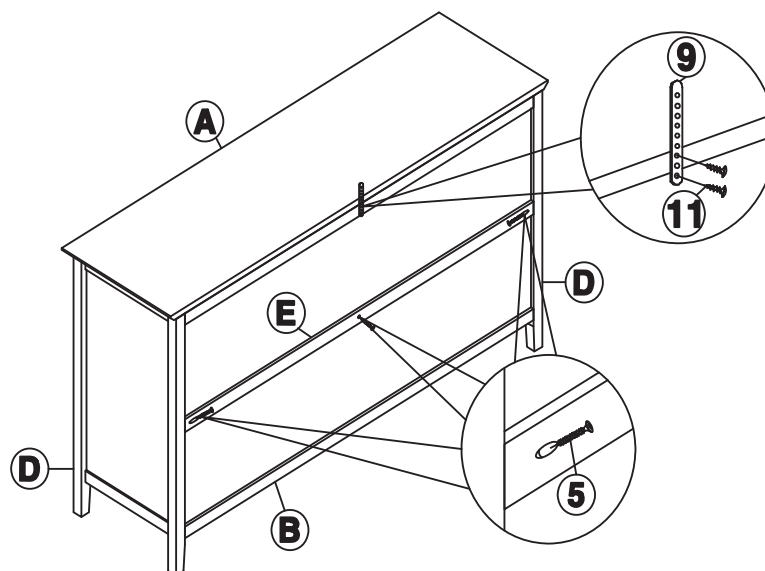
Attach support leg (G) to vertical panel (C) with bolts (1) and washers (2) and (3). Tighten with Allen key (4).



STEP 4

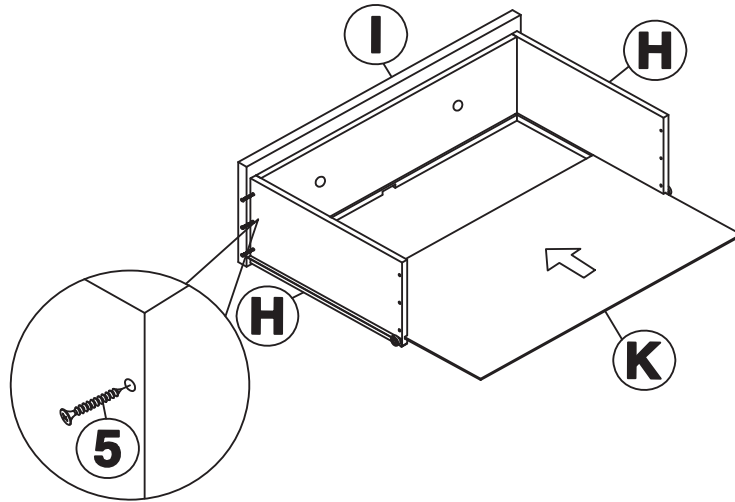
Attach back rail (E) to side panels (D) with screws (5). Tighten with a screwdriver.

Attach the steel band (9) to Chest with screws (11).



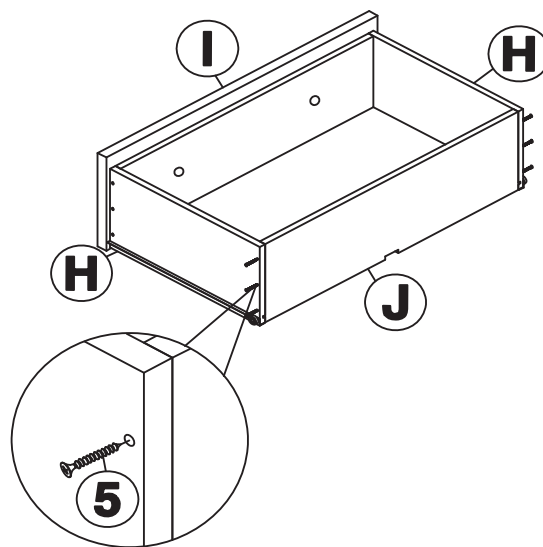
STEP 5

Attach drawer sides (H) to drawer front (I) with screws (5) as shown below. Tighten with a screwdriver. Insert drawer bottom (K) into the grooves at bottom of drawer sides (H), drawer front (I) as shown below.



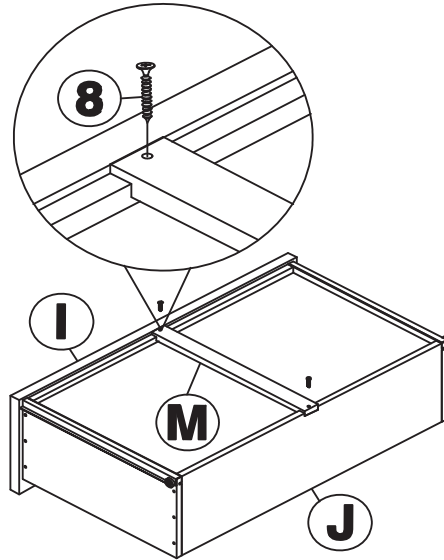
STEP 6

Attach drawer back (J) to drawer sides (H) with screws (5) as shown below. Tighten with a screwdriver.



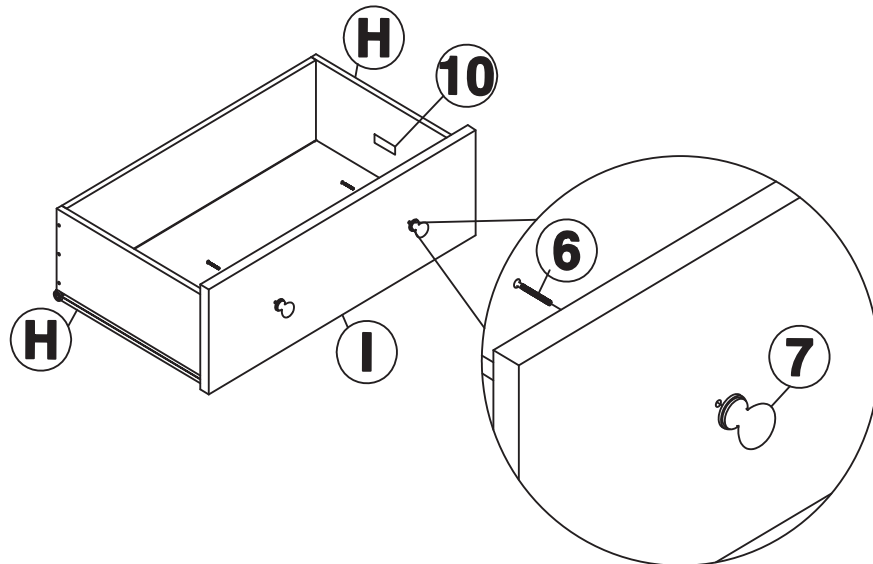
STEP 7

Attach support bars (M) to bottom of drawers with screws (8) as shown below. Tighten with the screwdriver.



STEP 8

Attach knobs (7) to front of drawers with screws (6). Tighten with the screwdriver.
Stick the warning labels (10) inside the drawers before use.



STEP 9

Attach steel band (9) to the wall with screw (5) as shown below (to secure the product and prevent tipping).

