

# ASSEMBLY INSTRUCTIONS



## CAUTION

◆ Inspect the wire insulation for any cuts, abrasions, or exposed copper that may have resulted during shipping. If there is a defect in the wire, do not attempt installation.

◆ Before starting installation of this fixture or removal of a previous fixture, disconnect the power by turning off the circuit breaker or by removing the fuse at the fuse box.

✉ If you need further assistance, please contact us by Email: [customersupport@superiordecorinc.com](mailto:customersupport@superiordecorinc.com)

## TOOLS REQUIRED



Ladder



Safety glasses



Electrical tape



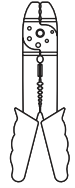
Phillips screwdriver



Flat blade screwdriver

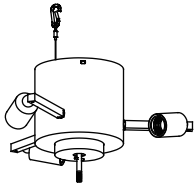


Pliers

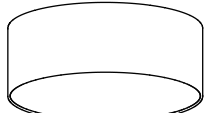


Wire strippers

## HARDWARE INCLUDED



Fixture



Fabric Shade



Fan Blade



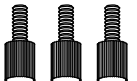
Fan Nut Cover



Mounting Unit



Fixture Screws



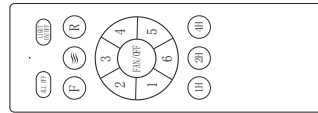
Ball Nuts



Mounting Screws



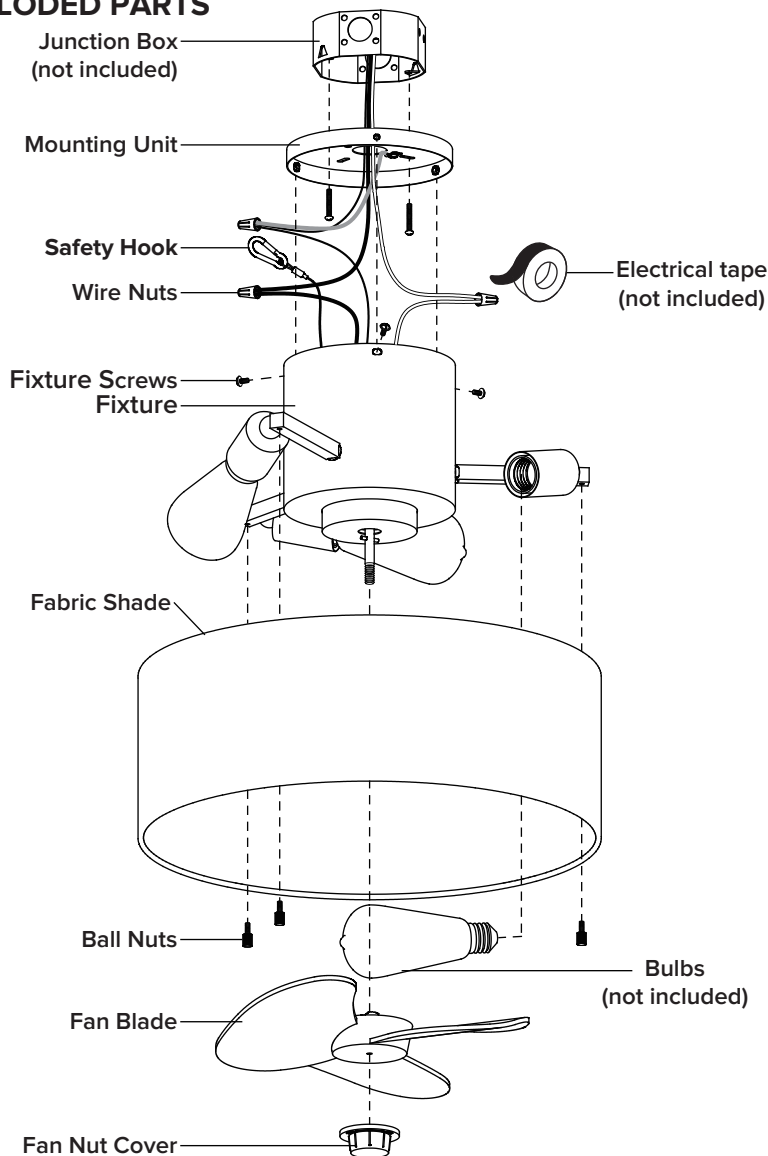
Wire Nuts



Remote control

\* PARTS SHOWN MAY DIFFER SLIGHTLY PER LIGHT FIXTURE

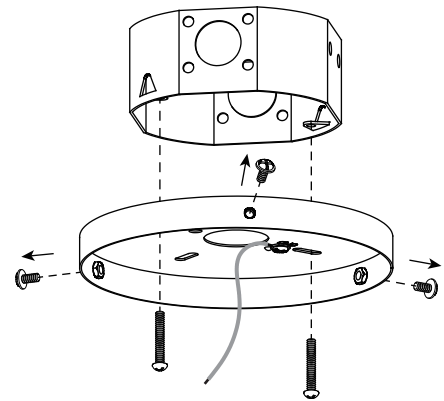
## EXPLODED PARTS



## INSTALLATION

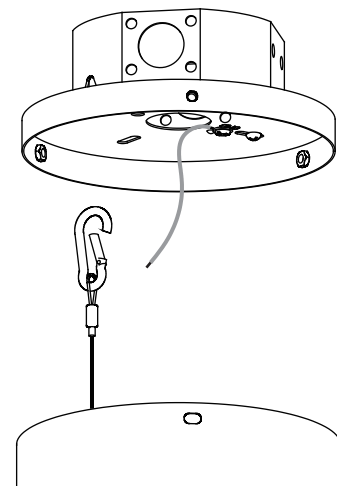
### STEP 1

Unscrew the fixture screws from the **mounting unit**. Use the **mounting screws** to attach the **mounting unit** to the **junction box (not included)**.



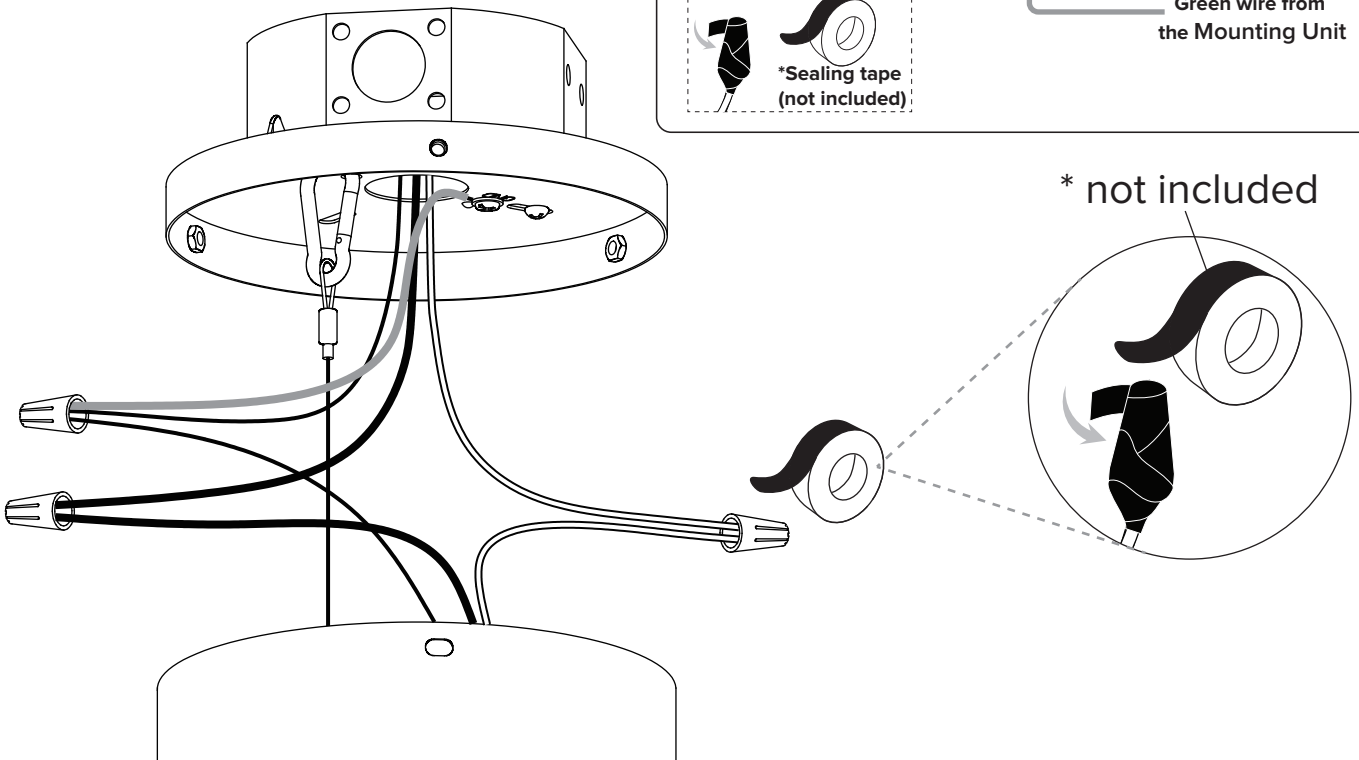
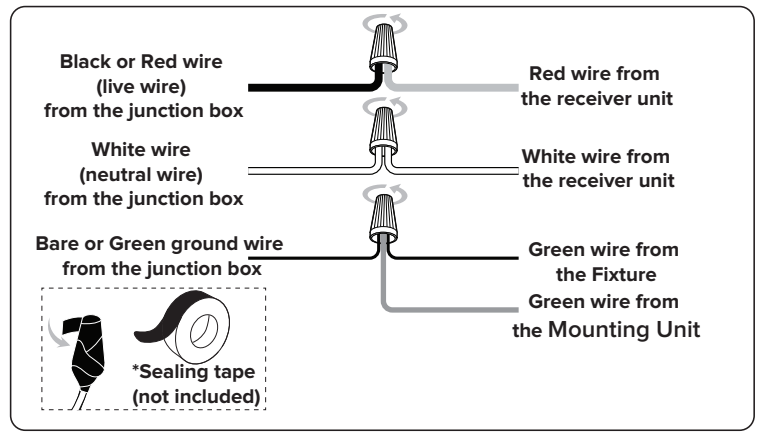
### STEP 2

Attach the **safety hook** on to the **mounting unit**.



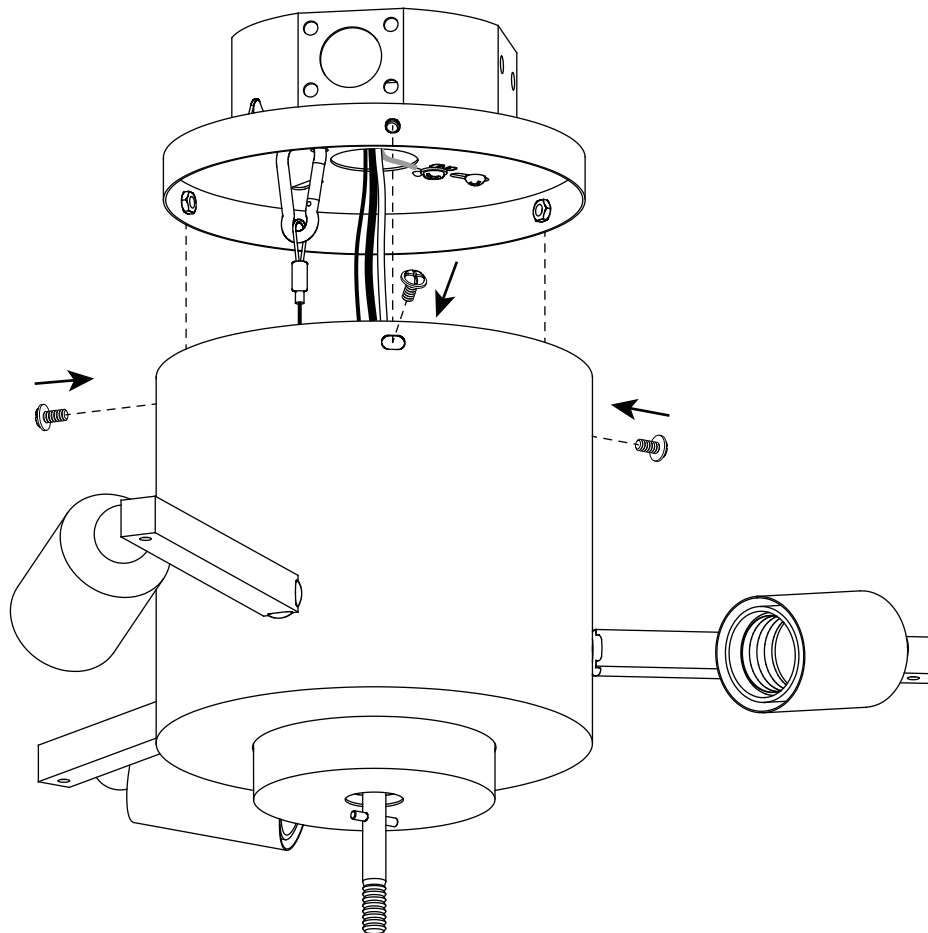
### STEP 3

Make the electrical connection from the **junction box (not included)** to the **fixture**. Connect red wire from receiver unit marked "AC IN L" to black supply wire using **wire nuts**. Connect white wire from receiver unit marked "AC IN N" to white supply wire using **wire nuts**. Connect Green wire from the **fixture** and **mounting unit** to Green ground wire using **wire nuts**.



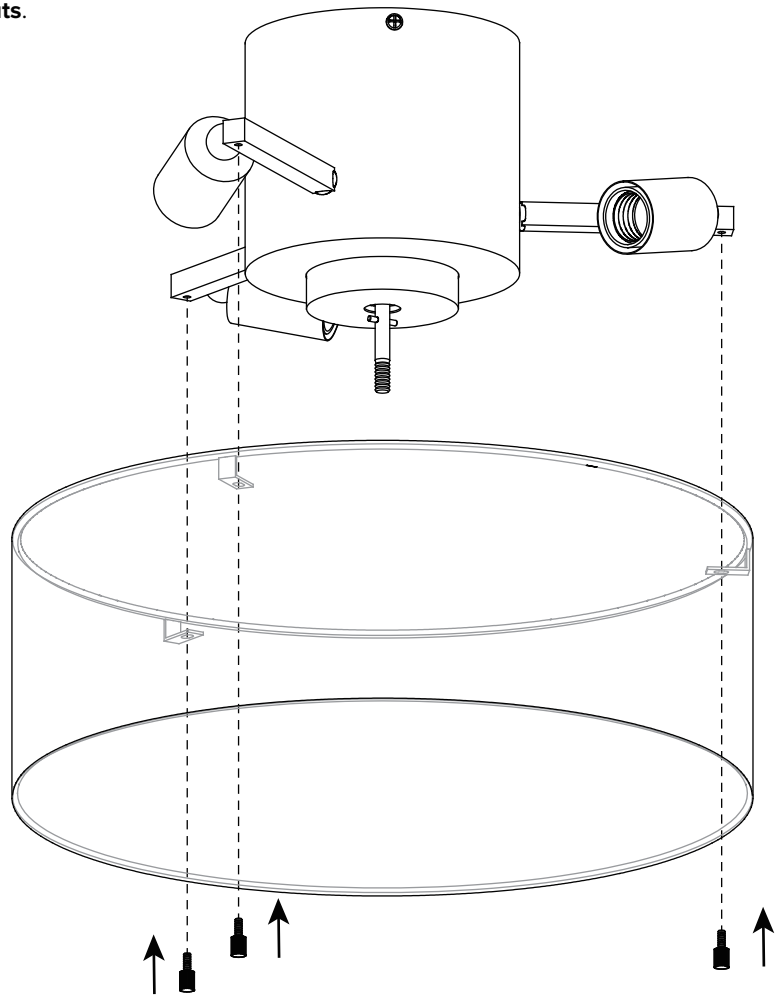
### STEP 4

Secure the **fixture** to the **mounting unit** with the **mounting screws**.



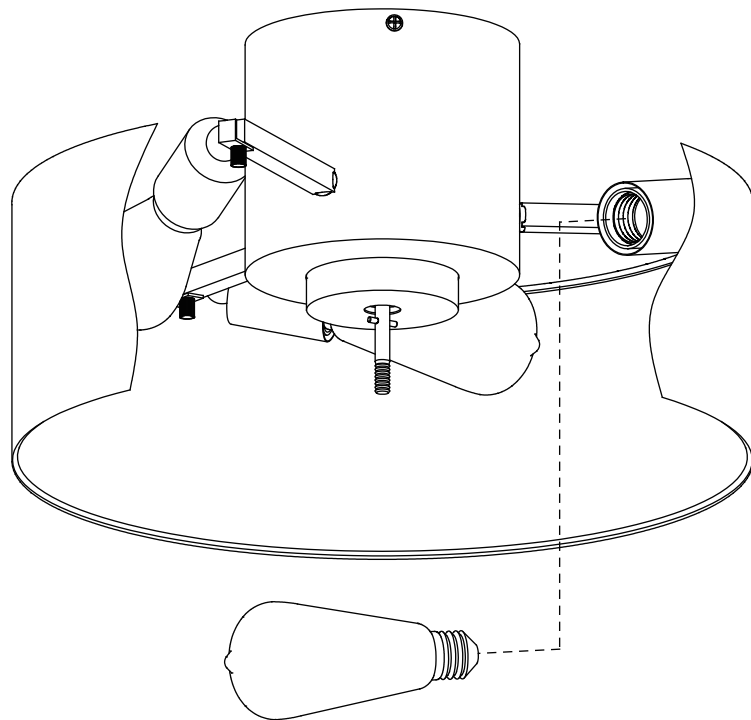
## STEP 5

Secure the fabric shade to fixture unit with the ball nuts.



## STEP 6

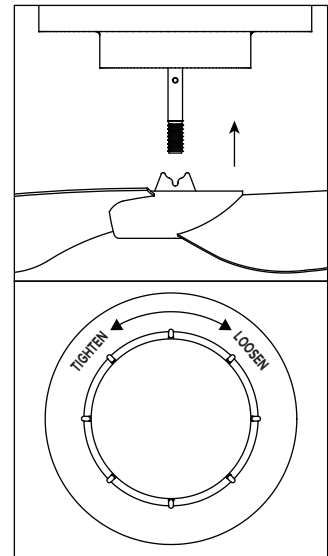
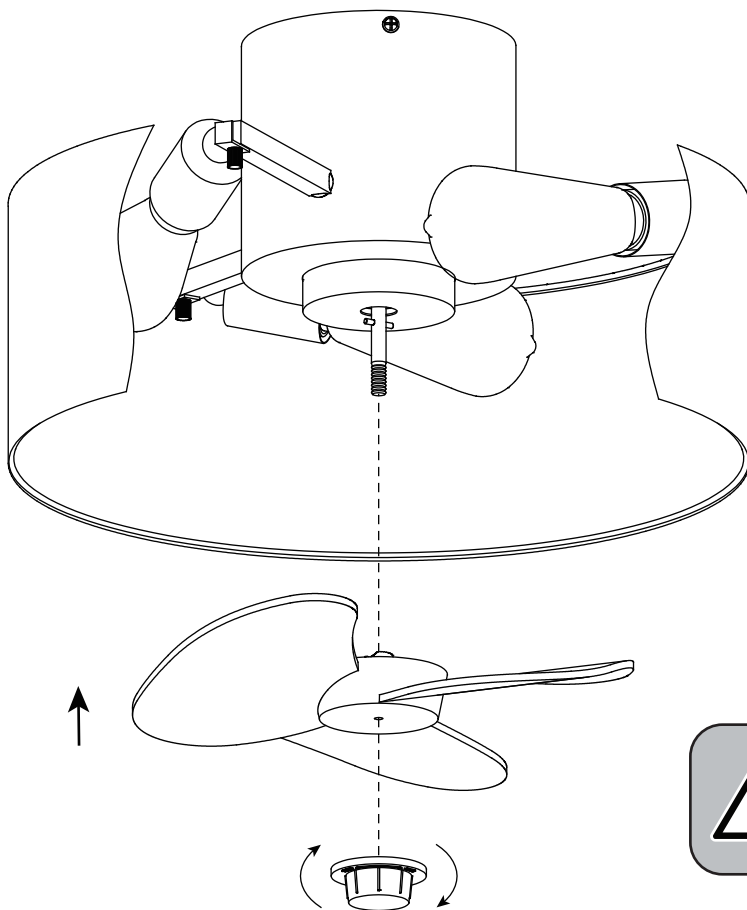
Install bulbs (not included).



BULB BASE TYPE  
Medium (E26)

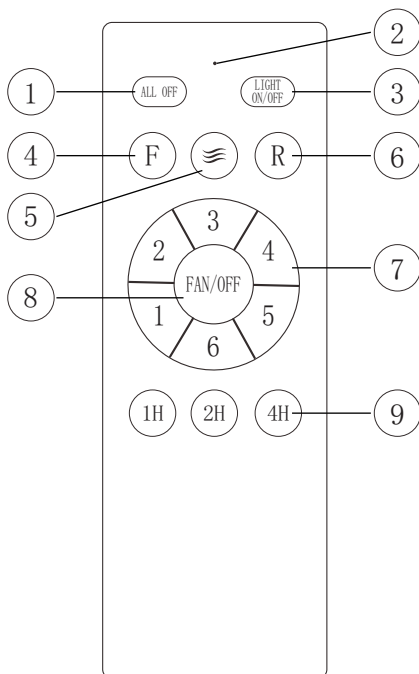
## STEP 7

Secure the fan blade to fixture unit with the fan nut cover.



1. ceiling fan installation, the screws in all parts must be firmly locked.
2. When the ceiling fan rotates, no object should touch the blade to avoid danger.

## Remote control



## FUNCTIONINTRO DUCATION

- ① Turn off all fans and lights
- ② Indicated Light
- ③ Lamp Switch
- ④ Fan forward button
- ⑤ Natural Wind
- ⑥ Fan reversal button
- ⑦ 1-6 Winds Speeds
- ⑧ Fan Off
- ⑨ Timing setting: 1 hour/2 hours/4 hours

## KINDLYREMINDERS

The Remote Control And Receiver Have Been Coded, when The Emitter Cannot Control The Receiver, Please Check The Battery Switch Touching Normally Or Not, Correction Of The Positive And Negative, Full Or Empty Of The Power. If Not, Please Matching The Code Again.

### CODE MATCHING PROCESS

After powering on the controller, press and hold the FAN/OFF button for more than 3 seconds, and hear the buzzer sound 3 times, indicating successful code matching. After powering on the controller, press and hold the 2H button for more than 3 seconds. If you hear the buzzer beep once, it means the code has been cleared. The receiving distance of the controller is with in 10 meters, and the receiving antenna can be external under special environmental conditions to increase the receiving distance.

\*Please Insert 2 batteries before using: AAA 1.5V battery x 2pcs (not included).

\*If the fan has a wall switch, it can be effectively controlled only when it is powered on

1. Fan doesn't work
  - Make sure the fixture is connected to an ON/OFF wall switch, not dimmer switch.
  - Check the remote control battery (not included in this package).
  - Check the circuit breaker to ensure the power is on.
2. Lights Do Not Light Up /Flicker
  - Check your power and switch to make sure it's power on.
  - press for 3 seconds , Select the luminance.
3. Noisy Operation
  - Re-tighten all screws on bracket.
  - Check to see if any of the blades are cracked. If so, replace the blades.
4. Remote does not work
  - Make sure the battery is installed correctly.

