

ASSEMBLY INSTRUCTIONS



Fine Furniture for every stage of life

Twin Bed

REVISION 0 : 07/21/2023
REVISION 1 : 12/27/2023
REVISION 2 : 03/19/2025

PAGE 1 OF 6

ASSEMBLY INSTRUCTIONS

ASSEMBLY TIPS:

1. Remove hardware from box and sort by size.
2. Please check to see that all hardware and parts are present prior to start of assembly.
3. Please follow attached instructions in the same sequence as numbered to assure fast & easy assembly.



WARNING!

1. Don't attempt to repair or modify parts that are broken or defective. Please contact the store immediately.
2. This product is for home use only and not intended for commercial establishments.



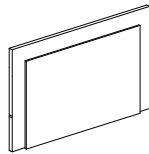
ASSEMBLY TIME

30 MINUTES

PARTS IDENTIFICATION

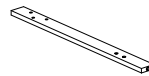
B1 (BOX 1)

A HEADBOARD PANEL



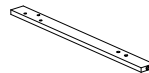
1PC

B LEFT HEADBOARD LEG (WITH "L" LABEL)



1PC

C RIGHT HEADBOARD LEG (WITH "R" LABEL)



1PC

D FOOTBOARD PANEL



1PC

E METAL LEG



2PCS

F BED SLAT



4PCS

H WOOD CLEAT



2PCS

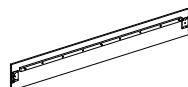
J ADAPTER PLUG



1PC

B2 (BOX 2)

I BED RAIL



2PCS

ASSEMBLY INSTRUCTIONS

ASSEMBLY TIPS:

1. Remove hardware from box and sort by size.
2. Please check to see that all hardware and parts are present prior to start of assembly.
3. Please follow attached instructions in the same sequence as numbered to assure fast & easy assembly.

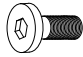

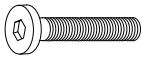

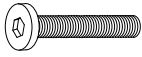







WARNING!

1. Don't attempt to repair or modify parts that are broken or defective. Please contact the store immediately.
2. This product is for home use only and not intended for commercial establishments.

HARDWARE IDENTIFICATION

BOX 1 - HARDWARE

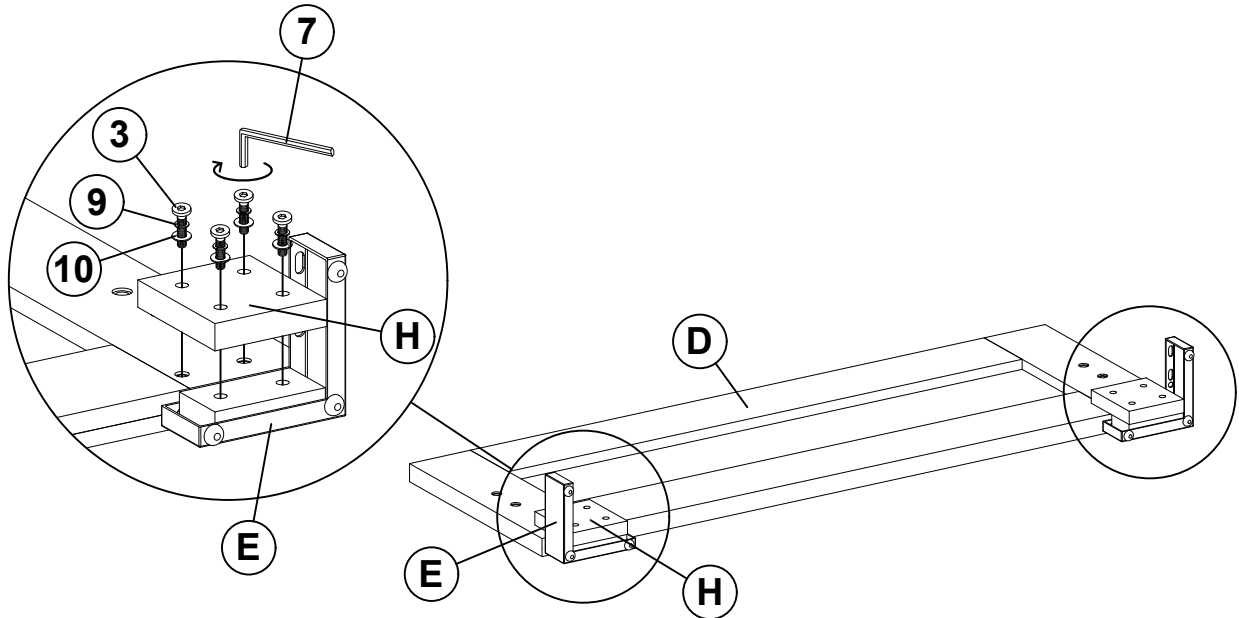
1	BOLT 1 (M8 x 16MM - RBW)		8PCS	6	FLAT HEAD SCREW (M4 x 32MM - RBW)		8PCS
2	BOLT 2 (M8 x 35MM - RBW)		6PCS	7	SMALL ALLEN WRENCH (M4 x 65MM - BLK)		1PC
3	BOLT 3 (M6 x 35MM - RBW)		8PCS	8	BIG ALLEN WRENCH (M5 x 65MM - BLK)		1PC
4	BIG LOCK WASHER (5/16" x 14Ø - RBW)		6PCS	9	SMALL LOCK WASHER (1/4" x 12Ø - RBW)		8PCS
5	BIG FLAT WASHER (5/16" x 22Ø - RBW)		6PCS	10	SMALL FLAT WASHER (1/4" x 19Ø - RBW)		8PCS

NOTE:

Phillips head screw driver is required in the assembly process; however, manufacturer does not provided this item.

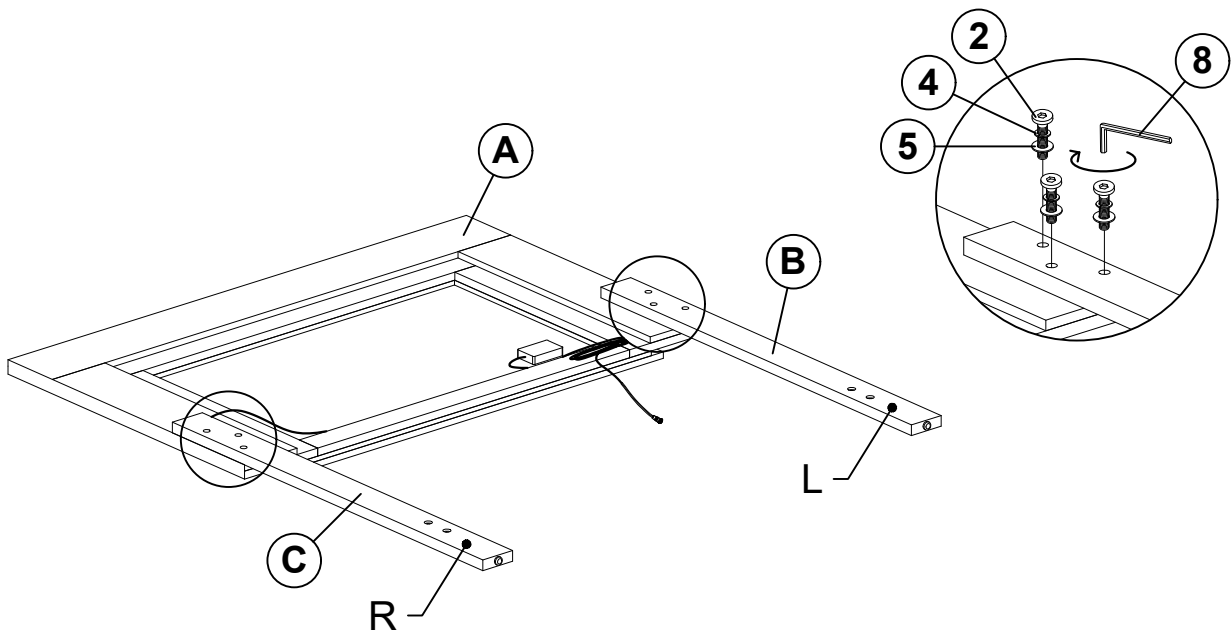
ASSEMBLY INSTRUCTIONS

STEP 1



**** BACK VIEW**

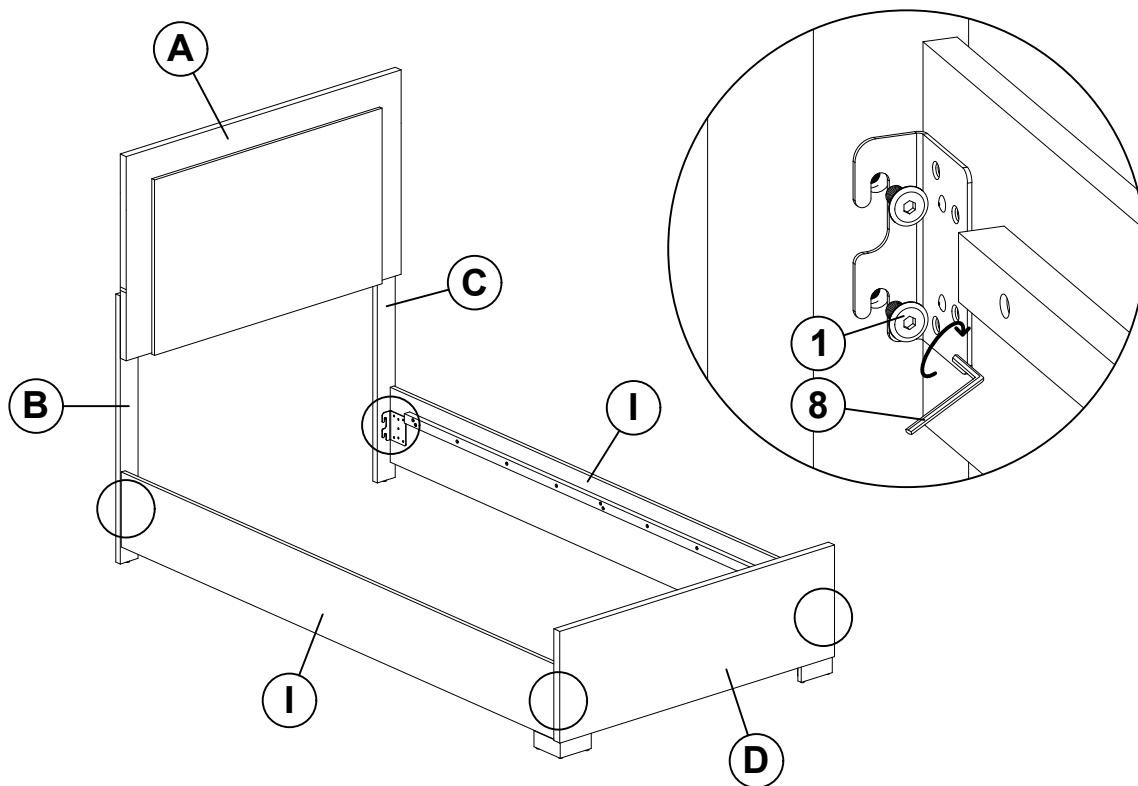
STEP 2



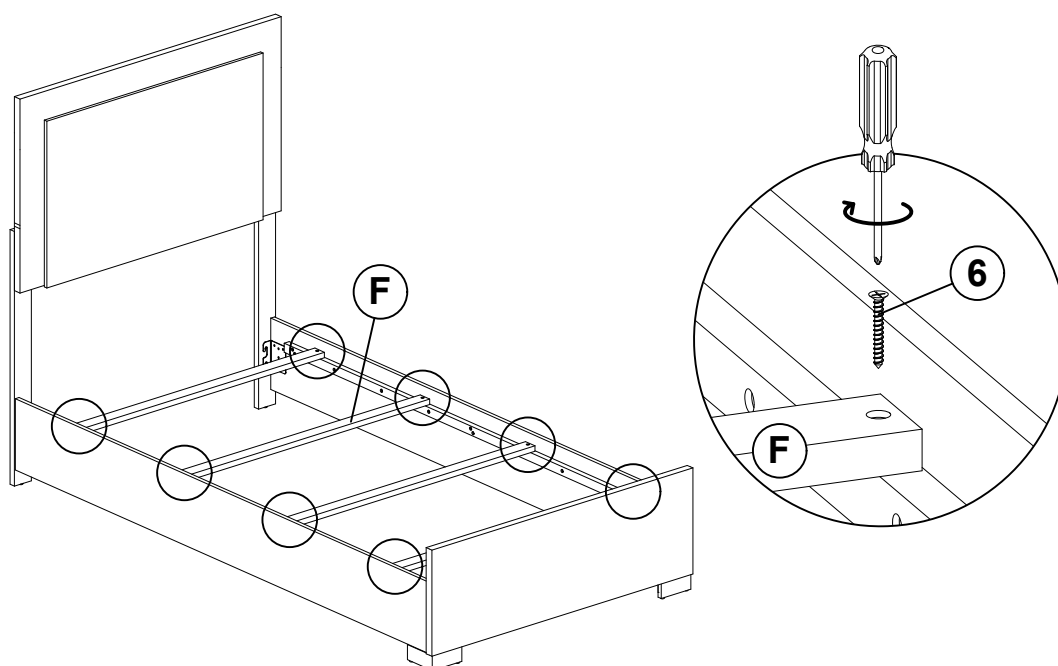
**** BACK VIEW**

ASSEMBLY INSTRUCTIONS

STEP 3

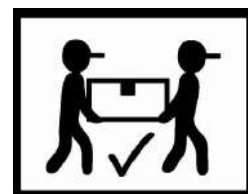
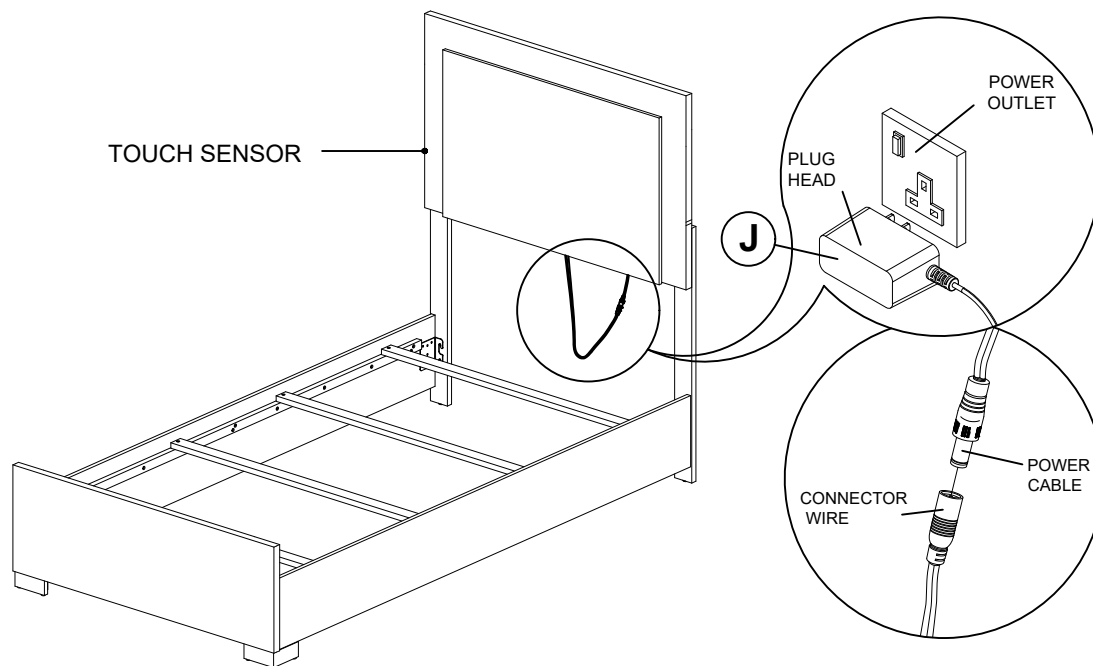


STEP 4

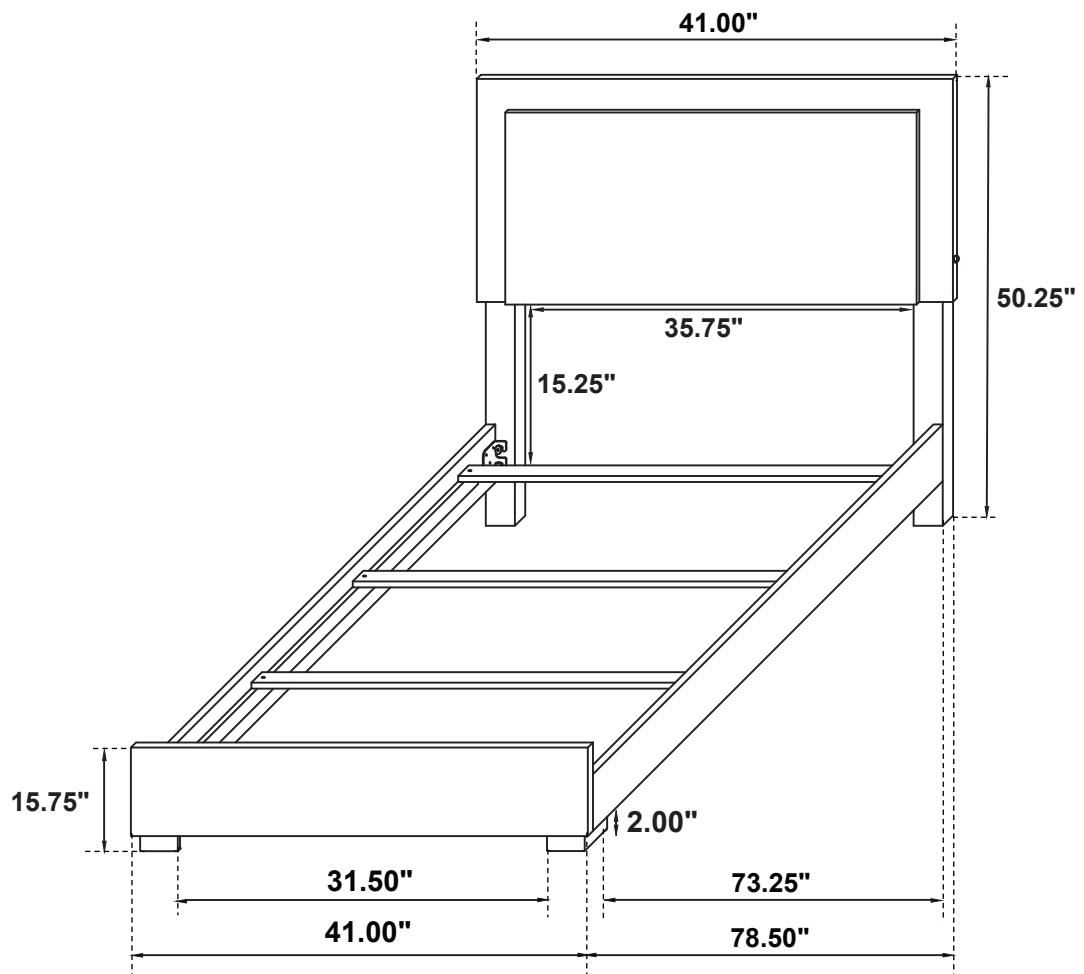


ASSEMBLY INSTRUCTIONS

STEP 5 COMPLETE

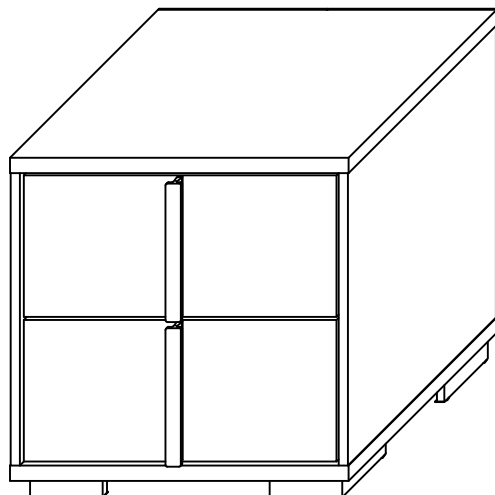


Inner Size : 39.50"W X 75.00"D



Note : Dimension tolerance $\pm 5\%$

ASSEMBLY INSTRUCTIONS



Fine Furniture for every stage of life

Nightstand

ASSEMBLY INSTRUCTIONS

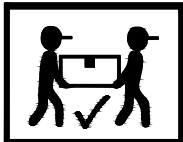
ASSEMBLY TIPS:

1. Remove hardware from box and sort by size.
2. Please check to see that all hardware and parts are present prior to start of assembly.
3. Please follow attached instructions in the same sequence as numbered to assure fast & easy assembly.



WARNING!

1. Don't attempt to repair or modify parts that are broken or defective. Please contact the store immediately.
2. This product is for home use only and not intended for commercial establishments.

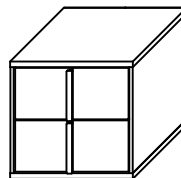


ASSEMBLY TIME

10 MINUTES

PARTS IDENTIFICATION

A NIGHTSTAND



1PC

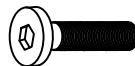
B LEG



4PCS

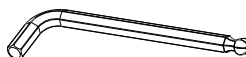
HARDWARE IDENTIFICATION

1 BOLT
(M6 x 16MM - RBW)



8PCS

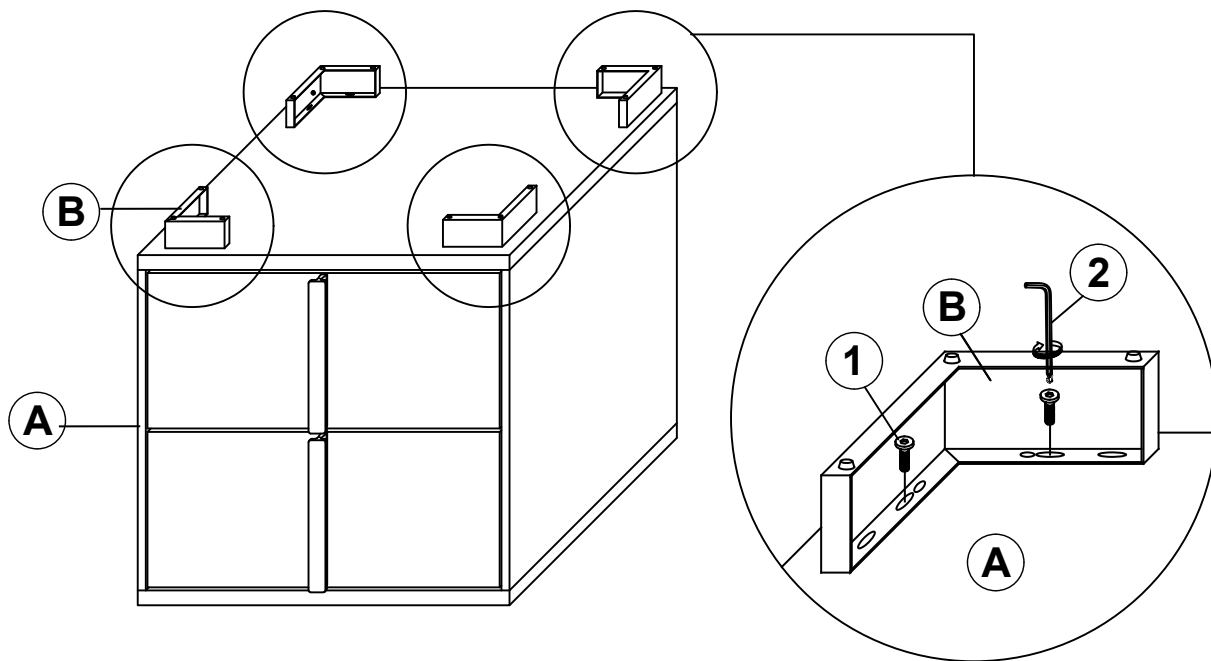
2 ALLEN WRENCH
(M4 x 110MM - BLK)



1PC

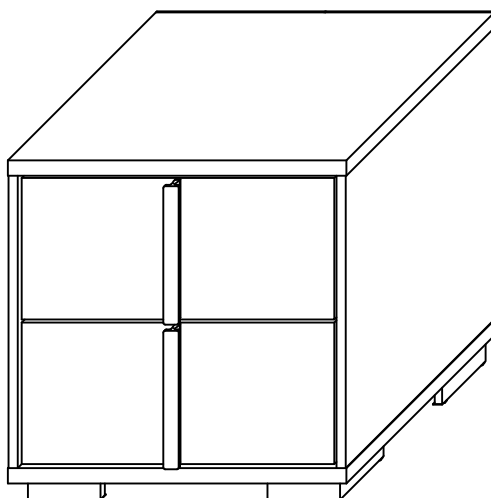
ASSEMBLY INSTRUCTIONS

STEP 1

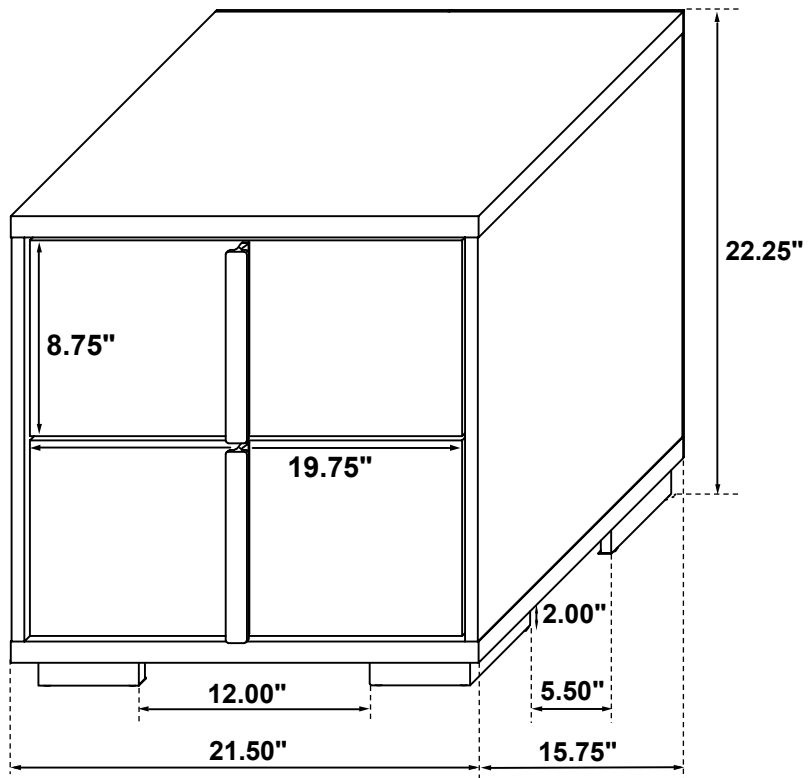


STEP 2

COMPLETE

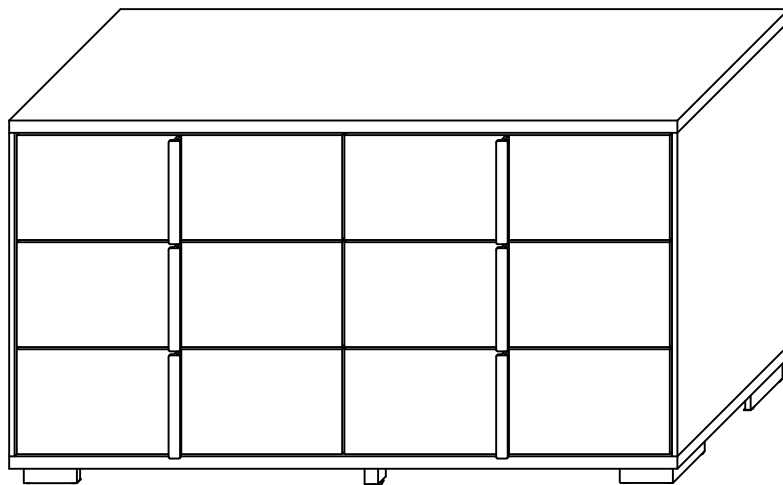


Inner Size of Drawer: 15.00"W X 12.25"D X 5.00"H X 0.25"T



Note : Dimension tolerance $\pm 5\%$

ASSEMBLY INSTRUCTIONS



Fine Furniture for every stage of life

Dresser

ASSEMBLY INSTRUCTIONS

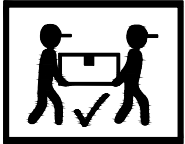
ASSEMBLY TIPS:

1. Remove hardware from box and sort by size.
2. Please check to see that all hardware and parts are present prior to start of assembly.
3. Please follow attached instructions in the same sequence as numbered to assure fast & easy assembly.



WARNING!

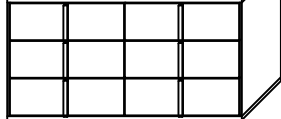

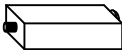
1. Don't attempt to repair or modify parts that are broken or defective. Please contact the store immediately.
2. This product is for home use only and not intended for commercial establishments.





ASSEMBLY TIME

10 MINUTES

PARTS IDENTIFICATION

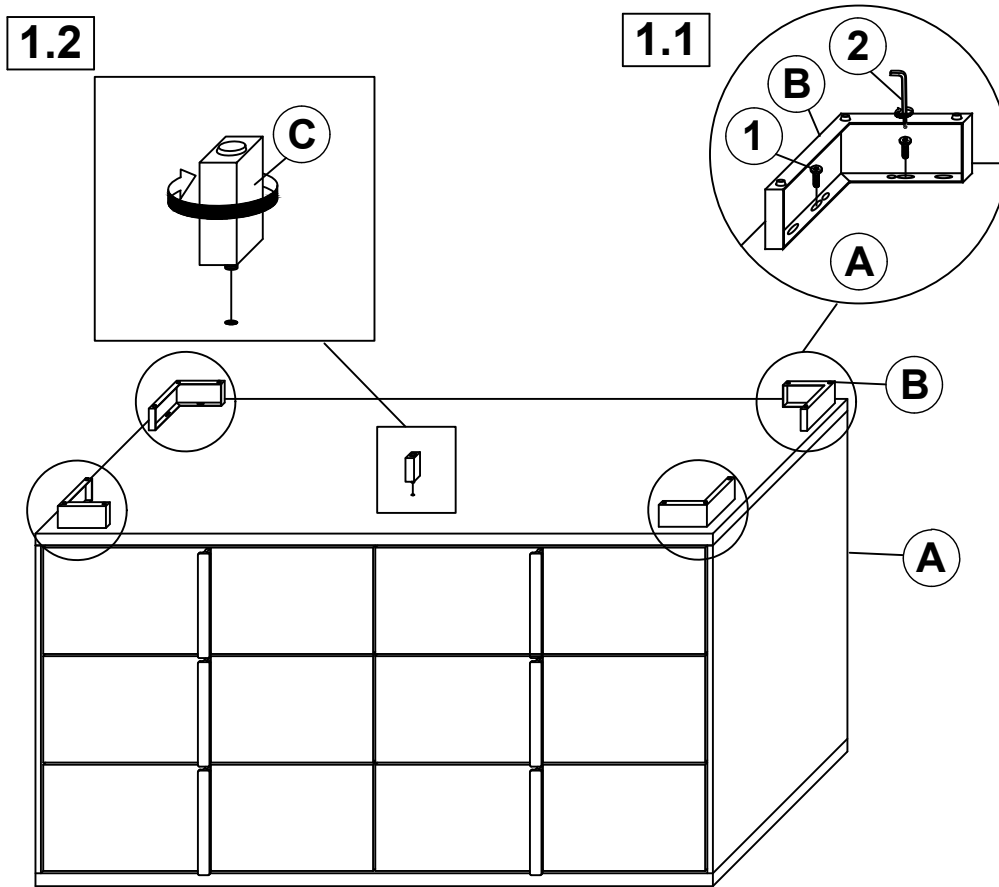
A	DRESSER		1PC
B	LEG		4PCS
C	CENTER SUPPORT LEG WITH LEVELER		1PC

HARDWARE IDENTIFICATION

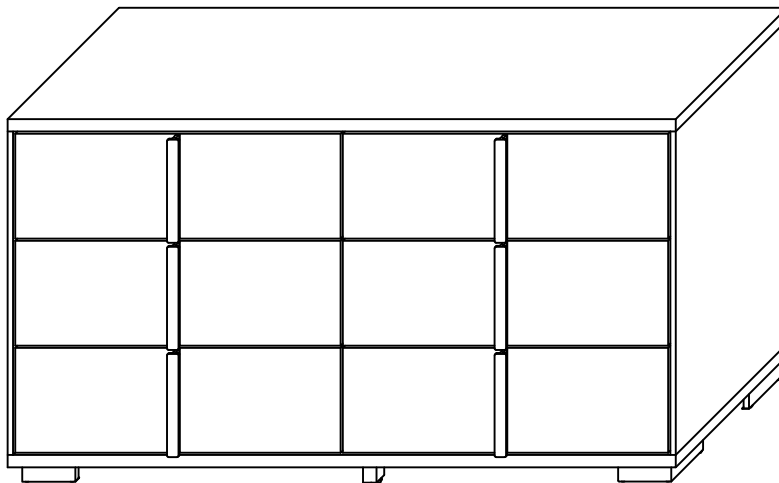
1	BOLT (M6 x 16MM - RBW)		8PCS
2	ALLEN WRENCH (M4 x 110MM - BLK)		1PC

ASSEMBLY INSTRUCTIONS

STEP 1



STEP 2 COMPLETE



ANTI-TIPPING INSTALLMENT INSTRUCTIONS

FURNITURE TIPPING RESTRAINT

WARNING

Injury may result from tipping furniture.

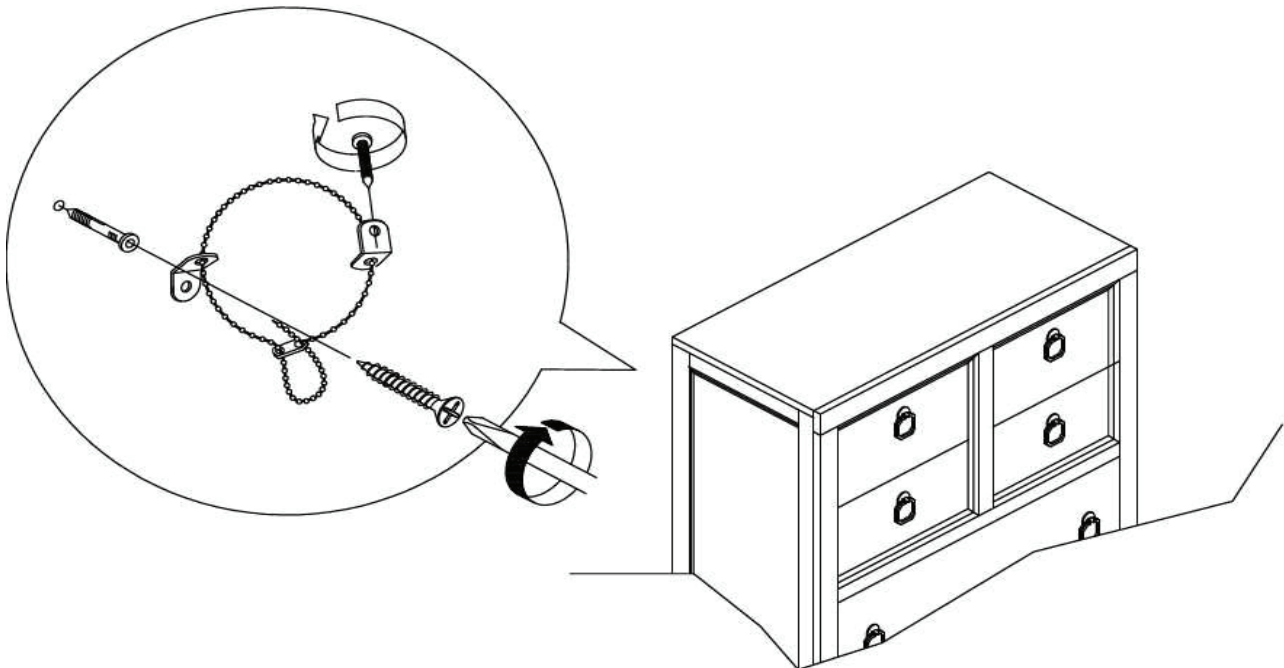
This restraint may protect against tipping furniture.

Do not allow children to climb on furniture.

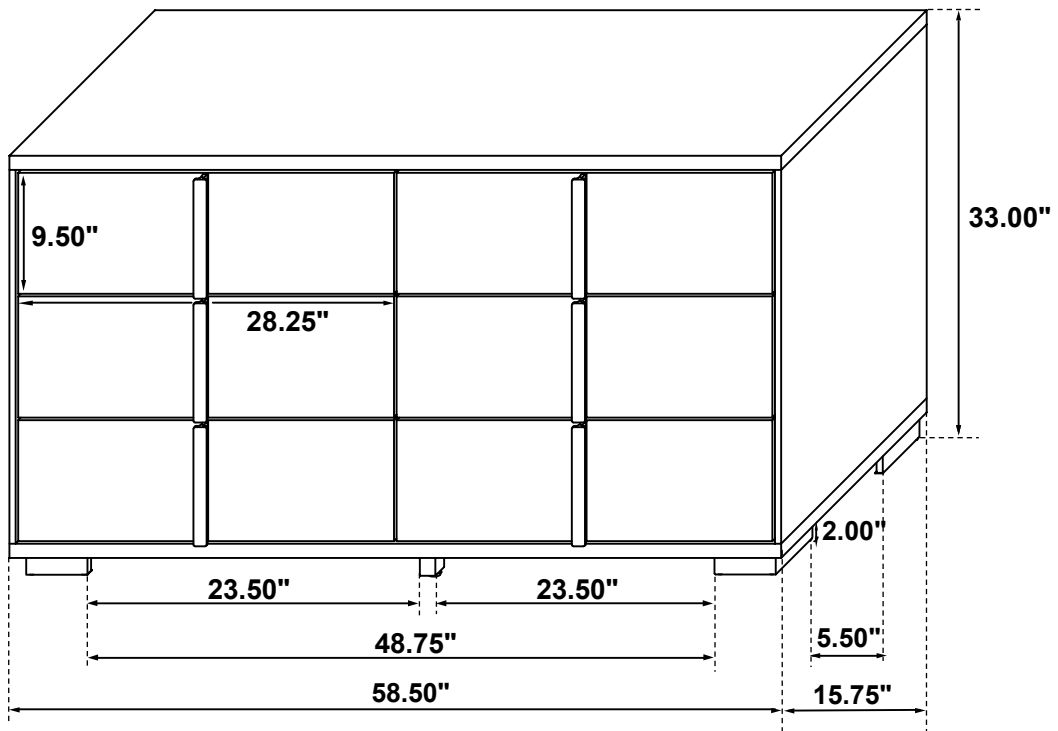
This restraint is not a substitute for proper adult supervision.

Failure to detach this restraint before moving the furniture may result in injury and damage.

1. Attach one of the mounting brackets securely to the back edge of the furniture. Use the short screw.
2. Determine where the furniture is to be placed and mark location on the wall for the mounting bracket screw hole approximately 2" below the bracket mounted to the edge of the furniture.
3. Drill a 3/16" hole in the wall. Press the plastic wall plug into the hole and gently tap until the flange on the wall plug is against the wall surface.
4. Position the bracket over the wall plug and use the long screw to securely attach the bracket to the wall.
5. Place the furniture so the bracket on the back edge is in line with the bracket on the wall.
6. Lace an end of the cable tie down through each bracket. Bring both ends together and slide the beaded end of the cable tie through the keyhole shaped slot on the other end until snug. Pull down on the beaded end until it snap locks into the keyhole slot.
7. To double lock return the beaded end back through the keyhole as shown.
8. Check to make sure the cable tie is securely laced and locked to the brackets.

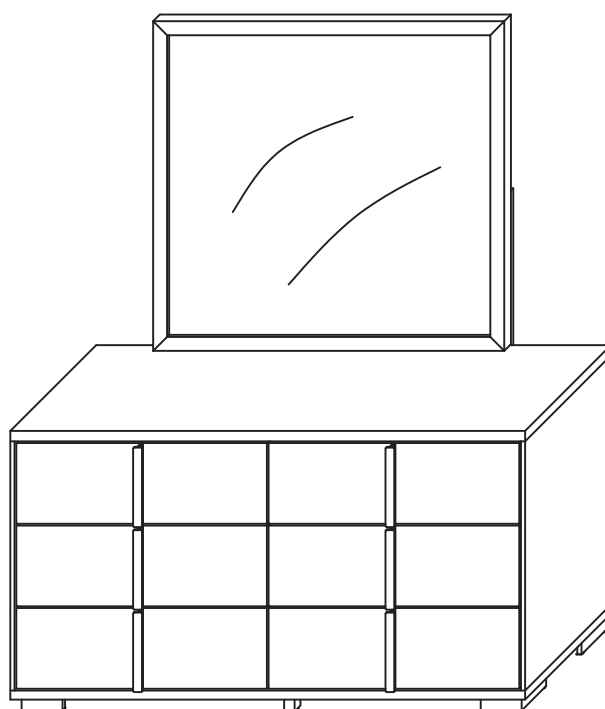


Inner Size of Drawer : 24.50"W X 12.25"D X 5.00"H X 0.25"T



Note : Dimension tolerance $\pm 5\%$

ASSEMBLY INSTRUCTIONS



Fine Furniture for every stage of life

Mirror

ASSEMBLY INSTRUCTIONS

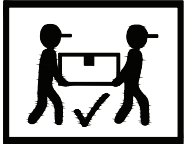
ASSEMBLY TIPS:

1. Remove hardware from box and sort by size.
2. Please check to see that all hardware and parts are present prior to start of assembly.
3. Please follow attached instructions in the same sequence as numbered to assure fast & easy assembly.



WARNING!

1. Don't attempt to repair or modify parts that are broken or defective. Please contact the store immediately.
2. This product is for home use only and not intended for commercial establishments.

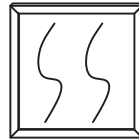


ASSEMBLY TIME

10 MINUTES

PARTS IDENTIFICATION

A MIRROR



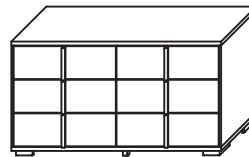
1PC

B MIRROR SUPPORT
(PACKED WITH MIRROR)



2PCS

C DRESSER



1PC

HARDWARE IDENTIFICATION

1 BOLT
(M6 x 40mm - RBW)



8PCS

2 LOCK WASHER
(1/4" x 12Ø - RBW)



8PCS

3 FLAT WASHER
(1/4" x 19Ø - RBW)



8PCS

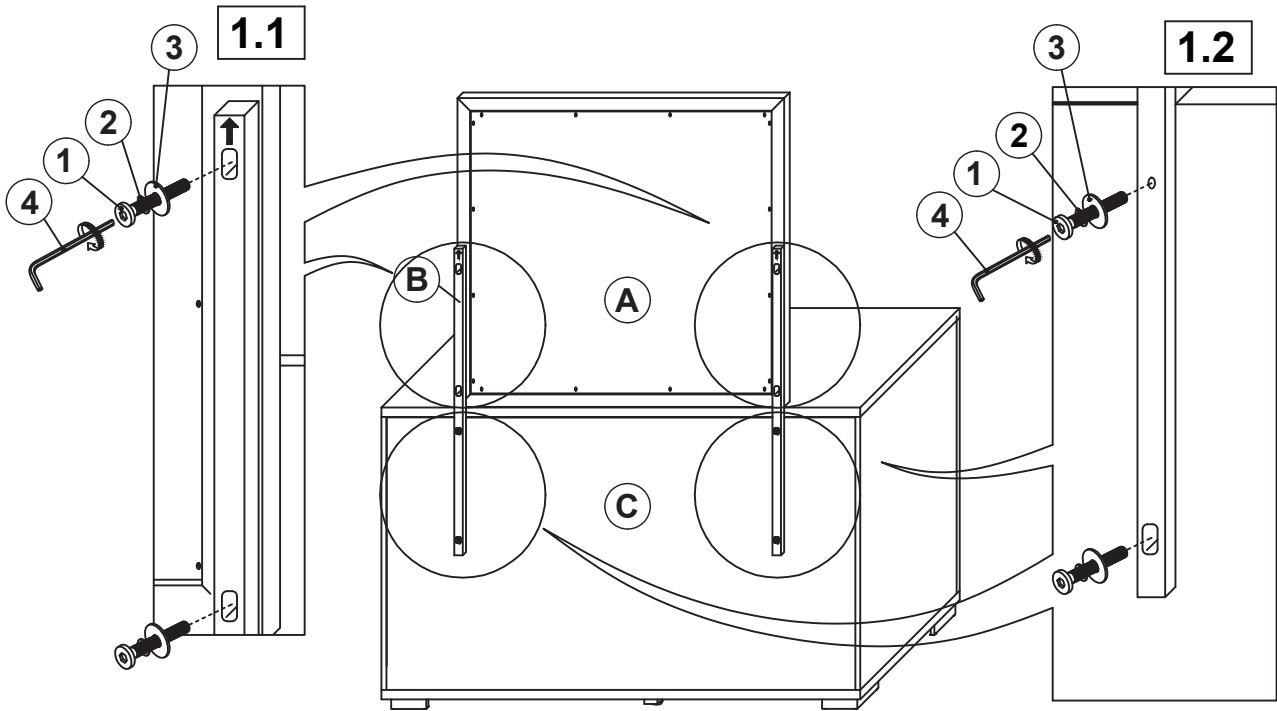
4 ALLEN WRENCH
(M4 x 65mm - BLK)



1PC

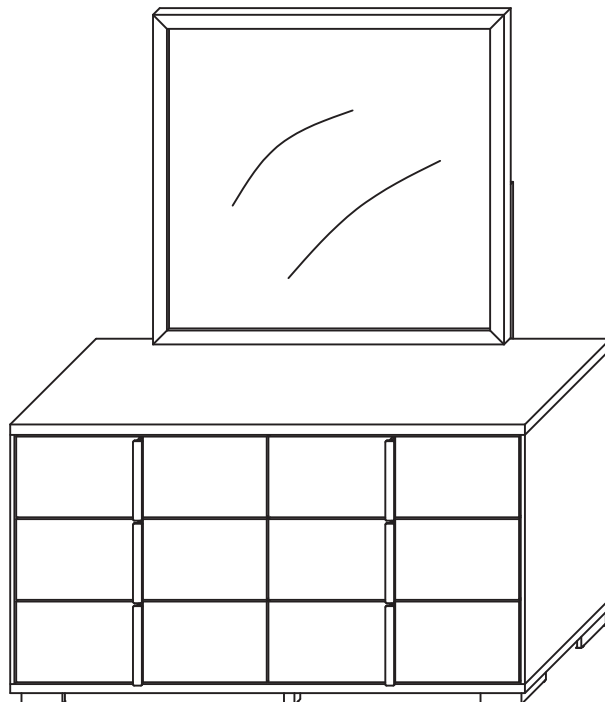
ASSEMBLY INSTRUCTIONS

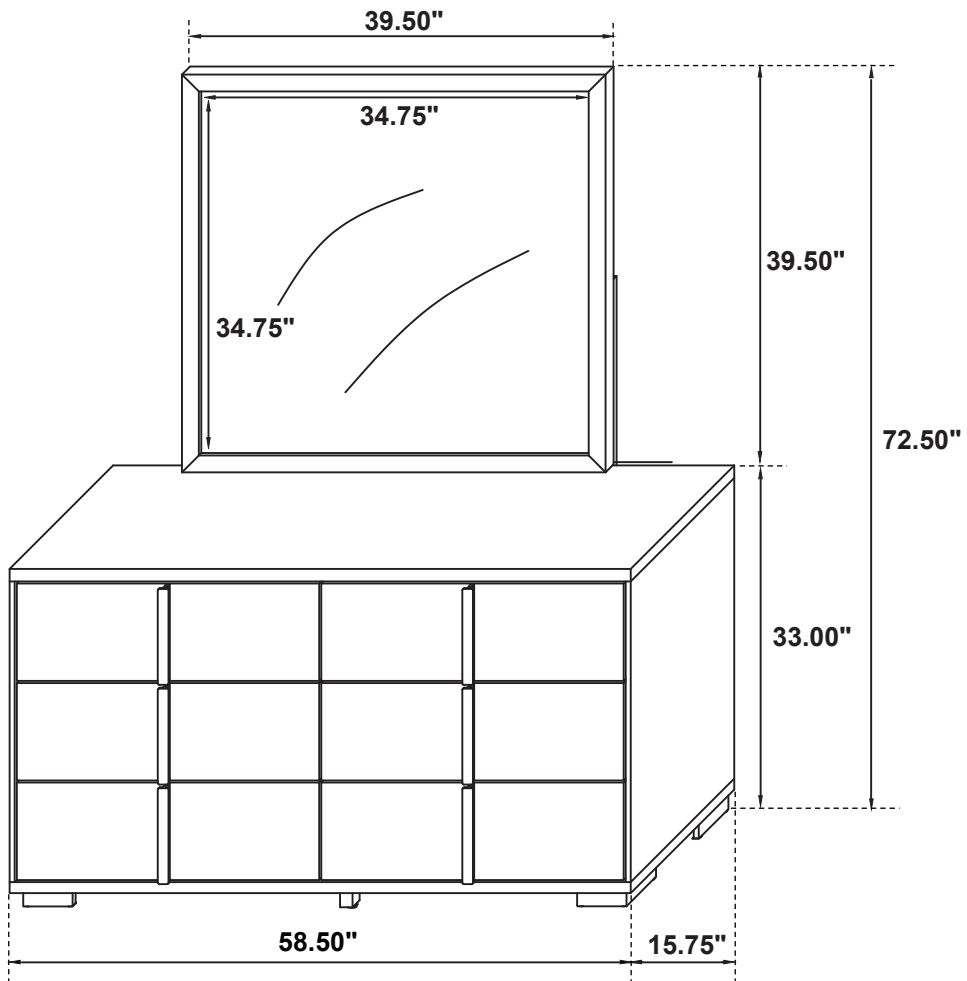
STEP 1



STEP 2

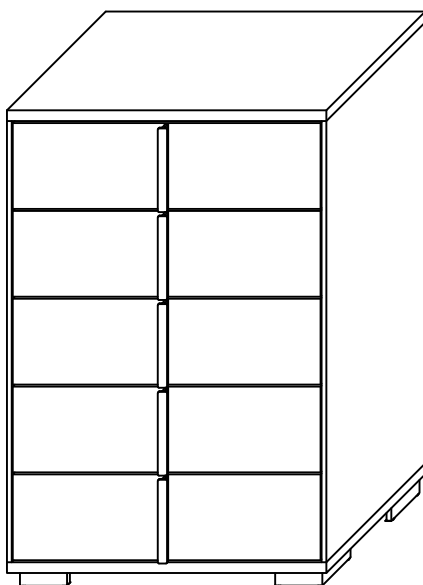
COMPLETE





Note: Dimension tolerance $\pm 5\%$

ASSEMBLY INSTRUCTIONS



Fine Furniture for every stage of life

Chest

ASSEMBLY INSTRUCTIONS

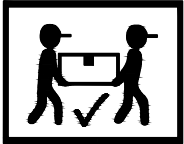
ASSEMBLY TIPS:

1. Remove hardware from box and sort by size.
2. Please check to see that all hardware and parts are present prior to start of assembly.
3. Please follow attached instructions in the same sequence as numbered to assure fast & easy assembly.



WARNING!

1. Don't attempt to repair or modify parts that are broken or defective. Please contact the store immediately.
2. This product is for home use only and not intended for commercial establishments.

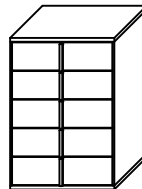


ASSEMBLY TIME

10 MINUTES

PARTS IDENTIFICATION

A CHEST



1PC

B LEG



4PCS

HARDWARE IDENTIFICATION

1 BOLT
(M6 x 16MM - RBW)



8PCS

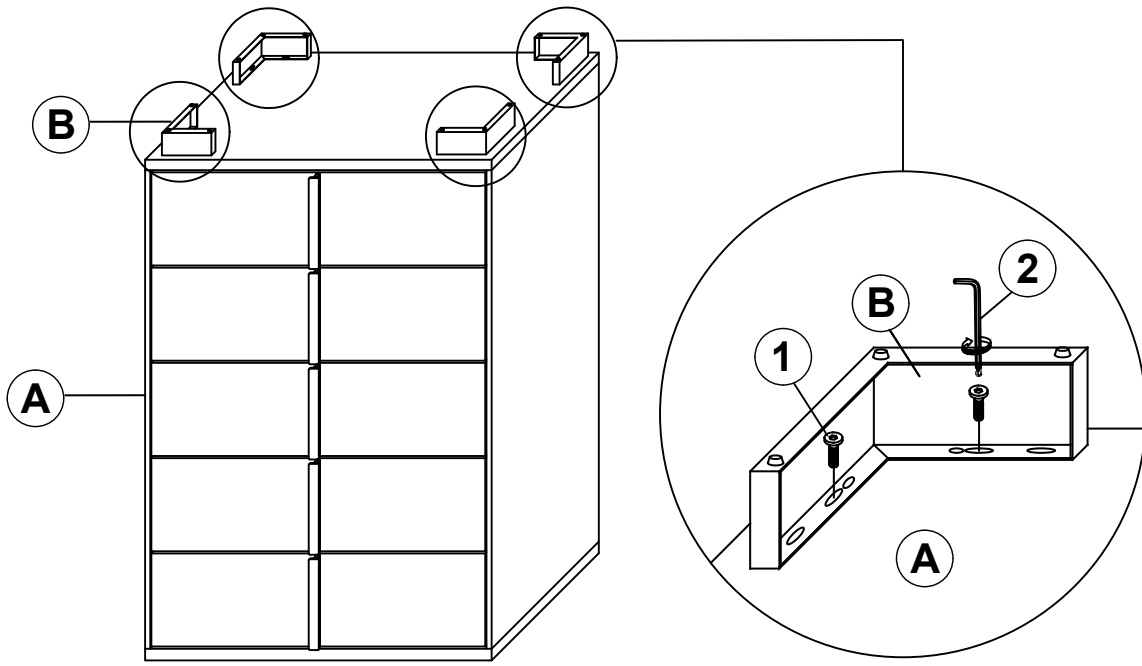
2 ALLEN WRENCH
(M4 x 110MM - BLK)



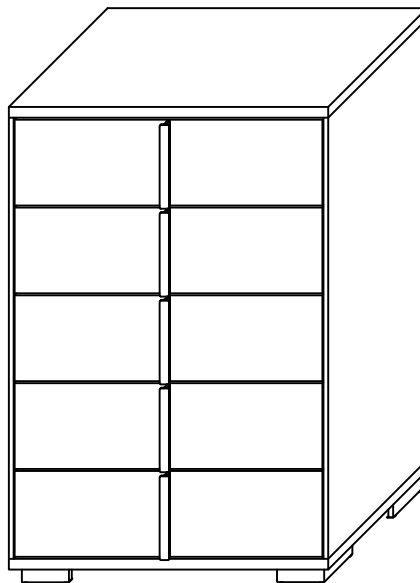
1PC

ASSEMBLY INSTRUCTIONS

STEP 1



STEP 2 COMPLETE



ANTI-TIPPING INSTALLMENT INSTRUCTIONS

FURNITURE TIPPING RESTRAINT

WARNING

Injury may result from tipping furniture.

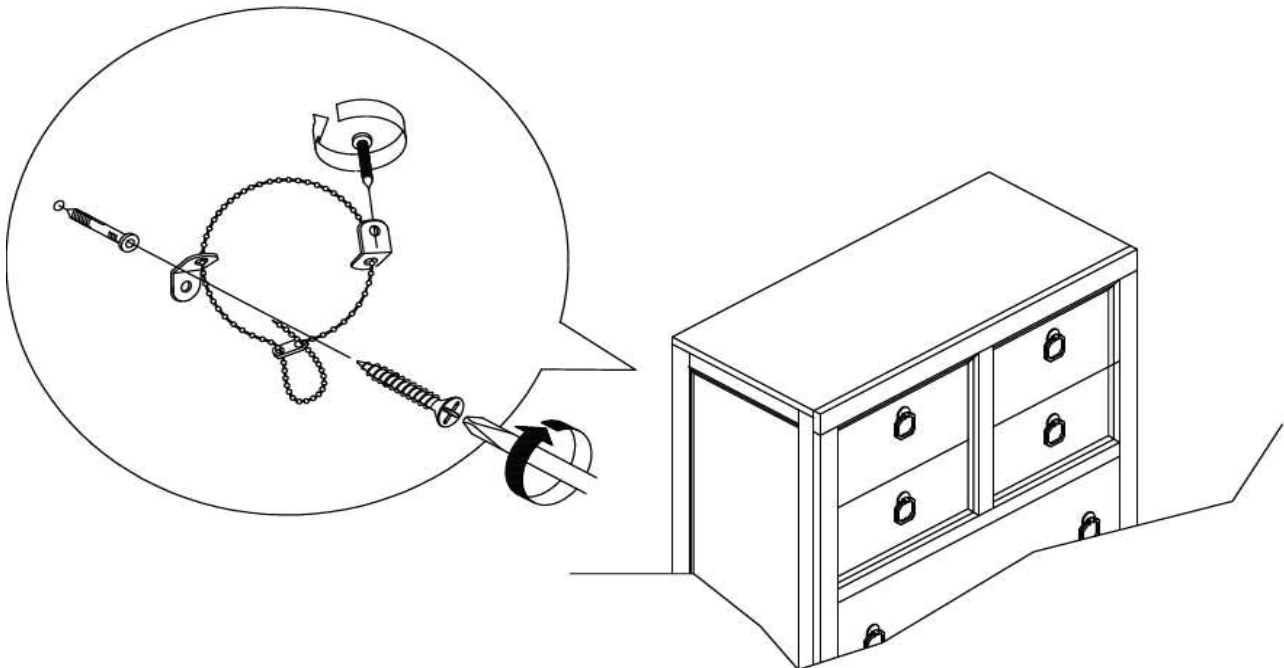
This restraint may protect against tipping furniture.

Do not allow children to climb on furniture.

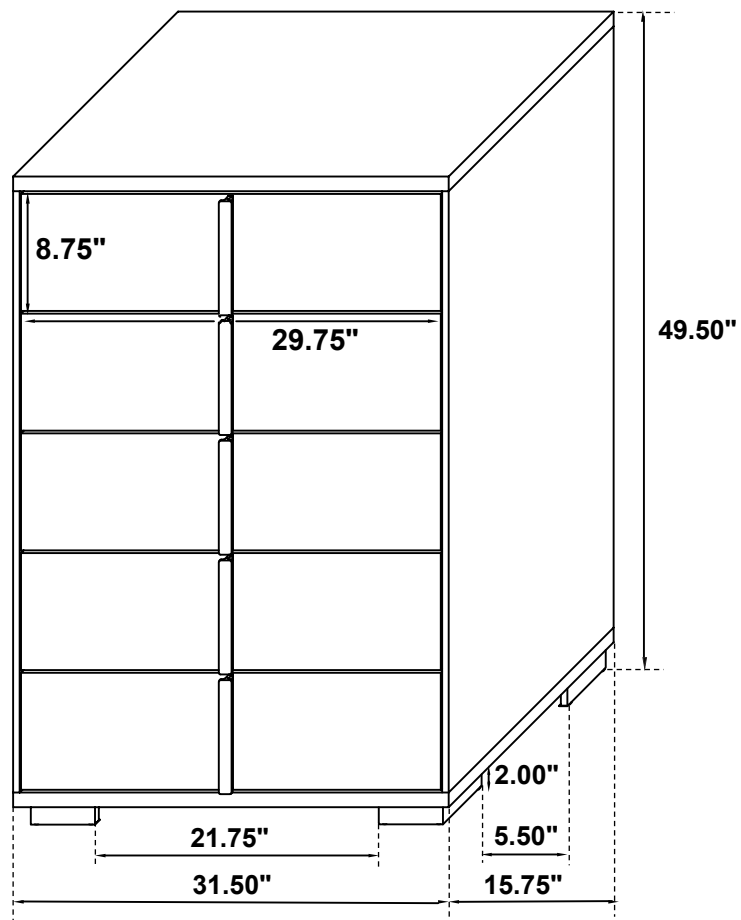
This restraint is not a substitute for proper adult supervision.

Failure to detach this restraint before moving the furniture may result in injury and damage.

1. Attach one of the mounting brackets securely to the back edge of the furniture. Use the short screw.
2. Determine where the furniture is to be placed and mark location on the wall for the mounting bracket screw hole approximately 2" below the bracket mounted to the edge of the furniture.
3. Drill a 3/16" hole in the wall. Press the plastic wall plug into the hole and gently tap until the flange on the wall plug is against the wall surface.
4. Position the bracket over the wall plug and use the long screw to securely attach the bracket to the wall.
5. Place the furniture so the bracket on the back edge is in line with the bracket on the wall.
6. Lace an end of the cable tie down through each bracket. Bring both ends together and slide the beaded end of the cable tie through the keyhole shaped slot on the other end until snug. Pull down on the beaded end until it snap locks into the keyhole slot.
7. To double lock return the beaded end back through the keyhole as shown.
8. Check to make sure the cable tie is securely laced and locked to the brackets.



Inner Size of Drawer : 24.50"W X 12.25"D X 5.00"H X 0.25"T



Note : Dimension tolerance $\pm 5\%$