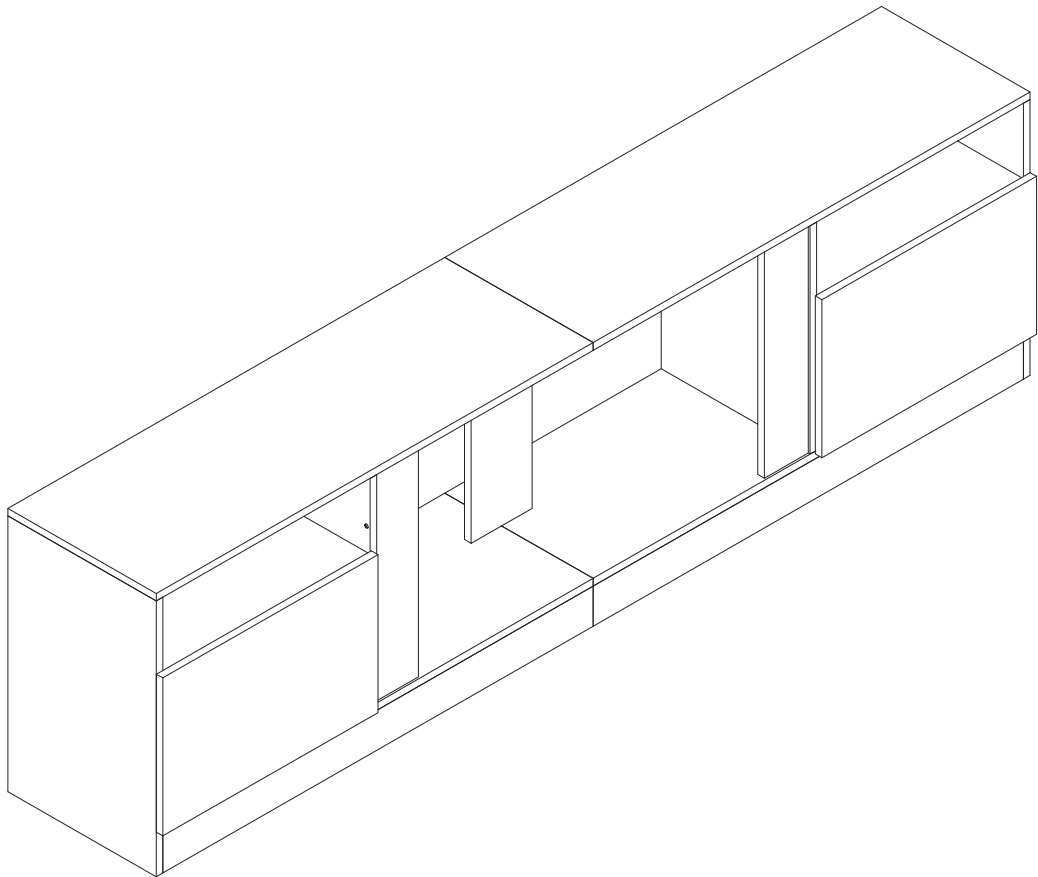


# MANUAL INSTRUCTION

TV Stand



**We offer a diverse range of  
products  
to meet the needs of customers**

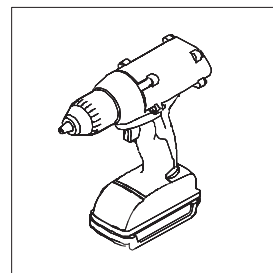
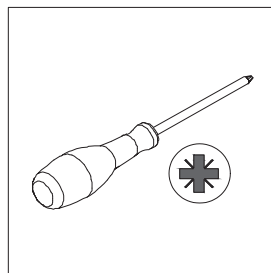
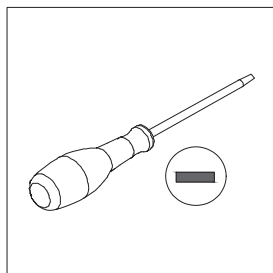
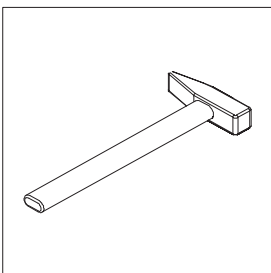
## Notes

1. The product must be assembled and used in accordance with the provisions of the manual. The seller does not assume any responsibility or liability with respect to any damage caused by incorrect assembly or improper use.
2. Periodically inspect screw tightness while the product is in use. If necessary, retighten to ensure structural integrity.
3. Please read assembly instructions before start.
4. Please remember : This summary may not include every detail of all variations or considered steps.
- \* 5. Please contact us when further information are needed.

## Warnings

1. It is strictly prohibited to sit or stand on the product.
2. Please put this item on a flat ground.
3. During the assembly process, keep any small parts out of the reach of children. It may be fatal if swallowed or inhaled
4. To avoid the potential dangers of suffocation, please keep all parts and packaging (films, plastic bags and foam, etc.) away from babies and children.
5. If there is/are defective and/or missing part(s) after unpacking, please cease assembly immediately and get in contact with us as soon as possible.

## Tools Required



If electric tools are required, please reduce the torque to prevent product damage during installation.

# PARTS



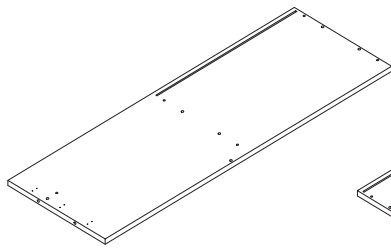
2 Persons Assembly



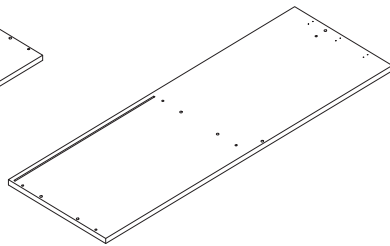
Up to 60 Minutes For Assembly



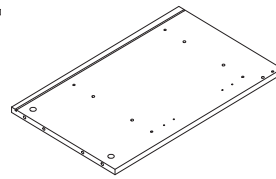
When installing, please carefully confirm whether each screw corresponds to the manual, accessories with similar shapes can be distinguished by size.



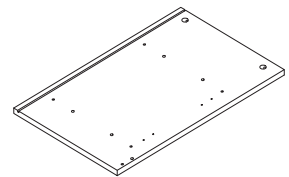
1 x1



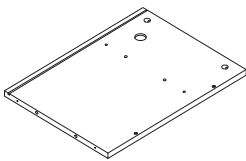
2 x1



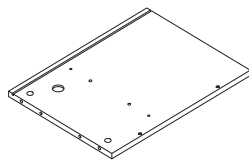
3 x1



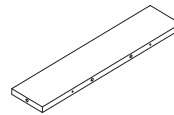
4 x1



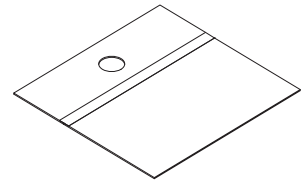
5 x1



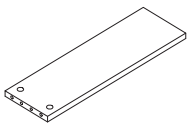
6 x1



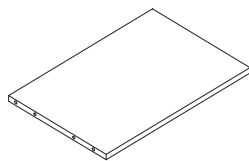
7 x2



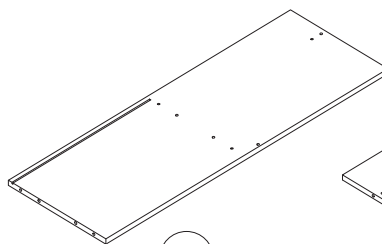
8 x2



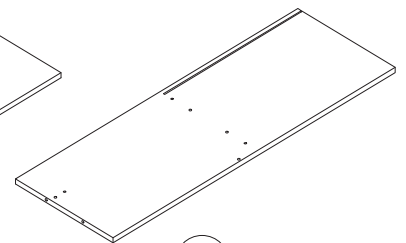
9 x1



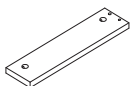
10 x2



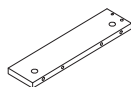
11 x1



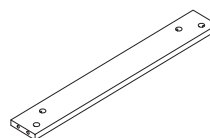
12 x1



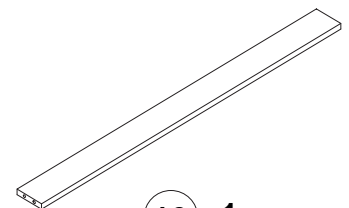
13 x1



14 x1

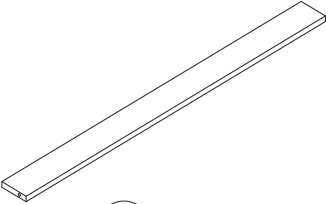


15 x1

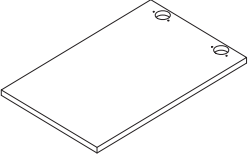


16 x1

# PARTS

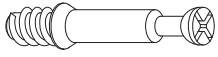


17 x1



18 x2

# HARDWARE



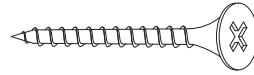
Φ6x35mm

**A** x36



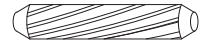
Φ15x9mm

**B** x36



M4x40mm

**C** x10



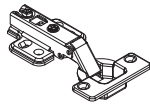
Φ6x30mm

**D** x55



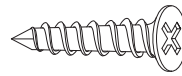
M3x12mm

**E** x28



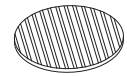
Φ35mm

**F** x4



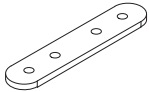
M3.5x14mm

**G** x24



Φ20mm

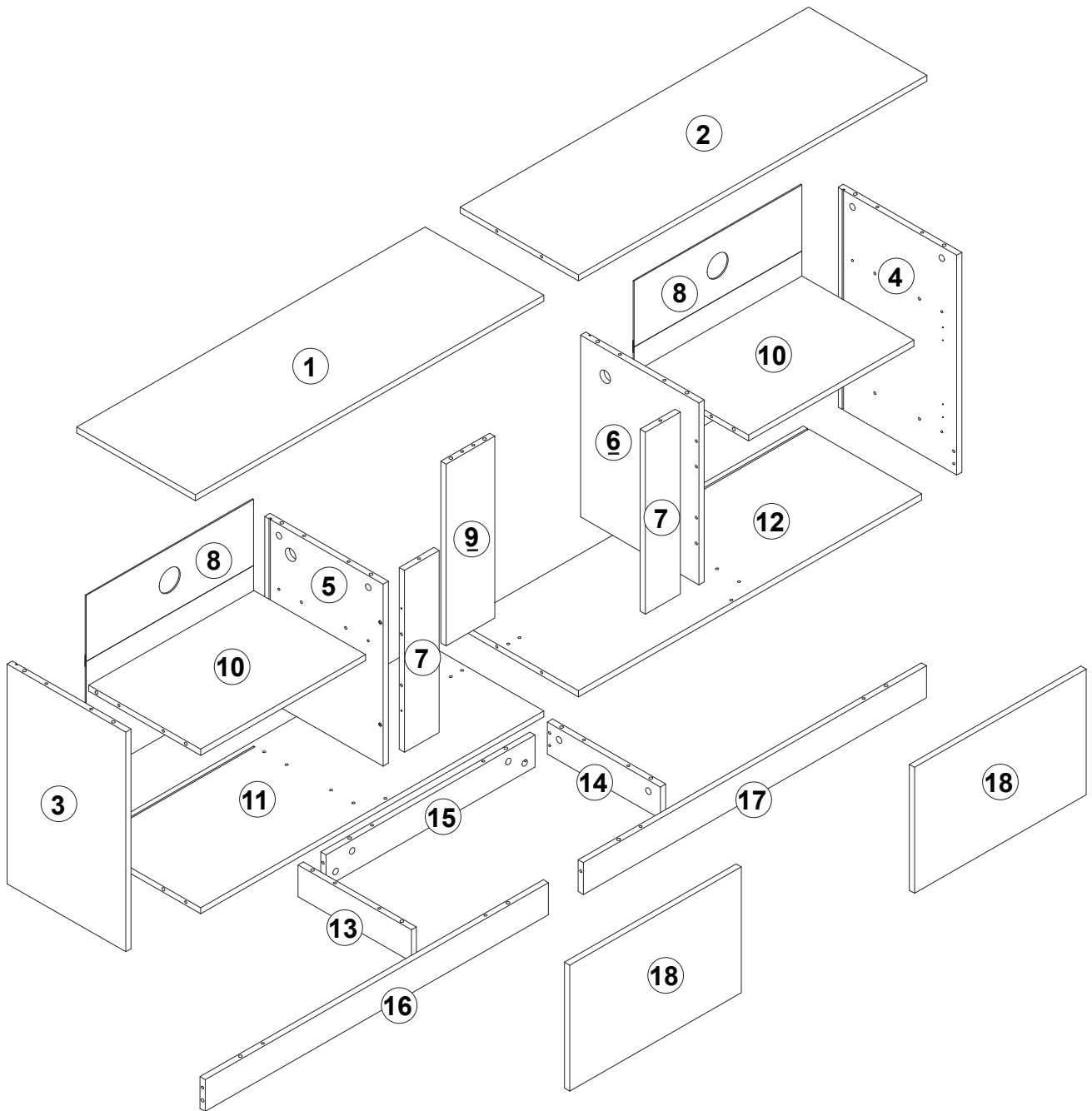
**H** x12



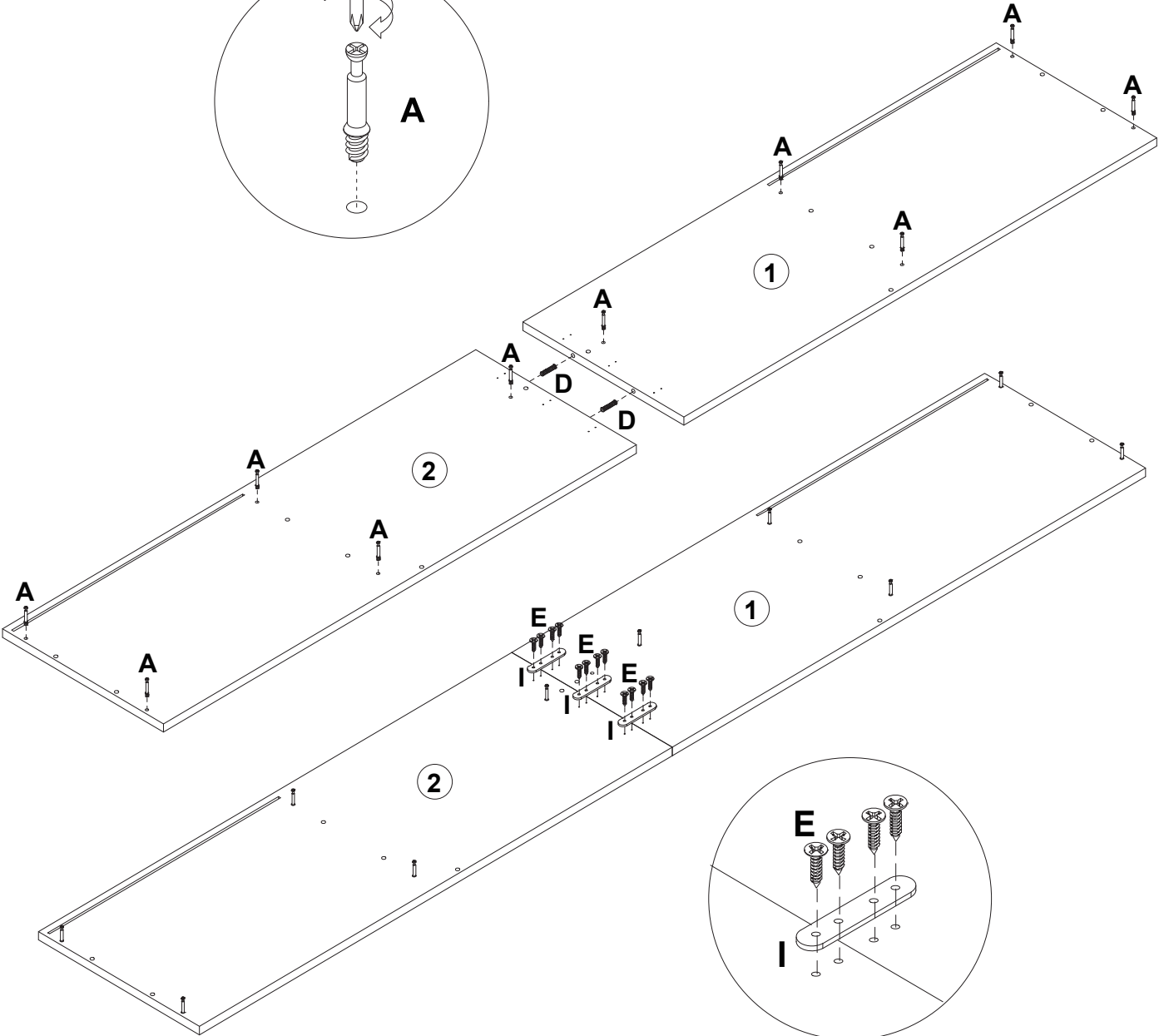
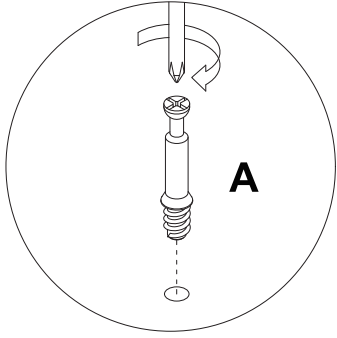
Φ25mm

**I** x7

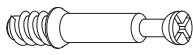
# EXPLOSION DIAGRAM



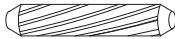
1



2



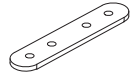
A x10



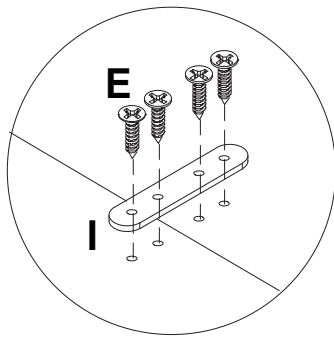
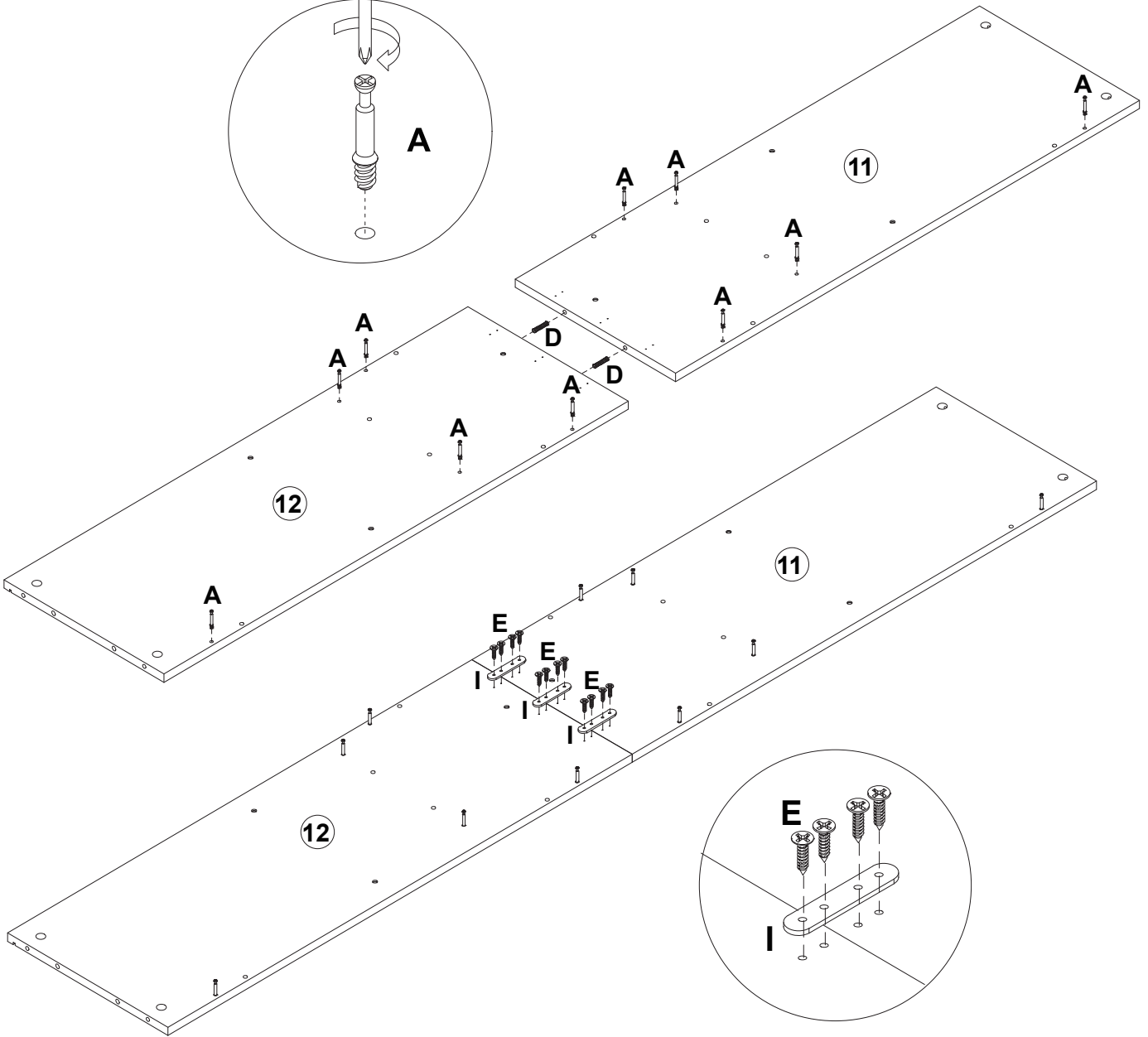
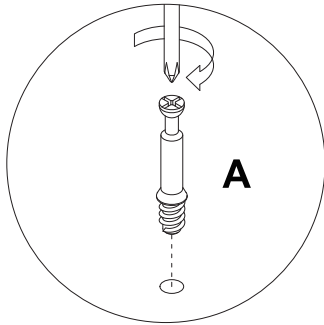
D x2



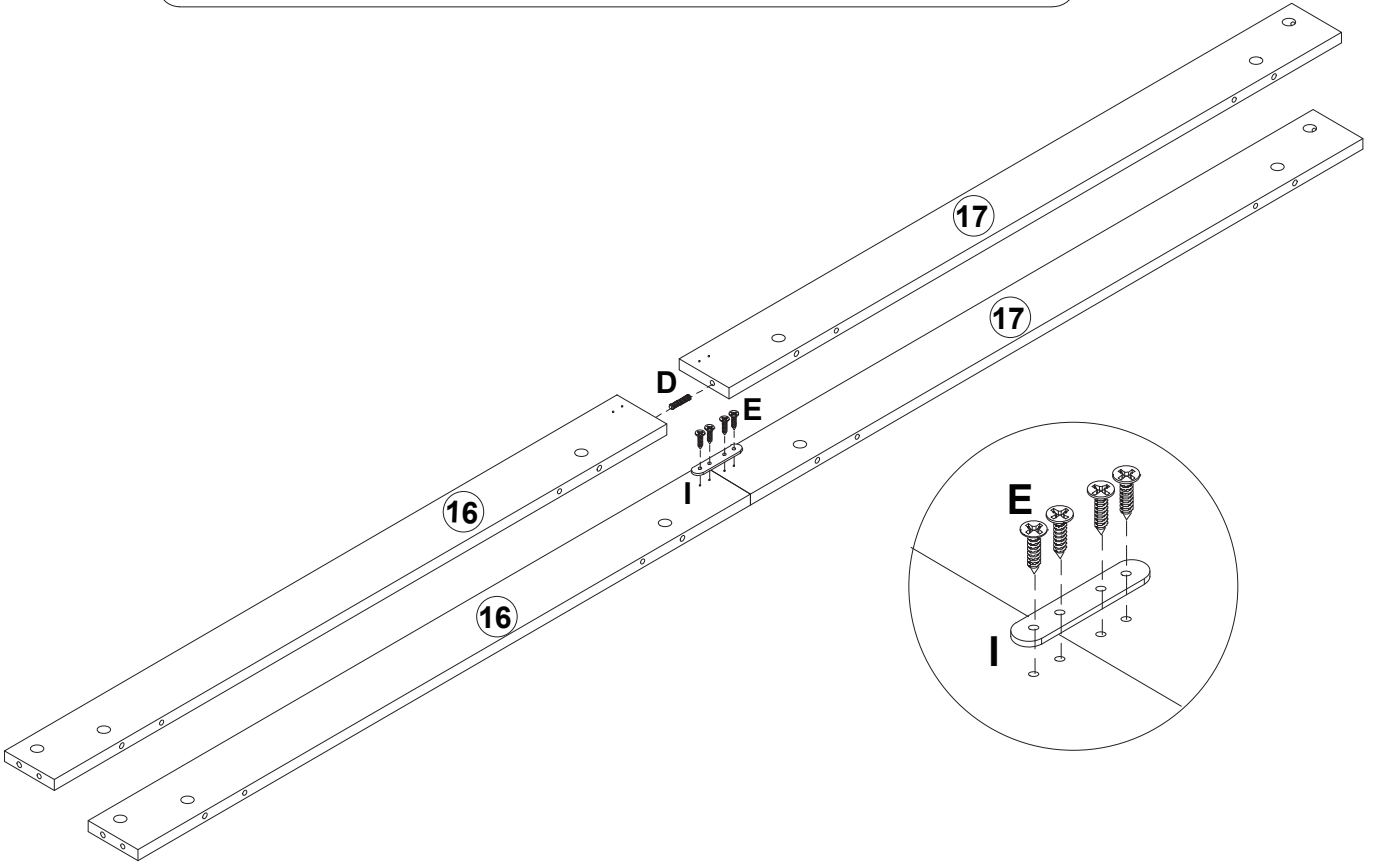
E x12



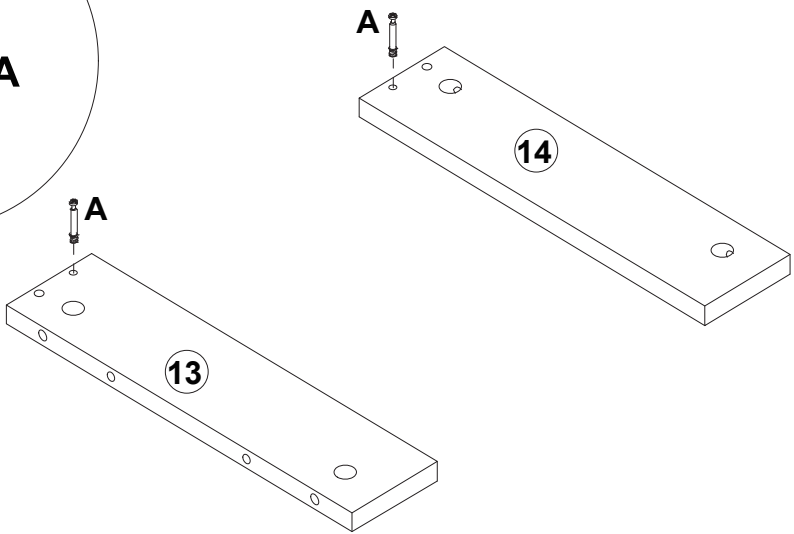
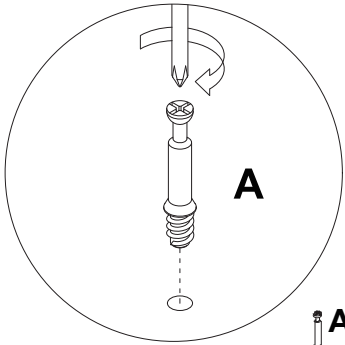
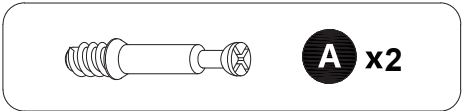
I x3



3

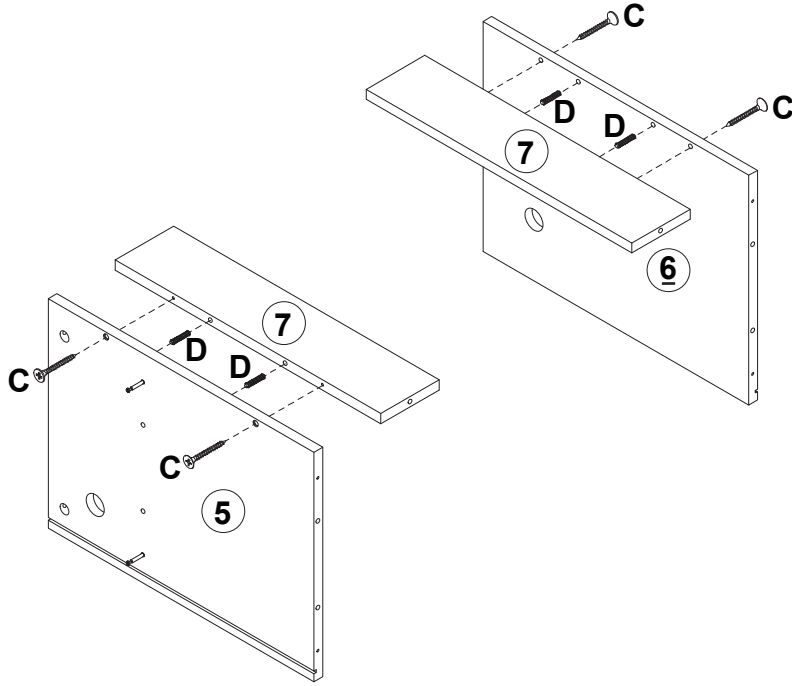
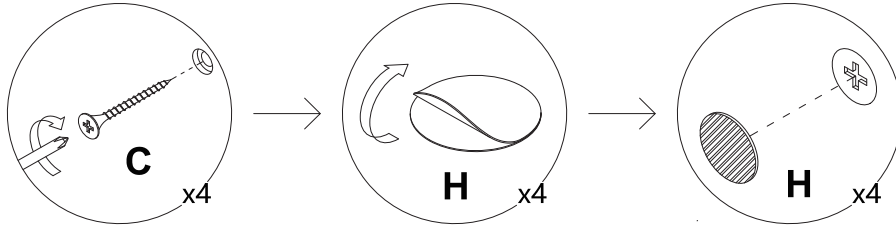
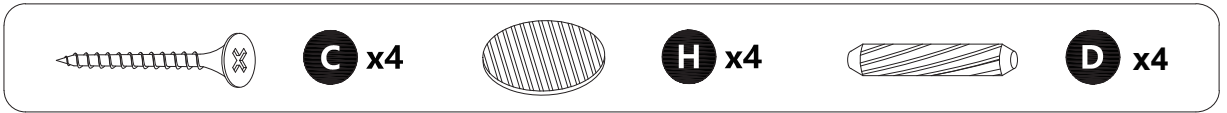


4

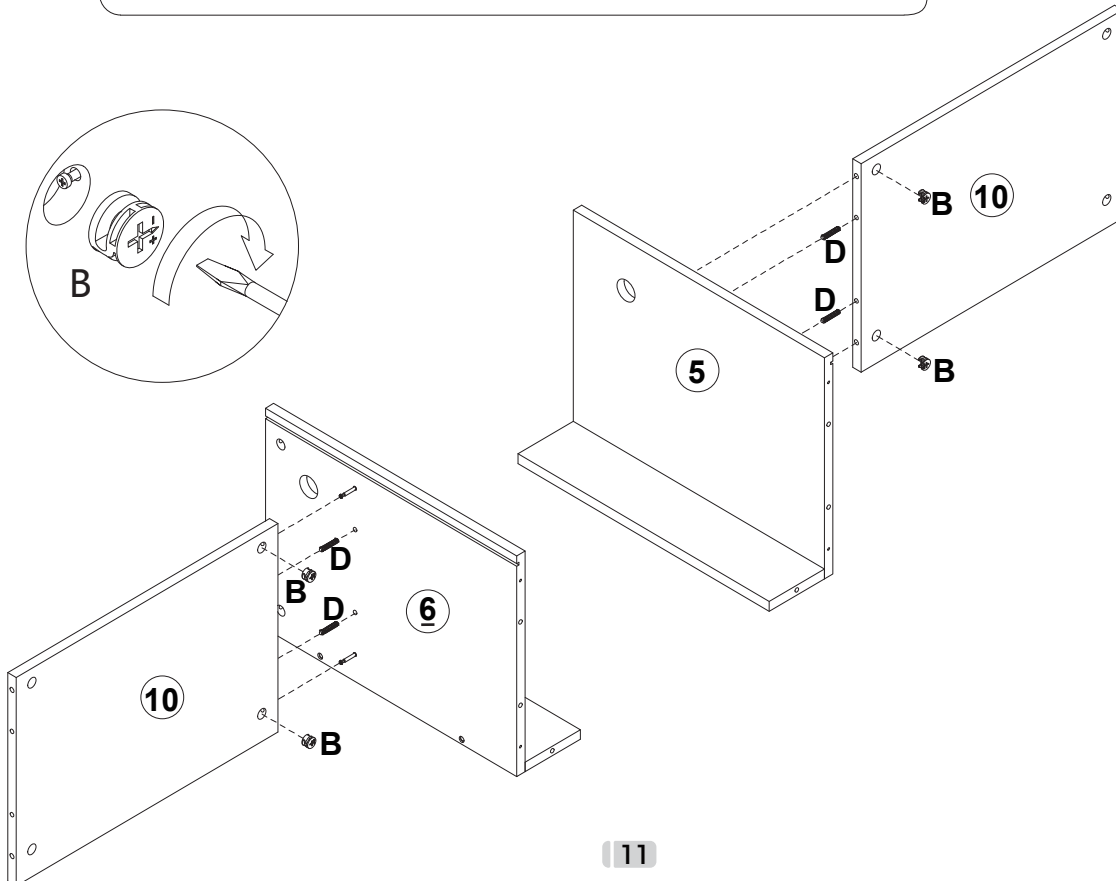
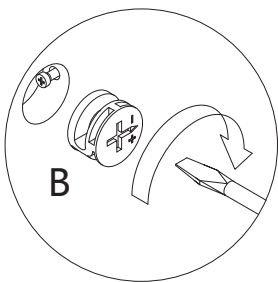




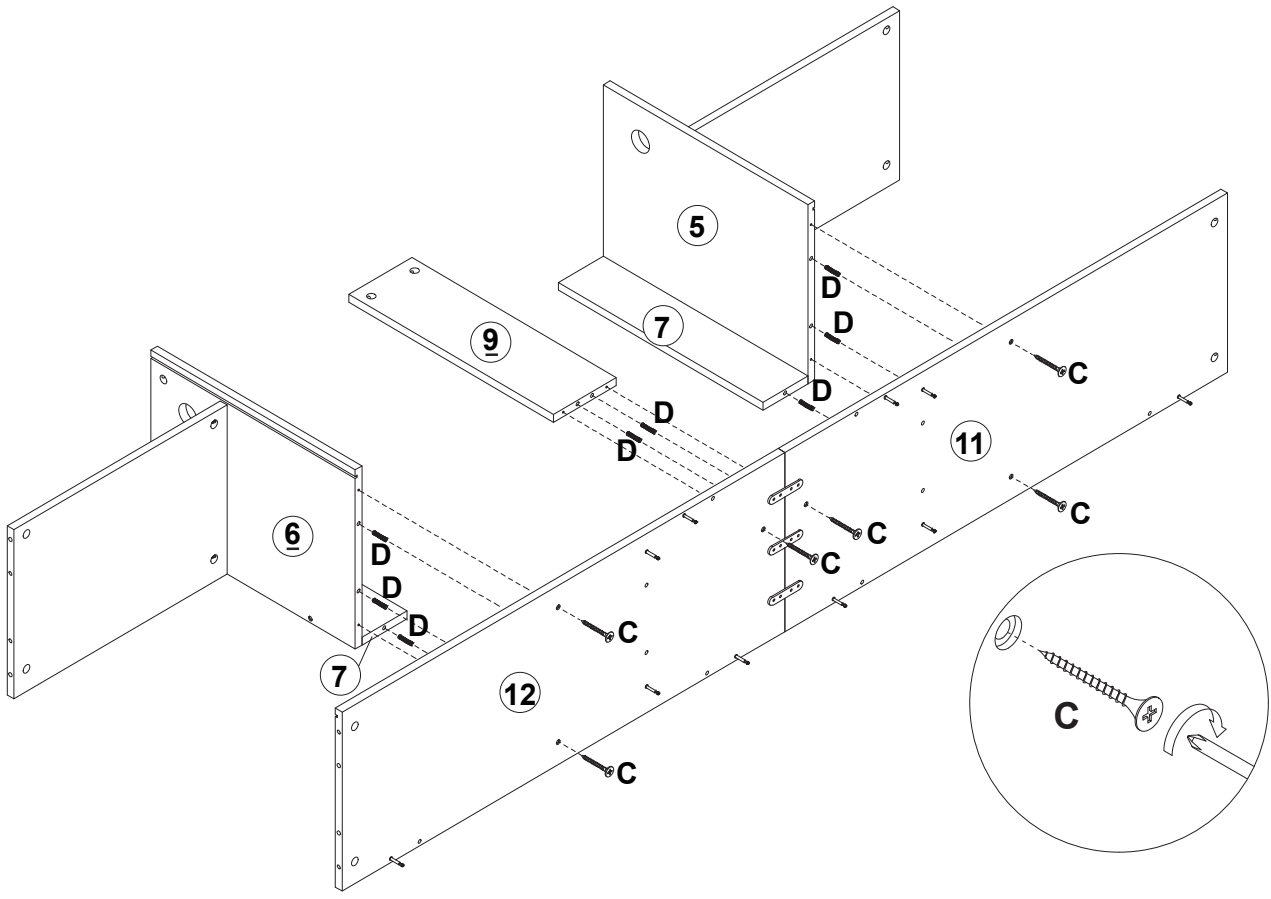
6



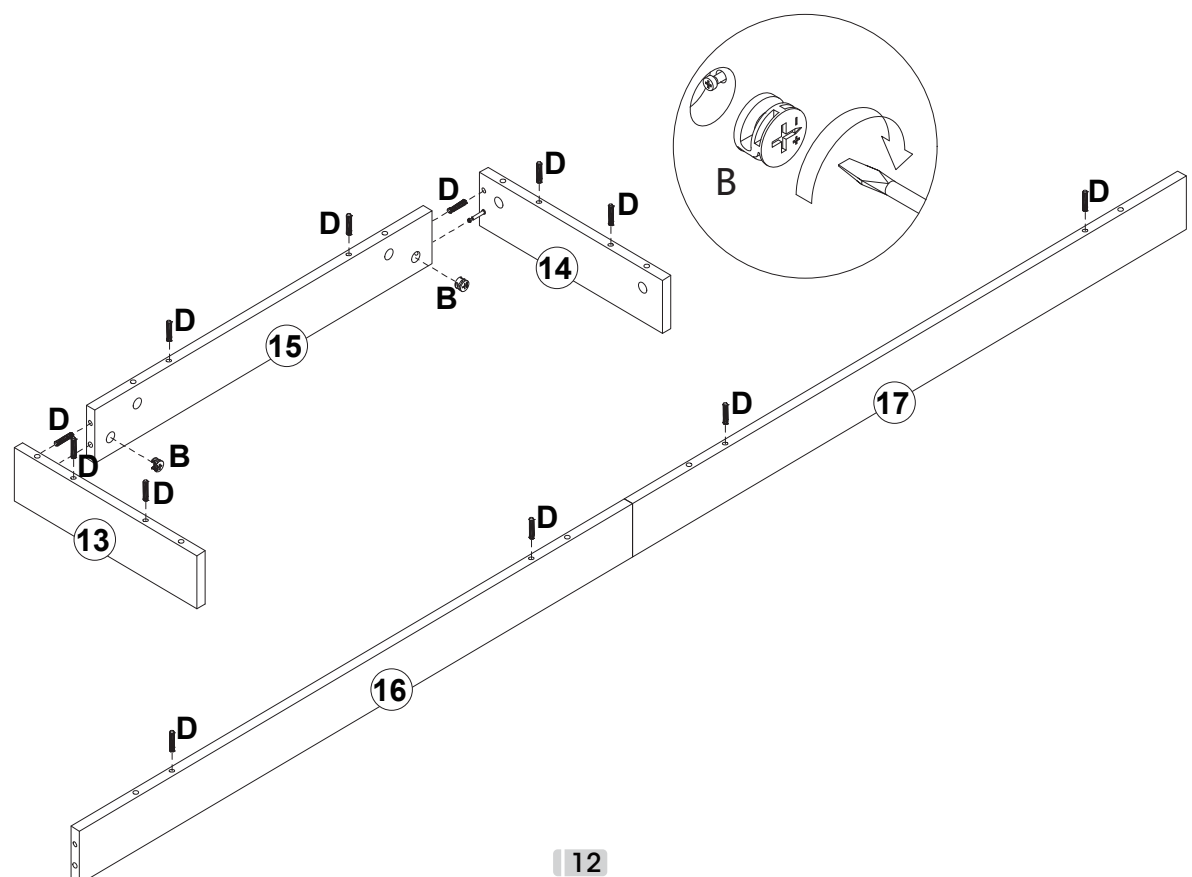
7



9



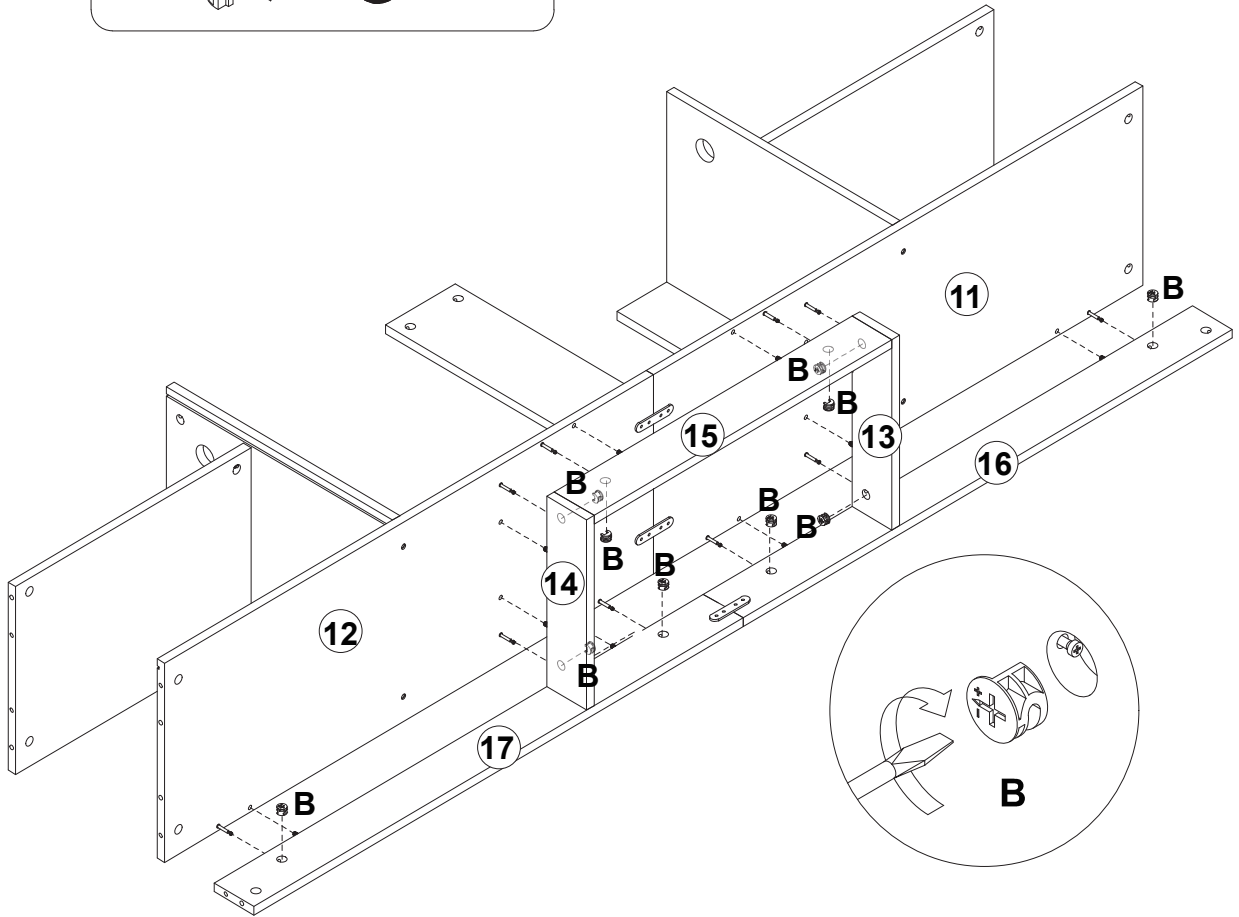
10



11



**B** x10



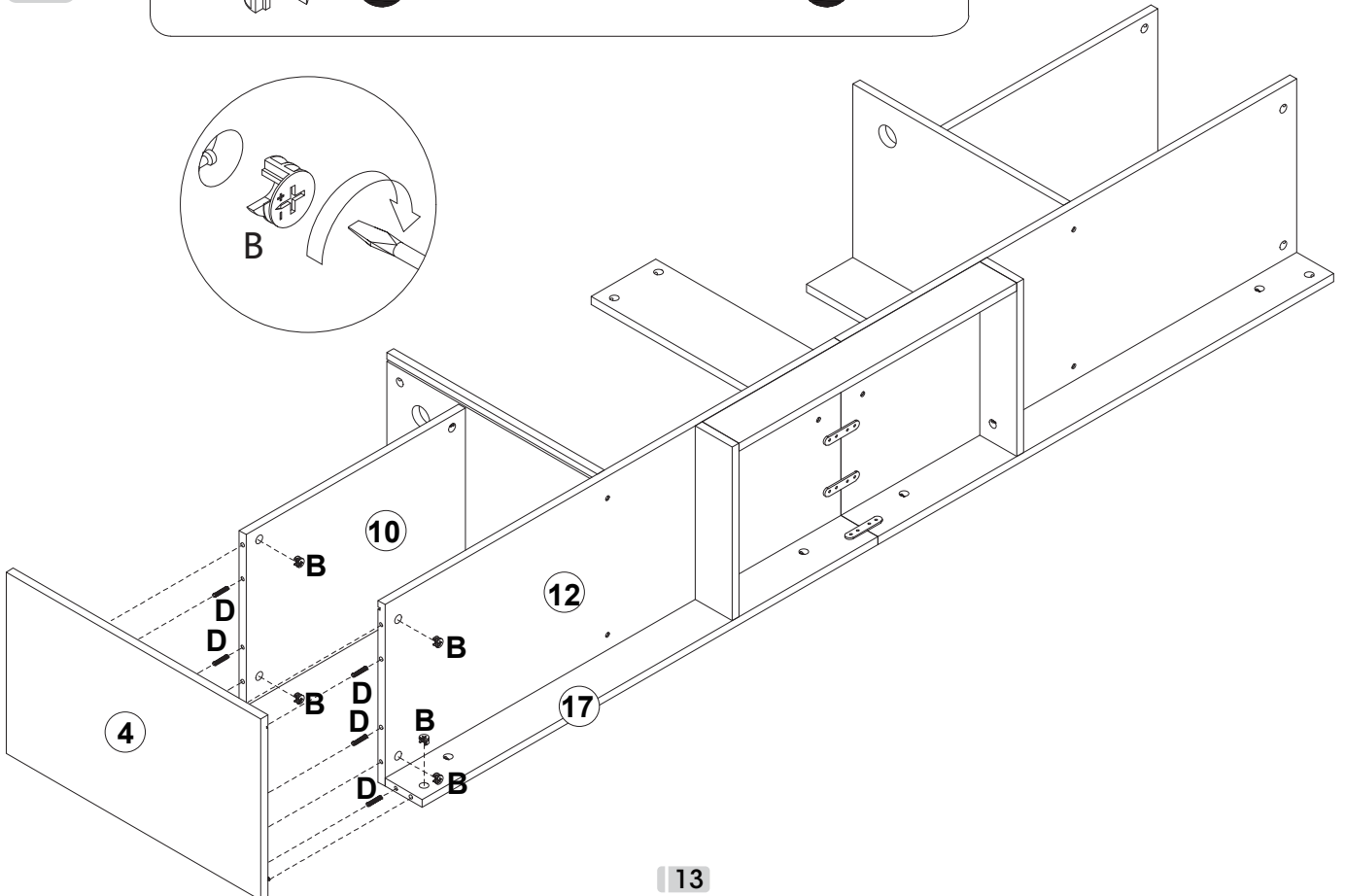
12



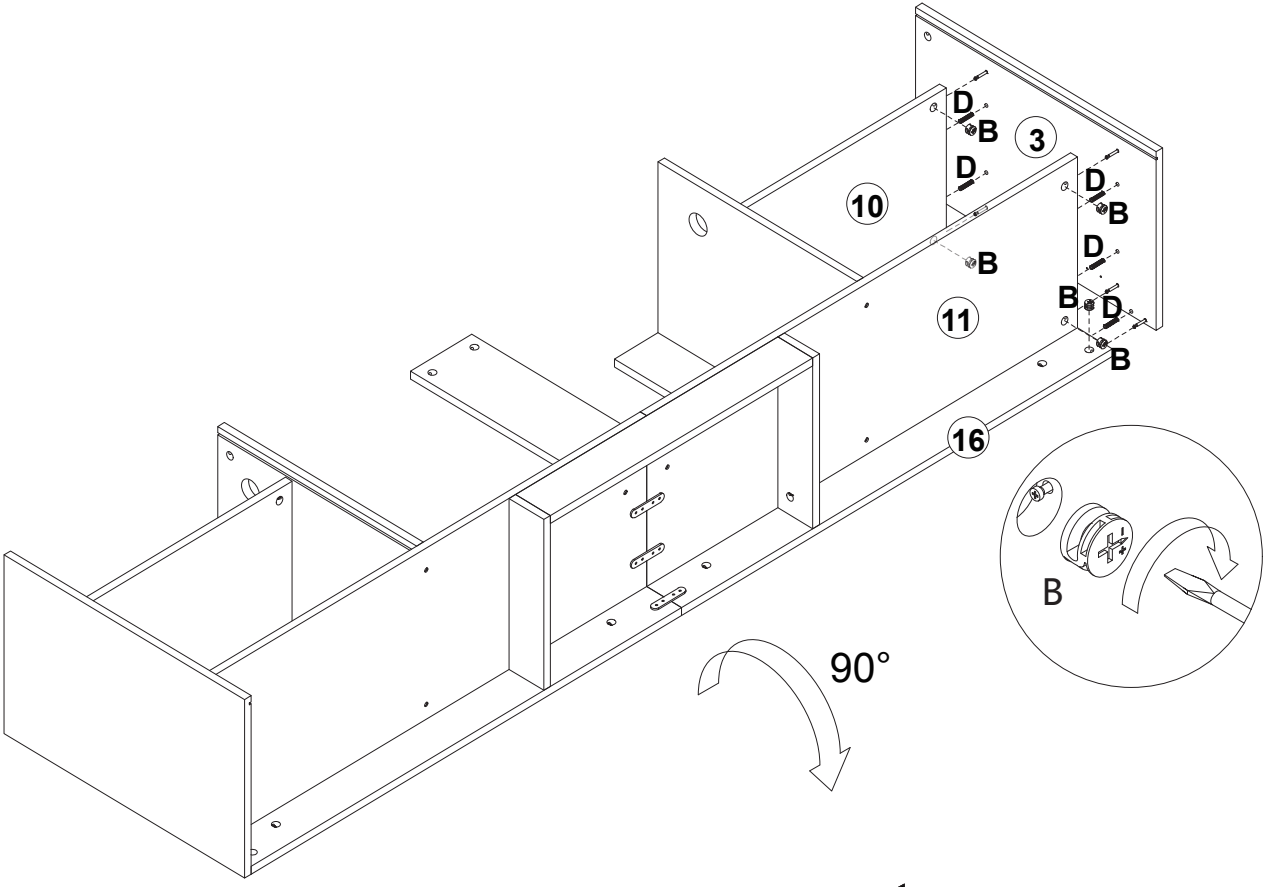
**B** x5



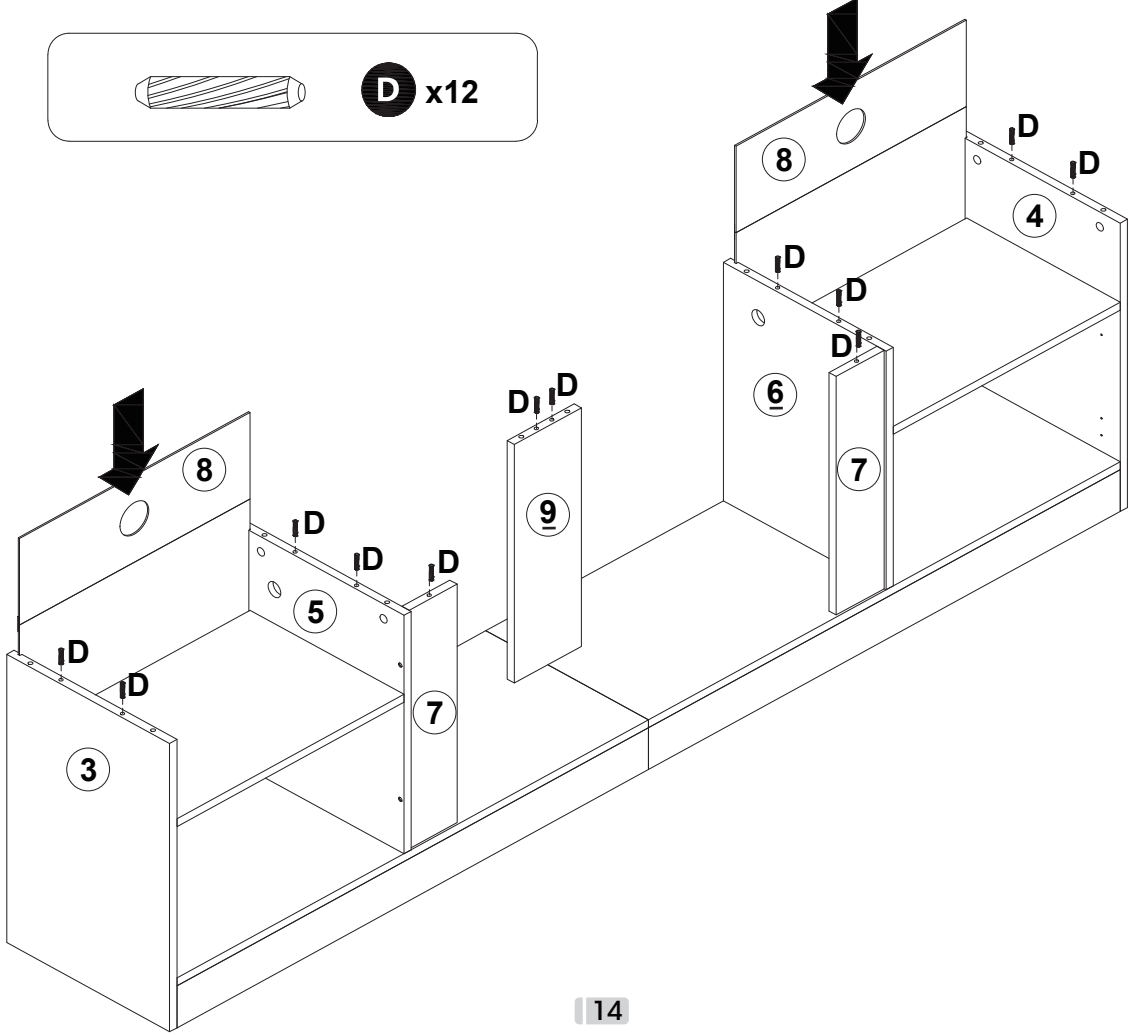
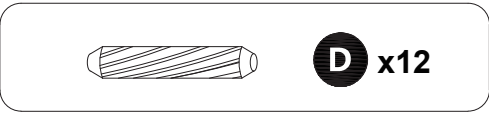
**D** x5



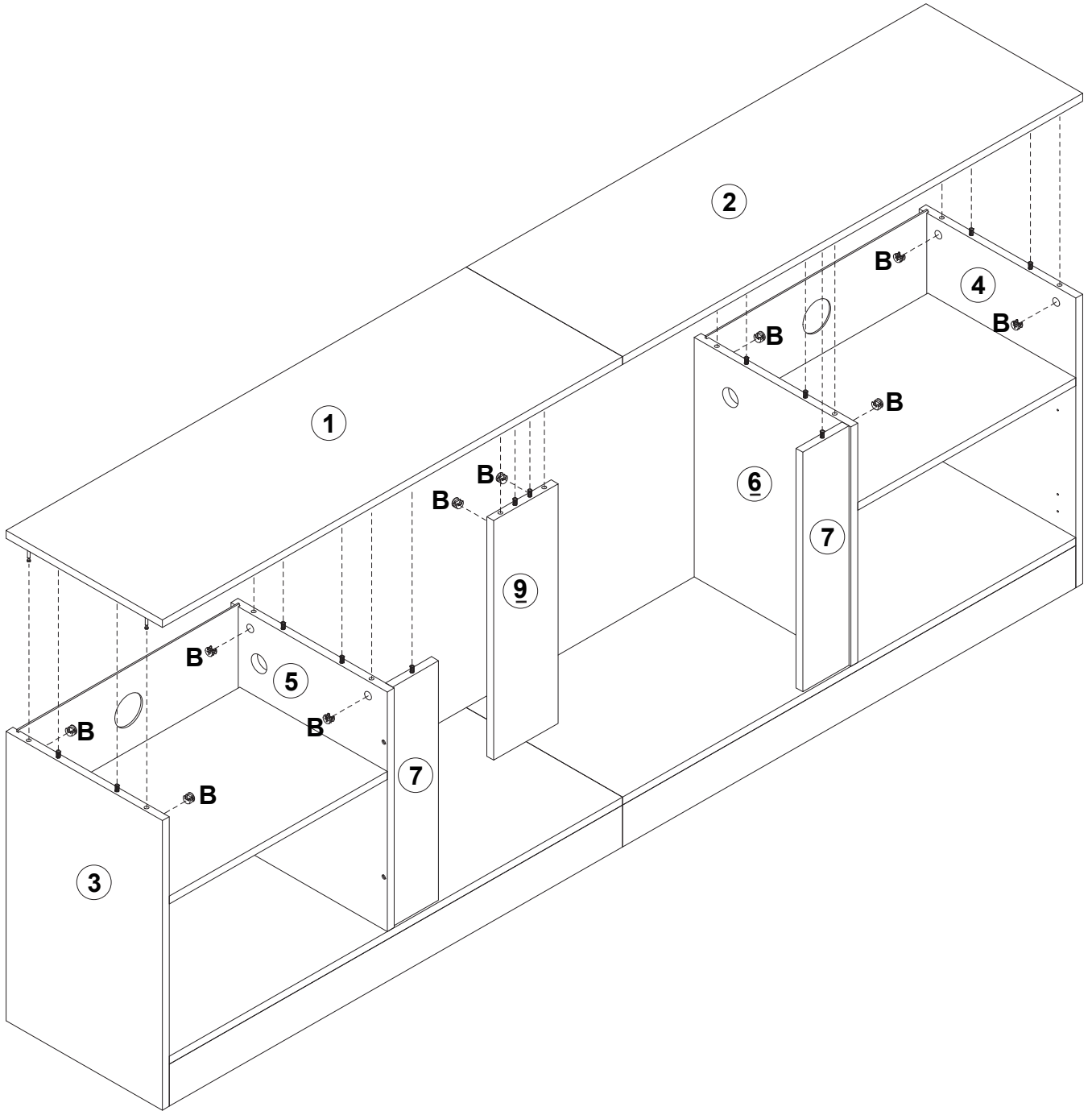
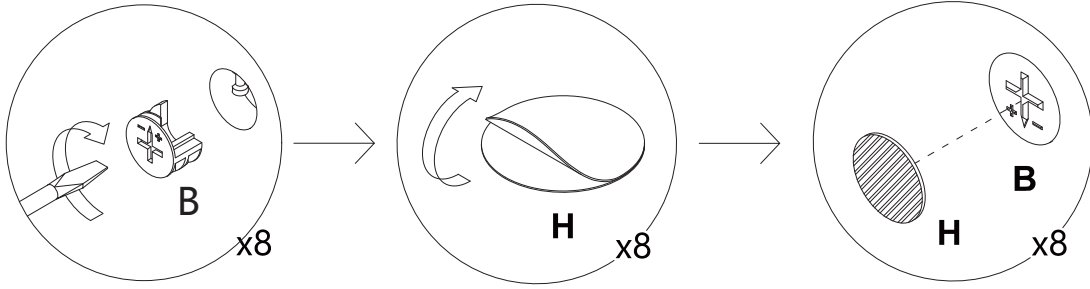
13



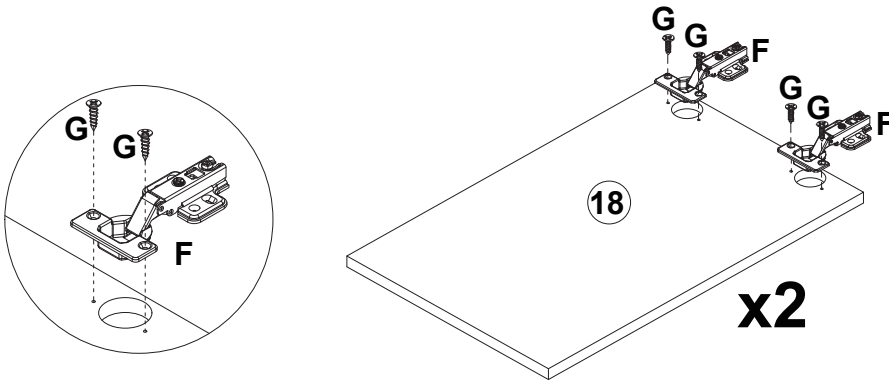
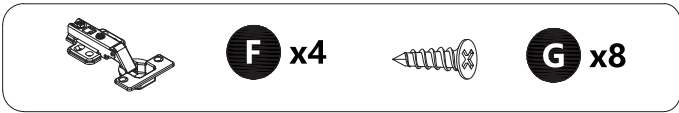
14



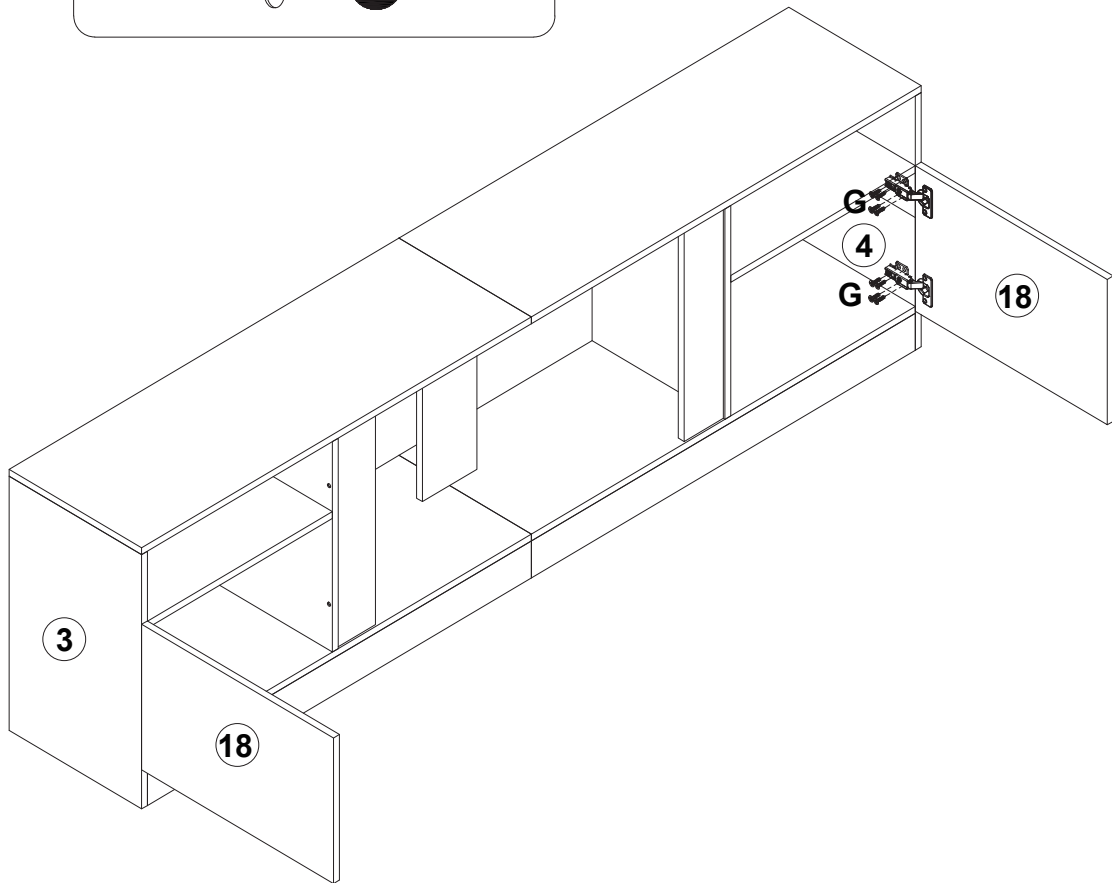
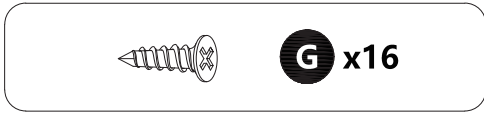
15



16



17

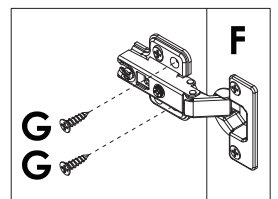
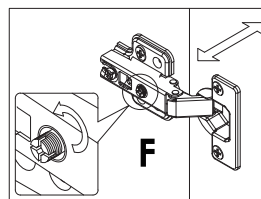
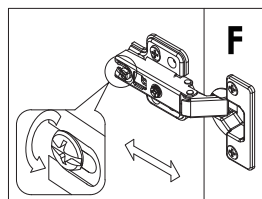
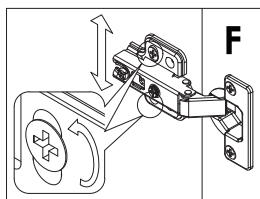
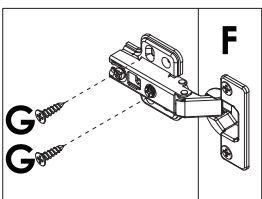


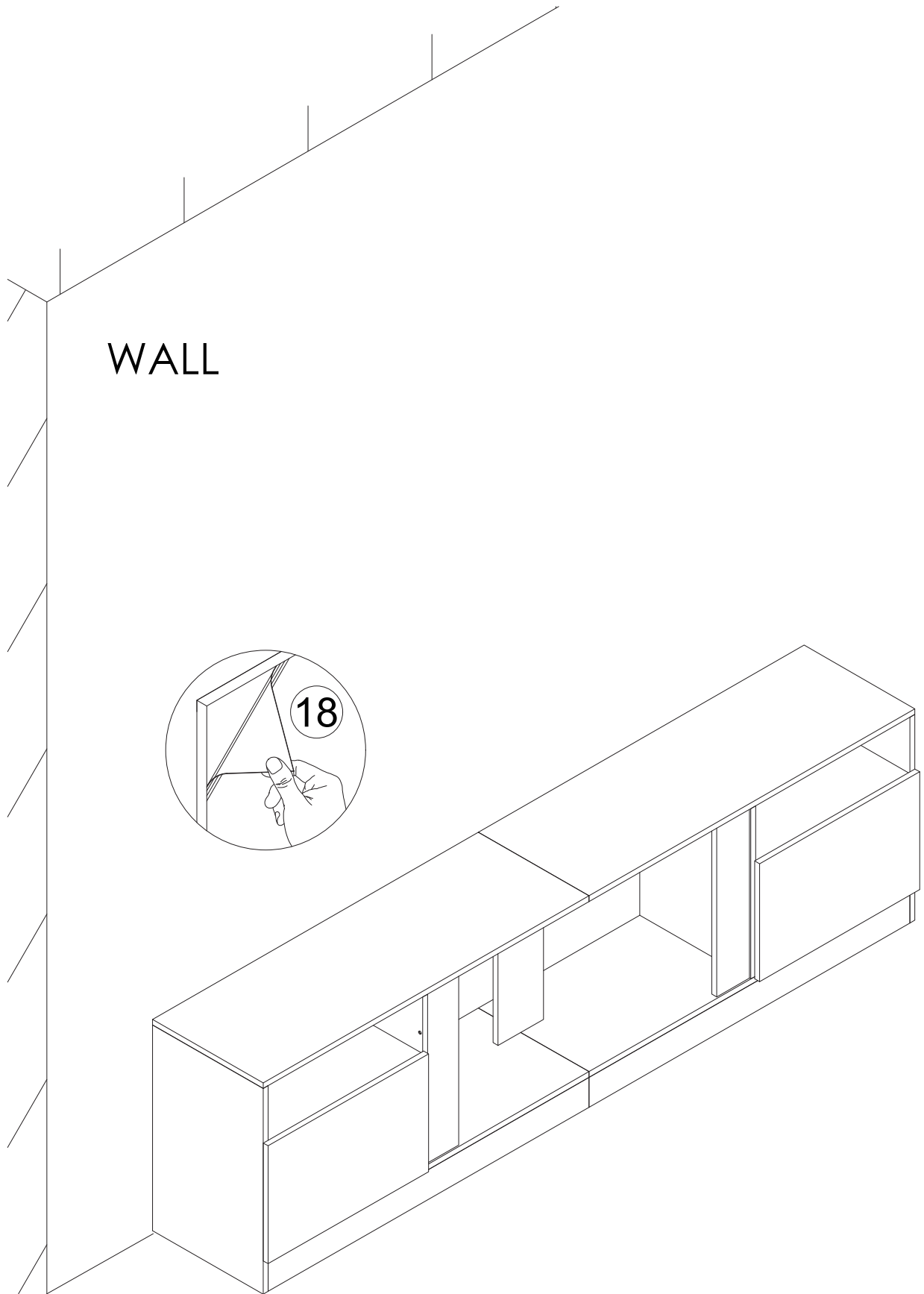
step1

step2

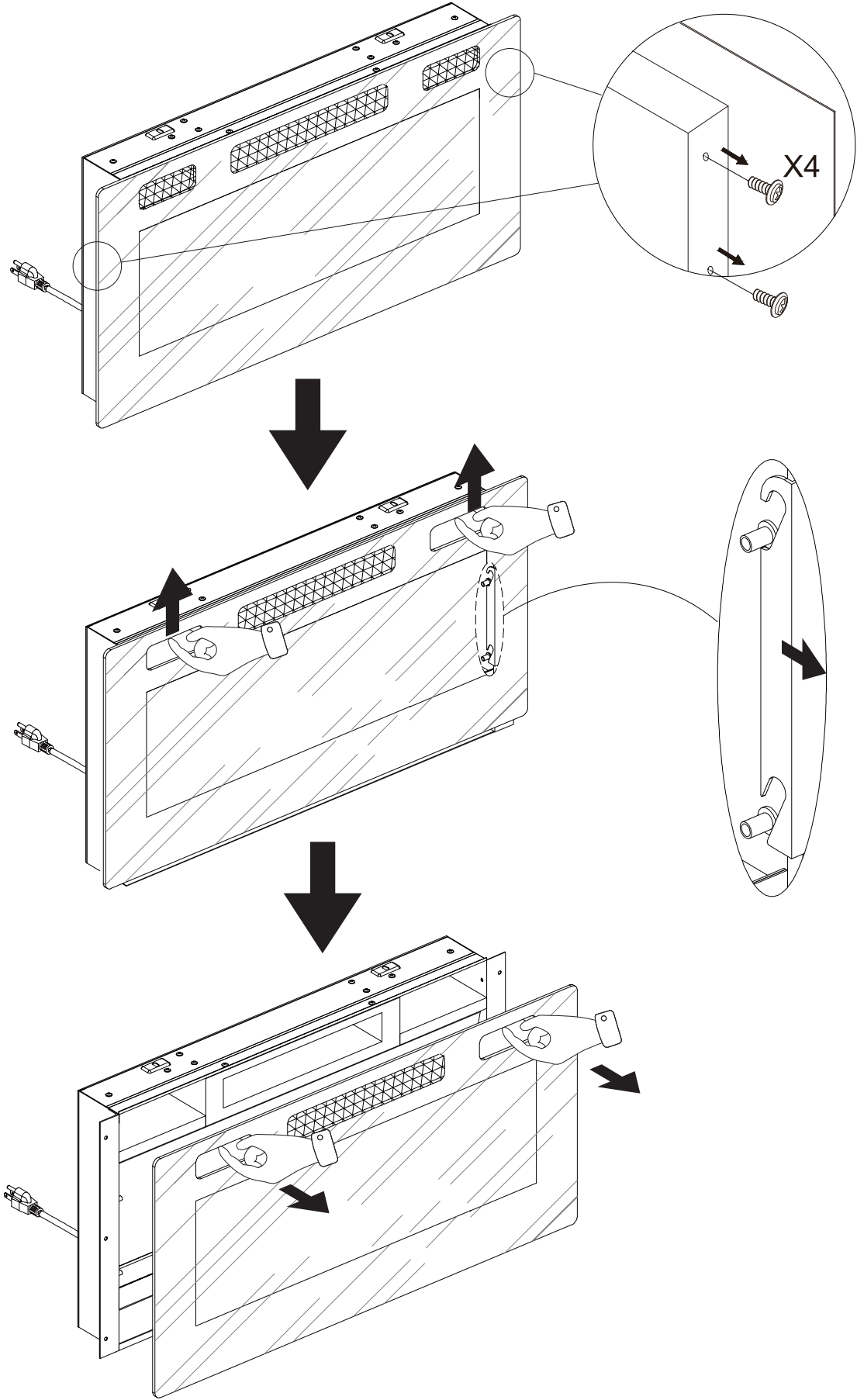
step3

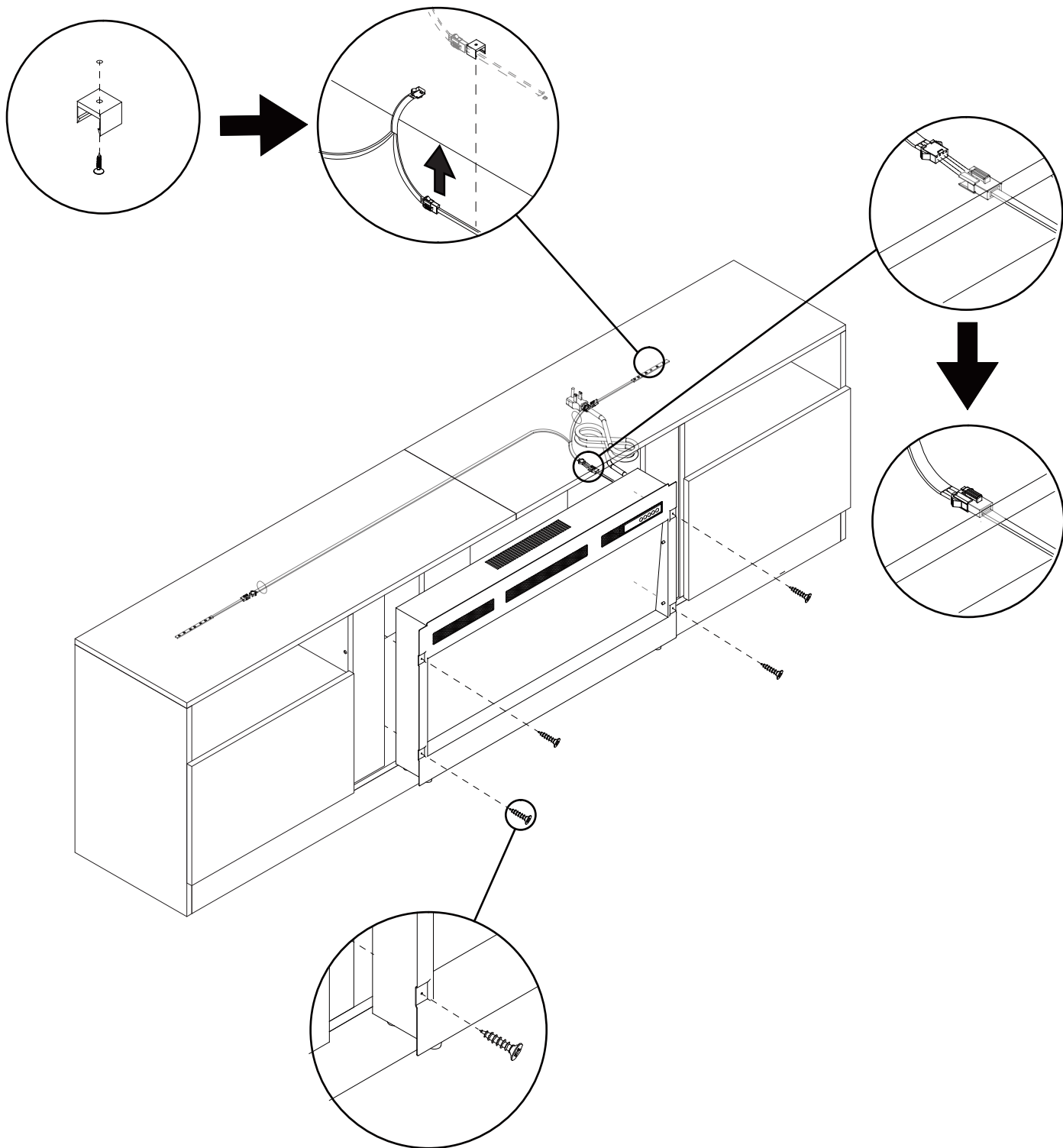
step4



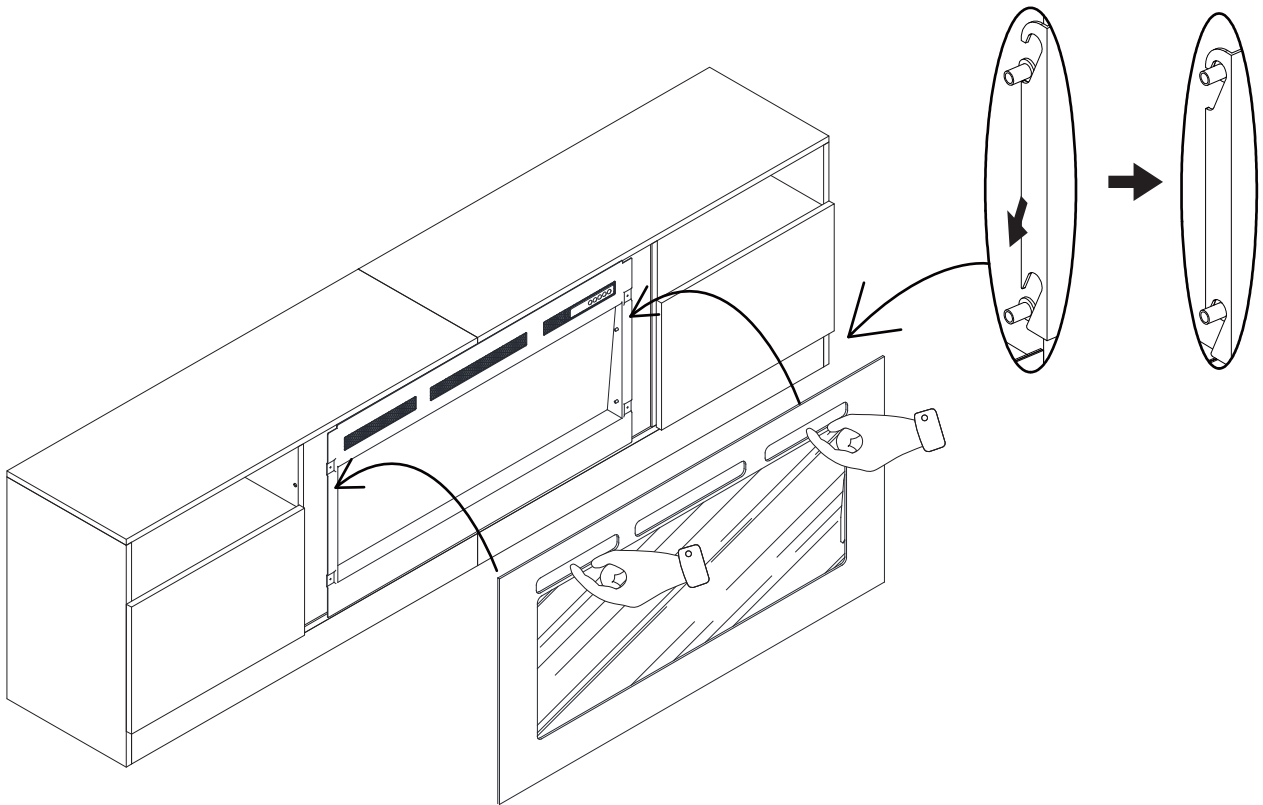


If you have purchased a fireplace, here are the steps to install it onto the TV Stand





21



22

