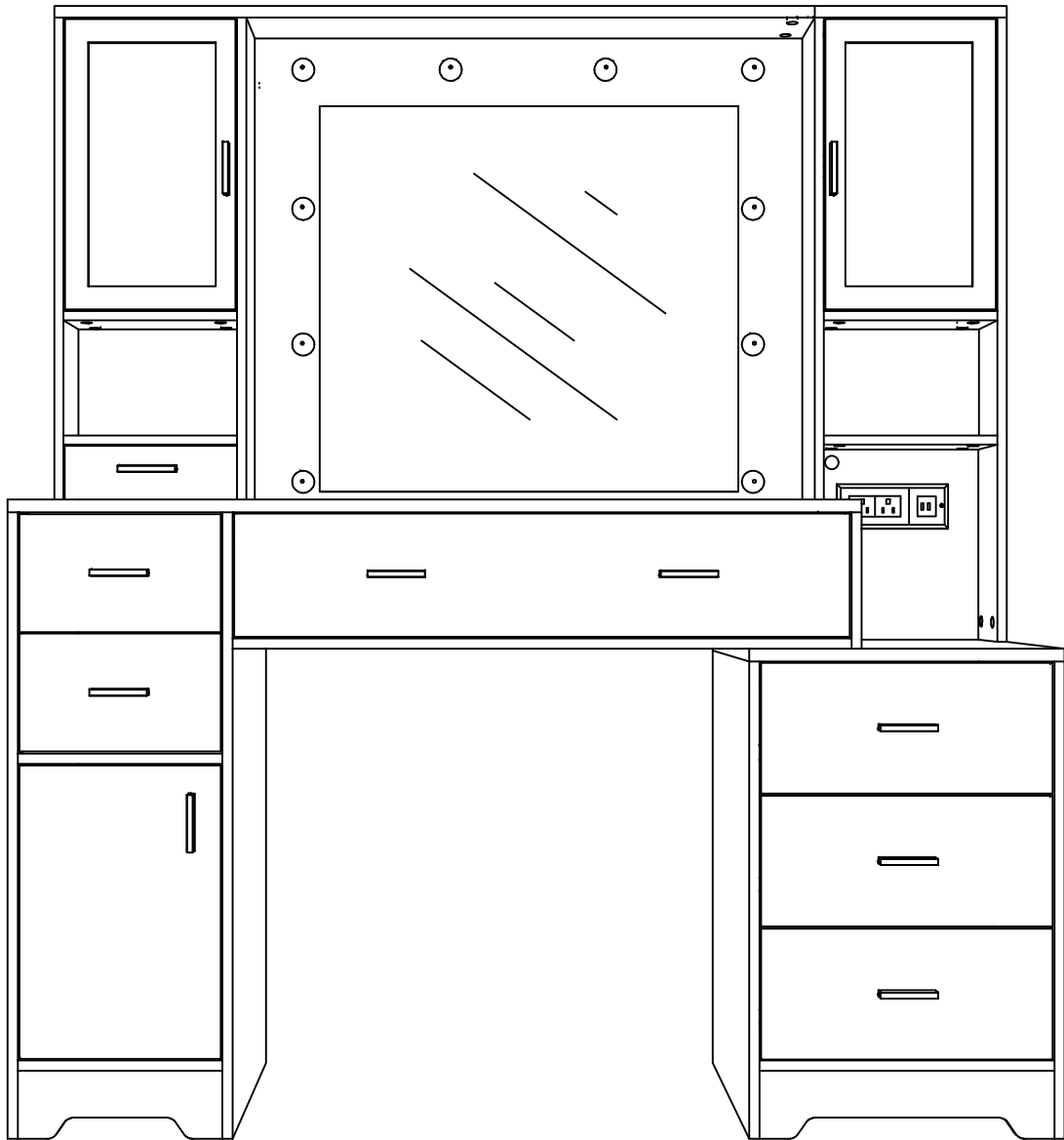
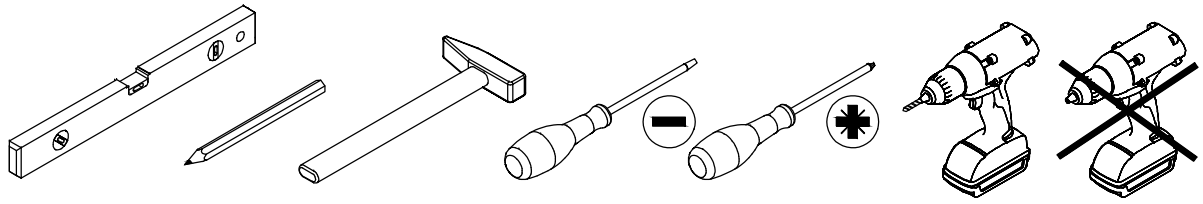
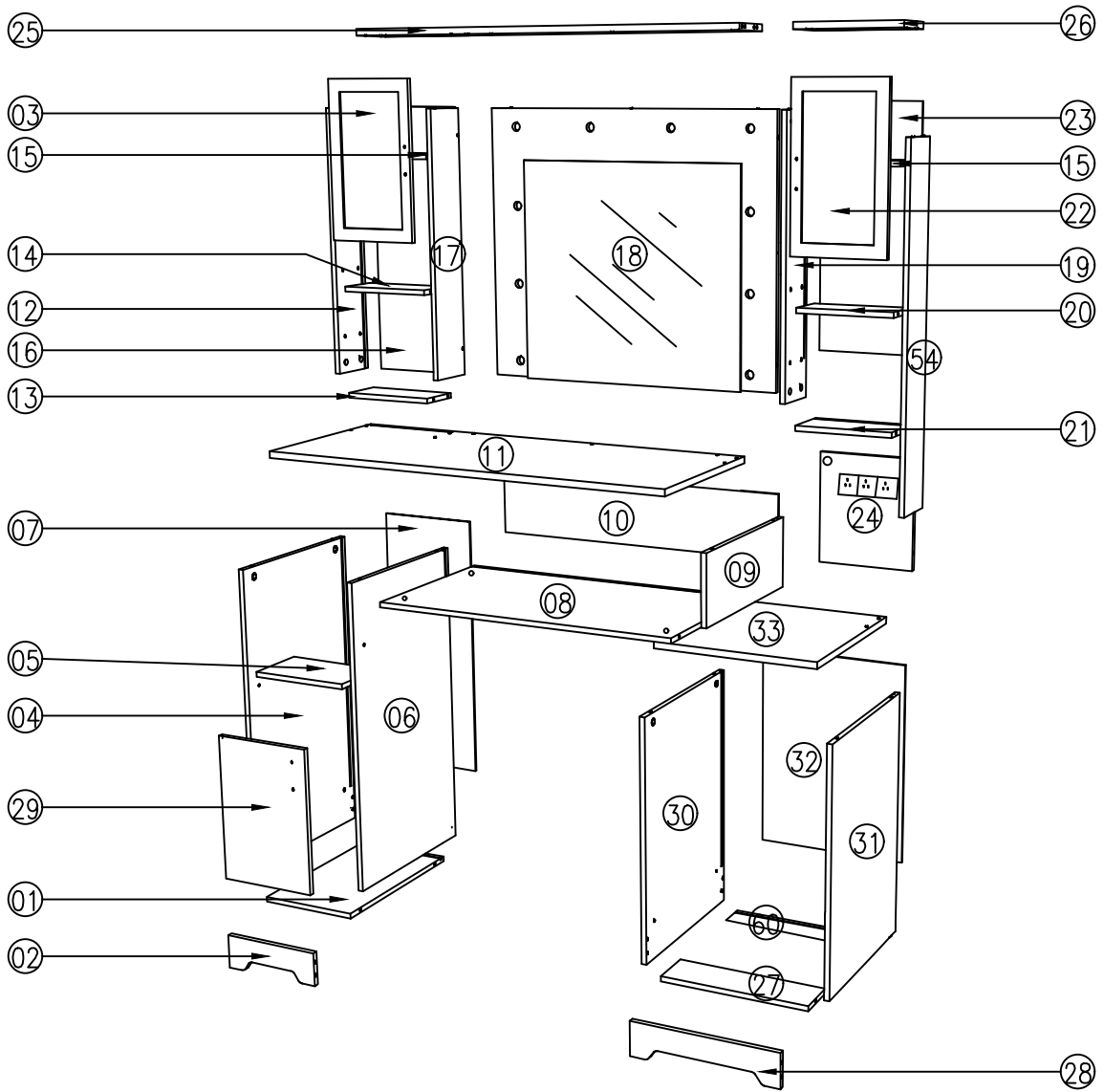
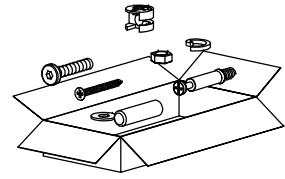


INSTALLATION & ASSEMBLY









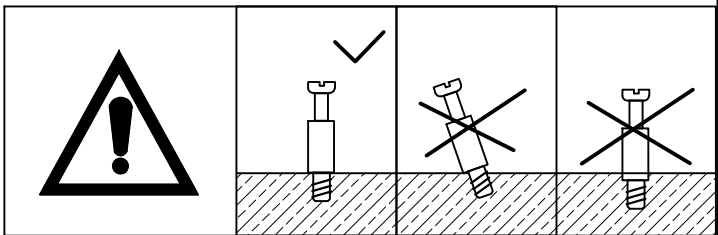
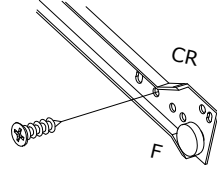
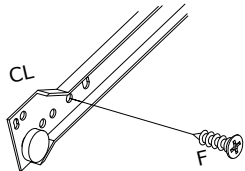
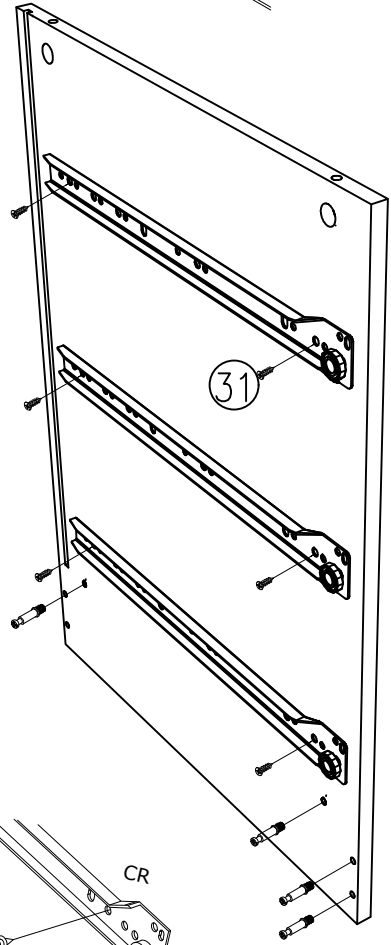
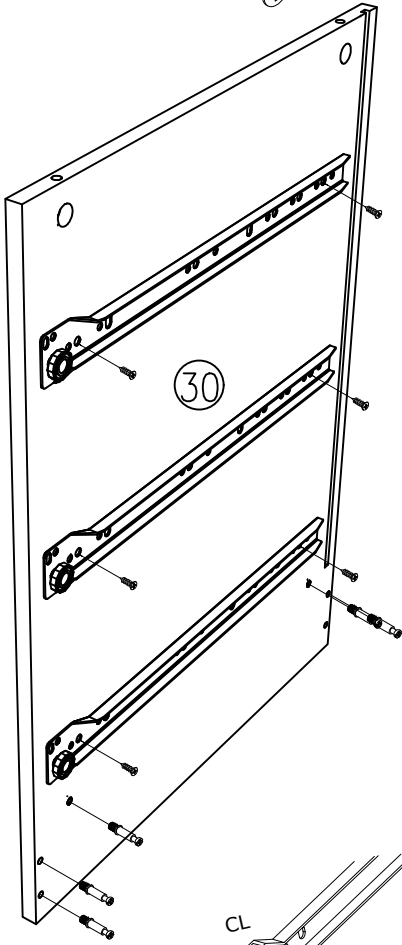
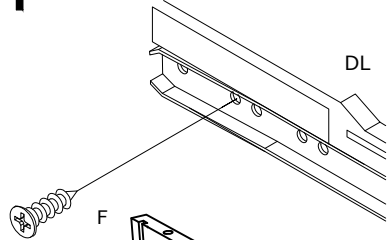
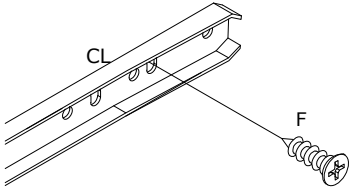
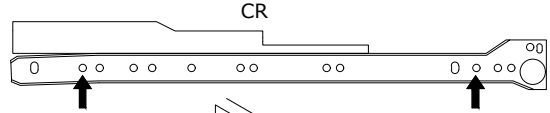
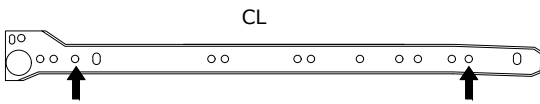


<p>A x 114</p>  <p>M6x25mm</p>	<p>B x 118</p>  <p>Ø12x10mm</p>	<p>CL x 6</p>  <p>350mm</p>	<p>CR x 6</p>  <p>350mm</p>
<p>DL x 6</p>  <p>350mm</p>	<p>DR x 6</p>  <p>350mm</p>	<p>E x 20</p>  <p>15x15x9mm</p>	<p>F x 88</p>  <p>Ø3.5x12mm</p>
<p>G x 30</p>  <p>Ø3.5x25mm</p>	<p>H x 2</p>  <p>120x15mm</p>	<p>I x 22</p>  <p>Ø3x18mm</p>	<p>J x 1</p>  <p>150x60mm</p>
<p>K x 10</p>  <p>30x15mm</p>	<p>L x 3</p>  <p>30x12mm</p>	<p>M x 8</p>  <p>10x12mm</p>	<p>N x 2</p>  <p>M6x48mm</p>
<p>D x 11</p>  <p>64x10mm</p>	<p>C x 6</p>  <p>M6x18mm</p>		

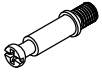







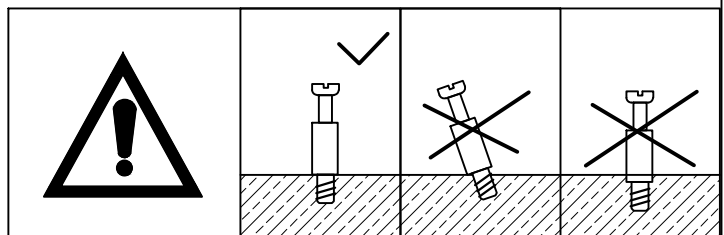
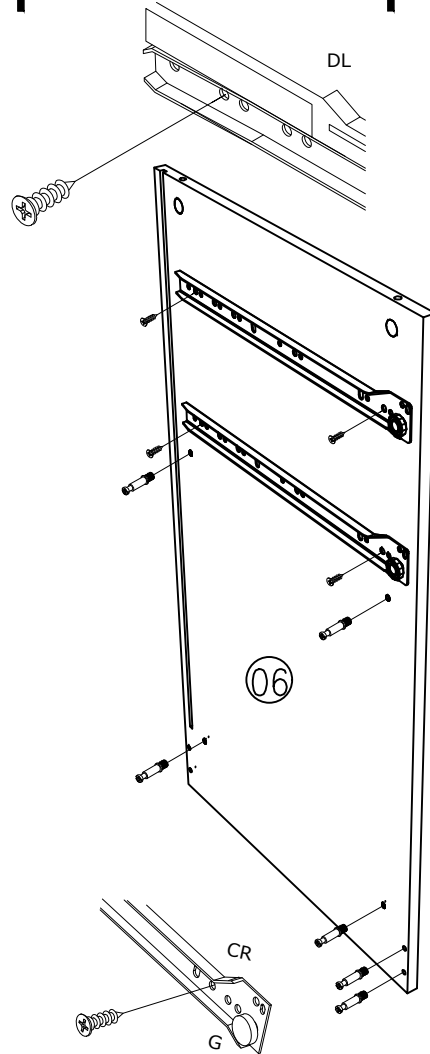
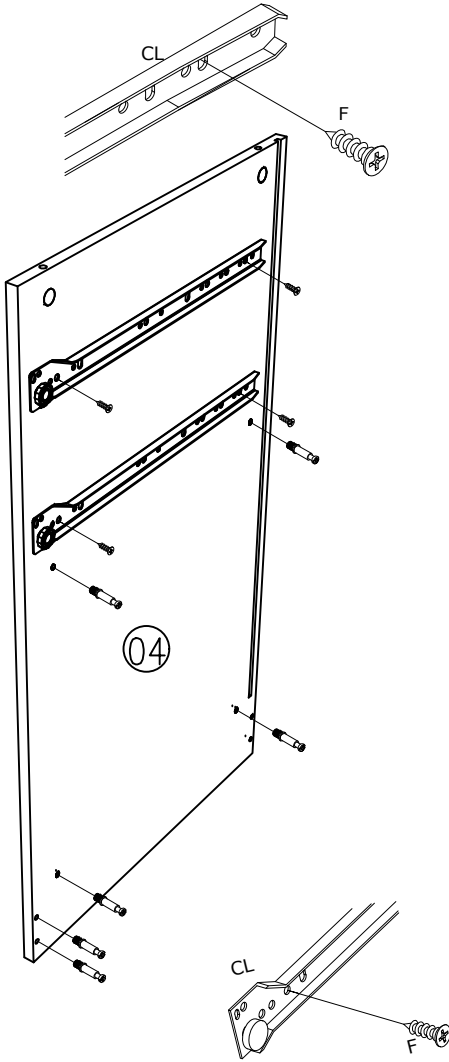
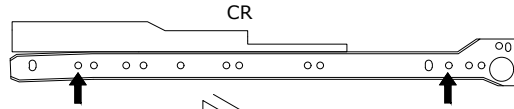
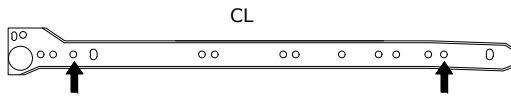
1

A x12  M6x25	F x24  Ø3.5x12 mm	CL x3  350mm	CR x3  350mm	 
---	--	---	---	---









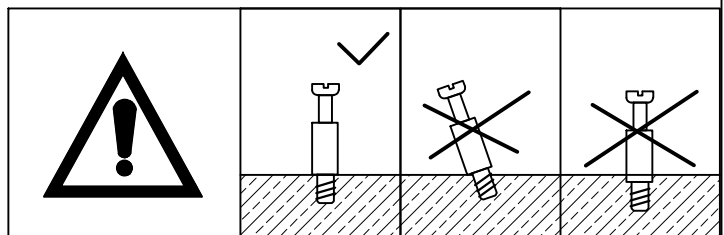
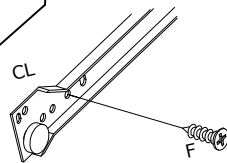
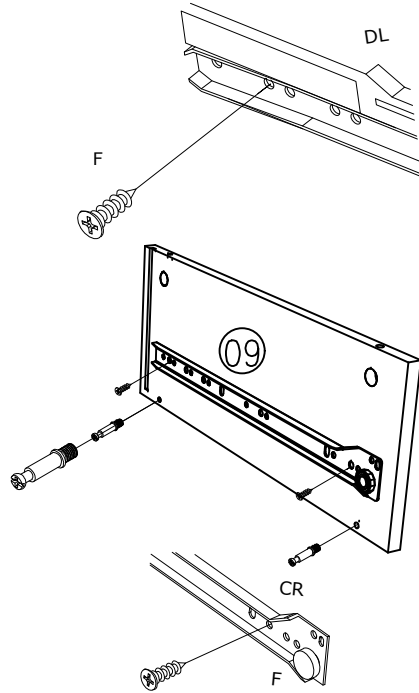
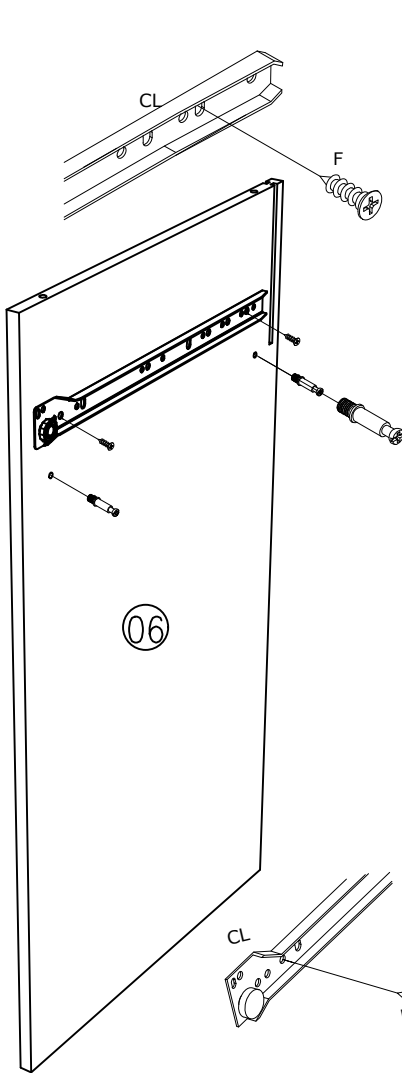
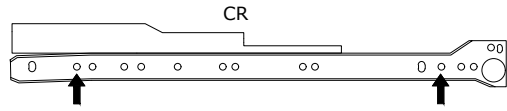
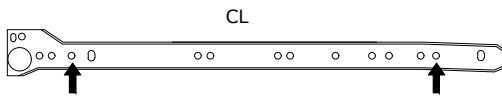
2

A x16  M6x25	F x16  Ø3.5x12 mm	CL x2  350mm	CR x2  350mm	 
---	--	---	---	---



3

A x4  M6x25	F x8  Ø3.5x12 mm	CL x1  350mm	CR x1  350mm	 
--	---	---	---	---

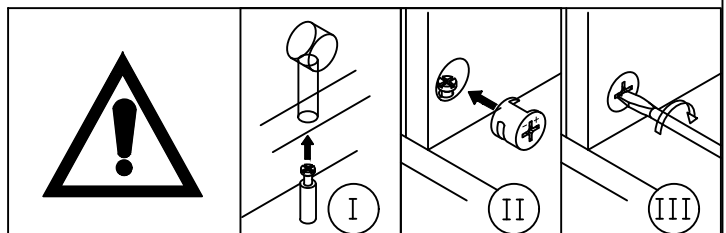
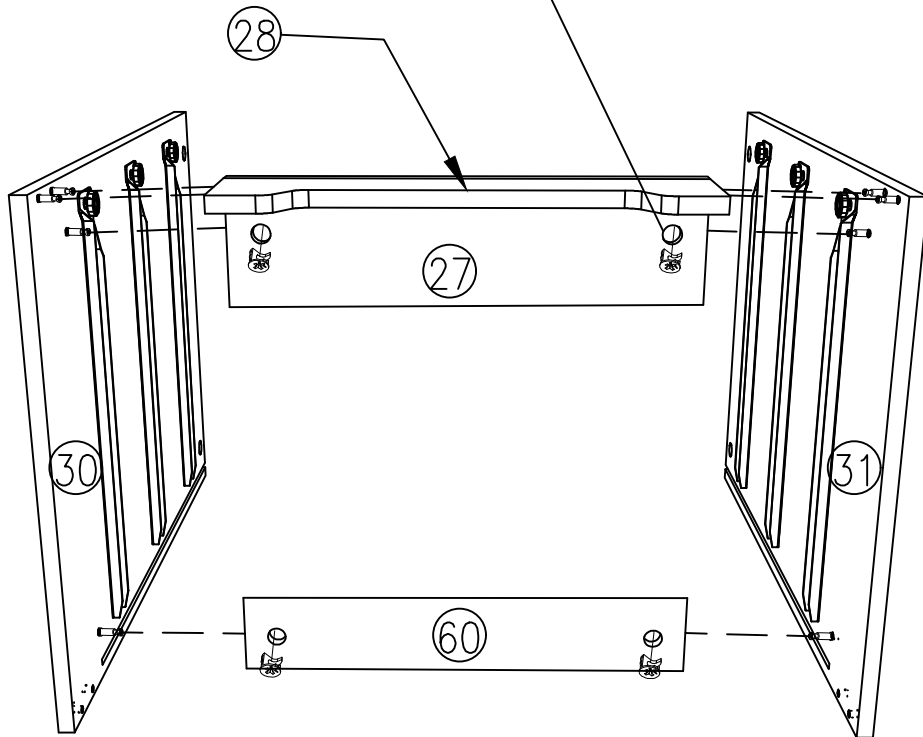
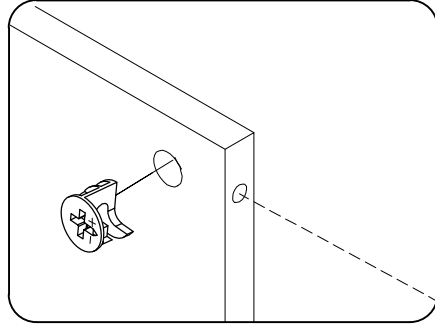
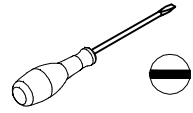


4

B x 12

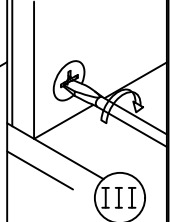
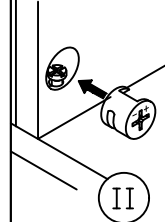
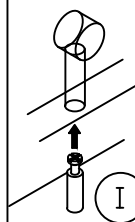
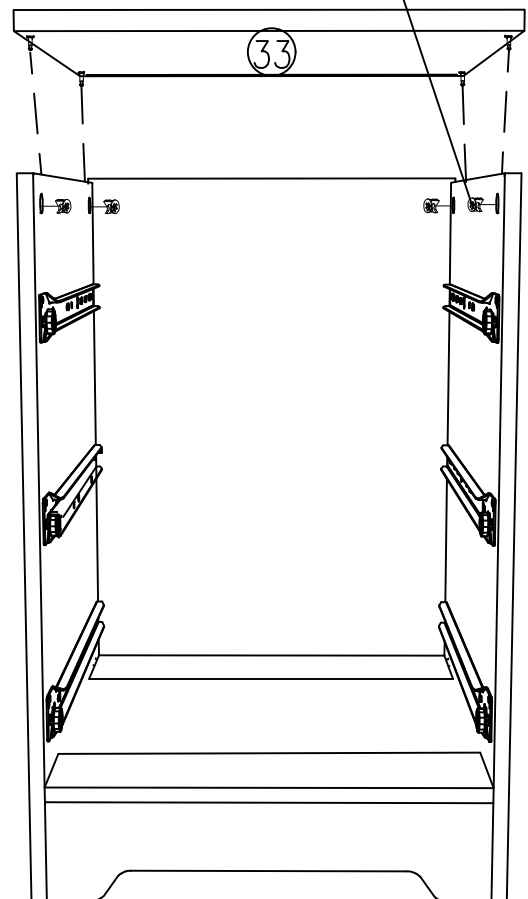
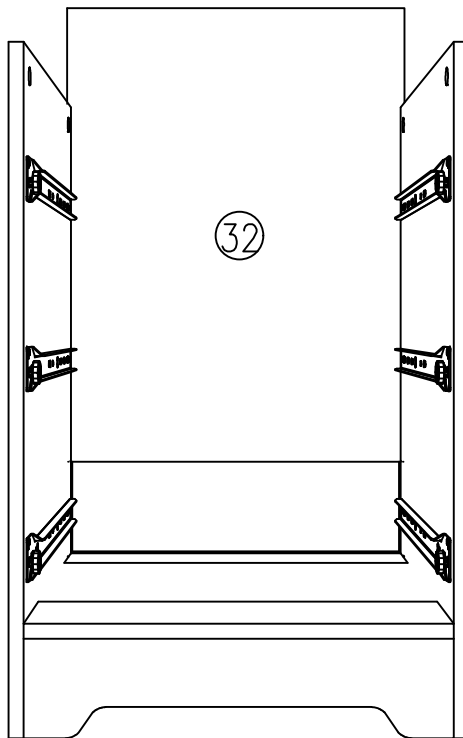
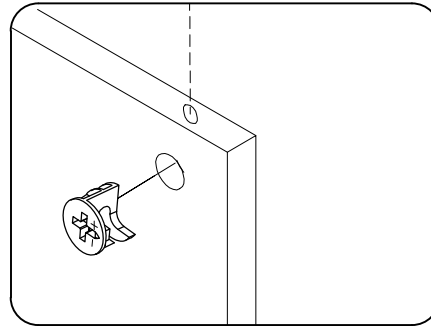
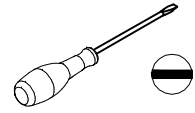


Ø12x10



5

B x 4
Ø12x10

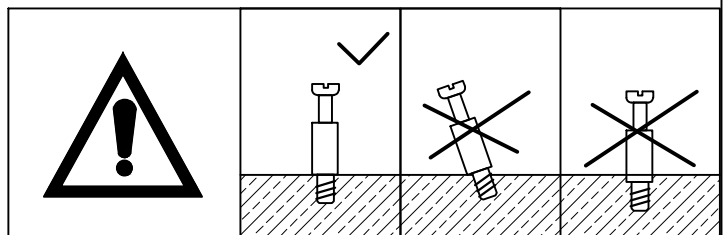
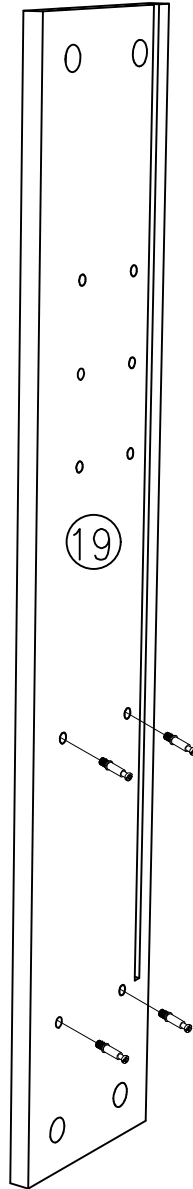
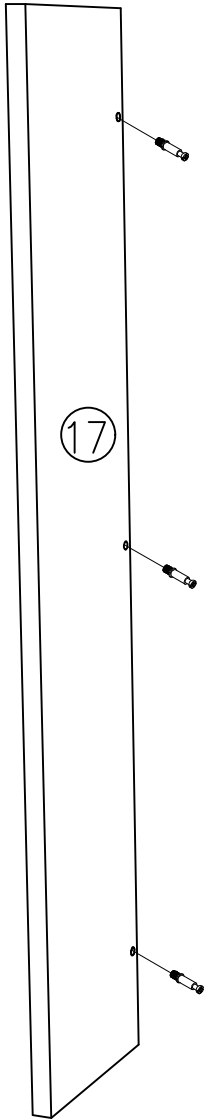


6

A x14

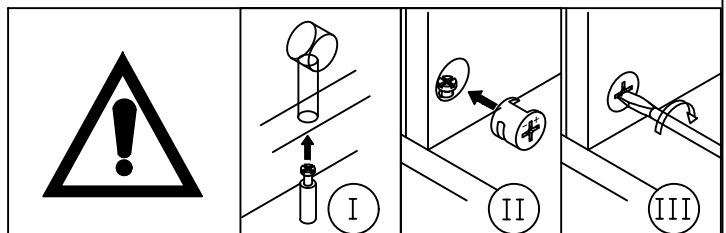
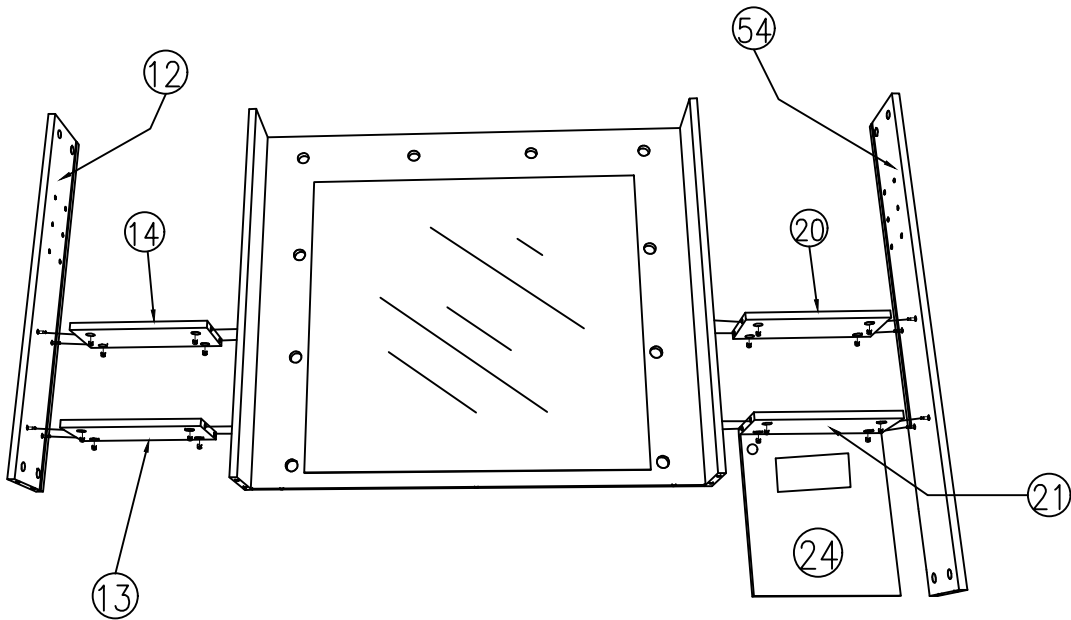
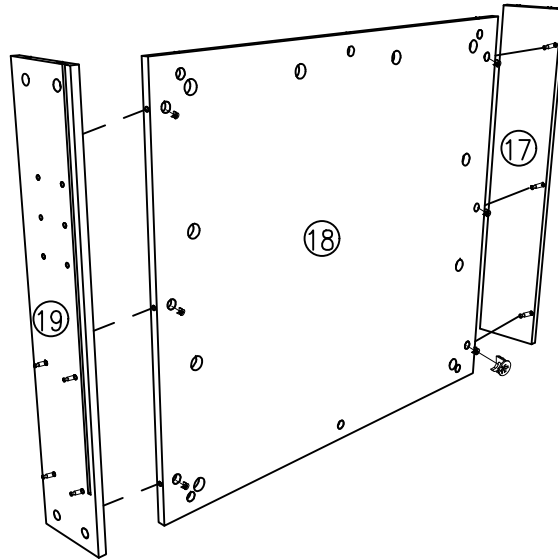
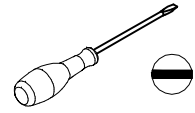


M6x25

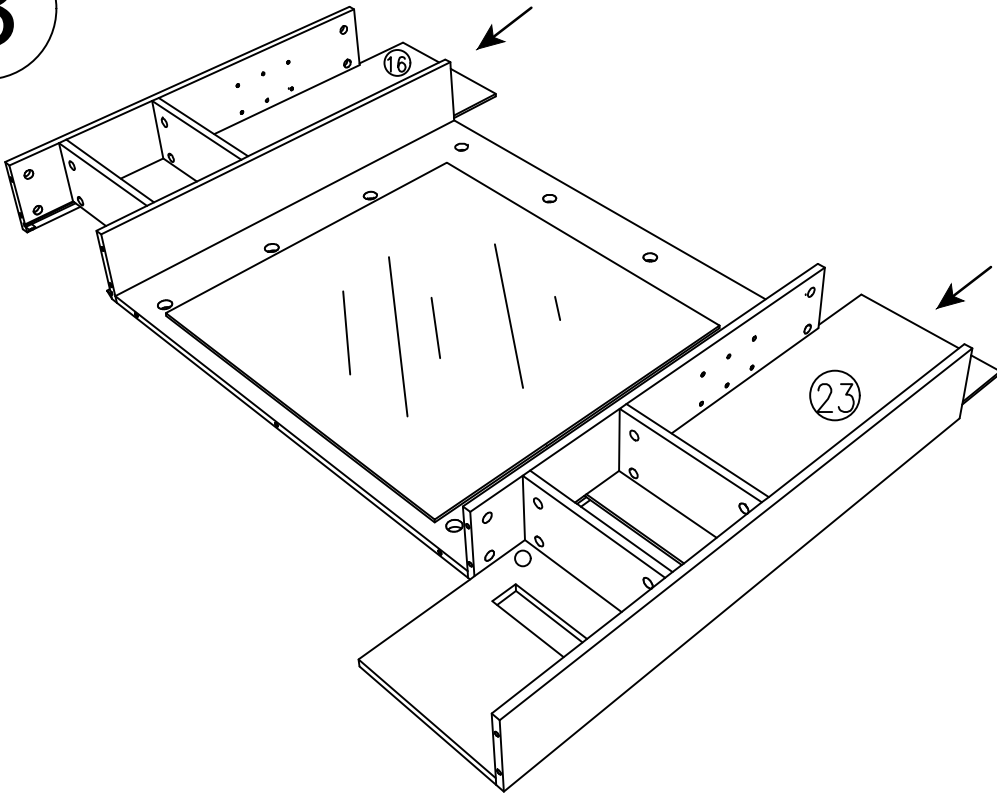


7

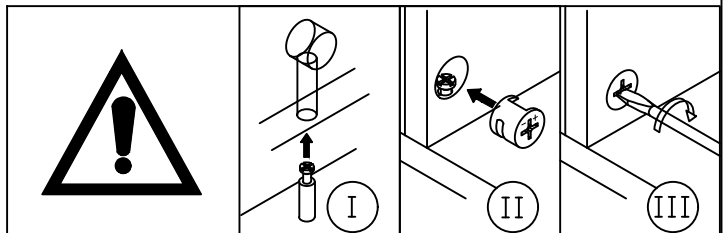
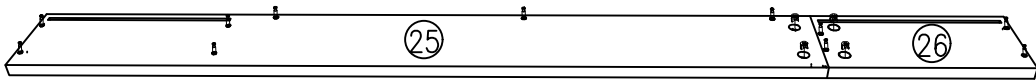
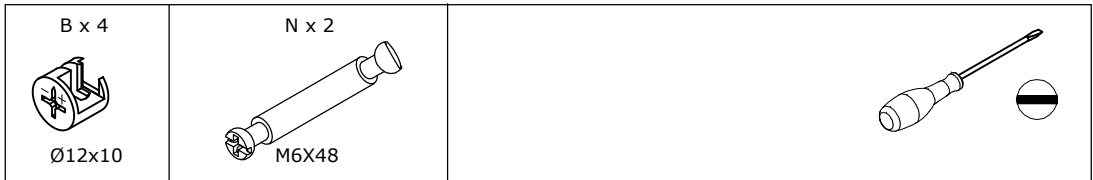
B x 18
Ø12x10




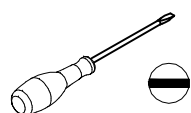

8

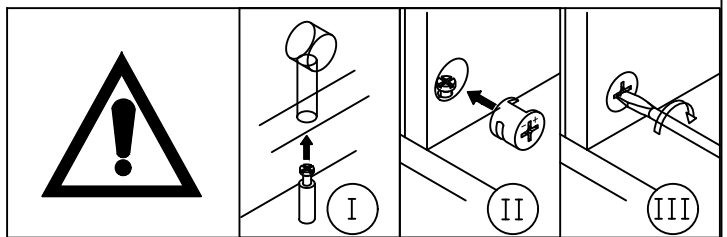
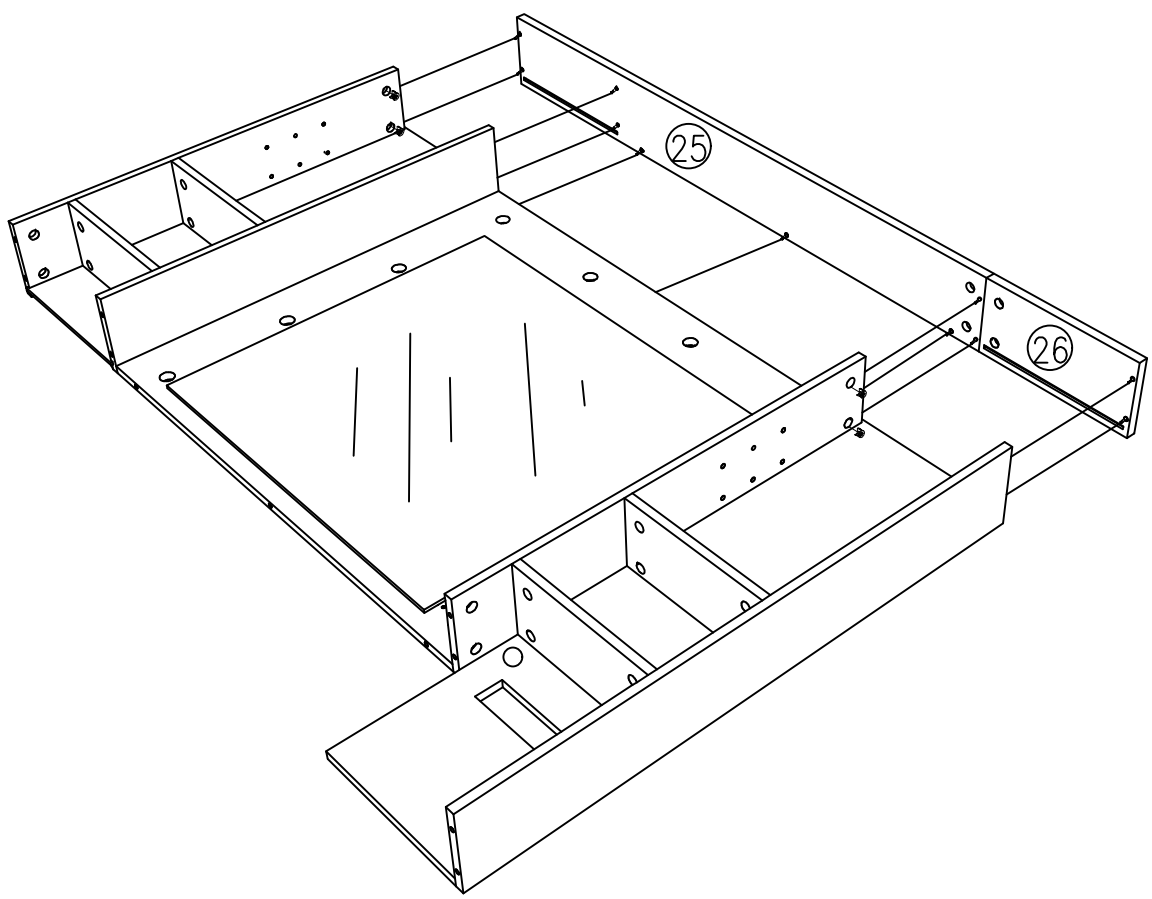


9


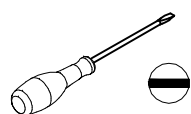


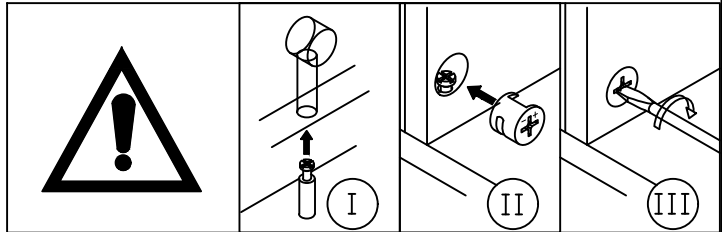
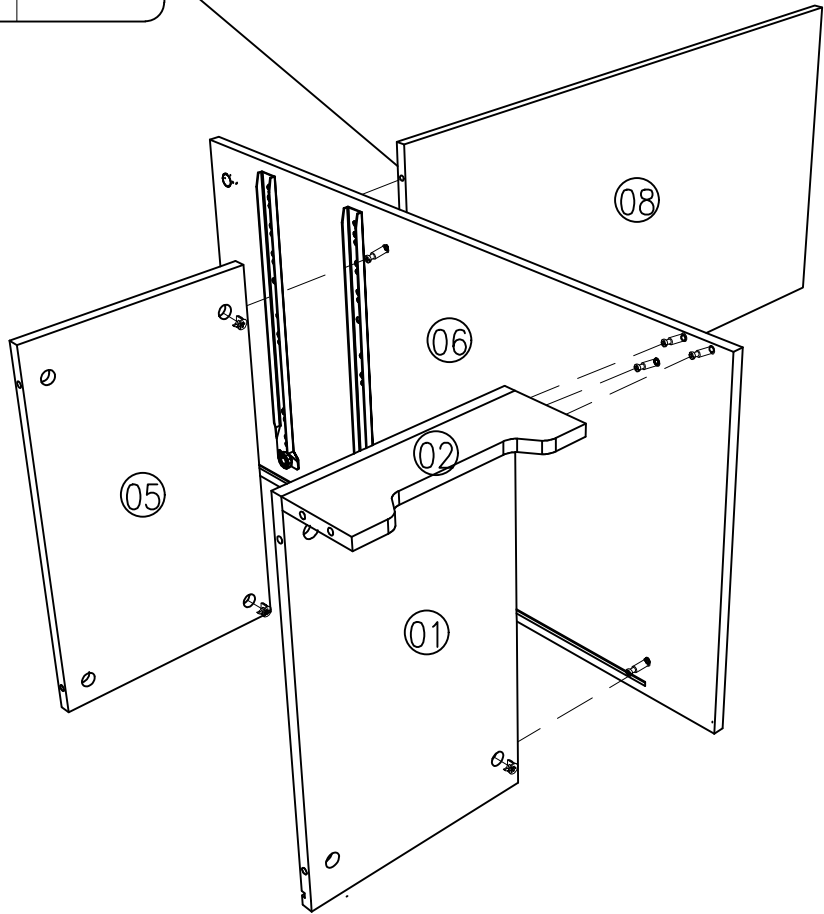
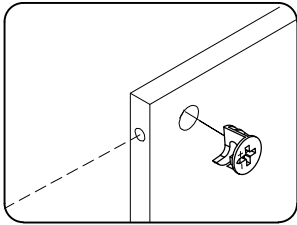
10

<p>B x 12</p>  <p>Ø12x10</p>		 
---	--	---


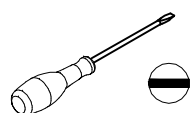


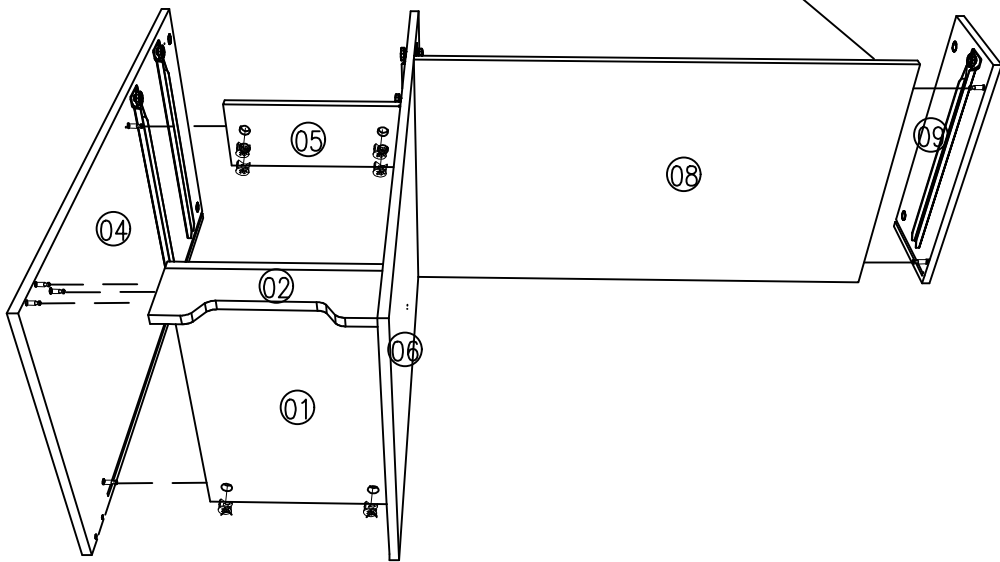
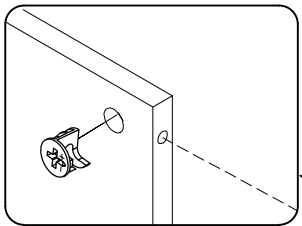
11


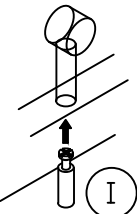
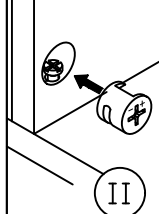
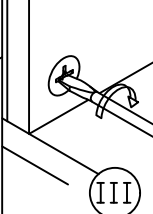
B x 10  Ø12x10			
---	--	--	---



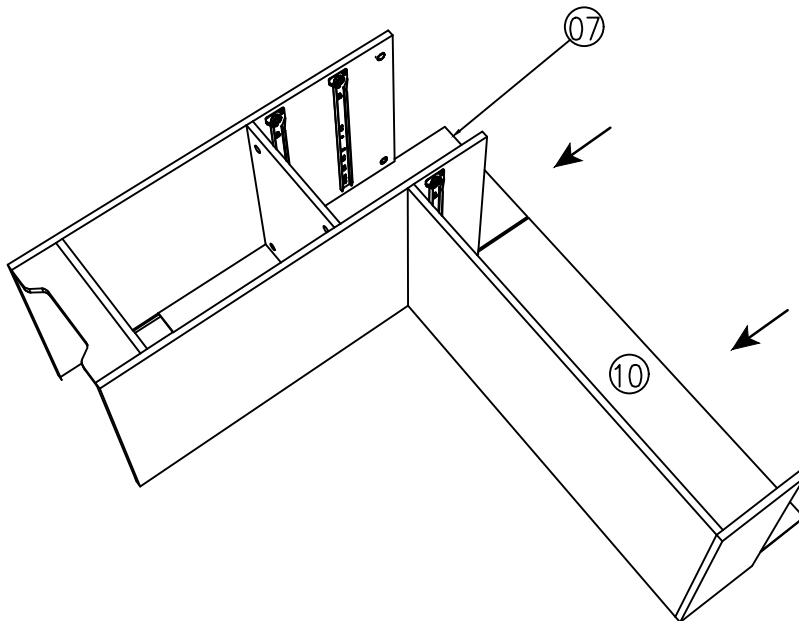
12

B x 10  Ø12x10		
---	--	---

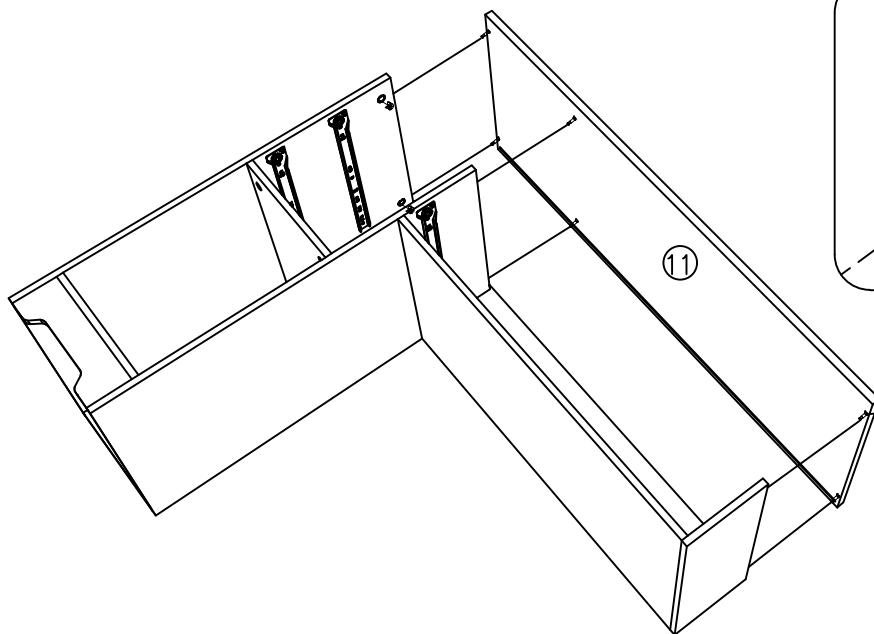
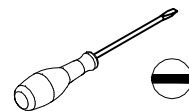
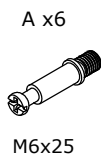
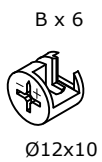


	 I	 II	 III
---	---	---	--

13

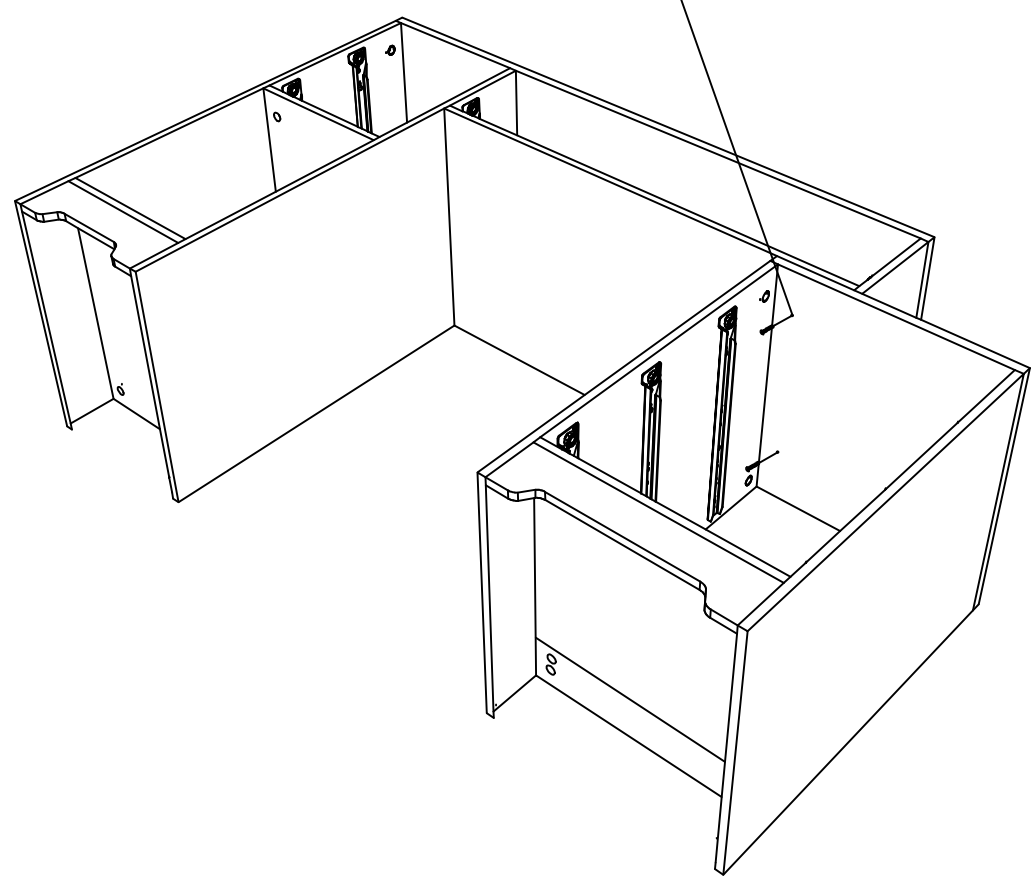
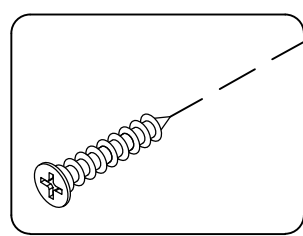
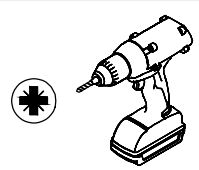
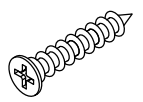


14



15

G x 2
Ø3.5x25mm

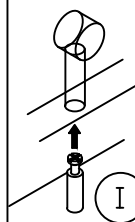
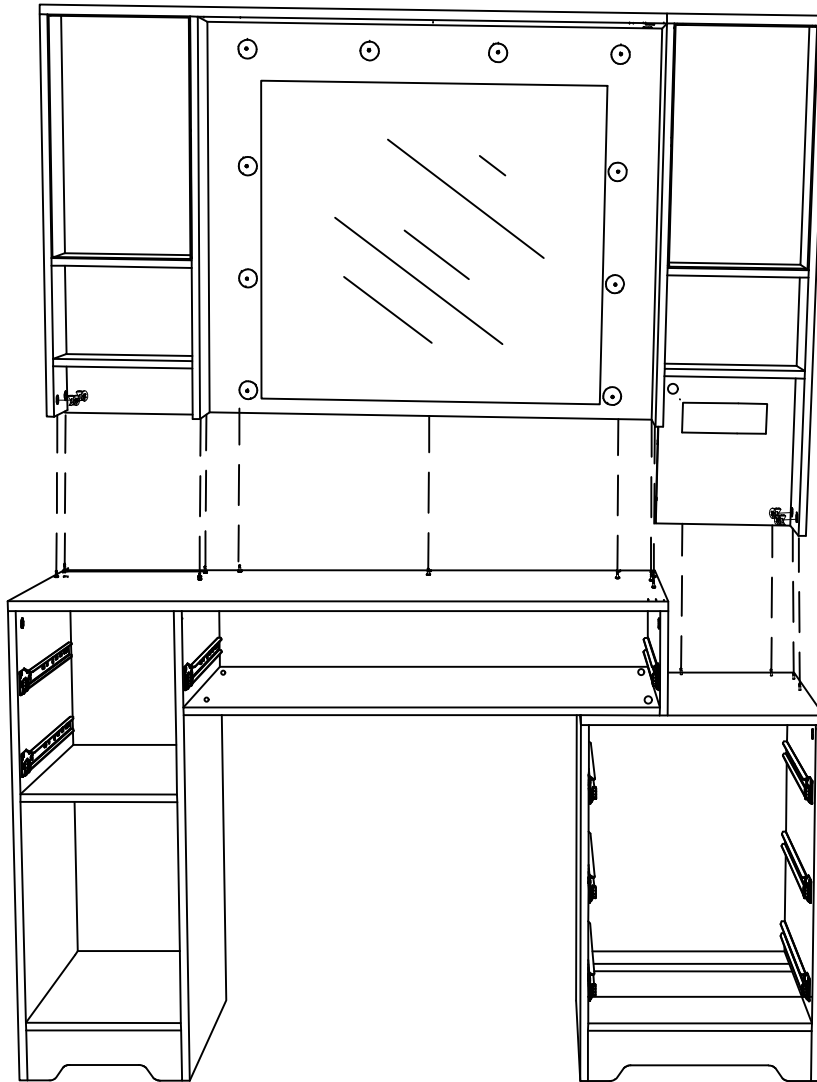
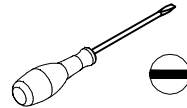


16

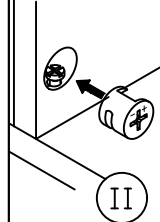
B x 13



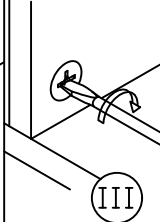
Ø12x10



I

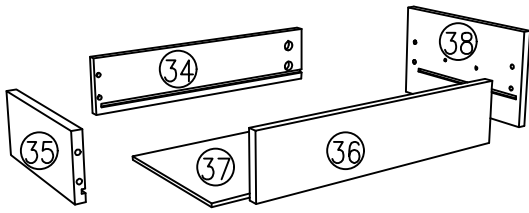


II

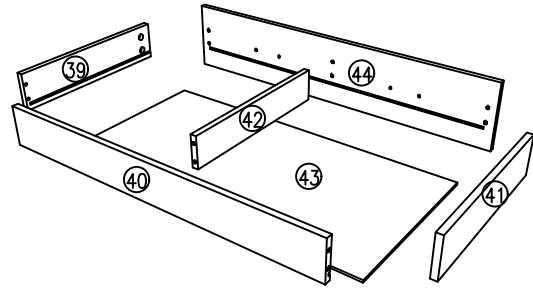


III

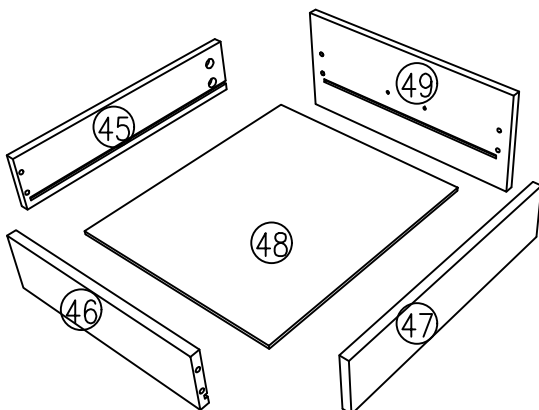
(1)x2



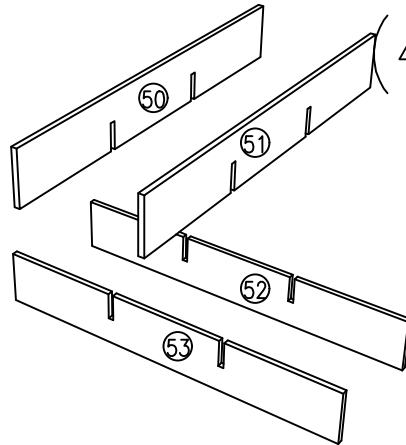
(2)x1



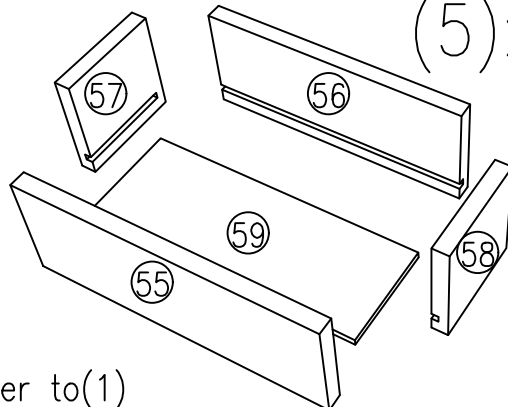
(3)x3




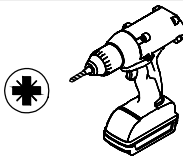
(4)x2

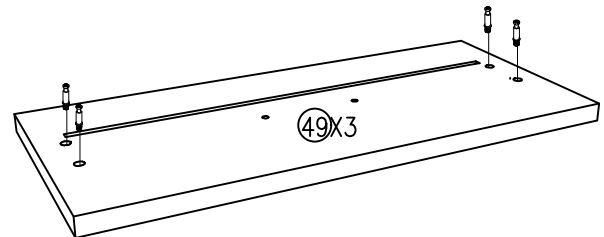
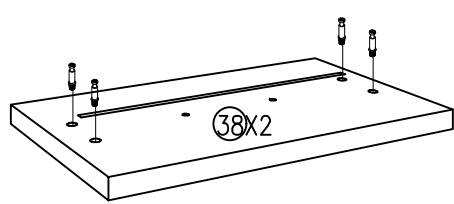


(5)x1



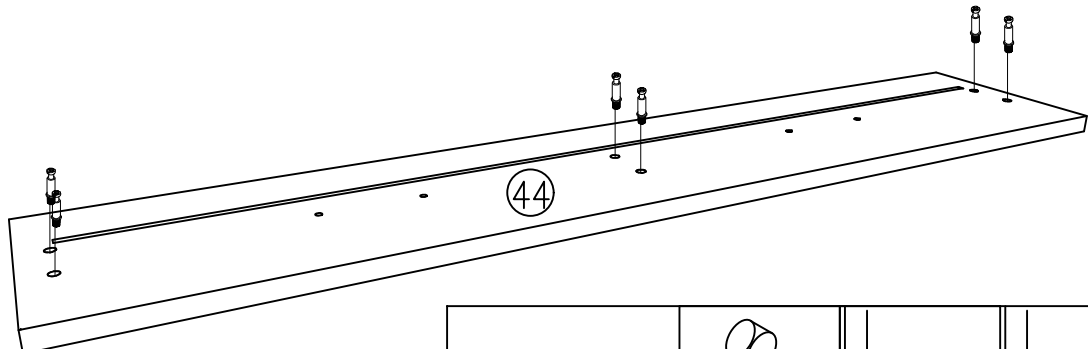
17


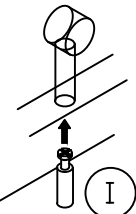
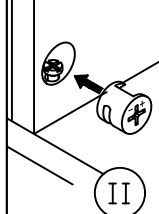
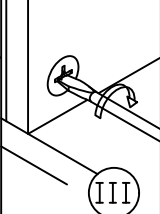
<p>B x 20</p>  <p>Ø12x10</p>	
---	---



18

<p>B x 4</p>  <p>Ø12x10</p>	
--	---



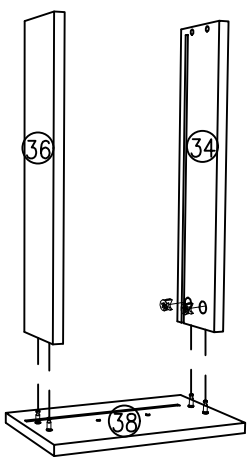
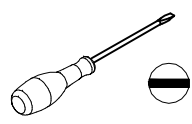
	 <p>I</p>	 <p>II</p>	 <p>III</p>
---	---	---	--

19

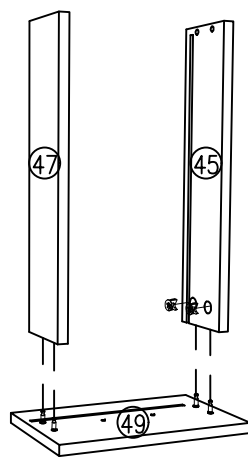
B x 20



Ø12x10



x2



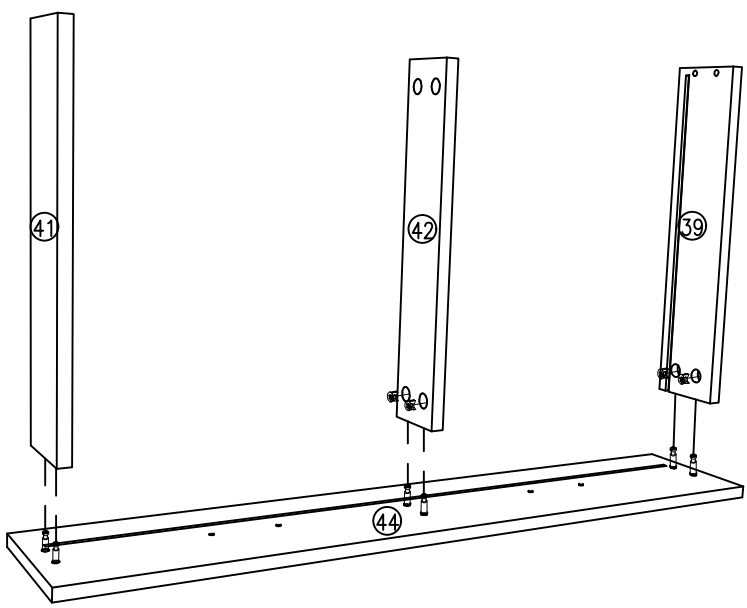
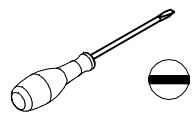
x3

20

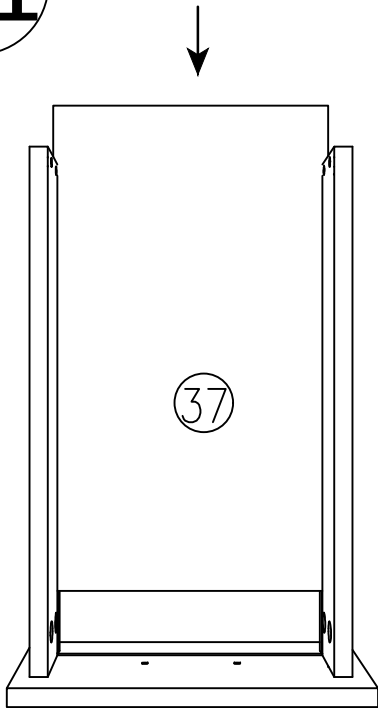
B x 6



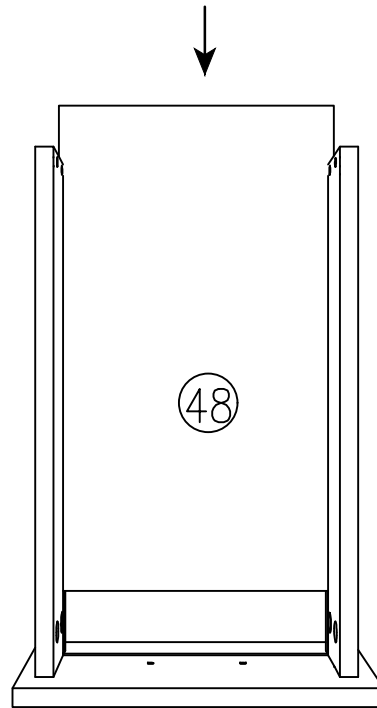
Ø12x10



21

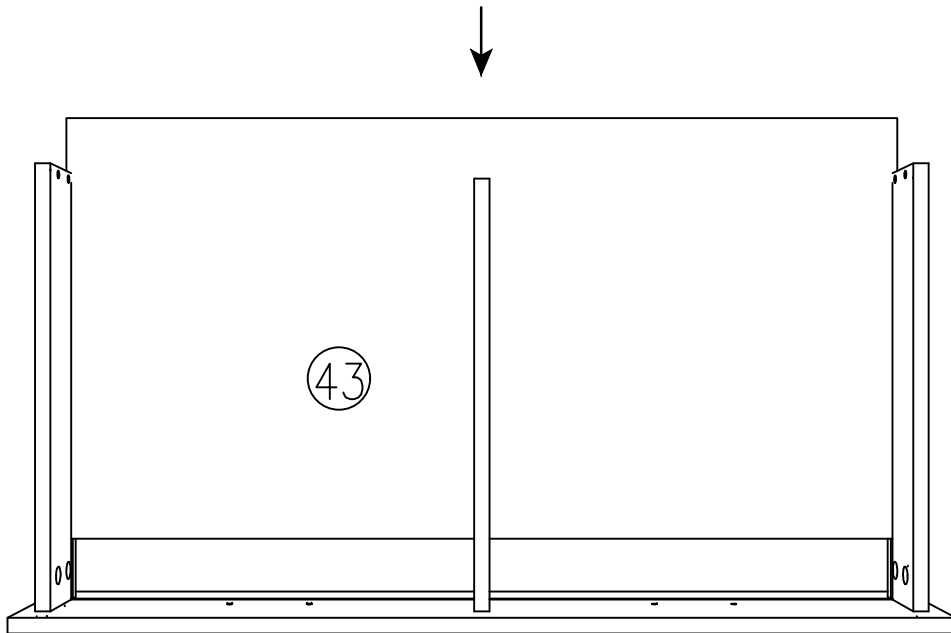


x2

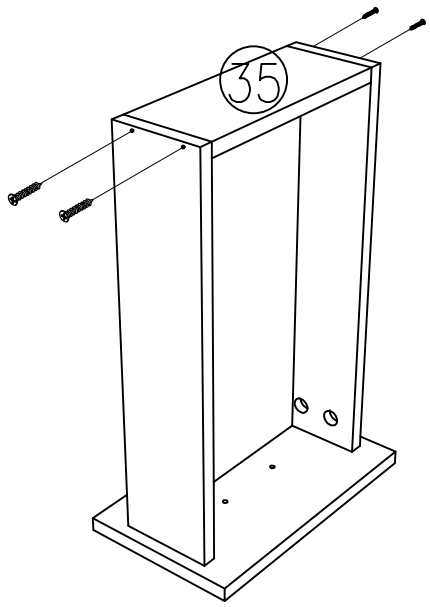
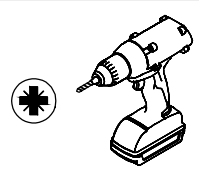
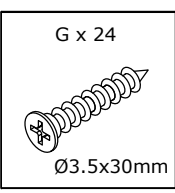


x3

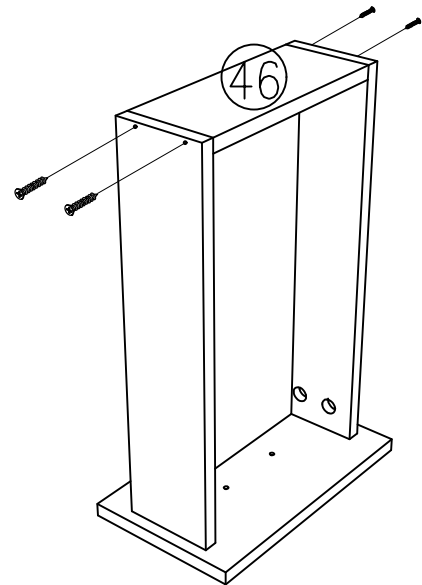
22



23

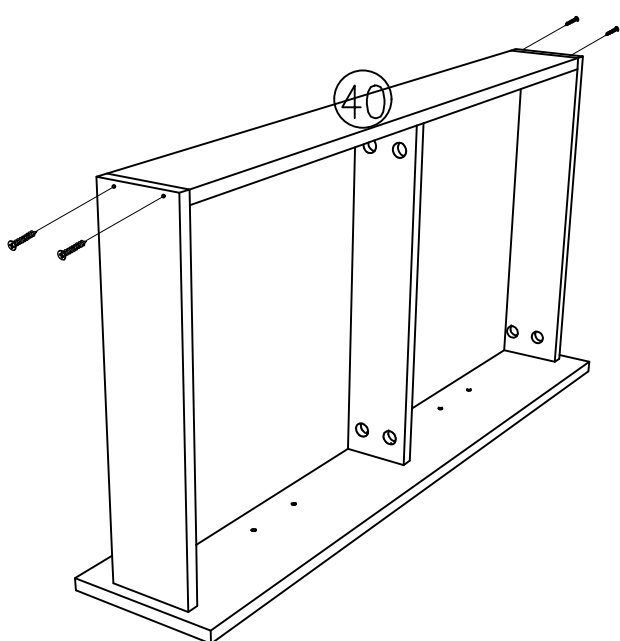
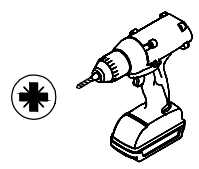
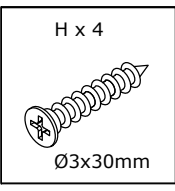


x2

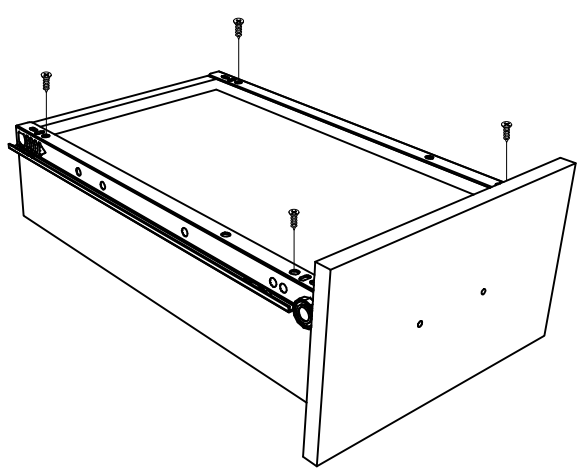
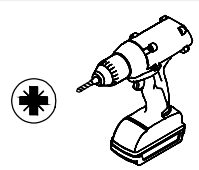
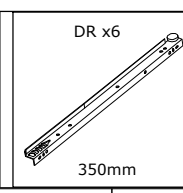
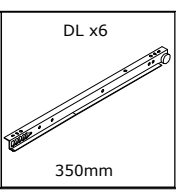
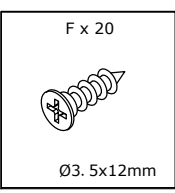


x3

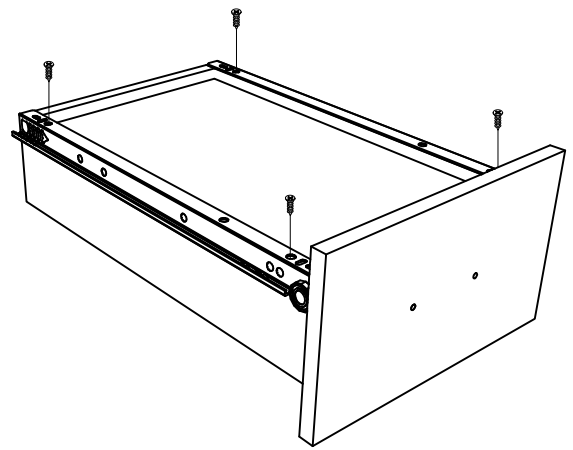
24



25

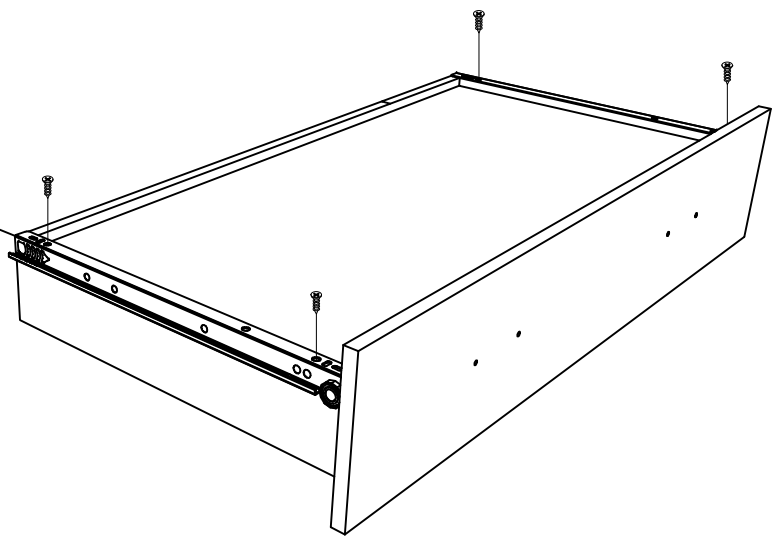
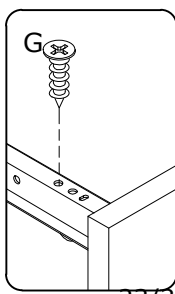
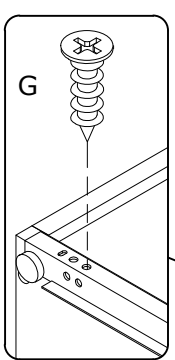
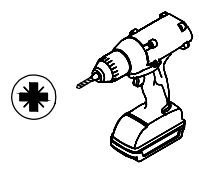
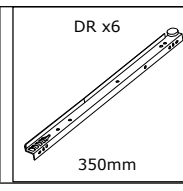
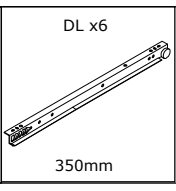
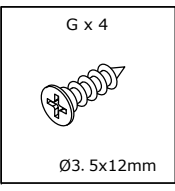


x2

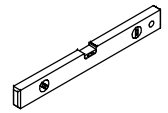


x3

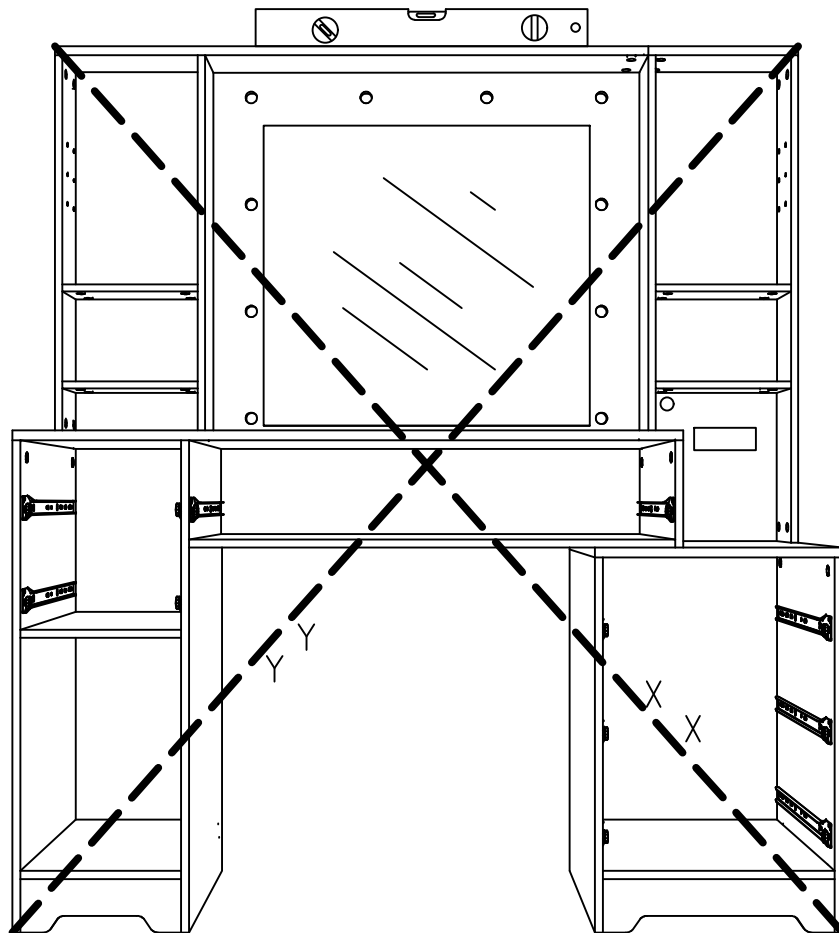
26



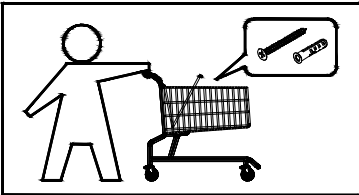
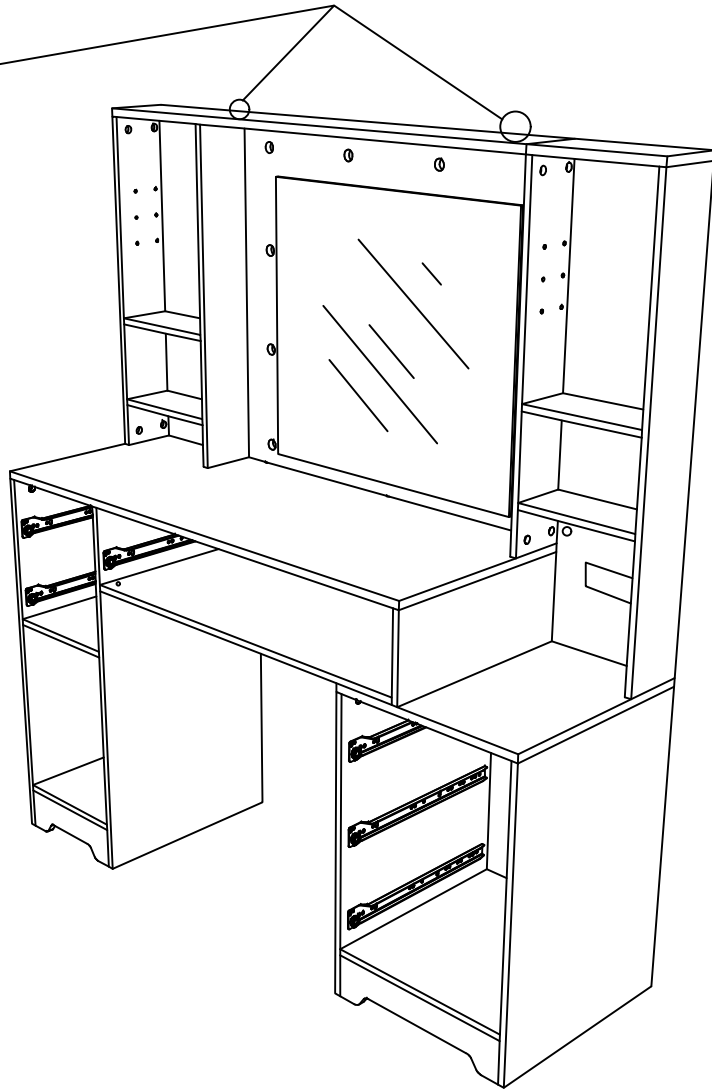
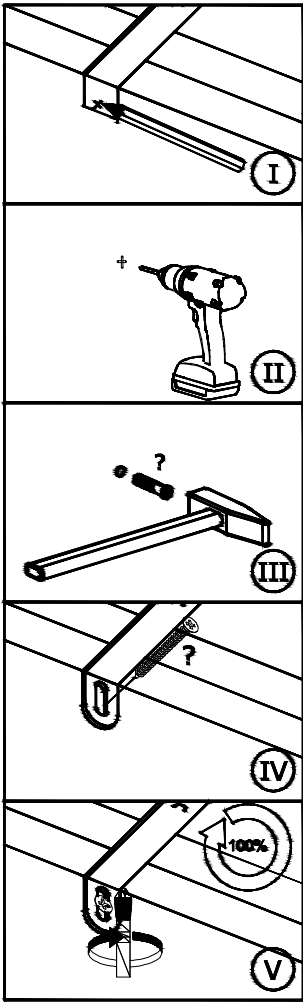
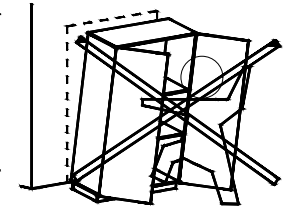
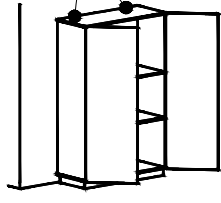
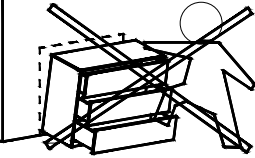
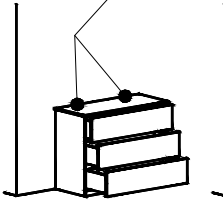
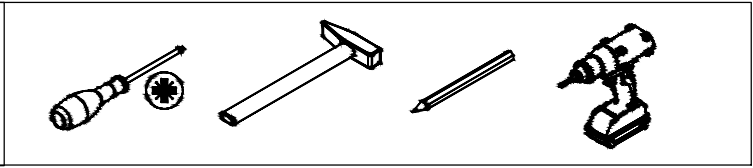
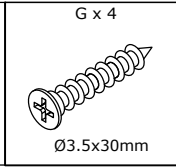
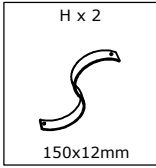
27



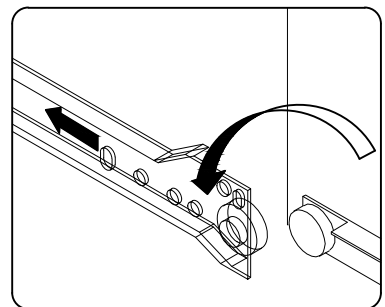
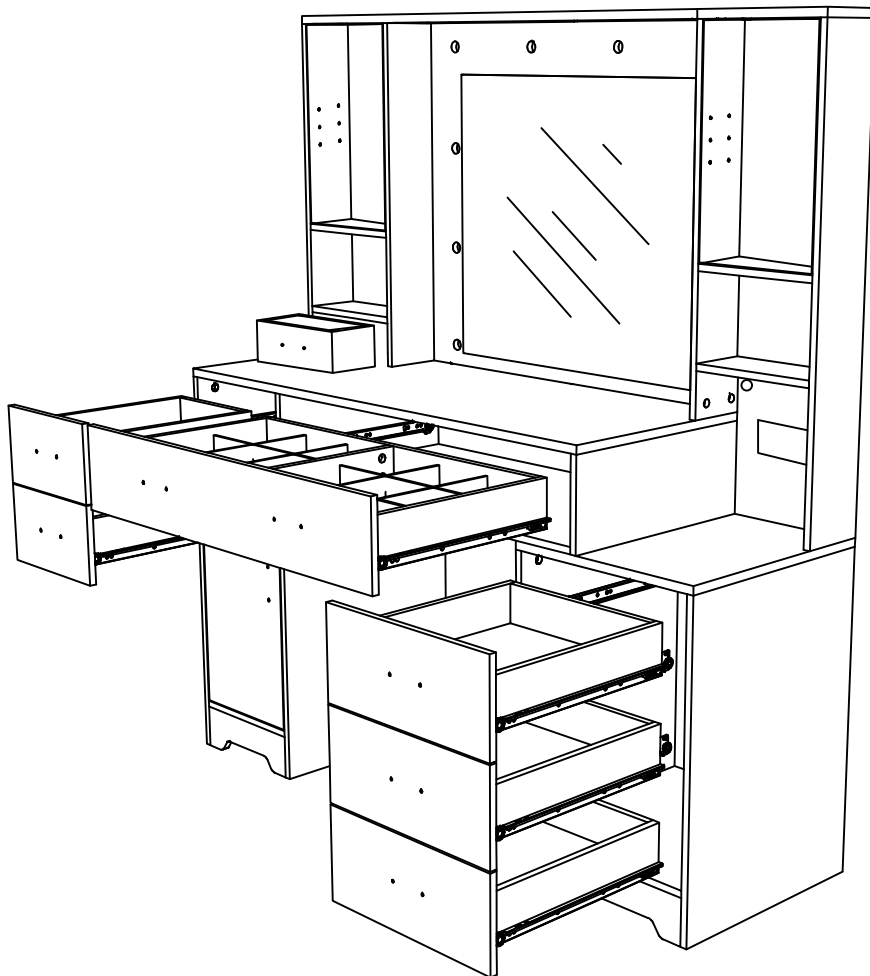
$XX=YY=90^\circ$



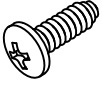
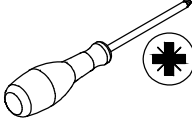
28

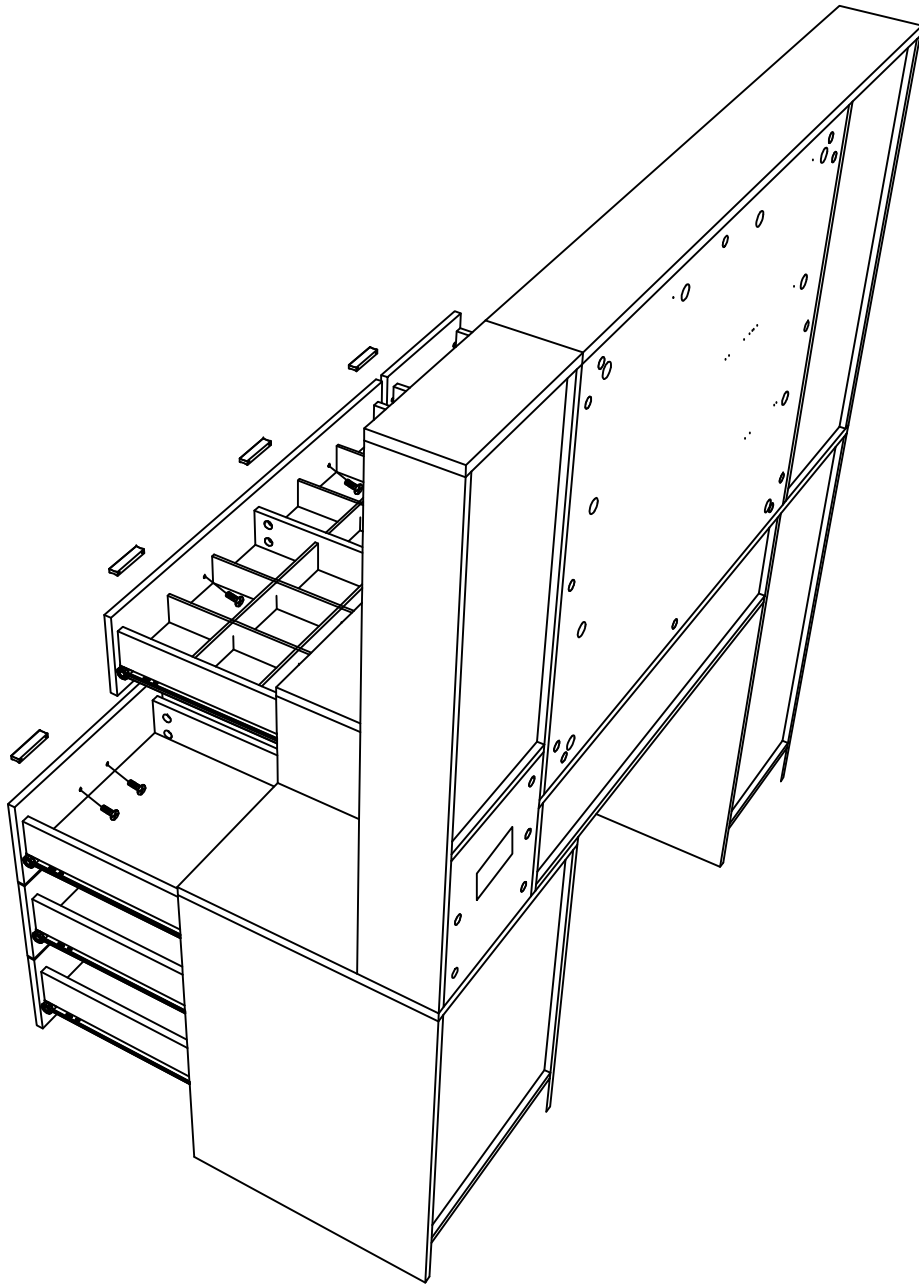


29



30

<p>I x 20</p>  <p>M3x18mm</p>	<p>Z x 10</p>  <p>64x10mm</p>	 
--	--	---

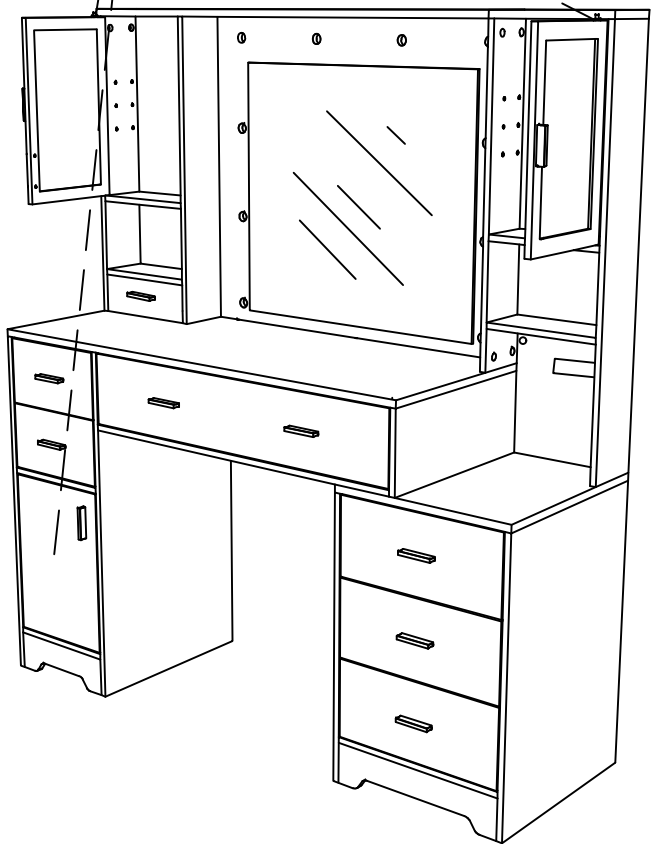
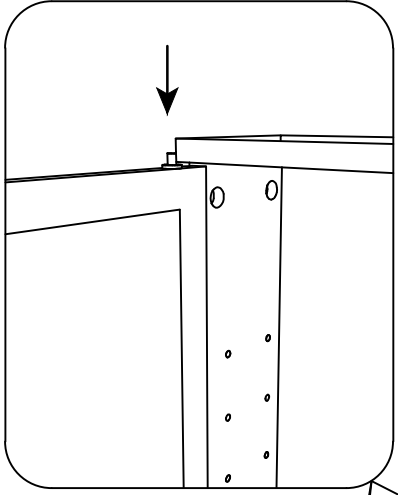


31

C x 6



M6x18mm

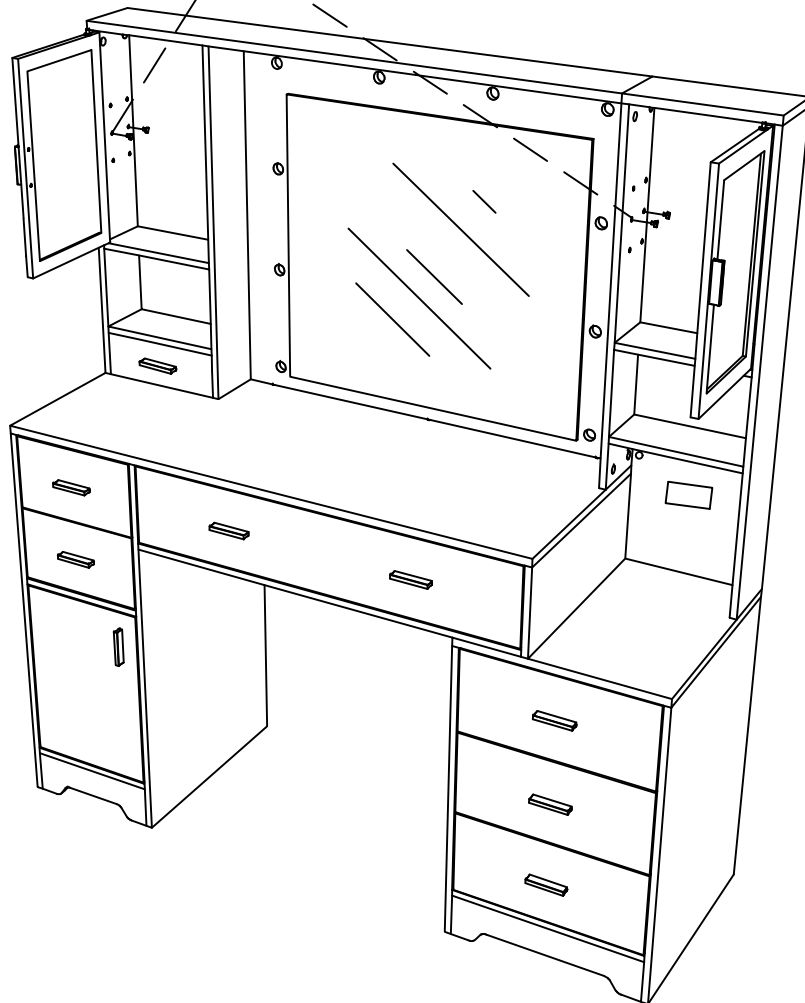
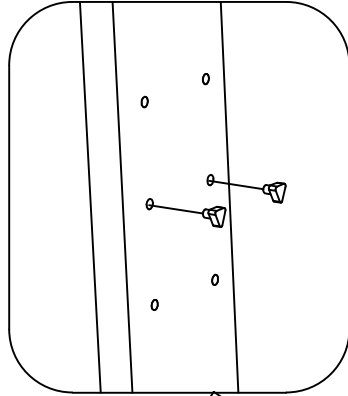


32

M x 8



10x12mm



33

L x 2

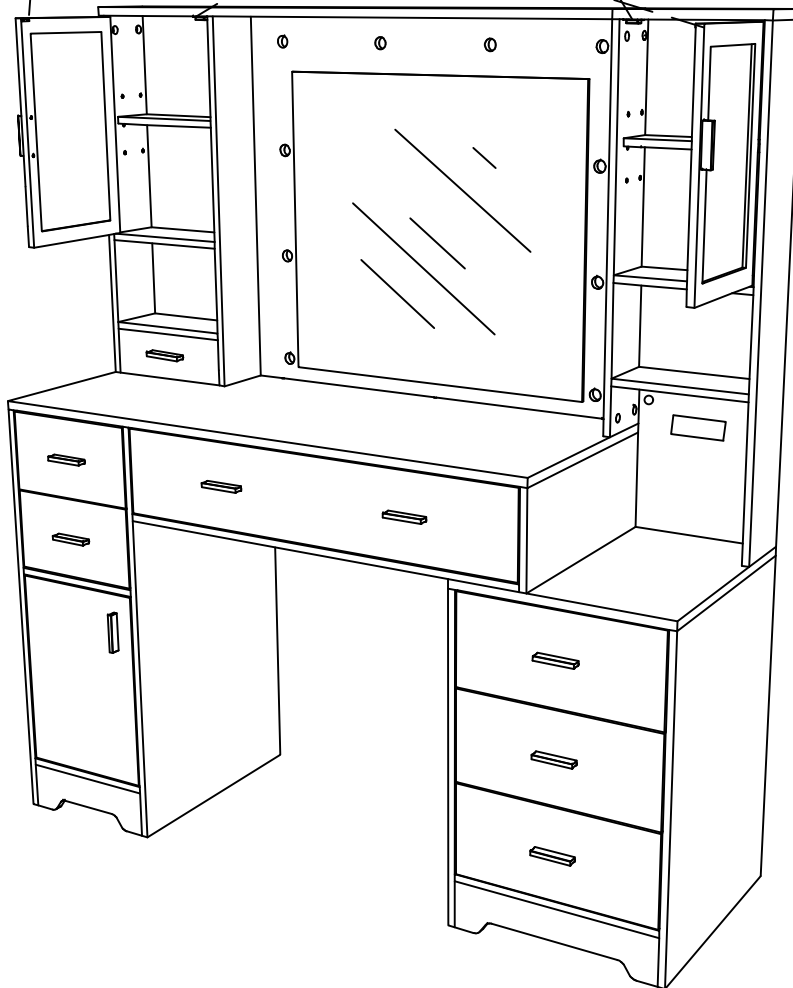
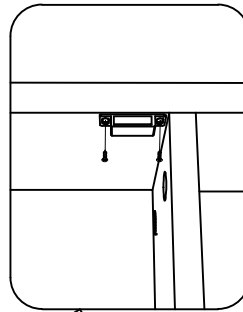
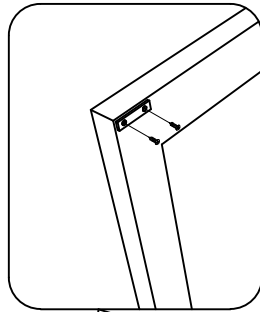
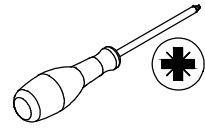


30x12mm

F x 8



Ø3.5x12mm

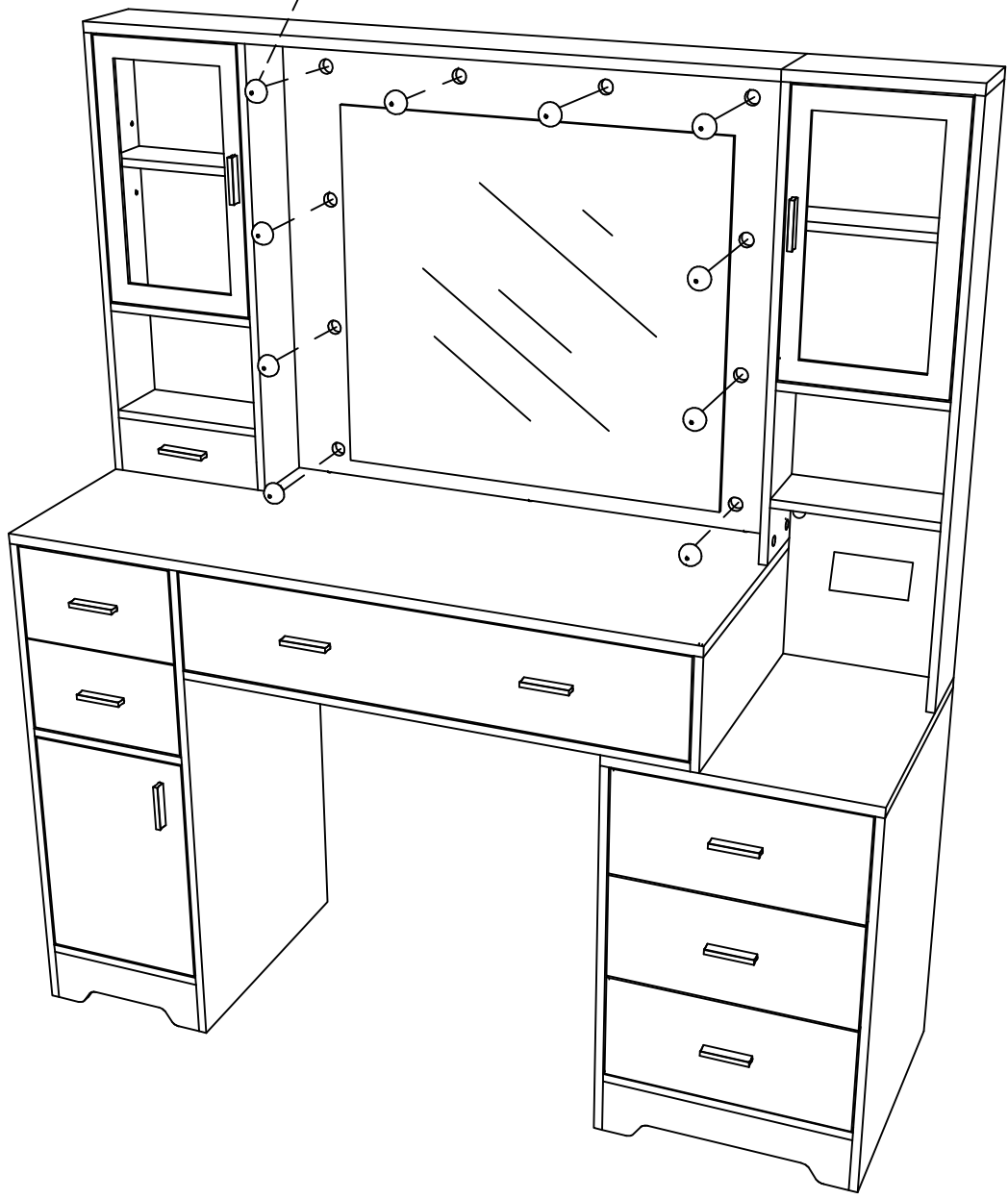
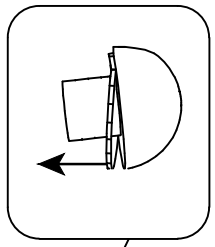
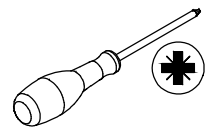


34

K x 10

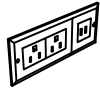


30x15mm



35

J x 1

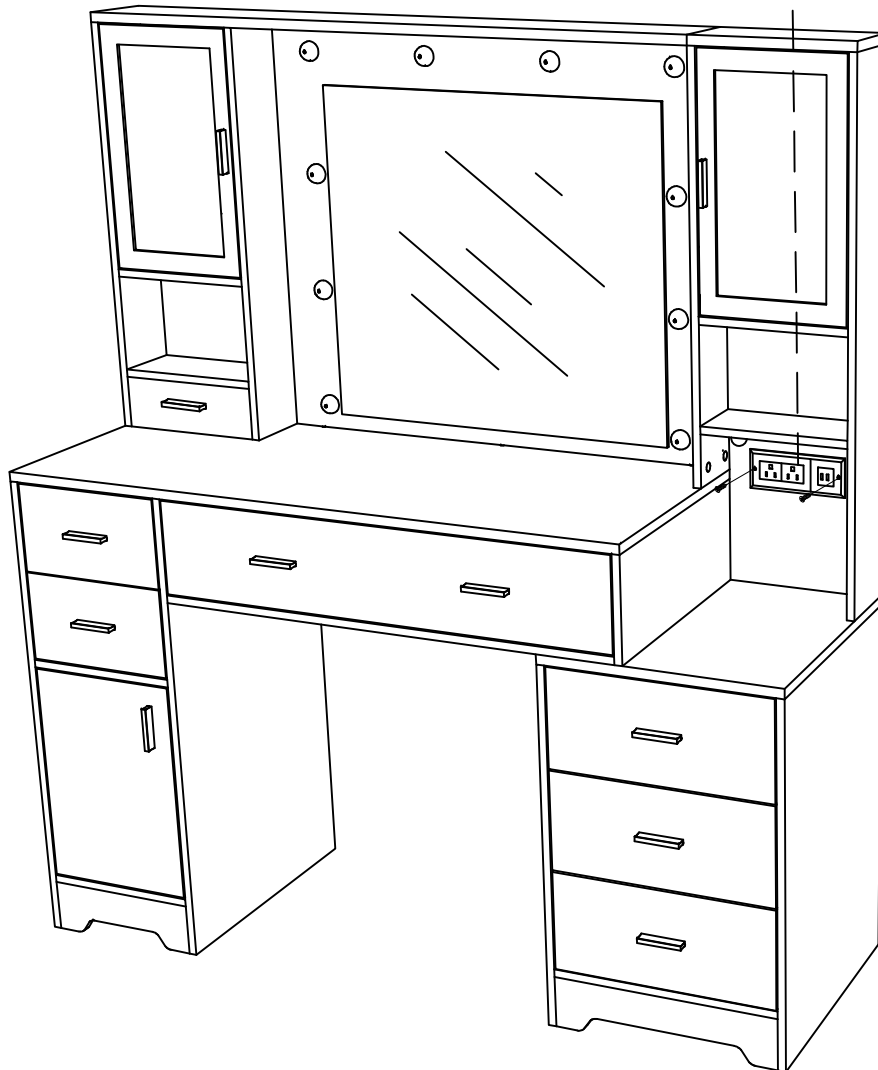
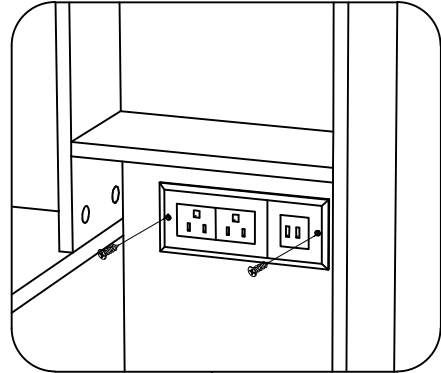
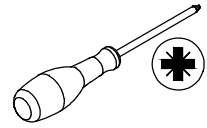


30x15mm

F x 2



Ø3.5x12mm

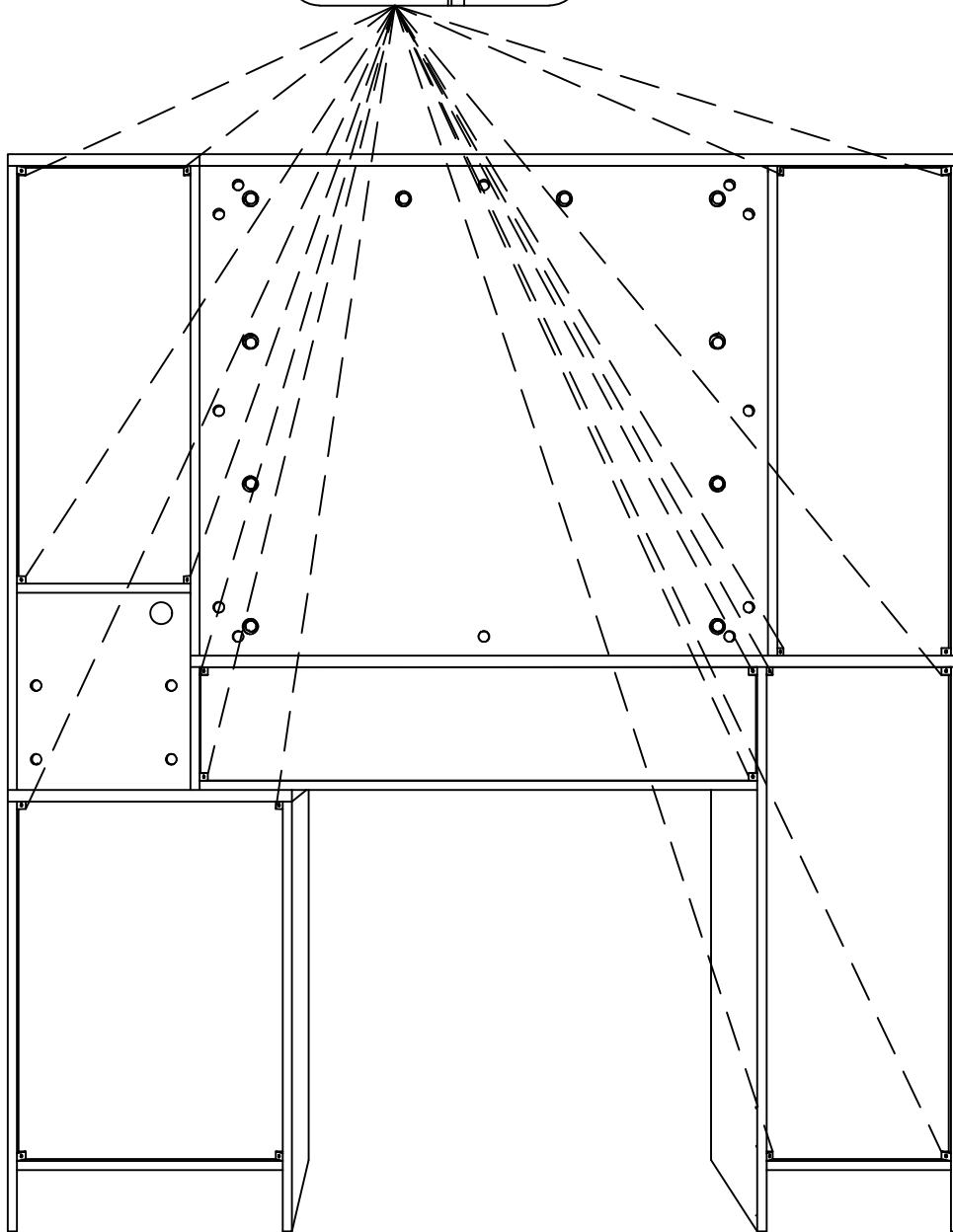
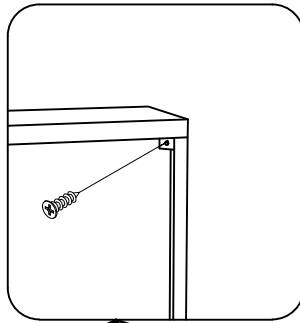
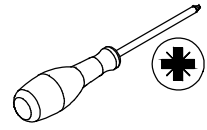


36

E x 20



10x10mm



37

