

PLEASE READ THESE INSTALLATION INSTRUCTIONS THOROUGHLY PRIOR TO INSTALLING THIS FOOT REST

IMPORTANT: THIS PRODUCT SHOULD ONLY BE INSTALLED BY QUALIFIED AND TRAINED PERSONNEL

FAILURE TO FOLLOW THESE INSTRUCTIONS COULD LEAD TO IMPROPER INSTALLATION OF THE FOOT REST, STRUCTURAL AND/OR WATER DAMAGE TO THE WALL AND IN-WALL SUPPORT STRUCTURES, AND/OR SERIOUS BODILY INJURY IN USE. IN ADDITION, ALL WARRANTIES, EXPRESS OR IMPLIED, WILL BE NULL & VOID DUE TO IMPROPER INSTALLATION OF THIS PRODUCT. SEACHROME CORPORATION DOES NOT ASSUME ANY LIABILITY FOR DAMAGE RESULTING FROM SERVICES PERFORMED BY OTHERS, OR FAULTY INSTALLATION, MISUSE OR MISAPPLICATION OF GOODS.

THE PERFORMANCE OF THIS PRODUCT IS SIGNIFICANTLY IMPACTED BY THE STRENGTH AND CONSTRUCTION OF THE WALL TO WHICH IT IS ATTACHED.

TO ASSURE PROPER AND SAFE INSTALLATION, THIS FOOT REST MUST BE INSTALLED INTO A MINIMUM 2" THICK, SOLID WOOD, IN-WALL BACKING MATERIAL. MAKE CERTAIN IN-WALL BACKING COMPLIES WITH ALL LOCAL BUILDING CODE REQUIREMENTS.

DO NOT EXCEED 50 POUNDS OF FORCE IN USE OF THIS PRODUCT.

- 1. Remove the Coronado Foot Rest (700-7004-Series) from the shipping carton.**
- 2. Locating the Coronado Foot Rest in the desired position.**

Locate and ensure the area where the foot rest is to be mounted is reinforced with 2" solid wood in-wall backing. (See Diagram 1)

Determine desired foot rest height.

Using the foot rest as a template, align the hole centerlines with the 2" solid wood in-wall backing.

Mark the center of the mounting hole slots on the mounting surface with a marking pencil/pen.

It is ***extremely important*** you mark the center of each of the two (2) mounting holes precisely on the mounting surface.

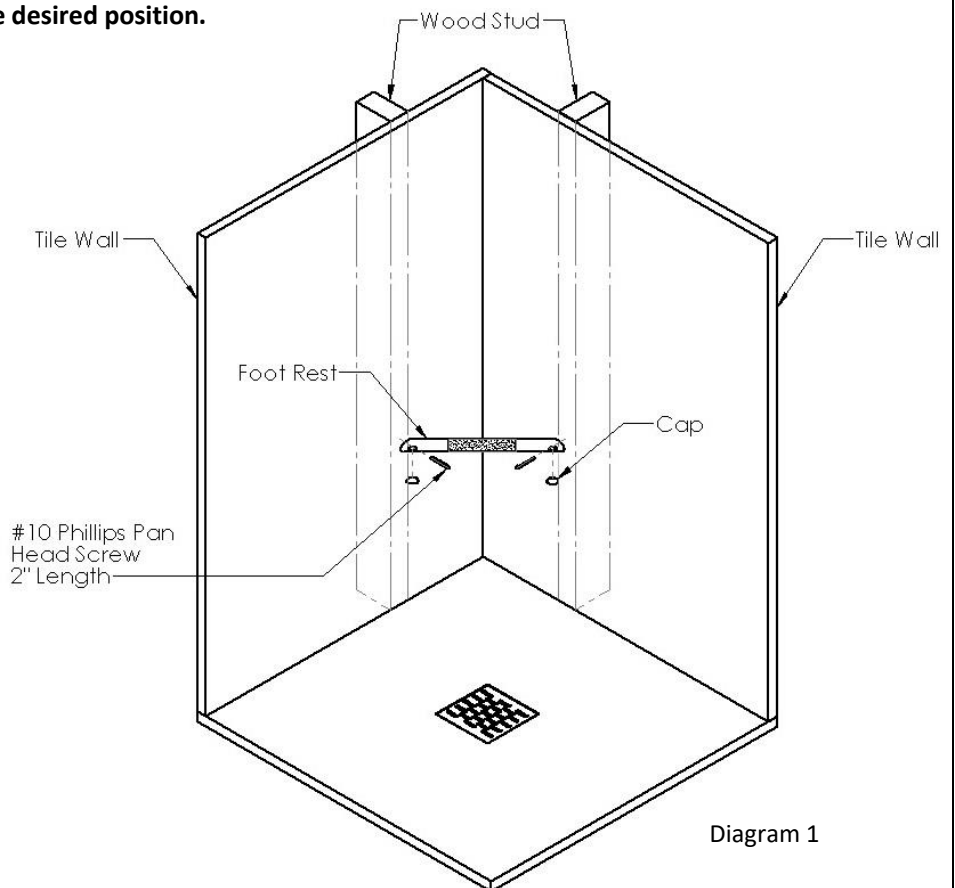


Diagram 1

Proceed cautiously through the following steps in this installation process to avoid drilling into in-wall water supply lines.

All mounting points must fasten into structural wood backing, minimum 2" thickness.

Avoid electrical and/or plumbing behind the wall, and where possible drill through tile – not through grout.

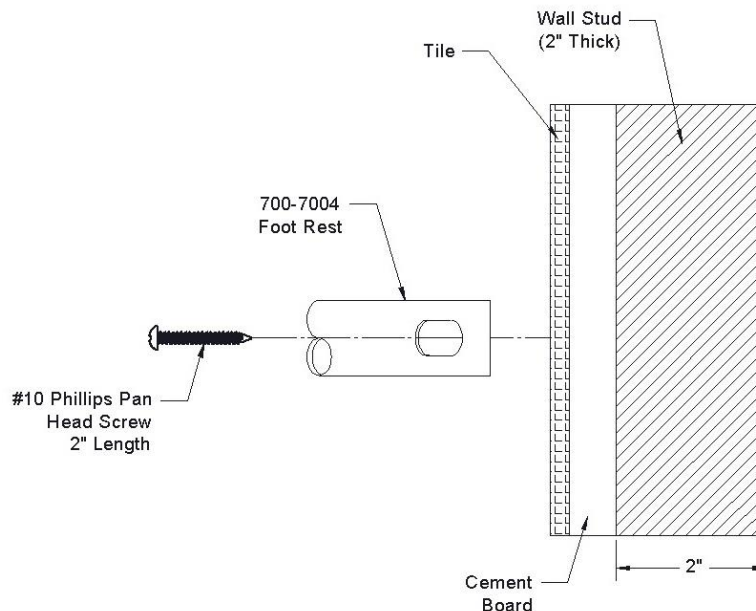
3. Mounting the Coronado Foot Rest.

Step #1

Use a power drill with a 3/32" carbide tip drill bit (not provided) and drill at the two (2) locations marked on the wall into the 2" thick solid wood in-wall backing.

Step #2

Apply a bead of silicone at each hole location to ensure a water-tight seal will be created on the mounting surface. Secure the foot rest to the wall using two (2) #10 x 2" stainless steel screws (supplied by manufacturer) and screw into the 3/32" holes created in the solid wood backing. **Tighten screws completely AFTER both screws are in place.**



4. Inserting the Coronado Foot Rest Covers

Place snap-in covers into each of the two (2) oval slots on the face of the foot rest to complete installation of the foot rest.

**To ensure proper and safe installation, the foot rest should not shift in any direction on the mounting surface.
Do NOT exceed 50 pounds of force in use of this product.**

Hardware Provided: (2) #10 Phillips Pan Head screws 2" length.

Tools required: Marking pencil/pen, level, power drill, 3/32" carbide tip drill bit, # 2 phillips driver, silicone.

THIS COMPLETES THE INSTALLATION OF THIS FOOT REST.